



LaserWriter II

LaserWriter II SC, LaserWriter II NT,
LaserWriter II NTX, LaserWriter II f, LaserWriter II g





Basics

LaserWriter II





Product Information

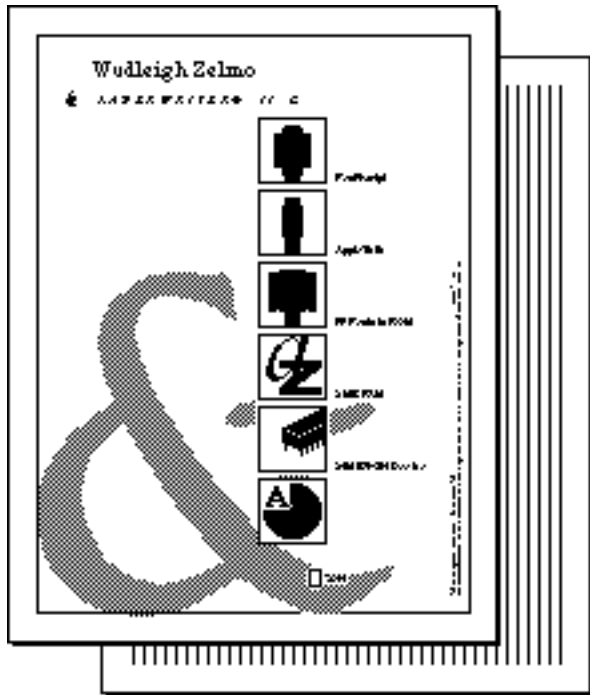
The printers covered in this manual are

- LaserWriter II SC
- LaserWriter II NT
- LaserWriter II NTX
- LaserWriter II f
- LaserWriter II g

Compatibility:

Except for I/O boards components, all parts are compatible among the five models. Refer to Illustrated Parts and Take Apart chapters for more information. Refer to “Print Engine Check” in Flowcharts for Troubleshooting information.



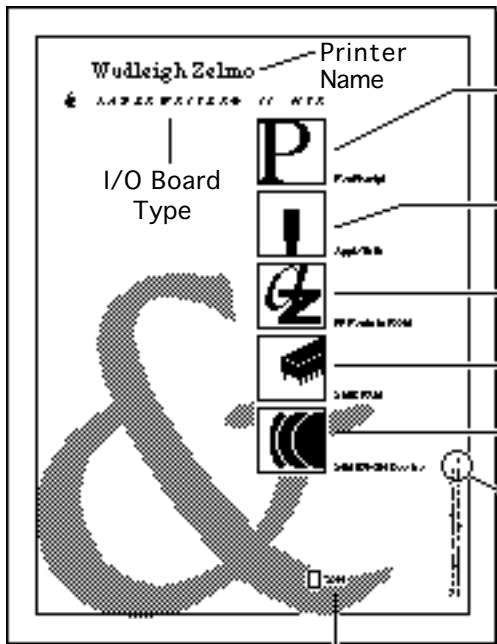


Startup Test Page

LaserWriter II printers generate a startup test page approximately 2 – 3 minutes after you switch on the printer.

Except for the IISC, the startup test page also shows unit-specific configuration information. The following pages describe each element of the startup test page.





II NT/NTX Startup Test Page

Configuration
PostScript, Diablo 630, or Hewlett Packard LaserJet Plus™ emulation (NTX only)

Communication Protocol
RS-232 serial or AppleTalk

Fonts in ROM

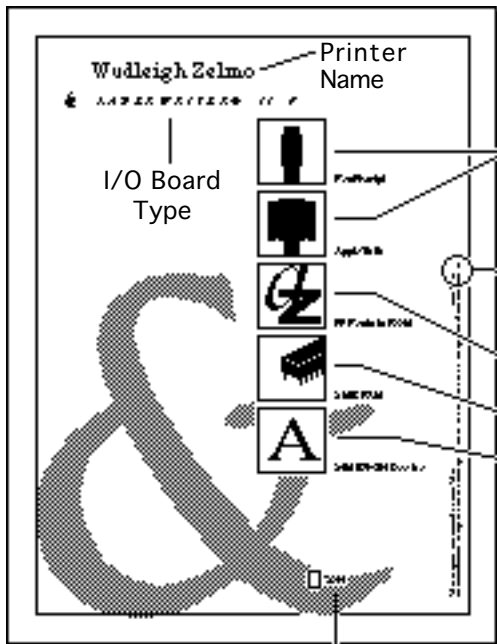
Installed RAM

Size of hard drive, if connected, and number of fonts it contains (NTX only)

Rev. 1.0
computer
Version of ROM installed

Number of pages the I/O board has produced





If Startup Test Page

Communication parameters and printer control language selected for an individual printer port

Version of ROM installed

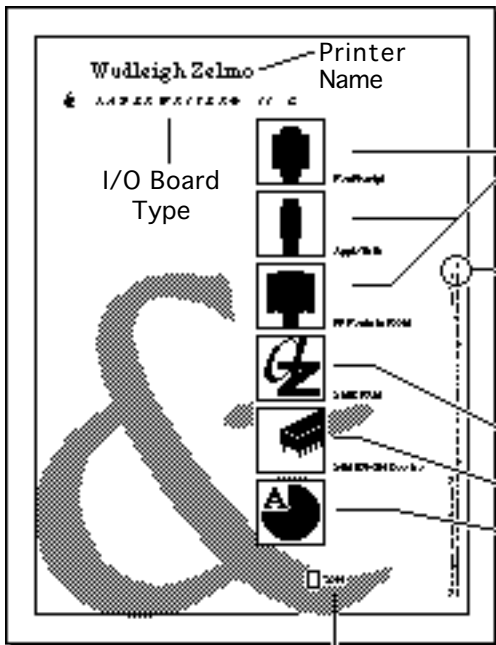
Fonts in ROM

Installed RAM

FinePrint feature enabled

Number of pages the I/O board has produced





Ilg Startup Test Page

Communication parameters and printer control language selected for an individual printer port



Version of ROM installed

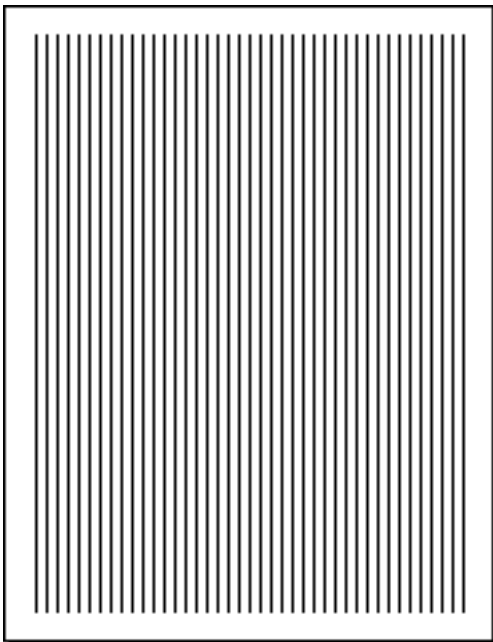
Fonts in ROM

Installed RAM

FinePrint feature enabled

Number of pages the I/O board has produced



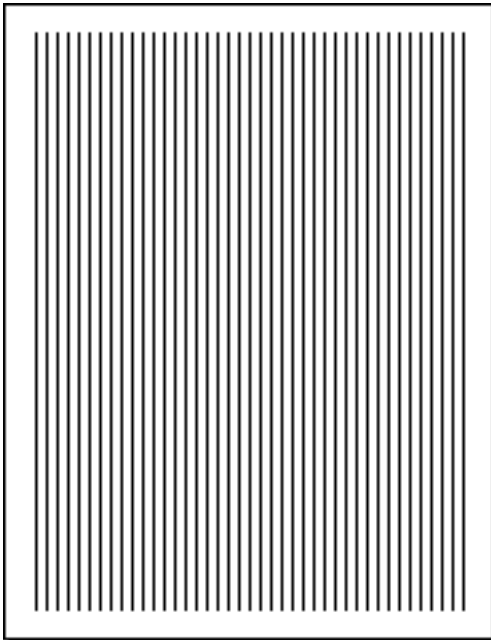


IISC Startup Test Page

The LaserWriter IISC test page consists only of vertical lines. The printer will generate a test page only if its SCSI address has been set to 7 prior to powering up.

Note: Be sure to set the SCSI address back before you resume printing.





Service Test Page

The service test page is generated by the DC controller board and serves to confirm print engine operation. To generate this test page, remove the bottom panel cap located at the rear of the printer. Insert a screwdriver or similar dowel-shaped tool through the quarter inch diameter opening and press the service test page button.





Preventive Maintenance

Before performing any preventive maintenance, be sure to do the following:

- 1 Check the page count on the startup test. If the I/O board has been replaced or upgraded, check the repair log label affixed to the bottom of the printer or consult with the customer to determine page count.
- 2 Power off and unplug the printer.
- 3 Allow the fuser assembly rollers to cool.
- 4 Prepare your work area for electrostatic discharge prevention.
- 5 Spread a drop cloth under the work area to protect the floor from grease and spilled toner.

Caution: Never use an ammonia-based cleaner on the





LaserWriter II. These cleaners can discolor the plastic.

Caution: Before servicing the fuser rollers, make sure that the printer has been off at least 5 minutes to allow the fuser assembly to cool.

The service provider should clean the following items every 12 months or during each service call.

Service Point	Tool/Solvent
Primary corona wire	Cleaning brush supplied with printer
Transfer corona wire	Cotton swab and isopropyl alcohol
Transfer guide	Cloth dampened with water
Fuser rollers	Fuser cleaning pad





Service Point	Tool/Solvent
Exterior case	Cloth dampened with water
Separation claws	Cloth dampened with alcohol
Paper guide	Cloth dampened with alcohol
Lower delivery guide	Cloth dampened with alcohol
Feeder guide	Cloth dampened with water
Registration rollers	Cloth dampened with water





Parts Replacement Schedule

Perform the following tasks every 50,000 prints:

- Replace the ozone filter
- Check upper and lower fan operation.

Replace the following parts every 100,000 prints:

- Fuser assembly
- Transfer guide assembly
- Preconditioning exposure assembly
- Paper feed roller assembly
- Transfer corona assembly

The LaserWriter II refurbishment kit (P/N 652-0597) contains one each of the parts listed above.





Specifications

LaserWriter II





General

Engine	Canon SX engine
Printing Method	Electrophotography using single-component, dry toner
Optical System	Semiconductor laser and a rotating six-faced prism scanning mirror
Resolution	300 dpi
Imaging Languages Supported	SC: QuickDraw NT: PostScript and a subset of the Diablo 630 printer NTX/NTX-J: PostScript, a subset of the Diablo 630 printer, and a subset of the Hewlett-Packard LaserJet Plus





f/g: PostScript Level 1 and 2 and HP LaserJet IIP (HP PCL4)

Note: NTX-J does not support emulation mode.





Intro Dates

SC, NT, and NTX

July 1990

IIf and IIg

October 1991





Logic Board

CPU

SC: Motorola 68000 microprocessor (7.45 MHz)

NT: Motorola 68000 microprocessor (11.16 MHz)

NTX/NTX-J: Motorola 68020 microprocessor (16.67 MHz)

f: Motorola 68030 microprocessor (20.0 MHz)

g: Motorola 68030 microprocessor (25.0 MHz)

DRAM

SC: 1 MB

NT: 2 MB

NTX: 2 MB, expandable to 12 MB

NTX-J: 4 MB, expandable to 12 MB

f: 2 MB/5MB, expandable to 32 MB

g: 5 MB/8MB, expandable to 32 MB



**ROM**

SC: 16 KB

NT: 1 MB

NTX/NTX-J: 1 MB, expandable to 8 MB on expansion board

f: 2 MB standard; ROM expansion slot provided

g: 2 MB standard; ROM expansion slot provided

I/O

SC: SCSI, Apple Desktop Bus (ADB)

NT: RS-232/422, LocalTalk, ADB

NTX/NTX-J: RS-232/422, LocalTalk, SCSI, ADB

f: RS-232/422; LocalTalk; SCSI

g: RS-232/422; LocalTalk; SCSI; Ethernet





Performance

Printing Speed

8 pages per minute (all paper sizes except legal)

7 pages per minute (legal size)

Note: Actual performance depends on the application.

Duty Cycle

No limit in pages per month

Minimum Life Expectancy

300,000 pages

Major Service Interval

100,000 copies





Printable Area

All measurements are in inches:

SC

US Letter : 8.00 by 10.60

Legal: 6.72 by 12.50

A4: 8.00 by 11.27

B5: 6.67 by 9.43

#10 Envelopes: 3.84 by 9.10

NT, NTX, and NTX-J

US Letter : 8.00 by 10.78

Legal: 8.00 by 13.78

A4: 7.79 by 11.08

B5: 6.45 by 9.76

#10 Envelopes: 3.84 by 9.10





II f

US Letter : 8.11 by 10.79

Legal: 8.00 by 10.78 (Maximum printable area with 2 MB of RAM. Prints up to 8.00 x 13.78 with 5 MB of RAM. Prints up to 8.00 x 13.78 using PhotoGrade with 8 MB of RAM.)

A4: 7.89 by 11.44

B5: 6.72 by 9.81

#10 Envelopes: 3.84 by 9.10

II g

US Letter : 8.11 by 10.79

Legal: 8.11 by 13.79 (Legal-size documents require 8 MB of RAM to print with PhotoGrade.)

A4: 7.89 by 11.44

B5: 6.72 by 9.81

#10 Envelopes: 3.84 by 9.10





Paper

Paper Weights

Cassette feed:16-24 lb., single-sheet, photocopy bond
Manual feed:16-36 lb., letterhead and colored stock, standard-weight transparency material, envelopes, and labels

Cassette Sizes

US letter standard; legal, A4, B5, and envelope cassettes optional

Cassette:200 sheets Manual: single sheets

Envelope cassette:15 envelopes

Face-down tray:100 sheets Face-up tray:20 sheets

Capacity In

Use manual feed for letterhead, colored stock, standard-weight transparency material, and labels.





Built-In Fonts

SC

Times, Helvetica, Courier, and Symbol

NT, NTX, NTX-J

Times, Helvetica, Helvetica Narrow, Courier, Symbol, Palatino, ITC Avant Garde, ITC Bookman, New Century Schoolbook, ITC Zapf Chancery, and ITC Zapf Dingbats

II_f, II_g

Times, Helvetica, Helvetica Narrow, Courier, Symbol, Palatino, ITC Avant Garde, ITC Bookman, New Century Schoolbook, ITC Zapf Chancery, ITC Zapf Dingbats, and Emulator.

Note: Built-in fonts can be expanded using an optional font expansion board. All LaserWriter II printers support TrueType when using LaserWriter driver 6.1 or greater.





Environmental

Temperature

Operating: 50–90.5°F (10–33°C)

Storage: 38–95° F (3–35°C)

Humidity

Operating: 20-80% relative humidity

Storage: 10-80% relative humidity

Printing: Under 60 dB(A)

Standby: Under 50 dB(A)





Electrical

Line Voltage

US/Japan:100-115 V, 50-60 Hz

Europe/Australia:220-240 V, 50 Hz

Power Consumption

Standby:

170 W (average)

Operating:

900 W maximum (115 V)

780 W maximum (220 V)

880 W maximum (240 V)





Physical

Dimensions

Width: 20 in. (51 cm)

Depth: 18.9 in. (48 cm)

Height: 8.5 in. (21.6 cm)

Weight

46 lb. (21 kg)





Troubleshooting

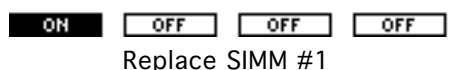
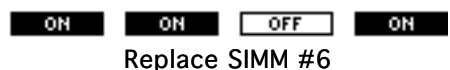
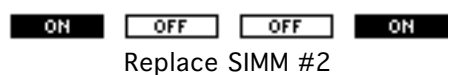
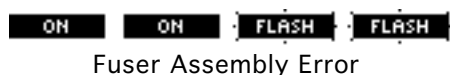
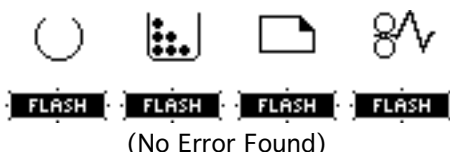
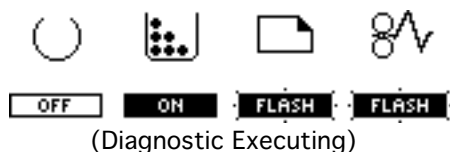
LaserWriter II





IIf/IIg Diagnostic

Set the rotary switch on the back of the printer to 4 and connect the LaserWriter II Test Connector to the DB-25 serial port (or simply jumper pins 4 and 22). Switch on the printer. Under normal conditions, LEDs should flash during startup, and then fix on the “diagnostic executing” configuration for about 2 minutes. If no error is found, all LEDs flash and a page prints. If the LEDs indicate an error, go to the appropriate topic in Flowcharts.



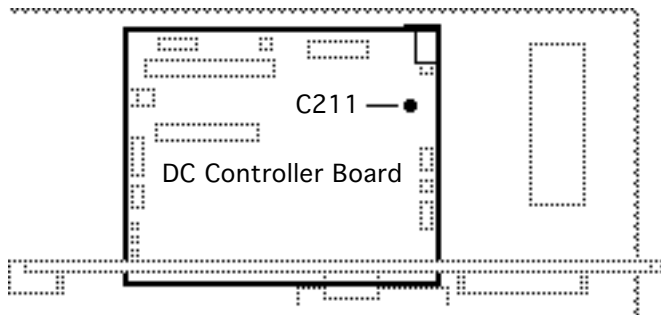
After running this diagnostic, switch off the printer, remove the Test Connector, and reset the rotary switch to its original setting.





Capacitor Discharge

When there is a failure of the fusing system, the DC controller board shuts off current to the fuser roller heater and charges capacitor C211 to prevent overheating. If there is a failure of the fusing system, you must turn the power off for about 30 minutes or manually discharge the capacitor before switching power back on.



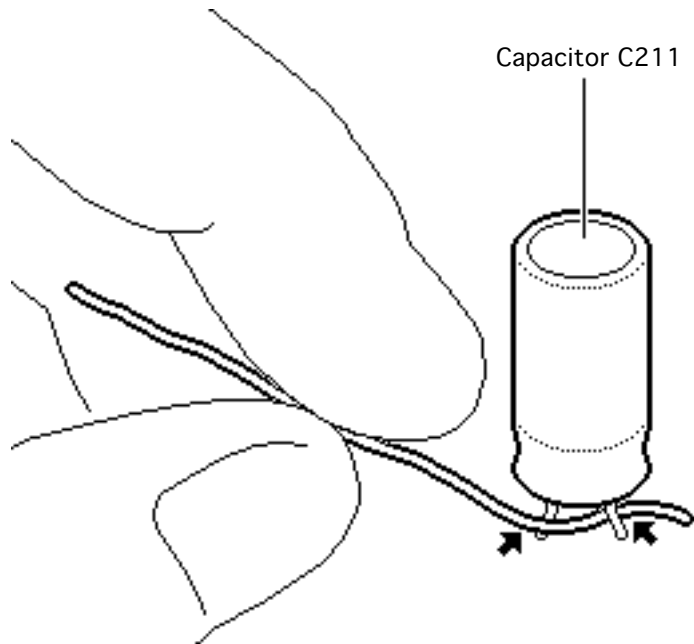


Switch off and unplug the printer, and remove the bottom panel and lower cover. Locate capacitor C211 on the DC controller board. Carefully jumper the two wires at the base of the capacitor using some kind of conductive tool, as shown on the next page.

Caution: Take care not to damage the board tracings or the components neighboring the capacitor.

Note: There are many different tools that can be used to discharge the capacitor: a flat blade screwdriver, paper clip, or aluminum foil doubled over. The tool illustrated is a length of lead solder. It has the advantage of being ductile and is less apt to damage the controller board.







Controller Board Readings

Voltage readings on the Canon SX engine controller board are difficult to make and require accessing the underside of the printer.

Rest the printer on the I/O board rails with the rear side facing you and the near rail at the front edge of your work surface. If you need to elevate the printer to get clearer access to the DC controller board, use the bottom panel and lower cover.



Caution: The printer must be in an upright position during a print cycle or while the clamshell is open.

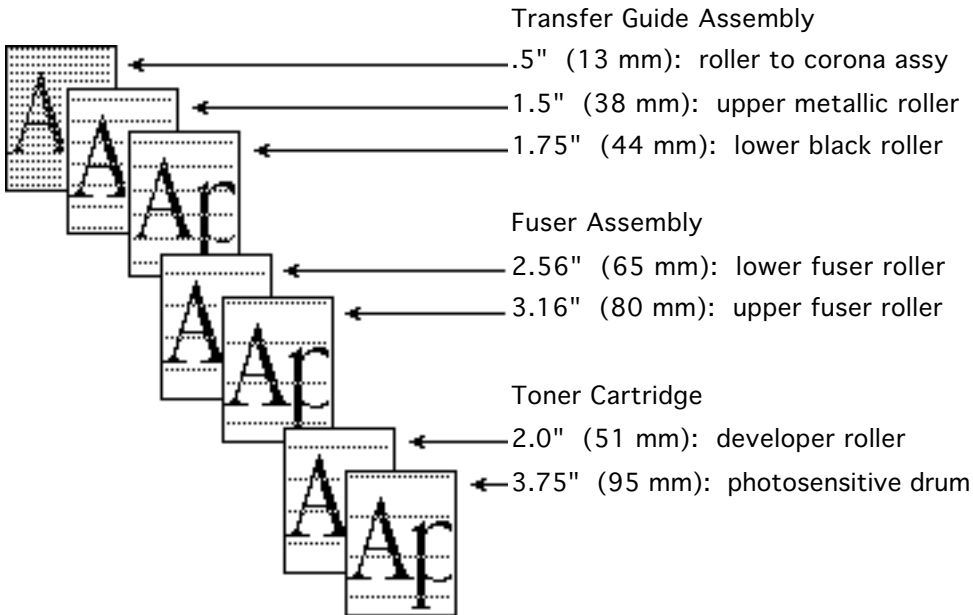




Roller Diameters

Repetitive printing defects can often be isolated by measuring the tracking left by rollers. On the next page is a diagram that shows all the rollers in the LaserWriter II that come into contact with paper. The dimension given is the distance between tracks.







Drum Check

Interrupting a print cycle and inspecting the photosensitive drum can help isolate the cause of print quality problems. If the image on the surface of the drum exhibits the same problem as the printed page, the fault is before the drum, probably somewhere in the scanning system. If the image on the drum is okay, the fault is after the drum, probably in the fuser assembly, transfer corona, or high-voltage power supply.



Note: Refer to “Roller Diameters” in this chapter for further quick-check troubleshooting tips.



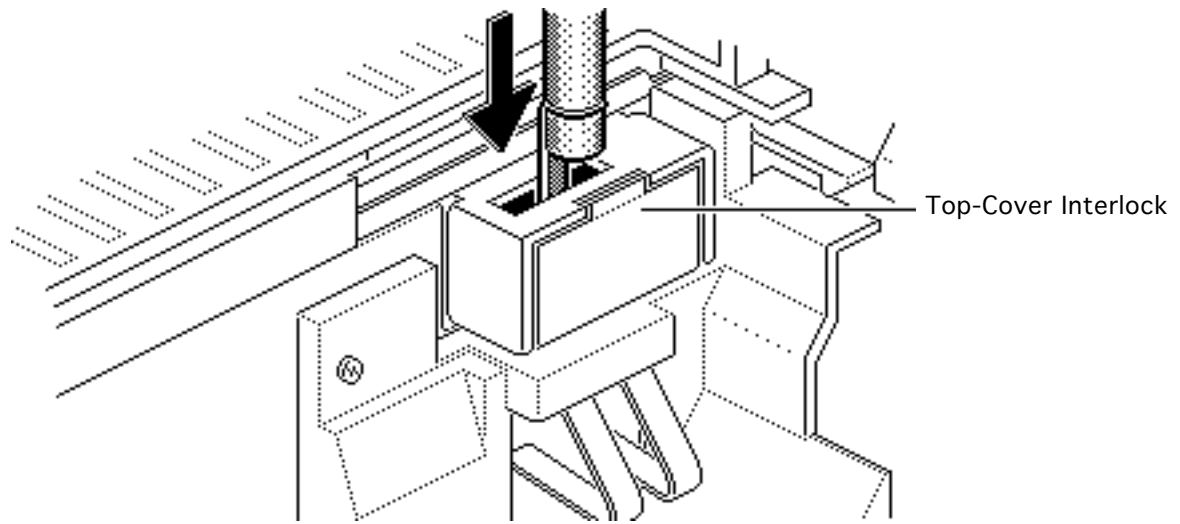


Top-Cover Interlock

Defeating the top-cover interlock simulates a clamshell-shut condition and is required in certain troubleshooting procedures.

You defeat this interlock by lodging a stiff, non-metallic insert into the interlock switch. A plastic ball-point pen cap or folded index card works well.







Circuit Board Diagrams

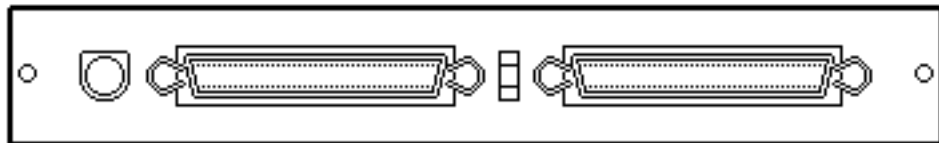
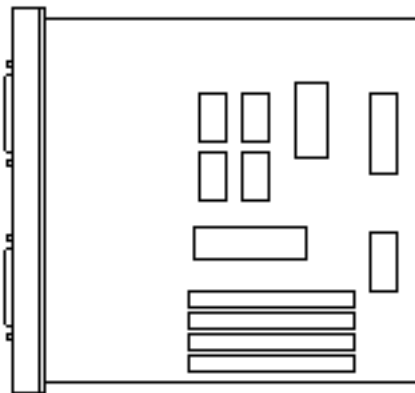
On the following pages are diagrams of the circuit boards and high-voltage contacts listed below:

- LaserWriter IISC I/O board
- LaserWriter IINT I/O board
- LaserWriter IINTX I/O board
- LaserWriter IIf I/O board
- LaserWriter IIg board
- DC controller board
- Distribution board
- High-voltage contact
- Fuser board





LaserWriter IISC
I/O Board



ADB

SCSI

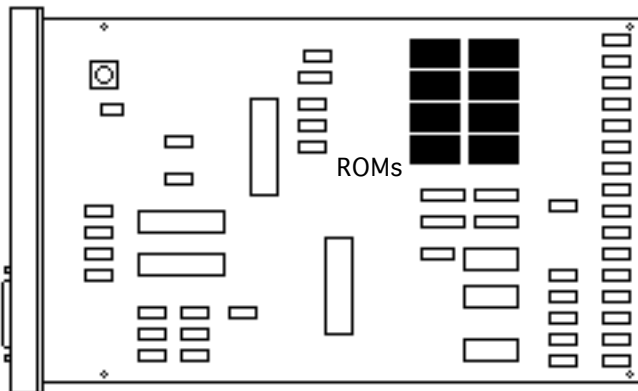
SCSI
Switch

SCSI





LaserWriter IINT
I/O Board



ADB

DIP
Switches

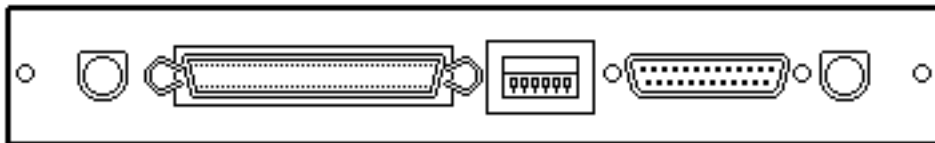
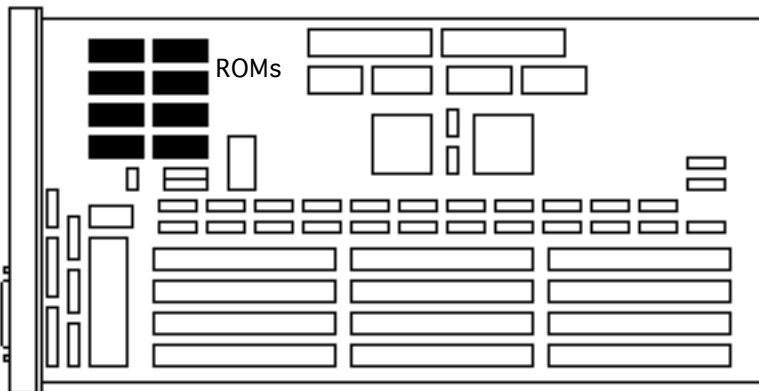
RS-232
RS-422

LocalTalk





LaserWriter IINTX
I/O Board



ADB

SCSI

DIP
Switches

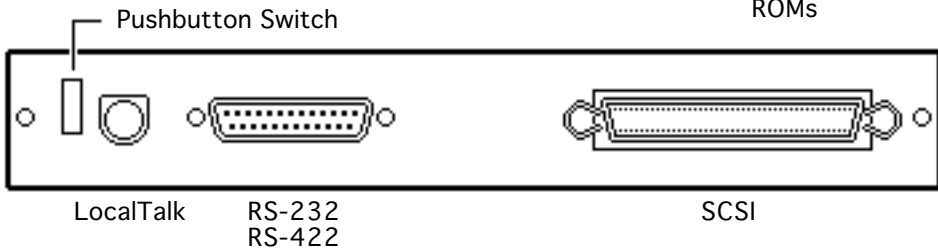
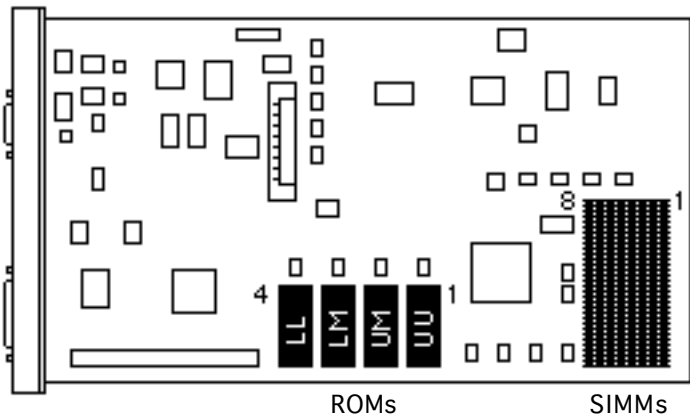
RS-232
RS-422

LocalTalk



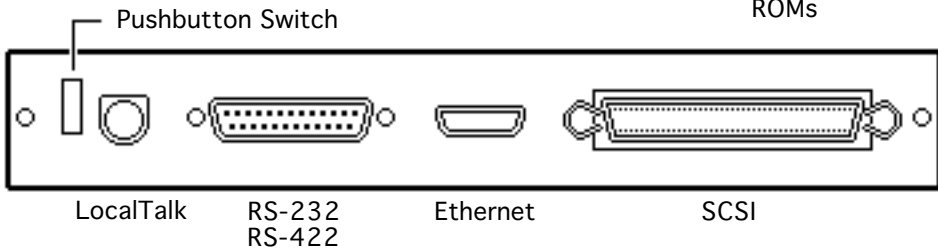
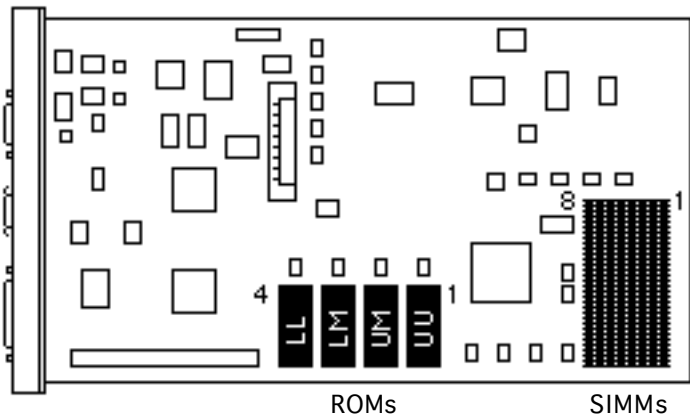


LaserWriter II^f
I/O Board



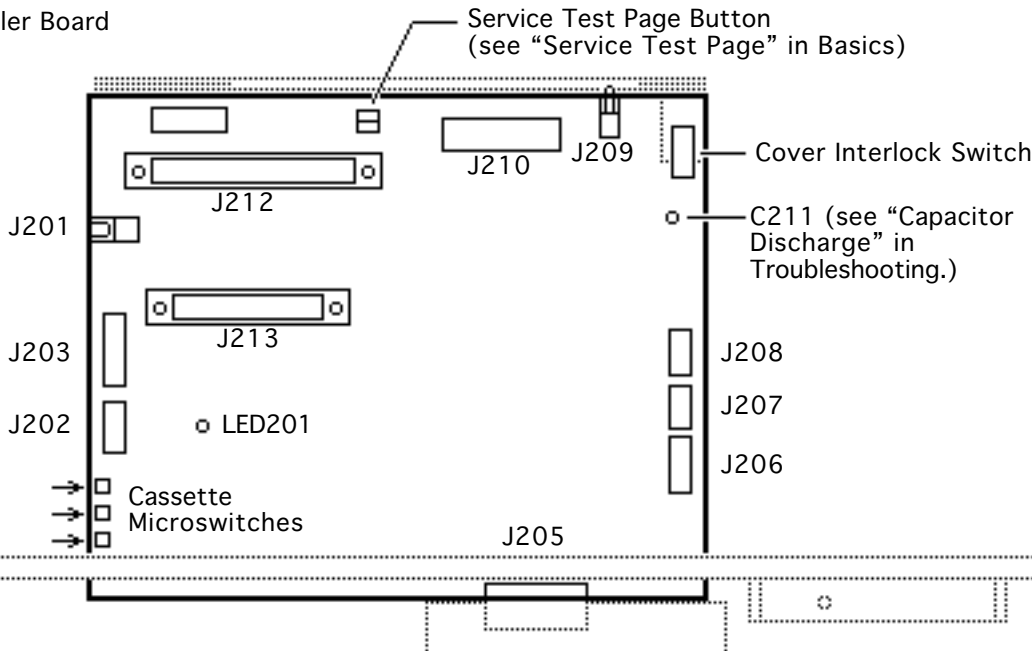


LaserWriter IIg
I/O Board



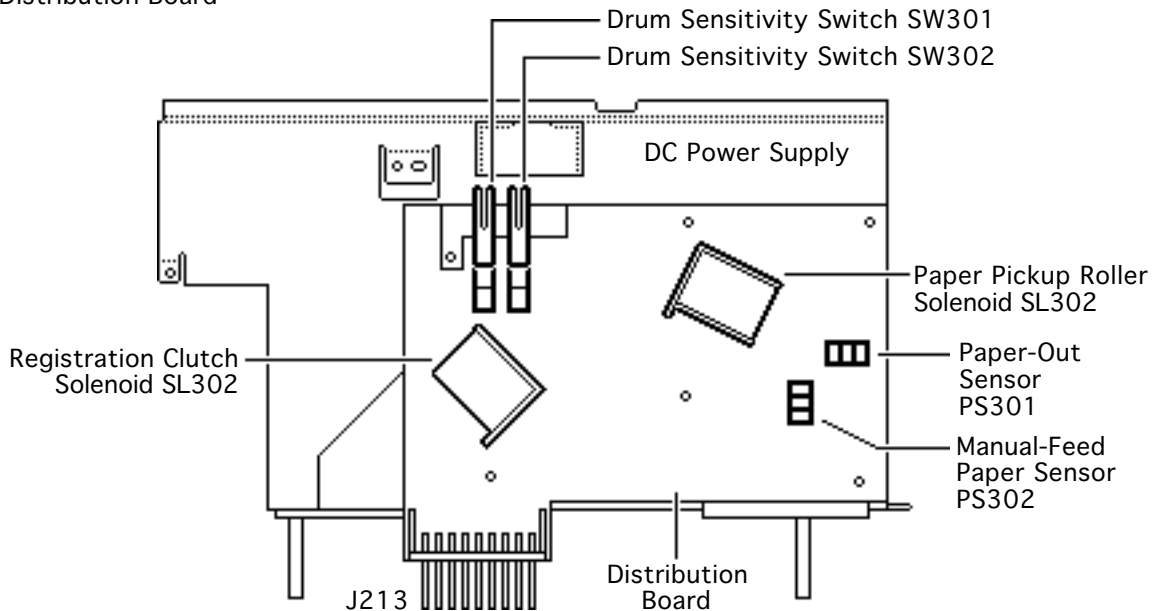


DC Controller Board



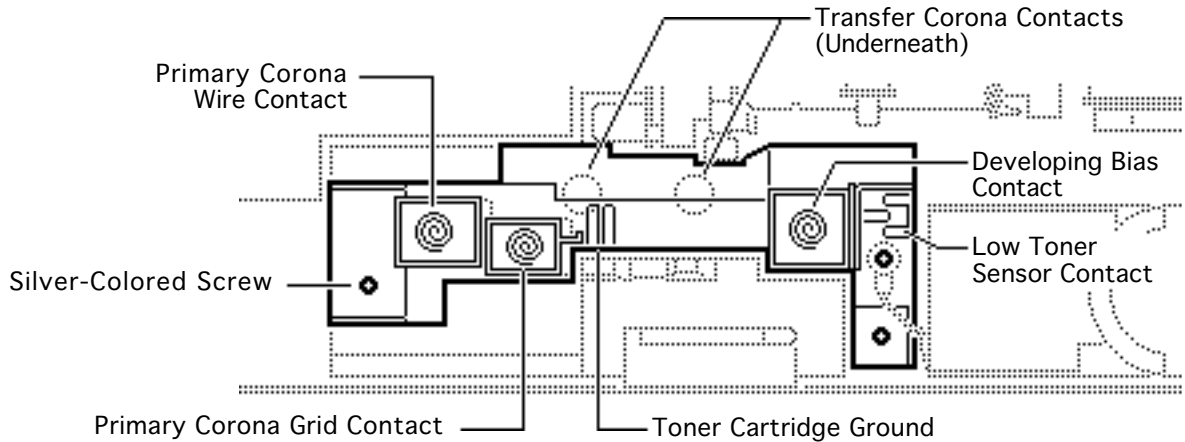


Distribution Board



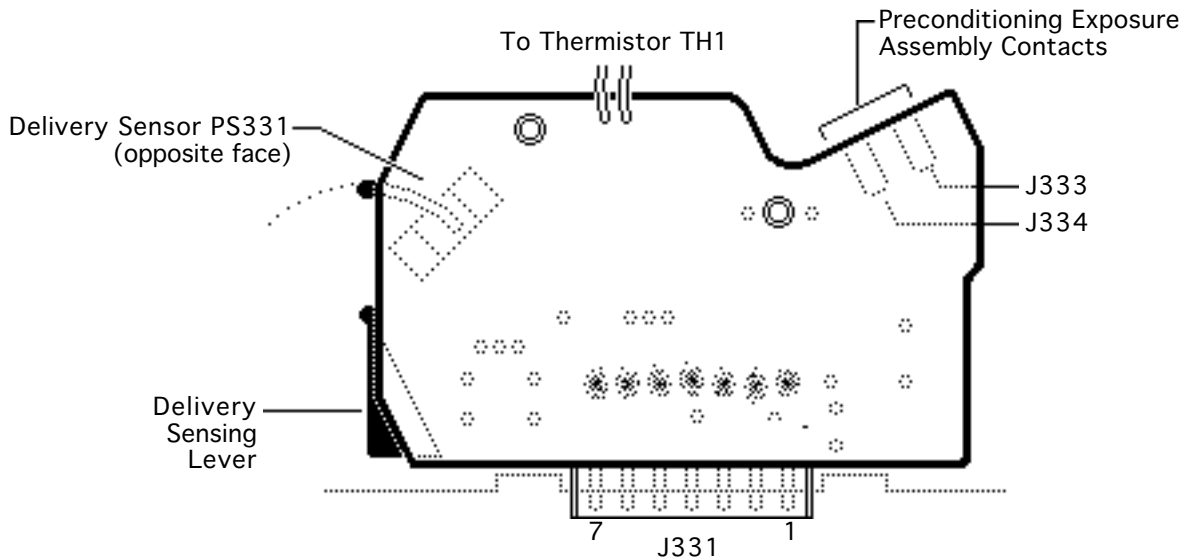


High-Voltage Contacts





Fuser Board (also known as Fuser PCA)





Connector Locators

On the following pages are diagrams of the connectors listed below:

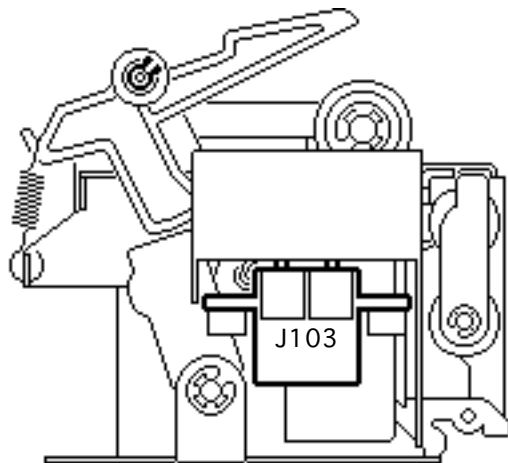
- Connector J103
- Connector J502
- Connector J601





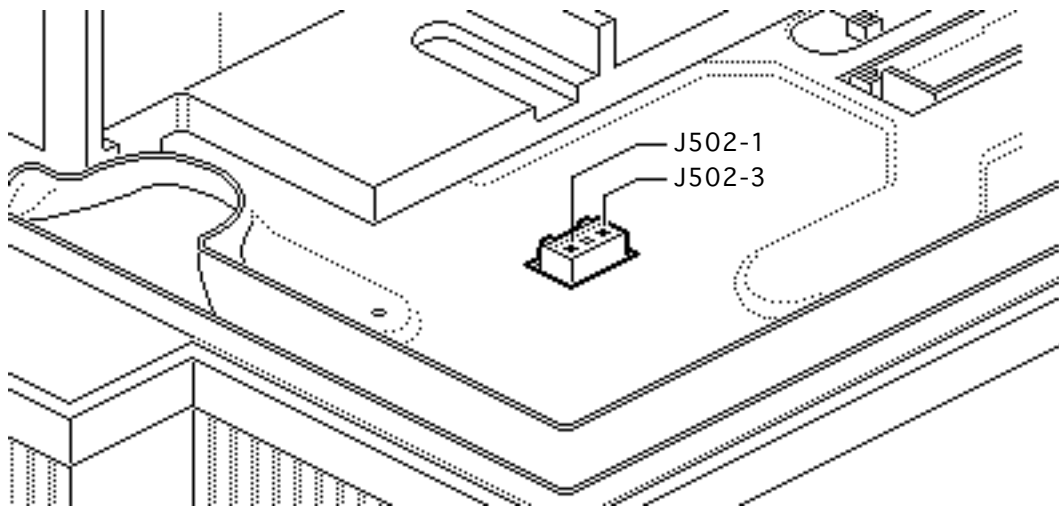
Connector J103 connects the fuser to the fuser safety PCA inside the power supply block. If you measure continuity between the two pins of J103, the fuser bulb and thermoprotector are intact.

Fuser Assembly —
(Removed from Printer)



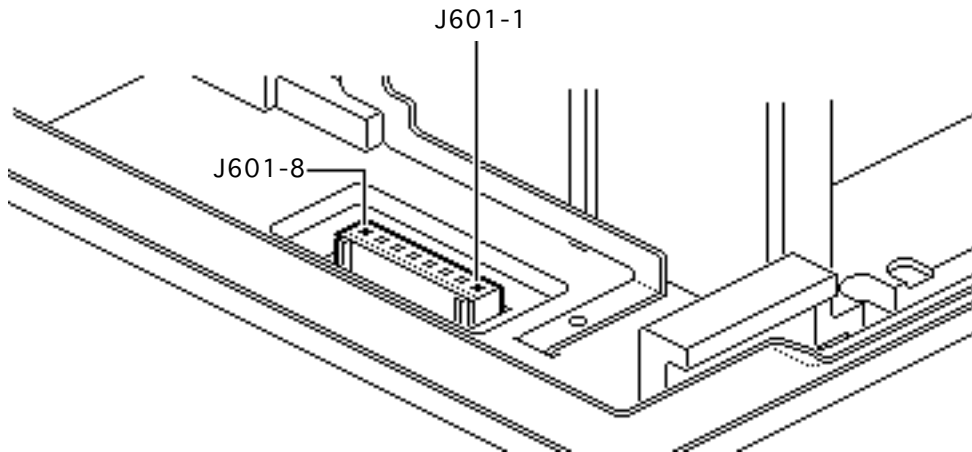


Connector J502 connects the DC power supply with the power supply block. This illustration shows the printer with the DC power supply removed.





Connector J601 connects the high-voltage power supply to J211 on the DC controller board. This illustration shows the printer with the high-voltage power supply removed.

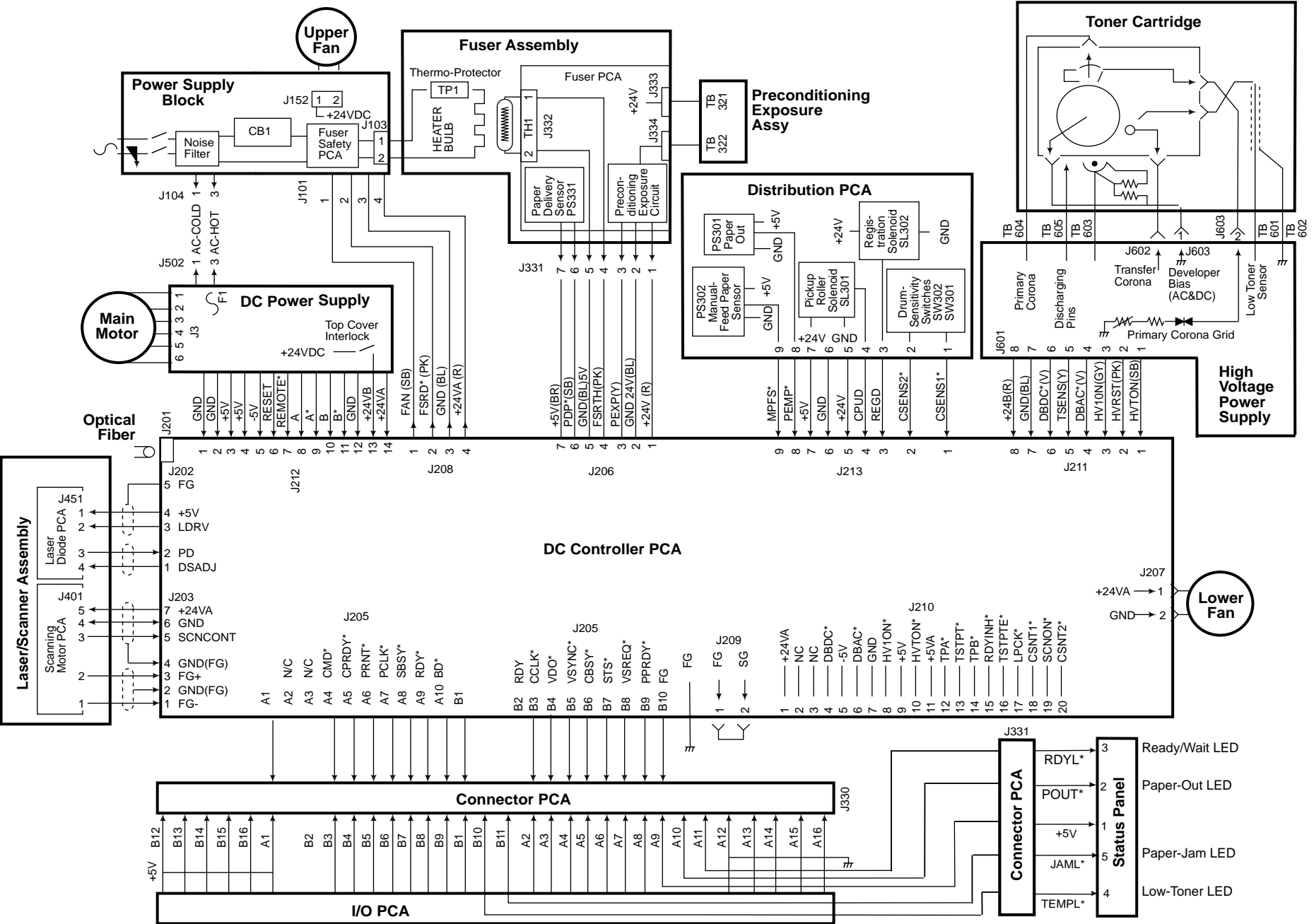




Flowcharts

The flowcharts for this manual are contained in an interactive file called “LaserWriter II Flowcharts.” This file has been derived from the original version of Service Source but is a standalone self-launching application. To launch this file, click the button below..





LaserWriter II
Wiring Diagram 110V



Take Apart
LaserWriter II



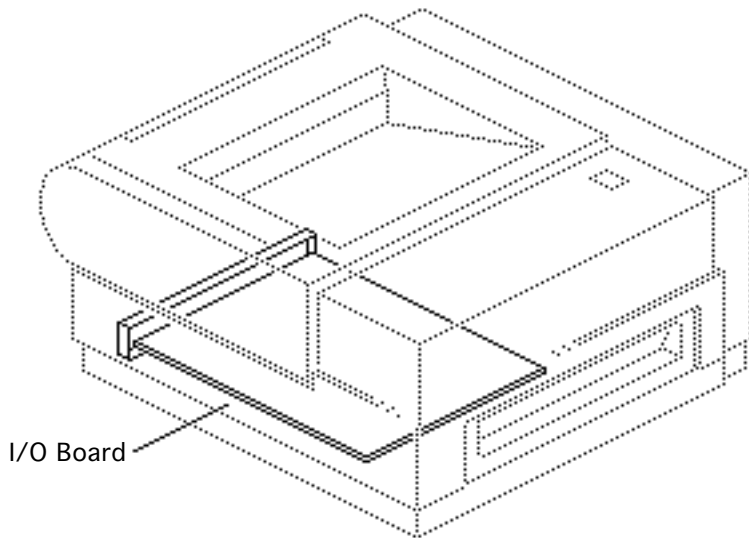


I/O Board

No preliminary steps are required before you begin this procedure.

Note: The I/O board may require configuration prior to installation in the the printer. For more information, refer to “I/O Board Installation” in Additional Procedures.

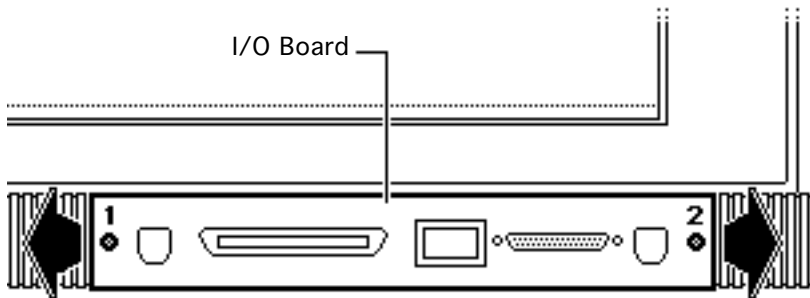
Note: If the I/O board is removed from the printer, the LEDs no longer function.





- 1 Loosen the two screws that secure the I/O board to the chassis.
- 2 **Caution:** Handle the board by the metal bracket only.

Carefully slide the I/O board out of the printer.



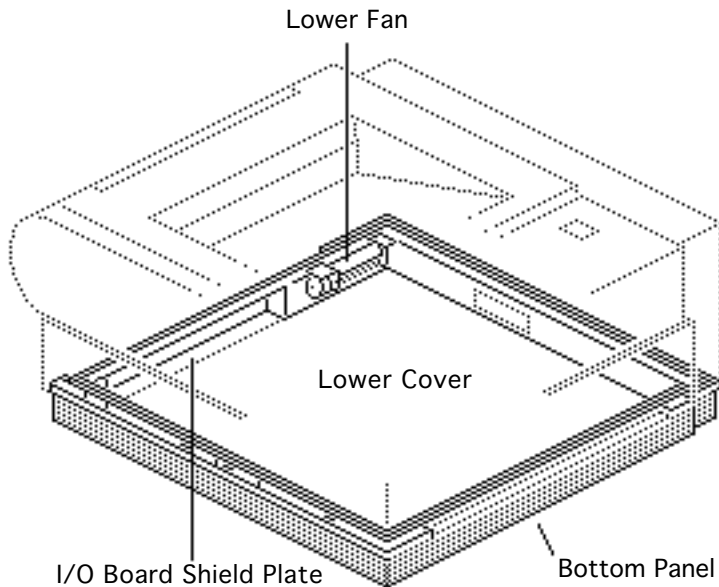


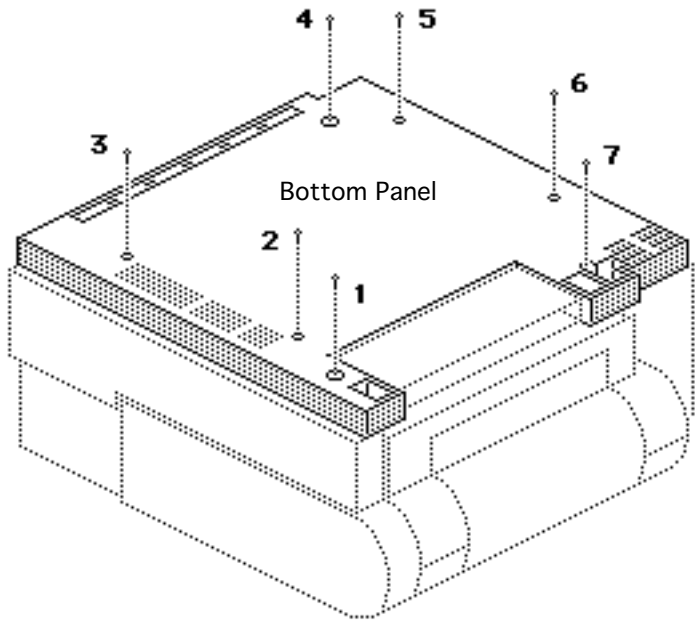
Base Unit

Before you begin, remove the I/O board.

Note: This procedure covers the take apart of the bottom panel, I/O board shield plate, lower cover, and the lower fan.

Caution: Always remember to remove the toner cartridge prior to turning the printer over.



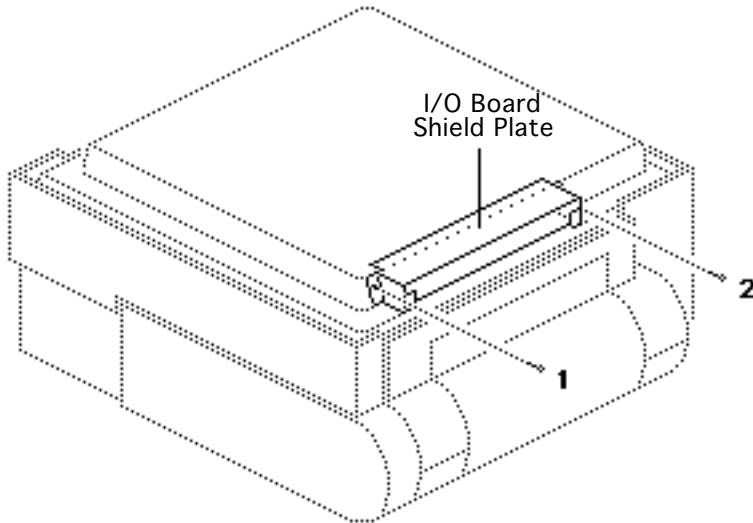


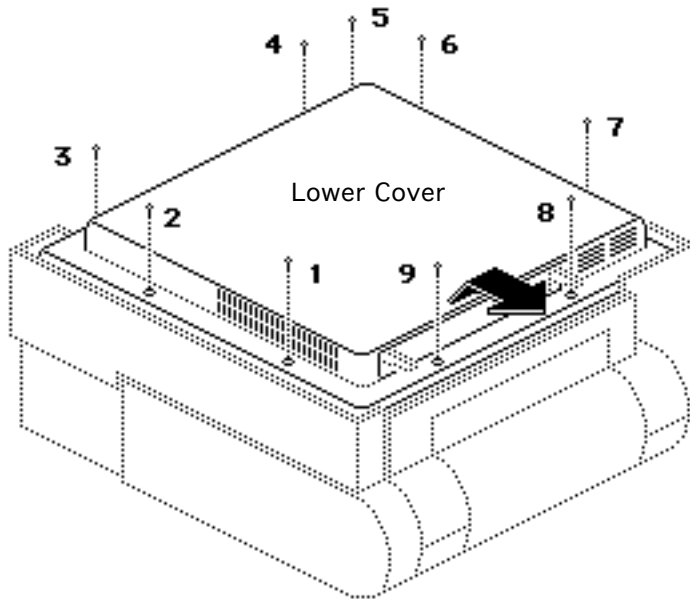
- 1 Place the printer on its back on a padded work surface.
- 2 Remove the seven screws that secure the bottom panel to the metallic lower cover.
- 3 Remove the bottom panel.





- 4 Remove the two screws that secure the I/O board shield plate to the lower cover. Remove the shield plate.





- 5 Remove the nine screws that secure the lower cover to the printer chassis.
- 6 Lift the lower cover and slide it free at the I/O board guide rails.

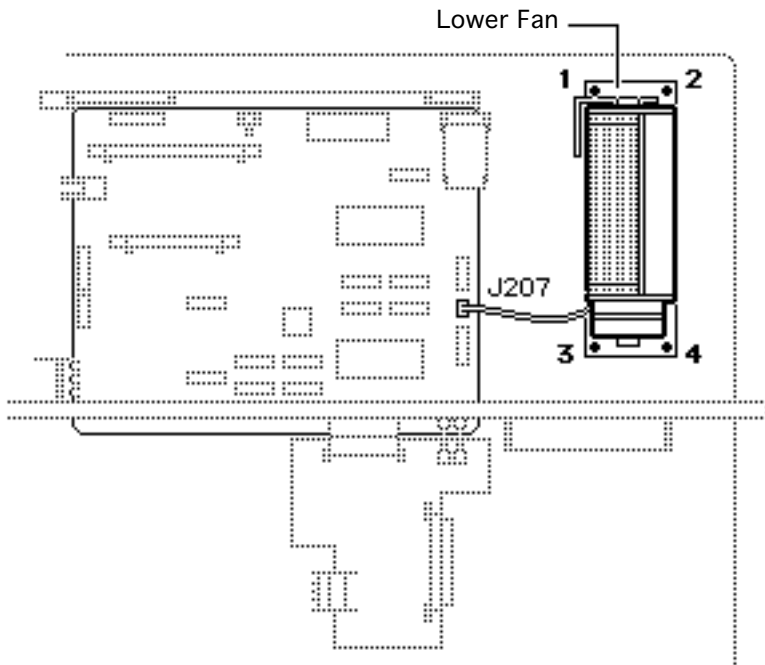




Lower Fan

Note: If you need to remove the lower fan, perform the following procedure.

- 1 Disconnect the fan cable from DC controller board connector J207.
- 2 Remove the four screws that secure the fan to the chassis.
- 3 Remove the fan and the fan bracket.



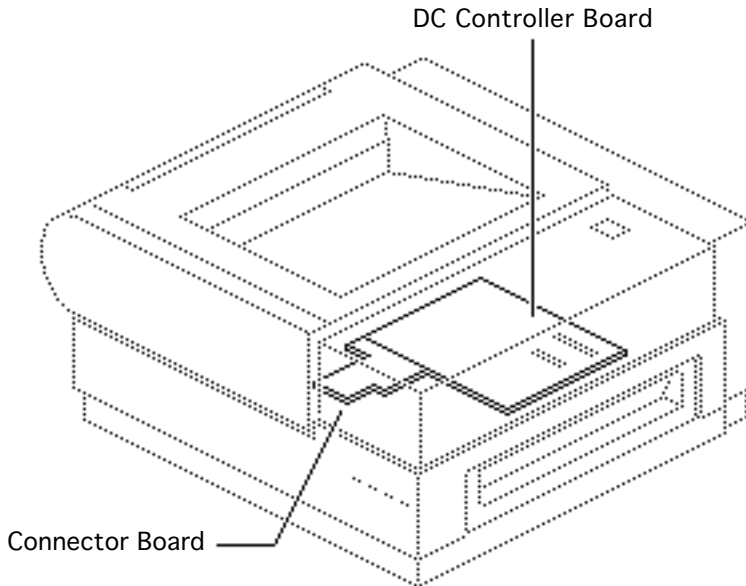


Controller Boards

Before you begin, remove the following:

- I/O board
- Base unit

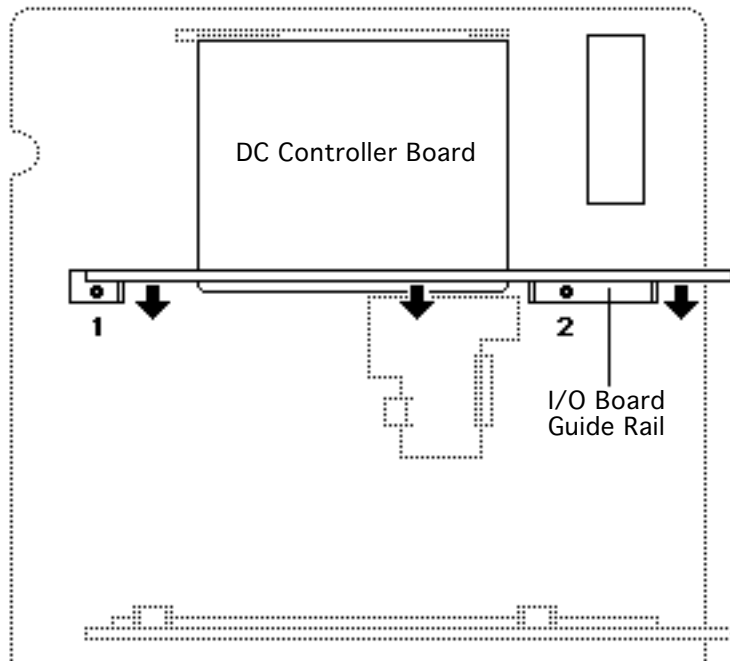
Note: This topic covers the take apart of the DC controller board and the connector board. You may perform these procedures in any order. Neither procedure requires that the other be done first.





DC Controller Board

- 1 Remove the two screws that secure the I/O board guide rail to the chassis and move the guide rail away from the DC controller board.





Cover Interlock
Switch Actuator

3

1

DC Power Supply
Connector J212

2

Distribution Board
Connector J213

Note: Cabling is not shown for clarity.

- 2 Remove the two screws that secure the DC power supply and distribution board connectors.
- 3 Loosen the screw that secures the lower-cover interlock switch actuator to the chassis and lift off the metal actuator.





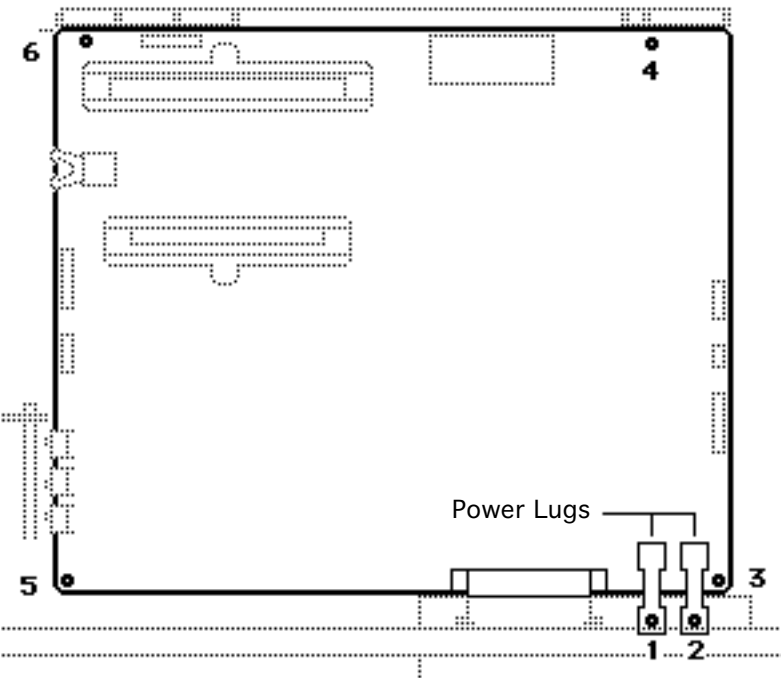
4 Disconnect the following cables:

- Fuser assembly board cable from J206
- Lower fan cable from J207
- Power supply block cable from J208
- High-voltage power supply cable from J211
- Scanning motor assembly cable from J203
- Laser diode assembly cable from J202
- Optical fiber cable from J201



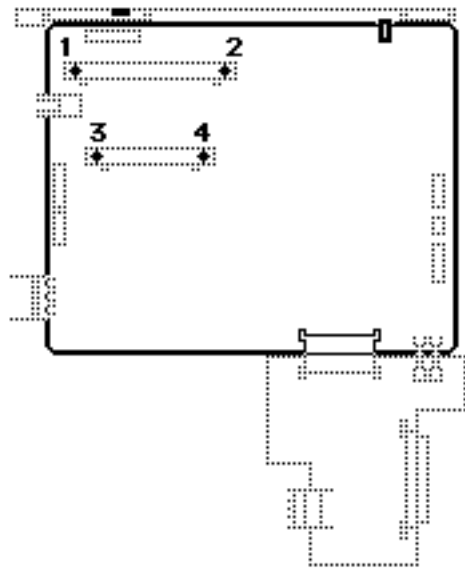


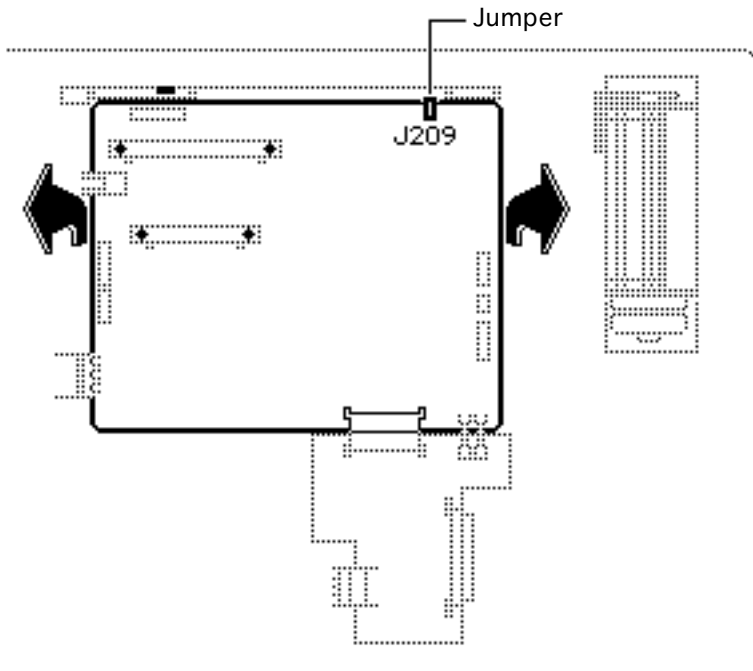
- 5 Remove the two screws that secure the power lugs to the connector board.
- 6 Remove the four screws that secure the DC controller board to the chassis.





- Note:** The two DC power supply connectors offer some resistance when you are removing the DC controller board. If you want to alleviate this problem, remove the four screws that secure the connector to the board, remove the cables from the connector, and then proceed with removing the board. Be sure that you screw the connector back in before returning the controller board to Apple.

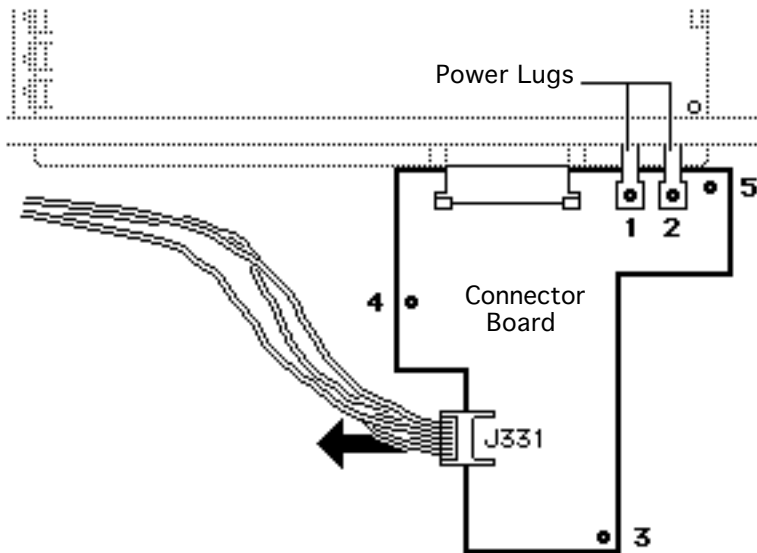




Carefully grasp the DC controller board by the edges and pull the board firmly up and away from the connector board.

- 8 Remove the jumper at J209, if one is present.

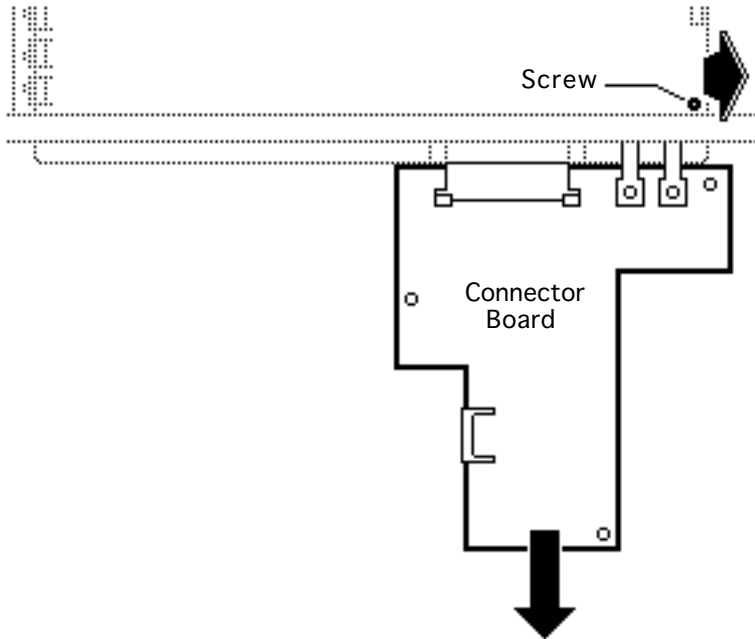




Connector Board

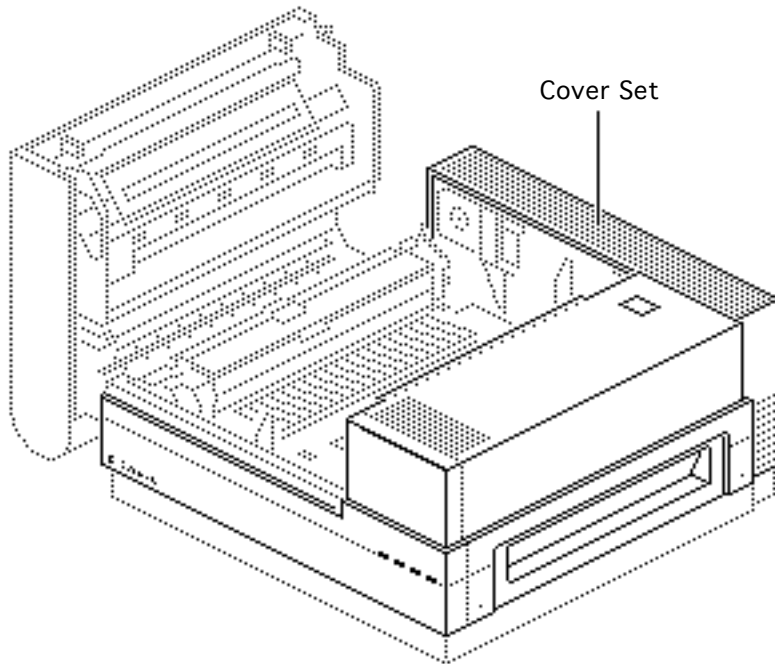
- 1 Disconnect the status panel cable from connector J331.
- 2 Remove the two screws that secure the power lugs to the connector board.
- 3 Remove the three screws that secure the connector board to the chassis.





- 4 Remove the screw at the corner of the DC controller board nearest the power lugs.
- 5 Lift the corner of the DC controller board slightly and slide out the connector board.





Cover Set

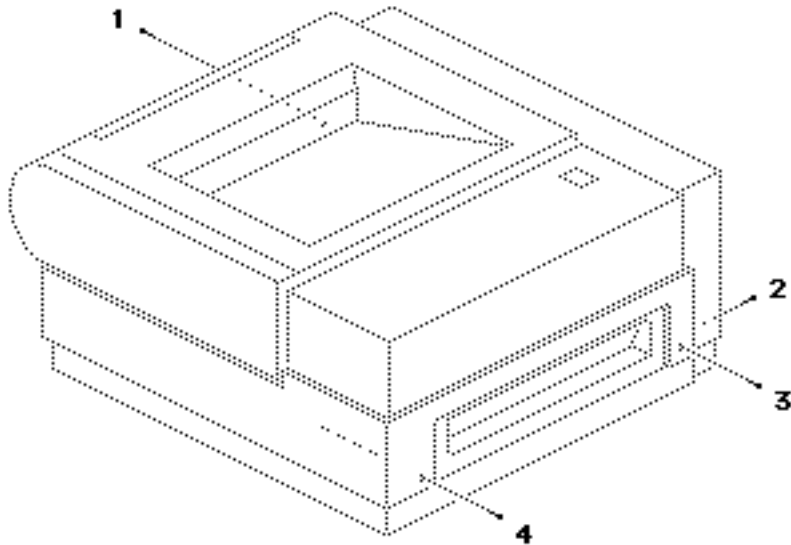
No preliminary steps are required before you begin this procedure.

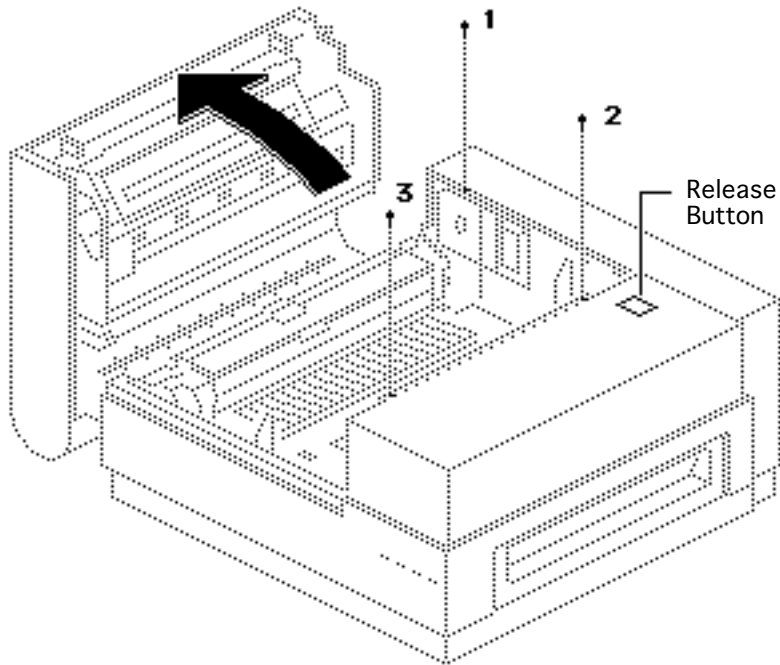
Note: This procedure covers the take apart of the cover set, including the release button and LED status panel





- 1 Remove the four screws that secure the cover set to the printer.



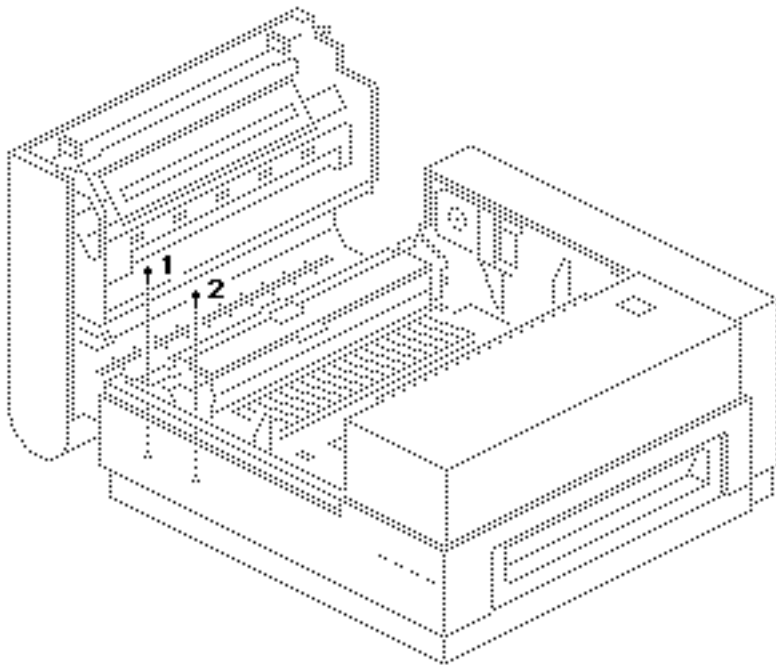


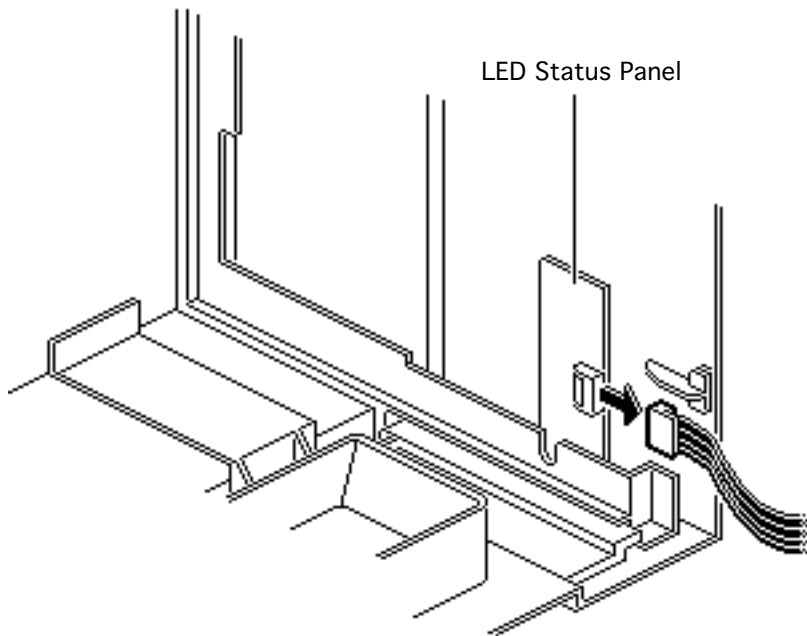
- 2 Depress the release button and open the top cover.
- 3 Remove the three interior screws along the rim of the cover set.





- 4 Remove the two interior screws that secure the cover set bracket to the chassis.





- Note:** If you need to monitor status panel lights when the cover is off, don't disconnect the connector. Simply remove the two screws and lift the whole status panel off the cover.

Lift up the cover set and remove it far enough to disconnect the connector from the LED status panel.



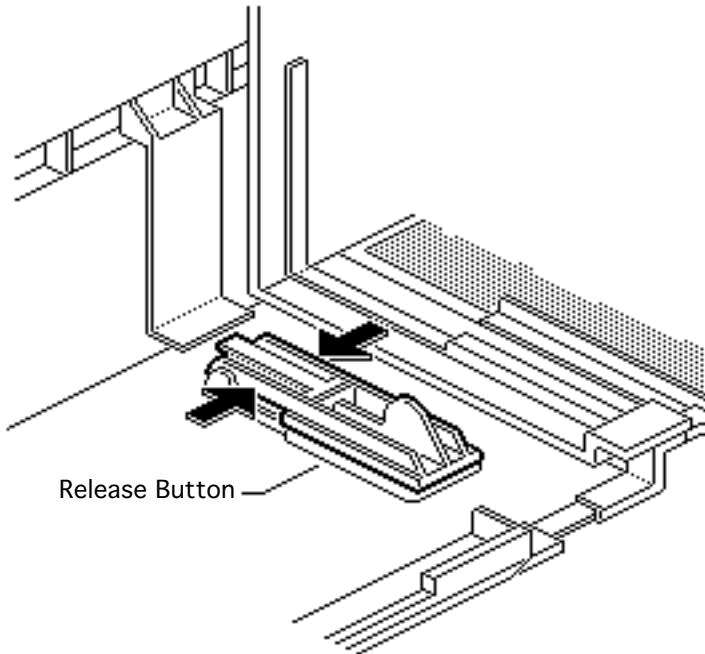


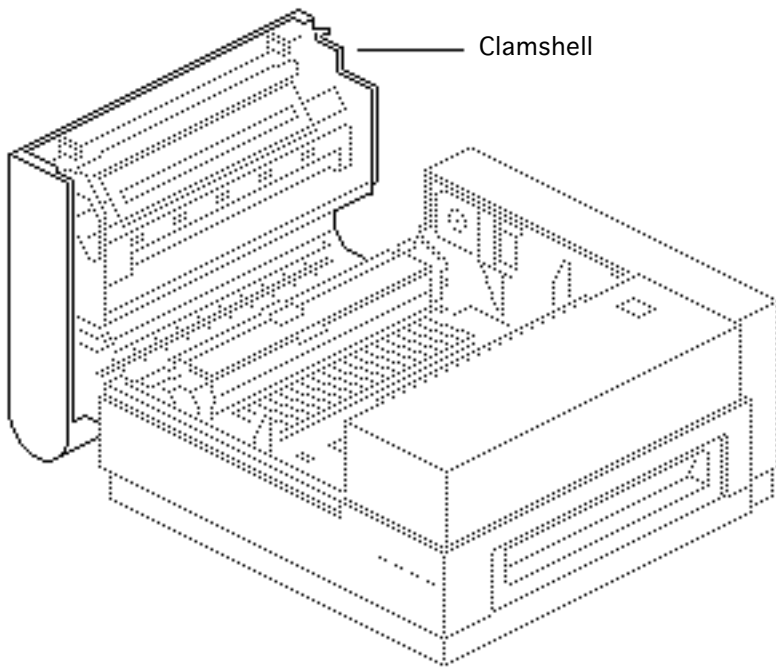
6 Set aside the cover set.

Note: The cover set is made up of front, rear, upper right, and lower right panels. Each panel can be taken apart by removing the appropriate screws.

Release Button

1 To remove the release button, squeeze the arms of the button and remove it from the upper right panel.





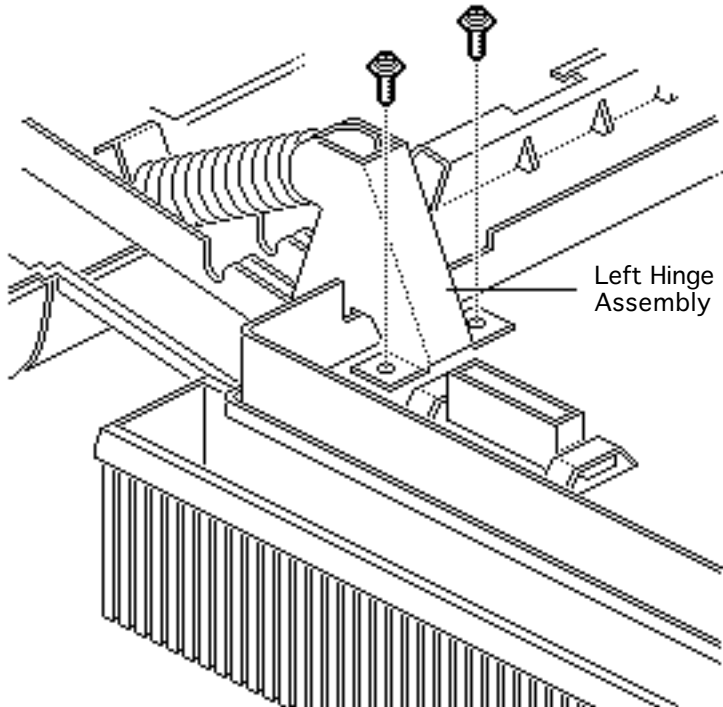
Clamshell Detachment

Before you begin, remove the following:

- Cover set
- Fuser assembly

Note: The clamshell is what hinges upward when you open the printer. It is not available from Apple as an assembly, but you may need to remove it in the course of removing other assemblies.





- 1 Remove the four screws that secure the left and right hinge assemblies to the chassis and lift off the upper clamshell (right hinge assembly not shown).

Replacement Note: Cradle the clamshell in an upright position and secure the right hinge assembly to the printer chassis. Then secure the left hinge assembly. Make sure the screws are tight.

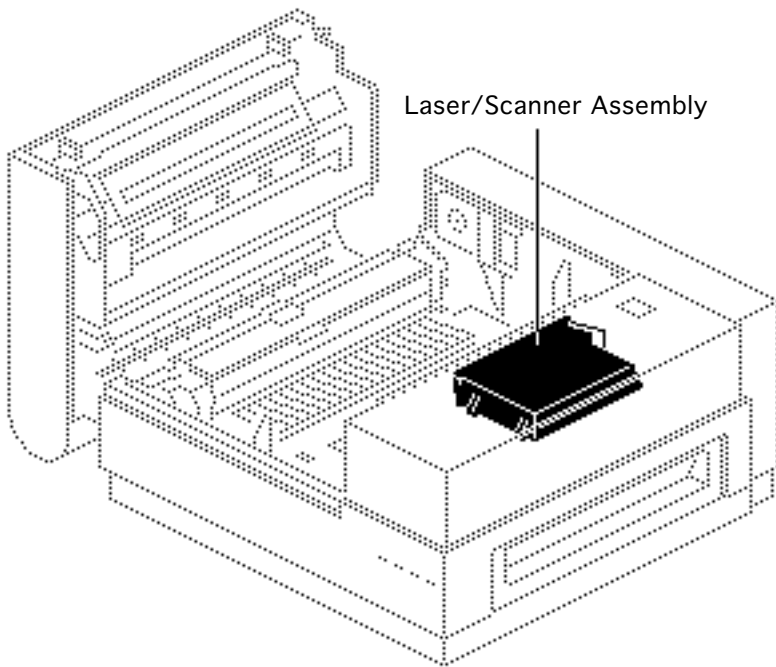




Laser/Scanner Assembly

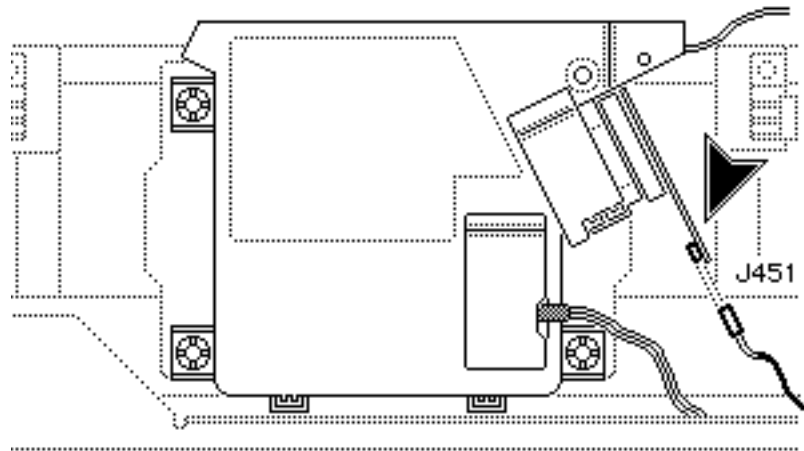
Before you begin, remove the cover set.

Note: The LaserWriter II laser/scanner assembly is available only as an integral assembly. No subcomponent is available from Apple and no adjustments to laser power circuitry can be made. See “Laser Power Output Check” under Additional Procedures for measurement procedures.



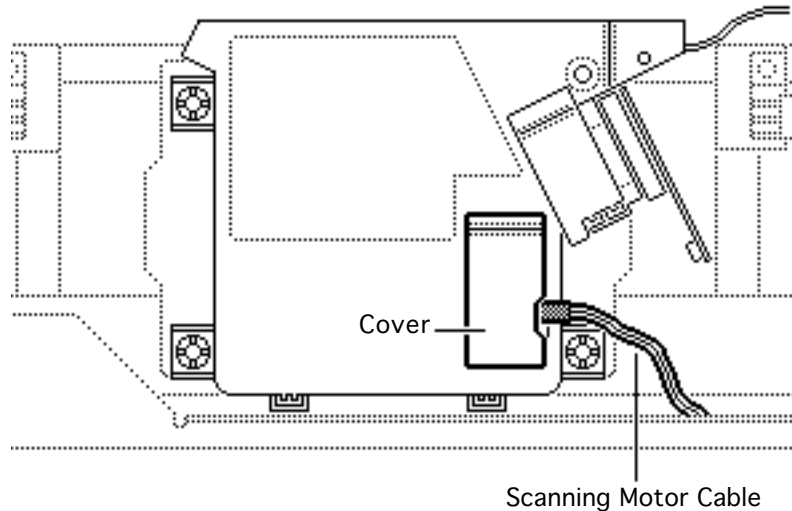


- 1 Disconnect the cable from laser diode board connector J451.





- 2 Open the cover that accesses the scanning motor board and disconnect the scanning motor cable.





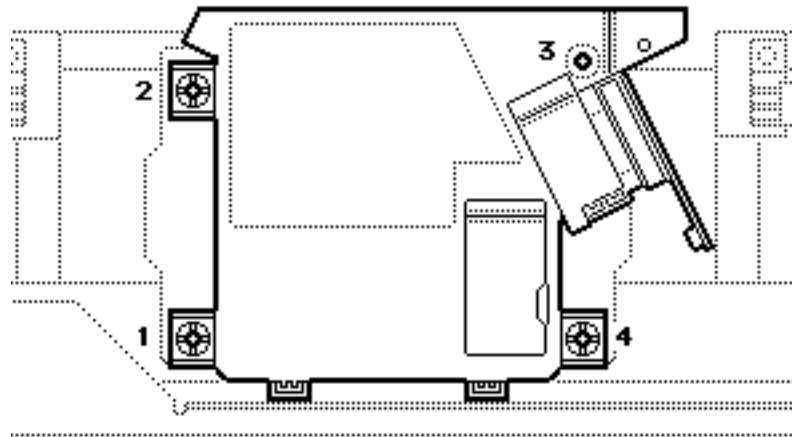
Optical Fiber Cable

Cover

- 3 Remove the screw on the optical fiber cover and open the cover.
- 4 Carefully lift the optical fiber cable up and out of its slot in the laser/scanner assembly.

Replacement Note: Make sure that the collar on the optical fiber seats properly in the slot before closing the cover.





- 5 Remove the four long screws that secure the laser/scanner assembly to the main body block.
- 6 Remove the laser/scanner assembly.

Note: Make sure that the optical fiber and laser harness cables are removed when you return a defective laser/scanner assembly to Apple.

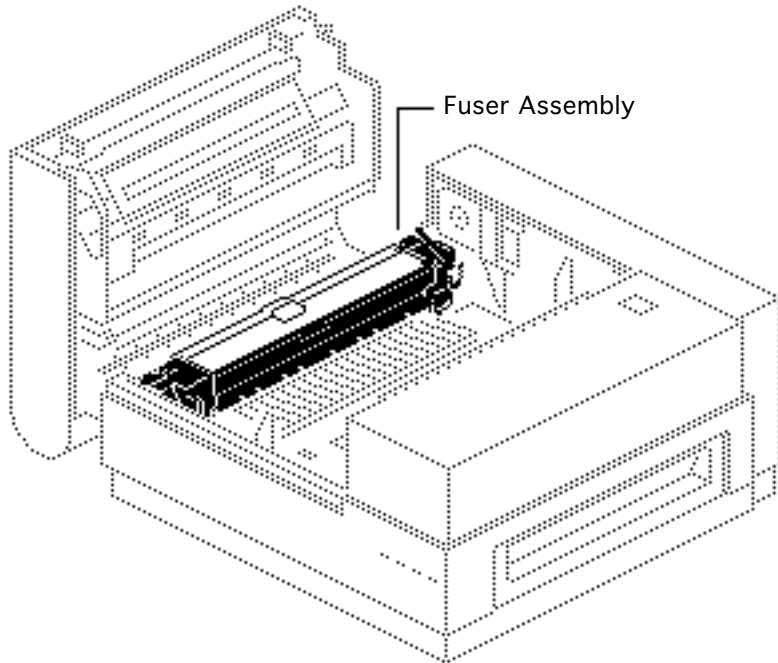




Fuser Assembly

No preliminary steps are required before you begin this procedure.

Note: The fuser assembly consists of several orderable components and sub-assemblies (see Illustrated Parts).



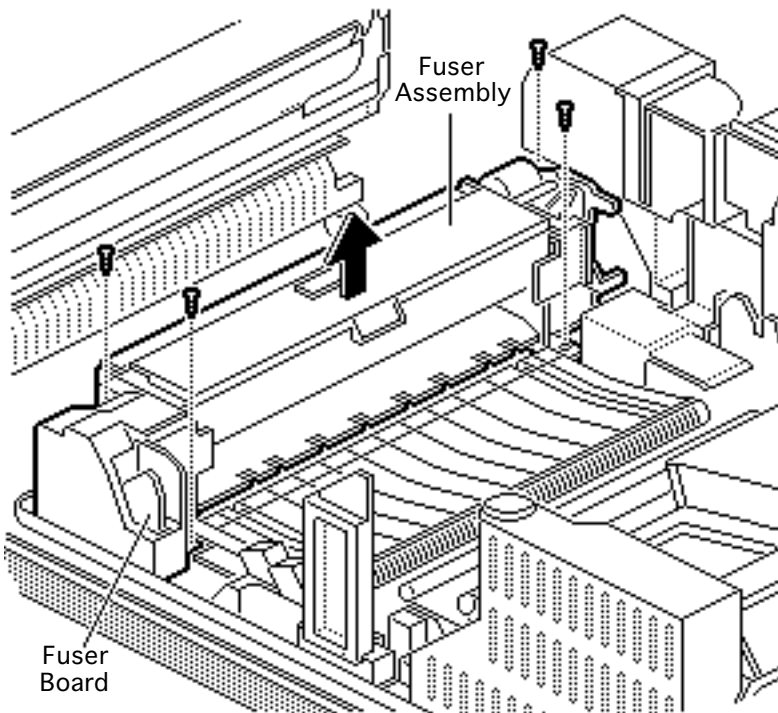


Note: This procedure covers only the removal of the fuser assembly from the printer. The topics that follow this one address further disassembly of the fuser assembly:

- Fuser Delivery Assembly
- Fuser Heater Bulb
- Delivery-Sensing Lever

- 1 Depress the release button and open the top cover.



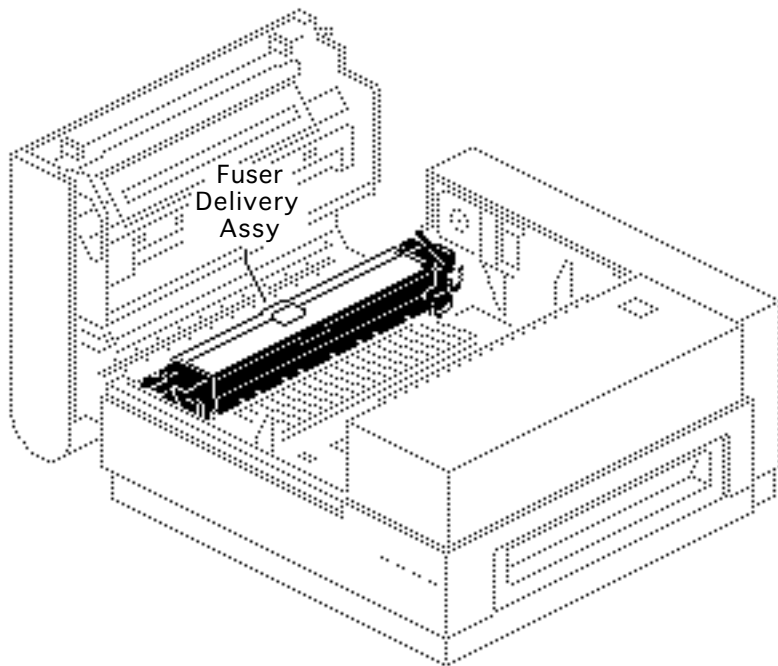


- 2 Remove the four screws that secure the fuser assembly to the chassis.
- 3 Lift the fuser straight up out of the printer.

Replacement Note: Make sure that the 7-pin connector on the fuser board mates properly with the receptacle.

Note: Before returning the fuser assembly to Apple, remove the cleaning felt and replace it with the roller separators that come with the exchange unit.



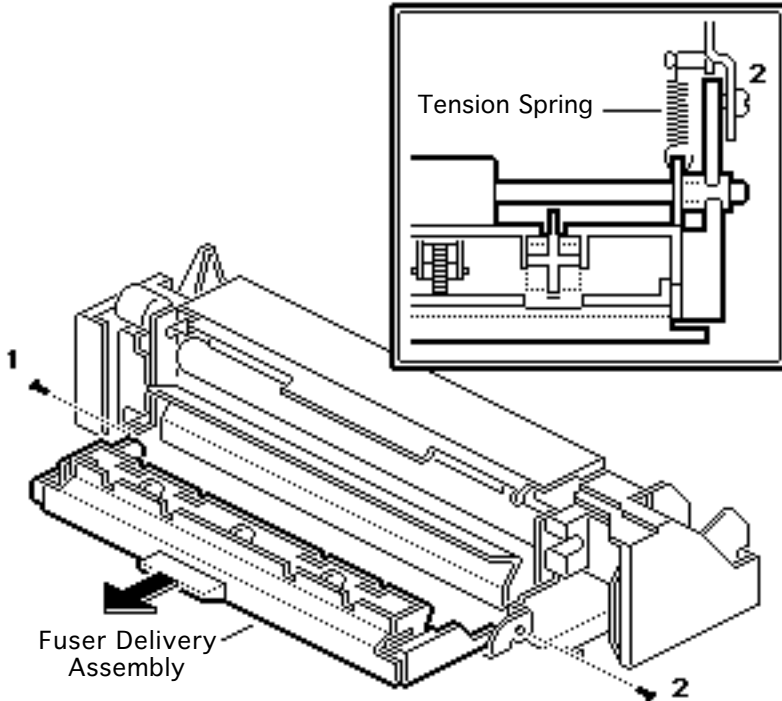


Fuser Delivery Assembly

Before you begin, remove the fuser assembly.

Note: The fuser delivery assembly is an orderable subassembly of the fuser assembly. Its function is to separate the page as it exits the fuser rollers and to feed it toward the delivery tray.





- 1 Open the fuser delivery assembly.
- 2 Unhook the two tension springs that connect the fuser delivery assembly to the fuser assembly.
- 3 Remove the two screws that secure the fuser delivery assembly to the fuser assembly.
- 4 Remove the fuser delivery assembly.





Delivery Rollers

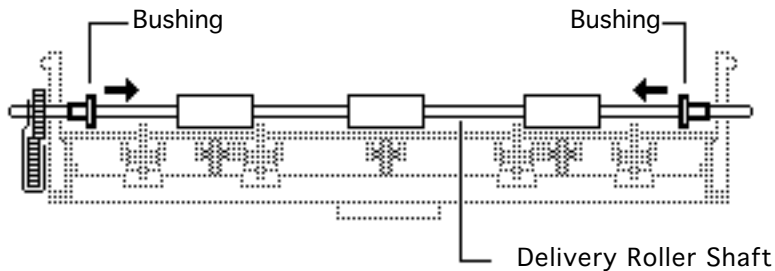
Note: The delivery rollers are the white serrated rollers within the fuser delivery assembly.

- 1 If you need to replace a delivery roller, remove the three C-rings that secure the delivery roller shaft to the fuser delivery assembly.





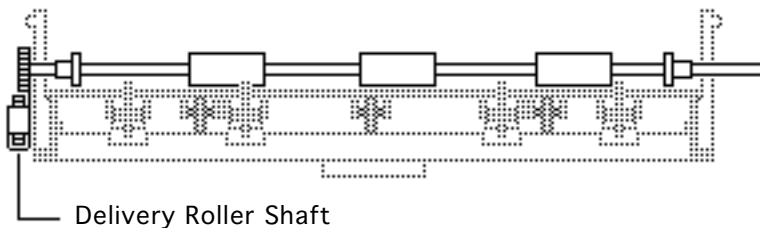
- 2 Push the bushings toward the center of the delivery roller shaft.





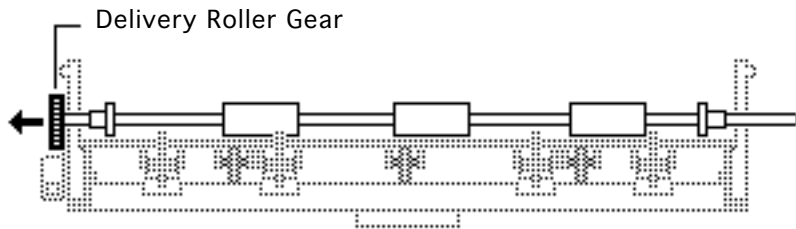
- Note:** Be careful not to lose the tiny delivery roller gear pin that falls out when you remove the gear in the following step.

Slide the delivery roller shaft away from the gear arm and rotate the gear arm off the shaft.





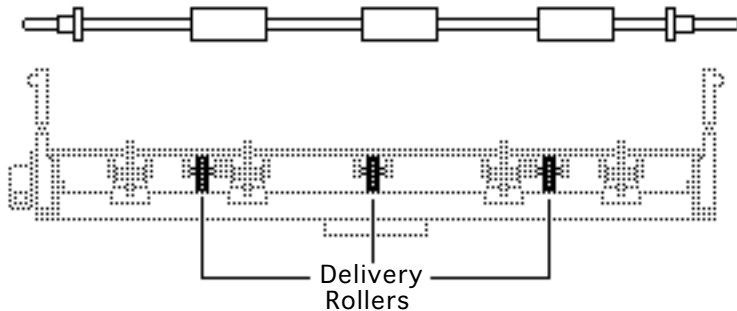
- 4 Remove the delivery roller gear from the delivery roller shaft.





- Note:** The delivery rollers rest loosely within slots in the fuser delivery assembly and may fall out when you remove the roller shaft.

Remove the delivery roller shaft and lift out the delivery roller.

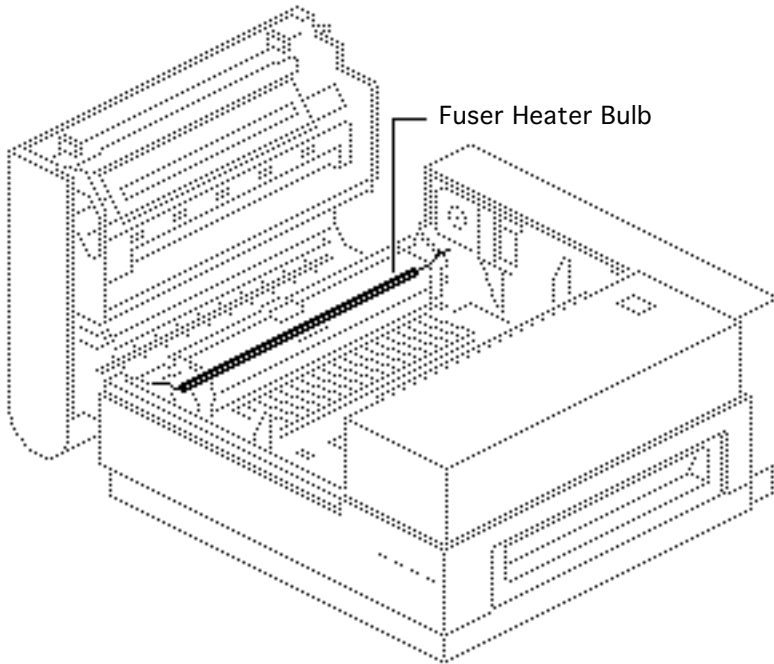


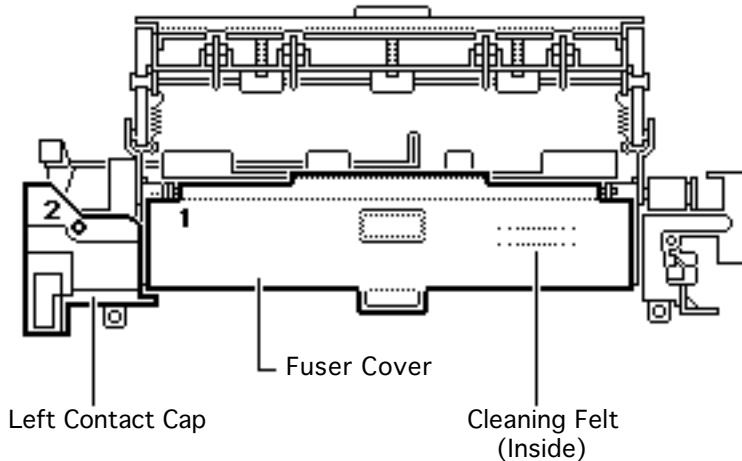


Fuser Heater Bulb

Before you begin, remove the fuser assembly.

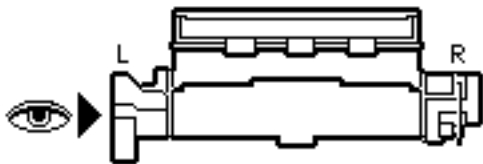
Note: The fuser heater bulb is an orderable sub-component of the fuser assembly. It provides the heat necessary to fuse toner to paper.





- 1 Open the fuser delivery assembly.
- 2 Loosen the screw (1) that secures the fuser cover to the fuser assembly.
- 3 Lift the fuser cover and the fuser cleaning felt.
- 4 Remove the screw (2) that secures the left contact cap to the fuser assembly. Lift off the cap.

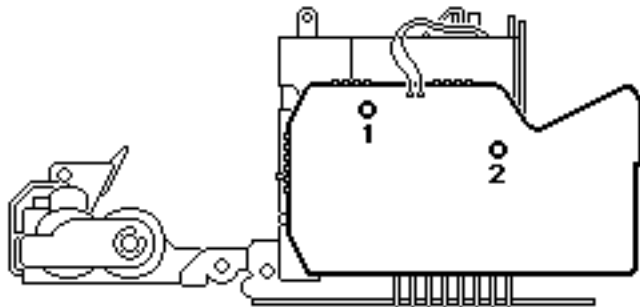


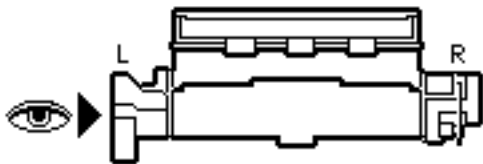


- 5 Remove the two screws that secure the fuser board to the fuser assembly.

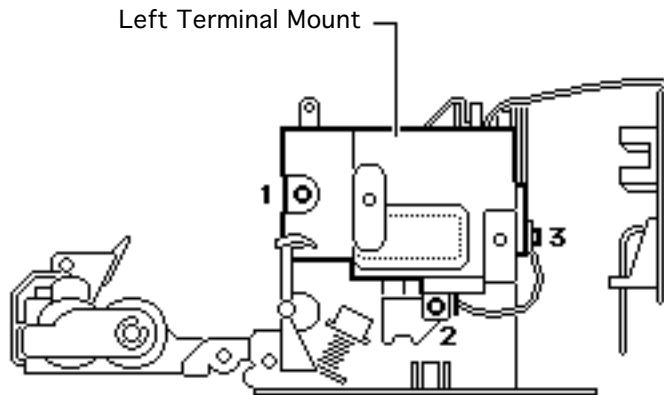
- 6 **Note:** The fuser board will hang loosely from the fuser assembly after the following step. Be careful when handling either part.

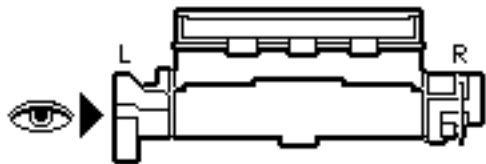
Detach the fuser board from the fuser assembly.



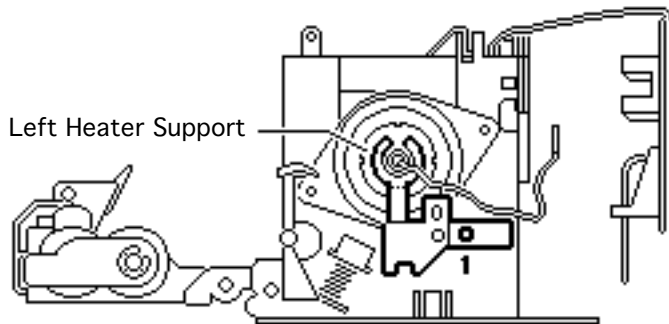


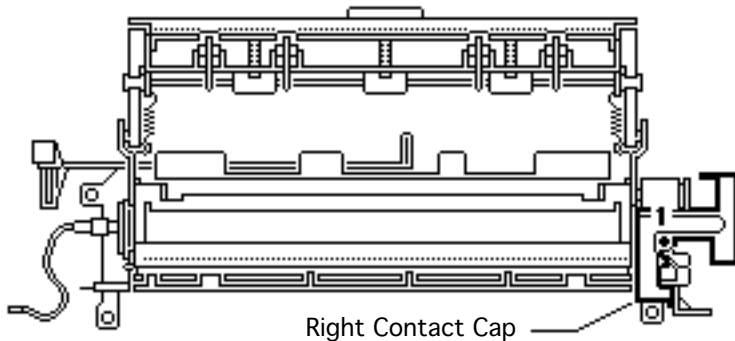
- 7 Remove the three screws that secure the left terminal mount to the fuser assembly.
- 8 Remove the terminal mount.





- 9 Remove the screw that secures the left heater support to the fuser assembly. Remove the support.

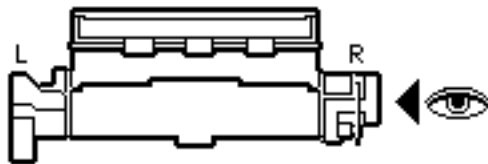




- 10 Remove the screw that secures the right contact cap to the fuser assembly. Remove the cap.

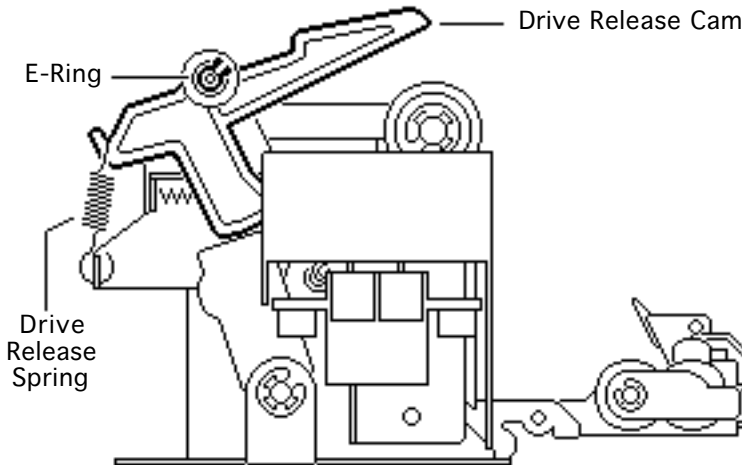
Replacement Note:
Before replacing the contact cap, make sure that the heater bulb grounding lead wraps around the positioning posts on top of the terminal mount.





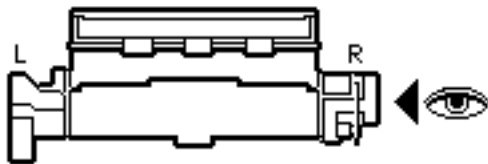
11 Using a small screwdriver, remove the E-ring that secures the drive release cam to the fuser assembly.

12 Remove the drive release cam and the spring.



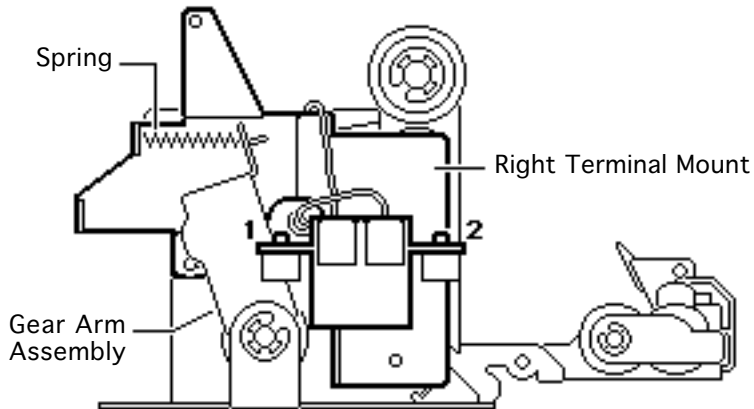
Replacement Note: Make sure that the gear arm assembly is in an upright position behind the toe of the drive release cam.

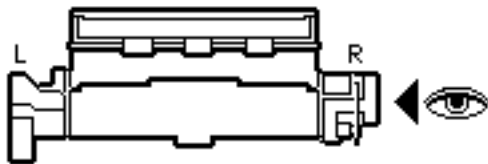




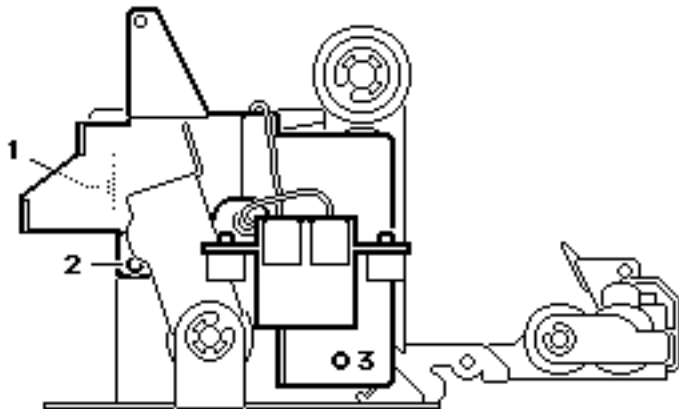
13 Remove the spring that connects the gear arm assembly with the right terminal mount.

14 Remove the two screws that secure the fuser bulb connector to the right terminal mount.





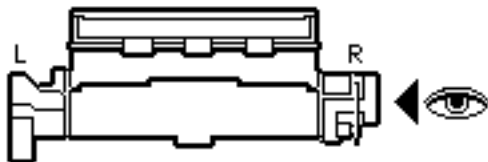
- 15 Remove the three screws that secure the right terminal mount to the fuser assembly and remove the terminal mount.



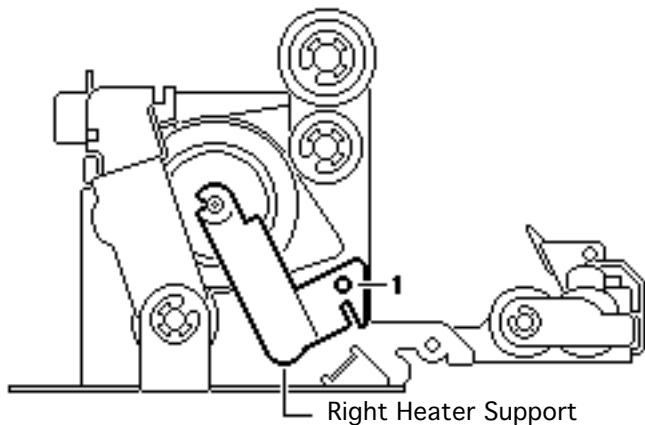
Replacement Note:

When you replace the right terminal mount, make sure that the gear arm assembly is in an upright position as shown before you set the terminal mount into position. Note the position of the spring on the previous page.





- 16 Remove the screw that secures the right heater support to the fuser assembly and carefully slide out the fuser heater bulb.

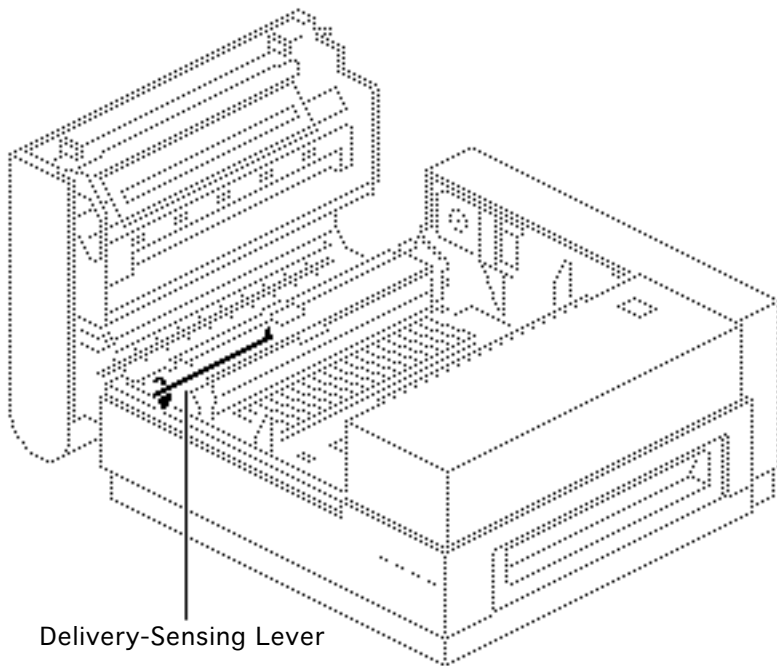




Delivery-Sensing Lever

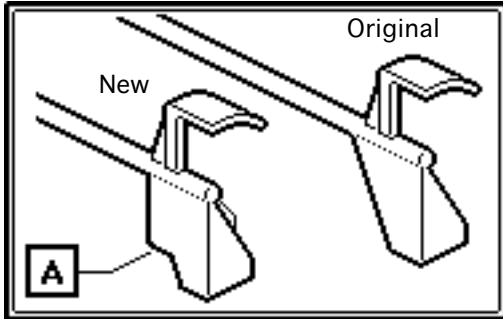
Before you begin, remove the fuser assembly.

Note: The delivery-sensing lever is an orderable subcomponent of the fuser assembly. This lever, in combination with a sensor on the fuser board, is the sole monitor of paper jams in the LaserWriter II printer.



Delivery-Sensing Lever



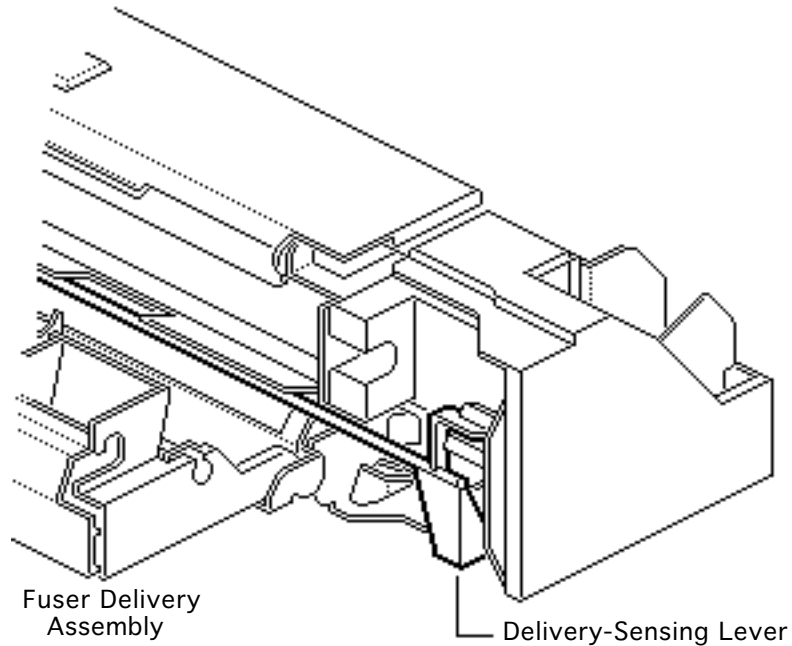


Note: There are two versions of the delivery-sensing lever. In the new version, the shape of the counterweight has been enlarged (A).





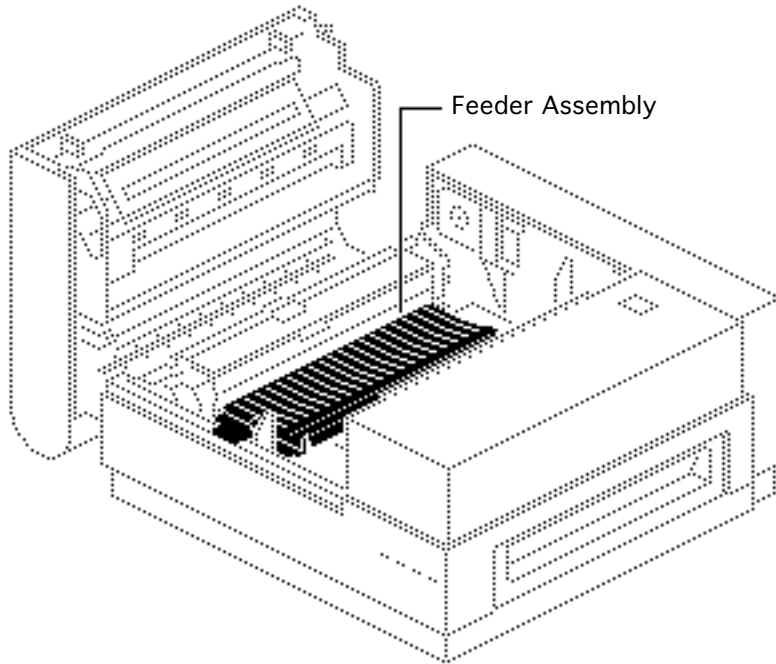
- 1 Open the fuser delivery assembly.
- 2 Carefully pull the delivery-sensing lever out of the fuser assembly.

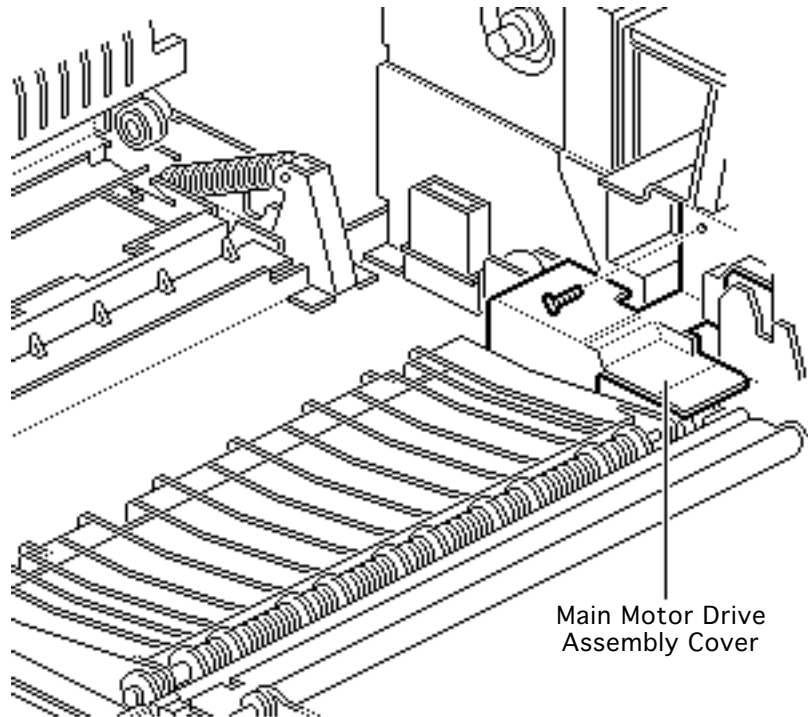




Feeder Assembly

Before you begin, remove the fuser assembly.

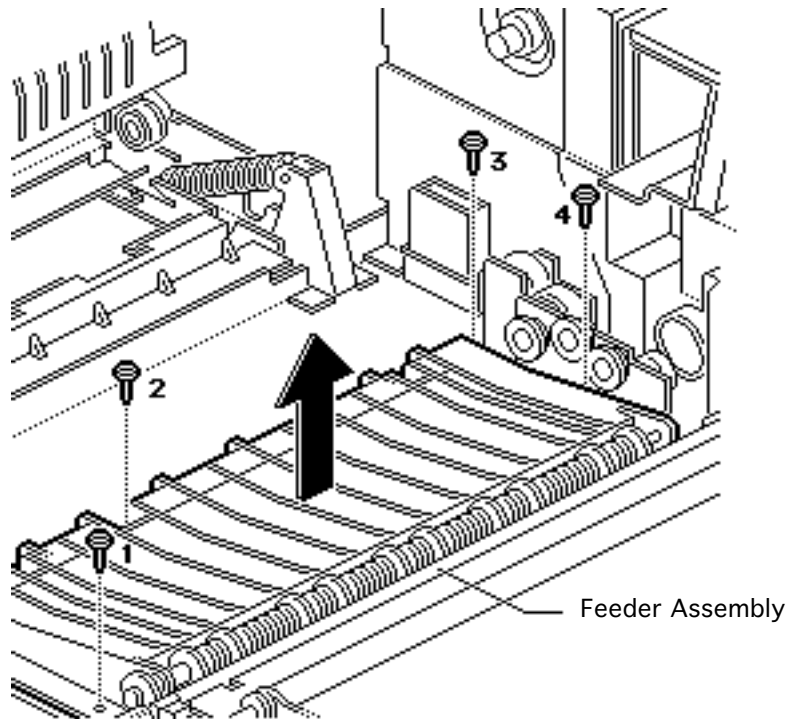




Main Motor Drive
Assembly Cover

- 1 Remove the screw that secures the main motor drive assembly cover to the main motor mount.
- 2 Remove the cover.





- 3 Remove the four screws that secure the feeder assembly to the chassis. Remove the feeder assembly.

Replacement Note: Make sure to engage the tab at the front of the feeder in the slot in the main body block.

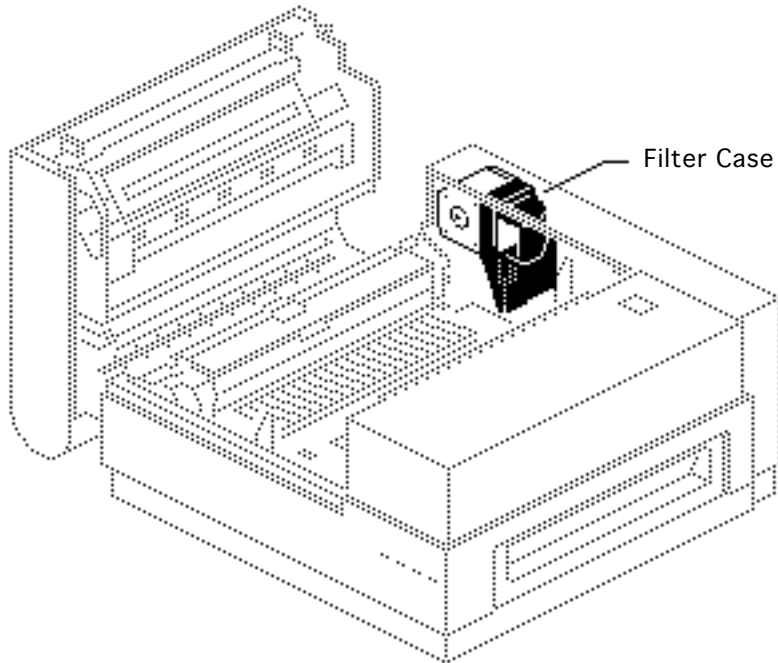


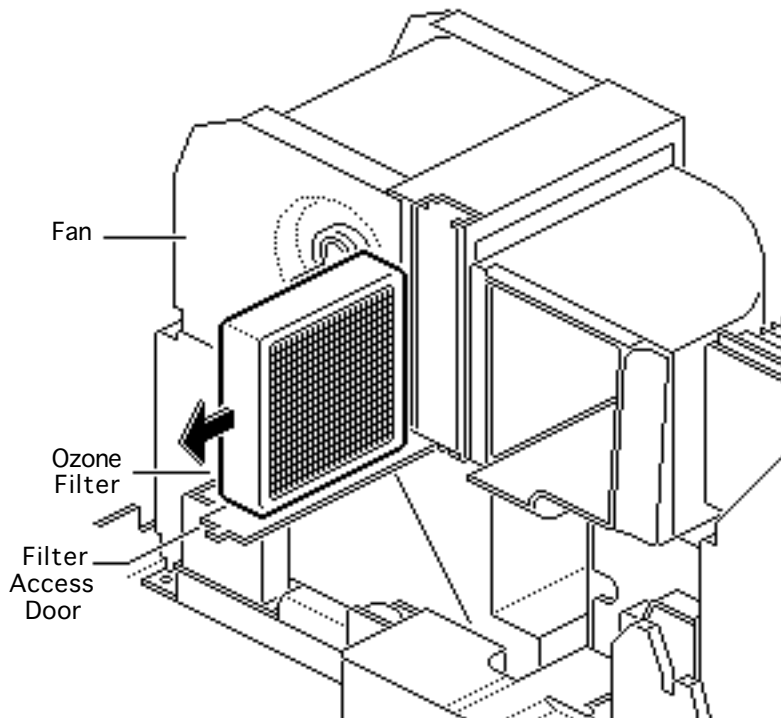


Ozone Filter

No preliminary steps are required before you begin this procedure.

Caution: Be careful when handling the ozone filter. It is brittle and can break if handled roughly.



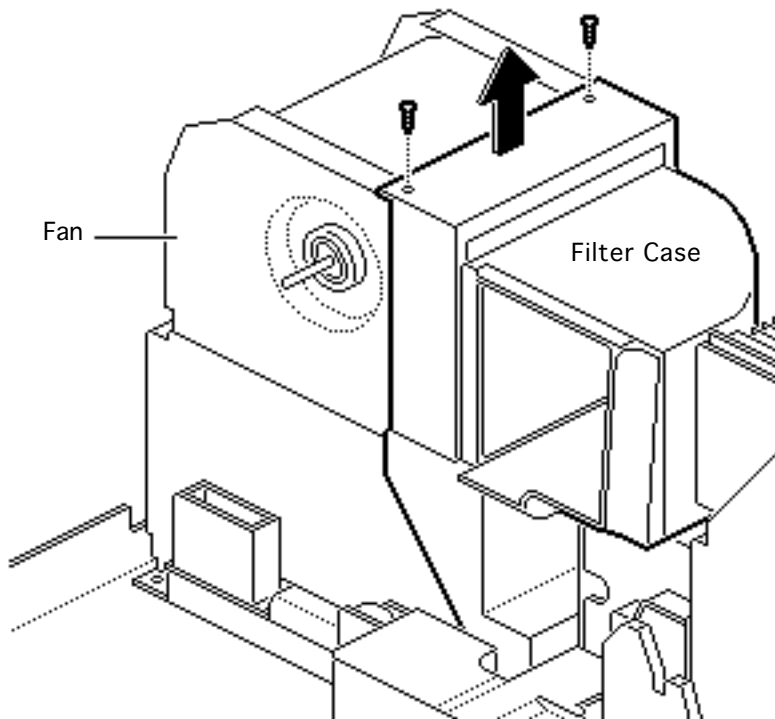


Note: There are two filter case designs. In the newer design, you access the ozone filter through a special access door. In the earlier design you must remove the cover set and filter case from the printer before removing the ozone filter.

Ozone Filter (New)

- 1 Open the access door. Pull on the ozone filter tab and slide the filter out of the case.





Ozone Filter (Old)

- 1 Remove the two screws that secure the filter case to the fan.
- 2 Pull the filter case and fan duct straight up and out of the printer.
- 3 To remove the ozone filter, slide it down and out of the filter case.

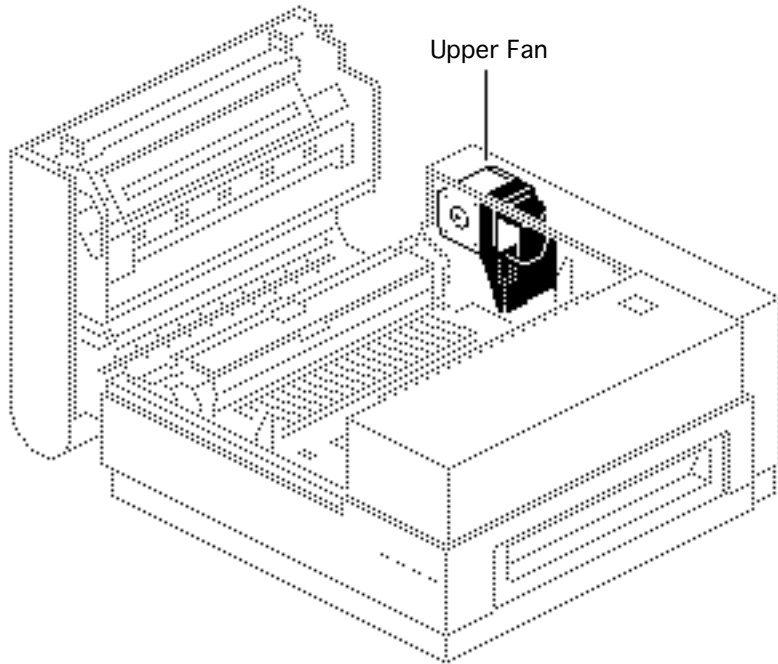


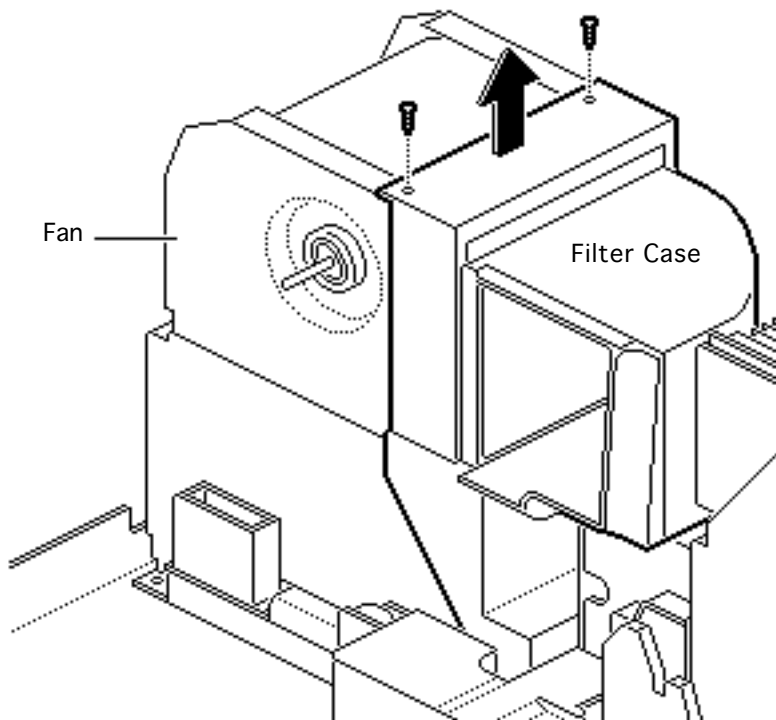


Upper Fan

Before you begin, remove the cover set.

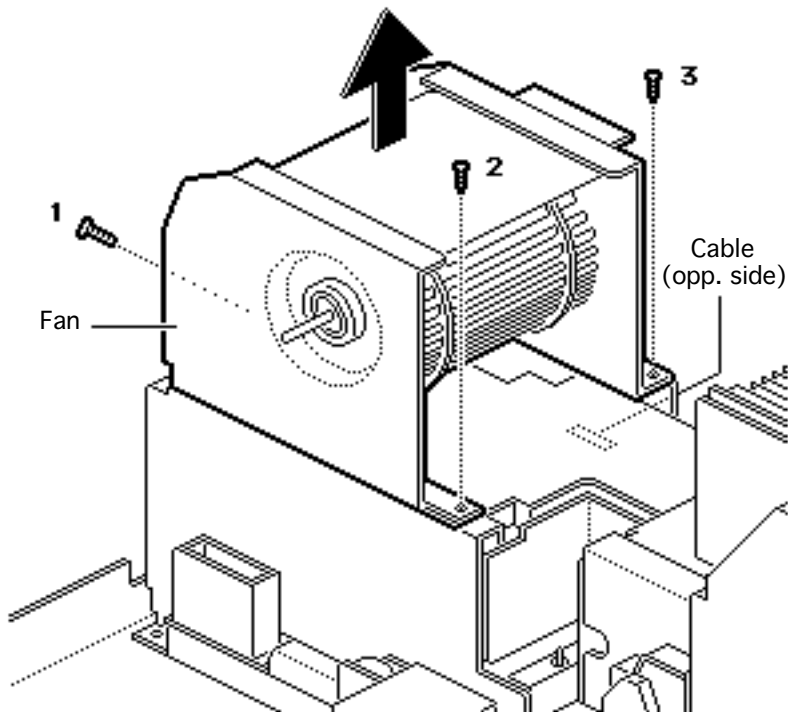
Note: Also included in this topic are the take apart of the fan bushing/bearing.





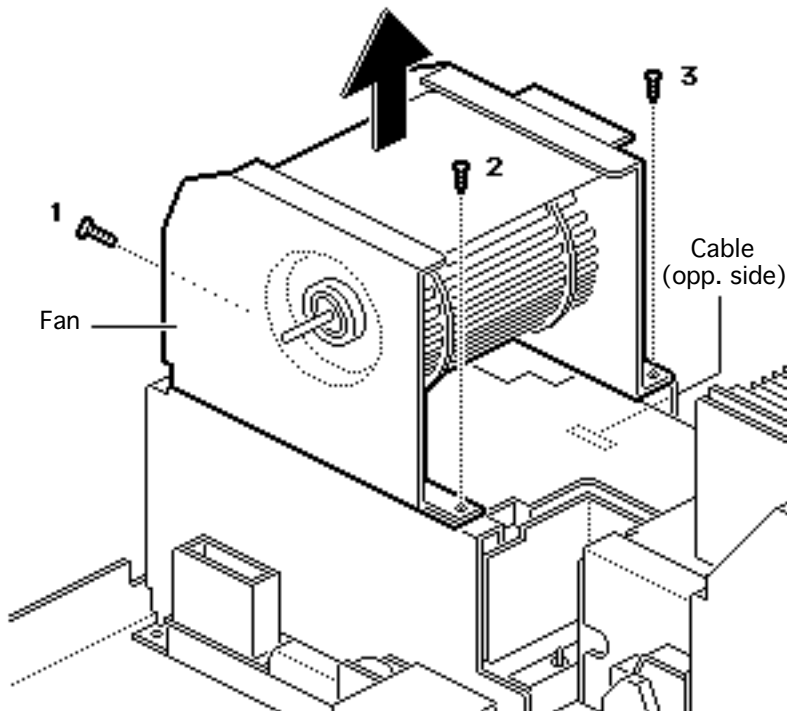
- 1 Remove the two screws that secure the filter case to the fan.
- 2 Pull the filter case and fan duct straight up and out of the printer.





- 3 Remove the three screws that secure the fan to the power supply block.
- 4 Disconnect the cable from the power supply block and remove the fan.





- 3 Remove the three screws that secure the fan to the power supply block.
- 4 Disconnect the cable from the power supply block and remove the fan.

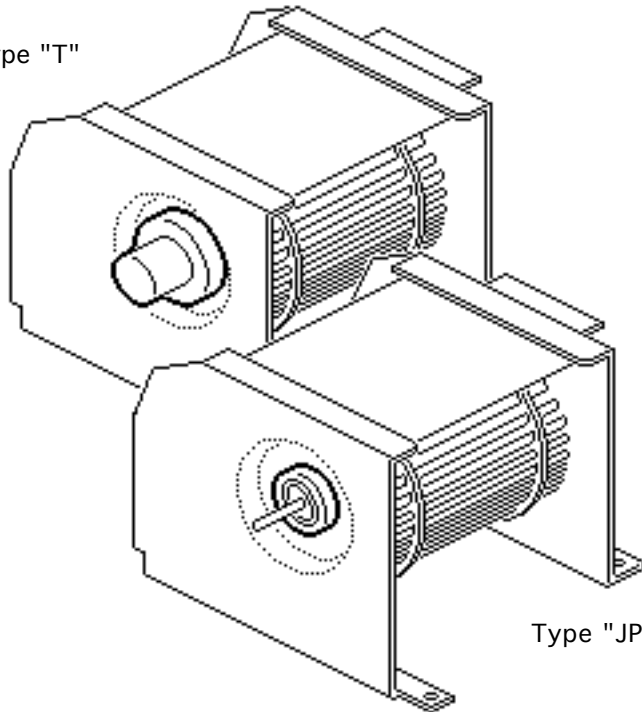




Fan Bushing/Bearing

There are two versions of the upper fan, each with a distinct bushing/bearing design. The Type "JP" design is $5/8$ " in diameter and rests flat against the side of the fan; the Type "T" design is $7/8$ " in diameter with a knob that protrudes from the side of the fan.

Type "T"

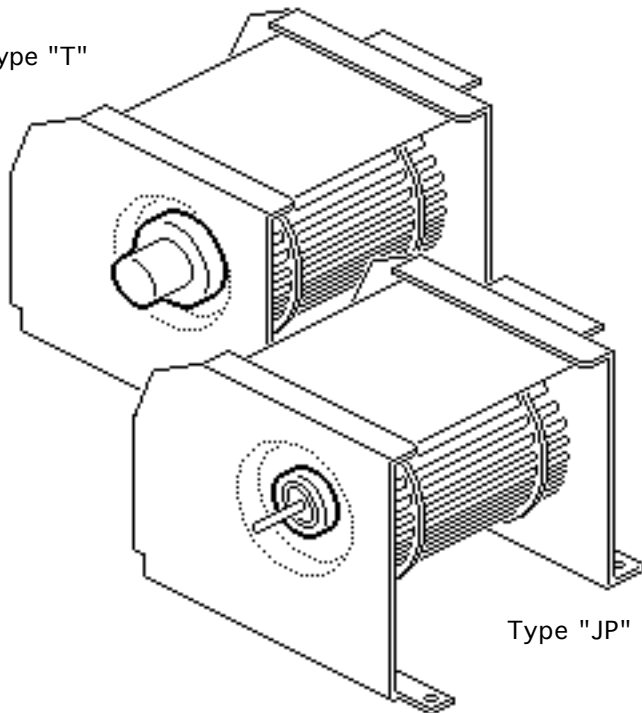


Type "JP"





Type "T"



Type "JP"

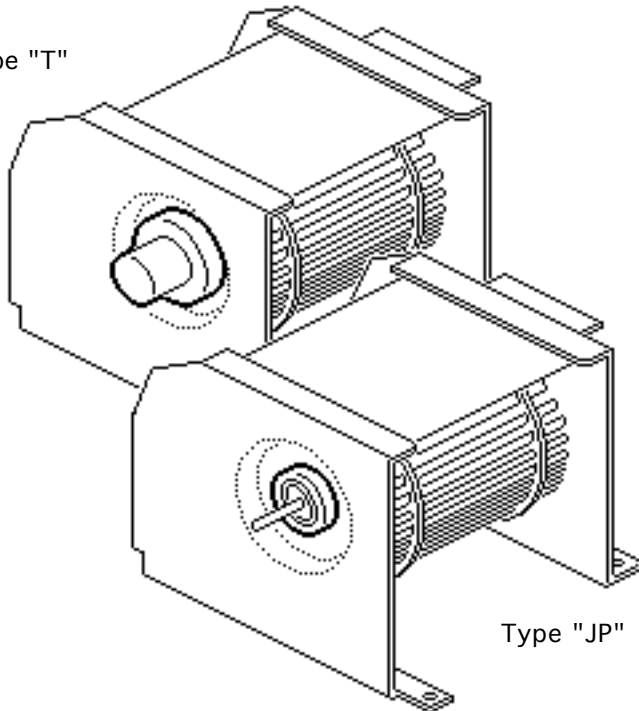
The two bushing/bearing designs are not interchangeable and must be replaced like-for-like.

- 1 Pry the edges of the rubber bushing away from the side of the fan.
- 2 When the rubber bushing is loose, pull the bushing/bearing off the fan motor shaft.





Type "T"

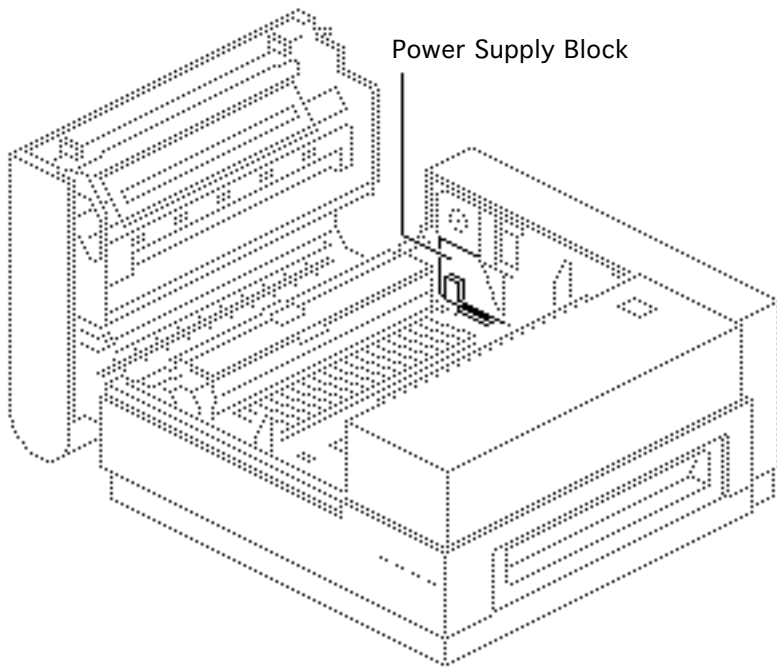


Type "JP"

- 3 If the metal bearing was not removed with the rubber bushing, remove the metal bearing with needlenose pliers.

Replacement Note: Do not push on the end of the protruding rubber knob when installing the Type "T" design. The metal bearing may pop out of the rubber bushing, resulting in incorrect installation.





Power Supply Block

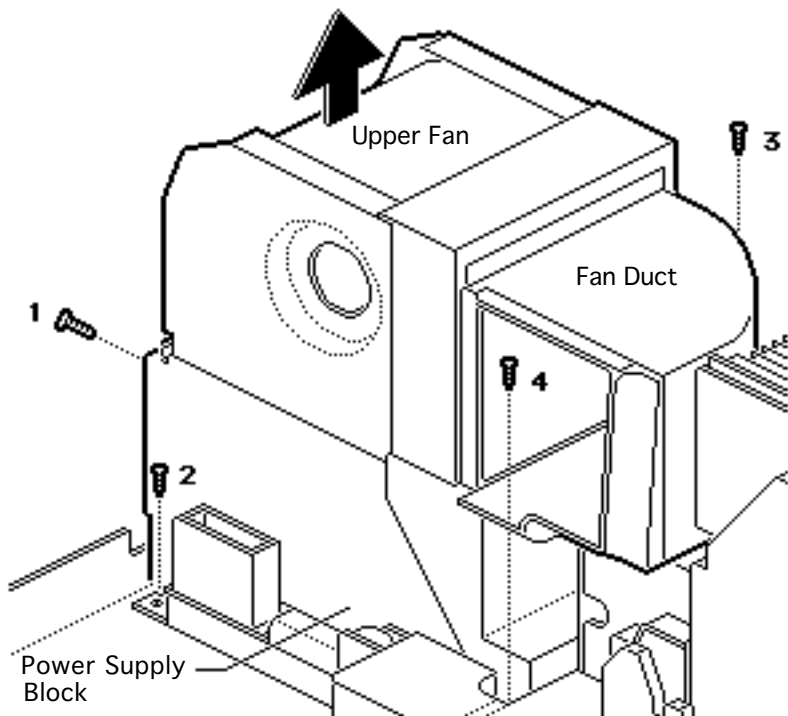
Before you begin, remove the following:

- Cover set
- Fuser assembly

Note: The power supply block sits directly beneath the upper fan and is the point where line voltage enters the printer.

Included in the power supply block are the power switch, the fuser safety board, and circuit breaker CB1.





- 1 Remove the four screws that secure the power supply block to the chassis. Lift the power supply block from the printer.

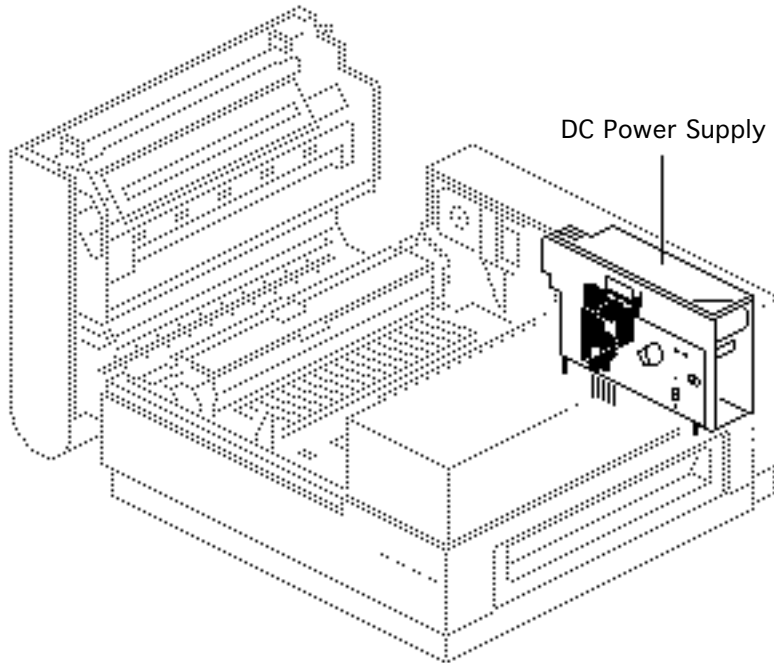
Note: If you are returning the power supply block to Apple, first remove the upper fan and fan duct.





DC Power Supply

Before you begin, remove cover set.

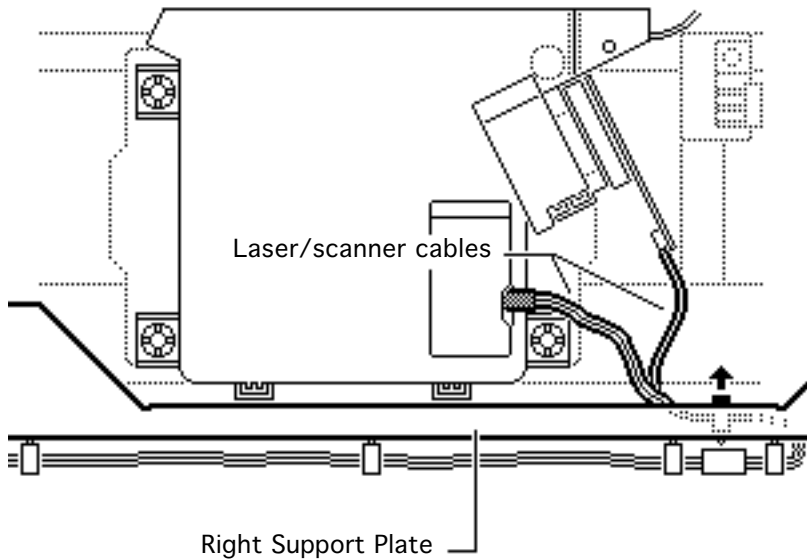


Note: This procedure covers the take-apart of the DC power supply and the fuse. See next topic for removal of the distribution board.





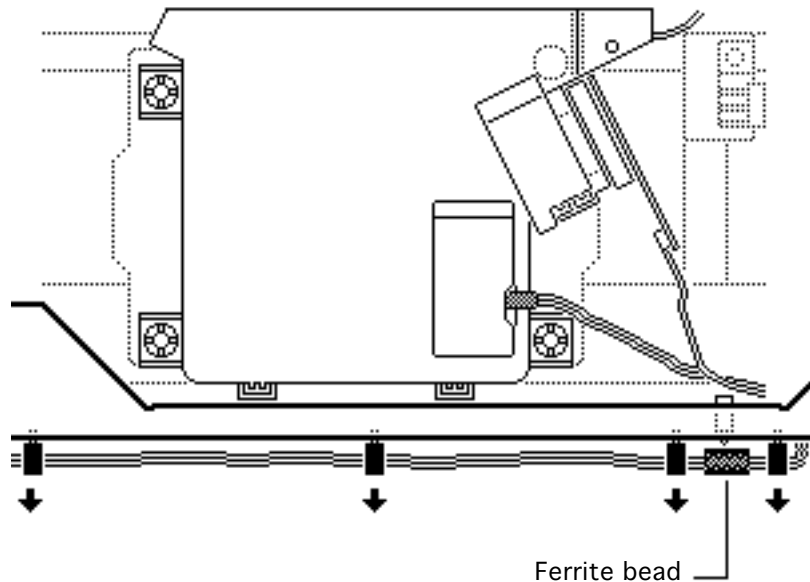
- 1 Remove the laser/ scanner cables from the cable clip behind the right support plate.





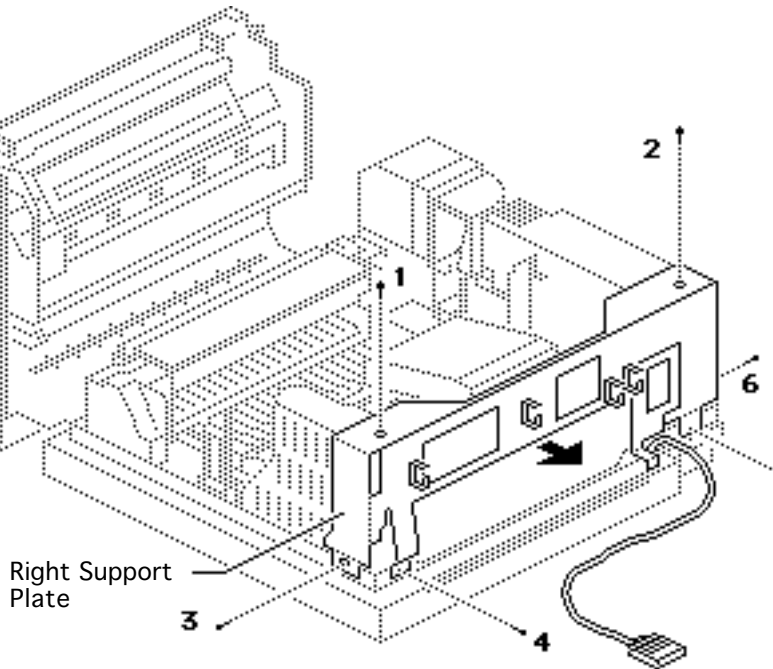
- 2 Remove the status panel cables from the four cable clips on the right support plate.

Replacement Note:
When re-stringing the status panel cables, be sure that the ferrite bead falls between the two rear cable clips.





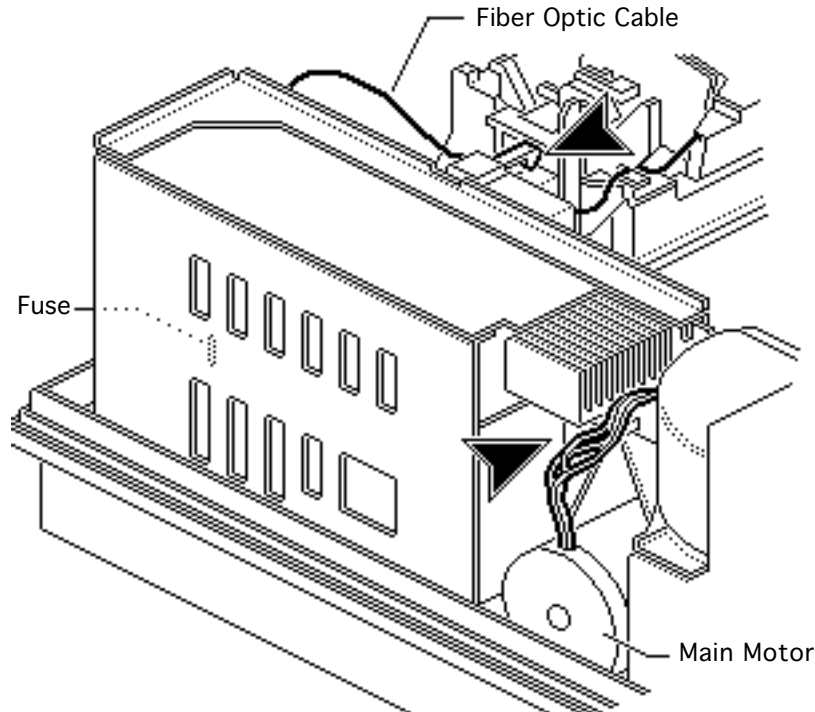
- 3 Remove the six screws that secure the right support plate to the chassis. Set aside the support plate.

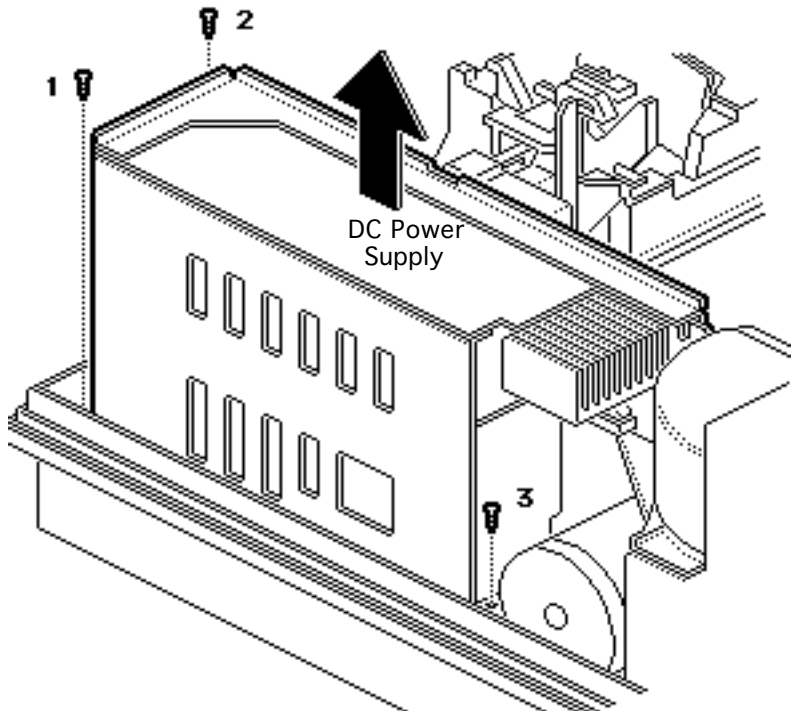




Note: The fuse is located at the rear opening of the DC power supply. To remove the fuse, gently pry it loose from its socket. No further take apart is needed.

- 4 Disconnect the main motor cable from DC power supply connector J3.
- 5 Remove the fiber optic cable from its holder on the distribution cover.





- 6 Remove the three screws that secure the DC power supply to the chassis.

Replacement Note:

Failure to install the DC power supply screws could result in erratic test results due to poor electrical connections.

- 7 Firmly lift the DC power supply straight up and out of the printer.

Note: First remove the distribution board and cover before returning the DC power supply to Apple.



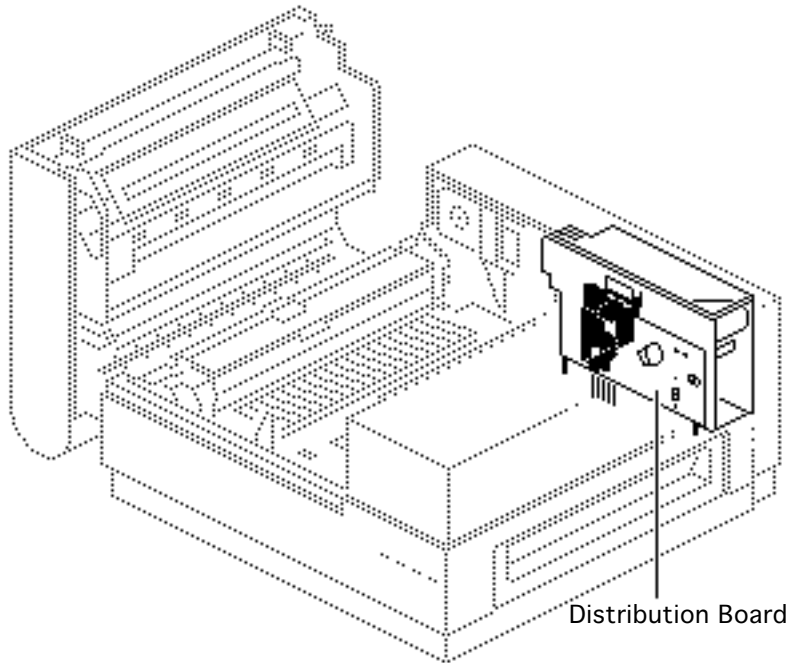


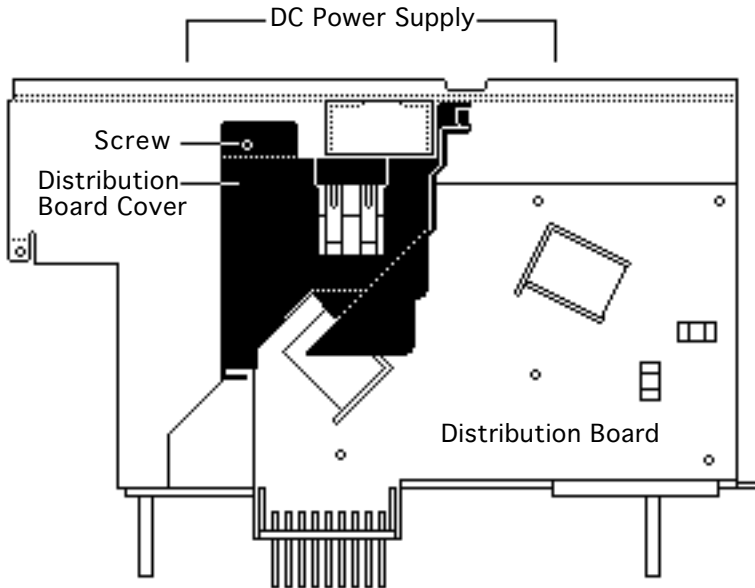
Distribution Board

Before you begin, remove the following:

- Cover set
- DC power supply

Note: The distribution board is the board that distributes power from the DC controller board to the clutch solenoids, paper sensors PS301 and PS302, and the toner cartridge contact sensors. The distribution board is attached to the face of the DC Power Supply when you

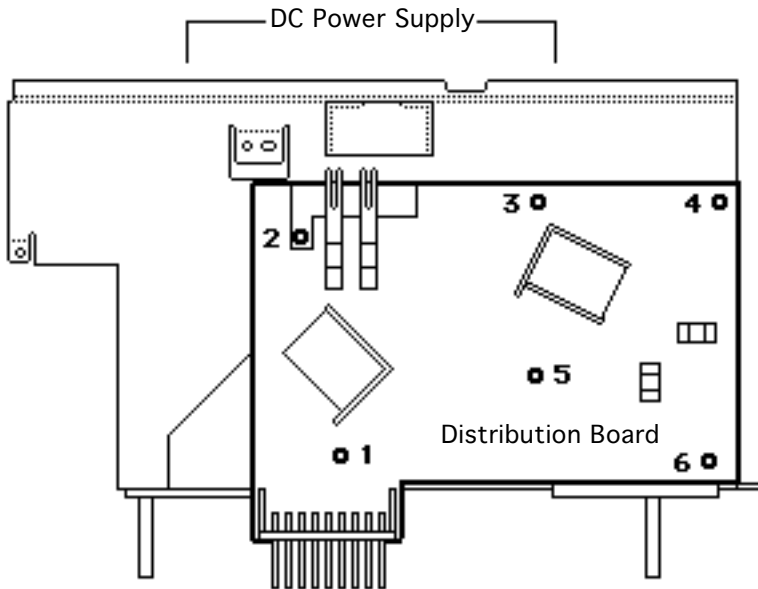




remove the DC Power Supply from the printer.

- 1 Remove the screw that secures the distribution board cover to the DC power supply.
- 2 Remove the cover.





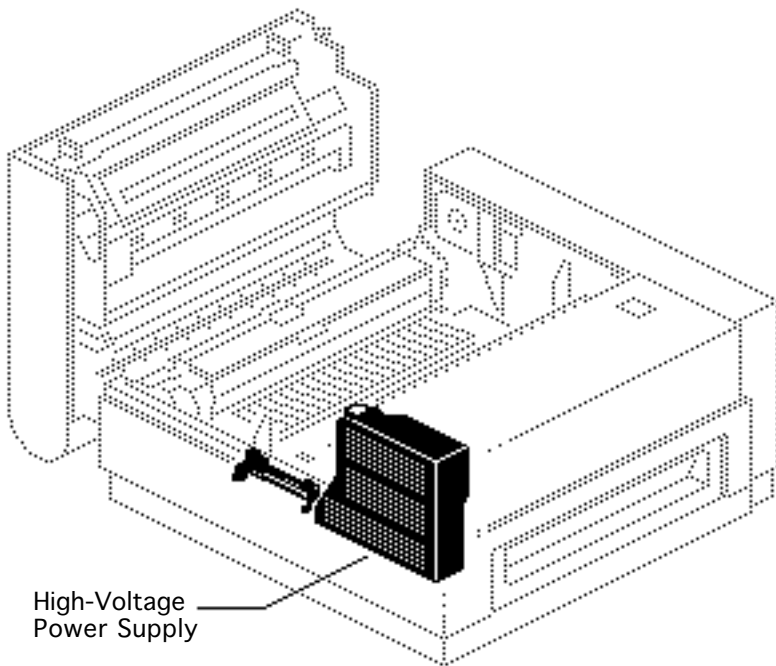
- 3 Remove the six screws that secure the distribution board to the DC power supply.
- 4 Remove the distribution board.





High-Voltage Power Supply

Before you begin, remove the cover set.

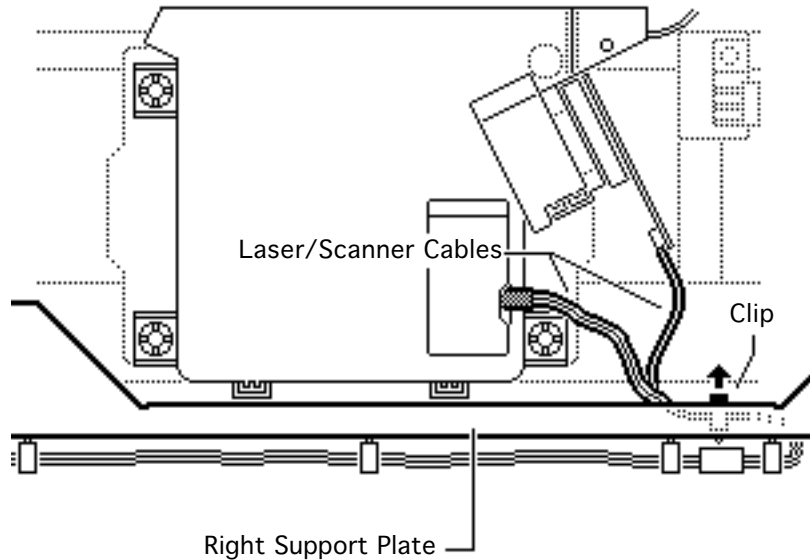


High-Voltage Power Supply





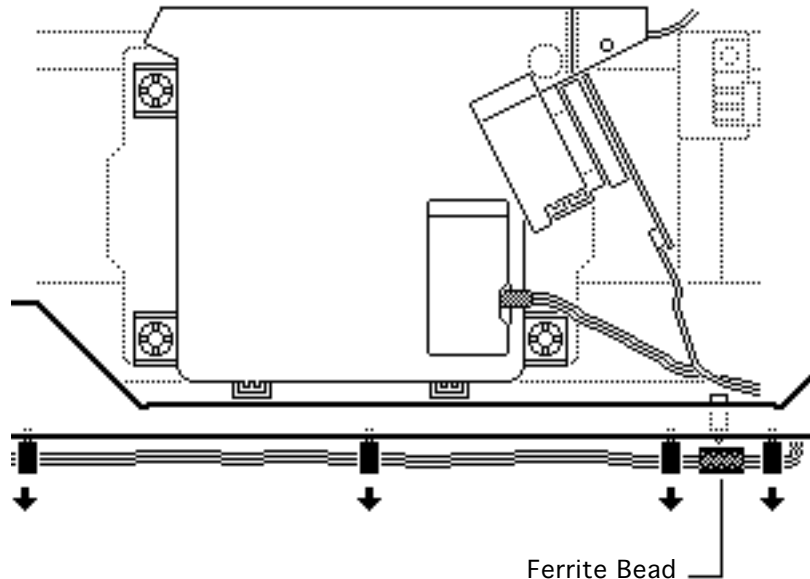
- 1 Remove the laser/ scanner cables from the cable clip behind the right support plate.





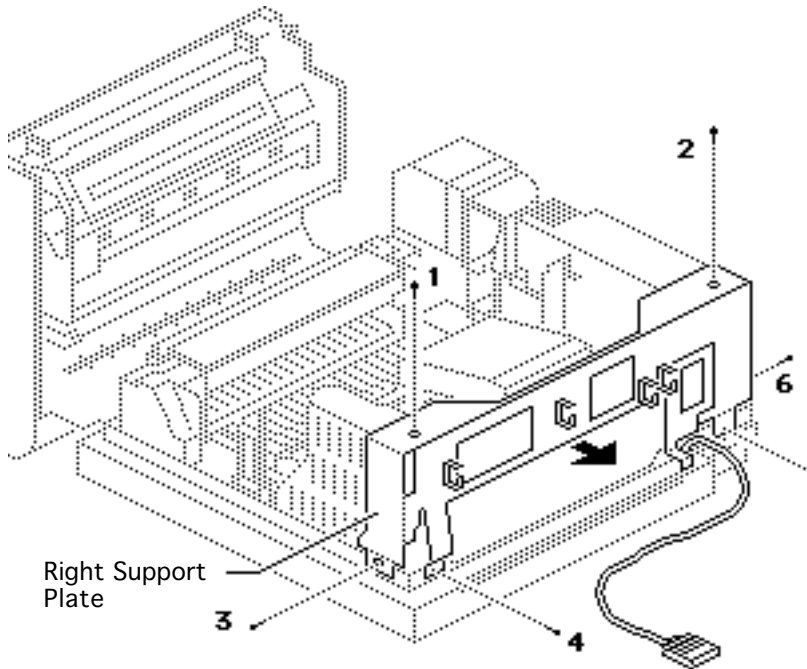
- 2 Remove the status panel cables from the four cable clips on the right support plate.

Replacement Note:
When re-stringing the status panel cables, be sure that the ferrite bead falls between the two rear cable clips.



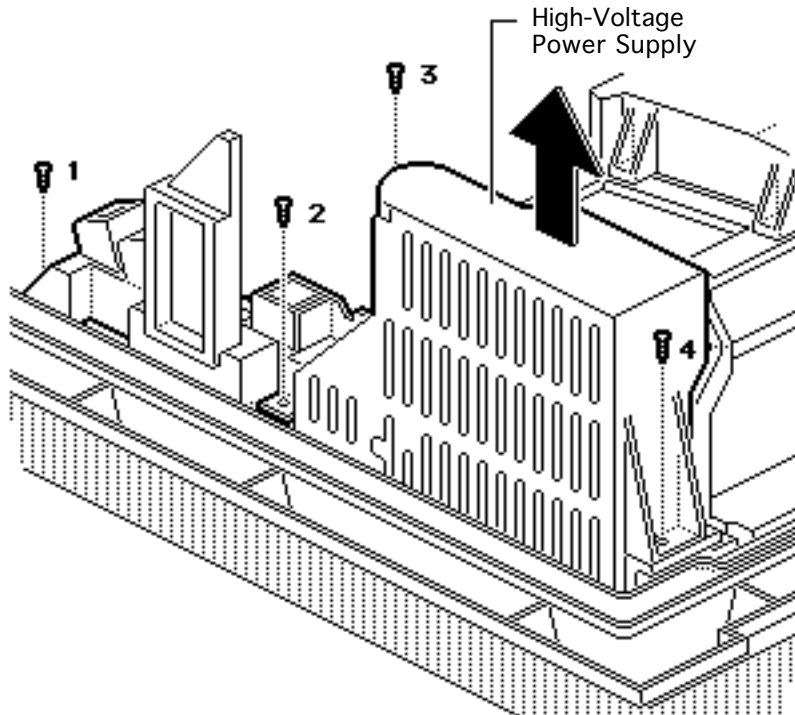


-
-
- 3 Remove the six screws that secure the right support plate to the chassis. Set aside the support plate.



Right Support Plate





- 4 Remove the four screws that secure the high-voltage power supply to the chassis.

Replacement Note: Failure to reinstall the four screws snugly could cause erratic test results due to poor electrical connections. The screw marked (1) is the long silver colored one.

- 5 Lift out the high-voltage power supply.

Replacement Note: Be sure the connector on the





bottom of the high-voltage power supply mates properly with the receptacle.



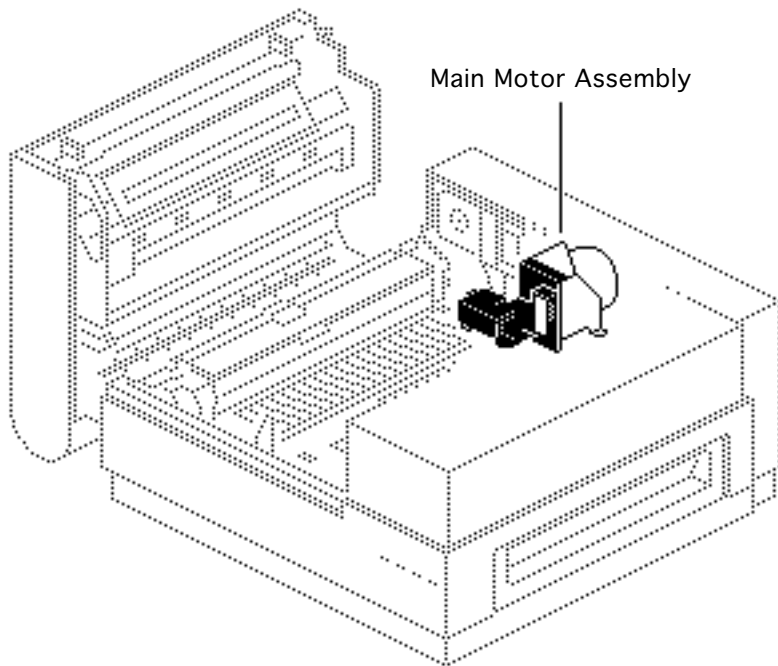


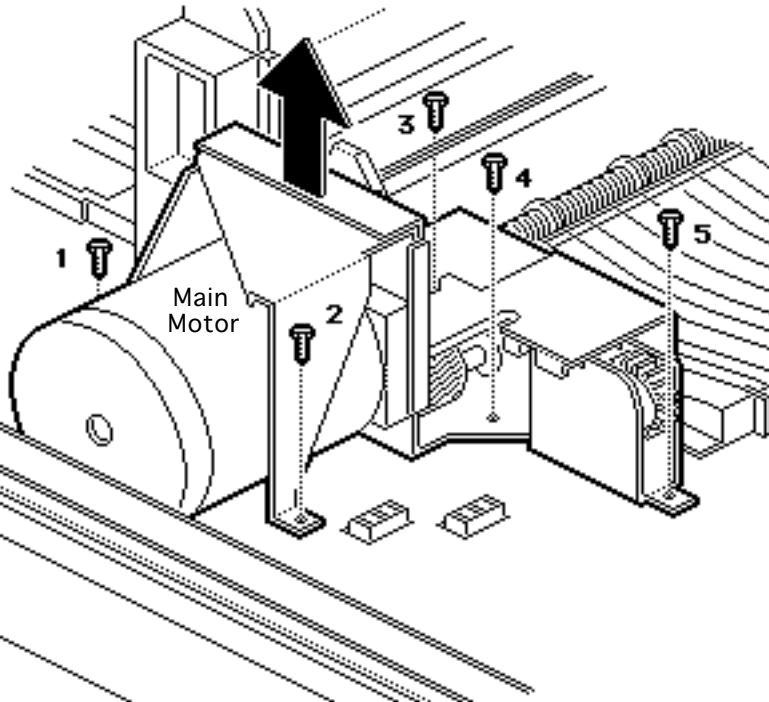
Main Motor Assembly

Before you begin, remove the following:

- Cover set
- Fuser assembly
- Power supply block
- DC power supply

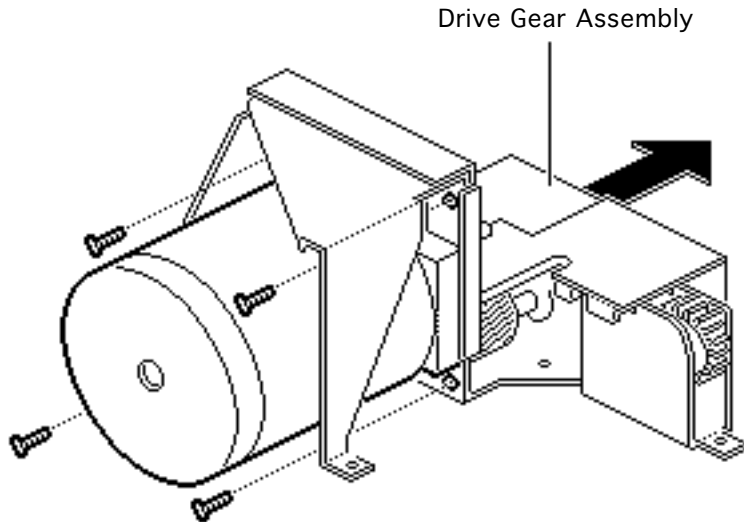
Note: The drive gear assembly is a part of the main motor assembly.





- 1 Remove the five screws that secure the main motor assembly to the chassis. Lift out the main motor.





- 2 To remove the drive gear assembly, remove the four screws that secure it to the main motor.
- 3 Separate the main motor from the drive gear assembly.



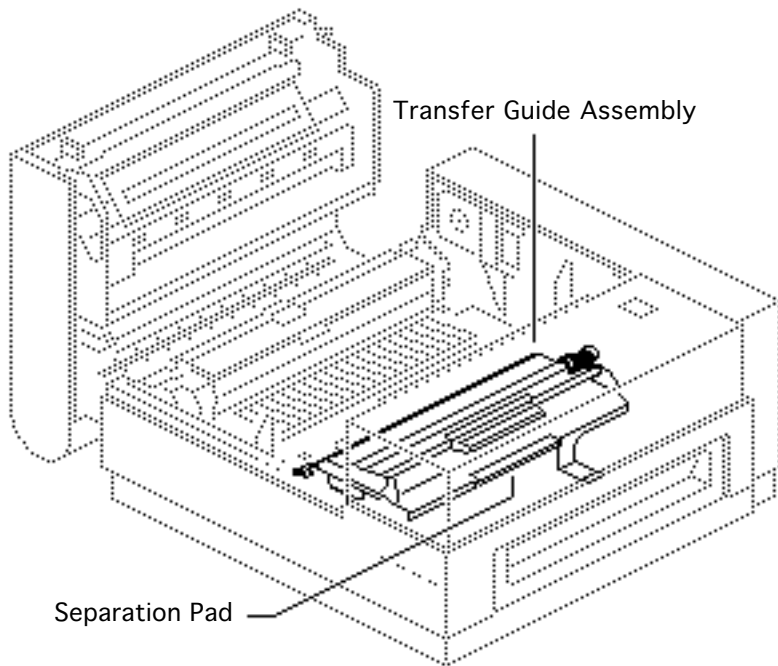


Transfer Guide Assembly

Before you begin, remove the cassette tray.

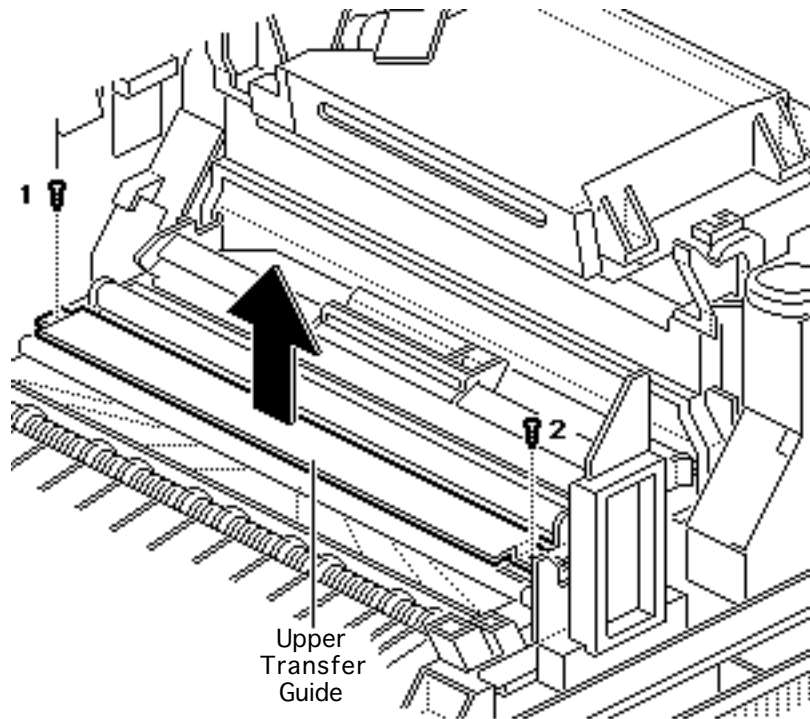
Note: This procedure also covers the take apart of the separation pad.

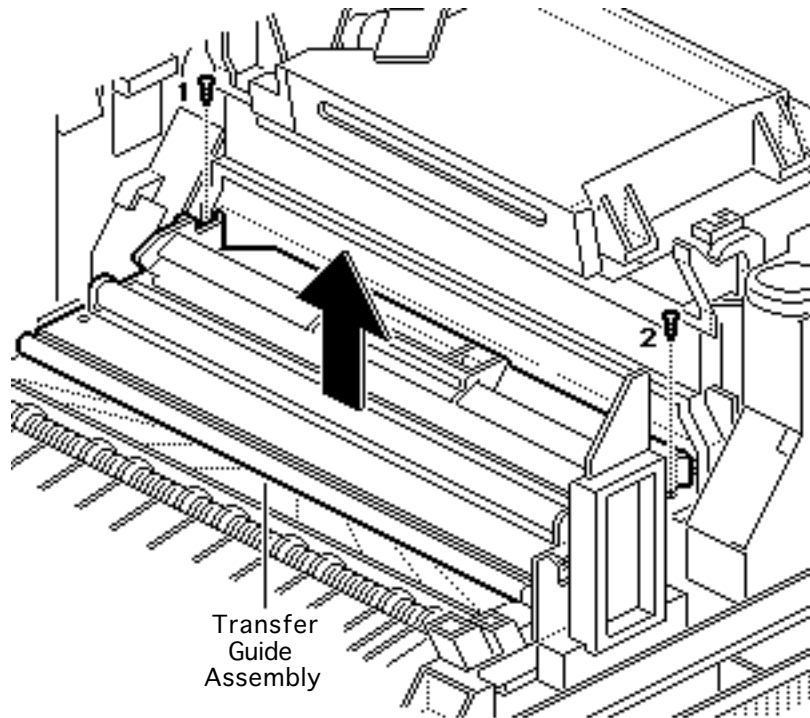
- 1 Depress the release button and open the top cover.





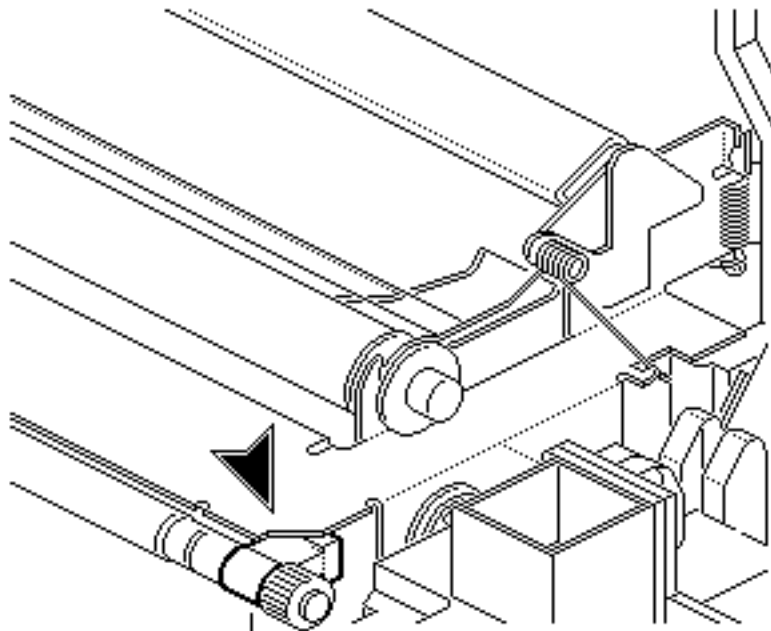
- 2 Remove the two screws that secure the upper transfer guide to the upper transfer assembly.





- 3 Remove the two screws that secure the transfer guide assembly to the cassette holder. Lift the transfer guide assembly from the printer.





Collar (shown in correct position)

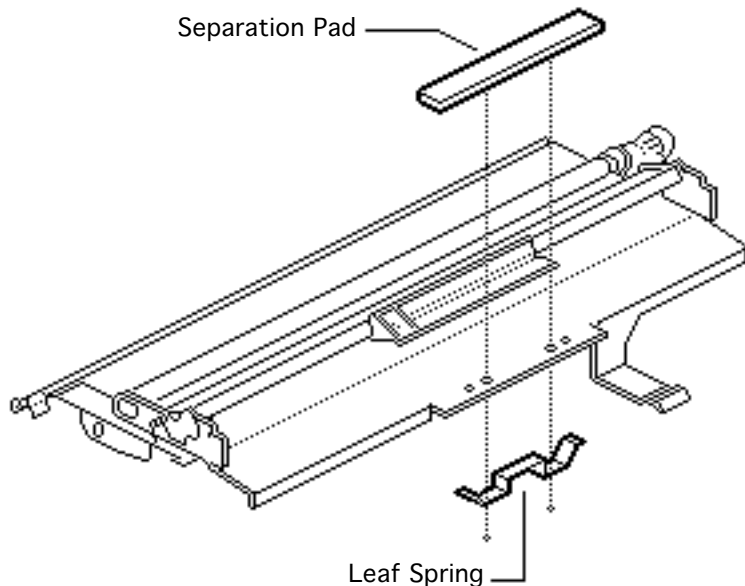
Replacement Note: Make sure that the copper collar at the end of the roller shaft is positioned beneath the adjacent plate.

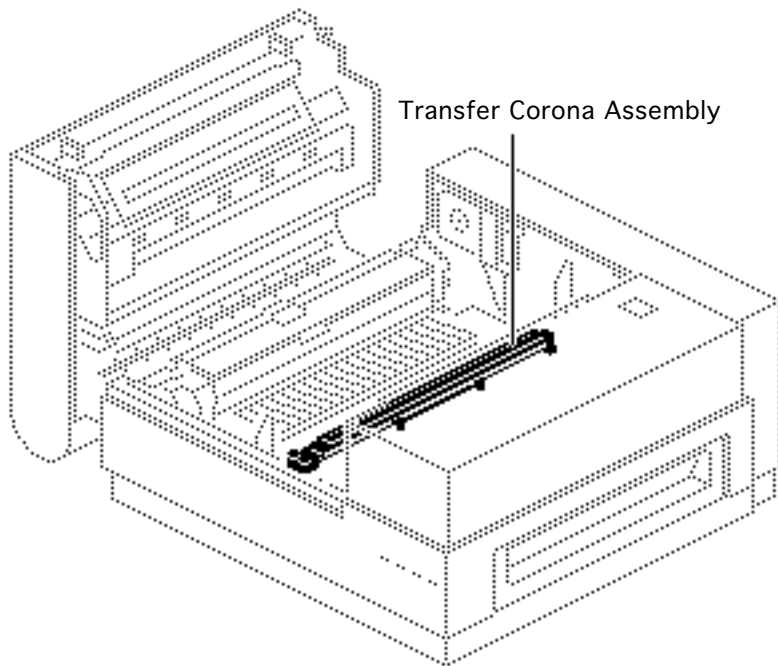




Separation Pad

- 1 If you need to replace the separation pad, remove the two screws that secure the leaf spring and separation pad to the transfer guide assembly.
- 2 Lift off the separation pad.





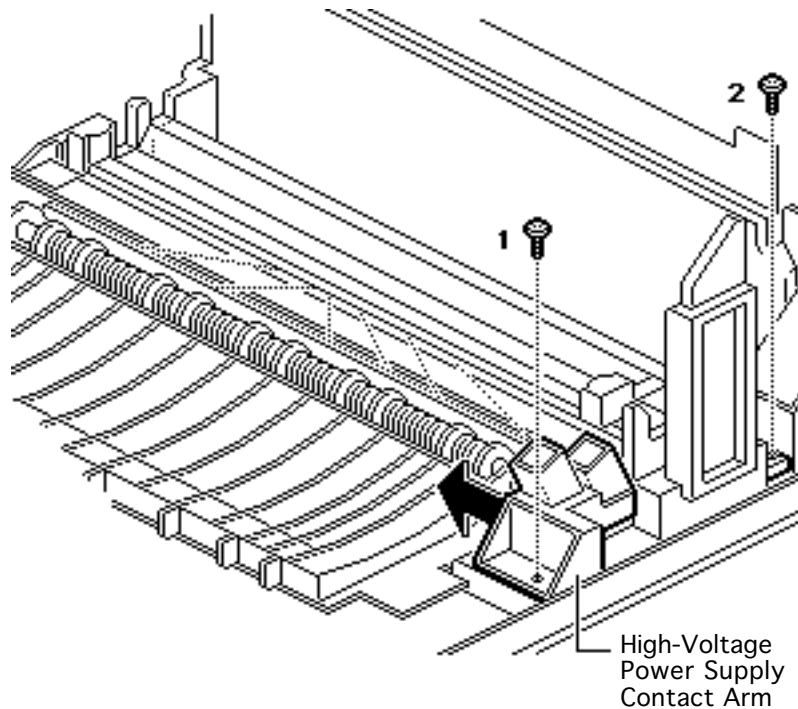
Transfer Corona Assembly

Before you begin, remove the following:

- Cover set
- Transfer guide assembly

Note: This procedure also covers the restringing of the corona wire.



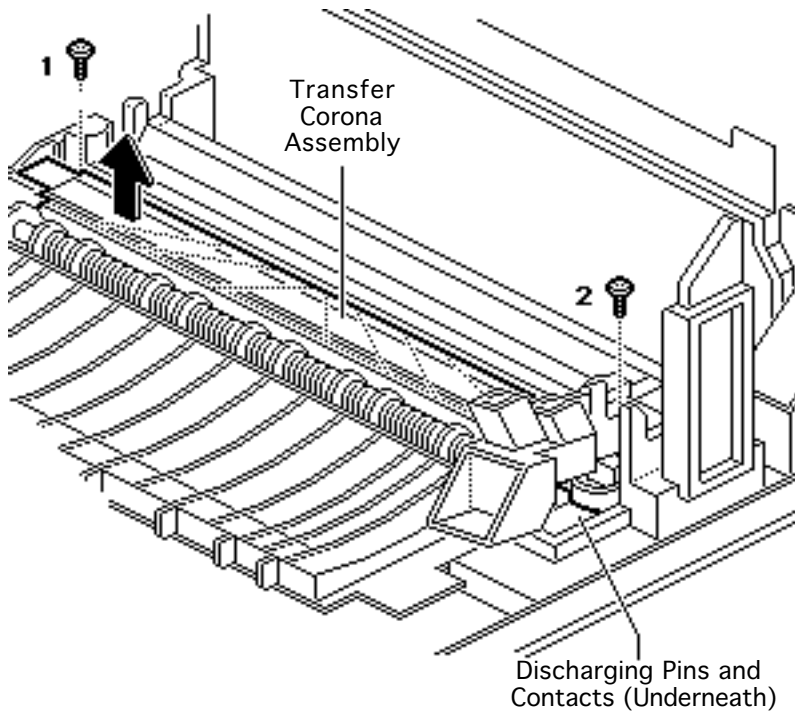


- Note:** The contact arm of the high-voltage power supply must be loosened for access to a screw. You may ignore the procedure described below if the high-voltage power supply has already been removed .

Remove the two screws and pull the contact arm of the high-voltage power supply slightly up and toward the center of the printer.

Replacement Note: Be sure that the silver-





colored screw (1) goes into the grounding hole closest to the fuser.

Note: The discharging pins and contacts are accessible at this point for inspection and cleaning, if need be.

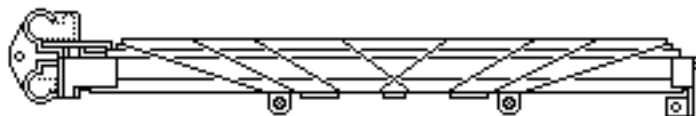
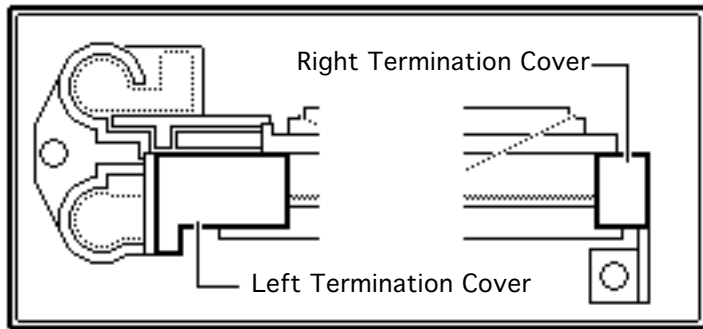
- 2 Remove the two screws that secure the transfer corona assembly to the chassis.
- 3 Lift the side of the transfer corona assembly closest to the drive gears and pull it out of the printer.

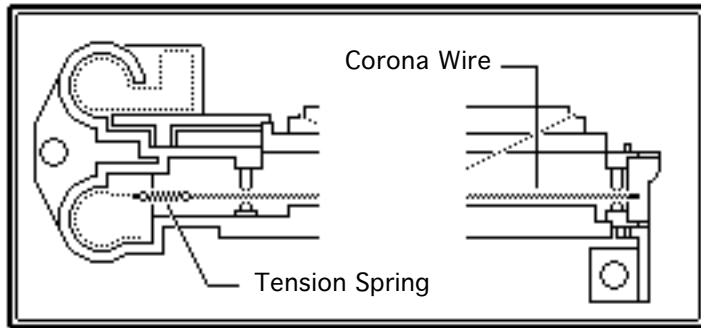




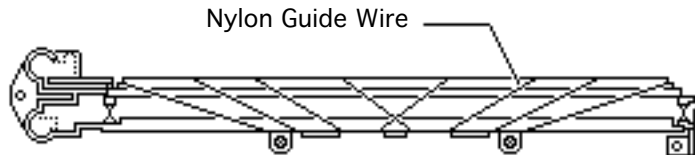
Corona Wire Restrunging

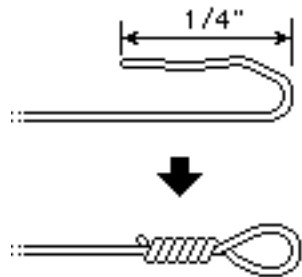
- 1 Unsnap and remove both corona wire termination covers.



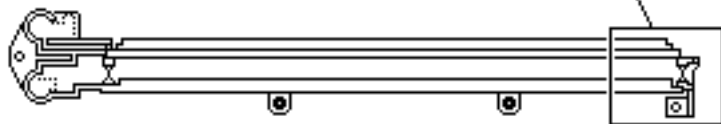
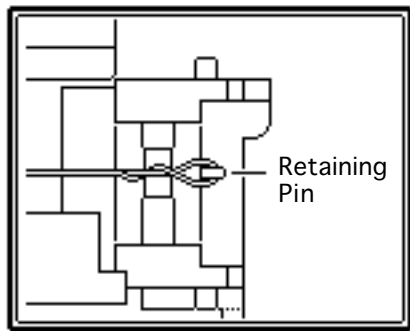


- 2 Remove the tension spring from the end of the corona wire.
- 3 Loosen the two screws that hold the nylon guide wire to the corona assembly. Remove the nylon guide wire.
- 4 Remove the corona wire.



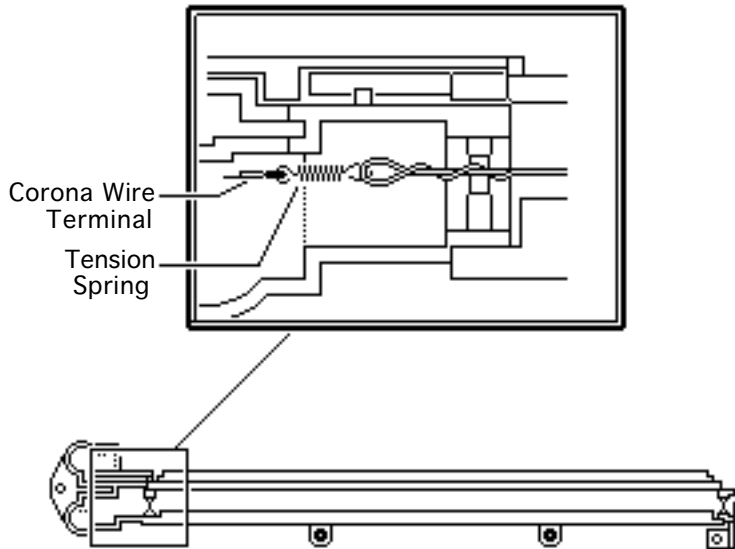


End of Corona Wire



- 5 Fold back approximately 1/4 " length of the new corona wire and twist six to eight times to form a loop at the end of the wire.
- 6 Hook the looped end over the retaining pin at the right end of the assembly.

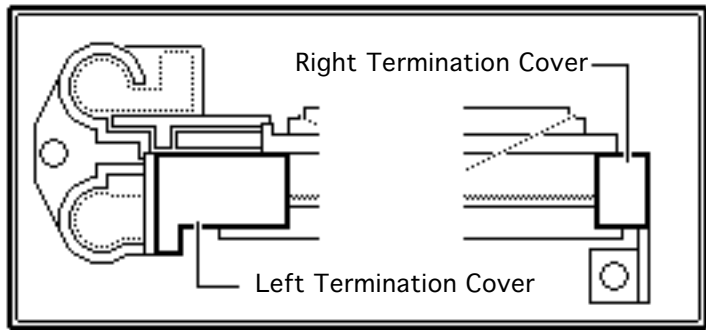




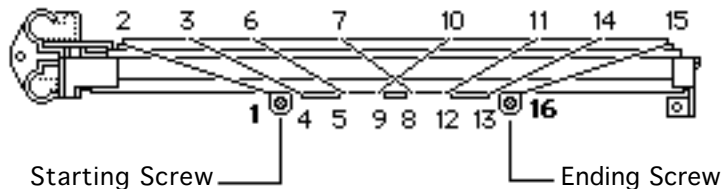
- 7 Stretch the wire across the length of the corona assembly until it reaches the corona wire terminal.
- 8 Loop the left end of the wire in the same manner as the right.
- 9 Hook one end of the tension spring onto the loop and the other end of the spring onto the corona wire terminal.

Note: The wire should be clean and without kinks and taut enough to remain straight.





- 10 Replace the termination covers.
- 11 Fasten one end of the guide wire with the screw at location 1, wind the wire tightly around the corona assembly in the order shown, and fasten the other end of the wire with the screw at location 16.



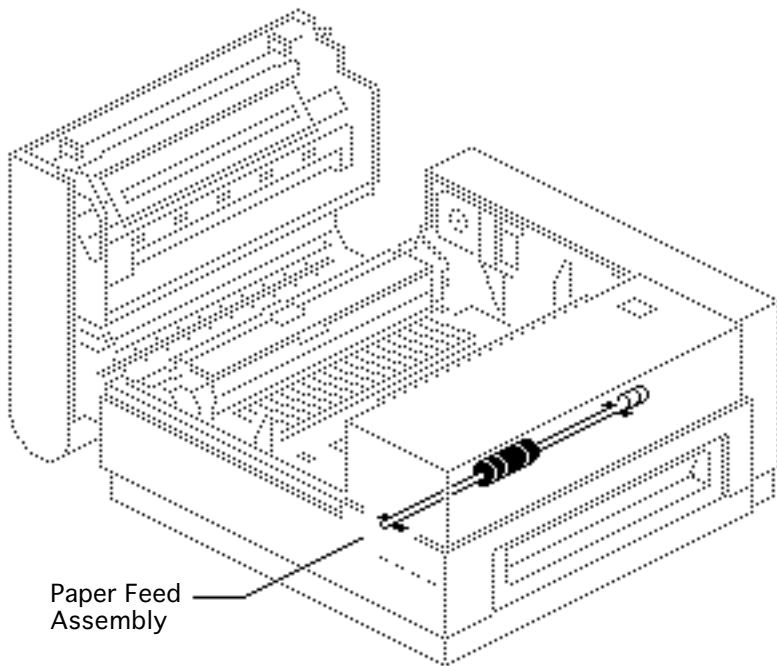


Paper Feed Assembly

Before you begin, remove the following:

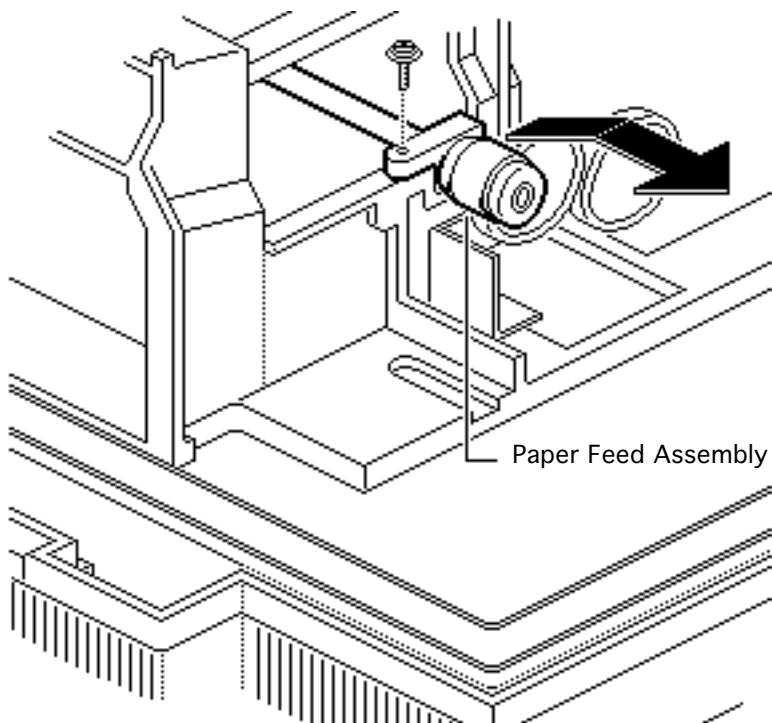
- Cover set
- DC power supply

Note: This procedure covers the take apart of the paper feed assembly and the removal of the pickup roller.



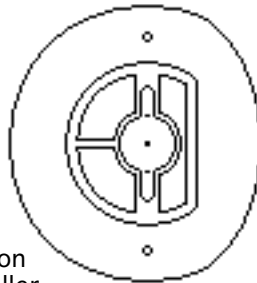
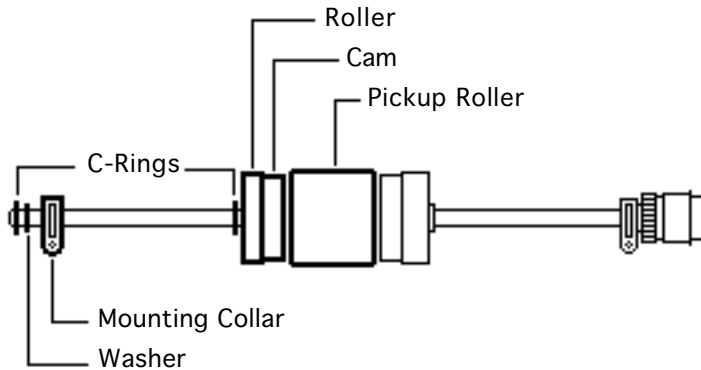
Paper Feed Assembly





- 1 Remove the two screws that secure the paper feed assembly to the main body block (screw at left end not shown).
- 2 Pull the paper feed assembly out of the main body block toward the rear of the printer.





Cross Section
of Pickup Roller

3 To remove the pickup roller from the paper feed assembly, remove the following items from the paper feed roller shaft.

- Two C-rings
- Washer
- Mounting collar
- Roller
- Cam

4 Slide off the pickup roller.

Replacement Note: Clean all rollers and cams prior to replacing the paper feed assembly. Failure to do so





could cause stains on printed pages.

When installing the pickup roller and cam, be sure that their flat edges align on the same side.



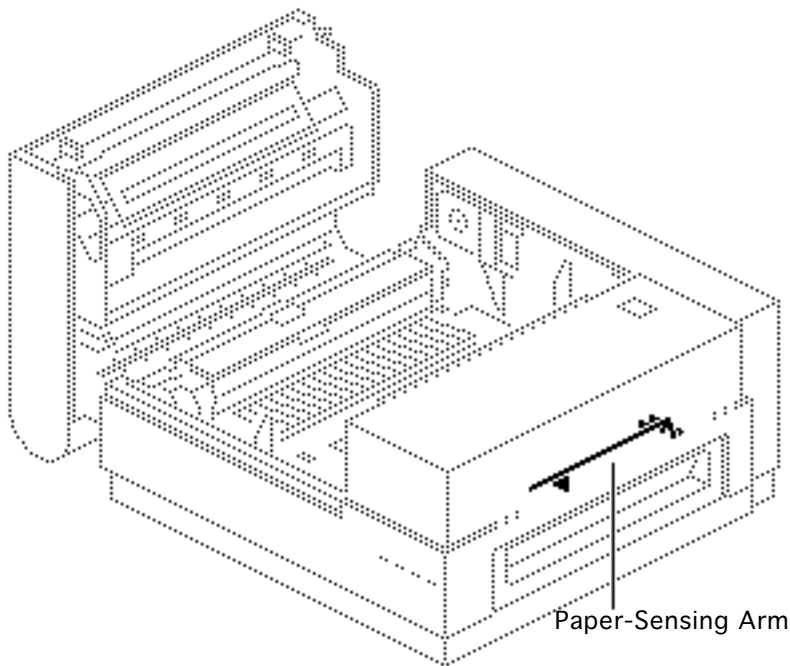


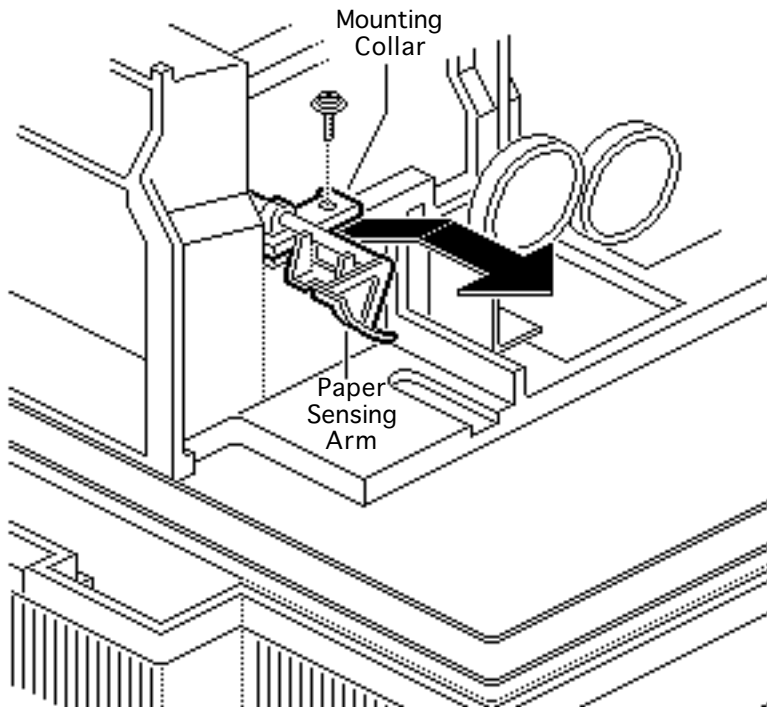
Paper-Sensing Arm

Before you begin, remove the following:

- Cover set
- DC power supply

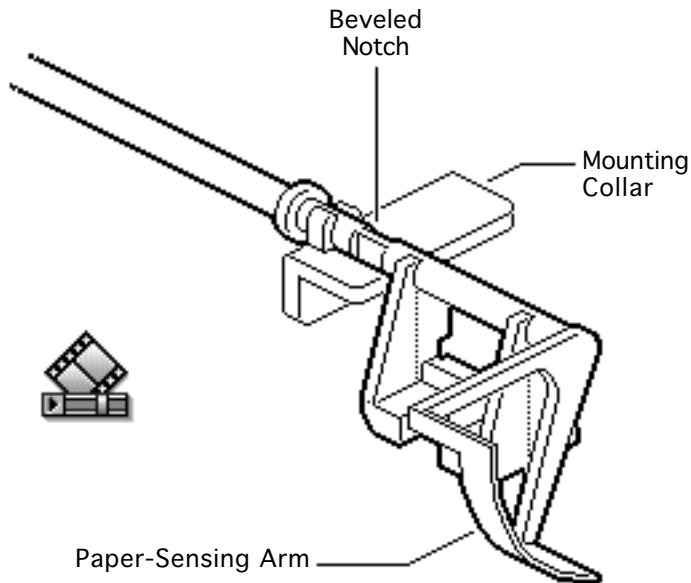
Caution: The arm is not designed to snap out of the mounting collar. Trying to do so can break the arm.





- 1 Remove the screw from the mounting collar and pull the sensing arm and collar out of the main body block toward the rear of the printer.





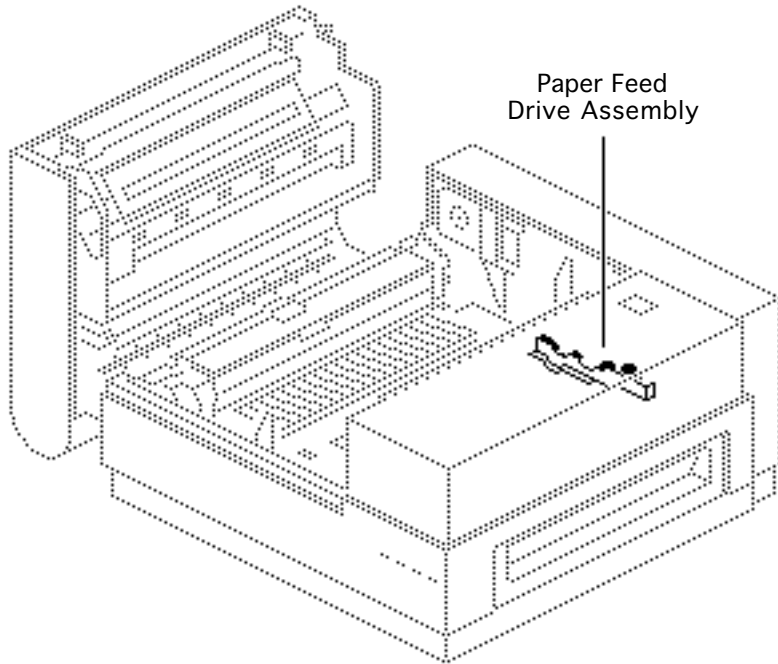
- 2 Rotate the mounting collar 180° relative to the paper-sensing arm, slide the bracket so that it aligns with the beveled notch in the arm, and separate the arm from the mounting collar.

Replacement Note: Make sure that the inside leading edge of the arm seats properly in the auxiliary guide.





Paper Feed Drive Assembly



Before you begin, remove the following:

- Cover set
- Fuser assembly
- Power supply block
- DC power supply
- Main motor assembly
- Transfer guide assembly
- Transfer corona assembly

Note: The paper feed drive assembly is the geared mechanism that transfers mechanical drive from the main motor to the transfer

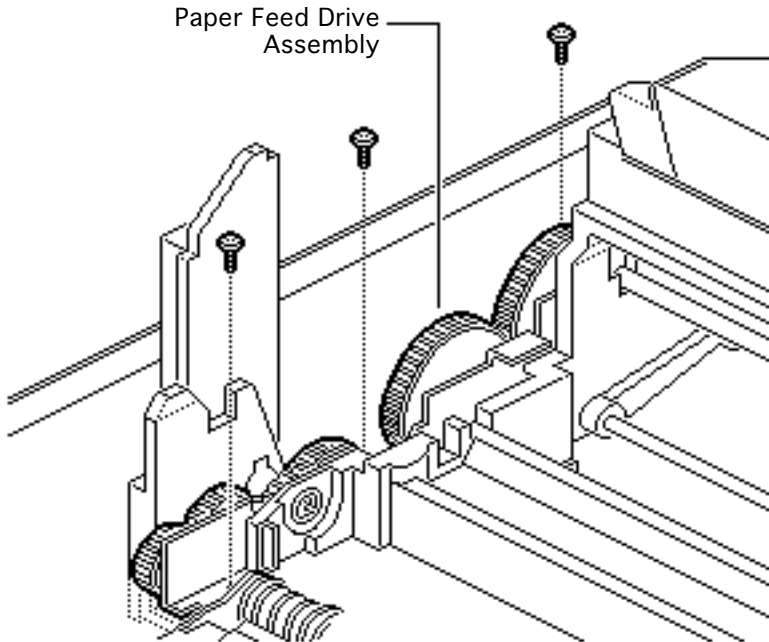




guide assembly and paper feed assembly.

This procedure also entails the removal of the 19-tooth paper pickup gear and the 57-tooth paper pickup gear.





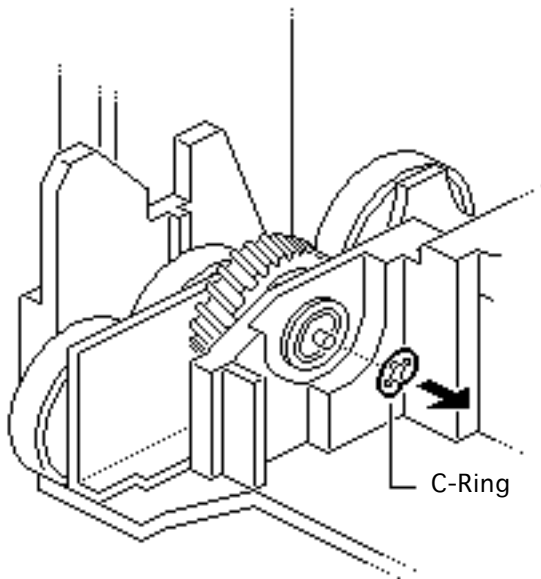
Note: It is necessary to unscrew and loosen the collar bracket at the gear end of the paper feed assembly to gain access to perform this procedure.

- 1 Remove the three screws that secure the paper feed drive assembly to the main body block.



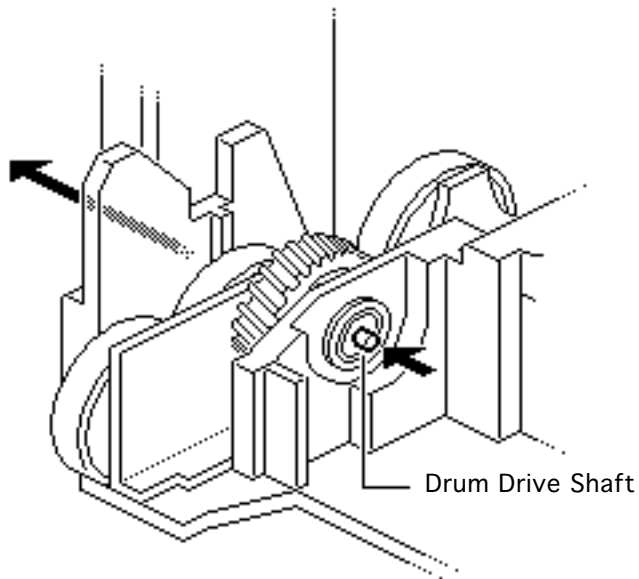


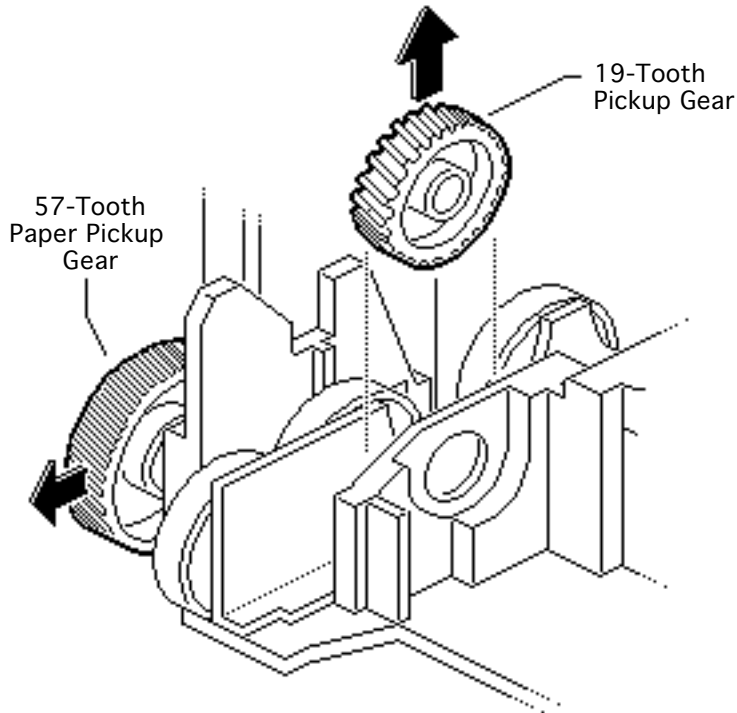
- 2 Remove the C-ring that keeps the drum drive shaft in place.





- 3 Slide the drum drive shaft through the body block supports toward the rear of the printer.

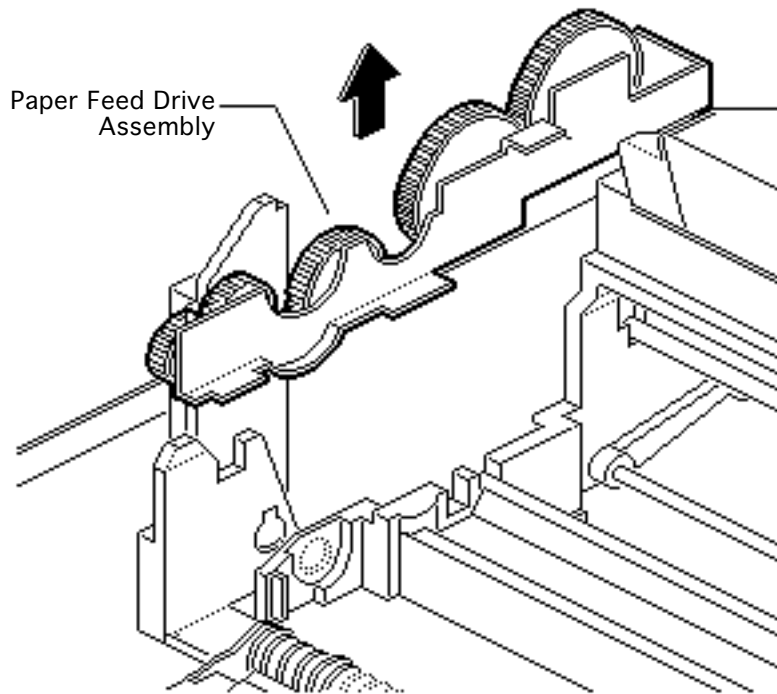




- 4 Lift out the 19-tooth paper pickup gear.

Note: If you need to inspect or replace it, slide out the 57-tooth paper pickup gear.





- 5 Lift out the paper feed drive assembly.

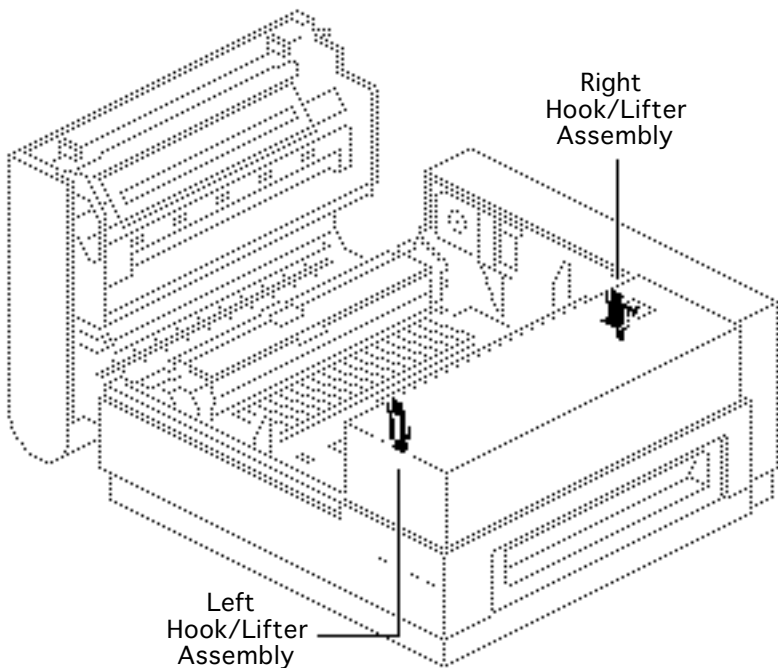


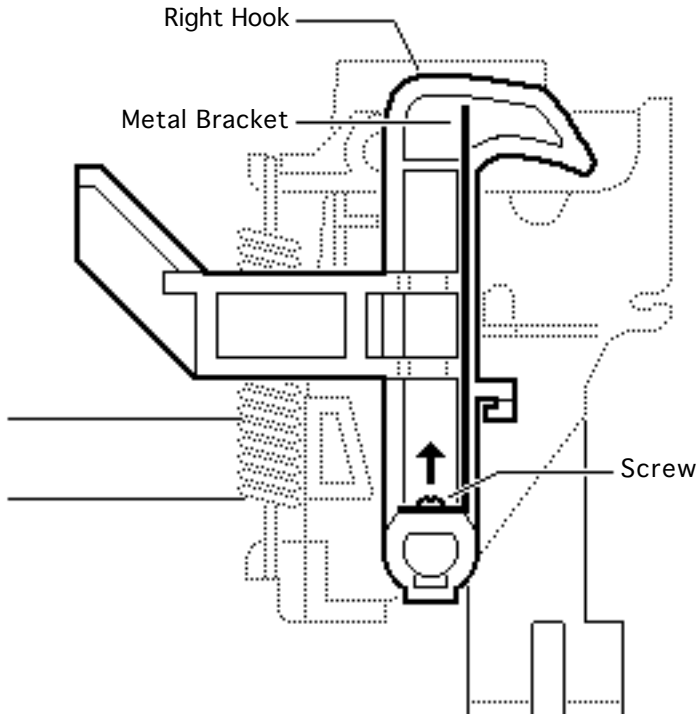


Hook/Lifter Assemblies

Before you begin, remove the cover set.

Note: The hook/lifter assemblies are latching and release mechanisms for the upper clamshell and are available as component parts only (see Illustrated Parts). These assemblies consist of a hook, lifter, and hook guide on either side of the laser/scanner assembly. The parts are not interchangeable from left to right.





Right Hook/Lifter Assembly

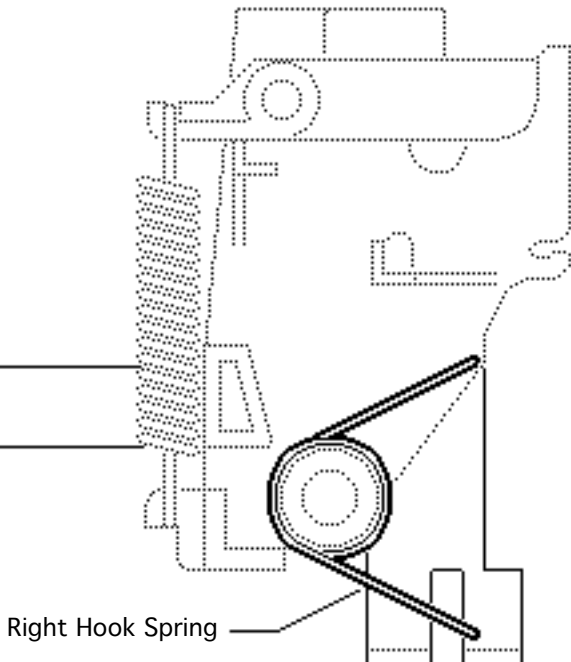
Note: Removal of the DC power supply is required for access to the right hook and lifter assembly.

- 1 Remove the screw that secures the right hook and metal bracket to the hook shaft. Slide off the right hook.





- 2 Slide off the right hook spring.

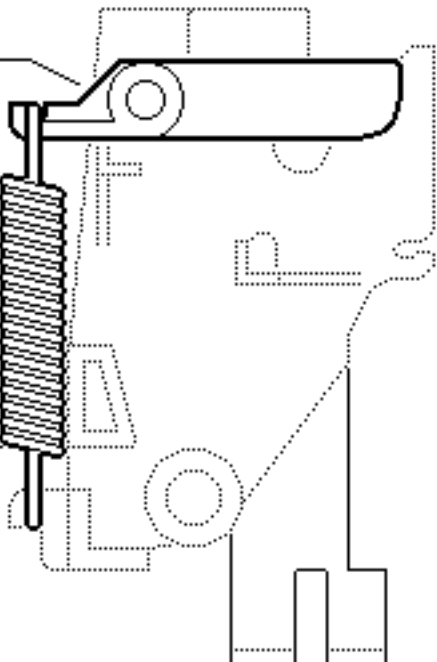


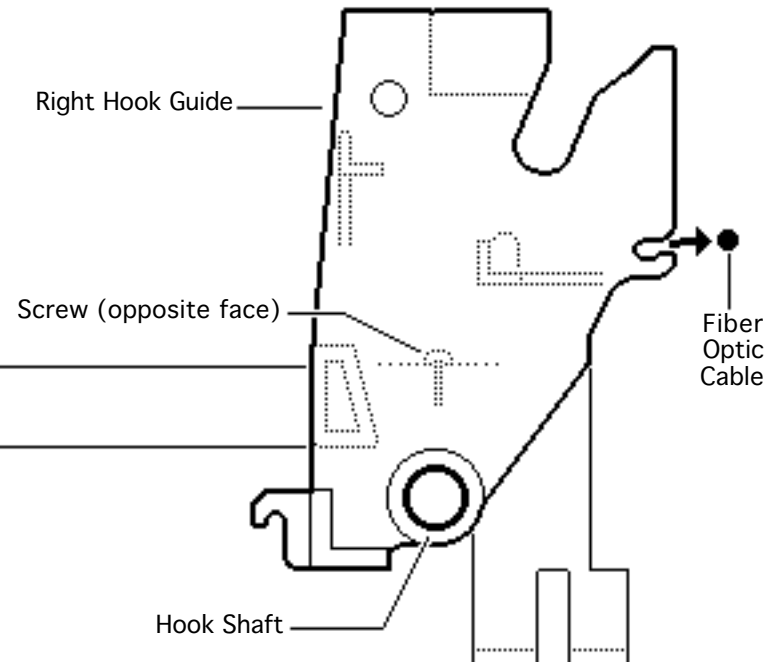


- 3 Remove the right lifter and lifter spring from the right hook guide.

Right Lifter

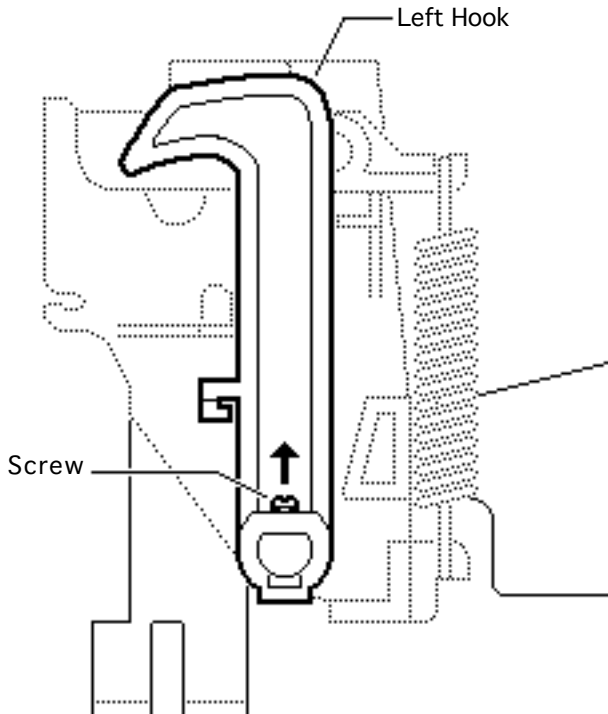
Lifter Spring





- 4 Remove the screw that secures the right hook guide to the main body block.
- 5 Lift the right hook guide slightly to clear the positioning pins (not shown) and slide it off the hook shaft.





Left Hook/Lifter Assembly

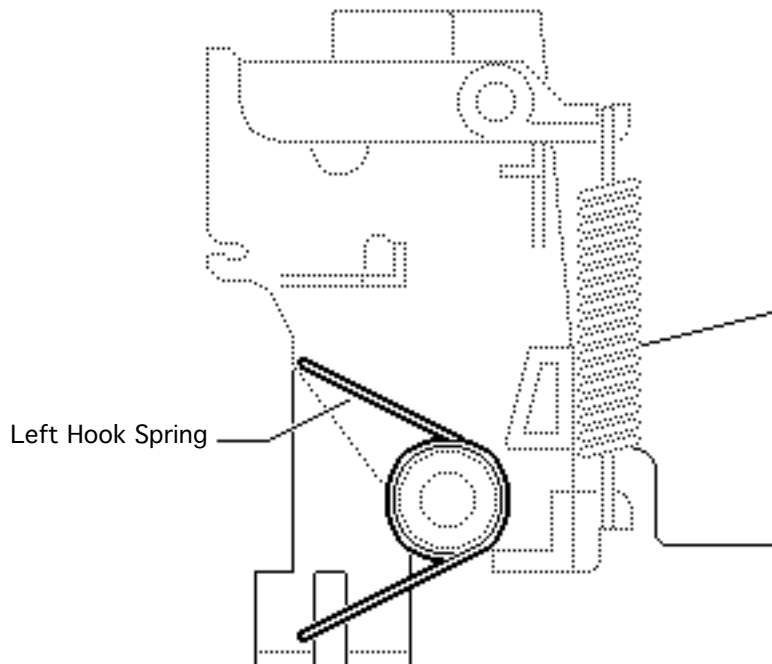
Note: Removal of the high-voltage power supply is required for access to the left hook and lifter assembly.

- 1 Remove the screw that secures the left hook to the hook shaft and slide off the left hook.



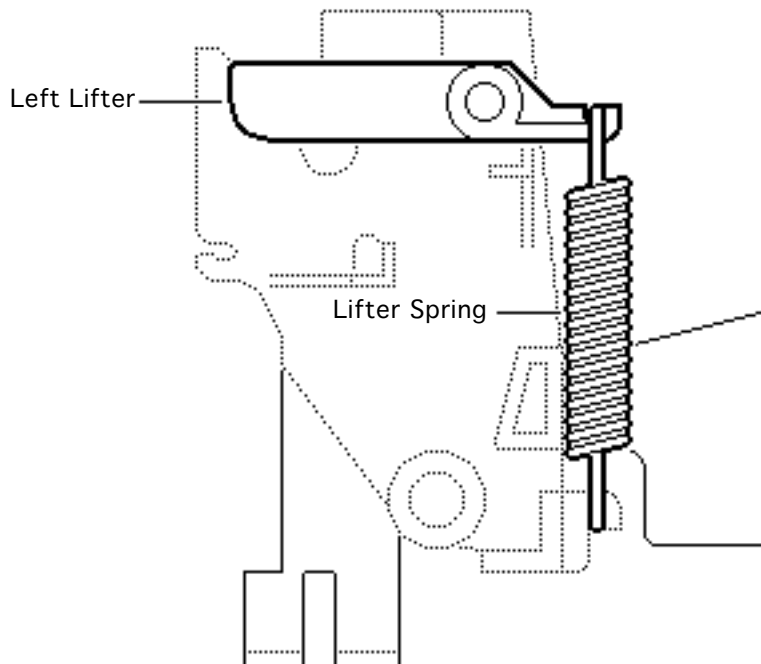


- 2 Slide off the left hook spring.





- 3 Remove the left lifter and lifter spring from the left hook guide.

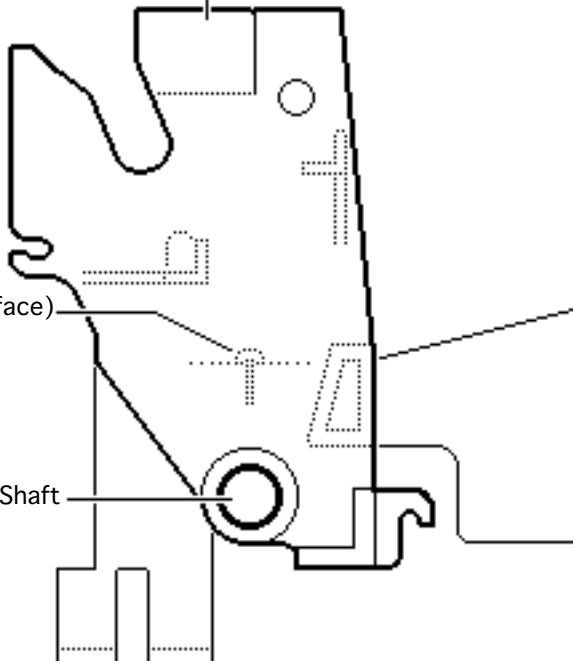




Left Hook Guide

Screw (opposite face)

Hook Shaft



- 4 Remove the screw that secures the left hook guide to the main body block.
- 5 Lift the left hook slightly to clear the positioning pins and slide it off the hook shaft.



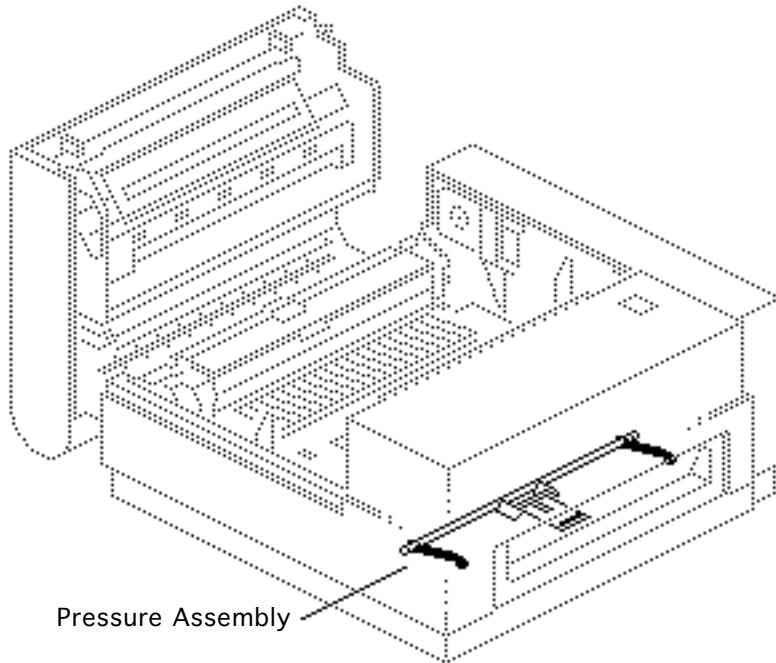


Pressure Assembly

Before you begin, remove the following:

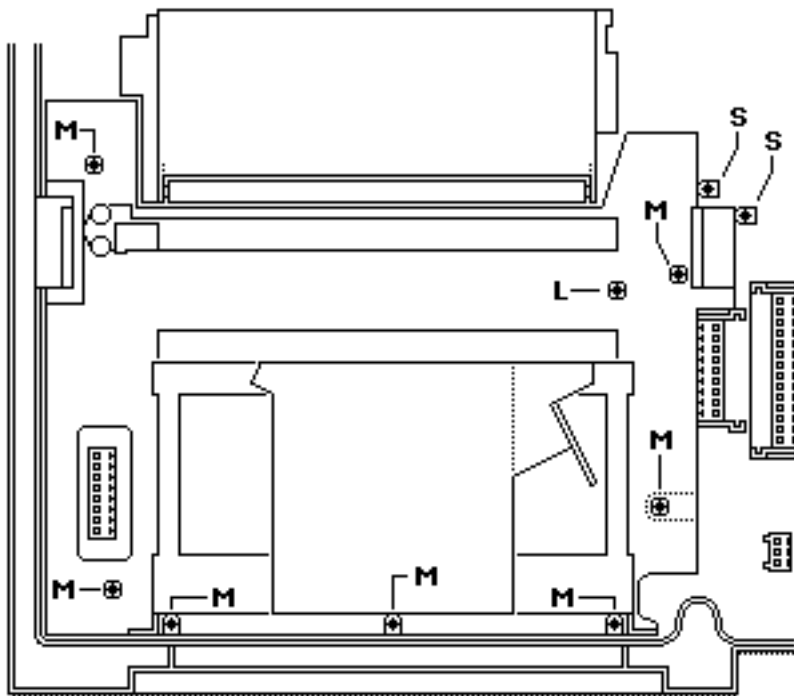
- Cover set
- Fuser assembly
- Power supply block
- DC power supply
- High-voltage power supply
- Main motor assembly
- Transfer guide assembly

Note: This assembly engages with the cassette tray to elevate and press the paper against the pickup roller.



Pressure Assembly



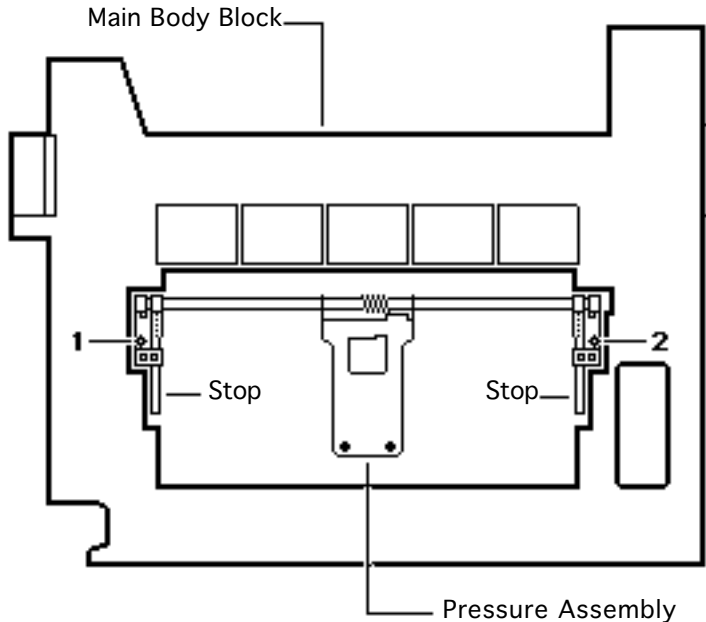


Caution: In this procedure be careful not to crimp or loosen any of the connectors at the laser/scanner assembly.

- 1 Remove the ten screws that secure the main body block to the chassis. Lift off the main body block.

Replacement Note: There are three screw lengths: short (S), medium (M), and long (L). Make sure to replace them correctly.





- 2 Turn the main body block upside down and remove the two screws that secure the cassette stops to the main body block.
- 3 Lift out the pressure assembly and slide the cassette stops off the end of the shaft.



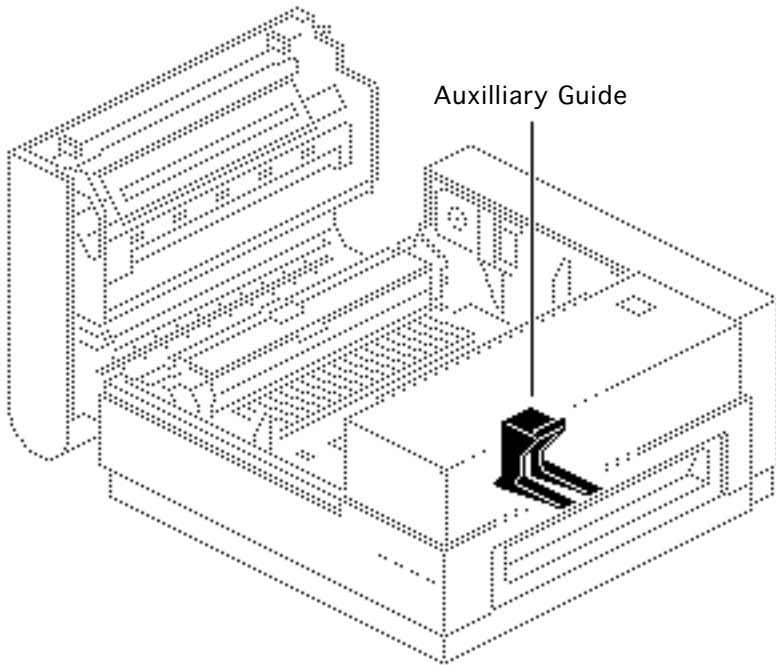


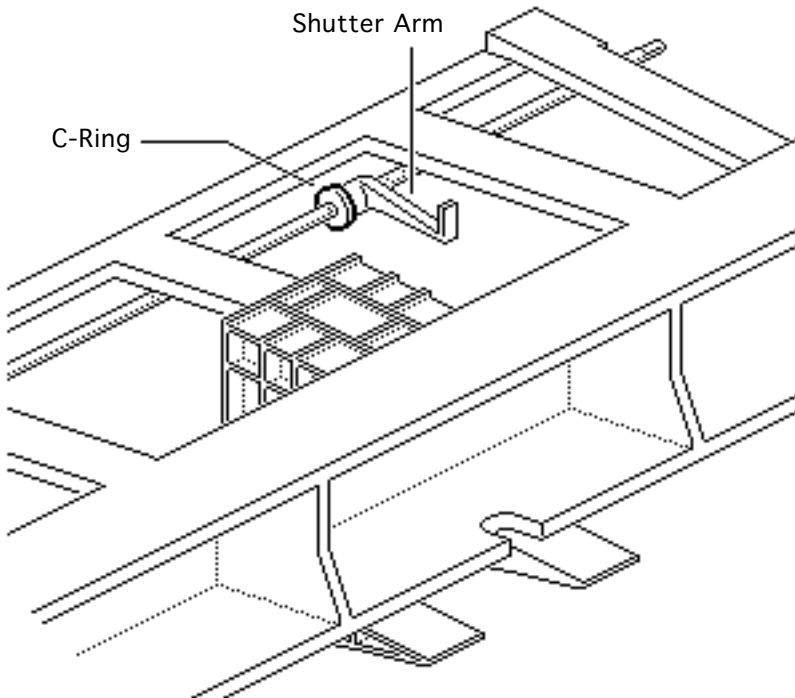
Auxiliary Guide

Before you begin, remove the following:

- Cover set
- Laser/scanner assembly
- DC power supply
- High-voltage power supply
- Paper feed assembly
- Paper-sensing arm
- Right hook/lifter assembly
- Left hook

Note: The auxiliary guide is the forklift-shaped part that you can see when you





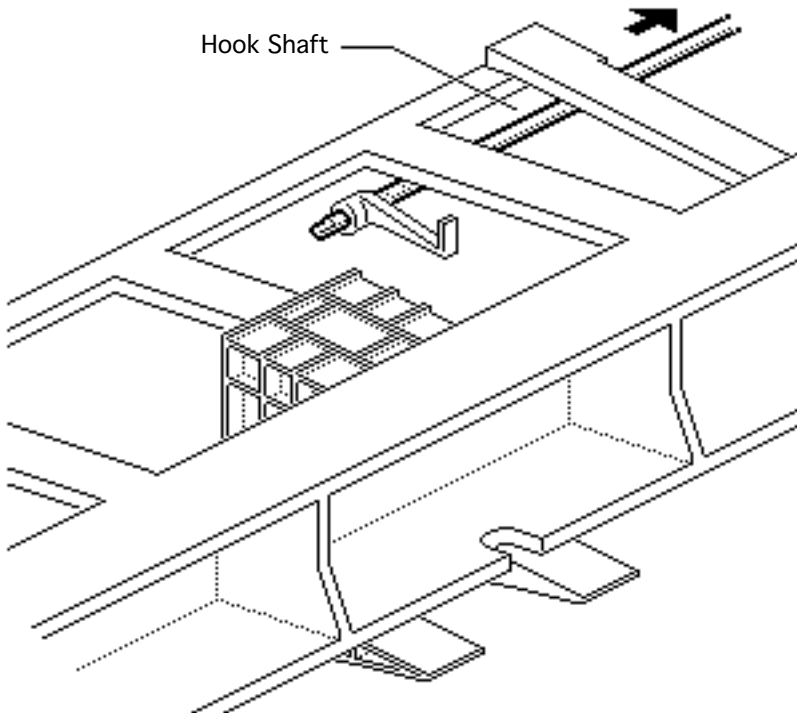
remove the paper cassette. The auxiliary guide forces the cassette into proper alignment with paper feed components.

- 1 Remove the C-ring on the auxiliary guide side of the shutter arm.





Hook Shaft

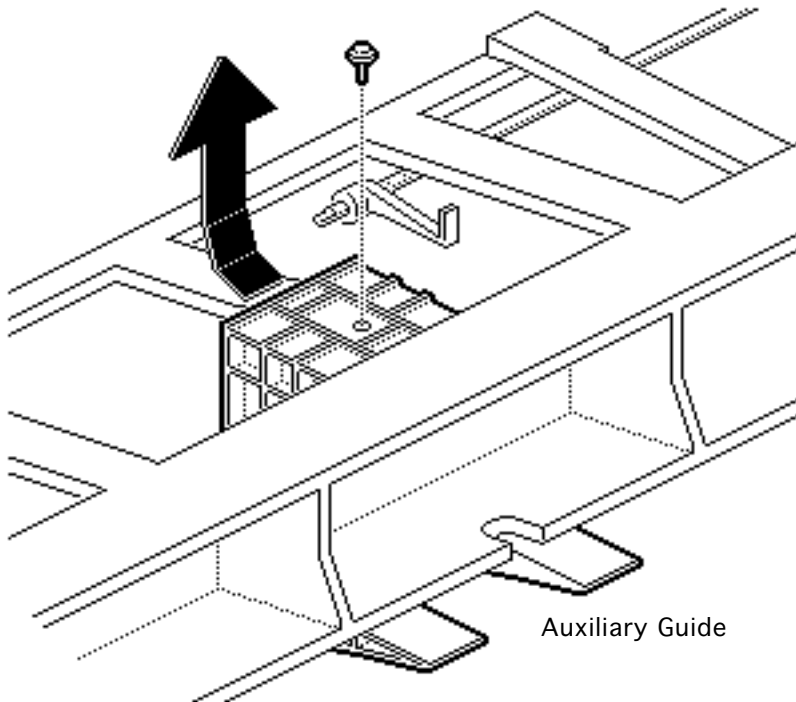


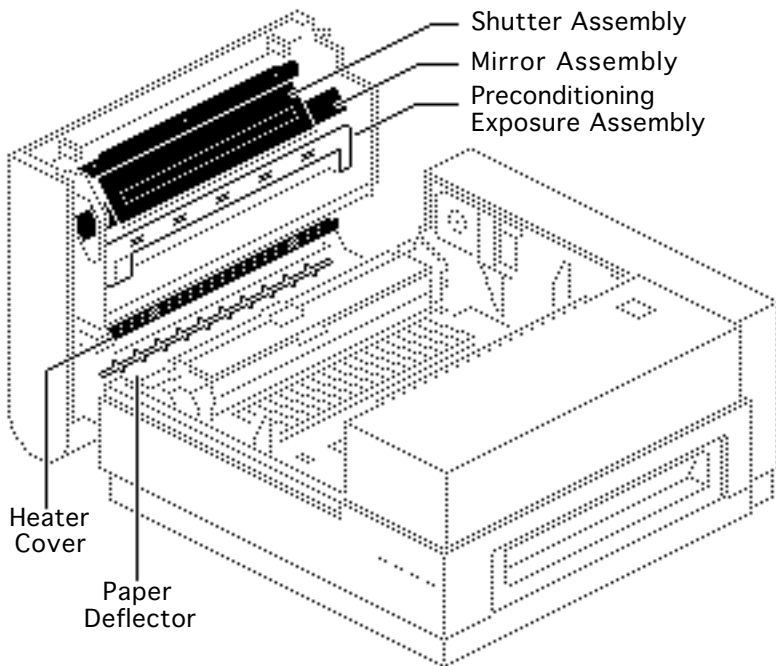
- 2 Slide the hook shaft toward the rear of the printer far enough to clear the auxiliary guide area.





- 3 Remove the screw that secures the auxiliary guide to the body block. Lift out the auxiliary guide.





Upper Clamshell (1 of 2)

No preliminary steps are required before you begin this procedure.

Note: This procedure covers the take apart of the paper deflector, heater cover, preconditioning exposure assembly, shutter assembly (including the shutter arm), and mirror assembly. The procedures in this topic may be performed in any order. Unless noted otherwise, none requires

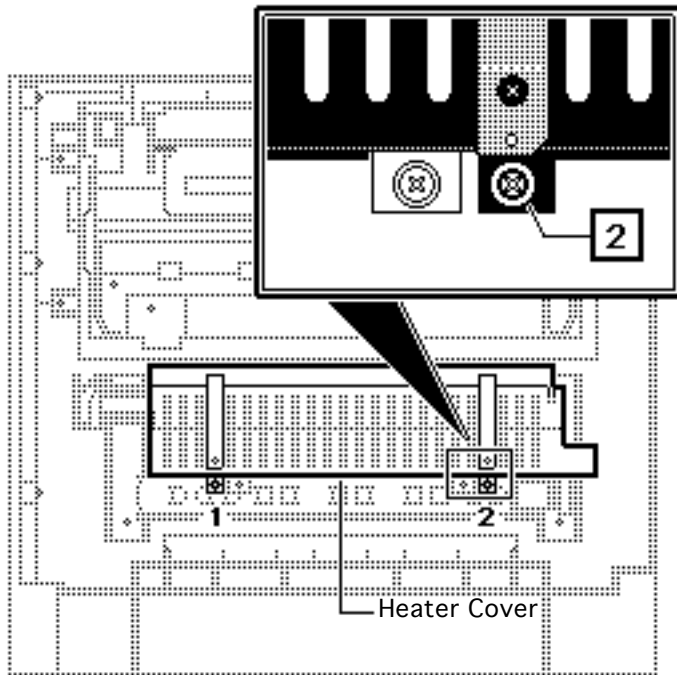




that another be performed first.

- 1 Depress the release button and open the top cover.



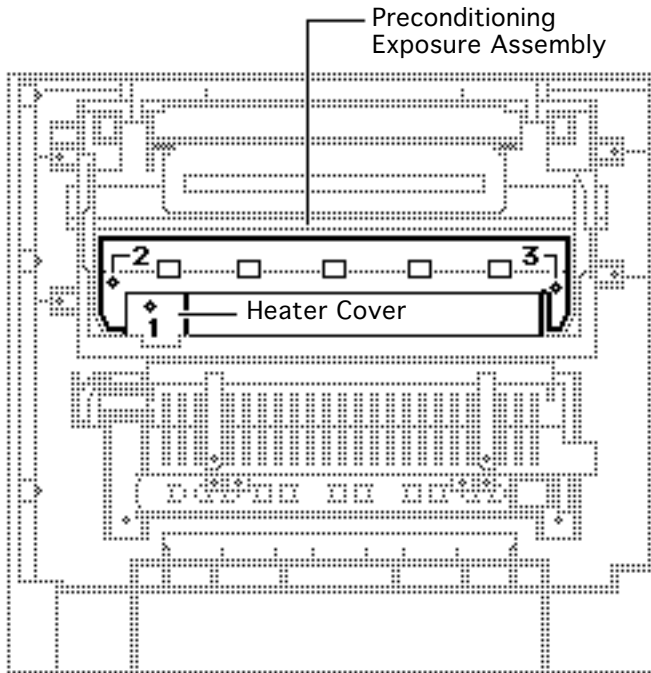


Heater Cover

Note: If you want easier access to the heater cover, you may remove the upper clamshell (see “Clamshell Detachment”).

- 1 Using a stubby Phillips screwdriver, remove the two screws that secure the heater cover to the upper clamshell.
- 2 Pull out the heater cover.

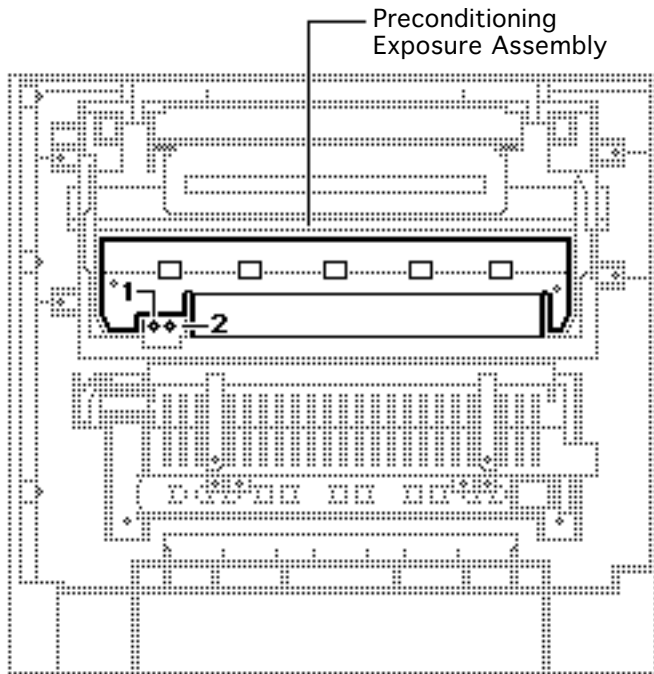




Preconditioning Exposure Assembly

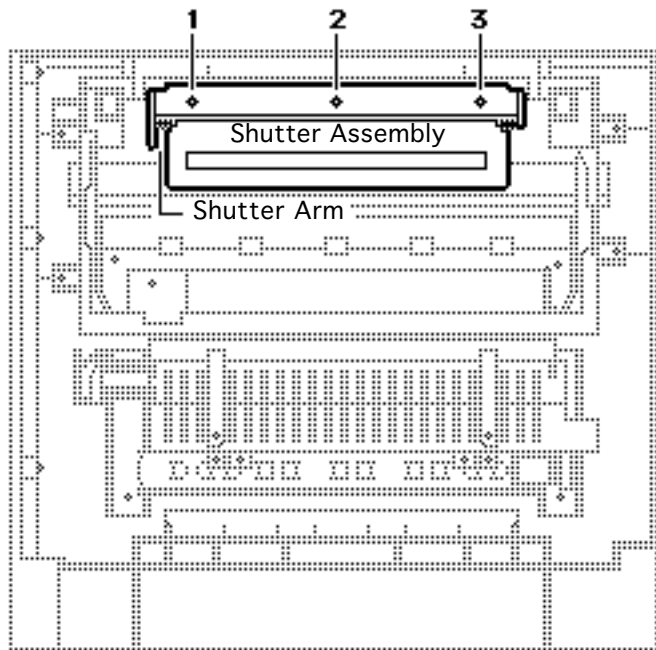
- 1 Remove the screw (1) that secures the contact cover to the preconditioning exposure assembly. Lift off the cover.
- 2 Remove the two screws (2 and 3) that secure the preconditioning exposure assembly to the cartridge guide.





- 3 Remove the two screws that secure the preconditioning exposure assembly to the contact arm.
- 4 Lift out the preconditioning exposure assembly.

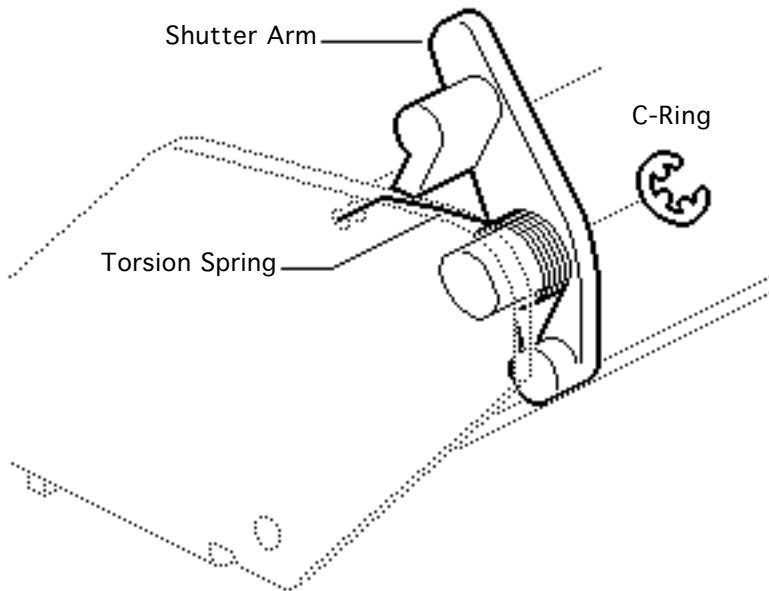




Shutter Assembly

- 1 Remove the three screws that secure the shutter assembly to the upper clamshell. Lift out the shutter assembly.





- 2 To remove the shutter arm, remove the C-ring that secures the arm to the mounting flange.
- 3 Remove the shutter arm and torsion spring.

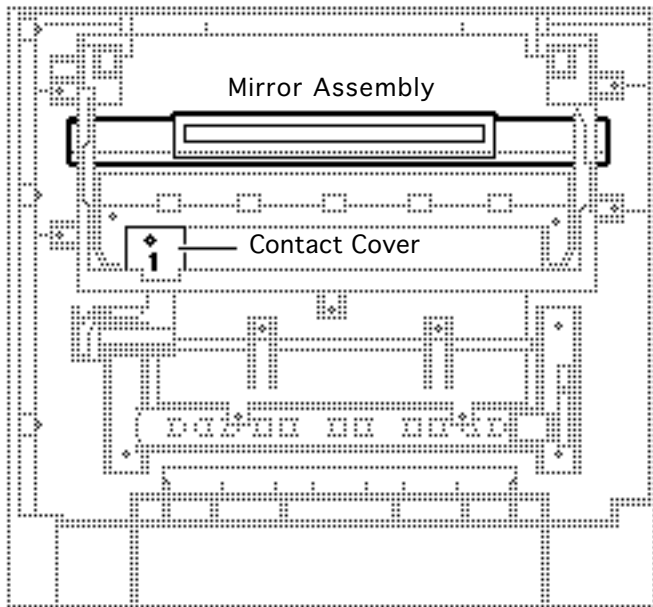


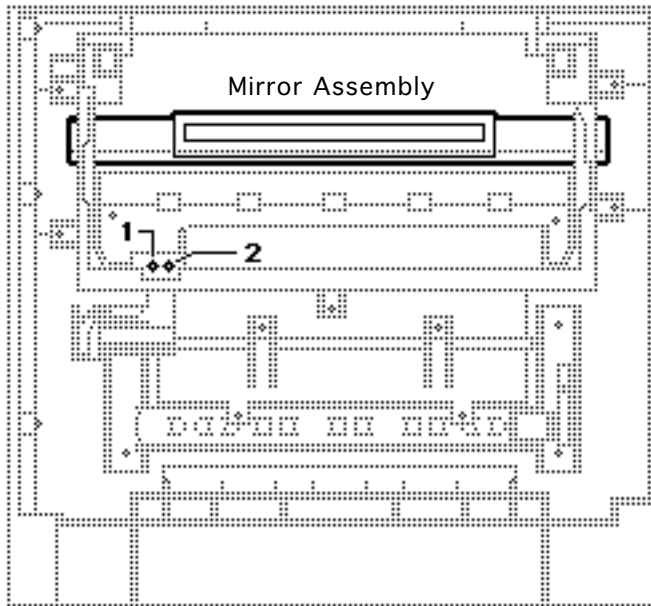


Mirror Assembly

Note: Removal of the mirror assembly requires the first removal of the heater cover and shutter assembly.

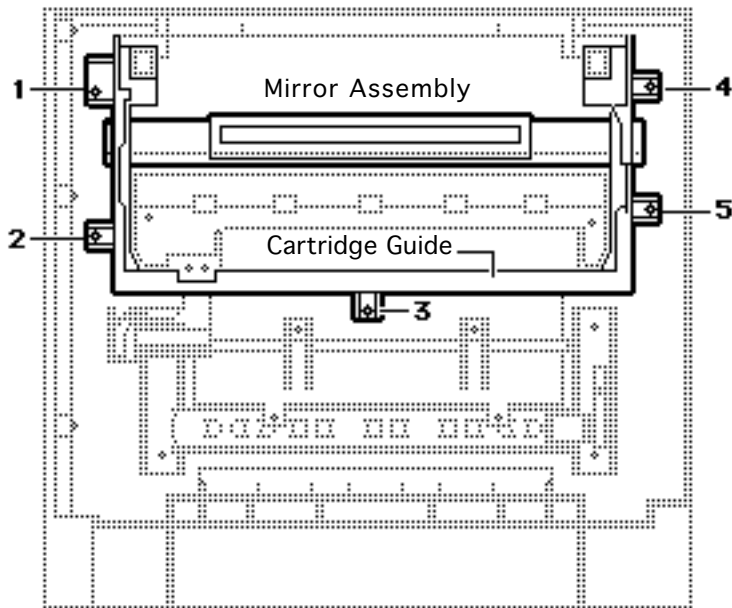
- 1 Remove the screw that secures the contact cover to the preconditioning exposure assembly. Lift off the cover.





- 2 Remove the two screws that secure the preconditioning exposure assembly to the contact arm.





- 3 Remove the five screws that secure the cartridge guide to the upper clamshell. Remove the cartridge guide.
- 4 Lift out the mirror assembly.



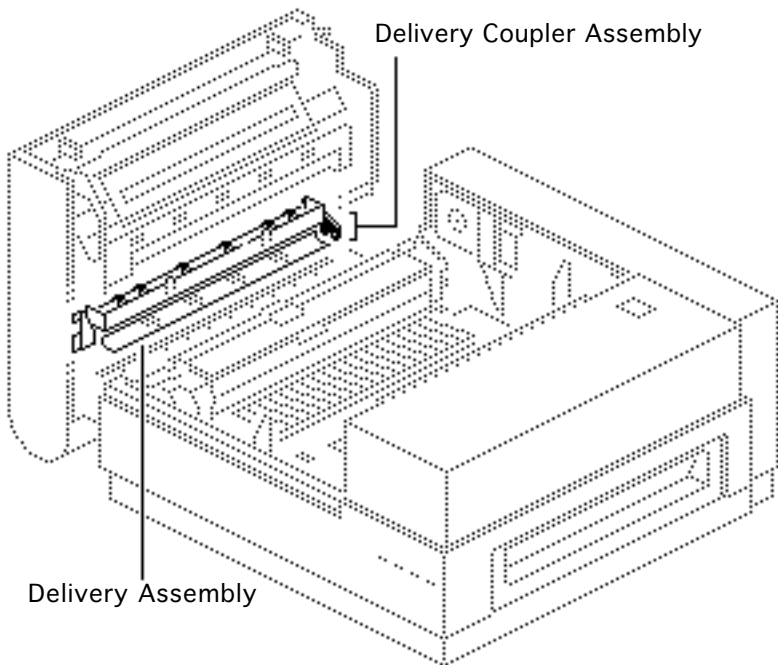


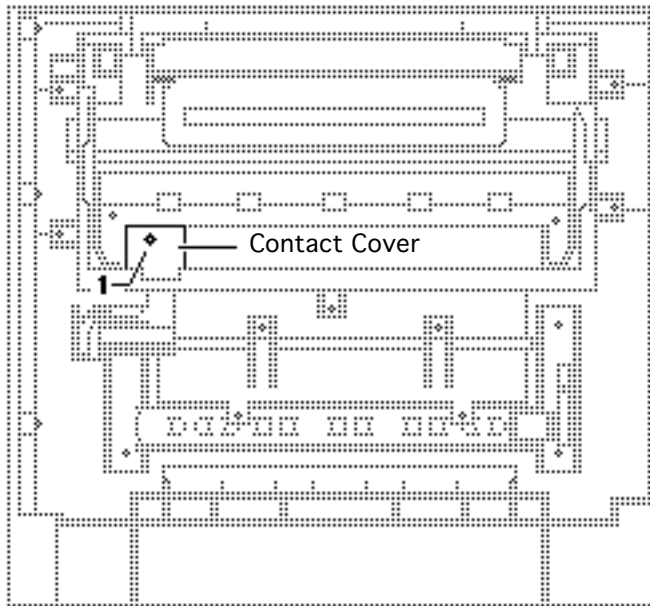
Upper Clamshell (2 of 2)

Before you begin,

- Detach upper clamshell
- Remove heater cover.

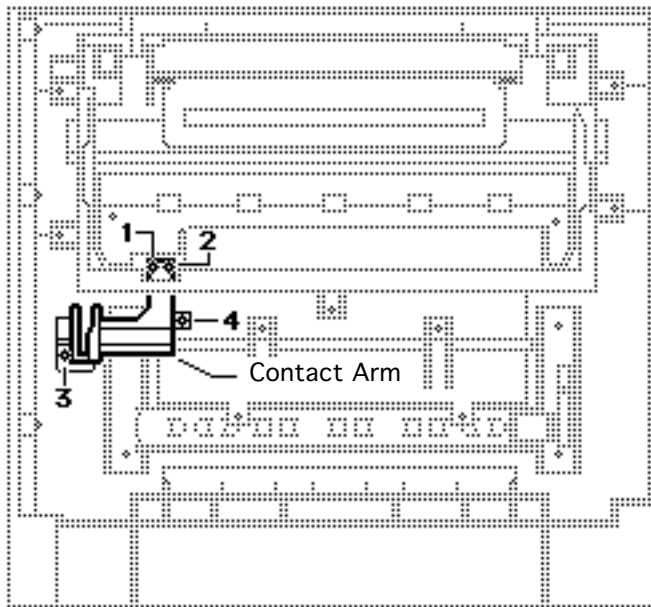
Note: This procedure covers the take apart of the delivery assembly (including the delivery coupler assembly) and the static charge eliminator. The static charge eliminator is beneath the delivery assembly.





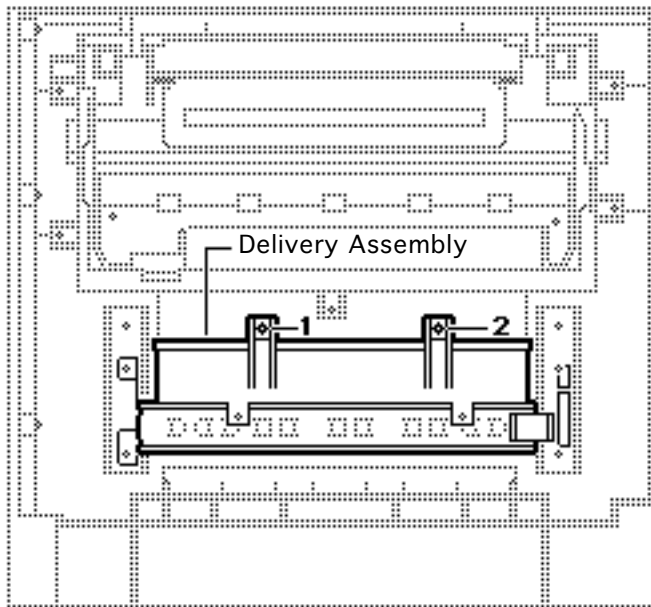
- 1 Remove the screw that secures the contact cover to the preconditioning exposure assembly and lift off the cover.





- 2 Remove the two screws (1 and 2) that secure the preconditioning exposure assembly to the contact arm.
- 3 Remove the two screws (3 and 4) that secure the preconditioning exposure contact arm to the upper clamshell.
- 4 Lift out the contact arm.

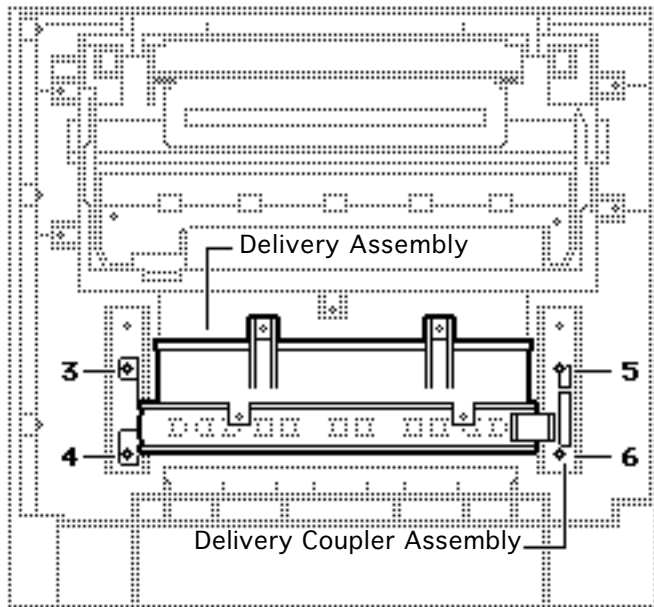




Note: There are six screws that you must remove to get the delivery assembly out.

- 5 Remove the two screws (1 and 2) that secure the delivery assembly to the cartridge guide.



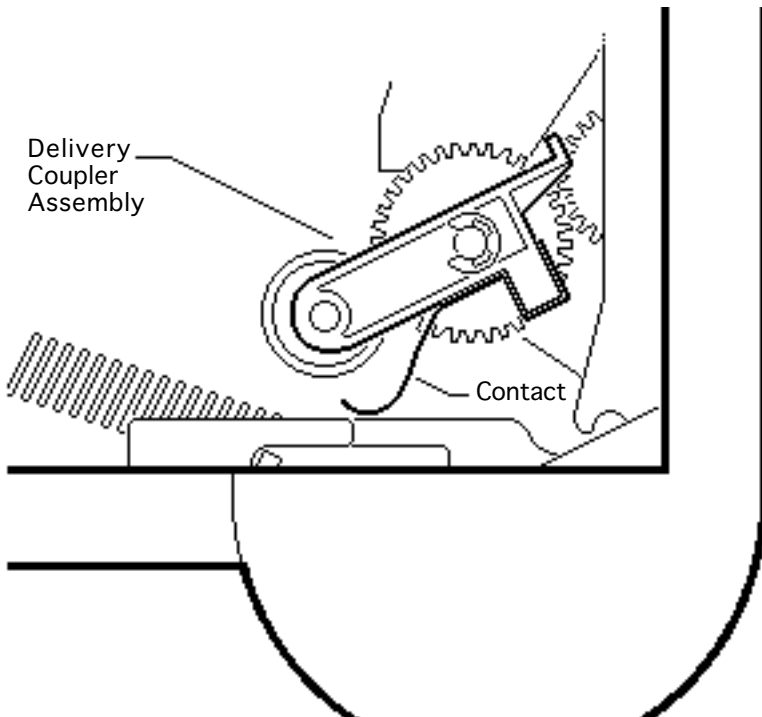


- 6 **Note:** You must pull away the delivery coupler assembly to access screw 5, and you must use a long shafted screwdriver to access screw 6.

Remove the four screws (3, 4, 5, and 6) that secure the delivery assembly to the clamshell.

- 7 Lift out the delivery assembly and cover.

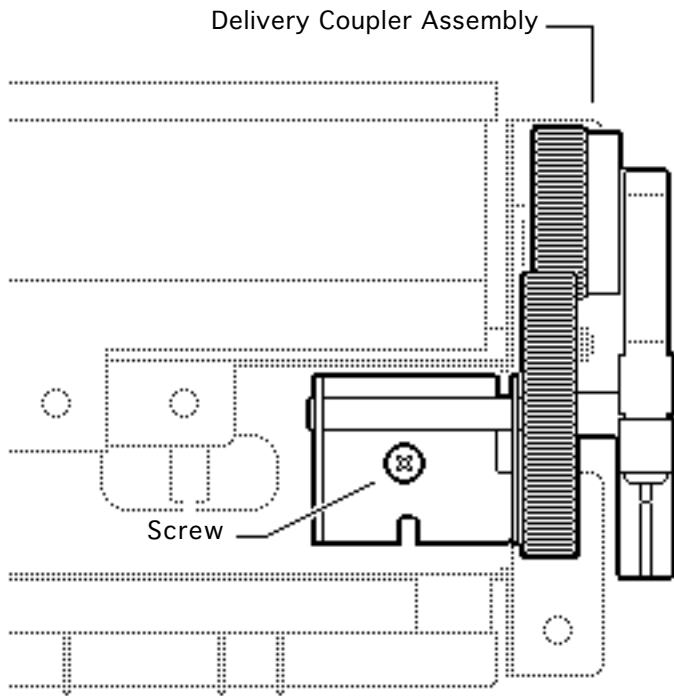




Replacement Note:

When you re-install the delivery assembly, make sure that the delivery coupler assembly swings freely with the contact facing outward.



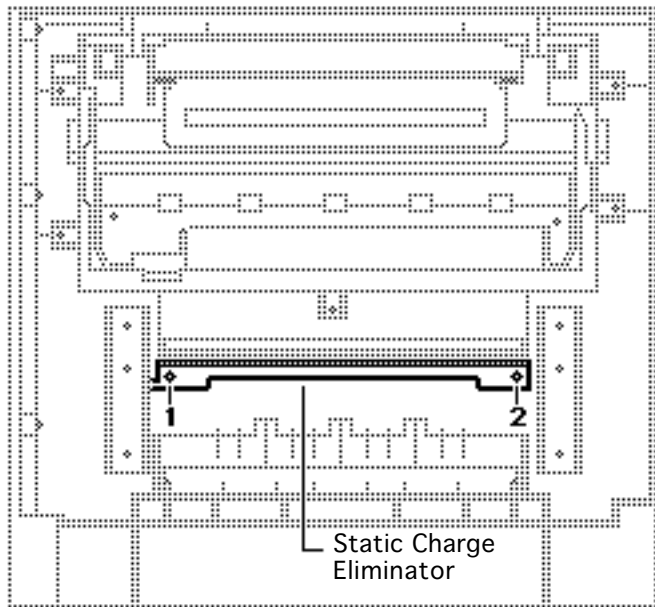


Delivery Coupler Assembly

Note: This assembly transfers mechanical drive from the 20 tooth gear on the fuser assembly to the delivery rollers.

- 1 Remove the screw that secures the delivery coupler assembly to the delivery assembly.
- 2 Lift off the delivery coupler assembly.





Note: Perform the following step only if you need to remove the static charge eliminator.

- 3 If you need to remove the static charge eliminator, remove the two screws that secure the static charge eliminator to the upper clamshell. Lift out the static charge eliminator.





Upgrades

LaserWriter II





NTX ROM Upgrade

Caution: To prevent ESD damage to components, wear a grounding wriststrap. Review the ESD precautions in Bulletins/Safety.

The LaserWriter II NTX ROM upgrade provides the following enhancements:

- Software switching between PostScript and other emulation modes (D630 and HPLJ) on LocalTalk ports
 - Support of multiple hard drives and hard drives larger than 40 MB
 - Additional characters with HPLJ emulation mode
- 1 Switch off and unplug the printer.
 - 2 Remove the I/O board and place it on a grounded workbench pad.
 - 3 Using an IC extractor, carefully remove the eight ROMs.





- 4 Install the new ROMs, making sure that the notch on each chip faces the I/O bracket.

Note: Install each ROM in its proper socket. They are not interchangeable. Look at the characters printed on each ROM chip to identify a ROM; you can find the marking at the end of the first line of print. This marking matches the ROM socket location on the I/O board.

- 5 Plug in and switch on the printer. Wait about 3 minutes.

Note: If the printer does not produce a startup test page, run the NT/NTX ROM and SIMM Test to identify any failing ROM chip. Replace any ROM that the test identifies as bad.

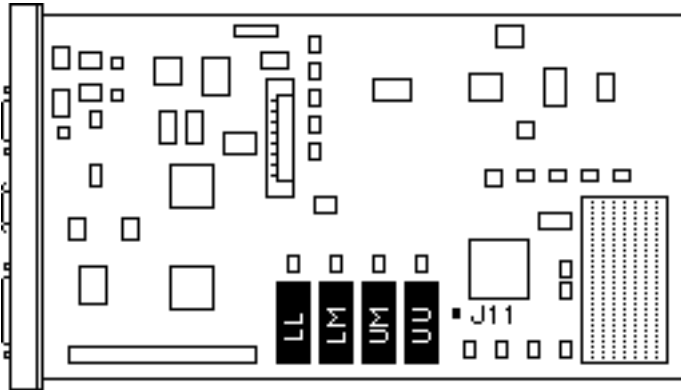
- 6 Read the copyright information along the right edge of the test page.





IIf/g ROM Upgrade Kit

Revision 2.0 ROMs fix certain Ethernet-related problems, spooler and hard drive incompatibilities, problems with font outline extraction programs, and other anomalies. Refer to October 1992 Service Notice for complete information. For installation instructions, refer to the Upgrade Kit.





Additional Procedures

LaserWriter II

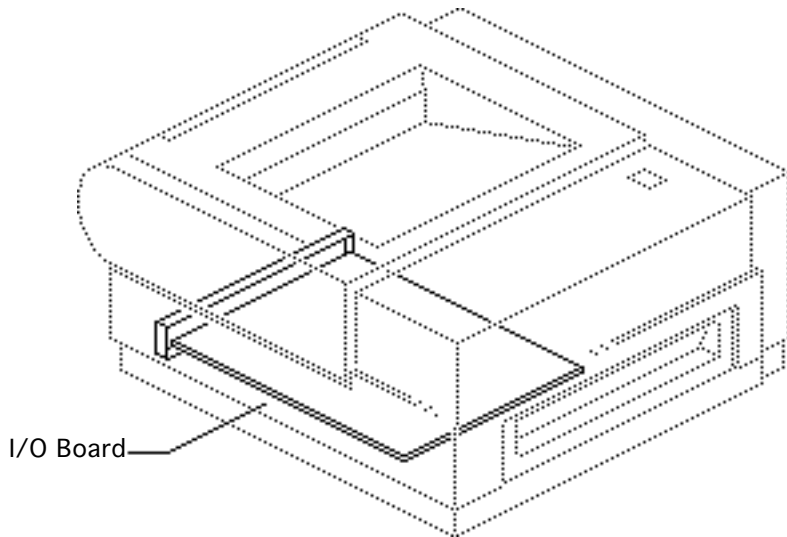




I/O Board Installation

The LaserWriter II is shipped from Apple without the I/O board installed. Prior to delivering the printer to the customer, you must perform the following steps:

- Print engine checkout
- Board configuration
- Board installation
- Installation verification
- Printer repackaging





Print Engine Checkout

- 1 Unpack the printer and install the toner cartridge.
- 2 Fill the paper cassette and install it in the printer.
- 3 Switch on the printer.
- 4 Run a service test page (refer to “Service Test Page” in Basics).

Note: If the printer produces a service test page, proceed to next page. If not, refer to “Print Engine Check” in Flowcharts.





I/O Board Configuration

Note: The I/O board should not have to be configured. Switches are pre-set at the factory and generally should not have to be changed.

The NT and NTX boards come from the factory configured to communicate via Apple Talk. If you want to communicate via the serial port, refer to the Owner's Guide for the proper DIP switch settings. The SC board ships from Apple with the SCSI priority set to 4.

The IIf and IIg boards have a port arbitration feature that supports concurrent communication via all ports.





I/O Board Installation

Caution: To prevent ESD damage to the I/O board, wear a grounding wriststrap. Review the ESD precautions in Bulletins/Safety.

Warning: Never change I/O boards when the printer is switched on or you can cause permanent damage to both the printer and the I/O board.

- 1 Holding the board only by its edges and metal bracket, slide the board into its opening as far as the board will go.
- 2 Tighten the two retaining screws on the I/O board bracket.





Installation Verification (NT, NTX, IIx, and IIg)

Note: The following materials are required to verify installation:

- Macintosh 512K or later
- LocalTalk connector box for the Macintosh
- LocalTalk connector box with a Mini DIN-8 connector (for the printer)
- A LocalTalk cable
- “Printer Installation” diskette.

- 1 Switch on the printer and wait about 3 minutes.

Note: If the printer delivers a startup test page, proceed to the next page. If not, refer to “Print Engine Check” in Flowcharts.

- 2 Switch off the printer.
- 3 Connect a LocalTalk connector box to the 8-pin Mini-





DIN connector on the I/O board.

- 4 Connect a LocalTalk connector box to the printer port at the rear of the Macintosh.
- 5 Connect a LocalTalk cable between the printer and Macintosh LocalTalk connector boxes.
- 6 Turn on the printer and wait for the test page.
- 7 Insert the “Printer Installation” disk in the internal hard drive and switch on the Macintosh.
- 8 Select the LaserWriter printer through the Chooser under the Apple menu.
- 9 Select Print Catalog from the File menu.

Note: If the printer produces a catalog, installation is complete. If not, refer to “Print Engine Check” in Flowcharts.





Installation Verification (SC I/O Board)

Note: The following materials are required to verify installation:

- Macintosh Plus or later
- SCSI system cable
- SCSI terminator
- “SC Printer Installation” diskette

- 1 Set the SCSI address to 7.
- 2 Turn on the printer and wait about 3 minutes.

Note: If the printer prints a startup test page, proceed to the next page. If not, refer to “Print Engine Check” in Flowcharts.

Note: Because the Macintosh is always assigned SCSI number 7, you should always reset the LaserWriter IISC address before resuming printing.





- 3 Insert the “SC Installation” disk in the internal hard drive and switch on the Macintosh.
- 4 Open the Chooser under the Apple menu, select SC as the device type, and close the Chooser.
- 5 Select Print Catalog from the File menu.

Note: If the printer produces a catalog, installation is complete. If not, refer to “Print Engine Check” in Flowcharts.

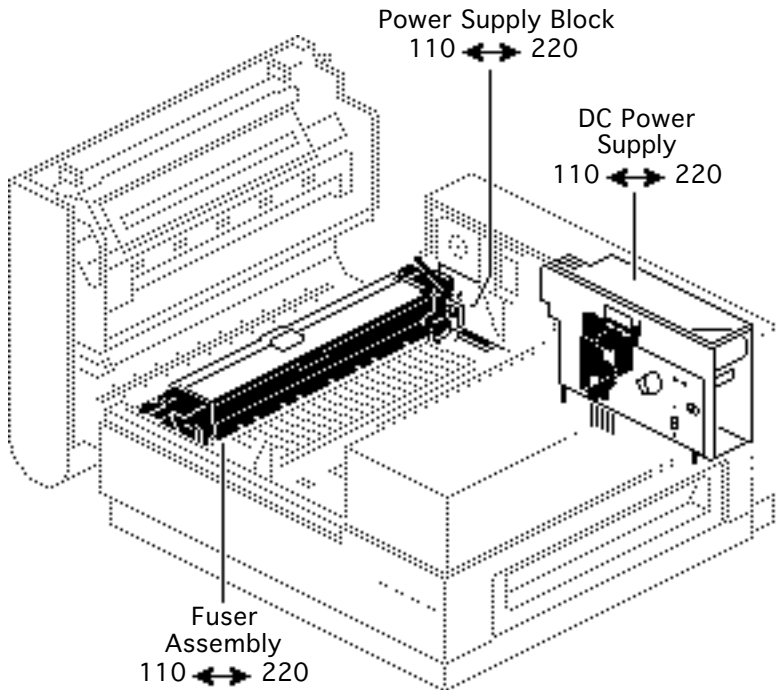




Printer Repackaging

- 1 Remove the toner cartridge from the printer.
- 2 Repack the AC power cord, disks, and manuals into the accessory kit.
- 3 Place the printer back into its antistatic bag, and repack the printer in the box with all the original shipping materials, including the antistatic bag for the I/O board.





Voltage Conversions

Before you begin, remove the following:

- Cover set
- Fuser assembly
- Power supply block
- DC power supply

Note: LaserWriter II printers manufactured for the USA and Japan operate at line voltages of 110-115 volts. Printers manufactured for Europe or Australia operate at line voltages of 220-240 volts.





Perform the following procedure to convert from one voltage to another:

- 1 Replace each of the components shown with a corresponding one of the new voltage.



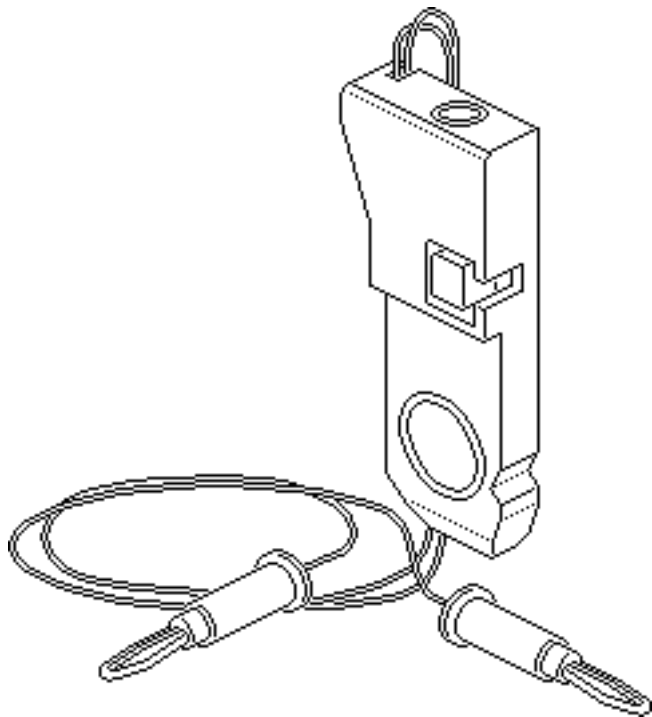


Laser Power Output Check

Before you begin, remove the following:

- I/O board
- Cover set

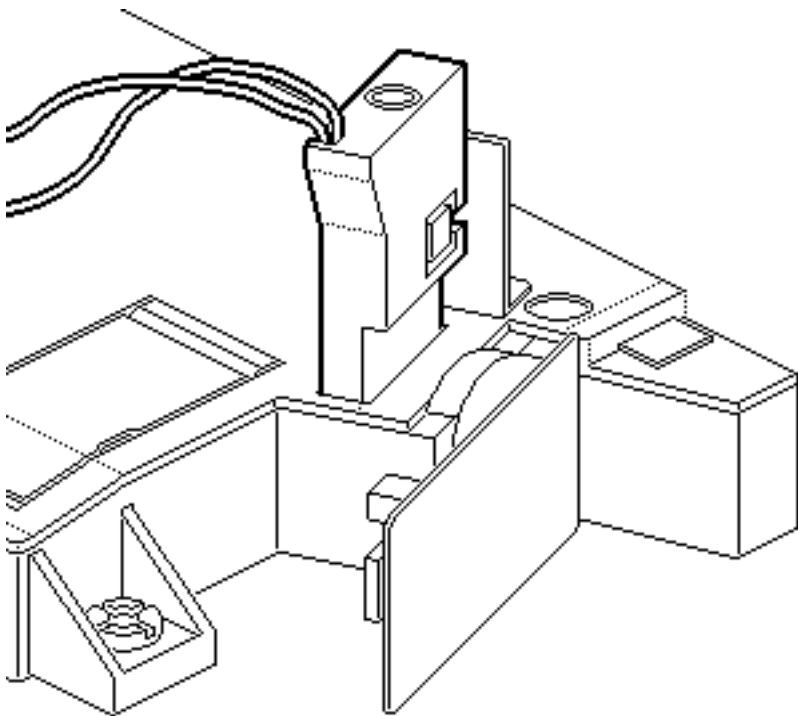
Note: The Laser Power Checker (076-0121) has been discontinued. If you have the tool, follow the procedure to measure the power output of the laser diode. No adjustments can be made to laser power circuitry in LaserWriter II.





Warning: Do not open the laser access hatch or disconnect the optical fiber cable when the printer is switched on. The reflected laser beam, though invisible, can permanently damage your eyes.

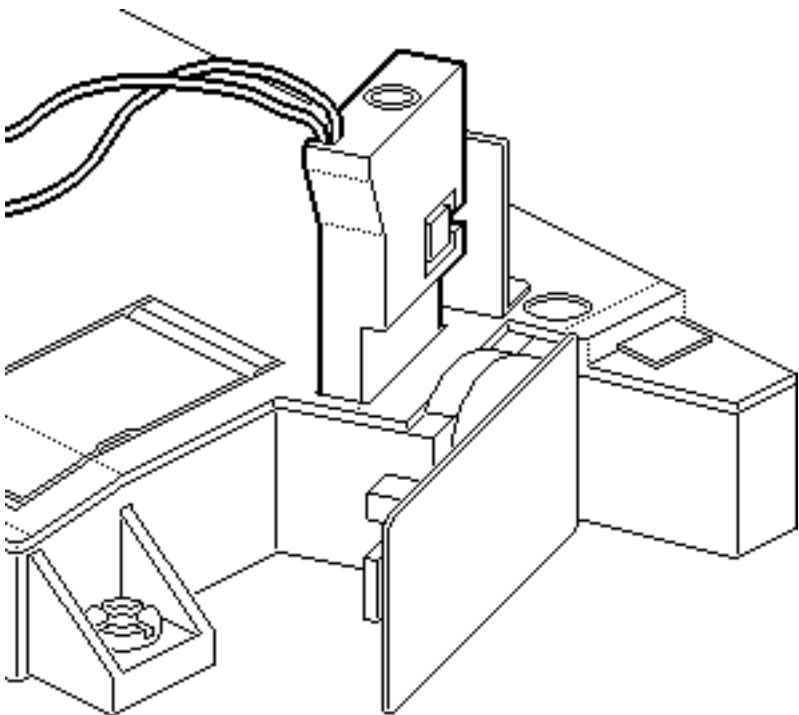




- 1 Open the laser access hatch on the laser/ scanner assembly.
- 2 **Warning:** In the following step, make sure the laser power checker is fully inserted so that none of the laser light can escape from the access hatch.

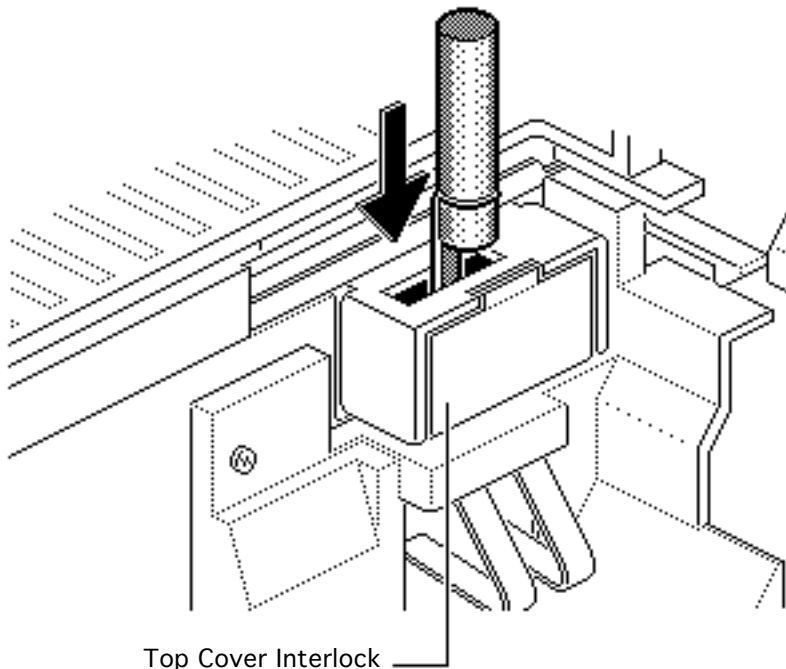
Insert the laser power checker into the laser access hatch with the detector facing the laser diode.





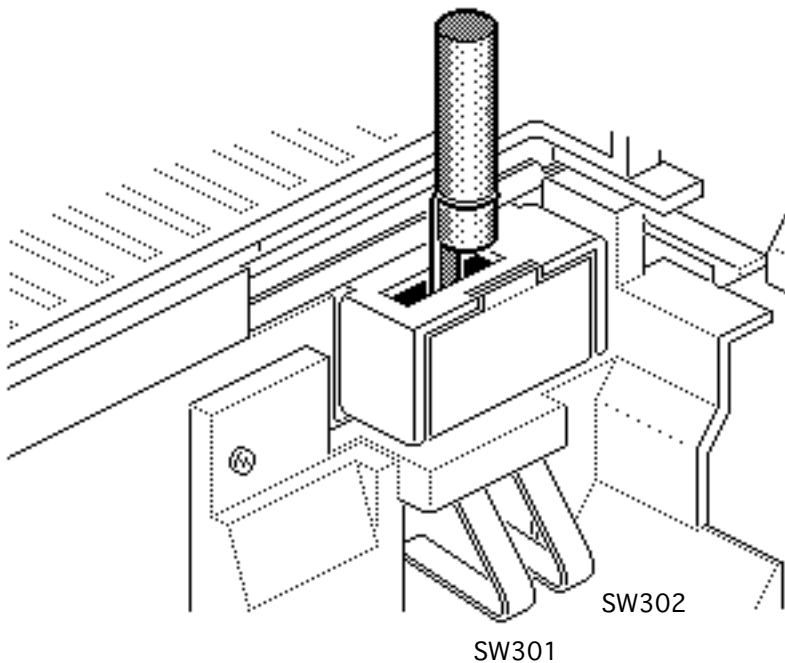
- 3 Connect the laser power checker to the multimeter as follows:
- Connect the black lead from the laser power checker to the multimeter socket labeled “Common.”
 - Connect the red lead from the checker to the multimeter socket marked “Volts” or “V.”
 - Set the multimeter to volts, set the range to 200 mV, and switch on the multimeter.





- 4 Defeat the top-cover interlock by lodging a stiff, non-metallic insert into the interlock switch. A plastic ball-point pen cap or folded index card works well. Defeating this switch simulates a clamshell-shut condition.





- 5 Switch on the printer.
Wait one minute for the printer to warm up.
- 6 Depress drum sensitivity switches SW301 and SW302 and press the service test page button.

Note: The reading on the multimeter should be 17.6 ± 1.6 mV. If this is not the case, go to “Laser/Scanner” in Flowcharts.





Exploded View

LaserWriter II





Exploded View

