

AROMA®

2-in-1 Toaster and Toaster Oven



Instruction Manual

Model: ABT-318

Congratulations on your purchase of the Aroma 2-in-1 Toaster and Toaster Oven. Now enjoy the convenience of two appliances in one!

Ideal for breakfast on the go, the 2-in-1 toasts bread or bagels and heats up muffins in the oven simultaneously. Thick breads and bagels are no obstacle with the extra wide toasting wells, and the toaster "Stop" button allows you to cancel toasting at any point during the cycle! The oven is equipped with a 15-minute timer and a "Stay On" feature, which allows you to cook a wide range of other foods with ease.

The Aroma 2-in-1 blends seamlessly into any kitchen with its brushed stainless steel finish and stylish retro design.

Please visit us online at www.AromaCo.com to learn more about the small appliance solutions that we offer.



Published By:

Aroma Housewares Co.
6469 Flanders Drive
San Diego, CA 92121
U.S.A.
1-800-276-6286
www.aromaco.com

© 2006 Aroma Housewares Company All rights reserved.

IMPORTANT SAFEGUARDS

When using electrical appliances, basic safety precautions should always be followed, including the following:

1. Read all instructions.
2. Do not touch hot surfaces. Use handles or knobs.
3. To protect against electric shock do not immerse cord, or plug in water or any other liquid.
4. Close supervision is necessary when any appliance is used by or near children.
5. Unplug from outlet when not in use and before cleaning. Allow to cool before putting on or taking off parts.
6. Do not operate any appliance with a damaged cord or plug or after the appliance malfunctions or has been damaged in any manner. Return appliance to the nearest authorized service facility for examination, repair, or adjustment.
7. The use of accessory attachments not recommended by the appliance manufacturer may cause injuries.
8. Do not use outdoors.
9. Do not let cord hang over edge of table or counter or touch hot surfaces.
10. Do not place on or near a hot gas or electric burner or in a heated oven.
11. Extreme caution must be used when moving an appliance containing hot oil or other hot liquids.
12. Always attach plug to appliance first, then plug cord into the wall outlet. To disconnect, turn any control to "off", then remove plug from wall outlet.
13. Do not use appliance for anything other than intended use.
14. Oversize foods or metal utensils must not be inserted in the toaster-oven as they may create a fire or risk of electric shock.
15. A fire may occur if the toaster-oven is covered or touching flammable material, including curtains, draperies, walls, and the like, when in operation. Do not store any item on top of the appliance when in operation.
16. Do not clean with metal scouring pads. Pieces can **break off** the pad and touch electrical parts involving a risk of electric shock.
17. Extreme caution should be exercised when using containers constructed of anything other than metal or glass.

IMPORTANT SAFEGUARDS

18. Do not store any materials, other than manufacturer's recommended accessories, in this oven when not in use.
19. Do not place any of the following materials in the oven: paper, cardboard or plastic.
20. Do not cover crumb tray or any part of the oven with metal foil. This will cause overheating of the oven.
21. Use extreme caution when removing tray or disposing of hot grease.
22. Do not attempt to dislodge food when the toaster oven is plugged into an electrical outlet.
23. To avoid possibility of fire, NEVER leave toaster oven unattended during use.
24. Do not rest cooking utensils or baking dishes on glass door.
25. Turn the Timer dial to the OFF position to turn off toaster oven.
26. Do not touch the hot plate while the appliance is in operation or immediately after being switched off as the hot plate will be hot.
27. To reduce the risk of fire or electric shock, do not attempt to disassemble the appliance. There are no user serviceable parts inside. Repair should only be done by an authorized service personnel.
28. To reduce the risk of fire or electric shock, do not remove the crumb tray while the appliance is in operation.
29. Do not operate under wall cabinets.

SAVE THESE INSTRUCTIONS

SHORT CORD INSTRUCTIONS

1. A short power-supply cord is provided to reduce risk resulting from becoming entangled in or tripping over a longer cord.
2. Longer extension cords are available and may be used if care is exercised in their use.
3. If a longer extension cord is used:
 - a. The marked electrical rating of the extension cord should be at least as great as the electrical rating of the appliance.
 - b. The longer cord should be arranged so that it will not drape over the counter top or tabletop where it can be pulled by children or tripped over unintentionally.

DO NOT DRAPE CORD !



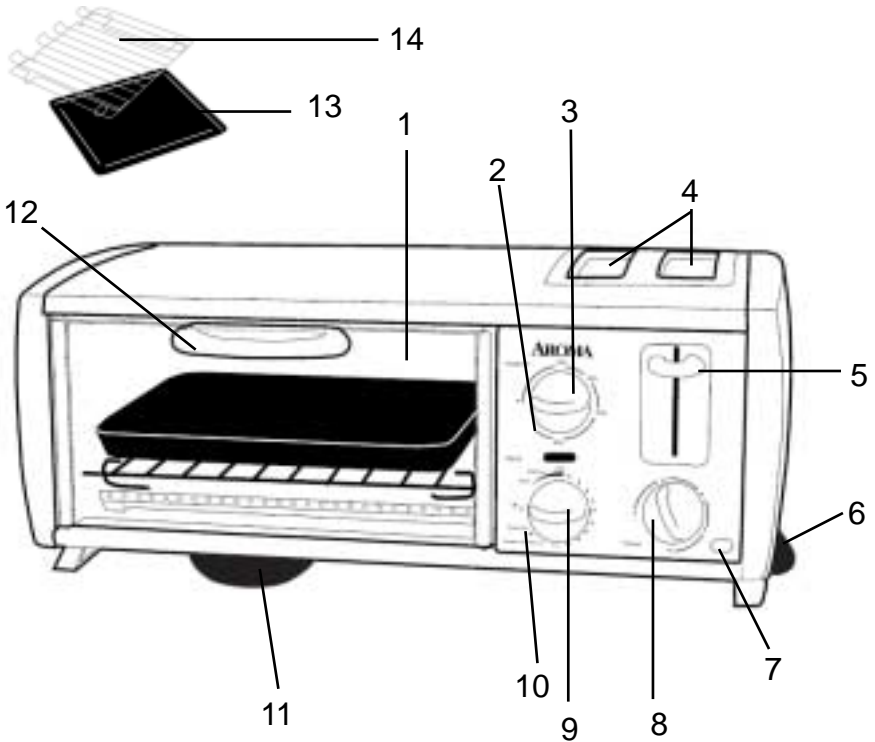
POLARIZED PLUG

This appliance has a **polarized plug** (one blade is wider than the other); follow the instructions below:

To reduce the risk of electric shock, this plug is intended to fit into a polarized outlet only one way. If the plug does not fit fully into the outlet, reverse the plug. If it still does not fit, contact a qualified electrician. Do not attempt to modify the plug in any way.

This appliance is for household use only.

PARTS IDENTIFICATION



1. Glass Door
2. Broil Setting
3. Temperature Knob
4. Toasting Wells
5. Toaster Lever
6. Toaster Crumb Tray
7. Toaster Stop Button
8. Browning Control Knob
9. Timer Knob
10. Oven ON Setting
11. Toaster Oven Crumb Tray
12. Handle
13. Broiling Pan
14. Chrome Rack

INSTRUCTIONS

BEFORE USING FOR THE FIRST TIME

1. Remove all packaging material from the oven/toaster.
2. Wipe inner walls of the toaster oven with a damp cloth. Do not use any abrasive cleaners or scrubbers, as they may create a risk of electric shock or damage the finish.
3. Wipe the outer surface of the toaster oven with a damp cloth.
4. Wash the chrome rack, broiling pan, and crumb trays in warm, soapy water. Rinse and dry thoroughly before placing in the unit. Do not place wet accessories in this appliance.
5. Plug the unit into a proper wall outlet.

CHROME RACK AND BROILING PAN

1. Slide the chrome rack into the grooves on the inside walls of the toaster oven. On page 6 of this manual you will find an illustration of the correct installation of the chrome rack.
2. When using the broiling pan, slide it on top of the chrome rack. The broiling pan may also be used as a roasting pan. DO NOT slide the broiling pan underneath the chrome rack or let it come into direct contact with the heating elements.
3. When not using the broiling pan, remove it from the toaster oven for better performance, especially while toasting.

USING ALUMINUM FOIL

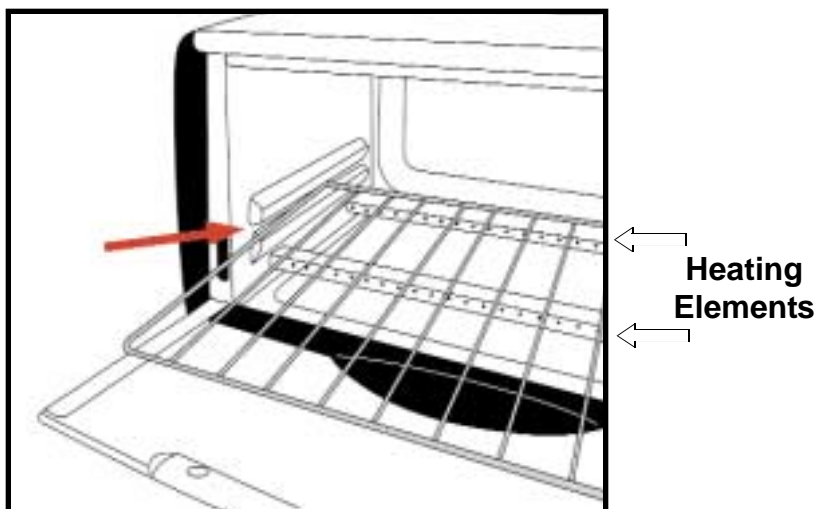
- Aluminum foil may be used to cover food or to line the broiling pan for easier cleanup.
- DO NOT allow foil to come into contact with the sides of the oven or the heating elements.
- DO NOT use aluminum foil to cover the chrome rack or the crumb trays.

HOW TO USE THE TOASTER OVEN

USING THE TOASTER OVEN

1. Place the chrome rack into the oven by sliding it into the grooves on the sides of the oven walls. Make sure that the chrome rack is secure before using the oven. See Diagram 1a below. If needed, insert the broiling pan on top of the chrome rack. DO NOT allow the chrome rack or broiling pan to come into direct contact with the heating elements.
2. Select temperature or broil function. For toasting, turn the temperature knob to the "450°/toast" function.

1a



TOASTING IN THE TOASTER OVEN

1. Before turning the unit on, place bread onto the chrome rack and close the glass door. For best results, place no more than two slices of bread in the toaster oven at a time.
2. Turn the temperature knob to the "450/toast" function.
3. On the timer knob, select the desired browning level. The toaster oven will then begin to heat up, and the timer will begin. Toasting times may vary for frozen or thicker breads. Monitor your toast through the full-view glass door until it has reached the desired level of browning.
4. When toast is done, the timer will automatically turn the oven off.

HOW TO USE THE TOASTER OVEN

COOKING IN THE TOASTER OVEN

1. Place food in the broiling pan or other toaster oven safe dish and slide onto the chrome rack inside of the oven. Close the glass door. Leave at least 2 inches between food and the sides and top of the oven.
2. Select the desired temperature on the temperature knob. To broil, select the "broil" function.
3. Turn the timer to the desired number of minutes or to the "Oven On" function, which will keep the oven at a continuous temperature until it is manually turned off. For best results, allow the oven to preheat for about 5 minutes.

CAUTION: Close supervision is necessary when using the "Oven On" feature. Be sure to turn the oven off when cooking is finished.

4. Timer will automatically turn the oven off when done. If using the "Oven On" feature, turn the timer knob to OFF when finished cooking.
5. The top and sides of the unit will be HOT. It is best to use an oven mitt when removing food from the unit. Use the handle when opening the glass door.
6. Unplug the unit when not in use.

WHEN COOKING:

- Leave at least 2 inches between food and the top heating elements when cooking.
- To prevent the risk of fire posed by grease dripping on the heating elements, always use the broiling pan or other toaster oven-safe dish to cook foods such as steak, pork chops, sausages, hamburgers, or other greasy foods.
- The broiling pan and all other cooking containers must be placed on TOP of the chrome rack. Never set broiling pan or containers directly on the lower heating elements.
- Always use a heat-proof, toaster oven-safe dish when cooking in the oven.
- Remove all paper or plastic packaging materials from TV dinners or other convenience foods before cooking in the toaster oven. Only packaging that states "Toaster Oven Safe" may be placed into the toaster for cooking.
- When removing a hot dish or food from the chrome rack, do not pull the rack more than halfway out. Pulling the rack out more than halfway may cause it to become unstable and cause accidents.
- Do not leave the oven unattended during cooking.

HOW TO USE THE TOASTER

USING THE TOASTER

1. Remove all wrappers or packaging from food before toasting. Do not place butter, fruit spread, or other liquids on bread before toasting, as they may create a fire hazard or cause the unit to malfunction.
2. Place bread in the toast wells. When toasting a single slice, bread can be placed in either of the two toast wells.
3. Select the desired setting on the browning control knob.
4. Press the lever down until it locks into place. This will begin the toasting cycle.
5. To stop or cancel toasting at any time during the cycle, press the "Stop" button below the browning control knob. Toast will pop up.
6. When toasting cycle is finished, toast will automatically pop up.
7. The toast and the top and sides of the unit will be HOT. Use an oven mitt and exercise caution when removing toast from the toaster.

CAUTION

- Always wear protective mitts when handling hot food.
- The outside of the unit, glass door, broiling pan and chrome rack will become HOT during use. Use protective mitts and exercise caution when touching or opening the unit, or when removing the chrome tray, broiling pan, or other dishes from the unit.
- Never operate the oven while the glass door is open.
- Turn the oven timer to OFF when not in use and unplug from the wall outlet.
- Stop using this appliance if smoke begins to come from the power cord or if the power cord is otherwise damaged. Unplug immediately and contact customer service for help.
- DO NOT immerse the unit in water or any other liquid.
- DO NOT use abrasive cleaners or scouring pads to clean the appliance. Pieces can break off the pad and touch electrical parts, creating a risk of electric shock.
- DO NOT place the oven accessories inside the unit if still wet.
- DO NOT wipe the heating elements during cleaning.
- DO NOT place oven or any accessories in the dishwasher to clean. This appliance is not dishwasher safe.
- BE SURE to clean the crumb trays after each use. Build up of crumbs and food debris may cause fire.

HOW TO CLEAN

CLEANING AND CARE

1. When done cooking, set the timer to the "OFF" position
2. Unplug the unit from wall outlet.
3. Always allow the unit to cool completely before cleaning.

CRUMB TRAYS

1. The crumb trays are located on the bottom of the unit, below the glass door and on the right side below the toaster. See Parts Identification on page 4.
2. Be sure the oven is on a sturdy, level countertop and carefully slide out crumb trays. Empty crumb trays and wipe clean with a damp, soapy dishcloth. Rinse and dry thoroughly before returning to the unit.
3. Build up of crumbs and food debris creates a fire hazard. Clean out the crumb trays after each use to prevent such accumulation.

TOASTER OVEN

1. Remove food residue from the inside of the oven by wiping with a clean, damp dishcloth. DO NOT use abrasive cleaners or scouring pads.
2. Remove broiling pan and chrome rack from the unit. Wash in warm soapy water. Rinse and dry thoroughly before returning to the unit.
3. Wipe down the glass door and handle with a clean, damp dishcloth. Dry with a paper towel to remove smudges or streaks.

EXTERIOR

1. Wipe down the exterior of the unit with a clean, damp cloth. Allow to air-dry or wipe down with a dry cloth to remove streaks.
2. NEVER immerse the unit in water or any other liquid.

LIMITED WARRANTY

Aroma Housewares Company warrants this product free from defects in material and workmanship for one year from the provable date of purchase in the continental United States.

Within this warranty period, Aroma Housewares Company will repair or replace, at its option, defective parts at no charge, provided that the product is returned, freight prepaid with proof of purchase and U.S. \$15.00 for shipping and handling charges payable to Aroma Housewares Company. Before returning an item, please call the toll free number below for a return authorization number. Allow 2-4 weeks for return shipping.

This warranty does not cover improper installation, misuse, abuse or neglect on the part of the owner. Warranty is also invalid in any case that the product is taken apart or serviced by an unauthorized service station.

This warranty gives you specific legal rights and which may vary from state to state and does not cover areas outside the United States.

AROMA HOUSEWARES COMPANY
6469 Flanders Drive
San Diego, California 92121
1-800-276-6286
M-F, 8:30 AM - 5:00 PM, Pacific Time
Website: www.aromaco.com