

Slim Line Range Hood



Installation and User manual

Content

Safety instructions-----	2
Product description-----	4
Operation mode-----	5
Installation-----	6
Start using the range hood-----	10
Maintenance and cleaning-----	11
Warranty-----	12

For warranty service call 1300 373 199(Australia)
or 0508 123108(New Zealand) to connect you to
the nearest authorised service centre

BR6/903SPX(1)
BR6/903SPX(1)-F
BR6/903SPW(1)
BR6/903SPW(1)-F

Safety Instructions

This manual explains the proper installation and use of your range hood, please read it carefully before using even if you are familiar with the product. The manual should be kept in a safe place for future reference.

Never to do:

- This appliance is not intended for use by persons (including children) with reduced physical, sensory and mental capabilities, or lack of experience and knowledge, unless they have been given supervision or instruction concerning use of the appliance by a person responsible for their safety.
- Never carry out flammable cooking under the appliance
- The exhaust from the range hood must not be discharged into any heating flue, which may carry combustion products from other sources.



- Do not leave lit gas burners exposed due to the risk of fire.



- This range hood is not recommended for barbecues.

Always to do:

- Packaging materials (eg; polystyrene and plastic items) must be kept out of reach of babies or young children at all times due to risk of suffocation.
- Young children should be supervised to ensure that they do not play with the appliance.
- Ensure the range hood is switched off before carrying out maintenance, to avoid any possibility of electric shock.
- Grease filters must be removed every four weeks (maximum) for cleaning to reduce the risk of fire.
- There must be adequate ventilation of the room when the range hood is used at the same time as appliances burning gas or other fuels.
- Always cover lit gas burners with pots or pans when range hood is in use.
- Always switch off gas burners before you remove pots or pans.
- If the supply cord is damaged, the cord must be replaced by the manufacturer, its service agent or similarly qualified persons in order to avoid a hazard
- Plug must be accessible after installation.

Safety Instructions

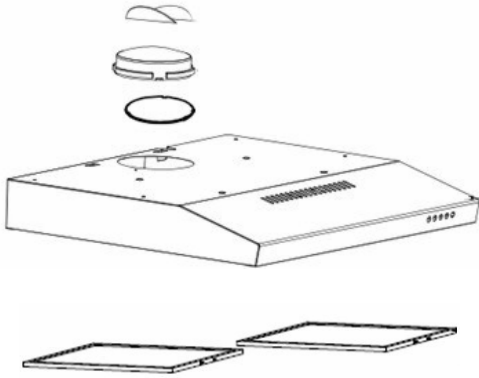
Never to do:

- This range hood cannot be installed for outdoor use.
- It is prohibited to fit the range hood over a solid fuel stove
- This appliance must not be connected to a chimney or vent flue which is in use.
- This appliance is not to be vented into the roof cavity, must exit into open air.
- Exhaust air must not be discharged into a wall cavity, unless the cavity is designed for the purpose.
- This appliance should not be connected to ducting which ventilates rooms with fire places.

Always to do:

- Attention should be given to ensure that any applicable regulations concerning discharge of exhaust air are fulfilled.
- This appliance should be installed and maintained by a suitably qualified and competent person in accordance with the relevant safety regulations.
- Before connecting the appliance to the mains supply, ensure that the voltage and frequency details on the rating plate are consistent with the source of supply.

Product Description



Accessories		
Description	Picture	QTY
Installation & User Manual		1
Outlet(diameter 120mm)		1
Dry wall anchors plugs		6
Outlet cover		1
Screw(ST4x30mm)		6

Component list:

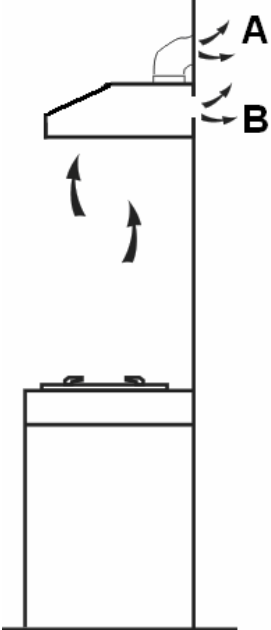
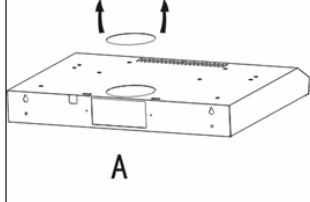
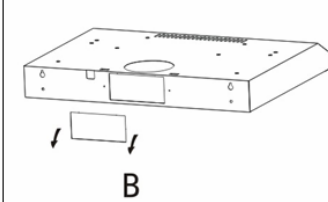
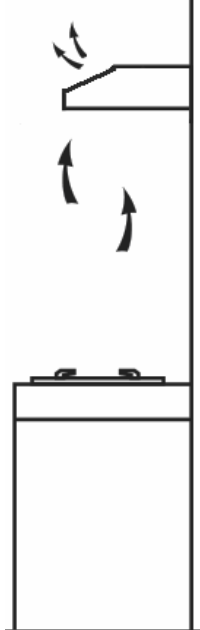
1. Outlet(diameter 120mm)
2. Main body
3. Grease mesh filters

Technical data:

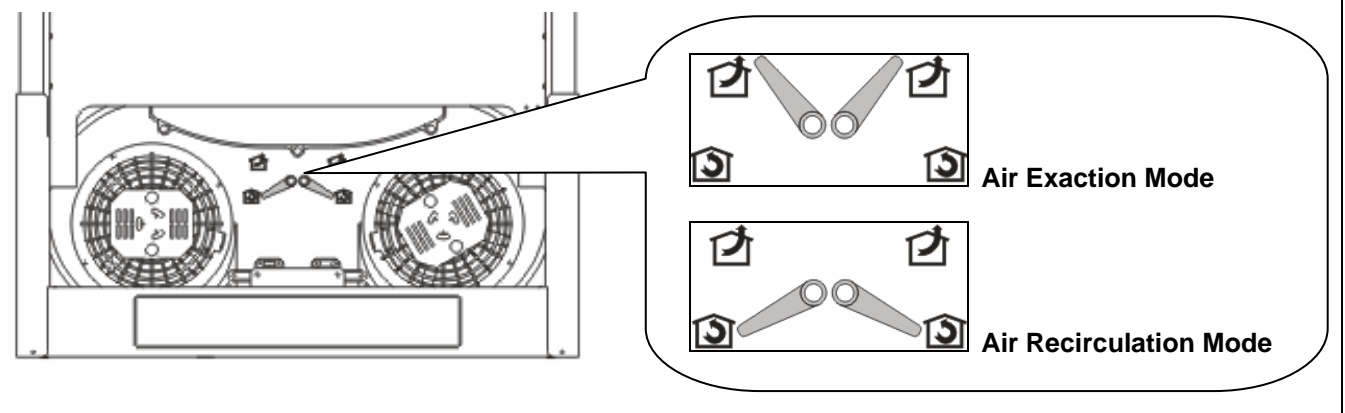
Model	Description	Motor	Width	Others
BR603SPX	60cm slim line stainless	2x100W	600mm	Power supply: 220 – 240v, 50Hz Lights: 1x28W E14 Length of power cord: 1.5m Air outlet diameter: 120mm
BR603SPX-F	steel range hood			
BR603SPW	60cm slim line painted			
BR603SPW-F	white range hood			
BR603SPX1	60cm slim line stainless	1x100W		
BR603SPX1-F	steel range hood			
BR603SPW1	60cm slim line painted			
BR603SPW1-F	white range hood			
BR903SPX	90cm slim line stainless	2x100W	900mm	
BR903SPX-F	steel range hood			
BR903SPW	90cm slim line painted			
BR903SPW-F	white range hood			
BR903SPX1	90cm slim line stainless	1x100W		
BR903SPX1-F	steel range hood			
BR903SPW1	90cm slim line painted			
BR903SPW1-F	white range hood			

Operation Mode

Your range hood can be operated in two optional modes, choose the mode suitable for your kitchen before installation.

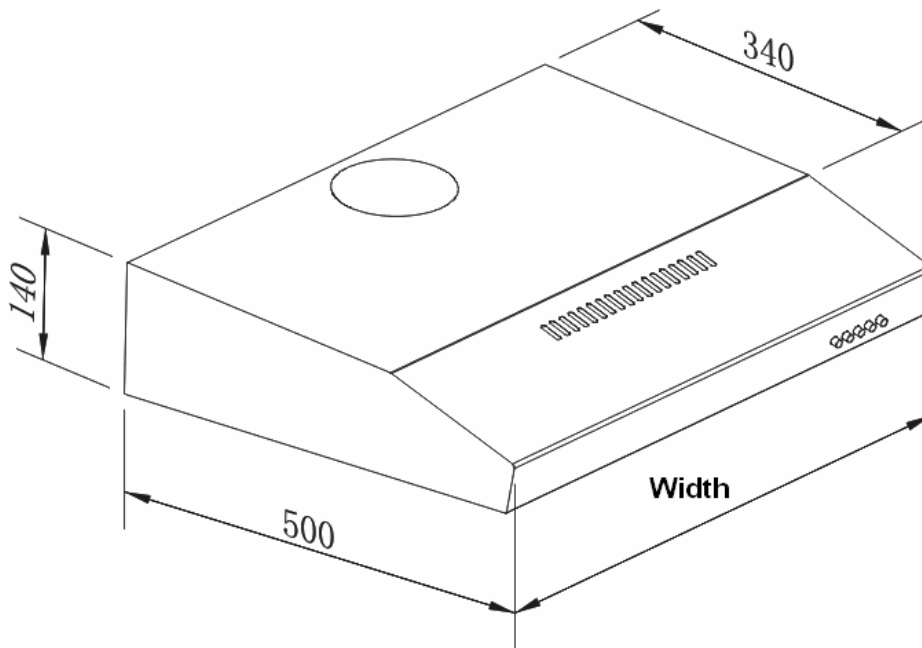
Air Exaction	Air Recirculation
 <p>For air exaction mode, a ducting kit is required, the air is drawn in and cleaned by the grease filters and directed outside. Ducting must be vented to outside atmosphere. Your range hood can duct from top(A) or back(B).</p>  	 <p>For air recirculation mode, charcoal filter is a must to eliminate cooking smells. The air is drawn in and cleaned first by the grease filters and then charcoal filter. The cleaned air is then re-circulated back into kitchen through holes above front panel.</p>

You can shift between above 2 modes by turning the shifter



Installation

Dimensions:



*Width data please refer to page 4

Installation:

Warning:

Check that the installation complies with the standards of local building, gas and electrical authorities. Before connecting to the mains supply ensure the mains voltage corresponds to the voltage on the appliance rating plate inside the range hood.

When installing the range hood, make sure you adhere to the minimum and maximum distances from the range hood base to the cooktop hob surface.

Hints for exhaust duct installation

The following rules must be strictly followed to obtain optimal air extraction

- Keep exhaust duct short and straight
- Do not reduce the size or restrict exhaust duct
- When using flexible duct always install the duct pulled taut to minimize pressure loss
- Failure to observe these basic instructions will reduce the performance and increase noise levels of the range hood

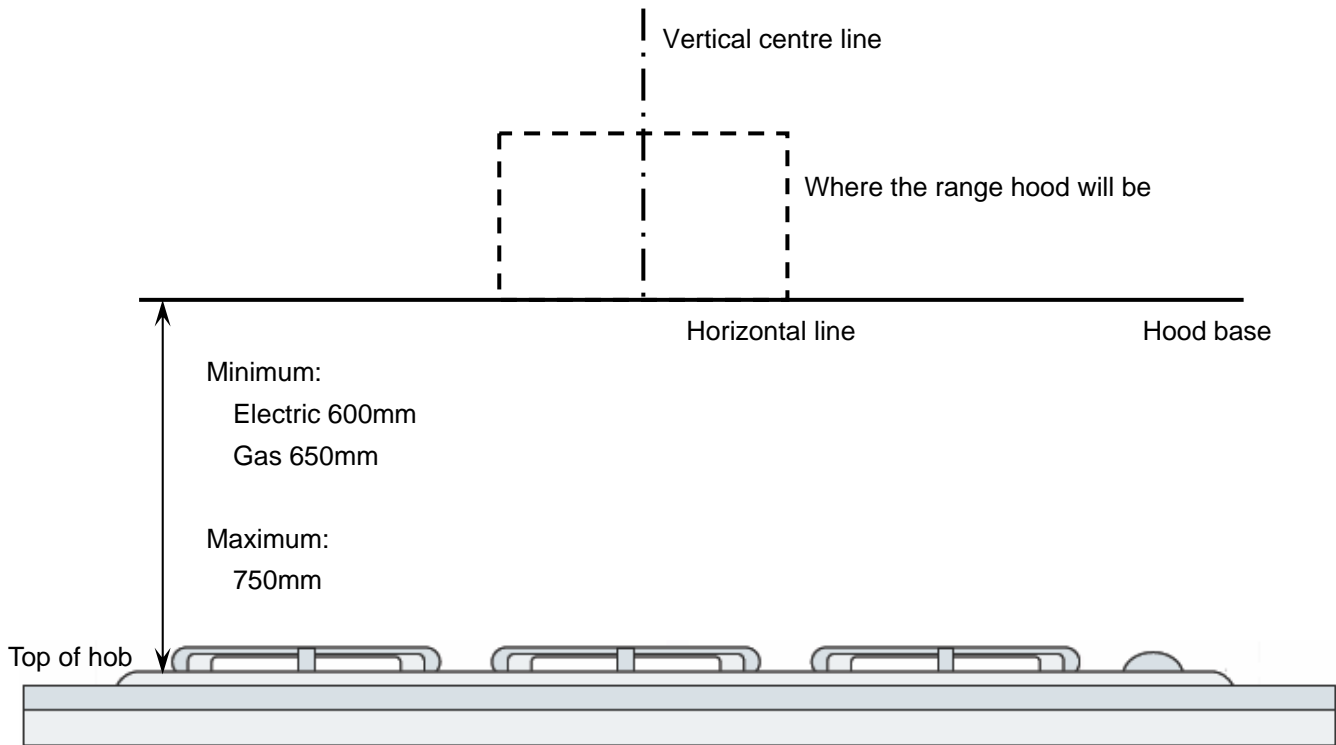
Ensure the exhaust ducting selected for installation complies with relevant standards and is fire retardant.

We provide two options to install your range hood, against wall (method A) or into cabinet (method B), choose what kind of method you want and then follow up corresponding instruction.

A: Install against wall

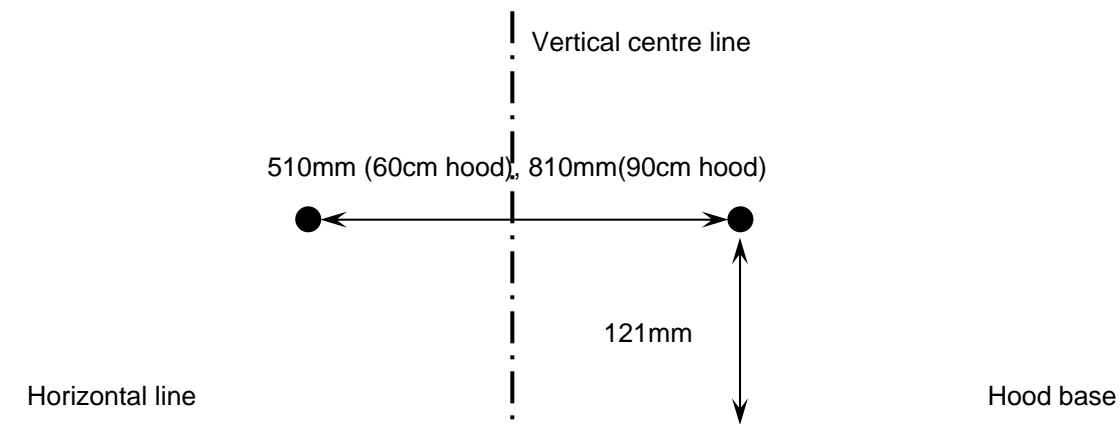
- Using a spirit level mark a vertical centre line on the wall where the hood is to be positioned, and a horizontal line where the hood base will be.

NOTE: The distance from the horizontal line to an electrical cooktop underneath must be minimum of 600mm & 650mm to a gas cook top and a maximum height of 750mm.



*If the instructions of the hob specify a greater distance than the minimum above, then that shall be the minimum height for installation

- Drill 2 holes of 8mm diameter on the wall according to below drawing.

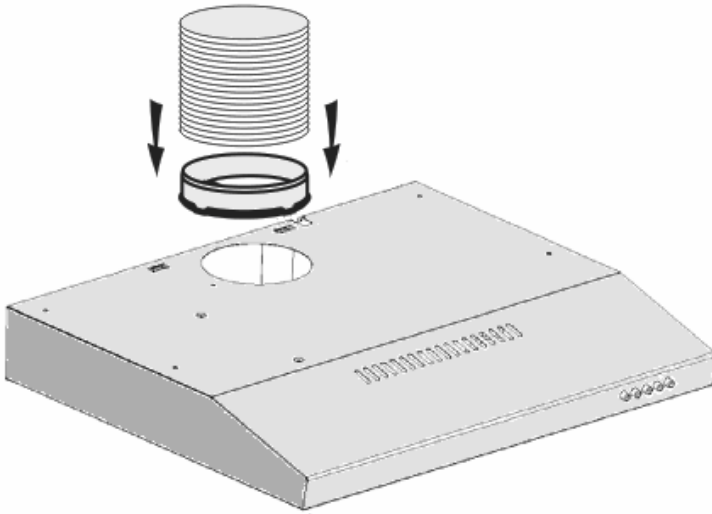


- Hammer *dry wall anchor plugs* into holes. Insert 2pcs *Screw(ST4x30mm)* into the 2 holes (with distance to horizontal line 121mm) and fasten, they will be used to hang on the range hood.

Warning: Failure to install the screws or fixing device in accordance with these instructions may result in

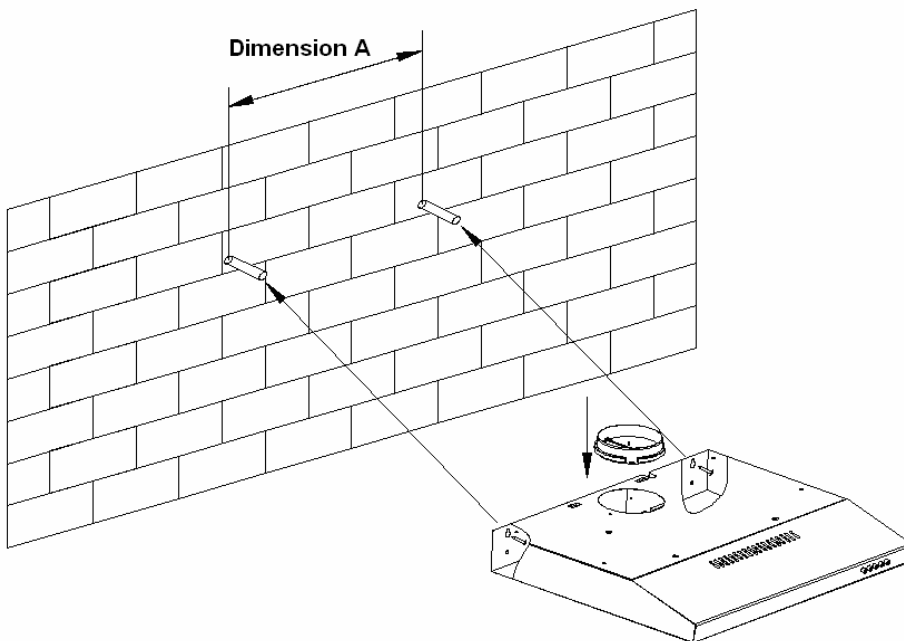
electrical hazards

Fit the *outlet* and flexible exhaust pipe* on top of range hood body.



*Flexible exhaust pipe is not included in this packaging

Warning: Failure to install the screws or fixing device in accordance with these instructions may result in electrical hazards

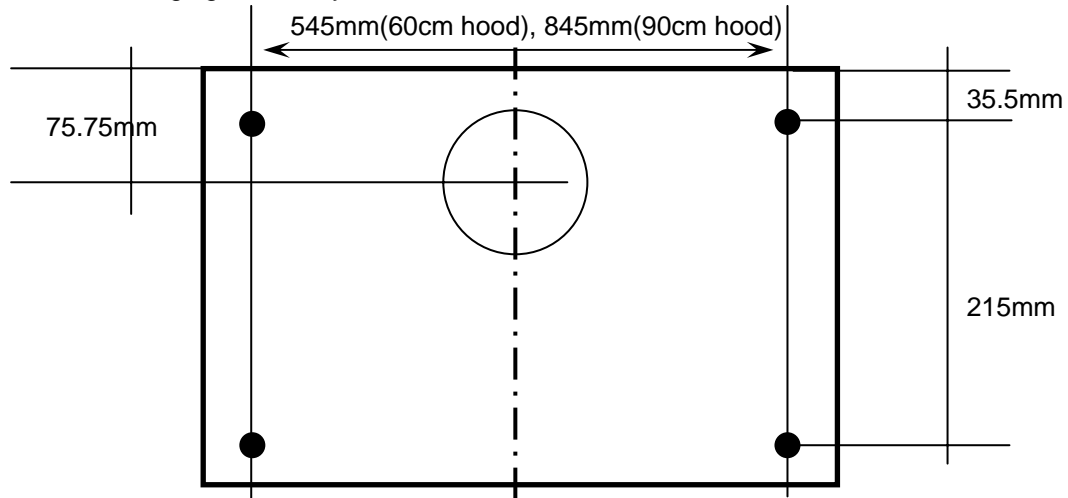


For 60cm range hood, dimension A=510mm

For 90cm range hood, dimension A=810mm

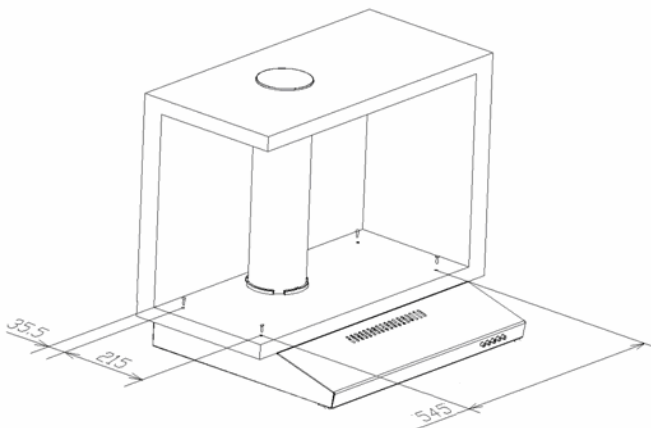
B: Install into cabinet

1. According to below drawing to determine where want to place the range hood, and drill 4 holes with 4mm diameter at the hanging board of your cabinet.



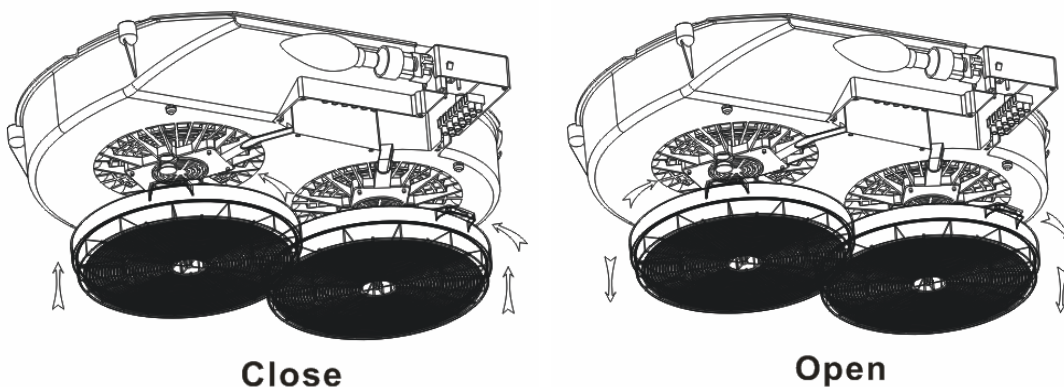
2. Fit the *outlet* on top of range hood body.
3. Install the range hood onto the bottom of cabinet board, insert 4pcs *Screw(ST4x30mm)* into the holes and fasten.

Warning: Failure to install the screws or fixing device in accordance with these instructions may result in electrical hazards



Installation of charcoal filters

When you choose front recirculation mode, charcoal filter is a must to be installed. Charcoal filter is optional accessory. To install charcoal filter, you will need to fit *outlet cover* firstly, remove *grease mesh filters* and fit charcoal filter on.



Start Using Your Range Hood

Push button



0 Off button

It's used for turning off the fan.

↻ Low Speed button

It's used for Ventilation on the kitchen. It is suitable for simmering and cooking which do not make much steam.

↻ Medium Speed button

Airflow speed is ideally for ventilation in standard cooking operation.

↻ High Speed button

When high density of smoke or steam produced, press high-speed button for highest effective ventilation.

💡 Light button

Turn on or off the light

Maintenance and cleaning

Caution:

- Before maintenance or cleaning is carried out, the range hood should be disconnected from the main power supply. Ensure that the range hood is switched off at the wall socket and the plug removed.
- External surfaces are susceptible to scratches and abrasions, so please follow the cleaning instructions to ensure the best possible result is achieved without damage.

GENERAL

Cleaning and maintenance should be carried out with the appliance cold especially when cleaning. Avoid leaving alkaline or acid substances (lemon juice, vinegar etc.) on the surfaces.

STAINLESS STEEL

The stainless steel must be cleaned regularly (e.g. weekly) to ensure long life expectancy.

Dry with a clean soft cloth. A specialized stainless steel cleaning fluid may be used.

NOTE: Ensure that wiping is done along with the grain of the stainless steel to prevent any unsightly crisscross scratching patterns from appearing.

CONTROL PANEL SURFACE

The inlay control panel can be cleaned using warm soapy water. Ensure the cloth is clean and well wrung before cleaning. Use a dry soft cloth to remove any excess moisture left after cleaning.

Important

Avoid using harsh cleaning chemicals, strong household detergents or products containing abrasives as this will affect the appliance appearance and potentially remove any printing of artwork on the control panel and will void manufactures warrantee

GREASE MESH FILTERS

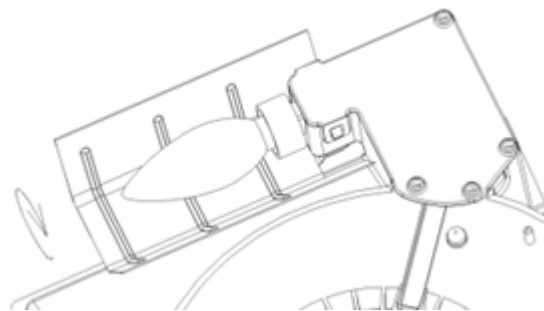
The mesh filters can be cleaned either by hand or in the dishwasher. After cleaning ensure that the filters are completely dry before refitting.

- By hand: Soak in warm water and a neutral washing up liquid. For stubborn grease stains use a soft nylon brush or sponge to help remove these stains. (Leave to dry naturally out of direct sun light)
- In a dishwasher: Ensure that placement of the filters is made so as to not impede the function of the spray arm. Washing the filters in a dishwasher may cause discoloration of the aluminum inner mesh over time although it will not affect their performance. Filters should be washed separately to crockery and kitchen utensils. It is advisable not to use rinse aid.

CHARCOAL FILTERS

When air recirculation mode is chosen, a charcoal filter is a must. It is not washable and should be replaced when it no longer absorbs kitchen odors effectively. Under normal use, this would be approximately every 3 months or more frequently for particularly heavy usage.

REPLACE LAMP



Remove two grease mesh filters, twist to remove bulb, whilst cool, and replace carefully with a new bulb. The range hood takes 1 x 28W incandescent bulbs.

Important

When handling bulb, make sure it is completely cool down before any direct contact to hands.

WARRANTY

- 1.1 In this warranty:
- 1.1.1 Australian Consumer Law means the law as set out in Schedule 2 of the Competition and Consumer Act 2010;
 - 1.1.2 **Company** means GSM Sales Pty Ltd ABN 53 007 682 475 of 142-144 Fullarton Road, Rose Park SA 5067. Telephone 08 8122 2390. Email admin@gsm-sales.com.au;
 - 1.1.3 **Consumer** means a “consumer” as that term is defined in Section 3 of the Australian Consumer Law as the original purchaser of a Bellini product;
 - 1.1.4 **Consumer Guarantees** means the guarantees under the Australian Consumer Law;
 - 1.1.5 **You** means the Consumer.
- 1.2 Nothing in this warranty affects any person’s rights under the Australian Consumer Law. The benefits to any Consumer under this warranty are in addition to the rights and remedies available under any Consumer Guarantees.
- 1.3 Subject to the other clauses of this warranty, the Company warrants to the Consumer that the Bellini product will be free of manufacturing defects and will perform to the Company’s specifications.
- 1.4 The benefit of this warranty extends only to the Consumer as original purchaser of a Bellini product which is installed in a residential property.
- 1.5 This warranty commences on the date of purchase of the Bellini product by the Consumer and continues for the benefit only of the Consumer until the expiry of one (1) years (**Warranty Period**).
- 1.6 If within the Warranty Period a manufacturing defect is discovered in the Bellini product or it fails to perform to the Company’s specifications as a result of some defect in materials, components or workmanship (Defect) then the Company will, at its option, repair the Bellini product or supply a replacement Bellini product free of charge. A replacement Bellini product may differ from the original product purchased by the Consumer.
- 1.7 This warranty will not apply to any Bellini product:
- 1.7.1 Installed by any person other than a qualified tradesperson; or
 - 1.7.2 Subjected to misuse, neglect, negligence or accidental damage; or
 - 1.7.3 Operated in any way contrary to any operating or maintenance instructions; or
 - 1.7.4 Improperly handled, installed or maintained; or
 - 1.7.5 Altered or modified prior to or after installation; or
 - 1.7.6 Damaged directly or indirectly by power surges, electrical storm damage or connection to incorrect power supply

The Australian Consumer Law requires the inclusion of the following statement
with this warranty:

Our goods come with guaranteed that cannot be excluded under the Australian Consumer Law. You are entitled to a replacement or refund for a major failure and for compensation for any other reasonably foreseeable loss or damage. You are also entitled to have the goods repaired or replaced if the goods fail to be of acceptable quality and the failure does not amount to a major failure.

**IN ORDER TO MAKE A CLAIM UNDER THIS WARRANTY THE
CONSUMER MUST CALL 1300 373 199 (AUSTRALIA) OR 0508 123 108
(NEW ZEALAND) TO CONNECT TO THE NEAREST AUTHORISED CENTRE**

- 1.8 You must provide proof of your purchase of the Bellini product and the date of purchase in order to obtain the benefit of this warranty.
- 1.9 If you live outside the service area of the Company or one of its service agents, this warranty does not cover the cost of transport of the Bellini product for service nor the service agent's traveling costs to and from your home.
- 1.10 If you are required to transport the Bellini product to the Company or its service agent, you must ensure it is safely disconnected by a qualified tradesman and securely packed and insured. The Company does not accept any responsibility for loss or damage of the Bellini product prior to it being received by the Company or its service agent.
- 1.11 You will be responsible for all costs of returning a Bellini product to the Company and for redelivery of the Bellini product by the Company (whether it is the original or a repaired and/or a replacement Bellini product) and for any other expenses you incur in claiming under this warranty.
- 1.12 The Company or its service agent will examine any Bellini product and if the Company determines that it is defective through no fault of the Owner and is otherwise undamaged, the Company will repair or replace the Bellini product in accordance with this warranty.

DO NOT SEND IN THIS WARRANTY

Fill out the following details and file with your purchase invoice.

RETAIN & FILE WITH YOUR RECEIPT

Your Purchase Receipt/Invoice is proof of date of purchase. If you are unable to establish the date of purchase, or if the fault is not covered by this warranty, or if the product is found to be in working order, you will be required to bear all service call charges.

GSM Sales Pty Ltd reserves the right to discontinue items, modify designs and change specifications without incurring obligation.

Whilst every effort is made to ensure that descriptions, specifications and other information in this publication is correct, no warranty is given in respect thereof and the company shall not be liable for any errors therein.

Purchased from:

Co. Name:

Address:

Date of Purchase:

Serial number:

NOTE: Consistent with our continuing product development policy, improvements may have been made which render the contents of this packaging slightly different to that shown.

**FOR WARRANTY SERVICE CALL 1300 373 199 (AUSTRALIA)
OR 0508 123 108 (NEW ZEALAND) TO CONNECT YOU TO THE NEAREST
AUTHORISED SERVICE CENTRE**

