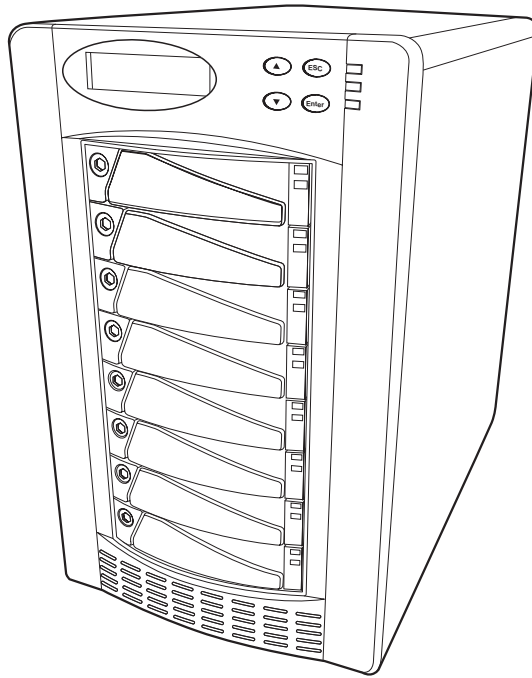


**Sivy SA-3340S  
Hardware User Manual**

**Ultra 320 SCSI to Serial ATA  
Disk Array Systems**

**Version 1.0**





# SA-3340S

Ultra 320 SCSI to Serial ATA

Disk Array System

Hardware User Manual



# Table of Contents

Preface.....	i
--------------	---

---

## Chapter 1 Overview

System Requirements .....	1
Operating Environment .....	1
VT100 Terminal Settings .....	1
Host Interface .....	2

---

## Chapter 2 Basic Configuration

Unpacking .....	3
Components .....	4
Front View .....	4
Control Panel .....	5
Disk Tray .....	6
Rear View .....	7
Installing Disks .....	8
Making Connections .....	10
Connecting the Host Interface .....	10
Connecting the RS-232 Cable .....	11
Connecting and Turning on the Power .....	12

---

## Chapter 3 Maintenance

Replacing a Disk .....	13
Replacing a Power Supply .....	14
Upgrading Memory .....	16
Replacing a Fan .....	19

---

## Appendix

Hardware Specifications .....	23
-------------------------------	----



# Preface

## About this Manual

This manual is designed to make the disk array system as easy to use as possible. Information contained in this document has been checked for accuracy, but no guarantee is given that the contents are correct. Information and specifications are subject to change without notice.

## Copyright Notice

© Copyright 2006 MaxTronic International Co., Ltd.

All rights reserved. This disk array system and related documentation are protected by copyright and are distributed under licenses restricting their use, copying, and distribution. No part of this documentation may be reproduced in any form by any means without prior written authorization of MaxTronic International Co., Ltd. and its licensors, if any.

## Conventions



### Caution

This symbol is used to remind users to pay attention to important descriptions regarding usage and maintenance (repair) or additional important information related to this disk array system.



### Note

This symbol is used to remind users of useful information that can make procedures such as configuration easier to accomplish.

---

## Important Safety Instructions, Care and Handling



Before starting, take a few minutes to read this manual. Read all of these instructions and save this manual for later reference.



Protect the disk array system from extremely high or low temperatures. Let the disk array system warm (or cool) to room temperature before using it.



Protect the disk array system from being bumped or dropped. Do not place the disk array system on an unstable cart, stand, or table. It may fall, causing serious damage to the product.



Keep the disk array system away from magnetic forces.



Do not use the disk array system near water.



Keep the disk array system away from dust, sand, or dirt.



Gaps and openings in the cabinet are provided for ventilation. Never block or cover these openings, because the disk array system may overheat and become unreliable. Don't place the disk array system on a bed, sofa, rug, or other similar surface.



Do not place the disk array system near or over a radiator or heat register.

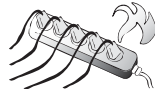


Refer to the rating plate for the correct voltage and ensure that the appliance voltage corresponds to the supply voltage.





The appliance must be grounded. The disk array system is equipped with a 3-wire grounded type of power cord. This power cord will only fit into a grounded type of power outlet.



If an extension cord or a power center is used with the disk array system, make sure that the total current consumption of all products plugged into the wall outlet does not exceed the ampere rating.



Do not place the disk array system where the cord will be walked on.



Never push any kind of object into the disk array system through cabinet gaps and openings, since they may touch dangerous voltage points and cause a risk of fire or electric shock.



Unplug the power cord from the wall outlet before cleaning. Keep the disk array system dry. Do not use liquid cleaners, aerosol cleaners, or a wet cloth. Use a damp cloth for cleaning.



Except as specifically explained in this User Manual, do not attempt to service the disk array system by yourself. Opening or removing the covers may expose you to dangerous voltages.



Unplug this product from the wall outlet and refer servicing to qualified service personnel under the following conditions.

- If the disk array system has been exposed to water or any liquid.
- If the disk array system has been dropped or the cabinet damaged.



User should not remove the cover.



Disconnect all power supply cords before servicing.

---

### Placement Notes



- The disk array system LCD panel can be damaged by exposure to direct sunlight. Limit exposure to subdued or indirect sunlight only.
- The disk array system should be used only in clean environments that are free from airborne contaminants such as dust, dirt, and smoke. Excessive moisture or oil particles in the air can also hinder disk array system performance.
- To reduce the possibility of data errors caused by electromagnetic interference, locate the disk array system at least five feet away from electrical appliances and equipment that generates magnetic fields.

---

### Power Supply Safety Notes



- To avoid electric shocks, do not use an extended power cord or an outlet that does not match the disk array system plug or leaves the plug exposed.
  - The disk array system has a 3-wire grounded plug. The third pin connects to ground; do not remove it.
  - If the power cord or plug is damaged or worn, unplug it immediately and contact a qualified service technician for maintenance.
  - To avoid fire or electric shocks, do not overload electric power outlets.
-

# 1 Overview

## System Requirements

Ensure that the following requirements are met before installing the disk array system.

### Operating Environment

- 15 cm (6 inches) of space around the disk array system for proper ventilation
- ambient temperature of 5°C to 40°C (40°F to 104°F)
- ambient non-condensing relative humidity of 10% to 85%
- dust, smoke, and oil free environment
- no large magnetic fields, such as those generated by a high voltage power cables and motors, etc.
- no direct sunlight
- a flat, stable surface capable of supporting the disk array system

### VT100 Terminal Settings

Refer to the following table for a summary of VT100 terminal settings required to communicate with the disk array system. Refer to your system manual for instructions on setting up the VT100 terminal settings.

Item	Required Setting
Connection	Serial Port (COM1 or COM2)
Protocol	RS232 (Asynchronous)
Cabling	Null Modem cable
Baud Rate	115200
Data Bits	8
Stop Bit	1
Parity	None

## Host Interface

The disk array system has dual SCSI interfaces. Refer to the following sections to understand host interface system requirements.

### Small Computer Systems Interface

The SA-3340S has dual Ultra320 SCSI interfaces that are compatible with previous SCSI standards. Refer to the following table to understand SCSI bus requirements.



#### Note

Subtract the internal cable length (60 cm) from the maximum SCSI bus length to calculate the maximum external SCSI cable length.

SCSI Standard	Maximum SCSI Bus Length in Meters	Data Rate in Megabytes per Second	Maximum Number of Devices
Ultra320	12	320	15
Ultra160	12	160	15
Ultra2	12	80	15
Ultra Wide	1.5	40	7
Fast Wide	3	20	15
Ultra	1.5	20	7

# 2 Basic Configuration

This chapter describes disk array system connections and disk installation.

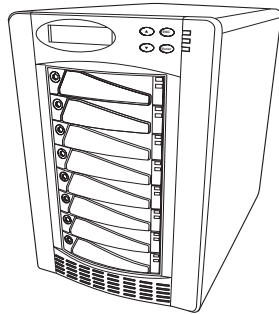
## Unpacking

Contact your supplier if any of the following items are missing or damaged.

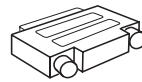


### Caution

The disk array system is heavy. Be careful when lifting and moving it.



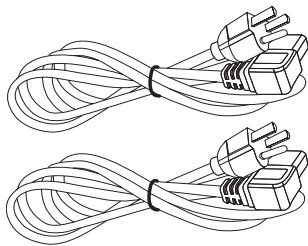
**Disk Array System**



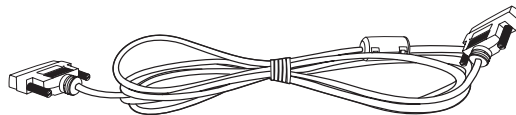
**Terminator**



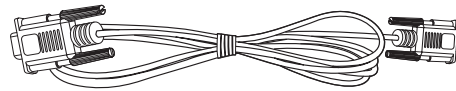
**Front Panel Keys**



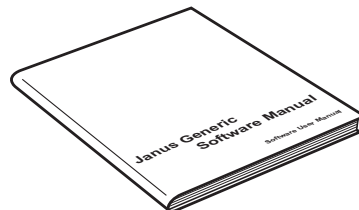
**Power Cables**



**Ultra320 SCSI Cable**



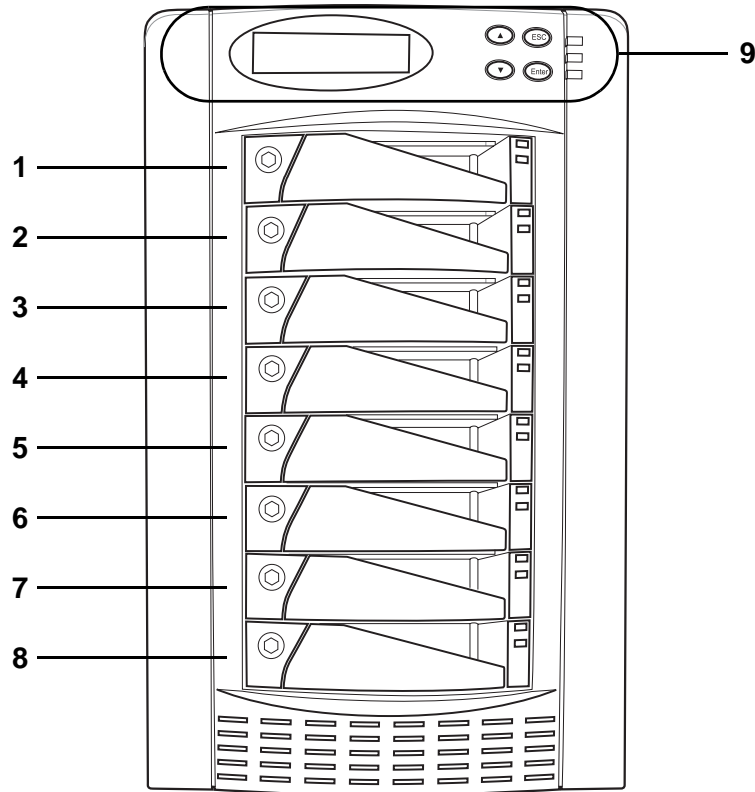
**RS-232 Cable**



**HW/SW User Manual**

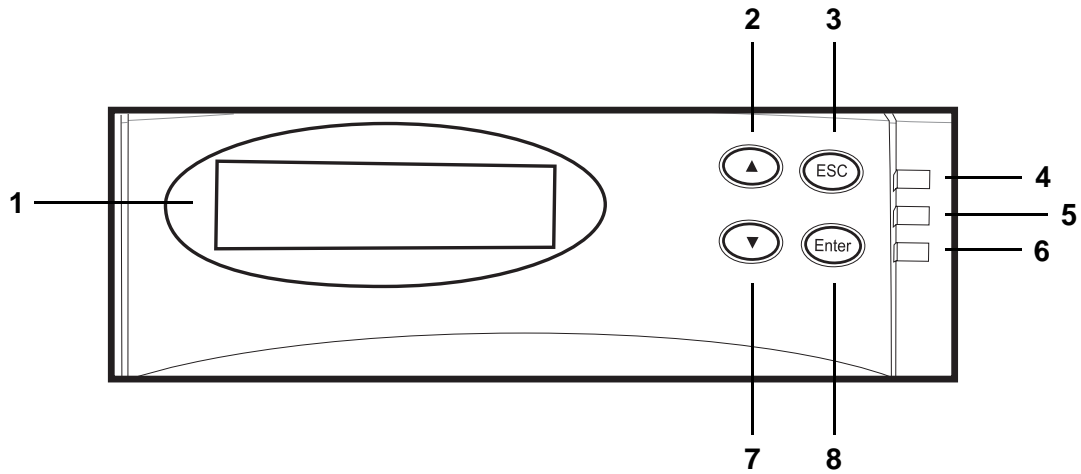
# Components

## Front View



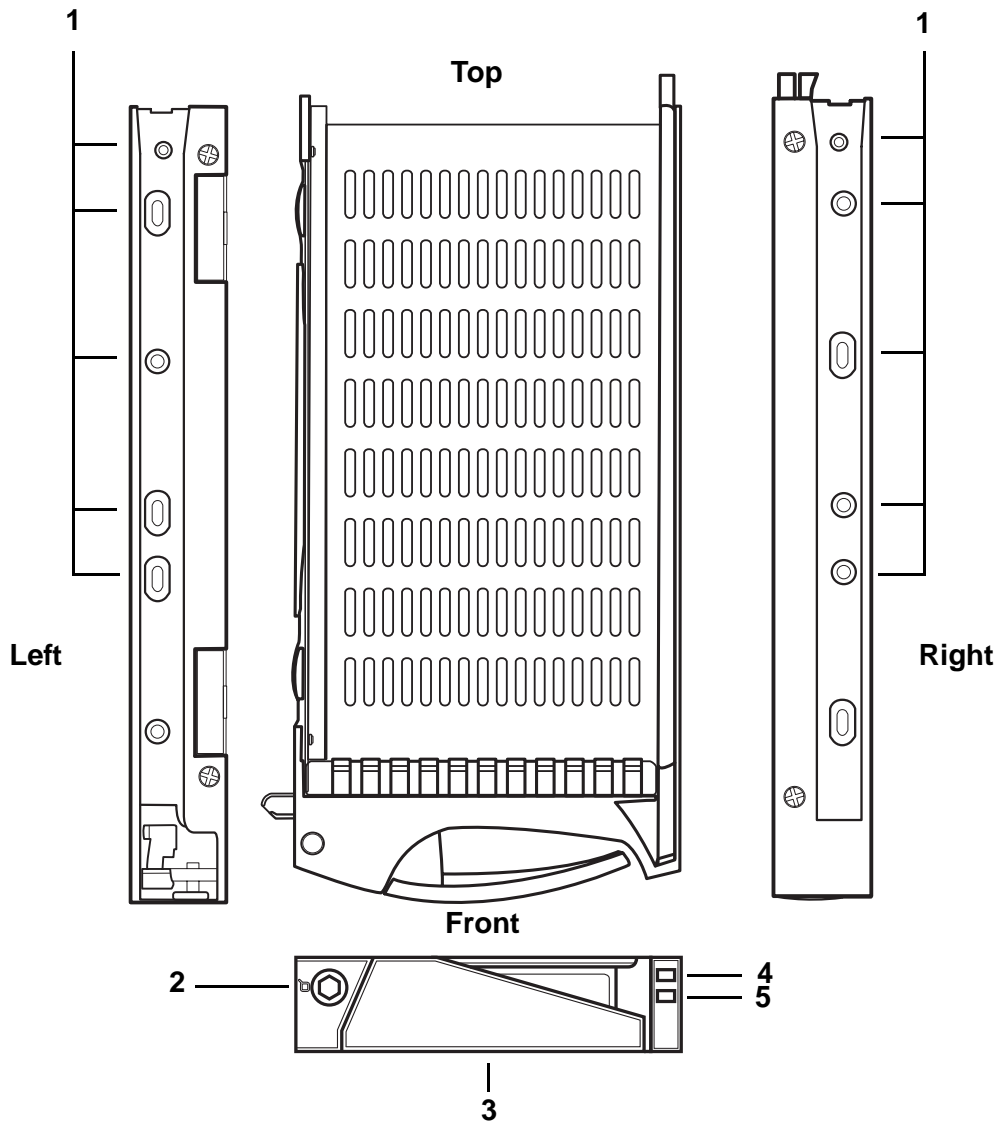
No.	Name	Description
1-8	Disk trays 1 to 8	Removable hot swap disk trays.
9	Control panel	Displays warning, operating, and configuration information.

## Control Panel



No.	Name	Description
1	LCD panel	Displays warning, operating, and configuration information.
2	Up button	Moves up in the LCD menus.
3	Escape button	Returns to the previous LCD menu without making changes.
4	Power-on indicator	Indicates the disk array system power is on.
5	Power supply fail indicator	Indicates a failed power supply.
6	Host computer access indicator	Indicates data transfer between the disk array system and the host computer.
7	Down button	Moves down in the LCD menus.
8	Enter button	Selects a menu item or confirms a choice or entry.

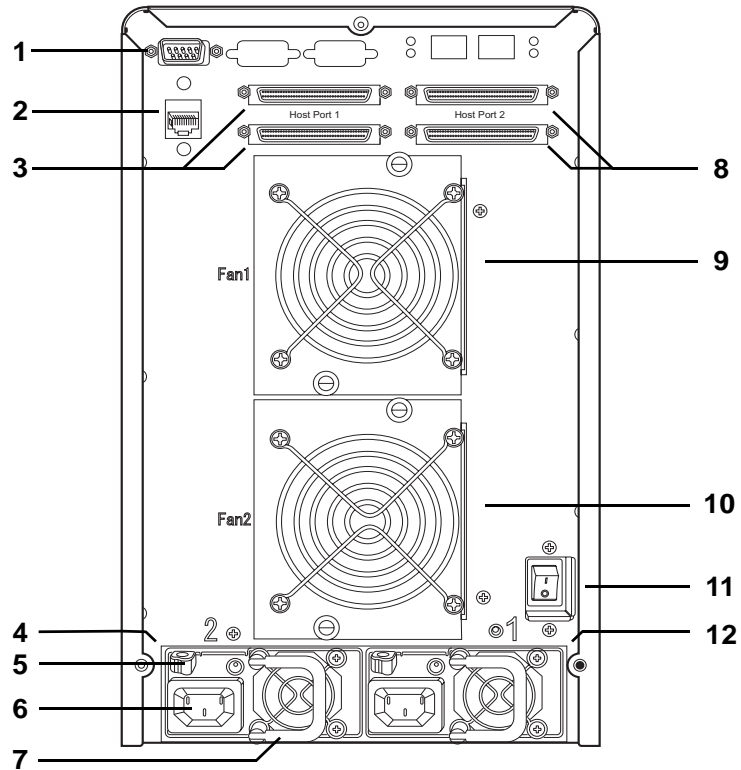
# Disk Tray



No.	Name	Description
1	Disk mounting holes	Allows the disk be mounted on the disk tray with the screws included with the disk.
2	Tray lock	Prevents unauthorized removal of a disk tray. Opened with the included disk tray lock key.
3	Tray handle	Releases the disk tray.
4	Power/Error indicator LED	Indicates normal operation of the disk when green, or an error or failure of the disk when red.
5	Access indicator LED	Indicates that the disk is being accessed.



## Rear View

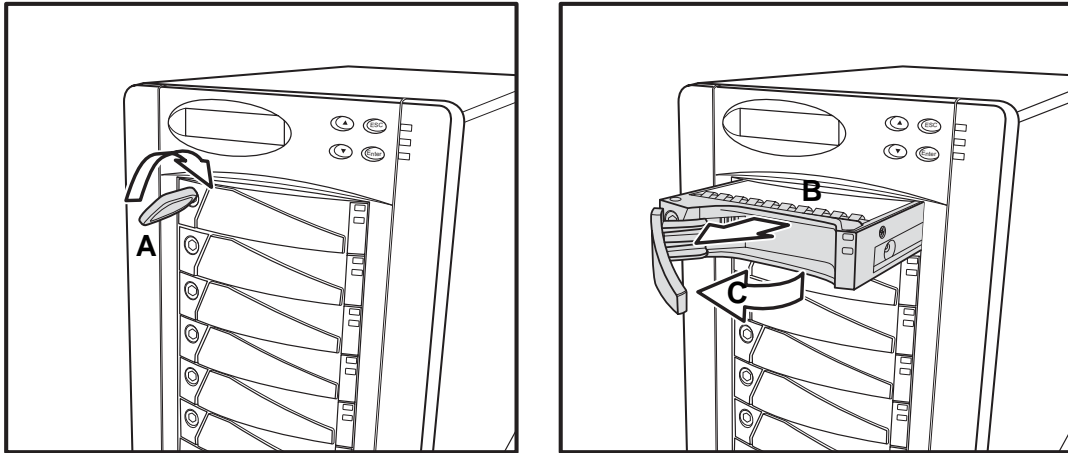


No.	Name	Description
1	RS-232 Port	Connects to a VT100 terminal or equivalent.
2	Ethernet Port	Used for browser-based configuration.
3	Host Port 1 (Primary SCSI channel)	Connects to the host server.
4	Power Supply 2	Removable redundant power supply 2.
5	Hot Swap Power Supply Release	Allows the power supply to be released.
6	Power Supply AC In	Connects to a 110-240 VAC power source.
7	Power Supply Handle	Allows the power supply to be removed.
8	Host Port 2 (Secondary SCSI channel)	Connects to the host server
9	Fan 1	Removable redundant fan 1.
10	Fan 2	Removable redundant fan 2.
11	Power Supply Switch	Switches the power on or off.
12	Power Supply 1	Removable redundant power supply 1.

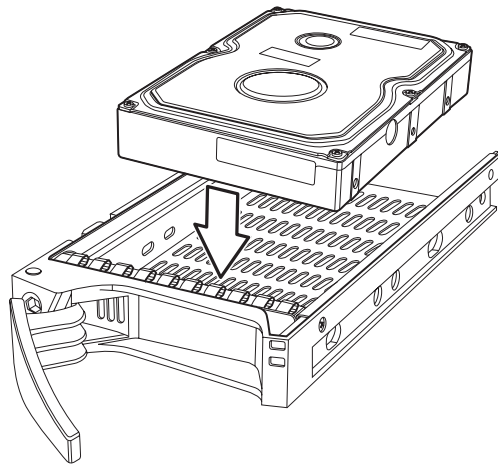
# Installing Disks

This section describes how to install disks in the disk array system.

- 1 Unlock the disk tray (A) then pull the disk tray handle to the opened position (B) and remove the disk tray (C).

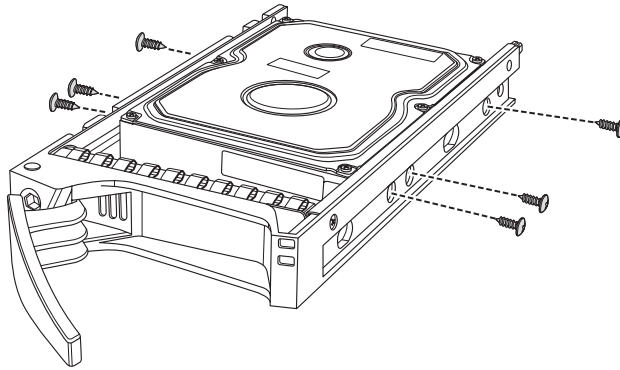


- 2 Insert the disk into the disk tray. The disk should face up with the connectors directed toward the open rear of the tray.

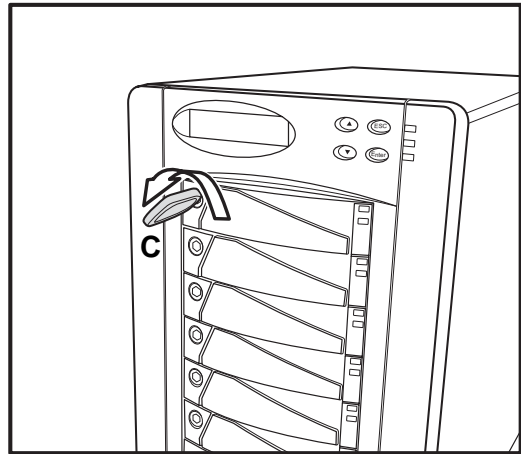
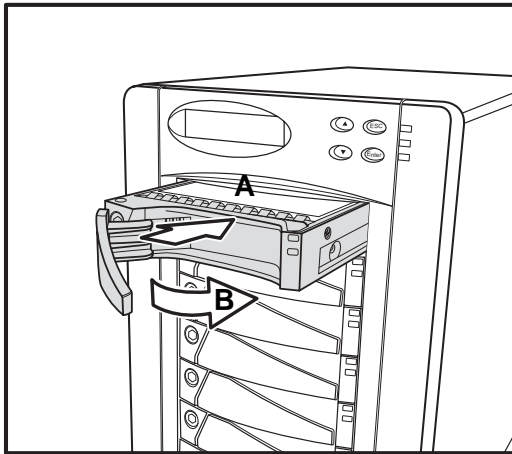


- 3 Align the back of the disk with the back of the disk tray.

- 4 Attach the disk to the disk tray with the screws supplied by the disk supplier.



- 5 Slide the disk tray back into the empty slot (A), push the disk tray handle closed (B), then lock the disk tray (C).



- 6 Repeat these steps until all of the required disks have been installed.

# Making Connections

After the required number of disks have been installed, external connections to the disk array system must be made. This section describes how to make all of the necessary connections.

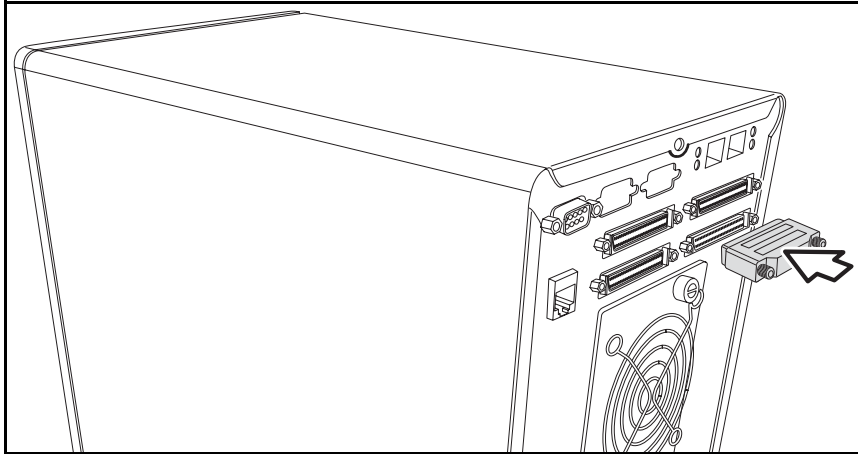
## Connecting the Host Interface

The disk array system has dual SCSI interfaces. Refer to the following sections to make host interface connections.

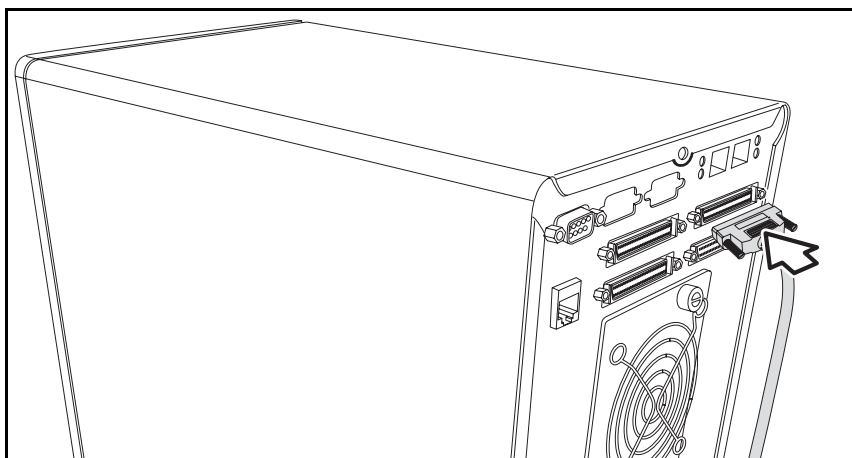
### Small Computer Systems Interface

The SA-3340S has dual Ultra320 SCSI interfaces. Follow these instructions to make connections.

- 1 Connect the active SCSI terminator to the bottom connector of the SA-3340S host port 2 (Secondary SCSI channel) at the rear of the disk array system.

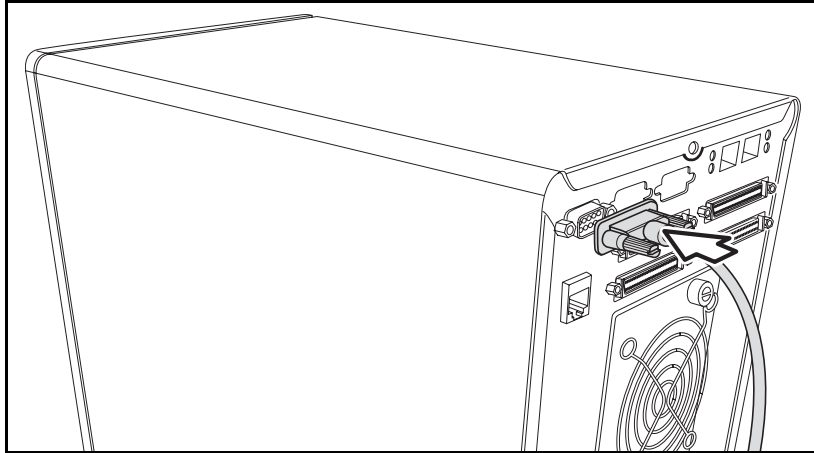


- 2 Connect the Ultra320 SCSI cable to the top connector of the SA-3340S host port 2 (Secondary SCSI channel) at the rear of the disk array system.



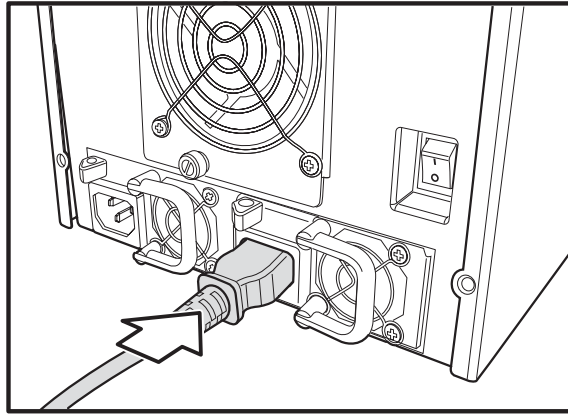
## Connecting the RS-232 Cable

Connect the supplied RS-232 cable to the RS-232 port at the rear of the unit.



## Connecting and Turning on the Power

- 1 Connect a power cable to a power supply connector at the rear of the unit.



- 2 Connect the second power cable to the remaining power supply connector.



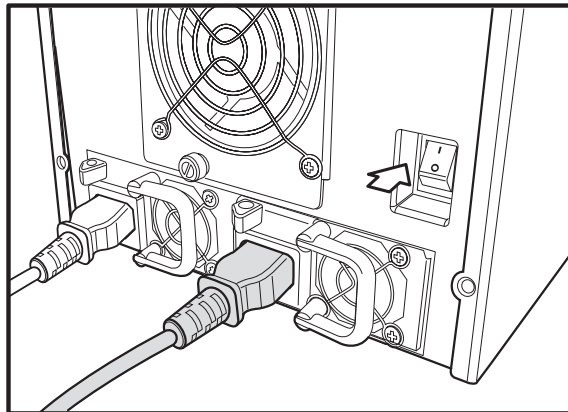
---

### Note

The system is equipped with auto switching power supplies that can run on 100 to 240 VAC.

---

- 3 Press the disk array system power switch to the ON position. The disk array system automatically begins the self-test sequence.



# 3 Maintenance

## Replacing a Disk

A disk failure is indicated when the Power/Error LED at the front of the drive tray turns red and the audible alert sounds.



---

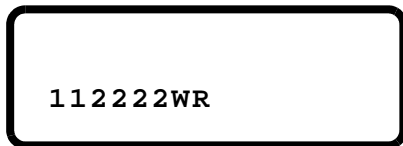
### Note

Turn off the audible alert by pressing the Up ↑ and Down ↓ function buttons on the front panel twice simultaneously.

---

The LCD panel displays the failure with the symbol “R” or “W”. “R” indicates a disk failure or error, and “W” indicates that there are too many bad sectors on the disk.

### Example:



- Disks 1 to 2 are members of RAID group 1.
- Disks 3 to 6 are members of RAID group 2.
- Disk 7 has too many bad sectors.
- Disk 8 has an error or a fault.

Disks are hot swappable, which means that they can be inserted and removed while the disk array system is powered on and operating. Follow these instructions to replace a failed disk.

- 1 Unlock the disk tray with an included disk tray key.
- 2 Gently pull the disk tray handle to the opened position.
- 3 Remove the screws from the failed disk, then remove the disk from the disk tray.
- 4 Align the rear of the new disk with the rear of the disk tray.
- 5 Insert the new disk into the disk tray.



### Note

The new disk must have the same or a greater capacity than the faulty disk that was removed. If the disk capacity is smaller, the audible alert sounds and the auto-rebuild operation doesn't start. For best performance, it is recommended that the new disk be identical to the failed disk.

---

- 6 Attach the disk to the disk tray with the screws that came with the disk.
- 7 Slide the disk tray back into the empty slot, then close the disk tray handle.
- 8 Lock the disk tray with the key.

# Replacing a Power Supply

The disk array system is equipped with a Power Supply Fail Indicator LED at the front of the unit that turns red when one of the power supplies fails. The message “Power x failure” also appears on the LCD panel, where x refers to power supply 1, or 2, and an audible alert sounds.

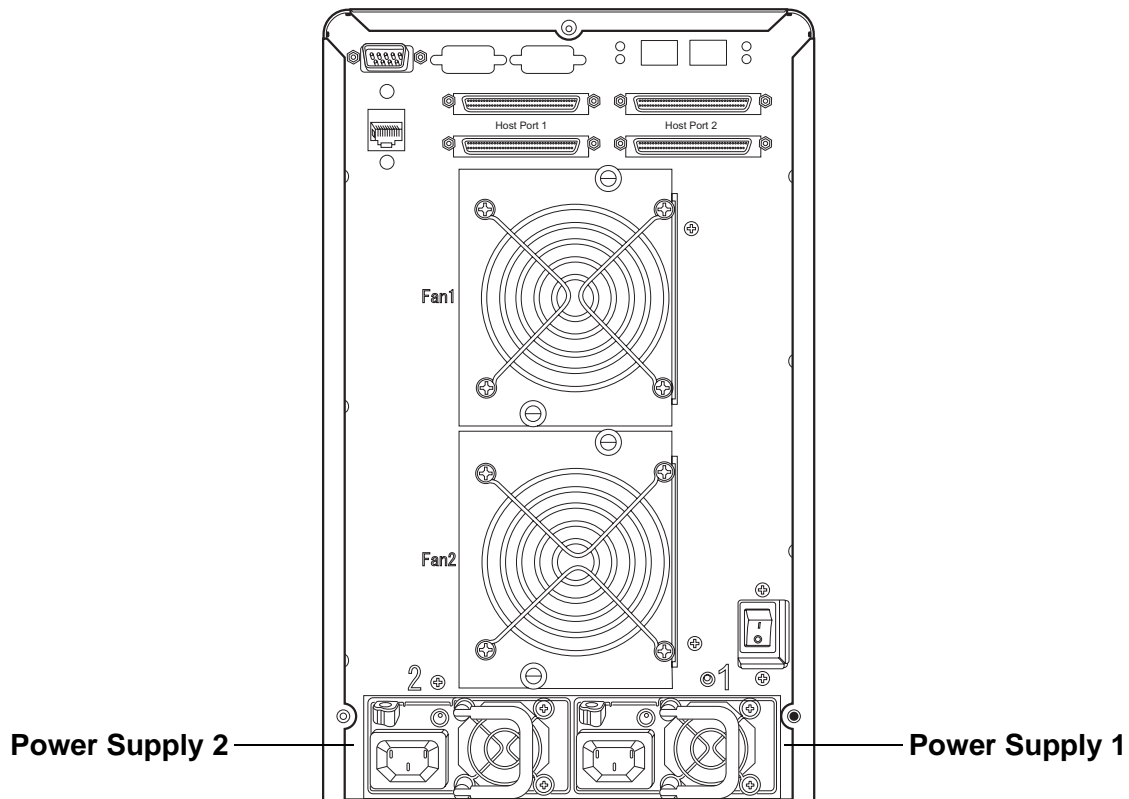


## Note

Turn off the audible alert by pressing the Up ↑ and Down ↓ buttons on the front panel twice simultaneously.

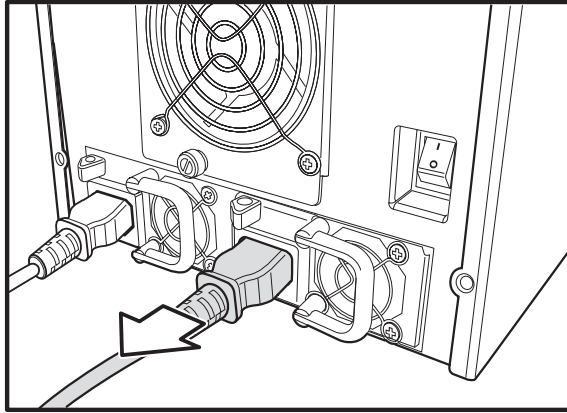
Power supplies are hot swappable, which means that they can be inserted and removed while the disk array is powered on and operating. Follow these steps to replace a failed power supply.

- 1 Identify the power supply that has failed.

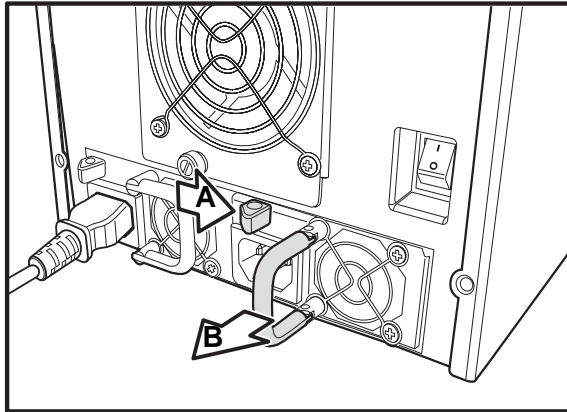




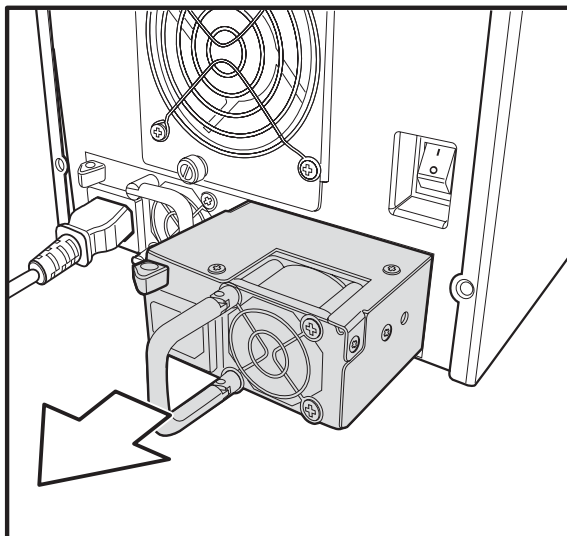
- 2 Unplug the power cable connected to the failed power supply unit.



- 3 Push the power supply release switch (A) in the direction illustrated and pull the power supply handle out (B) at the same time.

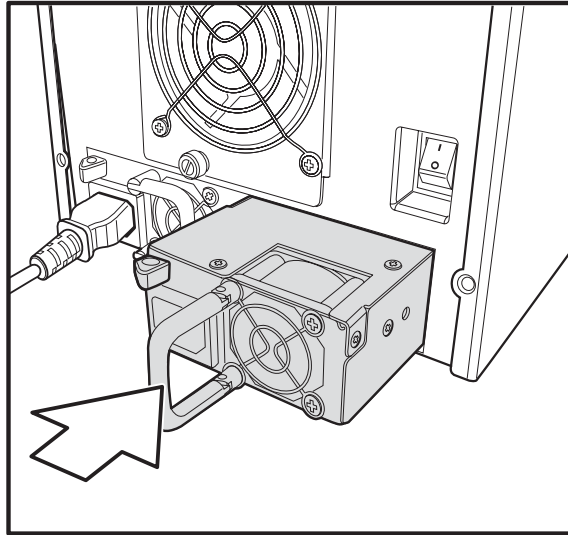


- 4 Remove the power supply unit.



## SA-3340S Serial ATA Disk Array Systems

- 5 Insert a new power supply unit in the empty power supply unit slot. The power supply automatically locks into position when fully inserted.

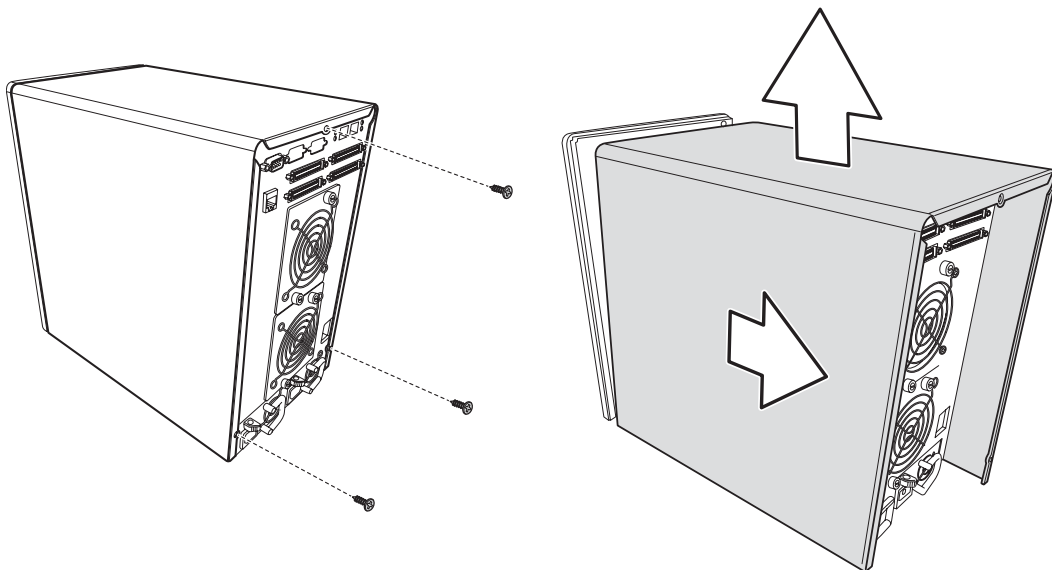


- 6 Reconnect the power cable.

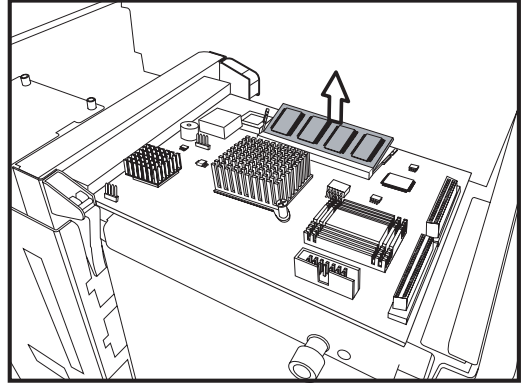
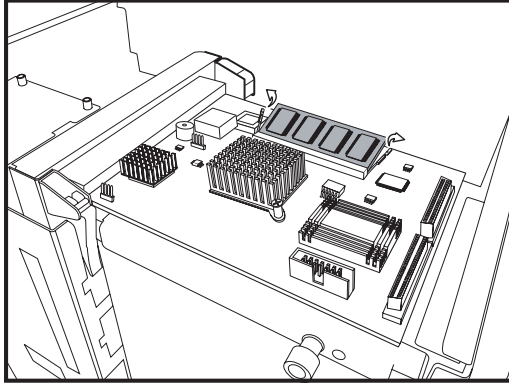
## Upgrading Memory

The disk array system takes a single 200 pin DIMM with a maximum capacity of 1 GB. Follow these instructions to upgrade the memory.

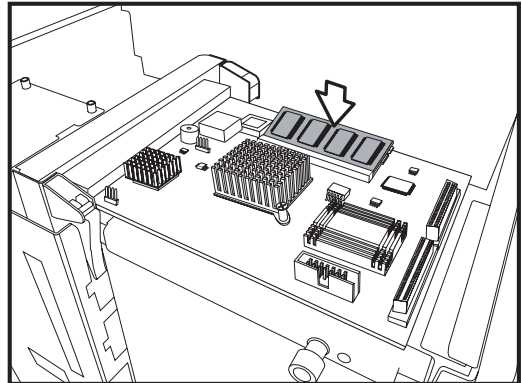
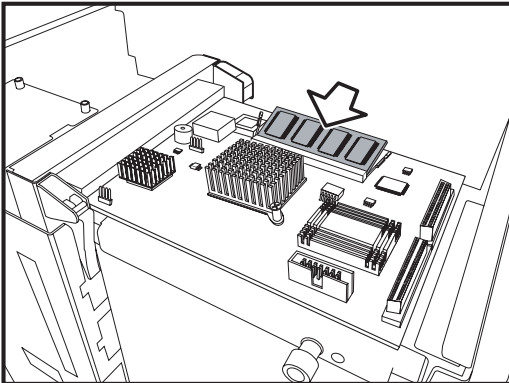
- 1 Remove the three screws from the disk array system cover, then slide the cover away from the front panel and lift it off.



- 2 Pull the DIMM retaining clips away from the DIMM, then remove the DIMM. The DIMM springs out of the socket.



- 3 Gently push the new DIMM into the socket at 45 degrees, then push the corners of the DIMM down. The DIMM is secured by the DIMM socket retaining clips.

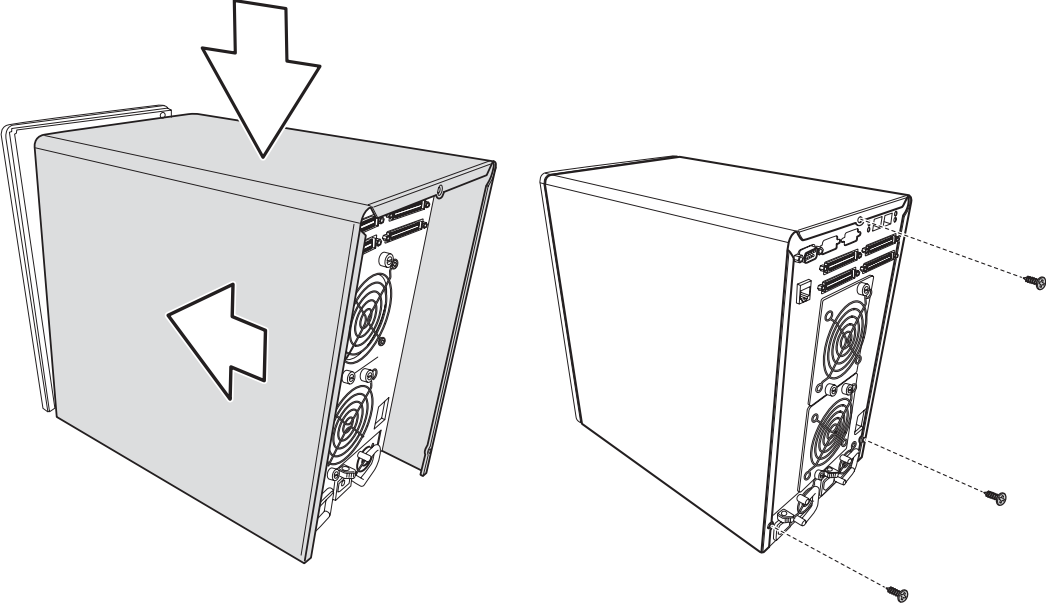


**Note**

The DIMM module will fit in only one direction. Do not force the DIMM into place.

**SA-3340S** Serial ATA Disk Array Systems

- 4 Place the top cover on the disk array system, slide it shut, then replace the three screws to fix the cover on the disk array system.



# Replacing a Fan

A fan failure is indicated by the LCD panel message “Fan x failure”, where x refers to Fan 1 or Fan 2. An audible alert also sounds.

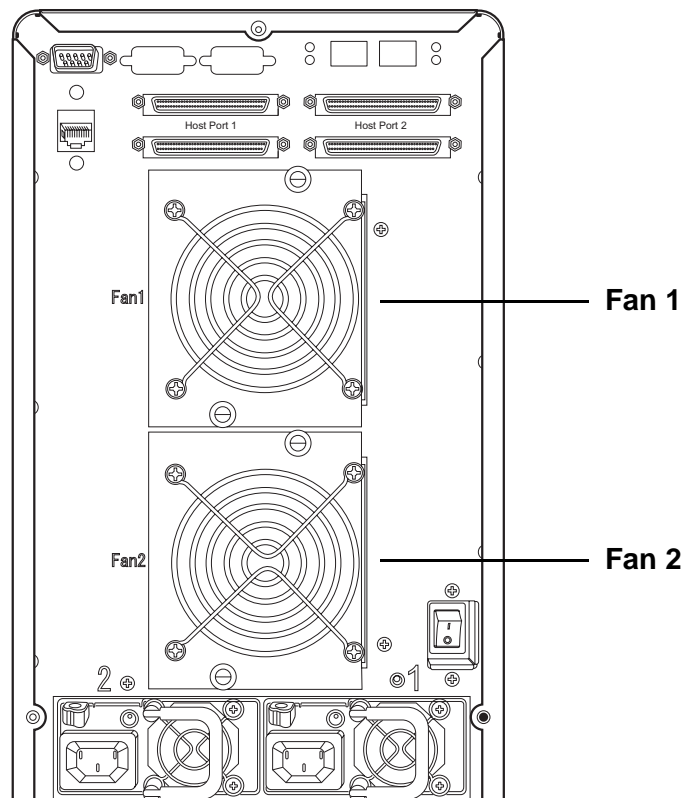


## Note

Turn off the audible alert by pressing the Up ↑ and Down ↓ function buttons on the front panel twice simultaneously.

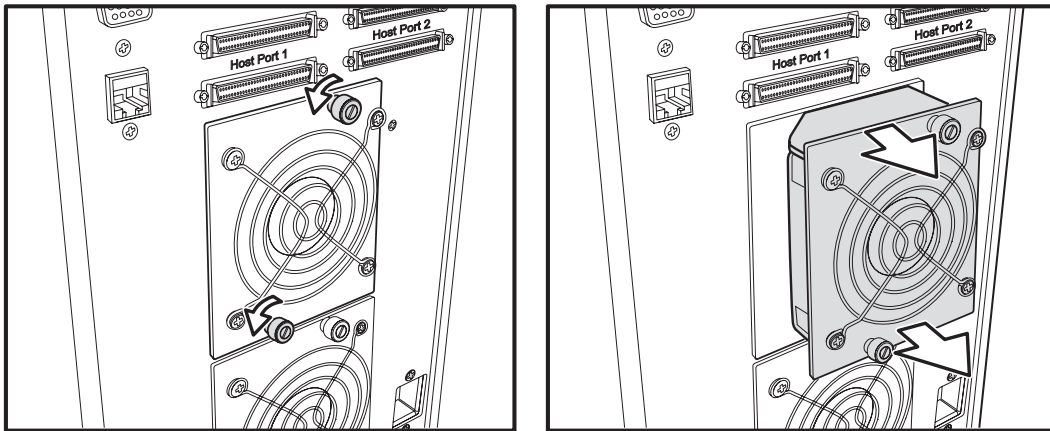
Follow these instructions to replace a failed fan.

- 1 Identify the fan that has failed.



## SA-3340S Serial ATA Disk Array Systems

- 2 Loosen the fan enclosure thumbscrews, then pull the fan enclosure out of the chassis.

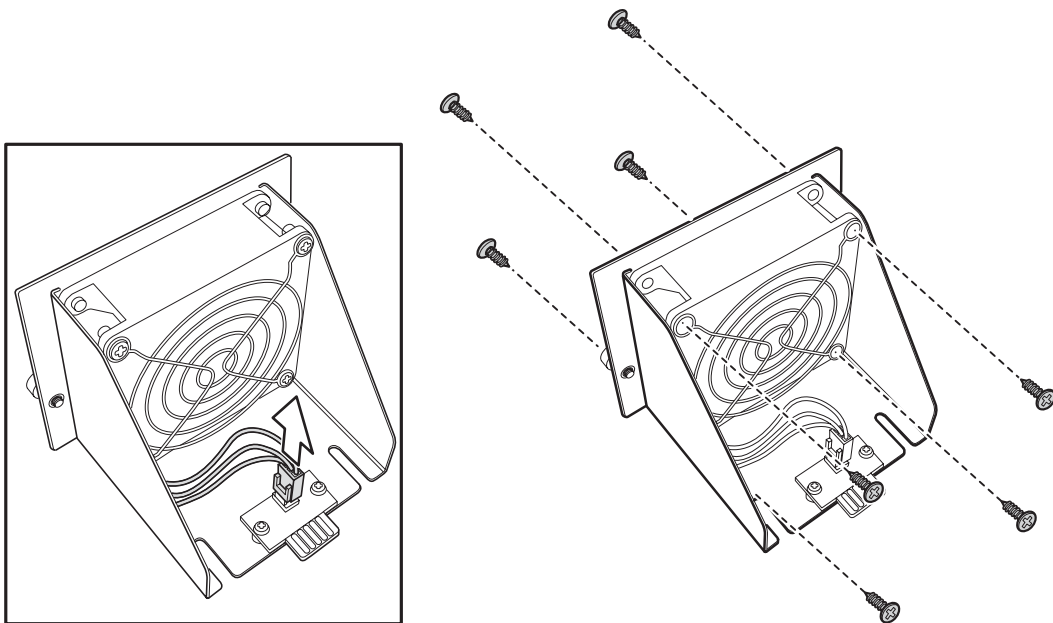


### Caution

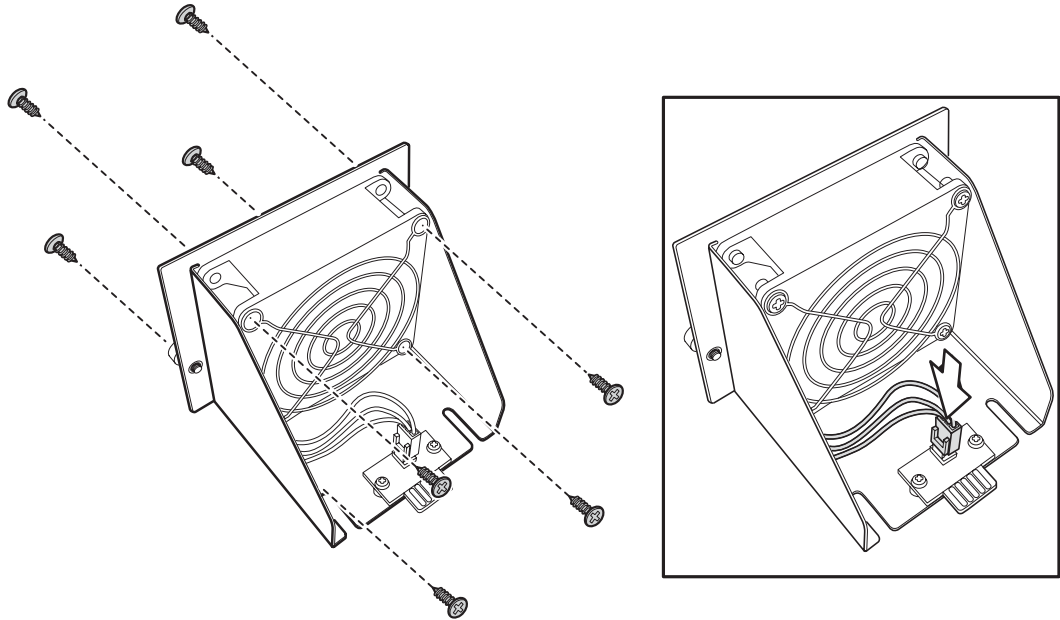


High speed rotating fan blades can cause injury. Wait until both fans have stopped completely before removing either of them.

- 3 Unplug the power connector, remove the screws, then remove the failed fan.



- Secure the new fan with the screws removed in the previous step, then insert the power connector.

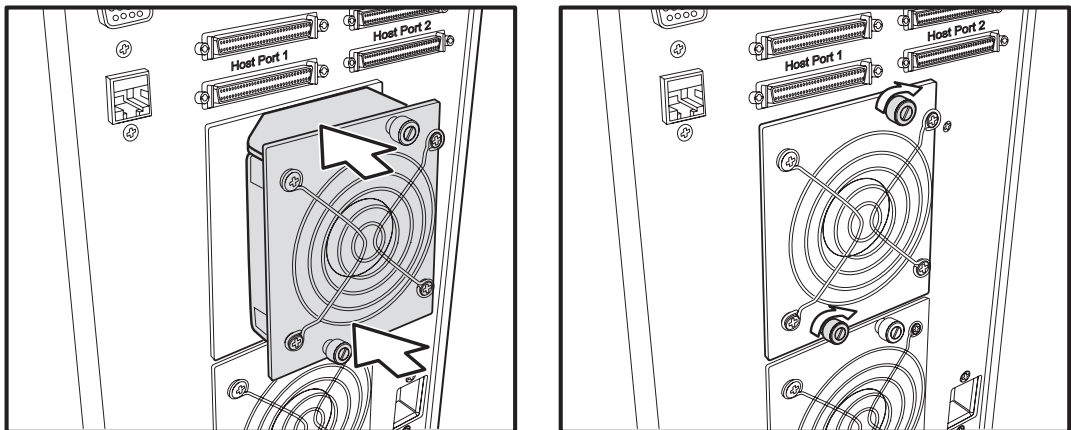


**Caution**



The fan will begin rotating immediately after it is plugged in. Keep your fingers away from the blades.

- Insert the fan enclosure into the chassis, then tighten the fan enclosure thumbscrews.







# Appendix

## Hardware Specifications

Item	Specification
Host Interface	SCSI Ultra320
Disk Interface	SATA II, 3.0 Gb/s
RAID Functions	<ul style="list-style-type: none"><li>• Raid levels: JBOD, 0, 1, 0+1, 3, 5, 30, 50, 6, TP, NRAID</li><li>• Hot spare support</li><li>• Disk hot swapping with automatic online rebuilding</li><li>• Multiple RAID (max. 8)</li></ul>
Disk Array Functions	<ul style="list-style-type: none"><li>• O/S independent and transparent</li><li>• Up to 1GB DDR SDRAM</li><li>• LCD panel operation indicator</li><li>• Audible alarm/disable alarm</li><li>• LED indicator on disk failures</li></ul>
Connectors	<ul style="list-style-type: none"><li>• 4 x Ultra320 SCSI ports(2 channels)</li><li>• 1 x RS-232 Serial port (115200, 8, N, 1)</li><li>• 1 x RJ-45 Ethernet port (10/100 Mbps)</li></ul>
Power Supply	<ul style="list-style-type: none"><li>• Redundant, 300 Watt</li><li>• 100 - 240 VAC, 47-63 Hz, 6~3A +/- 10%</li><li>• Over voltage, current, power, and short circuit protection</li><li>• LED indicates power status</li><li>• Operating temperature: 5°C ~ 40°C</li><li>• Operating humidity: 10 ~ 85% (non condensing)</li><li>• Output: +5V, +3.3V, +12V</li></ul>
Warranty	3 year warranty
Safety	UL, CE and FCC Class B

**SA-3340S** Serial ATA II Disk Array Systems

Item	Specification	
Controller	CPU	Intel i80331 64-bit RISC microprocessor
	Disk Interface	SATA II (3.0 Gb/s)
	Disk Channels	8 channels
	Memory Type	DDR-333 200-pin DIMM
	Memory Sockets	1
	Memory Size	Up to 1 GB
	Button Interface	Up, Down, Enter, and ESC
	Backplane Interface (connector)	Compact-PCI
	Temperature Sensors	2
Backplane	Disk Channel Support	8 channels
	Disk Number Supported	8 disks
	Disk Connector Type	Serial ATA II
	Temperature Sensors	5
	Power Connector Type	2 x Slot-2
	Fan Connector Type	4 x Slot-2