

SYLVANIA

ELECTRIC FIREPLACE HEATER

CAMERON

Model: SRM525-47BDC (CTC #64-3511)



SYLVANIA is a registered trademark of OSRAM SYLVANIA, used under license.

IMPORTANT:

Please note when you open the carton carefully check the unit and make sure there are no damages. If you have any problems with the unit, with how the various functions work or with hidden damages or missing parts, please call: **1-800-459-4409 (EST) for customer service.** **NOTE: DO NOT RETURN UNIT TO THE STORE BEFORE CALLING THE TOLL FREE NUMBER. Do not dispose of your packaging cartons until you are completely satisfied with your new fireplace heater. Read all instructions thoroughly before operating your new Electric Fireplace.**

NOTE: Light bulbs may become loose during shipping. If the flame effect is dim or does not work, please check that light bulb or bulbs are finger tight in socket. See instructions for replacing bulb or bulbs.

NOTE: The electric fireplace heater may emit a slight harmless odor when first turned on. This is caused by activating the internal heater components for the first time and should not occur again.

INSTRUCTION MANUAL

ATTENTION:

1. Find a location for the fireplace heater that is protected from direct sunlight.
2. Do not plug the unit into the power outlet before reading all instructions.

SAVE THESE INSTRUCTIONS FOR FUTURE USE.

IMPORTANT SAFETY INSTRUCTIONS

WHEN USING ELECTRICAL APPLIANCES, BASIC PRECAUTIONS SHOULD ALWAYS BE FOLLOWED TO REDUCE THE RISK OF FIRE, ELECTRIC SHOCK, AND INJURY TO PERSONS, INCLUDING THE FOLLOWING:

- 1) Read all instructions before using this electric fireplace heater.
- 2) This electric fireplace heater is hot when in use. To avoid burns, do not let bare skin touch hot surfaces. The grill directly in front of the heater outlet becomes hot during heater operation. Keep combustible materials, such as furniture, pillows, bedding, papers, clothes, and curtains at least 3 feet (0.9 m) away from the front of the unit and keep them away from the sides and rear.

- 3) Extreme caution is necessary when any heater is used by or near children or invalids and whenever the fireplace is left operating and unattended.
- 4) Always unplug fireplace when not in use.
- 5) Do not operate any electric fireplace if the cord or plug is damaged, or if the heater malfunctions, or if it has been dropped or damaged in any manner.
- 6) Do not use outdoors.
- 7) This electric fireplace heater is not intended for use in bathrooms, laundry areas and similar indoor locations. Never locate heater where it may fall into a bathtub or other water container.
- 8) Do not run cord under carpeting. Do not cover cord with throw rugs, runners, or similar coverings. Arrange cord away from traffic area and where it will not be tripped over.
- 9) To disconnect fireplace, turn controls to off, then remove plug from outlet.
- 10) Connect to properly grounded outlets only.
- 11) Do not insert or allow foreign objects to enter any ventilation or exhaust opening as this may cause an electric shock or fire, or damage the heater.
- 12) To prevent a possible fire, do not block air intakes or exhaust in any manner. Do not use on soft surfaces, like a bed, where openings may become blocked.
- 13) The heater has hot and arcing or sparking parts inside. Do not use it in areas where gasoline, paint, or flammable liquids are used or stored.
- 14) Use this fireplace heater only as described in this manual. Any other use not recommended by the manufacturer may cause fire, electric shock, or injury to persons.
- 15) Avoid the use of an extension cord because the extension cord may overheat and cause a risk of fire. If you must use an extension cord, the cord must be 14 AWG and have a minimum rating of 1875 watts.
- 16) Caution: Do not plug this product into a receptacle controlled by a wall switch or dimmer.
- 17) When storing or transporting the unit and cord, keep in a dry place, free from excessive vibration and store so as to avoid damage.

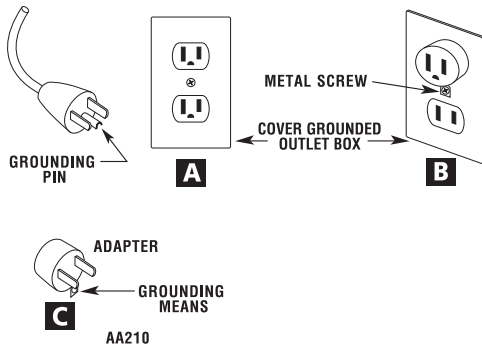
CAUTION:

IF YOU USE THIS HEATER IN CONJUNCTION WITH A THERMAL CONTROL, A PROGRAM CONTROLLER, A TIMER OR ANY OTHER DEVICE THAT SWITCHES THE HEATER ON AUTOMATICALLY, REMEMBER TO OBSERVE ALL SAFETY WARNINGS AT ALL TIMES. THE FIREPLACE HEATER HAS SAFETY OVERHEAT PROTECTION. IF THE OVERHEAT PROTECTION TRIPS, SWITCH OFF ALL SWITCH BUTTONS AND WAIT APPROXIMATELY 5 -10 MINUTES. IT SHOULD RESET AUTOMATICALLY ONCE THE UNIT COOLS DOWN.

WARNING:

Procedures and techniques if not carefully followed will result in damage to the equipment and will expose the user to the risk of serious injury, illness or death. This electric fireplace heater is for use on 120 volts. The cord features a three-prong plug as shown at "A" in illustration below. An adapter, as shown at "C", is available for connecting a three-prong grounded type plug to a two-slotted wall receptacle. The green grounding plug extending from the adapter must be connected to a permanent ground, such as a properly grounded outlet box. The adapter should not be used if a three-slot grounded receptacle is available.

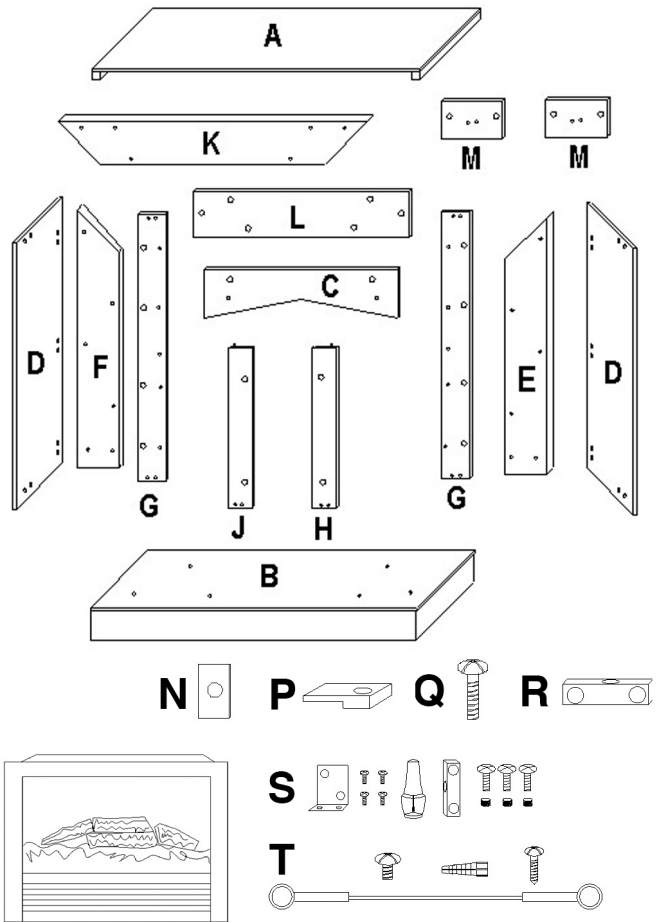
A 15 AMP circuit is required to operate this heater. If the breaker trips when the heater is used then you may need to move the heater to another location or unplug other appliances that are on the same circuit. If you require an extension cord use one that is rated at 1875 watts.



ASSEMBLY INSTRUCTIONS

PARTS LIST:

A) Top panel.....	1
B) Base panel.....	1
C) Upper front panel	1
D) Side panels.....	2
E) Left decorative panel.....	1
F) Right decorative panel.....	1
G) Front panels.....	2
H) Left small panel	1
J) Right small panel.....	1
K) Front decorative panel.....	1
L) Mid front panel.....	1
M) Wood connectors.....	1
N) Small brackets	2
P) Medium brackets	2
Q) KD screws.....	68
R) Plastic connectors.....	14
S) SELF REPAIR SET	
Touch-up repair paint (bottle)	1
L shape bracket.....	2
Screws for L bracket.....	8
Plastic Connector	1
KD Screws.....	3
KD Nuts.....	3
T) WALL ANCHOR SAFETY CABLE	
Wall Anchor.....	1
Screw for wall anchor	1
Screw for mantle.....	1
Safety cable	1



Tools required: Electric drill, drill bits 5/16 in (8 mm), hammer, Philips screwdriver, safety goggles and gloves (if necessary).

MANTLE AND INSERT ASSEMBLY:

WARNING: Make sure the fireplace INSERT controls are in the OFF position and the INSERT is NOT plugged in.

CAUTION: Place a piece of cardboard or protective sheet on the floor in order to avoid scratching the decorative surface of your mantle during assembly. Please DO NOT fully tighten the KD screws until all panels are assembled.

Step 1: Attach 10 plastic connectors [R] to Side panels [D] with 20 KD screws [Q]. See Fig. 1

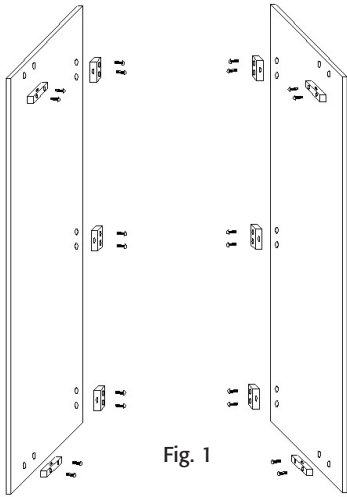


Fig. 1

NOTE: If the KD SCREWS do not fit during assembly, loosen the 2 screws to adjust the PLASTIC CONNECTOR until the parts/KD SCREWS can be installed.

Step 2: Attach Left Decorative Panel [E] to Side Panel [D] with 3 KD screws [Q]. Attach Right Decorative Panel [F] to Side Panel [D] with 3 KD screws [Q]. See Fig. 2

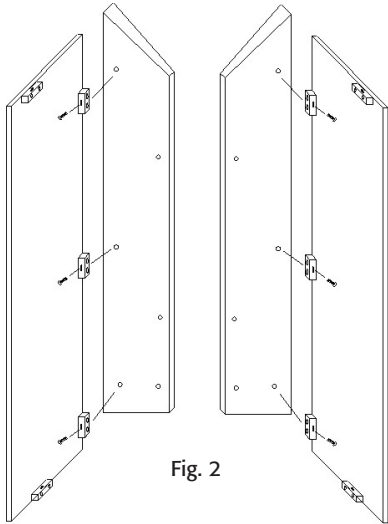


Fig. 2

Step 3: Attach 2 Plastic Connectors [R] to Front Panels [G] with 4 KD screws (2 screws for each connector). Attach Front Panels [G] to Left and Right Decorative Panels [E and F] with 6 KD screws [Q]. See Fig. 3

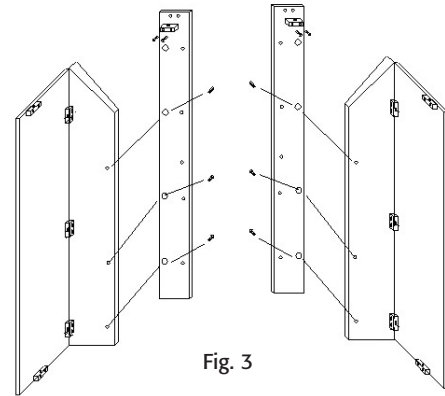


Fig. 3

Step 4: Attach 2 plastic connectors [R] to Left and Right Small Panels [H and J] with 4 KD screws (2 screws for each connector). Attach Left Small Panel [H] to Panels D, E and G with 2 KD screws. Attach Right Small Panel [J] to Panels D, F and G with 2 KD screws. See Fig. 4

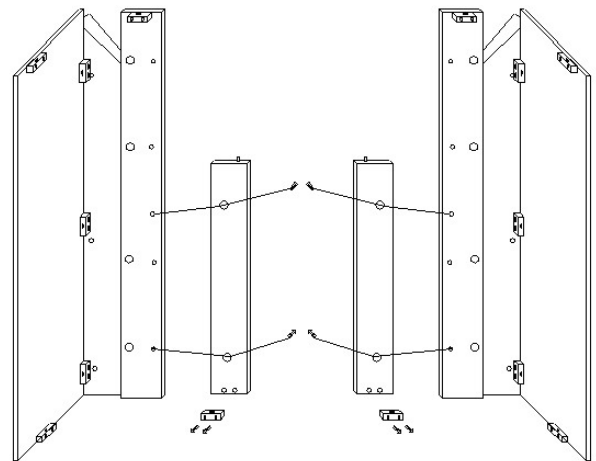


Fig. 4

Step 5: Attach Panels H, G, E and D to Base [B] with 2 KD screws. Attach Panels J, G, F and D to Base [B] with 2 KD screws. See Fig. 5

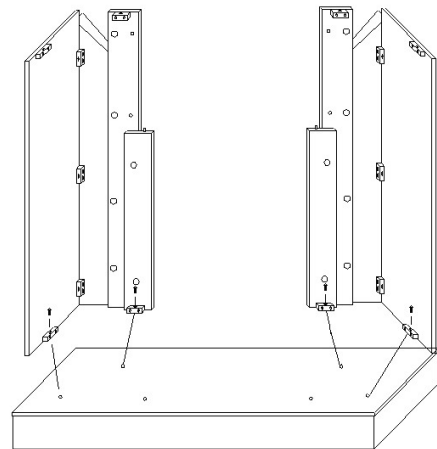


Fig. 5

Step 6: Attach 2 Wood Connectors [M] to Front Decorative Panel [K] with 4 KD screws. Attach Front Decorative panel [K] and wood connectors [M] to Front Panels with 2 KD screws. See Fig. 6

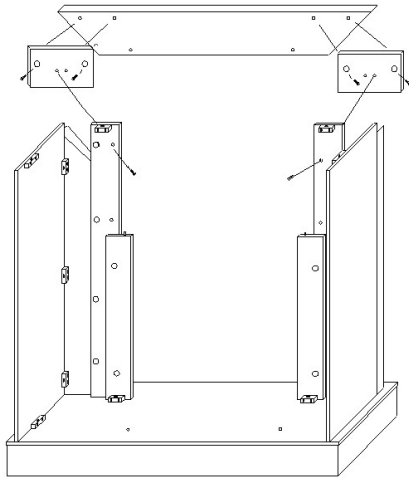


Fig. 6

Step 7: Attach Upper Front Panel [C] to Front Decorative Panel [K] with 2 KD screws. See Fig. 7

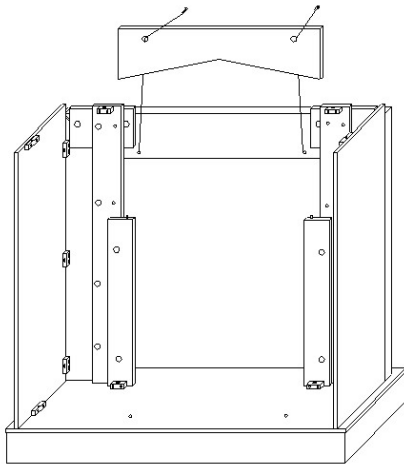


Fig. 7

Step 8: Attach Mid Front Panel [L] to Upper Front Panel [C] and Front Panels [G] with 4 KD screws. See Fig. 8

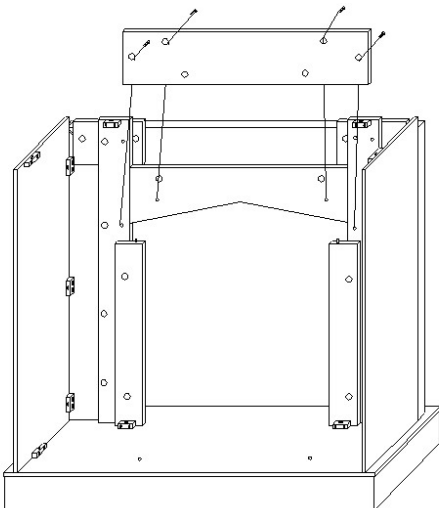


Fig. 8

Step 9: Install the TOP [A] to the unit as shown in Fig. 9 with 4 KD SCREWS [M]

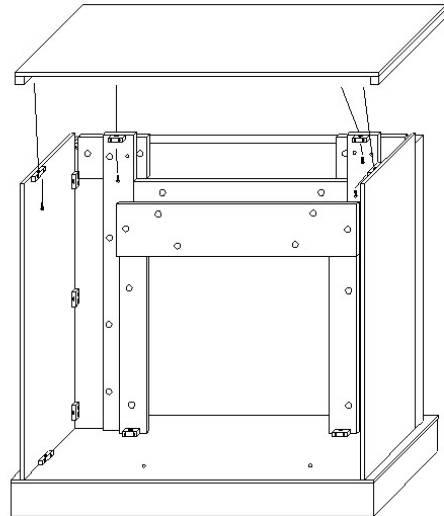


Fig. 9

Step 10: Tighten all SCREWS.

FIREPLACE INSERT INSTALLATION:

The fireplace insert can be installed after the mantel has been fully assembled.

WARNING: Make sure the fireplace insert controls are in the OFF position and the unit is NOT plugged in.

Step 1: Place the INSERT in back of the mantel on the floor. Carefully lift the INSERT into the mantel until the top stopper is against to MANTEL. See Fig. 10

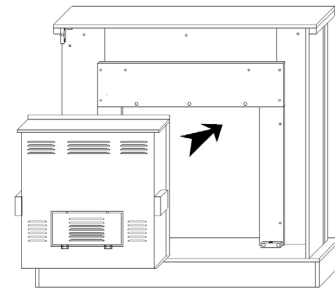


Fig. 10

Step 2: Attach 2 SMALL BRACKETS [N] on the top of insert and lock in place with 2 KD SCREWS [Q]. Attach 2 Medium Brackets [P] to the bottom of insert with 2 KD screws [Q]. See Fig. 11.

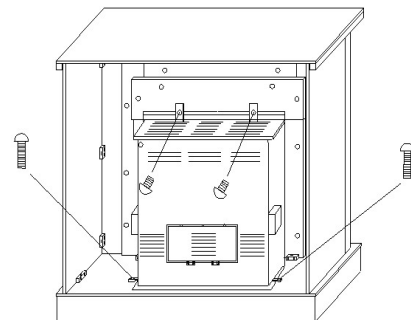


Fig. 11

Step 3: Tighten all SCREWS.

CAUTION: The Electric Fireplace Heater should not be positioned in an area that is exposed to direct sunlight.

WALL ANCHOR SAFETY CABLE

The use of WALL ANCHOR SAFETY CABLE is highly recommended in order to reduce the risk of the fireplace being tipped over accidentally. **WARNING:** This CABLE may reduce possible risk of injury if the fireplace is improperly handled, but is not a substitute for proper adult supervision. Children should not be left unattended near any heater.

1. Drill a 5/16" (8mm) hole in the wall. Insert the PLASTIC WALL ANCHOR into the hole and gently tap until the flange on the anchor is against the wall surface.
2. Position the back edge of the mantle close to the wall.
3. Attach the SAFETY CABLE to the mantle using the SCREW FOR MANTLE. See fig. 13
4. Use the SCREW FOR WALL to attach the other end of SAFETY CABLE to the wall.
5. Make sure all screws are tight.

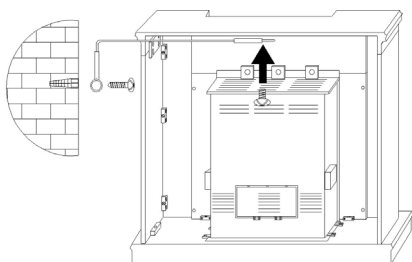
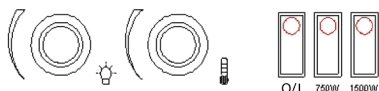
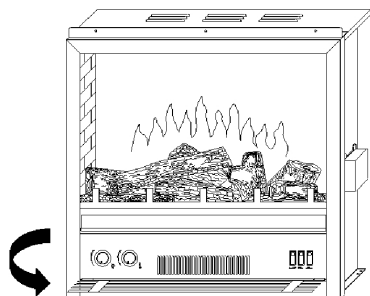


Fig. 13

After reading complete instructions, confirm all controls on fireplace are in the OFF position. Plug the fireplace into a 15AMP/120Volt outlet. If the cord does not reach, you may use an extension cord rated for a minimum of 1875 WATTS. Once the fireplace insert has been properly connected to a grounded electrical outlet, it is ready to operate.

OPERATION BY THE CONTROL PANEL

The controls are located behind the grill below the front glass and can be accessed by pulling the grill from the top, forward and down.



May not be as exactly as shown

O/I: Press this button for main power and flame effect. The indicator light will turn on. See below for other control switches.

750W: For low heat function - Press this switch while the **O/I** switch is in the on position for low heat. The indicator light will turn on.

1500W: For high heat function - Press this switch while the **O/I** switch and the 750W switch are in the on position for high heat. The indicator light will turn on.

Temperature Control: To adjust the temperature to your individual requirements, turn the temperature control dial to the right (clockwise) to increase the desired temperature and to the left for lower temperature. This temperature control dial can only be used while the **O/I** switch and 750W & 1500W switches are in the ON position. When the heater reaches the desired temperature, the heater and the 750W/1500W indicator light will turn OFF but the fan will continue to operate. Adjust this knob to restart the heater.

Dimmer Control Knob: Turn the dimmer dial clockwise or counter clockwise to get the desired flame intensity. The dimmer switch can only be used when the **O/I** switch is in the on position.

NOTE: When the **O/I** switch is turned off, all other heater functions will stop even though the switches may be in the on position.

NOTE: In order to shut down the heater safely, it is recommended to turn the Temperature Control knob to lowest setting and allow the heater to cool down before press the **O/I** switch to off position.

MAINTENANCE WARNING:

Disconnect power and unplug the power cord before attempting any maintenance or cleaning to reduce the risk of fire, electric shock or damage to persons. The bulbs in your unit can become extremely hot. Allow at least 10 minutes between turning off the unit and removing the light bulbs to avoid the accidental burning of the skin.

RISK OF FIRE: DO NOT EXCEED THE RECOMMENDED BULB WATTAGE.

REPLACING THE LIGHT BULBS

Step 1: Remove 14 screws on the back of fireplace and open the rear cover. There are 2 larger screws and 12 smaller screws.

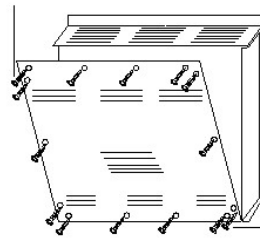
Step 2: You will find 1 X 40W Type B-10 bulb under log-set bed.

Step 3: Loosen and remove the burnt out bulb and replace with new bulb.

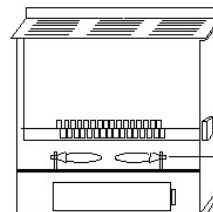
Step 4: Close the rear cover. Secure the 2 larger screws into the top left corner hole and bottom right corner holes as shown in the diagram. Secure the 12 smaller screws into the remaining holes. Make sure the screws are in the correct holes and have been tightened.

Step 5: Plug in the unit

Larger screw

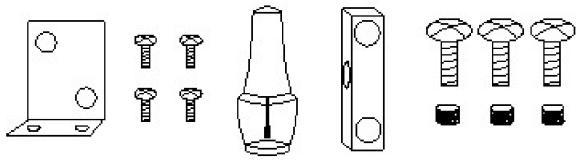


Larger screw



Bulbs

REPAIR SET



TOUCH-UP REPAIR PAINT

1. Paint directly on the mantel unit if necessary. Fig. A

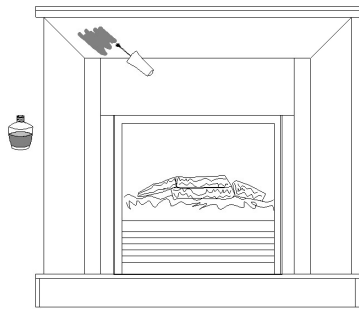


Fig. A

REPAIRS

If any problems are found with the original parts during mantel assembly such as the panels cannot be installed with the plastic connector. Try to solve by one of the following method.

Tools required: Electric drill, drill bits 3/4 inches (10 mm) or 1/16 inches (2 mm), Pencil, Hammer, Philips Screwdrivers, Safety Goggles and gloves (if necessary).

WARNING: Wear goggles before you start drilling.

OPTION 1:

Use the spare KD NUTS, KD SCREWS and PLASTIC CONNECTOR

1. Place the PLASTIC CONNECTOR on the mantel unit and mark the drill-holes as shown in Fig. B.

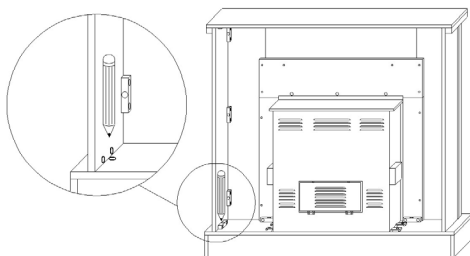


Fig. B

2. Drill the holes with diameter 3/4 inches (10 mm) and depth 3/4 inches (10mm) on the mantel. Each Plastic Connector needs 3 holes. See Fig. C.

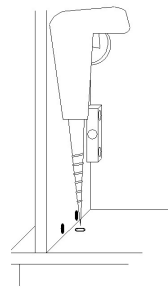


Fig. C

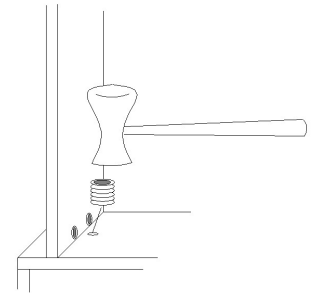


Fig. D

3. Gently install the KD NUTS into the drilled-holes with hammer as shown in Fig. D.
4. Attach the PLASTIC CONNECTOR and lock in place with KD SCREWS as shown in Fig. E.

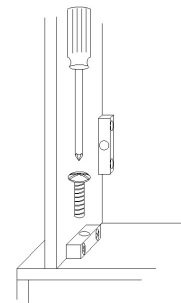


Fig. E

OPTION 2:

Use the SMALL L-BRACKETS and SCREWS

1. Place the SMALL L-BRACKET to the unit as shown and mark the drill-holes on the mantel as shown in Fig. F.

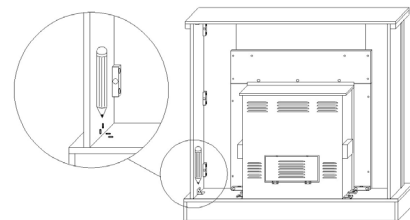


Fig. F

2. Drill the holes with diameter 1/16 inches (2 mm) and depth 5/16 inches (8mm) on the mantel. Each SMALL L-BRACKET needs 4 holes. See Fig. G.

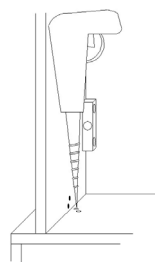


Fig. G

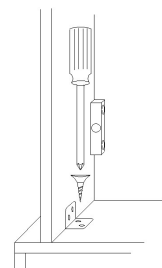


Fig. H

3. Attach the SMALL L-BRACKET and lock in place with SCREWS as shown in Fig. H

CLEANING

To clean unit first turn off controls on unit and unplug the unit from power source. To clean glass display panel; remove dust with clean dry cloth or to remove finger prints and other marks clean glass with clean damp cloth. Do not use abrasive cleaners or spray liquids on glass display panel surface. Metal and metal painted parts should be cleaned with damp cloth. Do not use abrasive cleaners or spray liquids on these surfaces.

WARRANTY

Every electric fireplace heater is tested before it leaves the factory and it is guaranteed for one year. If the unit should fail to operate correctly within one year from the date of purchase, call customer service at 1-800-459-4409 (EST). We will, at our discretion either repair or replace the unit. It will have to be returned to us freight prepaid and we will return the repaired or replaced unit to you freight prepaid. The company's sole obligation is to repair or replace the unit.

This warranty is void if in the opinion of Quality Craft the unit has been tampered with, altered, misused, damaged, abused or used with the wrong power source. Light bulbs and remote batteries are not covered by this warranty. The warranty is for homeowner use only and does not cover units used in commercial situations.

Imported by

Quality Craft

Laval, Quebec, Canada H7S 2G7

1-800-459-4409 (EST)

www.qualitycraft.com

Made in China

