

morphy richards®



Register online for your 2 year guarantee. See back of this instruction book for details. (UK and Ireland customers only)
www.morphyrichards.co.uk



intellidome™ Ironing system (pressurised)



Please read and keep these instructions

Getting the best from your new ironing system....

Safety first

Caution must be used when handling this appliance as it does get very hot. Always switch off the unit and allow to cool before cleaning or storing.

Water tank

The fixed water tank can be re-filled at any time during ironing.

Performance

To extend the performance and life of your IntelliDome generator, ensure that you replace the anti-scale filter according to the on-board indicator. Regularly remove any calcium build-up which may have accumulated in the boiler (see cleaning instructions).



To improve the life of your new product and to ensure the cleanliness of your clothes, we strongly recommend the use of distilled or demineralised water.



RN42236 MUK Rev 2

For competitions, product hints and tips and much more, join us online at our blog, Facebook or Twitter pages.



www.homeofthehouseproud.com



www.facebook.com/LoveYourHome



www.twitter.com/LoveYourIroning

If you have a problem or complaint, please call our dedicated UK based helpline before returning your product to the retailer from where it was purchased.



UK Helpline: 0844 871 0960
Replacement Parts: 0844 873 0726
Ireland Helpline: 1800 409 119



For details of other Morphy Richards products, plus replacement parts and accessories, please see our website:

www.morphyrichards.com



CONTENTS

IMPORTANT SAFETY INSTRUCTIONS	4-6
ELECTRICAL REQUIREMENTS	6
BEFORE USE	6
QUICK START GUIDE	7
COMPONENTS OF YOUR INTELLIDOME	8
CONTROL PANEL FEATURES	9
INSTRUCTIONS FOR USE: TEMPERATURE GUIDE	9
WATER MANAGEMENT	10
STEAM IRONING	11
DRY IRONING	12
WATER SPRAY	12
AUTO STANDBY DEVICE (SAFETY FEATURE)	13
DOUBLE ACTION LIMESCALE REDUCTION SYSTEM	13
FLUSHABLE BOILER FEATURE	14
ROUTINE MAINTENANCE	15
HELPLINE & WEBSITE	15
GUARANTEE	16

IMPORTANT SAFETY INSTRUCTIONS

- This appliance can be used by children aged from 8 years and above and persons with reduced physical, sensory or mental capabilities or lack of experience or knowledge, if they have been given supervision or instruction concerning use of the appliance in a safe way and understand the hazards involved. Children shall not play with the appliance. Cleaning and user maintenance shall not be made by children without supervision.
- Keep the steam generator and its cord out of reach of children less than 8 years of age when it is energized or cooling down.
- The steam generator must not be left unattended while it is connected to the supply mains.
- The plug must be removed from the socket-outlet before the water reservoir is filled with water.
- The steam generator must be used and rested on a stable surface.
- When placing the steam generator unit on the base or its heel, ensure that the surface on which the heel is placed is stable.
- The steam generator is not to be used if it has been dropped, if there are visible signs of damage or it is leaking.

The use of any electrical appliance requires the following common sense safety rules:

Primarily there is danger of injury or death and secondly the danger of damage to the appliance. These are indicated in the text by the following two conventions:

WARNING: Danger to the person!

IMPORTANT: Damage to the appliance!

In addition, we offer the following safety advice.

- **WARNING: To protect against the risk of electric shock, do not immerse the appliance in water or in any other liquid.**
- Do not leave the steam generator unattended whilst plugged in or on an ironing board. Never allow the mains lead to over hang the work surface.
- The mains socket should always be switched off before plugging or unplugging from the socket. Never yank the cord to disconnect from the socket, instead, grasp the plug and pull to disconnect.

Location

- Do not use outdoors.
- Locate the steam generator horizontally on the rest plate of your ironing board (if large enough) or on a heat resistant stand at the same height as your ironing board or below it. Always ensure the generator is on a firm level surface when ironing.
- **IMPORTANT:** Do not use the product on a surface which could be damaged by heat or steam such as a worktop or a polished wood surface.
- If in doubt, contact Morphy Richards.

Children

- Children do not understand the dangers associated with operating electrical appliances. Never allow children to use, or play with, this appliance.
- Close supervision is necessary when any appliance is used near children.

Personal Safety

- Do not use the vertical steam feature on clothes that are being worn.
- **WARNING: Burns can occur from touching hot metal parts, hot water or steam. Use caution when using your steam generator. If your iron is placed for a few moments on the iron rest plate, this plate may reach very high temperatures. In this instance, do not touch the iron soleplate or the iron rest plate until the iron and the iron rest have cooled down.**

Other safety considerations

- Use the steam generator only for its intended use.
- Never hold the steam generator under a tap.
- Always disconnect the steam generator from the electrical supply when cleaning or when not in use.
- If the supply cord is damaged, it must be replaced by the manufacturer, its service agent or similarly qualified person(s) in order to avoid a hazard.
- Do not operate the steam generator with a damaged cord or if the iron has been dropped or if there are visible signs of damage or if it is leaking. To avoid the risk of electric shock, do not disassemble the iron or steam generator, but telephone Morphy Richards for advice. Incorrect reassembly can cause a risk of electric shock when the steam generator is used.
- If the need arises to change the mains cable on your steam generator or the iron, please return to Morphy Richards service department at the address on the back page.
- **WARNING: Danger of scalding. Before attempting to clean the boiler, always leave for at least 2 hours.**



- **WARNING: Take care when opening the boiler for cleaning, as pressure may be released to the atmosphere. If this occurs, allow the pressure to release before removing the boiler access screw.**

Special instructions

- If your steam generator does not work, check the following points:

Has the iron temperature control been set to the required temperature? Is the plug in its socket? Is the plug itself or the socket faulty? (Check by plugging in another appliance).
- To prevent damage to the textile being ironed, follow the temperature guide carefully. (Test on the inside of the hem of the garment).
- If you drop or severely knock your steam generator, this could cause internal damage even if the outside appears alright. Have it checked by a qualified electrician.
- The temperature of accessible surfaces may be high when the appliance is operating.

ELECTRICAL REQUIREMENTS

Check that the voltage on the rating plate of your appliance corresponds with your house electricity supply which must be A.C. (Alternating current).

If the socket outlets in your home are not suitable for the plug supplied with this appliance, the plug should be removed and the appropriate one fitted.

WARNING: A damaged or severed mains cable fitted with a plug should never be connected to the mains supply. It must be destroyed, as a damaged cable becomes hazardous if connected to a power socket.

Should the fuse in the 13 amp plug require changing, a 13 amp BS1362 fuse must be fitted.

WARNING: This appliance must be earthed.

BEFORE USE

Remove any protective cover from the soleplate and the base unit, if any.

Unwind and straighten the supply cord **7** and mains cable **8**.

When ironing with the temperature set at 2-dot setting, the steam output should be set at the lower end of the steam range.

Textiles and clothes are supposed to carry ironing instructions. If they don't, you should follow the fabric guide on page 7, but be sure to test the temperature by ironing the hem of the garment or similar area first.

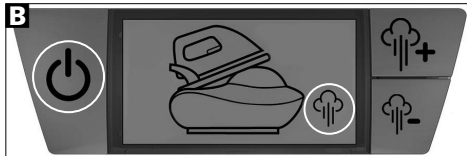
If you turn the control dial down from a hot setting to a cooler setting, wait until the iron temperature has stabilised before you continue ironing.

QUICK START GUIDE

- 1 Unpack the product and remove any additional packing materials as required.
- 2 Place the product onto a level surface or ironing board stand.
- 3 Make sure the anti-scale drawer **11** is fully closed.
- 4 Using the beaker provided **14** or suitable measuring jug, fill the water tank **6** to the full mark.
- 5 Set the iron control knob to 3-dot.
- 6 Connect the unit to the power supply, the LCD display screen illuminates for 1 second, a short beep is heard, then the LCD display screen will turn off. The product is now in STANDBY mode and the STANDBY ICON will be displayed in the corner of the LCD display screen **A**.



- 7 Press the POWER STANDBY button on the control panel and the unit will heat to the working temperature, the LOW STEAM ICON will flash whilst the heating cycle takes place and will remain illuminated when the boiler is ready to deliver steam **B**.

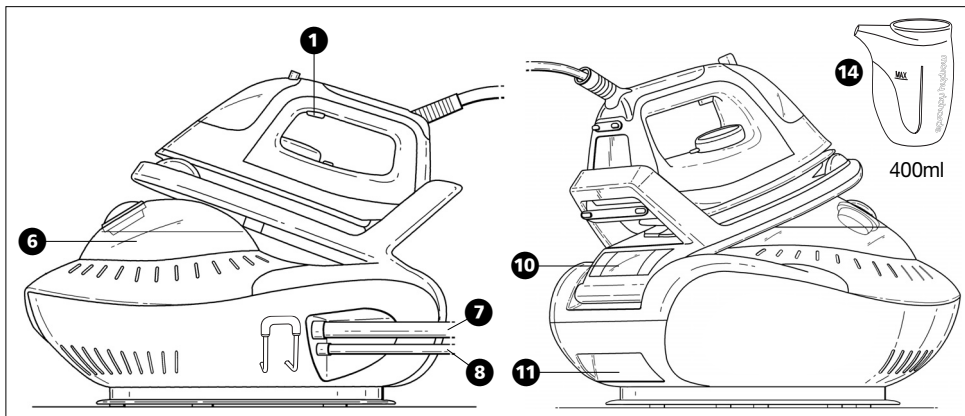
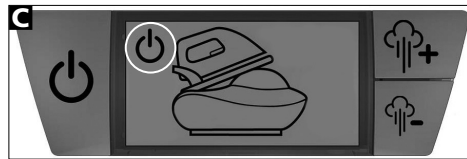


Note: At this time, the pump will fill the boiler with water. You will hear the pump operating, this is quite normal and will last for approximately 25 seconds.

- 8 Press the steam trigger **1** to deliver steam to the iron. Releasing the trigger will extinguish steam.
- 9 When ironing is complete, press the POWER STANDBY button on the control panel to end the session. The LCD icons will dim until the unit is disconnected from the mains supply, only then will the LCD switch off.
- 10 Allow the unit to cool, drain the water tank (see page 10), then store away.

AUTO STANDBY DEVICE (SAFETY FEATURE)

If the unit is not operated for approximately 15 minutes, it will revert to STANDBY mode and the POWER STANDBY ICON will flash in the LCD display screen **C**. To re-activate the unit, press the POWER STANDBY button or the steam trigger **1** and the unit will revert back to the previous setting.



For details of other Morphy Richards products, please see our website: www.morphyrichards.com

COMPONENTS OF YOUR INTELLIDOME

Iron unit

- 1 Steam trigger
- 2 Temperature indicator light
- 3 Temperature control knob

- 4 Soleplate

Base unit

- 5 Water tank filler cap
- 6 Water tank
- 7 Supply cord (steam)
- 8 Mains cable
- 9 Cable storage clip

- 10 Control panel

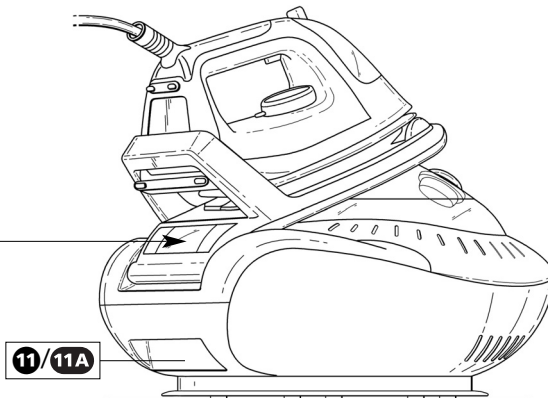
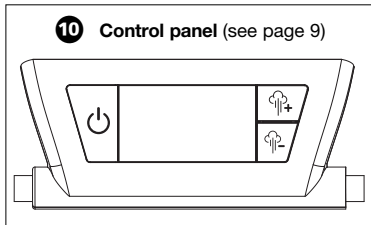
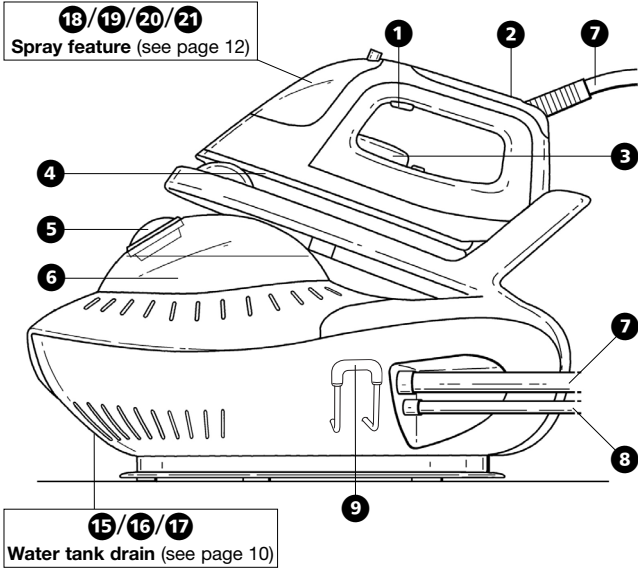
- 11 Anti-scale filter drawer

- 11A Filter cartridge (see page 13)

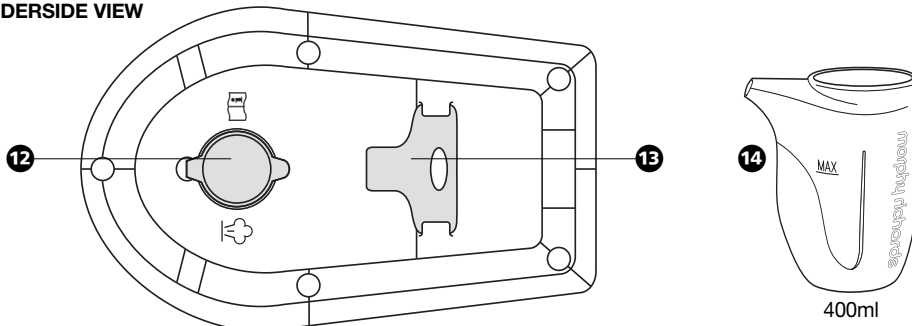
- 12 Boiler access screw and cover (cleaning only)

- 13 Boiler access tool

- 14 Filler cup

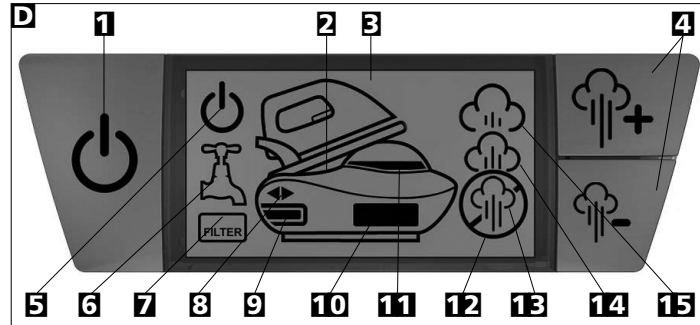


UNDERSIDE VIEW



CONTROL PANEL FEATURES 10




The control consists of an LCD display screen and 3 buttons: POWER STANDBY button **1** and STEAM SETTING +/- buttons **4**, as shown below **D**:



- | | |
|---|------------------------------------|
| 1 POWER STANDBY button | 9 Anti-scale drawer display |
| 2 Intellidome outline | 10 Boiler outline |
| 3 LCD display screen | 11 Low water display |
| 4 Steam level +/- | 12 No steam |
| 5 Standby mode | 13 Low steam level |
| 6 Clean boiler / fill boiler indicator | 14 Medium steam level |
| 7 Anti-scale filter | 15 High steam level |
| 8 Anti-scale filter alignment arrows | |

INSTRUCTIONS FOR USE

Temperature guide

Symbol	 (120°C Max) Cool	 (160°C Max) Warm	 (210°C Max) Hot	'Max setting'
Control knob positions	Do not iron at all ●	●●	●●●	
Fabric	Nylon, Acetates e.g. Acrilan Courtelle, Orlon	Wool, Polyester mixtures e.g. Polyester/Cotton Triacetates, e.g. Tricel/Polyester	Cotton, Linen Rayon, Rayon mixtures, e.g. Rayon/Linen	
Ironing	Iron on the wrong side, if moisture required use damp cloth (Not Acetate)		Fabrics requiring this setting usually require steam pressing for heavy cotton, denim etc.	
Steaming		← Low steam settings	High steam settings →	
Dry	←			→

For details of other Morphy Richards products, please see our website: www.morphyrichards.com

1. WATER MANAGEMENT

Filling

- 1 Place the steam generator on a stable ironing board or table, with the iron resting on its stand.
- 2 Open the filler cap at the front of the water tank and fill to the FILL TO HERE line using the filler cup 14 provided or a suitable jug.

WE RECOMMEND YOU USE DISTILLED OR DEMINERALISED WATER IN THIS UNIT.

Never use battery topping up fluid or water containing any substances like starch or sugar, or defrosted water from a refrigerator.

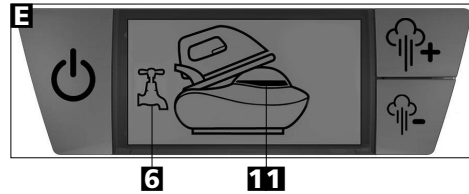
- 3 Always drain out any remaining water after use (see instructions below).

Re-filling 'in use'

- 1 Refilling can be done whilst the appliance is in operation. It is not necessary to wait for the appliance to cool down.
- 2 Open the filler cap at the front of the water tank and fill as necessary.

Low water cutout

The unit has an electronic system to monitor the water level. When the level is low, the LOW WATER ICONS 6/11 will flash and a beep will be heard for 10 seconds to warn the user to refill the tank. Once the unit has been filled, the LOW WATER ICONS will disappear.



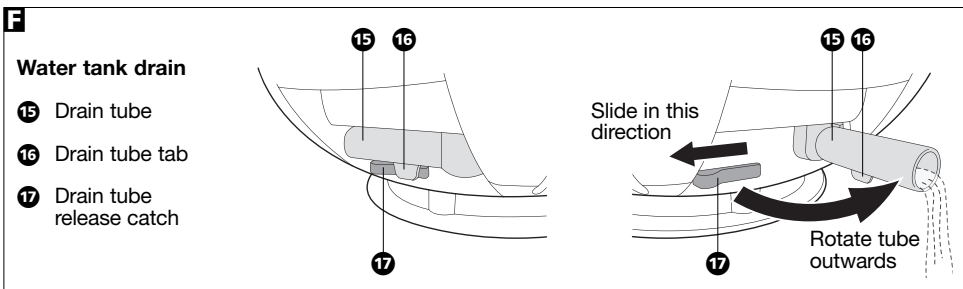
NOTE: When the LOW WATER WARNING ICONS activate, the boiler will still deliver steam for a short period then the unit will switch off, this action saves the unit from damage.

Draining the water tank

When ironing is complete, we advise you to empty any water left in the tank.

This model is fitted with a drain system situated at the front of the unit.

- 1 Disconnect the unit from the mains supply.
- 2 Place the unit on the sink drainer so water can run away safely.
- 3 Push back the drain release catch 17 and rotate the tube 15 outwards using the tab 16.
- 4 Water will now drain automatically.
- 5 Once the tank is empty, replace the tube making sure it clips in place.



2. STEAM IRONING

- 1 Unwind and straighten the supply and power cords (7 and 8).
- 2 Fill the water tank with clean tap water (see page 10).
- 3 Connect the unit to the mains supply.

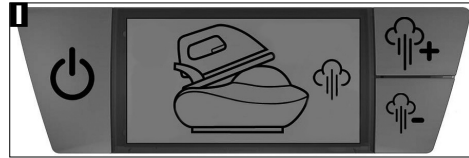
The LCD display screen (10) will illuminate for 1-second and be accompanied with a short beep sound, then the unit will turn off and will remain in STANDBY mode until re-activated. The STANDBY ICON is also visible in the corner of the display screen.

- 4 Press the POWER STANDBY button to activate the unit and set the iron temperature control dial on the iron to the 3-dot setting.

At this time, the pump will fill the boiler with water. You will hear the pump operating - this is quite normal. The filling sequence takes approximately 25 seconds.

The unit will heat and automatically default to the LOW STEAM level, the STEAM ICON will flash on the display screen and will remain permanently on when steam is available for ironing.

The AUTO STANDBY feature will activate if the iron is not used for 15 minutes. Press the POWER STANDBY button or steam trigger to reactivate the iron.



MEDIUM STEAM LEVEL



HIGH STEAM LEVEL

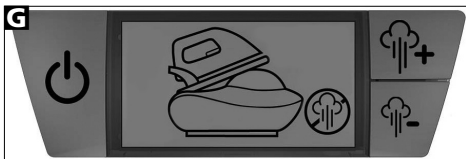
The STEAM ICON will flash until the unit reaches the selected temperature. Once the temperature has been reached, the STEAM ICON will remain lit.

When navigating through the steam settings, a SHORT BEEP will be heard for every operation of the STEAM SETTING +/- buttons a further LONGER BEEP will be heard once the unit has reached the selected setting.

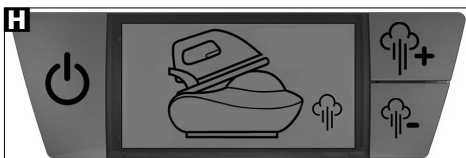
Note: During ironing, the pump will operate periodically to 'top up' the boiler with water. This is quite normal and lasts for a few seconds only.

Steam settings

To increase or decrease the steam setting, press the STEAM SETTING +/- buttons. These settings include:
 NO STEAM **G**,
 LOW STEAM LEVEL **H**,
 MEDIUM STEAM LEVEL **I**,
 and HIGH STEAM LEVEL **J**.



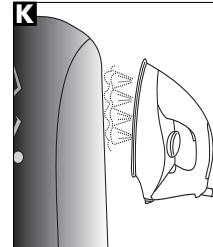
NO STEAM



LOW STEAM LEVEL

VERTICAL STEAM

Hold the iron in a vertical position between 1cm and 2cm away from the item **K**. Press the steam trigger (1), this will create vertical steam. This feature is especially useful for removing creases from hanging clothes, curtains, wall hangings etc.



STEAM FUNCTION

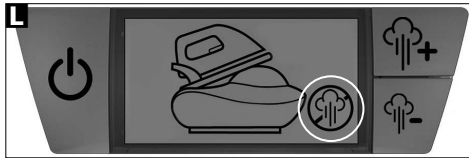
During the steaming process, small amounts of water may be ejected from the soleplate. This is normal and can be avoided by using the steam for short amounts of time and only when the iron is at the correct temperature (the indicator light on the iron goes out when ready).

Sudden jolts of the boiler unit can also cause water droplets on the soleplate; therefore, do not move the base unit during ironing. We recommend for the first time ironing that you iron over an old towel.

3. DRY IRONING

Always make sure there is water in the tank otherwise the LOW WATER indicator will activate.

- 1 Always make sure the water tank is quarter full, otherwise the LOW WATER INDICATOR ICON will activate.
- 2 Connect the unit to the mains supply.
- 3 The LCD display screen will illuminate for 1 second accompanied by a short beep sound, the unit will then turn off and will remain in STANDBY mode until re-activated. The STANDBY ICON will be visible in the corner of the display screen.
- 4 Press the POWER STANDBY button to activate the unit and set the iron temperature dial to the dot setting required.
- 5 Press the STEAM +/- buttons until the NO STEAM ICON is displayed on the LCD display screen **L**.



NO STEAM

- 6 Turn the temperature dial on the iron to the dot setting required.
- 7 The temperature indicator light on the iron will glow indicating the iron is heating.
- 8 When the required temperature is reached, the temperature indicator light will go out and the iron is now ready to use. It is always a good idea to begin with "cool fabrics" and work up to higher settings. An iron heats up quicker than it cools down so you'll save time and electricity.
- 9 The AUTO STANDBY feature will activate if the iron is not used for 15 minutes. Press the POWER STANDBY button or the iron steam trigger **1** to reactivate the unit.

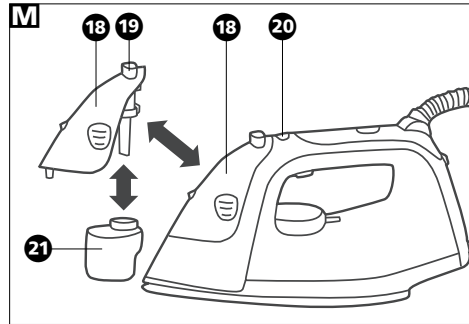
WATER SPRAY (certain models only)

Certain models are fitted with a water spray feature. Stubborn creases and excessively dry clothing can be softened by damping the material with water. This procedure means ironing can be achieved without applying excessive pressure.

Filling water spray tank

To fill the water spray tank with water, press the release button **20** and lift away the spray unit **18**.

Pull the tank **21** away from the spray unit in a downward direction, taking care not to damage the tank, and fill water to the 'Full' mark.



Water spray unit (certain models only)

- 18** Spray unit assembly
- 19** Spray button
- 20** Spray unit release button
- 21** 20ml spray bottle

Re-assembly

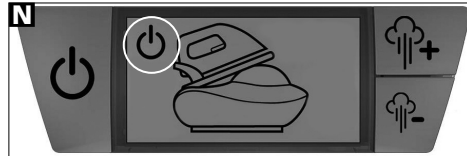
Attach the tank to the spray unit, taking care to align the parts correctly.

Locate the spray unit to the front of the iron and press it home until the unit locks into place.

Press the pump **19** a few times to purge the air from the system, when a fine mist of water is created, the unit is ready for use.

4. AUTO STANDBY DEVICE (SAFETY FEATURE)

If any of the function buttons are not operated for approximately 15 minutes, the unit will revert to STANDBY mode and the POWER STANDBY ICON will flash in the LCD display **N**. To re-activate the unit, press the POWER STANDBY button or the iron steam trigger **1** and the unit will revert back to the previous setting.



5. DOUBLE ACTION LIMESCALE REDUCTION SYSTEM

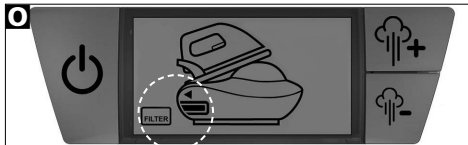
CHANGING THE FILTER

IMPORTANT: This procedure must be done when the unit is connected to the mains supply.

The anti-scale filter is designed to reduce the build-up of limescale which occurs during steam ironing, this will prolong the working life of your iron. However, please note that the anti-scale filter will not completely stop the natural process of limescale build-up.

When the anti-scale filter needs replacing, the FILTER ICONS will flash on the LCD screen **O** accompanied by a loud beep noise, when this occurs, continue ironing until complete then we suggest you change the filter.

Remove the filter drawer **11** to replace the filter cartridge **11A**. Please wait approximately 10 seconds before replacing the drawer to allow the onboard timer circuit to reset.



If the change filter instruction is ignored, the unit will still function, however the product life may be affected.

Incorrect filter installation

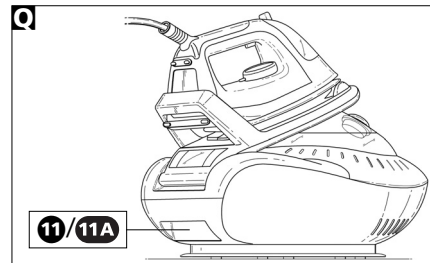
If the filter is installed incorrectly, the FILTER ICONS will illuminate **P**, accompanied by a LONGER BEEP.

Once the filter is aligned correctly, the icons will disappear.

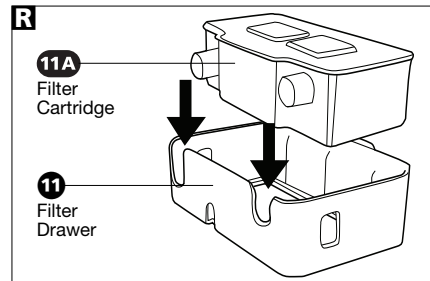


Replacing the filter

The filter cartridge **11A** is situated inside the filter drawer **11** below the LCD screen **O**.



To replace the filter, simply pull out the drawer and replace the filter **R**.



Replace the drawer making sure it is pushed firmly into position.

Replacement filters

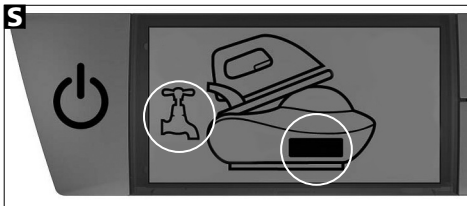
To obtain replacement filters, telephone our spares number on: **0844 873 0726**.

- If a new filter is not available, you may continue operating the appliance, but scale will build up in the system. Replace the filter as soon as possible. Part Number 01030.

FLUSHABLE BOILER FEATURE

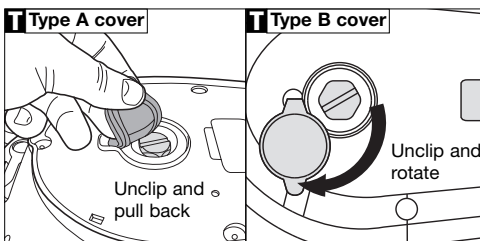
To extend the life of the product we recommend you periodically rinse out the boiler to remove any limescale build-up.

- When the boiler needs cleaning, the icons below will be displayed on the LCD screen **S**.

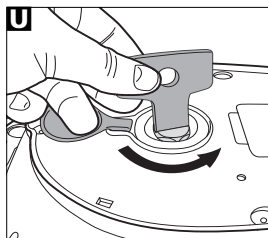


WARNING: Only clean the boiler when the unit is cold. If cleaning takes place after ironing, please allow 2 hours for the boiler to cool to ambient temperature.

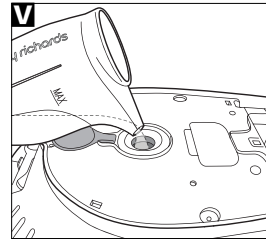
- When the CLEAN BOILER ICON is displayed on the LCD screen, finish ironing, drain the water tank (see tank drain instruction, pages 10) and leave the unit for a few hours until cold.
- Stand the steam generator close to the sink drainer. Ensure all water is drained from the water tank (see page 10).
- Remove the iron from its rest.
- Turn the base unit upside down and unclip the cover to expose the boiler access screw **12** **T**. **Type A cover** folds back to expose the boiler access screw, **type B cover** rotates to the side.



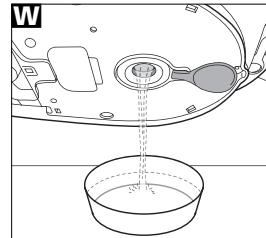
- Use the tool **13** provided to remove the screw in an anti-clockwise direction **U**.



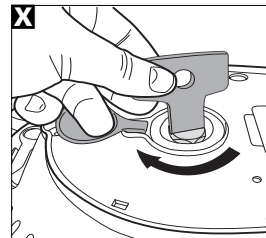
- Fill the filler cup to the MAX mark with ordinary tap water and pour this through the access hole into the boiler **V**.



- Move the base unit back and forth a few times then pour the water out into the sink or container **W**.



- Repeat this procedure a number of times until the water is clean and clear, **making sure all water is removed**.
- Replace the boiler access screw using the tool provided but do not use excessive force **X**.



- Reposition the cover and place the tool in the space provided, ensuring it is securely clipped into place.

The cleaning procedure is now complete.

ROUTINE MAINTENANCE

Soleplate cleaning

To clean a stainless steel soleplate

To keep the soleplate of your iron clean and free of limescale, we recommend that you use one of the gentle chrome, silver or stainless steel cleaners that are generally available. Always follow the manufacturer's instructions. To clean off melted man-made fibres, set the iron at 3-dot position and pass it over a clean piece of cotton which will draw the deposit off the surface.

To clean a coated soleplate

In the unlikely event of any man-made fibre fusing to the soleplate, set the iron at the 3-dot position and pass it over a clean piece of cotton, this will draw the deposit off the surface.

Do not use scouring powder or solution, as this could cause damage to the coating.

To clean the exterior

Allow the steam generator to cool and wipe over with a damp cloth and mild detergent, then wipe with a dry cloth.

HELPLINE

If you have any difficulty with your appliance, do not hesitate to call us.

We are more likely to be able to help than the store from where you bought it.

Please have the following information ready to enable our staff to deal with your query quickly.

- Name of the product
- Model number as shown on the underside of the appliance.
- Serial number as shown on underside of the appliance.

UK Helpline **0844 871 0960**

Replacement Parts **0844 873 0726**

Ireland Helpline **1800 409 119**

WEBSITE

You may also contact us through our website, or visit the site to browse and purchase appliances, spare parts and accessories from the extensive Morphy Richards range.

www.morphyrichards.com

REGISTERING YOUR TWO YEAR GUARANTEE

Your standard one year guarantee is extended for an additional 12 months when you register the product within 28 days of purchase with Morphy Richards. If you do not register the product with Morphy Richards within 28 days, your product is guaranteed for 1 year. To validate your 2 year guarantee register with us online at www.morphyrichards.co.uk

N.B. Each qualifying product needs to be registered with Morphy Richards individually.

Please note that the 2 year guarantee is only available in the UK and Ireland. Please refer to the one year guarantee for more information.

YOUR ONE YEAR GUARANTEE

It is important to retain the retailer's receipt as proof of purchase. Staple your receipt to this back cover for future reference.

Please quote the following information if the product develops a fault. These numbers can be found on the base of the product.

Model no.

Serial no.

All Morphy Richards products are individually tested before leaving the factory. In the unlikely event of any appliance proving to be faulty within 28 days of purchase, it should be returned to the place of purchase for it to be replaced.

Morphy Richards products are intended for household use only.

Morphy Richards has a policy of continuous improvement in product quality and design. The company therefore, reserves the right to change the specification of its models at any time.

If the fault develops after 28 days and within 12 months of original purchase, you should contact the Helpline number quoting Model number and Serial number on the product, or write to Morphy Richards at the address shown.

You may be asked to return a copy of proof of purchase.

Subject to the exclusions set out below (see Exclusions), the faulty appliance will then be repaired or replaced and dispatched usually within 7 working days of receipt.

If, for any reason, this item is replaced during the 1 year guarantee period, the guarantee on the new item will be calculated from original purchase date. Therefore it is vital to retain your original till receipt or invoice to indicate the date of initial purchase.

To qualify for the 1 year guarantee, the appliance must have been used according to the instructions supplied. For example, filters should have been emptied regularly.

3 Repairs have been attempted by persons other than our service staff (or authorised dealer).

4 The appliance has been used for hire purposes or non domestic use.

5 The appliance is second hand.

6 Morphy Richards are not liable to carry out any type of servicing work, under the guarantee.

7 Plastic filters for all Morphy Richards kettles and coffee makers are not covered by the guarantee.

8 Batteries and damage from leakage are not covered by the guarantee.

- This guarantee does not confer any rights other than those expressly set out above and does not cover any claims for consequential loss or damage. This guarantee is offered as an additional benefit and does not affect your statutory rights as a consumer.



For electrical products sold within the European Community. At the end of the electrical products useful life, it should not be disposed of with household waste. Please recycle where facilities exist. Check with your Local Authority or retailer for recycling advice in your country.

EXCLUSIONS

Morphy Richards shall not be liable to replace or repair the goods under the terms of the guarantee where:

- The fault has been caused or is attributable to accidental use, misuse, negligent use or used contrary to the manufacturer's recommendations or where the fault has been caused by power surges or damage caused in transit.
- The appliance has been used on a voltage supply other than that stamped on the products.

morphy richards®

**The After Sales Division
Morphy Richards Ltd**
Mexborough, South Yorkshire,
England, S64 8AJ

Helplines (office hours)
UK 0844 871 0960
Spare Parts 0844 873 0726
Republic of Ireland 1800 409 119

RN42236 MUK Rev 2 10/10

For details of other Morphy Richards products, plus replacement parts and accessories, please see our website:

www.morphyrichards.com