

TM-U200 Series (Type A)

Operator's Manual

Using this online operator's guide

The words on the left side of this screen are bookmarks for all the topics in this guide.

Use the scroll bar next to the bookmarks to find any topic you want. Click a bookmark to instantly jump to its topic. (If you wish, you can increase the size of the bookmark area by dragging the dividing bar to the right.)

Use the scroll bar on the right side of this screen to move through the text.



Use the zoom tools to magnify or reduce the page display.



Click the Find button if you want to search for a particular term. (However, using the bookmarks is usually quicker.)

Complete online documentation for Acrobat Reader is located in the Help directory for Acrobat Reader.

[Return to main menu](#)

TM-U200 Series

(Type A)

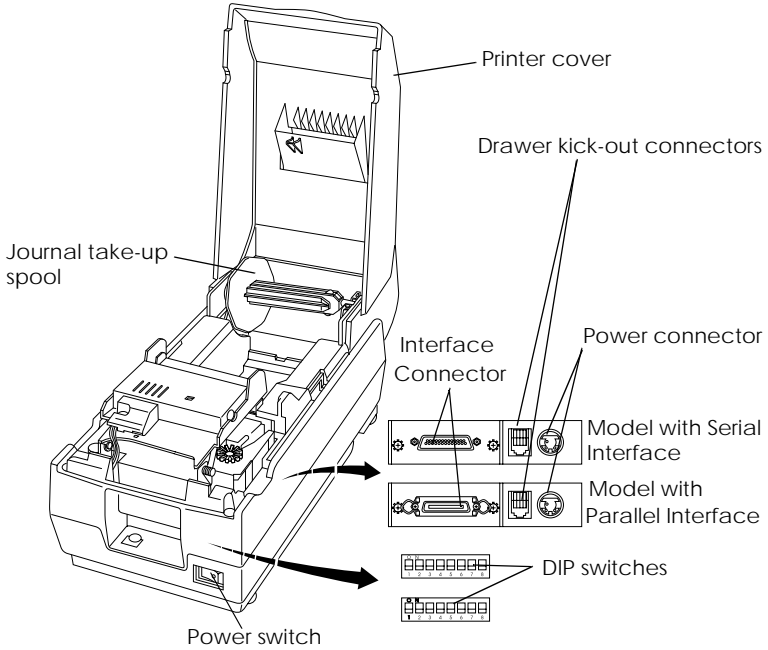
Operator's Manual



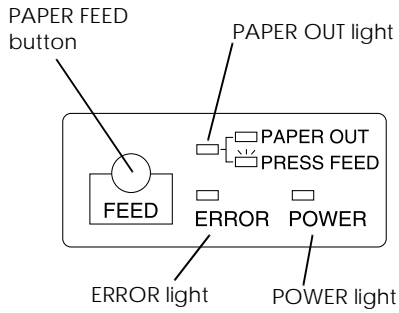
Note:

Everything in this manual applies to the TM-U210 printer.

Printer parts and Labels



Control panel



Caution Labels



CAUTION:

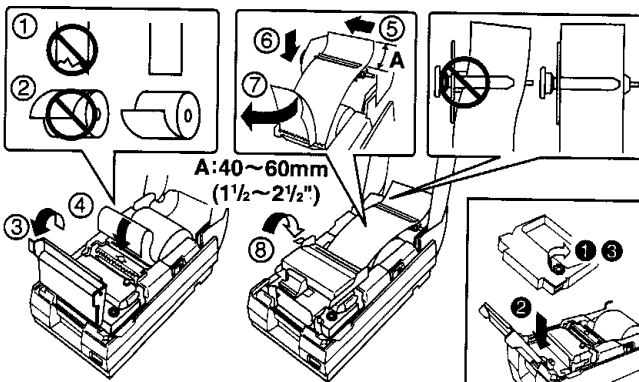
Head cover and printer head are hot.



CAUTION:

Caution label for drawer kick-out.

Instruction Label



All rights reserved. No part of this publication may be reproduced, stored in a retrieval system, or transmitted in any form or by any means, mechanical, photocopying, recording, or otherwise, without the prior written permission of Seiko Epson Corporation. No patent liability is assumed with respect to the use of the information contained herein. While every precaution has been taken in the preparation of this book, Seiko Epson Corporation assumes no responsibility for errors or omissions. Neither is any liability assumed for damages resulting from the use of the information contained herein.

Neither Seiko Epson Corporation nor its affiliates shall be liable to the purchaser of this product or third parties for damages, losses, costs, or expenses incurred by purchaser or third parties as a result of: accident, misuse, or abuse of this product or unauthorized modifications, repairs, or alterations to this product, or (excluding the U.S.) failure to strictly comply with Seiko Epson Corporation's operating and maintenance instructions.

Seiko Epson Corporation shall not be liable against any damages or problems arising from the use of any options or any consumable products other than those designated as Original Epson Products or Epson Approved Products by Seiko Epson Corporation.

EPSON is a registered trademark of Seiko Epson Corporation.
ESC/POS is a registered trademark of Seiko Epson Corporation.

NOTICE: The contents of this manual are subject to change without notice.

Copyright © 1998 by Seiko Epson Corporation, Nagano, Japan.

FCC CLASS A

FCC Compliance Statement

For American Users

This equipment has been tested and found to comply with the limits for a Class A digital device, pursuant to Part 15 of the FCC Rules. These limits are designed to provide reasonable protection against harmful interference when the equipment is operated in a commercial environment.

This equipment generates, uses, and can radiate radio frequency energy and, if not installed and used in accordance with the instruction manual, may cause harmful interference to radio communications. Operation of this equipment in a residential area is likely to cause harmful interference, in which case the user will be required to correct the interference at his own expense.

WARNING

The connection of a non-shielded printer interface cable to this printer will invalidate the FCC Verification of this device and may cause interference levels which exceed the limits established by the FCC for this equipment.

You are cautioned that changes or modifications not expressly approved by the party responsible for compliance could void your authority to operate the equipment.

FOR CANADIAN USERS

This Class [*] digital apparatus complies with Canadian ICES-003.

Cet appareil numérique de la classe [*] est conforme à la norme NMB-003 du Canada.

GERÄUSCHPEGEL

Gemäß der Dritten Verordnung zum Gerätesicherheitsgesetz (Maschinenlärminformations- Verordnung-3. GSGV) ist der arbeitsplatzbezogene Geräusch-Emissionswert kleiner als 70 dB(A) (basierend auf ISO 7779).

DECLARATION OF CONFORMITY

Product Name: Printer

Model Name: M119A

This printer conforms to the following Directives and Norms:

Directive 89/336/EEC

EN 55022 (1987 and 1994 2nd/1995) Class B

EN 50082-1 (1992)

IEC 801-2 (1991)

IEC 801-3 (1984)

IEC 801-4 (1988)

Directive 90/384/EEC

EN45501: (1992)

Introduction

Features

The TM-U200 Series Type A printer is one-station printer for ECR and POS use that can print the results of weighing or measuring.

TM-U200 Series (Type A) has the following 2 types.

- Two-color with a serial interface
- Two-color with a parallel interface

The main features of the TM-U200 Series Type A printer are the following:

- High-speed printing through logic-seeking control
- Excellent reliability and long life due to use of two stepping motors, one for moving the carriage and one for paper feeding
- Flexible paper feed setting permits printing in accordance with any user-defined format
- Command protocol based on ESC/POS ,[®] a widely used standard
- Built-in drawer kick-out interface provides capability to drive two drawers
- Selectable character fonts (7 x 9, 9 x 9)
- Semi-automatic paper loading capability
- AC adapter provides compact power supply
- Compact and light in weight
- Automatic Status Back (ASB) function to automatically send printer status changes
- Auto cutter is installed
- Journal take-up spool is installed
- Bidirectional parallel interface in accordance with the IEEE 1284 Nibble/Byte Modes
- Two-color printing (black and red)

About This Manual

Setting Up and Using

- ❑ **Chapter 1** contains information on unpacking the printer, setting it up, running the self test, and setting the DIP switches.
- ❑ **Chapter 2** contains information on using the printer.
- ❑ **Chapter 3** contains troubleshooting information.

Reference

- ❑ **Chapter 4** contains specifications.

Notes, Cautions, and Warnings

**Note:**

Notes have important information and useful tips on the operation of your printer.

**CAUTION:**

Cautions must be observed to avoid minor injury to yourself or damage to your equipment.

**WARNING:**

Warnings must be followed carefully to avoid serious bodily injury.

Contents

Chapter 1 *Setting Up the Printer*

Unpacking	1-1
Selecting the Place	1-1
Attaching the Paper Roll Near-End Detector (Option)	1-2
Connecting the Printer to the Computer	1-5
Serial Interface	1-5
Parallel Interface	1-6
Connecting the Printer to the Drawer	1-6
Grounding the Printer	1-9
Connecting the Power Supply	1-10
Installing the Ribbon Cassette	1-12
Installing the Paper Roll	1-15
Running the Self Test	1-20
Setting the DIP Switches	1-21
Using the Power Switch Cover	1-25
Affixing the Fastening Tape (Option)	1-26

Chapter 2 *Using the Printer*

Operating the Control Panel	2-1
Switch	2-1
Button	2-1
Indicator lights	2-2

Chapter 3 *Troubleshooting*

Troubleshooting	3-1
General Problems	3-1
Printing Problems	3-1
Removing Jammed Paper	3-3
Hexadecimal Dump	3-7

Chapter 4 *Reference Information*

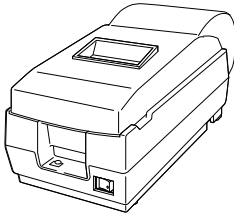
Printing Specifications	4-1
Character Specifications	4-2
Paper Specifications	4-3
Electrical Specifications	4-5
Safety and EMI Standards Applied	4-5
Reliability	4-6
Environmental Conditions	4-7
Interface Specifications	4-8
Drawer Kick-out Specifications	4-8

Chapter 1

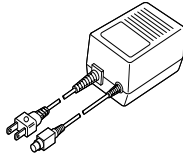
Setting Up the Printer

Unpacking

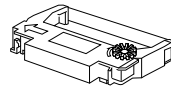
When you unpack the TM-U200 Series Type A printer, make sure you have these items.



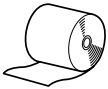
Printer



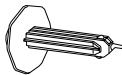
Power supply



Ribbon cassette



Roll paper



Journal take-up
spool



Power switch
cover



Hexagonal lock screw (2 pcs)
(only for the printer with the serial
interface. The hexagonal lock screw
is not included for some models of this
printer.)

If any item is missing or damaged, please contact your dealer for assistance.



Note:

See the Note on page 1-5 for information on the screws.

Selecting the Place

Place the printer on a surface that is as horizontal as possible.

The printer should be installed so that it does not move or vibrate during paper cutting or the drawer kick-out operation.

Fastening tape is available as an option.

Attaching the Paper Roll Near-End Detector (Option)

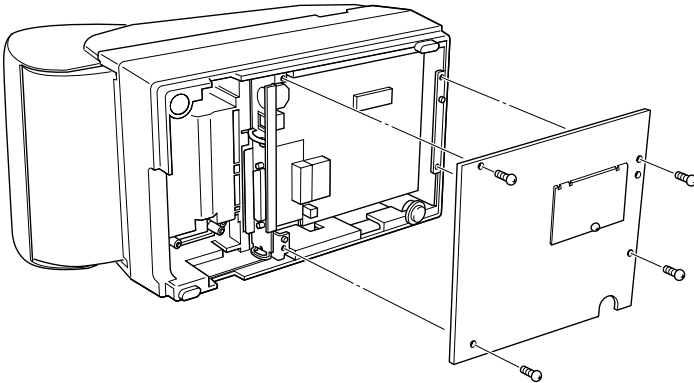
If you do not have a paper roll near-end detector or do not want to attach it, skip this section.



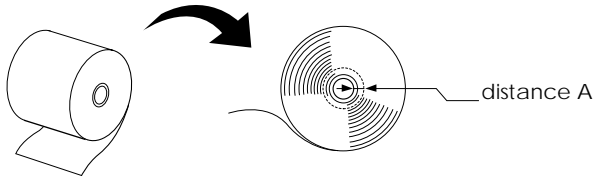
Note:

If you use this detector, use paper rolls with a core diameter 10.5 to 12.5 mm (0.41 to 0.47") so that the detector senses the remaining paper correctly.

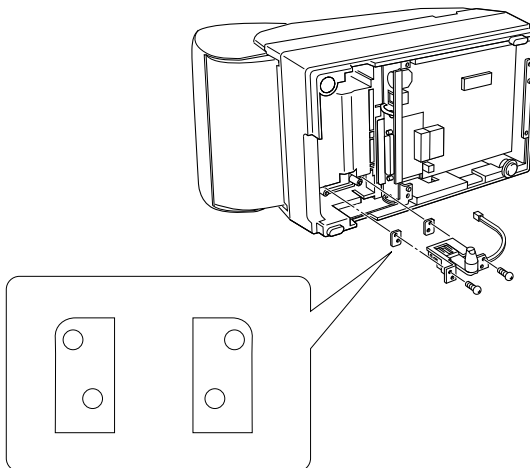
1. Make sure the power supply is disconnected from the printer.
2. Remove four screws from the bottom of the printer; then remove the cover.



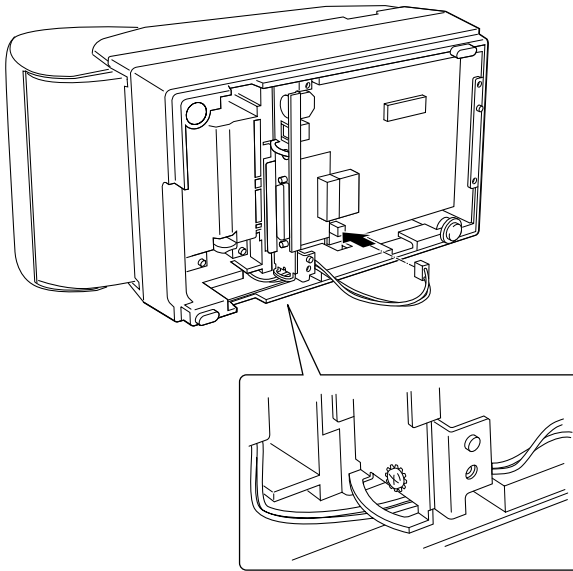
- Two spacers are included with the near-end detector. See the illustration below, and decide whether or not you want to use them. Use them if you want the near-end detector to be triggered when distance A is 3 to 4 mm (0.12 to 0.16"); otherwise it will be triggered when distance A is approximately 6 mm (0.24").



- Secure the paper roll near-end detector (and spacers) with two screws. When you insert the spacers, be sure you set the spacers in the direction shown in the illustration.



5. Connect the connector of the detector to CN11 on the printer.
Position the cable as shown in the illustration.



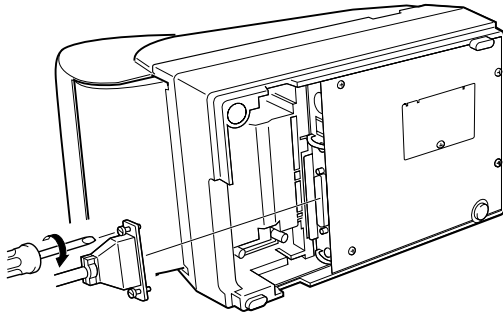
6. Replace the cover and fasten it with the four screws.

Connecting the Printer to the Computer

You need an appropriate serial interface or parallel interface cable to connect your computer to the printer (null modem serial or IEEE 1284 parallel).

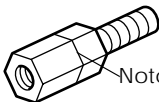
The Model with Serial Interface

1. Make sure the printer and computer are turned off. Then plug the cable into the connector on the printer, as shown.



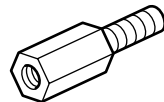
Note:

Your printer comes with inch-type hexagonal lock screws installed. If you plan to use an interface cable that requires millimeter-type lock screws, replace the inch-type screws with the enclosed millimeter-type screws by using a hex screwdriver (5 mm). To distinguish between the two types of screws, see the illustration below.



Inch-type

Notch (one or more lines)

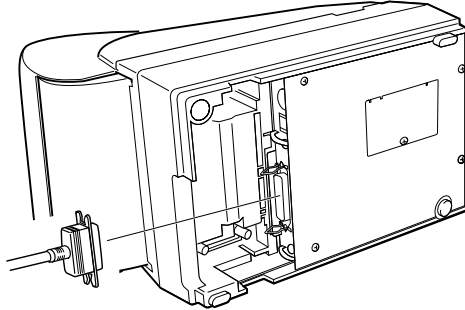


Millimeter-type

2. Connect the other end of the cable to the connector on your computer.

The Model with Parallel Interface

1. Make sure the printer and computer are turned off. Then, plug the cable into the connector on the printer, as shown.



Note:

Squeeze the wire clips on the printer together until they lock in place on both sides of the connector.

2. Connect the other end of the cable to the connector on your computer.

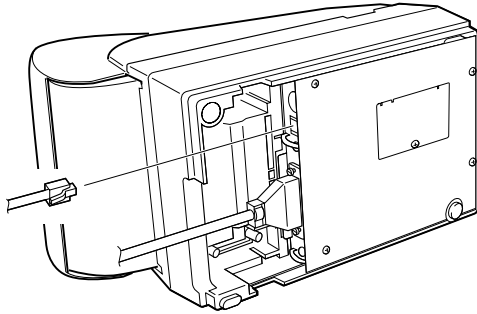
Connecting the Printer to the Drawer

WARNING:

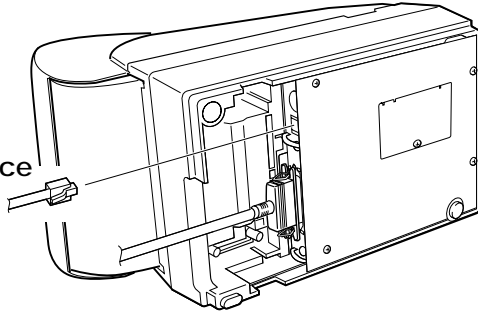
Use a drawer that matches printer specifications. Using an improper drawer may damage the drawer as well as the printer. (See Chapter 4 "Reference Information" for information on the drawer.)

Plug the drawer cable into the drawer kick-out connector on the bottom of the printer next to the computer interface connector.

Model with
Serial Interface



Model with
Parallel Interface

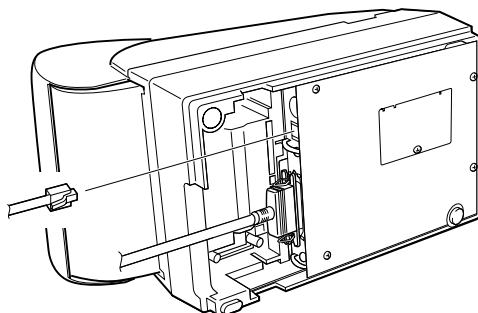
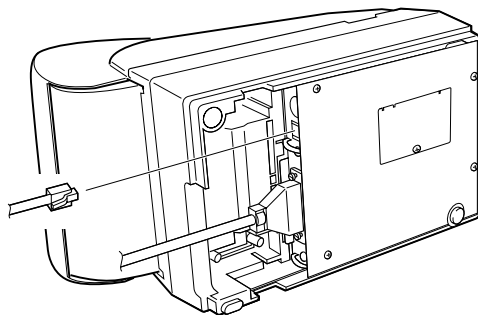


 **CAUTION:**

Do not connect a telephone line to the drawer kick-out connector; otherwise the printer and the telephone line may be damaged.

Den Drucker an die Lade anschließen

Das Kabel der Lade an die Schnappsteckerbuchse (neben der Schnittstellenbuchse) an der Unterseite des Druckers anschließen.



ACHTUNG:

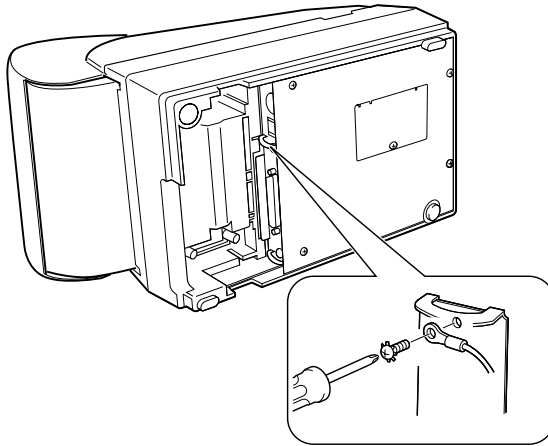
Kein Telefonkabel an die Schnappsteckerbuchse anschließen.

Grounding the Printer

You need a ground wire to ground your printer. Make sure the wire meets the specification below.

Thickness of wire: AWG 18 or equivalent
Diameter of terminal to be attached: 3.2

1. Make sure that the printer is turned off.
2. Connect the ground wire to the printer using the FG screw on the bottom of the printer, as shown.



Connecting the Power Supply

This printer requires an external power supply. Be sure to use a power supply that matches the specifications listed under “Electrical Specifications” in Chapter 4.

 **WARNING:**

Using an incorrect power supply may cause fire or electrical shock.

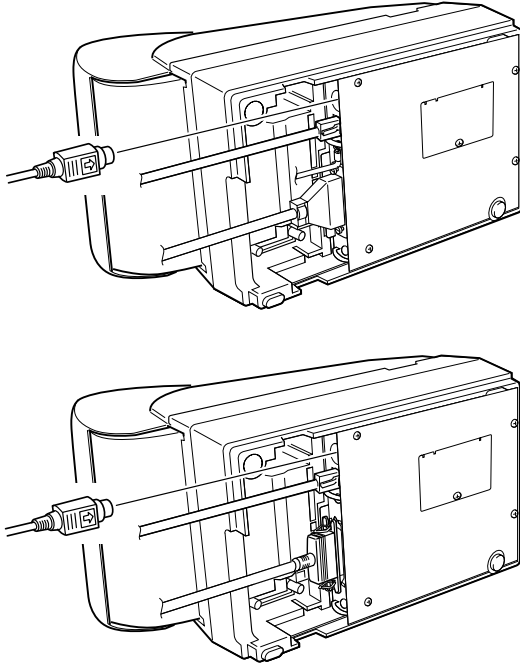
 **CAUTION:**

When connecting or disconnecting the power supply from the printer, make sure the power supply is not plugged into an electrical outlet; otherwise you may damage the power supply or the printer.

 **CAUTION:**

Do not connect the enclosed power supply to the EPSON customer display DM-D101 or DM-D202. This can damage the customer display and the power supply. However, you can connect this power supply to the EPSON customer display DM-D101 II or DM-D202 II.

1. Make sure the printer and power supply are turned off.
2. Plug the power supply's cable into the printer's connector as shown below. Note that the flat side of the connector faces down.



3. Plug the power supply's cord into an outlet.
 - ❑ If you ever need to remove the cable, unplug the power supply's cord from an outlet and then grasp the connector firmly at the arrow mark and pull it straight out.

Installing the Ribbon Cassette

CAUTION:

Never turn the ribbon cassette's feed knob in the opposite direction of the arrow marked on the cassette; otherwise the ribbon cassette may be damaged.

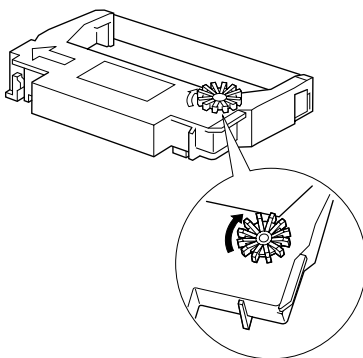
Do not replace the ribbon cassette while you are using the printer. If the printer is receiving data when you replace the ribbon cassette, data may be lost.



Note:

Use the EPSON ERC-38 ribbon cassette for your printer.

1. Open the printer cover.
2. Turn the ribbon cassette's knob two or three times in the direction of the arrow to take up any slack in the ribbon.

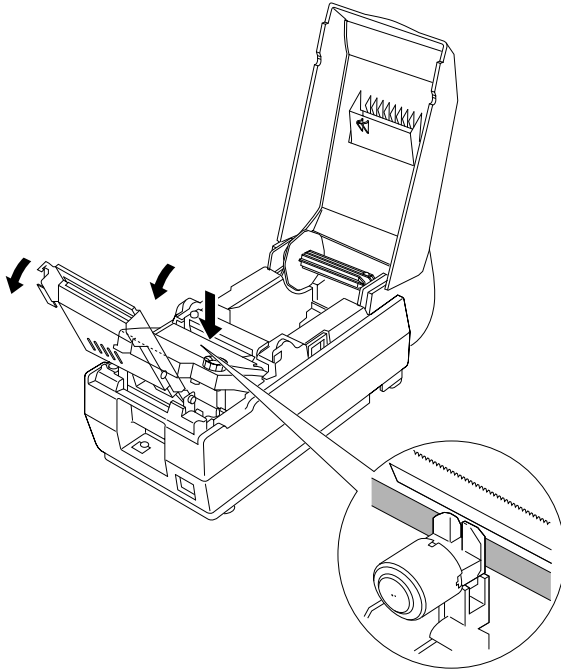


3. Open the auto cutter by pulling the tab up and toward you.
4. Insert the ribbon in the position shown in the illustration on the next page and push the ribbon cassette until it clicks.

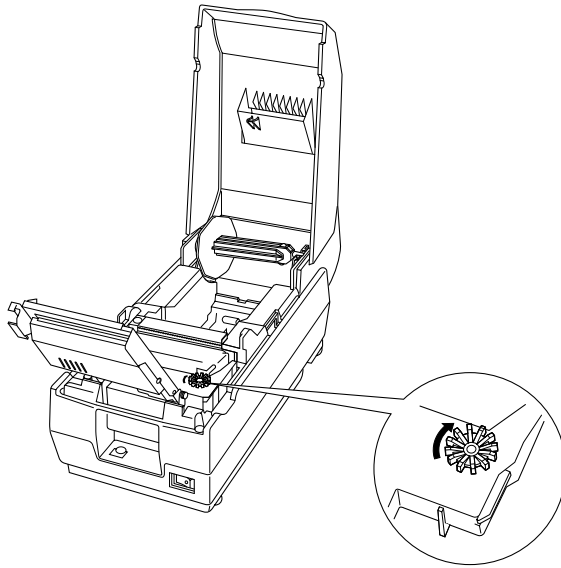


Note:

Make sure the ribbon is installed between the print head and the platen without wrinkles or creases.



5. Turn the ribbon cassette's knob 2 or 3 times in the direction of the arrow again to take up any slack in the ribbon.



6. Close the auto cutter by using the tab.
7. Close the printer cover.

To remove the ribbon cassette, follow the steps below.

1. Be sure the printer is not receiving data.
2. Open the auto cutter by using the tab.
3. Lift up the left side of the ribbon cassette to remove the ribbon cassette.

Installing the Paper Roll

CAUTION:

Be sure the printer is not receiving data when you replace a paper roll. If there is data, printing will start.



Notes:

Be sure to use roll paper that meets the specifications. (See “Paper Specifications” in Chapter 4.)

If you use roll paper with the paper glued or taped to the core, the core may be pulled into a paper feed path, which may cause a paper jam or lock the paper feed mechanism.

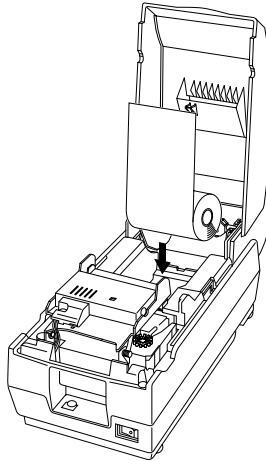
When you use a paper roll with the end attached to the core, use the optional paper roll near-end detector or replace the paper roll when the mark that indicates you are near the end of the paper roll appears.

1. Using scissors, cut the leading edge of the paper roll as shown below.



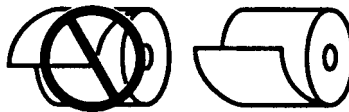
2. Turn on the printer and open the printer cover.

3. Insert the paper roll.

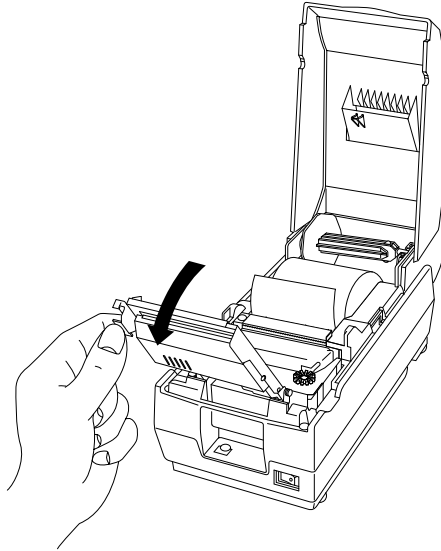


Note:

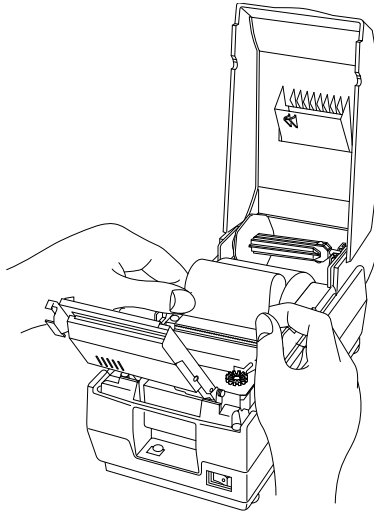
Be sure to note the correct direction that the paper comes off the roll, as shown below.



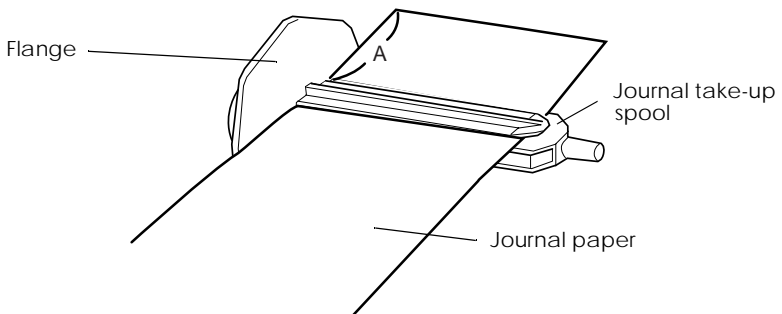
4. Open the auto cutter by pulling the tab up and toward you.



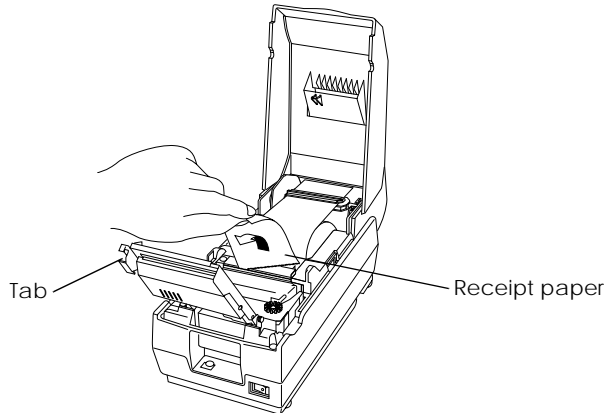
5. Hold both edges of the paper and insert it straight into the paper slot. The printer feeds the paper automatically.



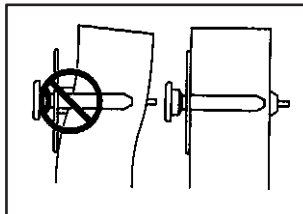
6. When using a 2-ply roll paper, remove the journal take-up spool from the printer, and insert the end of the paper into the spool as shown below. Be sure that length of A is between 40 and 60 mm (1.58 and 2.36") and the left side of the paper is aligned with the spool's flange.



7. Insert the journal take-up spool in the printer.
8. Cut the receipt paper (when using a 2-ply roll paper) on the manual cutter.



9. Close the auto cutter by using the tab. Be sure to check again that the left side of the paper is aligned with the spool's flange as shown below.

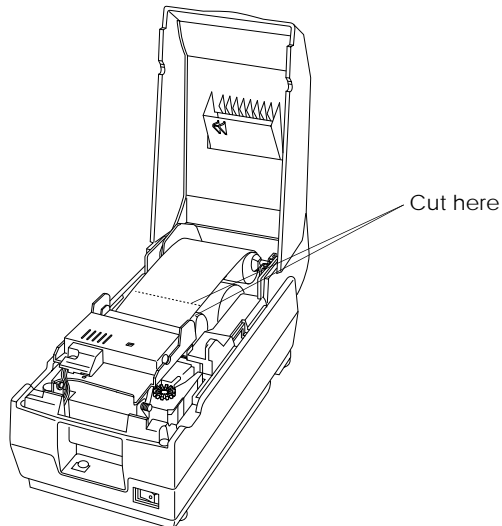


10. Close the printer cover.

To remove the paper roll, follow the steps below.

1. Be sure the printer is not receiving data and open the printer cover.

2. Cut the journal and receipt paper as shown in the illustration below.



3. Remove the paper take-up spool from the printer.
4. Remove the paper roll from the printer.
5. Press the FEED button to remove the remaining paper.



Note:

Do not pull the remaining paper in the opposite direction of paper feeding.

Running the Self Test

Any time you want to check the performance of your printer you can run the self test described below. This shows whether your printer is working correctly. It is independent of any other equipment or software.

**Note:**

Be sure to install the ribbon cassette and the paper roll before you run the self test.

1. To perform the self test, hold down the FEED button while you turn on the printer with the power switch.
2. The printer prints the current printer settings, and then the PAPER OUT light blinks to indicate that the printer is in the test printing standby state.
3. Press the FEED button to start the second part of the test, in which the printer prints a pattern using the built-in character set.
4. After the printer completes a certain number of lines, it prints the following:

*** completed ***

Then it enters the normal mode.

**Note:**

If you want to pause the self test manually, press the FEED button. Press the FEED button again to continue the self test.

Setting the DIP Switches

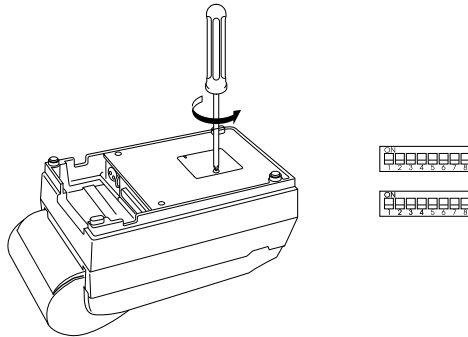
**CAUTION:**

Turn off the printer while removing the DIP switch cover to prevent an electrical short, which can damage the printer.

You can change your serial interface and print column settings by changing the DIP switch settings.

1. Make sure the printer is off.

- Turn the printer over and remove the DIP switch access cover, as shown below.



- There are two sets of switches. Use tweezers or another narrow tool to move the switches.
- Use the following tables to set the DIP switches. Numbers starting with 1 are in the first set, and numbers starting with 2 are in the second.

Model with Serial Interface DIP-Switch Functions

DIP Switch Set 1

Switch	Function	ON	OFF
1-1	Data reception error	Ignored	Prints "?"
1-2	Receive buffer capacity	40 bytes	Approximately 1K byte
1-3	Handshaking	XON/XOFF	DTR/DSR
1-4	Word length	7 bits	8 bits
1-5	Parity check	Yes	No

DIP Switch Set 1

Switch	Function	ON	OFF
1-6	Parity selection	Even	Odd
1-7	Baud rate	4800 BPS	9600 BPS
1-8	Busy condition	Sets the printer to go BUSY when the receive buffer is full	Sets the printer to go BUSY when it is off line or the receive buffer is full

DIP Switch Set 2

Switch	Function	ON	OFF
2-1	Print column selection 7 × 9 font/9 × 9 font	42/35	40/33
2-2	Internal use. Setting must not be changed. (Fixed to ON)		
2-3	Internal use. Setting must not be changed. (Fixed to OFF)		
2-4	Undefined		
2-5	Internal use. Setting must not be changed. (Fixed to ON)		
2-6	Internal use. Setting must not be changed. (Fixed to OFF)		
2-7	I/F pin 6 reset signal	Enabled	Disabled
2-8	I/F pin 25 reset signal	Enabled	Disabled



CAUTION:

Do not change the settings of switches 2-2, 2-3, 2-5, and 2-6. Changing these settings may cause inferior print quality.

Model with Parallel Interface DIP-Switch Functions

DIP Switch Set 1

Switch	Function	ON	OFF
1-1	Auto-line feed	Enabled	Disabled
1-2	Receive buffer capacity	40 bytes	Approximately 1K byte
1-3	Undefined		

DIP Switch Set 1

Switch	Function	ON	OFF
1-4	Undefined		
1-5	Undefined		
1-6	Undefined		
1-7	Undefined		
1-8	Handshaking (BUSY condition)	Sets the printer to go BUSY when the receive buffer is full or when reading data	Sets the printer to go BUSY when it is off line, the receive buffer is full, or when reading data

DIP Switch Set 2

Switch	Function	ON	OFF
2-1	Print column selection 7 × 9 font/9 × 9 font	42/35	40/33
2-2	Internal use. Setting must not be changed. (Fixed to ON)		
2-3	Internal use. Setting must not be changed. (Fixed to OFF)		
2-4	Undefined		
2-5	Internal use. Setting must not be changed. (Fixed to ON)		
2-6	Internal use. Setting must not be changed. (Fixed to OFF)		
2-7	Undefined		
2-8	Internal use. Setting must not be changed. (Fixed to ON)		



CAUTION:

Do not change the settings of switches 2-2, 2-3, 2-5, 2-6, and 2-8. Changing these settings may cause inferior print quality.

5. Replace the DIP switch cover and secure it with the screw.



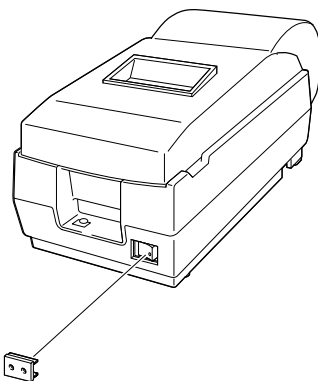
Note:

DIP switch settings are effective only when the power is turned on or the printer is reset with the interface connector.

Using the Power Switch Cover

You can use the provided power switch cover to protect the power switch from accidental or improper operation. Attach the cover as shown in the illustration below.

You can turn the power on or off with the switch cover attached by inserting a pointed object (like a ball point pen) through either of the two small holes on the switch cover.



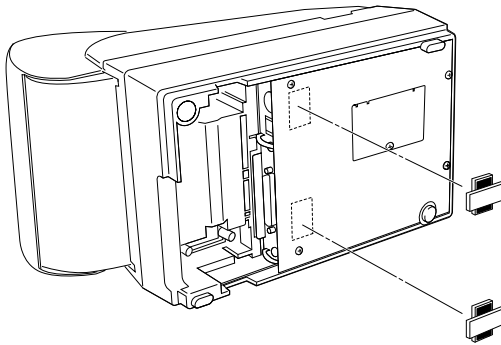
WARNING:

If an accident occurs when the power switch cover is attached, unplug the power supply cord from the outlet immediately.

Affixing the Fastening Tape (Option)

Two sets of tape are included as an option to fasten your printer to a countertop or other surface. Follow the steps below:

1. Clean the countertop or other surface where the printer will be installed.
2. Peel the green backing paper off of one side of each of the two sets of tape and affix them to the bottom of the printer, as shown below.



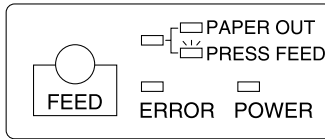
3. Peel the green backing paper off of the other side of the tape.
4. Press the printer onto the countertop; it will be held firmly in place by the fastening tape.

Chapter 2

Using the Printer

Operating the Control Panel

You can feed paper with the button on the control panel. The indicator lights help you monitor the printer's status.



Switch

The power switch on the front of the printer turns the printer on and off.

Button

FEED

Press the FEED button once to advance roll paper one line. You can also hold down FEED to feed the paper continuously.



Note:

*This button can be disabled by the **ESC c 5** command, but depending on the setting of **GS z 0** command, it can work while replacing the paper roll even if it has been disabled.*

Indicator lights

The control panel lights provide information on printer conditions.

POWER (Green)

The POWER light is on when printer power is on.

PAPER OUT (Red)

This light is on when the paper roll is at the end or near the end.

This light blinks in the following cases. When it blinks, press the FEED button.

- In the self-test standby mode



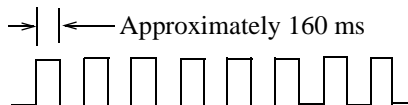
Note:

The paper near-end detector is an option.

ERROR (Red)

This light is on when the printer is off line. It blinks to indicate an error condition.

The blinking pattern shown below indicates that the temperature of the print head is too high. The printer recovers automatically and resumes printing when the head cools.



If the printer stops working and the ERROR light is blinking, turn the printer off, check for jammed paper, and remove it by following the instructions on page 3-3, if necessary. Then turn the printer back on. If the printer still does not work, unplug the power supply cord from the outlet immediately; then contact a qualified service person.

CAUTION:

The print head becomes very hot during printing. Allow it to cool before you reach into the printer.



Note:

The power switch and FEED button can also be used to start the self test.

Chapter 3

Troubleshooting

Troubleshooting

This chapter gives solutions to some of the more common printer problems.

General problems

The lights on the control panel do not come on.

Make sure the power supply cables are correctly plugged into the printer, the AC adapter, and to the power outlet.

Make sure power is supplied to the power outlet. If the outlet is controlled by a switch or timer, use another outlet.

Printing problems

The ERROR light is blinking and the printer does not print.

First, turn off the printer and check for a paper jam. (See the paper jam description on page 3-3.)

If there is no paper jam and the printer has been printing for quite a while, the print head may be overheated. If the print head is overheated, the printer will resume printing when the head has cooled (usually within two or three minutes).

If there is no paper jam and the print head is not overheated, turn off the printer and turn it back on after about 10 seconds. If the printer still does not work, unplug the power supply cord from the outlet immediately. Then contact a qualified service person.

The ERROR light is off, but nothing is printed.

Try to run the self test to check that the printer works properly. See the self test instructions in Chapter 1 to run the self test. If the self test does not work, contact your dealer or a qualified service person.

If the self test works properly, check the following:

1. Check the connection at both ends of the interface cable between the printer and the computer. Also make sure this cable meets the specifications for both the printer and the computer.
2. The data transmission settings may be different between the printer and computer. Make sure the printer's DIP switch settings for data transmission are the same as the computer's. You can print the printer's interface settings using the self test.

If the printer still does not print, contact your dealer or a qualified service person.

The printer sounds like it is printing, but nothing is printed.

The ribbon cassette may not be installed properly. See the instructions in Chapter 1.

The ribbon may be worn out. Replace the ribbon cassette as described in Chapter 1.

If the printer still does not print, contact your dealer or a qualified service person.

The printout is faint.

The ribbon may be worn out. Replace the ribbon cassette as described in Chapter 1.

A line of dots is missing in the printout.

The print head may be damaged. Stop printing and contact your dealer or a qualified service person.

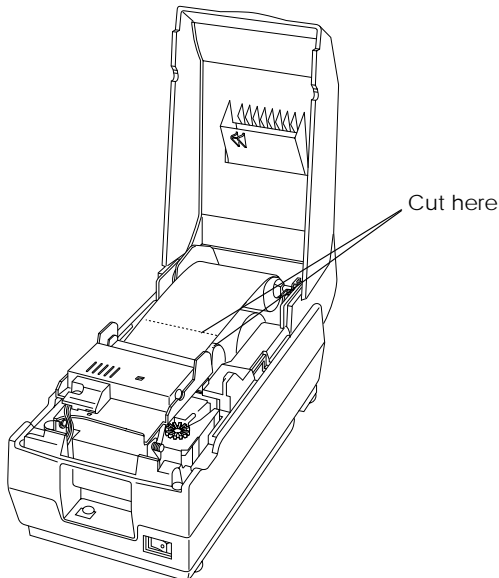
Removing jammed paper

Follow these steps to clear a paper jam:

CAUTION:

The print head becomes very hot during printing. Allow it to cool before you reach into the printer.

1. Open the printer cover.
2. Cut the journal and receipt paper as shown in the illustration below.

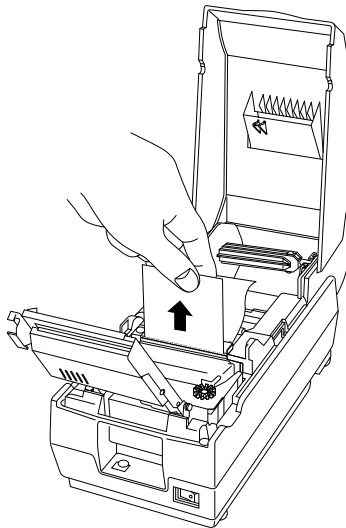


3. Remove the paper roll from the printer.
4. Open the auto cutter by pulling the tab up and toward you.
5. Remove the jammed paper by pulling it in the direction of paper feeding.



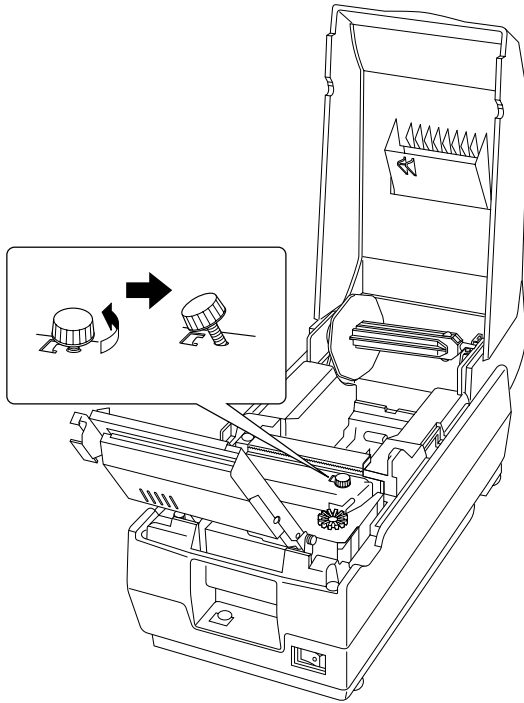
Note:

Do not pull the jammed paper in the opposite direction of paper feeding.



6. If paper still remains in the printer, follow the steps below.
7. Remove the ribbon cassette.

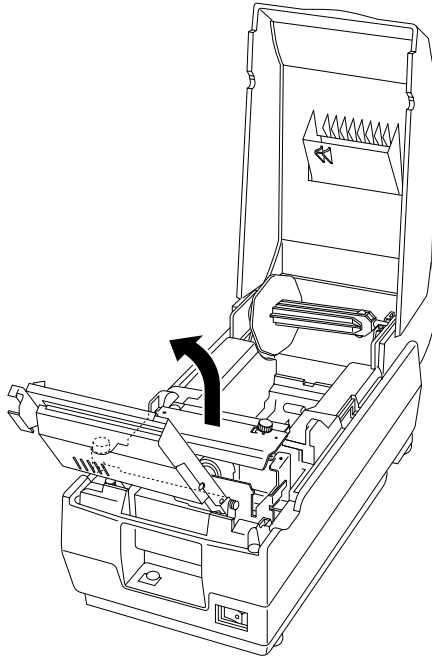
- Loosen the screw securing the print head cover. Turn the screw only until you can tilt it as shown in the illustration.



Note:

Do not remove the screw from the print head cover.

9. Lift up the print head cover.



10. Remove all the jammed paper.

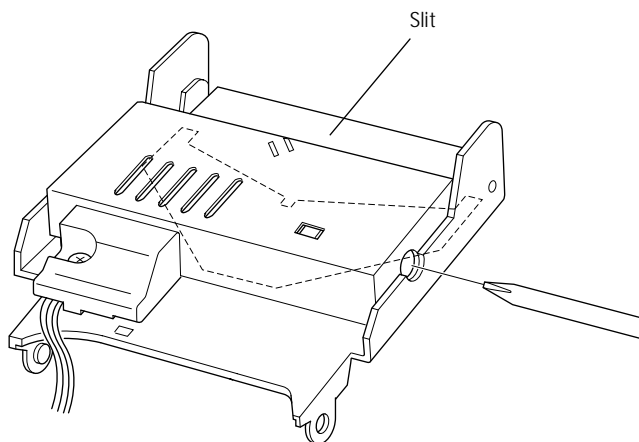


Note:

Do not pull the jammed paper in the opposite direction of paper feeding.

11. Replace the print head cover and secure it with the screw.
12. Replace the ribbon cassette and close the auto cutter.

13. If the auto cutter blade is not in its normal position (if you can see the blade in the auto cutter slit, the blade is not in the normal position), insert a screwdriver to the right side of the auto cutter and turn the gear inside to move the blade to the normal position.



14. Replace the paper roll and close the printer cover.

Hexadecimal Dump

This feature allows experienced users to see exactly what data is coming to the printer. This can be useful in finding software problems. When you turn on the hex dump function, the printer prints all commands and other data in hexadecimal format along with a guide section to help you find specific commands.

To use the hex dump feature, follow these steps:

1. After you make sure that the printer is off, set DIP switch 1-2 to ON.
2. Turn on the printer while you hold down the FEED button; then release and press the FEED button quickly.



Note:

Releasing and pressing the FEED button should be performed before the printer finishes initializing; otherwise the printer begins the self test.

3. When the printer enters the hex dump mode, it prints “Hexadecimal Dump.”
4. Run any software program that sends data to the printer. The printer prints all the codes it receives in a two-column format. The first column contains the hexadecimal codes and the second column gives the ASCII characters that correspond to the codes.

Hexadecimal Dump

```
1B 21 00 1B 26 02 40 40 : .!.. & . @ @  
1B 25 01 1B 63 34 00 1B : . % .. c4 ..  
41 42 43 44 45 46 47 48 : ABCDEFGH
```

- A period (.) is printed for each code that has no ASCII equivalent.
 - During the hex dump all commands except **DLE EOT** and **DLE ENQ** are disabled.
5. When the printing finishes, turn off the printer or reset it to turn off the hex dump mode.
 6. If you changed the DIP switch 1-2, set it back to OFF.

Printing Specifications

Printing method:	Serial impact dot-matrix
Head wire configuration:	9-pin serial configuration
Printing direction:	Bi-directional, logic-seeking
Characters/line (default):	See table on page 4-2.
Character spacing (default)	See table on page 4-2.
Fonts A and B:	
Printing speed:	Approximately 3.5 lines/second (40 columns, 16 characters/inch) Approximately 6.4 lines/second (16 columns, 16 characters/inch) (excluding data transmission time and processing time)

**Note:**

When printing exceeds the allowable print duty cycle, the printer automatically stops printing. In this case, the printing speed described above is not guaranteed.

When selecting red-color or 2-color (black/red) combination printing, the printing speed goes down, compared to black-color printing. It is caused by the switching operation in the printer.

Character Specifications

Number of characters: Alphanumeric characters: 95
 Extended graphics: 128 x 5 pages,
 International characters: 32

Character structure: 7 x 9 (the total number of dots in horizontal: 400 in half dot units)
 9 x 9 (the total number of dots in horizontal: 400 in half dot units)

Character size: See table below.

Character Sizes, Character Spacing, Character Columns

Character structure		Character size W x H (mm)	Character spacing Dot space	CPL	CPI
W x H (mm)	Character				
7 x 9	ANK	1.2 x 3.1	3 half dots	40	16
	Graphics	1.7 x 3.1	0	40	16
9 x 9	ANK	1.6 x 3.1	3 half dots	33	13.3
	Graphics	2.0 x 3.1	0	33	13.3
7 x 9	ANK	1.2 x 3.1	2 half dots	42	17.8
	Graphics	1.6 x 3.1	0	42	17.8
9 x 9	ANK	1.6 x 3.1	2 half dots	35	14.5
	Graphics	1.9 x 3.1	0	35	14.5

CPL = Characters per line

CPI = Characters per inch

LPS = Lines per second

ANK = Alphanumeric characters

Note:

- The default is 7 x 9 font. The dot spacing between characters for 3-dot spacing in half dot units and 2-dot spacing in half dot units depend on the DIP switch setting.

Paper Specifications

Paper feed method:	Friction feed
Paper feed pitch:	Default 4.233 mm (1/6 inch) Can be set in units of 0.176 mm (1/144 inch) by the ESC 2 and ESC 3 commands.
Paper feed speed:	Approximately 25 lines/second (4.17 inches/second) (continuous feeding)
Paper size and weight:	Normal paper (single-ply) Size: Width 76 mm ± 0.5 mm (3.0" ± 0.02") Maximum outside diameter: 83 mm (3.27") Core: Paper rolls that have the paper glued or taped to the core can cause a paper jam. If you use a paper roll with the paper glued or taped to the core, be sure to use the optional near end detector. Thickness: 0.06 to 0.085 mm (.0024 to .0033") Weight: 52.3 to 64.0 g/m ² (13.9 to 17 lbs) (45 to 55 Kg (20.41 to 24.94 lbs)/1000 sheets/1091 mm × 788mm (43.00" × 31.02"))

Pressure sensitive paper

Maximum 1 original + 1 copy

Size: Width 76 mm \pm 0.5 mm
(3.0" \pm 0.02")

Maximum 83 mm (3.27")
outside
diameter:

Thickness: 0.05 to 0.08 mm (.0020 to
.0031")
(Total thickness should
be a 0.2 mm or less
combination of 0.05 to
0.08 mm sheet.)

Recommend MITSUBISHI PAPER
-ed paper: MILLS, LTD.

Non-carbon paper
(blue color)

Top and middle sheets:
N40
(thickness: 0.06 mm,
weight: 47.2 g/m²)

Bottom sheet: N60
(thickness: 0.08 mm,
weight: 68.0 g/m²)

Electrical Specifications

Packaged AC adapter: One of the following 5 AC adapters is selected, depending on local power:

Factory setting	Voltage	Manufacturer's Number
Japan	100 V \pm 10 %, 50/60Hz	PA-6508
North America	120 V \pm 10 %, 60 Hz	PB-6509
Europe (Germany)	230 V \pm 10 %, 50 Hz	PB-6510
Europe (England)	230 V \pm 10 %, 50 Hz	PA-6511
Australia	240 V \pm 10 %, 50 Hz	PA-6513



Note: *The power supply may not be included with the printer with serial interface.*

Voltage output range 24 - 30 V at 1.2 A
Current consumption (excluding driving drawer kickout) Operating : Average 43 W
Standby: Average 6 W

Safety and EMI Standards Applied

(EMC is measured using Seiko Epson's AC adapter provided with the printer)

Europe: CE marking:
EN55022
EN50082-1
EN45501
Safety standard:
TÜV

North America: EMI:
FCC class A
Safety standard:
UL1950-2TH-D3
C-UL

Reliability

Life: **Mechanism** 7,500,000 lines

Print head: 150 million characters
(at an average of 2 dots/wire per character.)

Auto cutter: 800,000 cuts

End of life is defined as the point at which the printer reaches the beginning of the Wearout Period. Recommended paper must be used.

MTBF: 180,000 hours

Failure is defined as Random failure occurring at the time of the Random Failure Period.

MCBF: 18,000,000 lines

This is an average failure interval based on failures relating to wearout and random failures up to the life of 7.5 million lines.

Environmental Conditions

Temperature

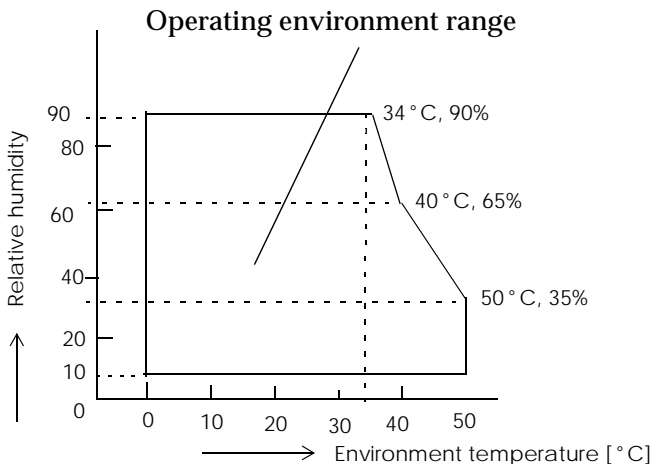
Operating: 0 to 50 °C (32 to 122 °F)
(when the temperature is 34 °C or more, there is a limitation for the humidity. Refer to the figure in the next page.)

Storage: -10 to 50 °C (14 to 122 °F)
(except for paper, and a ribbon)

Humidity

Operating: 10 to 90% RH

Storage: 10 to 90% RH
(except for paper and a ribbon)



Interface Specifications

Serial interface: RS-232 compatible or RS-485 compatible

Parallel interface: IEEE 1284 compatible (Nibble/Byte Modes)

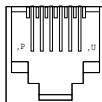


Note:

The interface is a factory-installed option. One of the following interfaces is already installed: RS-232, RS-485, or parallel.

See the EPSON TM-U200 Series (Type A) Specification for details.

Drawer Kick-out Specifications



Pin No.	Signal Name	Direction
1	Frame GND	—
2	Drawer kick-out drive signal 1	Output
3	Drawer open/close signal	Input
4	+24 V	—
5	Drawer kick-out drive signal 2	Output
6	Signal GND	—

Output signal voltage: Approximately 24 V

Output current: 1 A or less

Solenoid resistance: 24 Ω or more