

## **Mainboard User's Manual**

This publication, including all photographs, illustrations and software, is protected under international copyright laws, with all rights reserved. Neither this manual, nor any of the material contained herein, may be reproduced without the express written consent of the manufacturer.

The information in this document is subject to change without notice. The manufacturer makes no representations or warranties with respect to the contents hereof and specifically disclaims any implied warranties of merchantability or fitness for any particular purpose. Further, the manufacturer reserves the right to revise this publication and to make changes from time to time in the content hereof without obligation of the manufacturer to notify any person of such revision or changes.

### **Trademarks**

IBM, VGA, and PS/2 are registered trademarks of International Business Machines.

AMD, Duron and Athlon are registered trademarks of Advanced Micro Devices Inc.

Microsoft, MS-DOS and Windows 98/ME/NT/2000/XP are registered trademarks of Microsoft Corporation.

PC-cillin is a registered trademark of Trend Micro Inc.

AMI is a registered trademark of American Megatrends Inc.

A3D is a registered trademark of Aureal Inc.

MediaRing Talk is a registered trademark of MediaRing Inc.

3Deep is a registered trademark of E-Color Inc.

Other names used in this publication may be trademarks and are acknowledged.

**Copyright © 2002  
All Rights Reserved  
KOB KM266 FDSMx  
V1.2B  
VKM266/August 2002**

## Mainboard User's Manual

### Notice:

Owing to Microsoft's certifying schedule is various to every supplier, we might have some drivers not certified yet by Microsoft. Therefore, it might happen under Windows XP that a dialogue box (shown as below) pop out warning you this software has not passed Windows Logo testing to verify its compatibility with Windows XP. Please rest assured that our RD department has already tested and verified these drivers. Click the "Continue Anyway" button and go ahead the installation.



## Mainboard User's Manual

### Table of Contents

Trademarks .....	I
Chapter 1: Introduction.....	1
Key Features.....	2
Package Contents.....	5
Static Electricity Precautions.....	6
Pre-Installation Inspection.....	6
Chapter 2: Mainboard Installation.....	7
Mainboard Components .....	8
I/O Ports.....	9
Install A CPU .....	9
Install Memory .....	11
Setting Jumper Switches.....	13
Install the Mainboard.....	14
Optional Extension Brackets .....	16
Install Other Devices .....	17
Expansion Slots .....	20
Chapter 3: BIOS Setup Utility.....	23
Introduction .....	23
Running the Setup Utility.....	24
Standard CMOS Setup Page.....	25
Advanced Setup Page.....	26
Power Management Setup Page .....	28
PCI / Plug and Play Setup Page.....	30
Load Optimal Settings.....	31
Load Best Performance Settings.....	31
Features Setup Page.....	32
CPU PnP Setup Page .....	34
Hardware Monitor Page.....	35
Change Password.....	35
Exit .....	36
Chapter 4: Software & Applications .....	37
Introduction .....	37
Installing Support Software .....	38
Bundled Software Installation .....	40

**Mainboard User's Manual**

---

## Chapter 1

### Introduction

---

This mainboard has a **Socket-A** support for the **AMD K7** processors. The Socket-A processor's front-side bus speed is **200/266MHz**.

This mainboard has a **KM266** chipset that supports a **4X AGP** slot for highly graphics display, **100/133 MHz DDR/SDR**, and **Ultra DMA ATA100** function to provide outstanding high system performance under all types of system operations. The mainboard has the built-in **AC97 Codec**, a **CNR** (Communications and Networking Riser) slot and a built-in **10BaseT/100BaseTX Network Interface**. This mainboard has the **128-bit 2D/3D AGP Graphics Accelerator** with 32MB frame buffer, supporting **AGP 4X 266MHz** mode up to 1GB/s bandwidth, which provides a direct connection between the graphics sub-system and memory so that the graphics do not have to compete for processor time with other devices on the PCI bus. There is a full set of **I/O Ports** including PS/2 keyboard and mouse ports, two back-panel USB ports, one parallel port, one serial port and one onboard VGA (S3). Connecting extended USB modules to the mainboard makes six extra USB ports (headers USB2, USB3 and USB5).

This mainboard has all the features you need to develop a powerful multimedia workstation that is network ready. The board is **Micro ATX size** and has power connectors for an **ATX** power supply.

## Mainboard User's Manual

### Key Features

The key features of this mainboard include:

#### Socket-A Processor Support

- ◆ Supports AMD **Athlon XP/Athlon/Duron** processors
- ◆ Supports 200/266 MHz Front-Side Bus

#### Chipset

There are **VIA KM266** Northbridge and VT8233 Southbridge in this chipset in accordance with an innovative and scalable architecture with proven reliability and performance. A few of the chipset's advanced features are:

- ◆ An advanced V-Link memory controller architecture that provides the bandwidth up to 266 MB/s and performance necessary for even the most demanding Internet and 2D/3D graphics
- ◆ Support for an 4xAGP interface providing vivid 2D/3D graphics and video performance

#### Memory Support

- ◆ Two 168-pin DIMM slots for SDRAM memory modules
- ◆ Two 184-pin DIMM slots for DDR memory modules
- ◆ Support for 100/133 MHz memory bus
- ◆ Maximum installed memory is 2GB

*Notice: You can NOT use SDRAM and DDR simultaneously.*

#### Expansion Slots

- ◆ One CNR slot
- ◆ One 4X AGP slot for AGP 2.0-compliant interface
- ◆ Two 32-bit PCI slots for PCI 2.2-compliant bus interface

## 1: Introduction

### Onboard IDE channels

- ◆ Primary and Secondary PCI IDE channels
- ◆ Support for PIO (programmable input/output) modes
- ◆ Support for Multiword DMA modes
- ◆ Support for Bus Mastering and Ultra DMA ATA **100** 33/66/**100** modes

### Power Supply and Power Management

- ◆ ATX power supply connector
- ◆ ACPI and previous PMU support, suspend switch, keyboard power on/off
- ◆ Supports Wake on LAN

### VGA

- ◆ Single cycle 128-bit 3D architecture
- ◆ 128-bit 2D graphic engine
- ◆ 8/16/32 MB frame buffer using system memory
- ◆ Supports AGP 4X 266 MHz mode up to 1GB/s bandwidth
- ◆ Supports 250MHz RAMDAC
- ◆ 2D/3D resolutions up to 1920x1440
- ◆ Supports AGP Rev. 2.0 Spec. Compliant

### AC97 Codec

- ◆ Compliant AC97 2.1 specification
- ◆ Supports 18-bit ADC (Analog Digital Converter) and DAC (Digital Analog Converter) as well as 18-bit stereo full-duplex codec

### Onboard I/O Ports

- ◆ Provides PC99 Color Connectors for easy peripheral device connections
- ◆ Floppy disk drive connector with 1Mb/s transfer rate
- ◆ Two PS/2 ports for keyboard and mouse
- ◆ One serial port with 16C550-compatible fast UART
- ◆ One parallel port with ECP and EPP support
- ◆ One MIDI/Game port
- ◆ Two back-panel USB ports and optional six USB ports (onboard USB headers: header USB2, USB3 and USB5)

## Mainboard User's Manual

- ◆ One infrared port connector for optional module

### Built-in Ethernet LAN

- ◆ Built-in **10BaseT/100BaseTX Ethernet LAN**
- ◆ LAN controller integrates Fast Ethernet MAC and PHY compliant with IEEE802.3u 100BASE-TX, 10BASE-T and ANSI X3.263 TP-PMD standards
- ◆ Compliant with ACPI 1.0 and the Network Device Class Power Management 1.1
- ◆ High Performance provided by 100Mbps clock generator and data recovery circuit for 100Mbps receiver

### Hardware Monitoring

- ◆ Built-in hardware monitoring for CPU & System temperatures, fan speeds and mainboard voltages

### Onboard Flash ROM

- ◆ Supports Plug and Play configuration of peripheral devices and expansion cards

### Bundled Software

- ◆ **PC-Cillin2000** provides automatic virus protection under Windows 98/ME/NT/2000/XP
- ◆ **MediaRing Talk** provides PC to PC or PC to Phone internet phone communication
- ◆ **3Deep** delivers the precise imagery and displays accurate color in your monitor
- ◆ **Recovery Genius 21<sup>st</sup> V5.0** provides the function to recover, reserve and transfer hard disk data.
- ◆ **CD Ghost** is the software stimulating a real CD-ROM to perform equivalent function.
- ◆ **Language Genius 21<sup>st</sup>** is the software to provides learning tools of language and singing.
- ◆ **PC DJ** is a dual-MP3 player that enables users to actually mix music right on their own personal computers.
- ◆ **Adobe Acrobat Reader V5.0** is the software to help users read .PDF files.



## 1: Introduction

### Dimensions

- ◆ Micro ATX form factor (24.4cm x 24.4cm)

### Package Contents

Your mainboard package ships with the following items:

- The mainboard
- This User's Guide
- 1 UDMA/66 IDE cable
- 1 Floppy disk drive cable
- Support software on CD-ROM disk

### Optional Accessories

You can purchase the following optional accessories for this mainboard.

- Extended USB module

## **Mainboard User's Manual**

### **Static Electricity Precautions**

Components on this mainboard can be damaged by static electricity. Take the following precautions when unpacking the mainboard and installing it in a system.

1. Keep the mainboard and other components in their original static-proof packaging until you are ready to install them.
2. During installation, wear a grounded wrist strap if possible. If you don't have a wrist strap, discharge static electricity by touching the bare metal of the system chassis.
3. Handle the mainboard carefully by the edges. Avoid touching the components unless it is absolutely necessary. During installation put the mainboard on top of the static-protection packaging it came in with the component side facing up.

### **Pre-Installation Inspection**

1. Inspect the mainboard for damage to the components and connectors on the board.
2. If you suspect that the mainboard has been damaged, do not connect power to the system. Contact your mainboard vendor and report the damage.

## Chapter 2

# Mainboard Installation

---

To install this mainboard in a system, please follow these instructions in this chapter:

- ❑ Identify the mainboard components
- ❑ Install a CPU
- ❑ Install one or more system memory modules
- ❑ Make sure all jumpers and switches are set correctly
- ❑ Install this mainboard in a system chassis (case)
- ❑ Connect any extension brackets or cables to connecting headers on the mainboard
- ❑ Install other devices and make the appropriate connections to the mainboard connecting headers

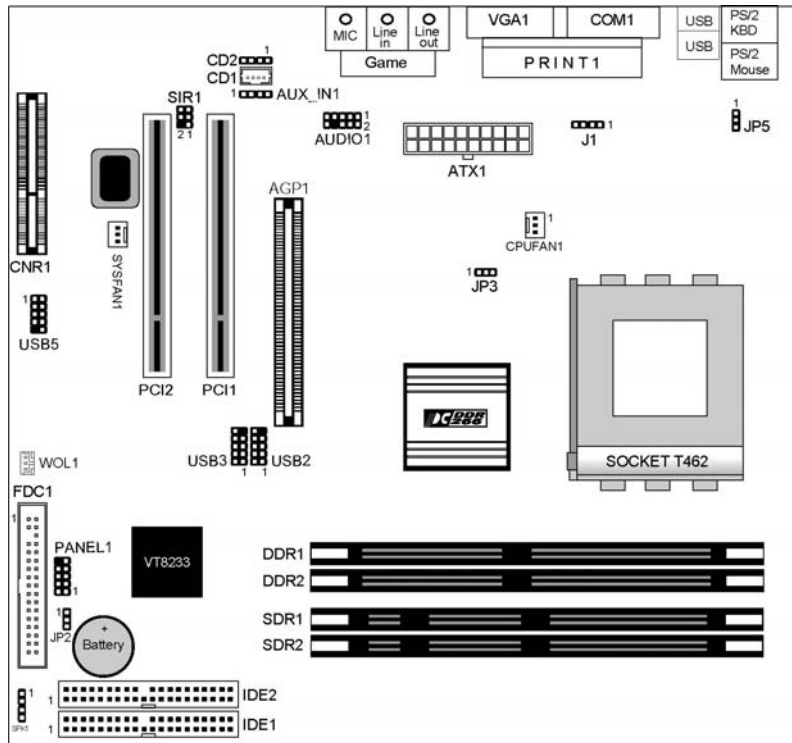
**Note:**

1. Before installing this mainboard, make sure jumper JP2 is under Normal setting. See this chapter for information about locating JP2 and the setting options.
2. Never connect power to the system during installation; otherwise, it may damage the mainboard.

## Mainboard User's Manual

### Mainboard Components

This diagram below identifies major components on the mainboard.

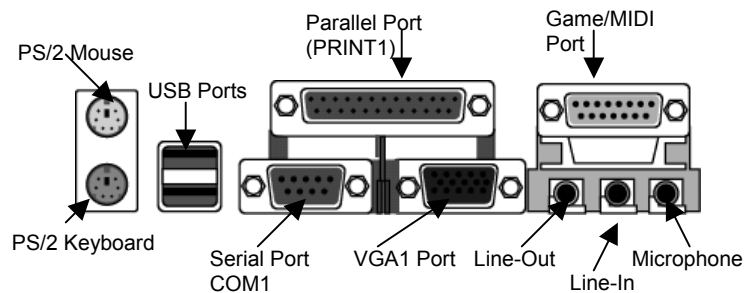


**Note:** Any jumpers on your mainboard that do not appear in the illustration above are for testing only.

## 2: Mainboard Installation

### I/O Ports

The illustration below shows a side view of the built-in I/O ports on the mainboard.



### Install A CPU

This mainboard has a Socket-462 CPU socket for AMD K7 processors.

**To ensure reliability, ensure that your processor has a heatsink/cooling fan assembly.**

Do not try to install a Socket-370/Socket-7 processor in the Socket-462. A Socket-370/Socket-7 processor such as the PPGA Celeron, FCPGA Pentium-III, Pentium-MMX, or the AMD K5/K6 does not fit in the Socket-462.

The following list notes the processors that are currently supported by this mainboard.

**Athlon XP:** 1500+ ~ 2000+; FSB: 266 MHz

**Athlon:** 650 MHz~1.4 GHz, FSB: 200 MHz, 266 MHz

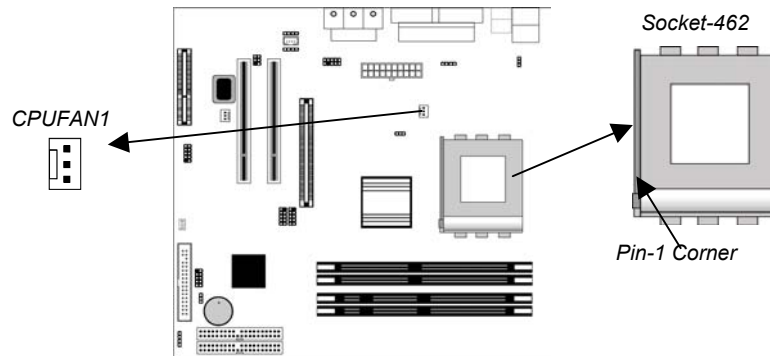
**Duron:** 550 MHz~1.2 GHz, FSB: 200 MHz

## Mainboard User's Manual

### Installing a Socket-462 Processor

A processor installs into the ZIF (Zero Insertion Force) Socket-462 on the mainboard.

1. Locate the Socket-462 and CPUFAN1. Pull the locking lever out slightly from the socket and raise it to the upright position.



2. On the processor, identify the Pin-1 corner by its beveled edge.
3. On the Socket-462, identify the Pin-1 corner. The Pin-1 corner is at the top of the locking lever when it is locked.
4. Match the Pin-1 corners and insert the processor into the socket. No force is required and the processor should drop into place freely.
5. Swing the locking lever down and hook it under the catch on the side of the socket. This secures the CPU in the socket.
6. All processors should be installed with a combination heatsink/cooling fan (the original fan is recommended, the others' fan is not), connect the cable from the fan to the CPU fan power connector CPUFAN1.

See the Setting Jumper Switches section for detail information on CPU System Bus settings.

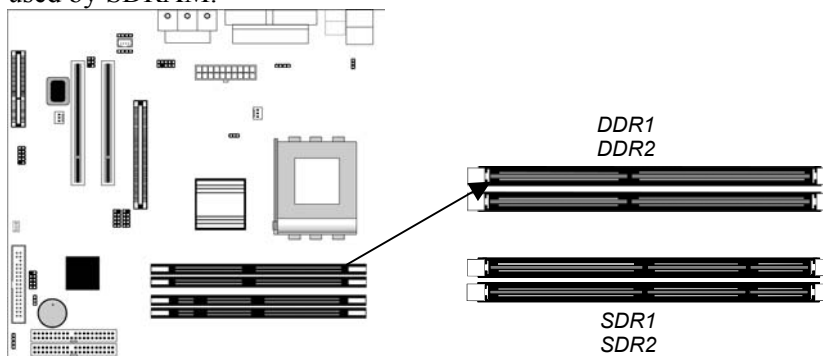
## 2: Mainboard Installation

### Install Memory

This mainboard accommodates 168-pin 3.3V/184-pin 2.5V unbuffered SDRAM/DDR SDRAM (Double Data Rate SDRAM) memory modules. The memory chips must be standard or registered SDRAM (Synchronous Dynamic Random Access Memory).

You must install at least one memory module in order to work the mainboard, **either SDRAM or DDR SDRAM, but you cannot work them simultaneously.**

SDRAM provides 800 MB/s or 1 GB/s data transfer rate corresponding with the bus 100 MHz or 133 MHz. It doubles the rate to 1.6 GB/s and 2.1 GB/s by transferring data on both the rising and falling edges of the clock. DDR SDRAM uses additional power and ground lines and requires 184-pin 2.5V unbuffered DIMM module rather than the 168-pin 3.3V unbuffered DIMMs used by SDRAM.



## **Mainboard User's Manual**

### **Installation Procedure**

The mainboard accommodates two memory modules. You must install at least one module of them. Each module can be installed with up to 2 GB system memory.

Install the memory modules as the following steps:

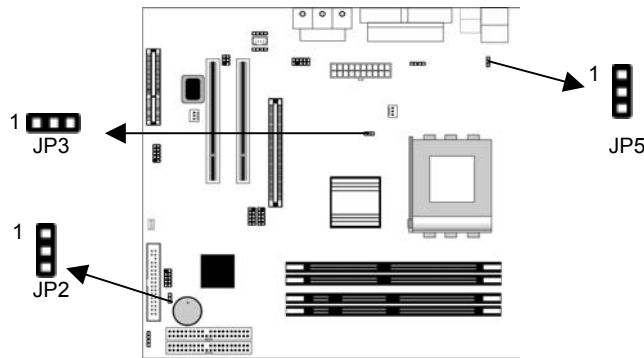
1. Push the latches on each side of the DIMM slot down.
2. Align the memory module with the slot. The DIMM slots are keyed with notches and the DIMMs are keyed with cutouts so that they can only be installed correctly.
3. Check that the cutouts on the DIMM module edge connector match the notches in the DIMM slot.
4. Install the DIMM module into the slot and press it firmly down until it seats correctly. The slot latches are levered upwards and latch on to the edges of the DIMM.
5. Install any remaining DIMM modules.



## 2: Mainboard Installation

### Setting Jumper Switches

Jumpers are sets of pins connected together with jumper caps. The jumper caps change the mainboard's operation by changing the electronic circuits on the mainboard. If we connect two pins with a jumper cap, these pins are SHORT; if remove a jumper cap from these pins, they are OPEN.



#### Jumper JP2: Clear CMOS Memory

This jumper can clear the CMOS memory. You may need to clear the CMOS memory if the settings in the Setup Utility are incorrect that your mainboard can't operate. To clear the CMOS memory, disconnect all the power cables, and then move the jumper cap into the CLEAR setting for a few seconds.

Function	Jumper Setting
Normal	Short Pins 1-2
Clear CMOS	Short Pins 2-3

#### Jumper JP3: CPU Clock Selector

This 3-pin jumper selects the processor 133 MHz or 100 MHz.

Function	Jumper Setting
100 MHz	Short Pins 1-2
133 MHz	Short Pins 2-3

## Mainboard User's Manual

### Jumper JP5: Keyboard Power On Selector

If you enable the Keyboard Power On feature, you can use hot keys on your keyboard as a power on/off switch for the system.

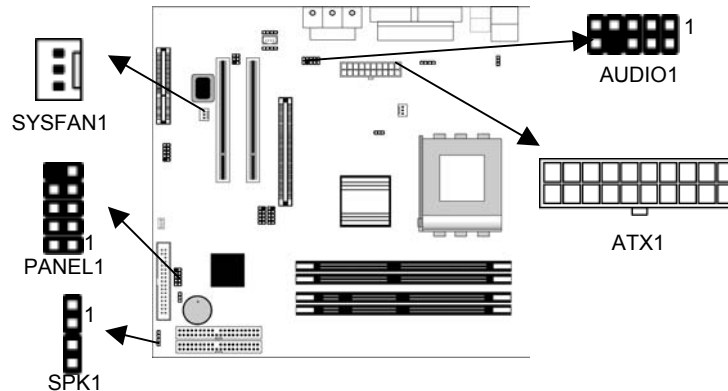
*Note: The system must provide 1A on the +5VSB (+5V Standby) signal before using the Keyboard Power On function.*

Function	Jumper Setting
Disable Keyboard Power On	Short Pins 1-2
Enable Keyboard Power On	Short Pins 2-3

### Install the Mainboard

Install the mainboard in a system chassis (case). The board is an ATX size mainboard with a twin-tier of I/O ports. You can install this mainboard in an ATX case. Ensure that your case has an I/O cover plate that matches the ports on this mainboard.

Install the mainboard in a case. Follow the instructions provided by the case manufacturer using the hardware and internal mounting points on the chassis.



Connect the power connector from the power supply to the **ATX1** connector on the mainboard.

If there is a cooling fan installed in the system chassis, connect the cable from the cooling fan to the **SYSFAN1** fan power connector on the mainboard.

Connect the cable from the PC speaker to the **SPK1** header on the mainboard.

Pin	Signal	Pin	Signal
1	+5V	2	NC
3	GND	4	SPKR

## 2: Mainboard Installation

Connect the case switches and indicator LEDs to the **PANEL1** header.

Pin	Signal	Pin	Signal
1	HDD_LED_P	2	PWR/ACPI LED
3	HDD_LED_N	4	PWR/ACPI LED
5	RESET	6	POWER BUTTON
7	RESET	8	POWER BUTTON
9	KEY	10	KEY

If there are a headphone jack or/and a microphone jack on the front panel, connect the cables to the **AUDIO1** header on the mainboard.

Pin	Signal	Pin	Signal
1	MIC	2	GND
3	MIC-P	4	VCC
5	AUD_FPOUT_R	6	AUD_RFT_R
7	NC	8	KEY
9	AUD_FPOUT_L	10	AUD_RFT_L

**Note:** *If you want to connect the front panel sound jack, you have to remove jumper caps of Pin(5-6) and Pin(9-10) from the AUDIO1 header.*

## Mainboard User's Manual

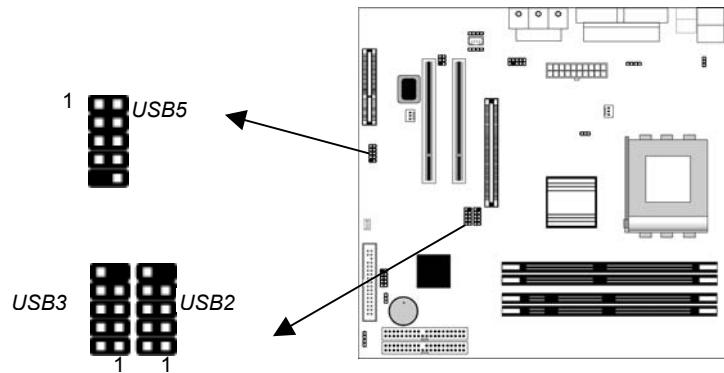
### Optional Extension Brackets

For this mainboard, you can obtain some USB module extension brackets. You can use auxiliary USB connectors USB2 and USB3 for extra USB ports. Following these steps below to install them.

*Note: All the ribbon cables used on the extension brackets have a red stripe on the Pin-1 side of the cable.*

### Extended USB Module

Each module bracket has two USB ports for more USB devices.



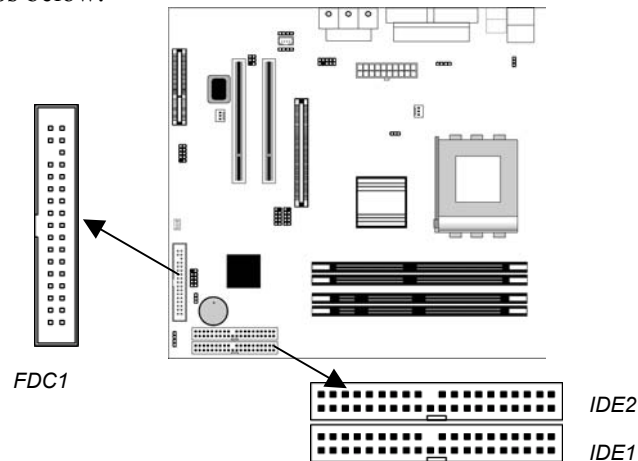
Pin	Signal	Pin	Signal
1	VERG_FP_USBPWR0	2	VERG_FP_USBPWR0
3	USB_FP_P0-	4	USB_FP_P1-
5	USB_FP_P0+	6	USB_FP_P1+
7	GROUND	8	GROUND
9	KEY	10	KEY

1. Locate the USB2/3/5 header on the mainboard.
2. Plug the bracket cable onto the USB2/3/5 header.
3. Remove a slot cover from one of the expansion slots on the system chassis. Install an extension bracket in the opening. Secure the extension bracket to the chassis with the screw that held the slot cover.

## 2: Mainboard Installation

### Install Other Devices

Install and connect any other devices in the system following the steps below.



### Floppy Disk Drive

The mainboard ships with a floppy disk drive cable that can support one or two drives. Drives can be 3.5" or 5.25" wide, with capacities of 360K, 720K, 1.2MB, 1.44MB, or 2.88MB.

Install your drives and connect power from the system power supply. Use the cable provided to connect the drives to the floppy disk drive connector **FDC1**.

### IDE Devices

IDE devices include hard disk drives, high-density diskette drives, and CD-ROM or DVD-ROM drives, among others.

The mainboard ships with an IDE cable that can support one or two IDE devices. If you connect two devices to a single cable, you must configure one of the drives as Master and one of the drives as Slave. The documentation of the IDE device will tell you how to configure the device as a Master or Slave device. The Master device connects to the end of the cable.

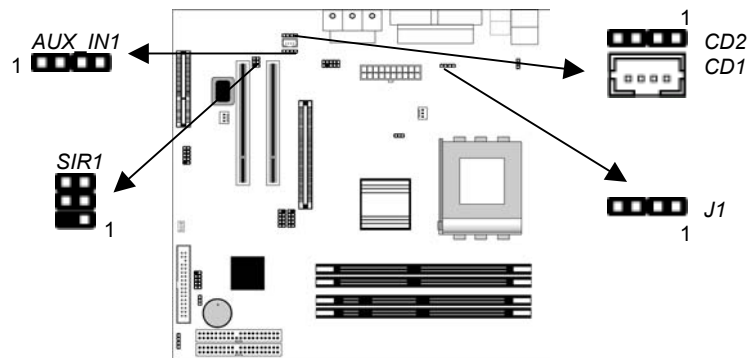
Install the device(s) and connect power from the system power supply. Use the cable provided to connect the device(s) to the Primary IDE channel connector **IDE1** on the mainboard.

## Mainboard User's Manual

If you want to install more IDE devices, you can purchase a second IDE cable and connect one or two devices to the Secondary IDE channel connector **IDE2** on the mainboard. If you have two devices on the cable, one must be Master and one must be Slave.

### Internal Sound Connections

If you have installed a CD-ROM drive or DVD-ROM drive, you can connect the drive audio cable to the onboard sound system.



On the mainboard, locate the two 4-pin connectors **CD1** and **CD2**. There are two kinds of connector because different brands of CD-ROM drive have different kinds of audio cable connectors. Connect the cable to the appropriate connector.

#### CD1

Pin	Signal
1	GND
2	CD IN L
3	GND
4	CD IN R

#### CD2

Pin	Signal
1	CD IN L
2	GND
3	GND
4	CD IN R

## 2: Mainboard Installation

### Infrared Port

You can connect an infrared port to the mainboard. You can purchase this option from third-party vendors.

Pin	Signal	Pin	Signal
1	NC	2	KEY
3	+5V	4	GND
5	IRTX	6	IRRX

1. Locate the infrared port **SIR1** header on the mainboard.
2. If you are adding an infrared port, connect the ribbon cable from the port to the SIR1 header and then secure the port to an appropriate place in your system chassis.

### Aux-In Connection

If you have installed a secondary CD-ROM drive or DVD-ROM drive, you can connect the drive audio cable to the onboard sound system. On the mainboard, locate the 4-pin auxiliary audio-in header **AUX IN1**, and connect the cable to the connector.

Pin	Signal	Pin	Signal
1	AUX_L	2	AUD_GND
3	AUD_GND	4	AUX_R

### Onboard LAN LED Connections

If you have a set indicator LEDs for the onboard LAN communication, you can connect the LED cable to the header **J1**. Pins 1-2 are for Link LED. Pins 3-4 are for 10/100 Mbps mode LED, the onboard LAN run in 100 Mbps mode when the LED lit.

Function	Jumper Setting
Normal	Short Pins 1-2 & 3-4
LAN LED	Open Pins 1-2 & 3-4

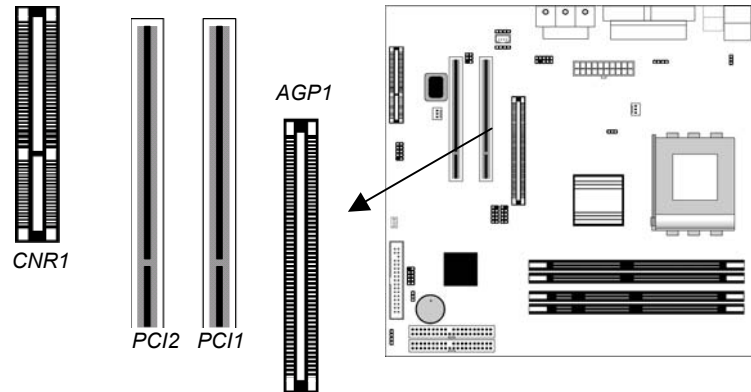
*Notice: Usually, keep the jumper setting as Normal (Short Pins 1-2 & 3-4); only turn to LAN LED (Open Pins 1-2 and 3-4) for actuating the LAN LED indicator.*

Pin	Signal	Pin	Signal
1	Link LED	2	GND
3	GND	4	10/100 Mbps mode LED

## Mainboard User's Manual

### Expansion Slots

This mainboard has one AGP, one CNR and two 32-bit PCI slots.



Follow the steps below to install a PCI/AGP/CNR expansion card.

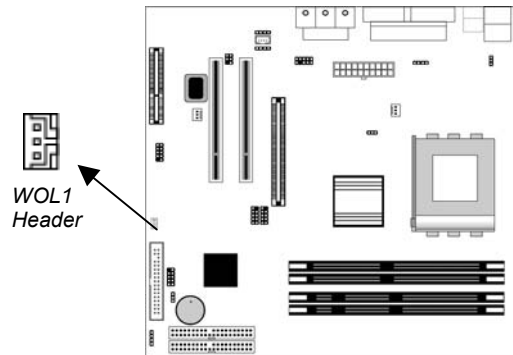
1. Locate the CNR, AGP or PCI slots on the mainboard.
2. Remove the blanking plate of the slot from the system chassis.
3. Install the edge connector of the expansion card into the slot.  
Ensure the edge connector is correctly seated in the slot.
4. Secure the metal bracket of the card to the system chassis with a screw.



## 2: Mainboard Installation

### Wake On LAN (WOL)

If you have installed a LAN adapter expansion card, connect the card to the Wake On LAN connector **WOL1**. This allows incoming traffic to resume the system from a software power down. You need to enable this feature in the BIOS setup utility.



Pin	Signal
1	5VSB
2	GND
3	RIJ

**Mainboard User's Manual**

## Chapter 3

# BIOS Setup Utility

---

### Introduction

The BIOS Setup Utility records settings and information of your computer, such as date and time, the type of hardware installed, and various configuration settings. Your computer applies the information to initialize all the components when booting up and basic functions of coordination between system components.

If the Setup Utility configuration is incorrect, it may cause the system to malfunction. It can even stop your computer booting properly. If it happens, you can use the clear CMOS jumper to clear the CMOS memory which has stored the configuration information; or you can hold down the **Page Up** key while rebooting your computer. Holding down the **Page Up** key also clears the setup information.

You can run the setup utility and manually change the configuration. You might need to do this to configure some hardware installed in or connected to the mainboard, such as the CPU, system memory, disk drives, etc.

## Mainboard User's Manual

### Running the Setup Utility

Every time you start your computer, a message appears on the screen before the operating system loading that prompts you to “Hit <DEL> if you want to run SETUP”. Whenever you see this message, press the **Delete** key, and the Main menu page of the Setup Utility appears on your monitor.

AMIBIOS SIMPLE SETUP UTILITY – VERSION 1.21.10  
(C) 2000 American Megatrends, Inc. All Rights Reserved

<b>Standard CMOS Setup</b>	<b>Features Setup</b>
Advanced Setup	CPU PnP Setup
Power Management Setup	Hardware Monitor
PCI / Plug and Play Setup	Change Password
Load Optimal Settings	Exit
Load Best Performance Settings	
Esc : Quit    ↑ ↓ ← →: Select Item (Shift)F2 : Change Color    F5 : Old Values F6 : Optimal values                      F7 : Best performance values    F10 : Save&Exit	
Standards CMOS setup for changing time, date, hard disk type, etc.	

You can use the cursor arrow keys to highlight any of the options on the main menu page. Press **Enter** to select the highlighted option. To leave the setup utility, press the **Escape** key. To cycle through the Setup Utility's optional color schemes hold down the **Shift** key and press **F2**.

Some of the options on the main menu page lead to tables of items with installed values. In these pages, use the cursor arrow keys to highlight the items, and then use the **PgUp** and **PgDn** keys to cycle through the alternate values for each of the items. Other options on the main menu page lead to dialog boxes which require you to answer Yes or No by hitting the **Y** or **N** keys.

If you have already made changes to the setup utility, press **F10** to save those changes and exit the utility. Press **F5** to reset the changes to the original values. Press **F6** to install the setup utility with a set of default values. Press **F7** to install the setup utility with a set of high-performance values.

### 3: BIOS Setup Utility

#### Standard CMOS Setup Page

Use this page to set basic information such as the date, the time, the IDE devices, and the diskette drives. If you press the F3 key, the system will automatically detect and configure the hard disks on the IDE channels.

AMIBIOS SETUP – STANDARD CMOS SETUP										
(C) 2000 American Megatrends, Inc. All Rights Reserved										
Date (mm/dd/yy) : Tue Feb 19, 2002										
Time (hh/mm/ss) : 11:27:16										
	Type	Size	Cyln	Head	WPcom	Sec	LBA Mode	Blk Mode	PIO Mode	32Bit Mode
Pri Master	: Auto			On						
Pri Slave	: Auto									On
Sec Master	: Auto									On
Sec Slave	: Auto									On
Floppy Drive A : 1.44 MB 3 1/2										
Floppy Drive B : Not Installed										
Month : Jan – Dec						ESC : Exit				
Day : 01 – 31						↑↓ : Select Item				
Year : 1901 – 2099						PU/PD/+/- : Modify				
						(Shift)F2 : Color				
						F3 : Detect All HDD				

<b>Date &amp; Time</b>	Use these items to set the system date and time
<b>Pri Master</b>	Use these items to configure devices connected to the Primary and Secondary IDE channels. To configure an IDE hard disk drive, choose <i>Auto</i> . If the <i>Auto</i> setting fails to find a hard disk drive, set it to <i>User</i> , and then fill in the hard disk characteristics (Size, Cyls, etc.) manually. If you have a CD-ROM drive, select the setting <i>CDROM</i> . If you have an ATAPI device with removable media (e.g. a ZIP drive or an LS-120) select <i>Floptical</i> .
<b>Pri Slave</b>	
<b>Sec Master</b>	
<b>Sec Slave</b>	
<b>Floppy Drive A</b>	Use these items to set the size and capacity of the floppy diskette drive(s) installed in the system.
<b>Floppy Drive B</b>	

## Mainboard User's Manual

### Advanced Setup Page

Use this page to set more advanced information about your system. Take some care with this page. Making changes can affect the operation of your computer.

AMIBIOS SETUP – ADVANCED SETUP			
(C) 2000 American Megatrends, Inc. All Rights Reserved			
Quick Boot	Enabled	AGP Mode	4X
1 <sup>st</sup> Boot Device	IDE-0	AGP Comp. Driving	Auto
2 <sup>nd</sup> Boot Device	Floppy	Manual AGP Comp. Driving	CB
3 <sup>rd</sup> Boot Device	CDROM	AGP Aperture Size	64MB
Try Other Boot Devices	Yes	CLK Gen Spread Spectrum	Disabled
S.M.A.R.T. for Hard Disks	Disabled	Auto detect PCI Clk	Enabled
BootUp Num-Lock	On	Delay For Hard Drive (Sec.)	4
Floppy Drive Swap	Disabled		
Floppy Drive Seek	Disabled		
PS/2 Mouse Support	Enabled		
Primary Display	VGA/EGA		
Password Check	Setup		
Boot To OS/2>64MB	No	ESC : Quit	↑↓←→ : Select Item
L1 Cache	WriteBack	F1 : Help	PU/PD/+/- : Modify
L2 Cache	Enabled	F5 : Old Values (Shift)	F2 : Color
System BIOS Cacheable	Enabled	F6 : Load BIOS Defaults	
SDRAM Timing by SPD	Disables	F7 : Load Setup Defaults	
SDRAM Frequency	Auto		
SDRAM CAS# Latency	2.5		
SDRAM Bank Interleave	2-Way		

<b>Quick Boot</b>	If you enable this item, the system starts up more quickly by elimination of some of the power on test routines.
<b>1<sup>st</sup> Boot Device</b>	Use these items to determine the device order the computer uses to look for an operating system to load at start-up time.
<b>2<sup>nd</sup> Boot Device</b>	
<b>3<sup>rd</sup> Boot Device</b>	
<b>Try Other Boot Device</b>	If you enable this item, the system will also search for other boot devices if it fails to find an operating system from the first two locations.
<b>S.M.A.R.T. for Hard Disks</b>	Enable this item if any IDE hard disks support the S.M.A.R.T. (Self-Monitoring, Analysis and Reporting Technology) feature.
<b>BootUp Num-Lock</b>	This item determines if the Num Lock key is active or inactive at system start-up time.
<b>Floppy Drive Swap</b>	If you have two diskette drives installed and you enable this item, drive A becomes drive B and drive B becomes drive A.

### 3: BIOS Setup Utility

<b>Floppy Drive Seek</b>	If you enable this item, your system will check all floppy disk drives at start up. Disable this item unless you are using an old 360KB drive.
<b>PS/2 Mouse Support</b>	If this item is set to Enabled, the onboard PS/2 Mouse port will work. Setting this to Disable turns off the port.
<b>Primary Display</b>	This item determines the display devices for the primary display of your computer.
<b>Password Check</b>	If you have entered a password for the system, use this item to determine, if the password is required to enter the Setup Utility ( <i>Setup</i> ) or required both at start-up and to enter the Setup Utility ( <i>Always</i> ).
<b>Boot to OS/2 &gt; 64MB</b>	Enable this item if you are booting the OS/2 operating system and you have more than 64MB of system memory installed.
<b>L1/L2 Cache</b>	Leave these items enabled since all the processors that can be installed on this board have internal cache memory.
<b>System BIOS Cacheable</b>	If you enable this item, a segment of the system BIOS will be cached to main memory for faster execution.
<b>SDRAM Timing by SPD</b>	This item enables or disables the SDRAM timing defined by the Serial Presence Detect electrical.
<b>SDRAM Frequency</b>	This item determines frequency of SDRAM memory.
<b>SDRAM CAS# Latency</b>	This item determines the operation of SDRAM memory CAS (column address strobe). It is recommended that you leave this item at the default value. The 2T setting requires faster memory that specifically supports this mode.
<b>SDRAM Bank Interleave</b>	Enable this item to increase SDRAM memory speed. When enabled, separate memory banks are set for odd and even addresses, and upcoming byte of memory is accessible while refreshing the current byte.
<b>AGP Mode</b>	This item provides the OnBoard VGA mode with three options of 1,2, 4 multiplied frequency.
<b>AGP Comp. Driving</b>	This item signals the auto or manual driving current on AGP cards. Some AGP cards need stronger driving current for operation. We recommend you set this item to be default value.

## Mainboard User's Manual

<b>Manual AGP Comp. Driving</b>	This item decides the AGP current driving value while AGP Driving is set to Manual.
<b>AGP Aperture Size</b>	This option determines the effective size of the AGP Graphic <i>Aperture</i> , where memory-mapped graphic data structures are located.
<b>CLK Gen Spread Spectrum</b>	This item enables the clock to generate spread spectrum.
<b>Auto Detect PCI Clk</b>	When this item is enabled, BIOS will disable the clock signal of free PCI slots.
<b>Delay For Hard Drive (Sec.)</b>	If you enable this item, your hard drive will be delayed for a preset period of time. We recommend that you leave this item at the default value

## Power Management Setup Page

This page sets some of the parameters for system power management operation.

AMIBIOS SETUP – POWER MANAGEMENT SETUP (C) 2000 American Megatrends, Inc. All Rights Reserved		
ACPI Aware O/S	Yes	ESC : Quit      ↑↓←→ : Select Item F1 : Help        PU/PD/+/- : Modify F5 : Old Values (Shift)F2 : Color F6 : Load BIOS Defaults F7 : Load Setup Defaults
Power Management/APM	Enabled	
Video Power Down Mode	Suspend	
Hard Disk Power Down Mode	Stand By	
Standby Time Out (Minute)	Disabled	
Suspend Time Out (Minute)	Disabled	
Resume On PME#/LAN/Ring	Disabled	
PowerOn by KBC	Disabled	
Wake-Up Key	Any Key	
Wake-Up Password	N/A	
PowerOn by RTC Alarm	Disabled	
RTC Alarm Date	15	
RTC Alarm Hour	12	
RTC Alarm Minute	30	
RTC Alarm Second	30	

<b>ACPI Aware O/S</b>	This item supports ACPI (Advanced Configuration and Power management Interface). Use this item to enable or disable the ACPI feature.
<b>Power Management/APM</b>	This item enables or disables a power management scheme. If you enable power management, there are some options for you to decide the power management operation. Both APM and ACPI are supported.



### 3: BIOS Setup Utility

<b>Video Power Down Mode</b>	This item determines a required power-saving mode to power down the graphics sub-system. You can force the graphics to power down in Stand By or Suspend modes, or disable the powerdown.
<b>Hard Disk Power Down Mode</b>	This item determines a required power-saving mode to power down the hard disk drive(s). You can force the hard disk to power down in Stand By or Suspend modes, or disable the powerdown.
<b>Standby Time Out (Minute)</b>	This item sets up the timeout (minutes) for the Standby mode. The computer will be a power-saving Standby mode if the system has been inactive after the setup time.
<b>Suspend Time Out (Minute)</b>	This item sets up the timeout (minutes) for the Suspend mode. The computer will be a power-saving Suspend mode if the system has been inactive after the setup time.
<b>ResumeOn PME#/LAN/Ring</b>	The system can be turned off by a software command. If you enable this item, the system can automatically resume if there is traffic on the onboard network adapter or PCI LAN/Modem card. You must use an ATX power supply in order to perform this feature.
<b>PowerOn by KBC Wake up key Wake up password</b>	If you enable this item, system can automatically resume by pressing hot keys on the keyboard or typing in the password. You must enable the Keyboard Power On jumper and use an ATX power supply in order to use this feature.
<b>PowerOn by RTC Alarm / Date / Hour / Minute / Second</b>	The system can be turned off with a software command. If you enable this item, the system can automatically resume at a fixed time based on the system's RTC (realtime clock). Use the items below this one to set the date and time of the wake-up alarm. You must use an ATX power supply in order to use this feature.

## Mainboard User's Manual

### PCI / Plug and Play Setup Page

This page sets some of the parameters for devices installed on the PCI bus and devices that use the system plug and play capability.

AMIBIOS SETUP – PCI / PLUG AND PLAY SETUP (C) 2000 American Megatrends, Inc. All Rights Reserved	
Plug and Play Aware O/S	Yes
Share Memory Size	32MB
Primary Graphics Adapter	PCI
Allocate IRQ for PCI VGA	Yes
ESC : Quit      ↑↓←→ : Select Item F1 : Help      PU/PD/+/- : Modify F5 : Old Values (Shift)F2 : Color F6 : Load BIOS Defaults F7 : Load Setup Defaults	

<b>Plug and Play Aware O/S</b>	Enable this item if you are using an O/S that supports Plug and Play such as Windows 95 or 98.
<b>Share Memory Size</b>	This item lets you allocate a portion of the main memory for the onboard VGA display application with 8/16/32MB options.
<b>Primary Graphics Adapter</b>	This item indicates if the primary graphics adapter uses the PCI or the AGP bus. The default PCI setting still lets the onboard display work and allows the use of a second display card installed in a PCI slot.
<b>Allocate IRQ for PCI VGA</b>	If this item is enabled, an IRQ will be assigned to the PCI VGA graphics system. You set this value to No to free up an IRQ.

### 3: BIOS Setup Utility

#### **Load Optimal Settings**

If you select this item and press **Enter** a dialog box appears. If you press **Y**, and then **Enter**, the Setup Utility loads a set of fail-safe default values. These default values are not very demanding and they should allow your system to function with most kinds of hardware and memory chips.

*Note: It is highly recommend that users enter this option to load optimal values for accessing the best performance.*

#### **Load Best Performance Settings**

If you select this item and press **Enter** a dialog box appears. If you press **Y**, and then **Enter**, the Setup Utility loads a set of best-performance default values. These default values are quite demanding and your system might not function properly if you are using slower memory chips or other low-performance components.

## Mainboard User's Manual

### Features Setup Page

This page sets some of the parameters for peripheral devices connected to the system.

AMIBIOS SETUP – FEATURES SETUP (C) 2000 American Megatrends, Inc. All Rights Reserved		
OnBoard FDC	Enabled	ESC : Quit      ↑↓←→ : Select Item F1 : Help      PU/PD/+/- : Modify F5 : Old Values (Shift)F2 : Color F6 : Load BIOS Defaults F7 : Load Setup Defaults
OnBoard Serial PortA	3F8h/COM1	
OnBoard IR Port	Disabled	
OnBoard Parallel Port	378h	
Parallel Port Mode	SPP	
Parallel Port IRQ	7	
Parallel Port DMA	N/A	
OnBoard Game Port	201h	
OnBoard MIDI Port	300h	
MIDI Port IRQ	10	
OnBoard IDE	Both	
OnChip LAN	Disabled	
OnBoard AC'97 Audio	Enabled	
OnBoard MC'97 Modem	Auto	
USB Controller	All USB Port	
USB Device Legacy Support	Disabled	
ThumbDrive Support For DOS	Disabled	

<b>OnBoard FDC</b>	This item enables or disables the onboard floppy disk drive interface.
<b>OnBoard Serial PortA</b>	These items enable or disable the onboard COM1 serial port, and assign a port address.
<b>OnBoard IR Port</b>	This item enables or disables the Infrared port, and assigns a port address. If you select a specific address, the resources are assigned to the IR port, and you can use the five items below to determine the operation of the IR port
<b>Onboard Parallel Port</b>	This item enables or disables the onboard LPT1 parallel port, and assigns a port address. The Auto setting will detect and available address.
<b>Parallel Port Mode</b>	This item decides the parallel port mode. You can select SPP (Standard Parallel Port), ECP (Extended Capabilities Port), EPP (Enhanced Parallel Port), or ECP + EPP.
<b>Parallel Port IRQ</b>	This item assigns either IRQ 5 or 7 to the parallel port.

### 3: BIOS Setup Utility

<b>Parallel Port DMA</b>	This item assigns a DMA channel to the parallel port. The options are 0, 1 and 3.
<b>OnBoard Game Port</b>	This item enables or disables the I/O address for the game port.
<b>OnBoard MIDI Port/IRQ</b>	This item enables or disables the onboard MIDI port, and assigns a port address.
<b>MIDI Port IRQ</b>	This item assigns IRQ 5 to the parallel port.
<b>OnBoard IDE</b>	This item enables or disables either or both of the onboard Primary and Secondary IDE channels.
<b>OnChip LAN</b>	This item enables or disables the OnChip LAN.
<b>Onboard AC'97 Audio</b>	This item enables or disables the onboard AC'97 audio chip.
<b>Onboard AC'97 Modem</b>	This item enables or disables the onboard AC'97 modem chip.
<b>USB Controller</b>	Enable this item to select the USB ports or disable.
<b>USB Device Legacy Support</b>	This item enables the USB device, if you have installed a USB device on the system board.
<b>ThumbDrive Support for DOS</b>	Enable this item to make a small portion of memory storage device for the USB ports.

## Mainboard User's Manual

### CPU PnP Setup Page

This page lets you manually configure the mainboard for the CPU. The system will automatically detect the kind of CPU that you have installed and make the appropriate adjustments to the items on this page.

AMIBIOS SETUP – CPU PnP SETUP	
©2000 American Megatrends, Inc. All Rights Reserved	
==CPU PnP Type== CPU Brand CPU Type CPU Bus Frequency	AMD K7 Duron Auto
ESC : Quit      ↑↓←→ : Select Item F1 : Help      PU/PD/+/- : Modify F5 : Old Values (Shift)F2 : Color F6 : Load Optimal values F7 : Load Best performance values	

<b>CPU Brand/Type</b>	These items show brand and type of the CPU installed in your system.
<b>CPU Bus Frequency</b>	This item decides bus frequency of the CPU installed in your system.

### 3: BIOS Setup Utility

#### Hardware Monitor Page

This page sets some of the parameters for the hardware monitoring function of this mainboard.

AMIBIOS SETUP – HARDWARE MONITOR		
(C) 2000 American Megatrends, Inc. All Rights Reserved		
*** System Hardware ***		
Vcore	1.616 V	
Vcc 2.5V	2.496 V	
Vcc 3.3V	3.392 V	
Vcc 5 V	4.972 V	
+12V	11.968V	
-12V	-12.071V	
SB5V	5.026 V	
VBAT	3.488 V	
SYSTEM Fan Speed	0 RPM	
CPU Fan Speed	4560 RPM	
SYSTEM Temperature	38°C/100°F	
CPU Temperature	31°C/ 87°F	
		ESC : Quit      ↑↓←→ : Select Item
		F1 : Help      PU/PD/+/- : Modify
		F5 : Old Values (Shift)F2 : Color
		F6 : Load BIOS Defaults
		F7 : Load Setup Defaults

<b>System / CPU Temperature</b>	These items display CPU and system temperature measurement.
<b>FANs &amp; Voltage Measurements</b>	These items indicate cooling fan speeds in RPM and the various system voltage measurements.

#### Change Password

If you highlight this item and press **Enter**, a dialog box appears which lets you enter a Supervisor password. You can enter no more than six letters or numbers. Press **Enter** after you have typed in the password. A second dialog box asks you to retype the password for confirmation. Press **Enter** after you have retyped it correctly. The password is then required to access the Setup Utility or for that and at start-up, depending on the setting of the Password Check item in Advanced Setup.

## **Mainboard User's Manual**

### **Change or Remove the Password**

Highlight this item, press **Enter** and type in the current password. At the next dialog box, type in the new password, or just press **Enter** to disable password protection.

### **Exit**

Highlight this item and press **Enter** to save the changes that you have made in the Setup Utility configuration and exit the program. When the Save and Exit dialog box appears, press **Y** to save and exit, or press **N** to exit without saving.



## Chapter 4

# Software & Applications

---

### Introduction

This chapter describes the contents of the support CD-ROM that comes with the mainboard package.

The support CD-ROM contains all useful software, necessary drivers and utility programs to properly run our products. More program information is available in a README file, located in the same directory as the software.

To run the support CD, simply insert the CD into your CD-ROM drive. An Auto Setup screen automatically pops out, and then you can go on the auto-installing or manual installation depending on your operating system.

If your operating system is Windows 98/ME/2000/XP, it will automatically install all the drivers and utilities for your mainboard; if Windows NT or manual installation, please follow the instructions described as the Installing under Windows NT or Manual Installation section.

## Mainboard User's Manual

### Installing Support Software

1. Insert the support CD-ROM disc in the CD-ROM drive.
2. When you insert the CD-ROM disc in the system CD-ROM drive, the CD automatically displays an Auto Setup screen.
3. The screen displays three buttons of **Setup**, **Browse CD** and **Exit** on the right side, and three others **Setup**, **Application** and **ReadMe** at the bottom. Please see the following illustration.



The **Setup** button runs the software auto-installing program as explained in next section.

The **Browse CD** button is a standard Windows command that you can check the contents of the disc with the Windows 98 file browsing interface.

The **Exit** button closes the Auto Setup window. To run the program again, reinsert the CD-ROM disc in the drive; or click the CD-ROM driver from the Windows Explorer, and click the Setup icon.

The **Application** button brings up a software menu. It shows the bundled software that this mainboard supports.

The **ReadMe** brings you to the Install Path where you can find out path names of software driver.

## 4: Software & Applications

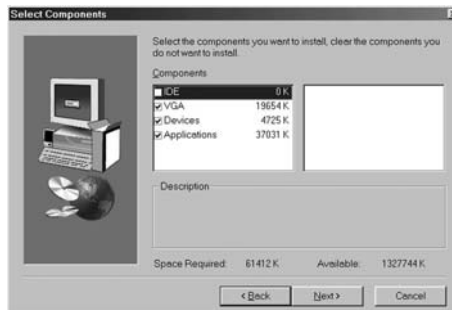
### Auto-Installing under Windows 98/ME/2000/XP

If you are under Windows 98/ME/2000/XP, please click the **Setup** button to run the software auto-installing program while the Auto Setup screen pops out after inserting the support CD-ROM:

1. The installation program loads and displays the following screen. Click the **Next** button.



2. Select the items that you want to setup by clicking on it (the default options are recommended). Click the **Next** button to proceed.



3. The support software will automatically install.

Once any of the installation procedures start, software is automatically installed in sequence. You need to follow the onscreen instructions, confirm commands and allow the computer to restart as few times as needed to complete installing whatever software you selected. When the process is finished, all the support software will be installed and start working.

## Mainboard User's Manual

### Installing under Windows NT or Manual Installation

If you are under Windows NT, the auto-installing program doesn't work out; or you have to do the manual installation, please follow this procedure while the Auto Setup screen pops out after inserting the support CD-ROM:

1. Click the **ReadMe** to bring up a screen, and then click the Install Path at the bottom of the screen.
2. Find out your mainboard model name and click on it to obtain its correct driver directory.
3. Install each software in accordance with the corresponding driver path.

### Bundled Software Information

All bundled software available on the CD-ROM is for users' convenience. You can install bundled software as follows:

1. Click the **Application** button while the Auto Setup screen pops out after inserting the support CD-ROM.
2. A software menu appears. Click the software you want to install.
3. Follow onscreen instructions to install the software program step by step until finished.