

INSTALLATION INSTRUCTIONS 30" (76.2 CM) FREESTANDING GAS RANGES

INSTRUCCIONES DE INSTALACIÓN ESTUFAS AUTÓNOMAS A GAS DE 30" (76,2 CM)

Table of Contents/Índice

<p>RANGE SAFETY2</p> <p>INSTALLATION REQUIREMENTS3</p> <p> Tools and Parts3</p> <p> Location Requirements3</p> <p> Electrical Requirements5</p> <p> Gas Supply Requirements5</p> <p>INSTALLATION INSTRUCTIONS7</p> <p> Unpack Range.....7</p> <p> Install Anti-Tip Bracket.....7</p> <p> Make Gas Connection8</p> <p> Verify Anti-Tip Bracket Location9</p> <p> Level Range.....9</p> <p> Electronic Ignition System10</p> <p> Complete Installation11</p> <p>GAS CONVERSIONS.....12</p> <p> LP Gas Conversion12</p> <p> Complete Conversion14</p> <p> Natural Gas Conversion14</p> <p> Complete Conversion15</p>	<p>SEGURIDAD DE LA ESTUFA.....16</p> <p>REQUISITOS DE INSTALACIÓN17</p> <p> Piezas y herramientas17</p> <p> Requisitos de ubicación17</p> <p> Requisitos eléctricos19</p> <p> Requisitos del suministro de gas19</p> <p>INSTRUCCIONES DE INSTALACIÓN.....21</p> <p> Desempaque la estufa21</p> <p> Instalación del soporte anti-vuelco21</p> <p> Conexión del suministro de gas.....22</p> <p> Verificación de la ubicación del soporte anti-vuelco24</p> <p> Nivelación de la estufa24</p> <p> Sistema de encendido electrónico24</p> <p> Complete la instalación26</p> <p>CONVERSIONES DE GAS27</p> <p> Conversión de gas L.P.27</p> <p> Complete la conversión29</p> <p> Conversión de gas natural29</p> <p> Complete la conversión31</p>
--	--

IMPORTANT:

Installer: Leave installation instructions with the homeowner.
Homeowner: Keep installation instructions for future reference.

IMPORTANTE:

Instalador: Deje las instrucciones de instalación con el propietario.
Propietario: Conserve las instrucciones de instalación para referencia futura.

W10477535A

RANGE SAFETY

Your safety and the safety of others are very important.

We have provided many important safety messages in this manual and on your appliance. Always read and obey all safety messages.



This is the safety alert symbol.

This symbol alerts you to potential hazards that can kill or hurt you and others.

All safety messages will follow the safety alert symbol and either the word "DANGER" or "WARNING." These words mean:

⚠ DANGER

You can be killed or seriously injured if you don't immediately follow instructions.

⚠ WARNING

You can be killed or seriously injured if you don't follow instructions.

All safety messages will tell you what the potential hazard is, tell you how to reduce the chance of injury, and tell you what can happen if the instructions are not followed.

WARNING: If the information in this manual is not followed exactly, a fire or explosion may result causing property damage, personal injury or death.

- Do not store or use gasoline or other flammable vapors and liquids in the vicinity of this or any other appliance.
- **WHAT TO DO IF YOU SMELL GAS:**
 - Do not try to light any appliance.
 - Do not touch any electrical switch.
 - Do not use any phone in your building.
 - Immediately call your gas supplier from a neighbor's phone. Follow the gas supplier's instructions.
 - If you cannot reach your gas supplier, call the fire department.
- Installation and service must be performed by a qualified installer, service agency or the gas supplier.

WARNING: Gas leaks cannot always be detected by smell.

Gas suppliers recommend that you use a gas detector approved by UL or CSA.

For more information, contact your gas supplier.

If a gas leak is detected, follow the "What to do if you smell gas" instructions.

In the State of Massachusetts, the following installation instructions apply:

- Installations and repairs must be performed by a qualified or licensed contractor, plumber, or gasfitter qualified or licensed by the State of Massachusetts.
- If using a ball valve, it shall be a T-handle type.
- A flexible gas connector, when used, must not exceed 3 feet.

⚠ WARNING

Tip Over Hazard

A child or adult can tip the range and be killed.

Connect anti-tip bracket to rear range foot.

Reconnect the anti-tip bracket, if the range is moved.

Failure to follow these instructions can result in death or serious burns to children and adults.



INSTALLATION REQUIREMENTS

Tools and Parts

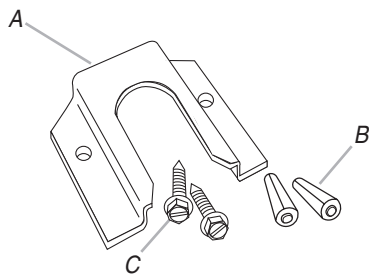
Gather the required tools and parts before starting installation. Read and follow the instructions provided with any tools listed here.

Tools needed

- Level
- $\frac{3}{8}$ " drive ratchet
- Tape measure
- Flat-blade screwdriver
- Phillips screwdriver
- Hand or electric drill
- Wrench or pliers
- 7 mm combination wrench
- Pipe wrench
- $\frac{1}{8}$ " (3.2 mm) drill bit (for wood floors)
- $\frac{3}{16}$ " (4.8 mm) carbide-tipped masonry drill bit (for concrete/ceramic floors)
- Pipe-joint compound resistant to LP gas
- Noncorrosive leak-detection solution

Parts supplied

Check that all parts are included.



A. Anti-tip bracket
B. Plastic anchors (2)
C. #10 x $\frac{1}{2}$ " screws (2)

- Bag containing literature.
- Conversion orifice spuds (inside bag containing literature).
- Anti-tip bracket must be securely mounted to subfloor. Thickness of flooring may require longer screws to anchor bracket to subfloor. Longer screws are available from your local hardware store.

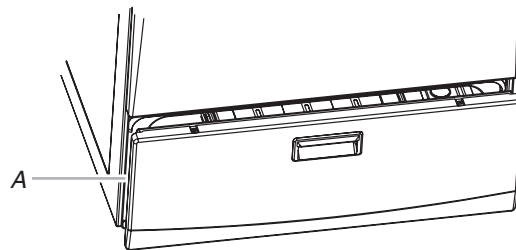
Parts needed

Check local codes and consult gas supplier. Check existing gas supply and electrical supply. See "Electrical Requirements" and "Gas Supply Requirements" sections.

Location Requirements

IMPORTANT: Observe all governing codes and ordinances. Do not obstruct flow of combustion and ventilation air.

- It is the installer's responsibility to comply with installation clearances specified on the model/serial rating plate. The model/serial rating plate is located on the oven frame behind the left side of the broiler door.



A. Model/serial rating plate location

- The range should be located for convenient use in the kitchen.
- Recessed installations must provide complete enclosure of the sides and rear of the range.
- To eliminate the risk of burns or fire by reaching over heated surface units, cabinet storage space located above the surface units should be avoided. If cabinet storage is to be provided, the risk can be reduced by installing a range hood that projects horizontally a minimum of 5" (12.7 cm) beyond the bottom of the cabinets.
- All openings in the wall or floor where range is to be installed must be sealed.
- Do not seal the range to the side cabinets.
- Cabinet opening dimensions that are shown must be used. Given dimensions are minimum clearances.
- The floor anti-tip bracket must be installed. To install the anti-tip bracket shipped with the range, see "Install Anti-Tip Bracket" section.
- Grounded electrical supply is required. See "Electrical Requirements" section.
- Proper gas supply connection must be available. See "Gas Supply Requirements" section.
- Contact a qualified floor covering installer to check that the floor covering can withstand at least 200°F (93°C).
- Use an insulated pad or $\frac{1}{4}$ " (0.64 cm) plywood under range if installing range over carpeting.

IMPORTANT: To avoid damage to your cabinets, check with your builder or cabinet supplier to make sure that the materials used will not discolor, delaminate or sustain other damage. This oven has been designed in accordance with the requirements of UL and CSA International and complies with the maximum allowable wood cabinet temperatures of 194° (90°C).

Mobile Home - Additional Installation Requirements

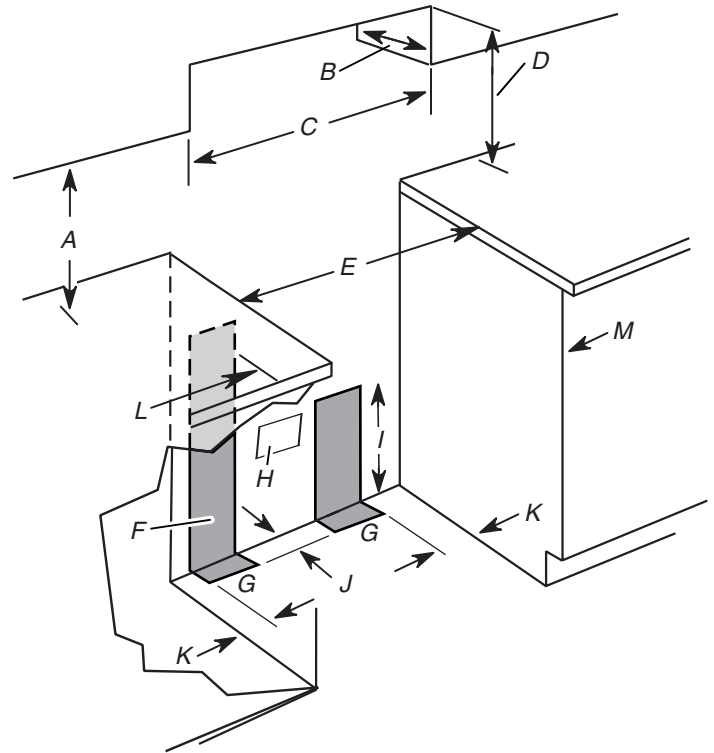
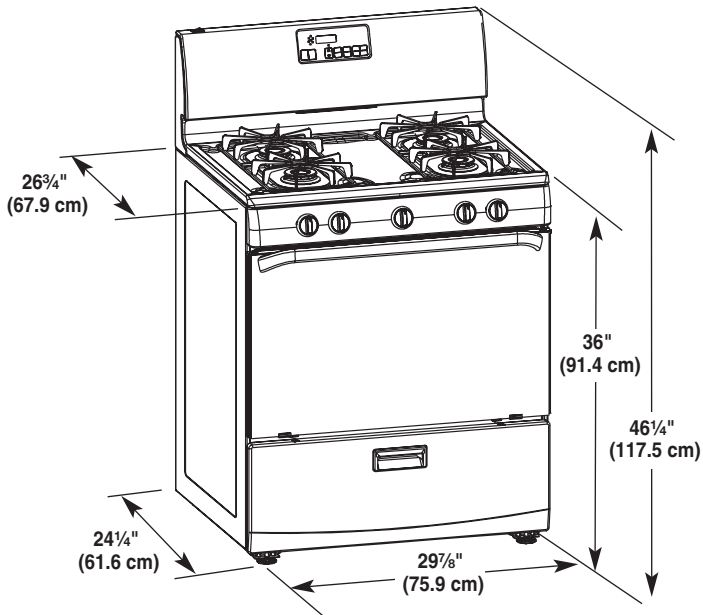
The installation of this range must conform to the Manufactured Home Construction and Safety Standard, Title 24 CFR, Part 3280 (formerly the Federal Standard for Mobile Home Construction and Safety, Title 24, HUD Part 280). When such standard is not applicable, use the Standard for Manufactured Home Installations, ANSI A225.1/NFPA 501A or with local codes.

Mobile home installations require:

- When this range is installed in a mobile home, it must be secured to the floor during transit. Any method of securing the range is adequate as long as it conforms to the standards listed above.

Product Dimensions

Freestanding Range



- A. 18" (45.7 cm) upper side cabinet to countertop
- B. 13" (33 cm) max. upper cabinet depth
- C. 30" (76.2 cm) min. opening width
- D. For minimum clearance to top of cooktop, see NOTE*.
- E. 30 1/8" (76.5 cm) min. opening width
- F. This shaded area recommended for installation of rigid gas pipe.
- G. 8" (20.3 cm)
- H. Grounded outlet
- I. 17" (43.2 cm)
- J. 4 1/2" (11.4 cm)
- K. 2" (5.1 cm)
- L. 2" (5.1 cm) min. clearance from both sides of range to side wall or other combustible material.

Cabinet Dimensions

Cabinet opening dimensions shown are for 25" (64.0 cm) countertop depth, 24" (61.0 cm) base cabinet depth and 36" (91.4 cm) countertop height.

If the cabinet depth is greater than 24" (61.0 cm), oven frame must extend beyond cabinet fronts by 1/2" (1.3 cm) minimum.

IMPORTANT: If installing a range hood or microwave hood combination above the range, follow the range hood or microwave hood combination installation instructions for dimensional clearances above the cooktop surface.

*NOTE: 24" (61.0 cm) minimum when bottom of wood or metal cabinet is covered by not less than 1/4" (0.64 cm) flame retardant millboard covered with not less than No. 28 MSG sheet steel, 0.015" (0.4 mm) stainless steel, 0.024" (0.6 mm) aluminum or 0.020" (0.5 mm) copper.

30" (76.2 cm) minimum clearance between the top of the cooking platform and the bottom of an uncovered wood or metal cabinet.

Electrical Requirements

⚠ WARNING



Electrical Shock Hazard

- Plug into a grounded 3 prong outlet.
- Do not remove ground prong.
- Do not use an adapter.
- Do not use an extension cord.
- Failure to follow these instructions can result in death, fire, or electrical shock.

IMPORTANT: The range must be electrically grounded in accordance with local codes and ordinances, or in the absence of local codes, with the National Electrical Code, ANSI/NFPA 70, latest edition.

If codes permit and a separate ground wire is used, it is recommended that a qualified electrical installer determine that the ground path is adequate.

A copy of the above code standards can be obtained from:

National Fire Protection Association
1 Batterymarch Park
Quincy, MA 02169-7471

CSA International
8501 East Pleasant Valley Road
Cleveland, OH 44131-5575

- A 120 volt, 60 Hz., AC only, 15-amp fused, electrical circuit is required. A time-delay fuse or circuit breaker is also recommended. It is recommended that a separate circuit serving only this range be provided.
- This range is equipped with a power supply cord having a 3 prong ground plug. To minimize possible shock hazard the cord must be plugged into a grounded 3 prong outlet.
- Electronic ignition systems operate within wide voltage limits, but proper grounding and polarity are necessary. Check that the outlet provides 120-volt power and is correctly grounded.

This range is equipped with an electronic ignition system that will not operate if plugged into an outlet that is not properly polarized.
- The wiring diagram is located on the back of the range in a clear plastic bag.

NOTE: The metal chassis of the range must be grounded in order for the control panel to work. If the metal chassis of the range is not grounded, no keypads will operate. Check with a qualified electrician if you are in doubt as to whether the metal chassis of the range is grounded.

Gas Supply Requirements

⚠ WARNING



Explosion Hazard

- Use a new CSA International approved gas supply line.
- Install a shut-off valve.
- Securely tighten all gas connections.
- If connected to LP, have a qualified person make sure gas pressure does not exceed 14" (36 cm) water column.
- Examples of a qualified person include:
licensed heating personnel,
authorized gas company personnel, and
authorized service personnel.
- Failure to do so can result in death, explosion, or fire.

Observe all governing codes and ordinances.

IMPORTANT: This installation must conform with all local codes and ordinances. In the absence of local codes, installation must conform with American National Standard, National Fuel Gas Code ANSI Z223.1 - latest edition or CAN/CGA B149 - latest edition.

IMPORTANT: Leak testing of the range must be conducted according to the manufacturer's instructions.

Type of Gas

Natural gas:

This range is design-certified by CSA International for use with Natural gas or, after proper conversion, for use with LP gas.

- This range is factory set for use with Natural gas. See "Gas Conversions" section. The model/serial rating plate located on the oven frame behind the left side of the broiler door has information on the types of gas that can be used. If the types of gas listed do not include the type of gas available, check with the local gas supplier.

LP gas conversion:

Conversion must be done by a qualified service technician.

No attempt shall be made to convert the appliance from the gas specified on the model/serial rating plate for use with a different gas without consulting the serving gas supplier. See "Gas Conversions" section.

Gas Supply Line

- Provide a gas supply line of 3/4" (1.9 cm) rigid pipe to the range location. A smaller size pipe on longer runs may result in insufficient gas supply. With LP gas, piping or tubing size can be 1/2" (1.3 cm) minimum. Usually, LP gas suppliers determine the size and materials used in the system.

NOTE: Pipe-joint compounds that resist the action of LP gas must be used. Do not use TEFLON[®] tape.

Flexible metal appliance connector:

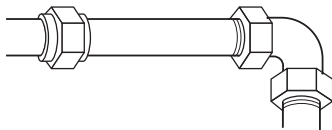
- If local codes permit, a new CSA design-certified, 4 to 5 ft (122 to 152.4 cm) long, 1/2" (1.3 cm) or 3/4" (1.9 cm) I.D., flexible metal appliance connector may be used for connecting range to the gas supply line.



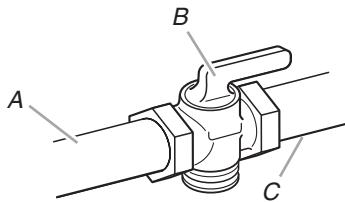
- A 1/2" (1.3 cm) male pipe thread is needed for connection to the female pipe threads of the inlet to the appliance pressure regulator.
- Do not kink or damage the flexible metal tubing when moving the range.

Rigid pipe connection:

The rigid pipe connection requires a combination of pipe fittings to obtain an in-line connection to the range. The rigid pipe must be level with the range connection. All strains must be removed from the supply and fuel lines so range will be level and in line.



- Must include a shutoff valve:
The supply line must be equipped with a manual shutoff valve. This valve should be located in the same room but external to the range opening, such as an adjacent cabinet. It should be in a location that allows ease of opening and closing. Do not block access to shutoff valve. The valve is for turning on or shutting off gas to the range.



A. Gas supply line
B. Shutoff valve "open" position
C. To range

Gas Pressure Regulator

The gas pressure regulator supplied with this range must be used. The inlet pressure to the regulator should be as follows for proper operation:

Natural gas:

Minimum pressure: 5" WCP

Maximum pressure: 14" WCP

LP gas:

Minimum pressure: 11" WCP

Maximum pressure: 14" WCP

Contact local gas supplier if you are not sure about the inlet pressure.

Burner Input Requirements

Input ratings shown on the model/serial rating plate are for elevations up to 2,000 ft (609.6 m).

For elevations above 2,000 ft (609.6 m), ratings are reduced at a rate of 4% for each 1,000 ft (304.8 m) above sea level (not applicable for Canada).

Gas Supply Pressure Testing

Gas supply pressure for testing regulator must be at least 1" water column pressure above the manifold pressure shown on the model/serial rating plate.

Line pressure testing above 1/2 psi gauge (14" WCP)

The range and its individual shutoff valve must be disconnected from the gas supply piping system during any pressure testing of that system at test pressures in excess of 1/2 psi (3.5 kPa).

Line pressure testing at 1/2 psi gauge (14" WCP) or lower

The range must be isolated from the gas supply piping system by closing its individual manual shutoff valve during any pressure testing of the gas supply piping system at test pressures equal to or less than 1/2 psi (3.5 kPa).

INSTALLATION INSTRUCTIONS

Unpack Range

! WARNING

Excessive Weight Hazard

Use two or more people to move and install range.
Failure to do so can result in back or other injury.

1. Do not use oven door handle to lift or move the range.
2. Remove shipping materials, tape and film from range. Keep cardboard bottom under range.
3. Remove oven racks and parts package from inside oven.
4. To place range on its back, take 4 cardboard corners from the carton. Stack one cardboard corner on top of another. Repeat with the other 2 corners. Place them lengthwise on the floor behind the range to support the range when it is laid on its back.
5. Using 2 or more people, firmly grasp the range and gently lay it on its back on the cardboard corners.
6. Pull cardboard bottom firmly to remove.
7. Use an adjustable wrench to loosen the leveling legs. Adjust the leveling legs to the correct height. Leveling legs can be loosened to add up to a maximum of 1" (2.5 cm). A minimum of $\frac{3}{16}$ " (0.5 cm) is needed to engage the anti-tip bracket.
NOTE: If height adjustment is made when range is standing, tilt the range back to adjust the front legs, then tilt forward to adjust the rear legs.
8. Place cardboard or hardboard in front of range. Using 2 or more people, stand range back up onto cardboard or hardboard.

Install Anti-Tip Bracket

! WARNING



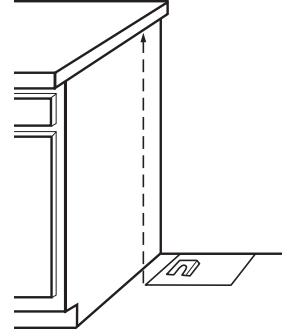
Tip Over Hazard

A child or adult can tip the range and be killed.
Connect anti-tip bracket to rear range foot.
Reconnect the anti-tip bracket, if the range is moved.
Failure to follow these instructions can result in death or serious burns to children and adults.

Contact a qualified floor covering installer for the best procedure for drilling mounting holes through your type of floor covering. Before moving range, slide range onto shipping base, cardboard or hardboard.

1. Remove template from the anti-tip bracket kit (found inside the oven cavity).

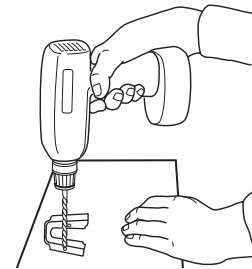
2. Place template on the floor in cabinet opening so that the left edge is against cabinet and top edge is against rear wall, molding or cabinet.
3. Tape template into place.
4. If countertop is not flush with cabinet opening edge, align template with overhang.



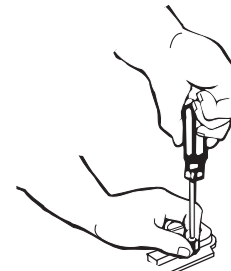
If cabinet opening is wider than that specified in the "Location Requirements" section, adjust template so range will be centered in cabinet opening.

5. To mount anti-tip bracket to wood floor, drill two $\frac{1}{8}$ " (0.32 cm) holes at the positions marked on the bracket template. Remove template from floor and move to Step 6.

To mount the anti-tip bracket to a concrete or ceramic floor, use a $\frac{3}{16}$ " (0.5 cm) masonry drill bit to drill 2 holes at the positions marked on the bracket template. Remove the template from the floor. Tap plastic anchors into holes with a hammer.



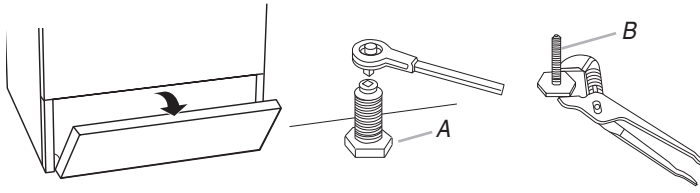
6. Align the anti-tip bracket holes with the holes in the floor. Fasten the anti-tip bracket with the screws provided.



Depending on the thickness of your flooring, longer screws may be necessary to anchor the bracket to the subfloor. Longer screws are available from your local hardware store.

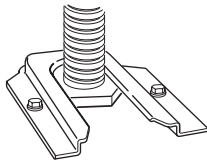
7. Move range close enough to the opening to allow for final electrical connection. Remove shipping base, cardboard or hardboard from under range.

- Open the broiler door. Use a $\frac{3}{8}$ " drive ratchet to lower the rear leveling legs one-half turn. Use a wrench or pliers to lower the front leveling legs one-half turn.



A. Rear leveling leg
B. Front leveling leg

- Adjust the leveling legs to the correct height. Leveling legs can be loosened to add up to a maximum of 1" (2.5 cm). A minimum of $\frac{3}{16}$ " (0.5 cm) is needed to engage the anti-tip bracket.
- Move range into its final location, making sure rear leveling leg slides into anti-tip bracket.



- If installing the range in a mobile home, you must secure the range to the floor. Any method of securing the range is adequate as long as it conforms to the standards in the "Location Requirements" section.
- Continue installing your range using the following installation instructions.

Make Gas Connection

⚠ WARNING



Explosion Hazard

Use a new CSA International approved gas supply line.

Install a shut-off valve.

Securely tighten all gas connections.

If connected to LP, have a qualified person make sure gas pressure does not exceed 14" (36 cm) water column.

Examples of a qualified person include:

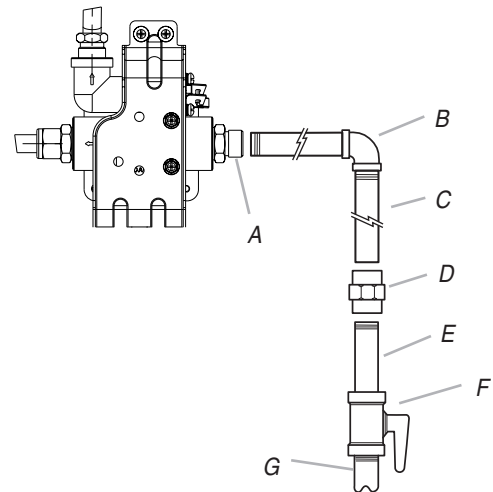
licensed heating personnel,
authorized gas company personnel, and
authorized service personnel.

Failure to do so can result in death, explosion, or fire.

Typical rigid pipe connection

A combination of pipe fittings must be used to connect the range to the existing gas line. Your connections may be different, according to the supply line type, size and location.

- Apply pipe-joint compound made for use with LP gas to all pipe thread connections.
- Using a pipe wrench to tighten, connect the gas supply to the range.



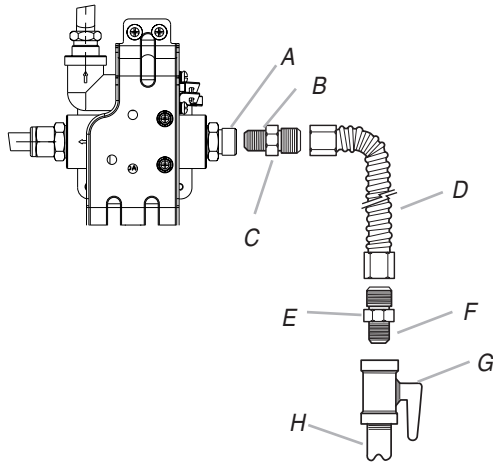
A. Pressure regulator connection fitting
B. 90° elbow
C. Black iron pipe

D. Union
E. Nipple
F. Manual shutoff valve
G. $\frac{1}{2}$ " or $\frac{3}{4}$ " gas pipe

Typical flexible connection

- Apply pipe-joint compound made for use with LP gas to the smaller thread ends of the flexible connector adapters (see B and F in the following illustration).
- Attach one adapter to the gas pressure regulator and the other adapter to the gas shutoff valve. Tighten both adapters.

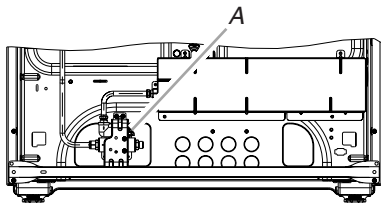
- Use a combination wrench and pliers to attach the flexible connector to the adapters. Check that connector is not kinked.



- A. Pressure regulator connection fitting
 B. Use pipe-joint compound.
 C. Adapter
 D. Flexible connector
 E. Adapter
 F. Use pipe-joint compound.
 G. Manual shutoff valve
 H. 1/2" or 3/4" gas pipe

Complete Connection

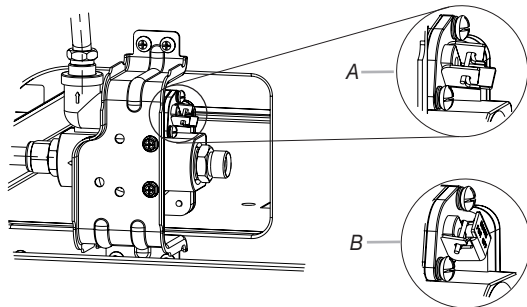
- Locate gas pressure regulator in the back of the range.



A. Gas pressure regulator

IMPORTANT: Do not remove the gas pressure regulator.

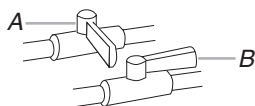
- Check that the gas pressure regulator shutoff valve is in the "ON" position.



A. "On" position
 B. "Off" position

IMPORTANT: The factory default setting is the "ON" position. If the range does not work, verify that the valve is in the "ON" position.

- Open the manual shutoff valve in the gas supply line. The valve is open when the handle is parallel to the gas pipe.



A. Closed valve
 B. Open valve

- Test all connections by brushing on an approved noncorrosive leak-detection solution. Bubbles will show a leak. Correct any leak found.
- Remove cooktop burner caps and grates from parts package. Align notches in burner caps with pins in burner base. Burner caps should be level when properly positioned. If burner caps are not properly positioned, surface burners will not light. Place burners, burner caps and grates on the cooktop.

⚠ WARNING



Electrical Shock Hazard

Plug into a grounded 3 prong outlet.

Do not remove ground prong.

Do not use an adapter.

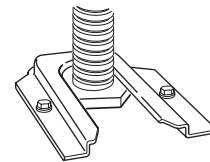
Do not use an extension cord.

Failure to follow these instructions can result in death, fire, or electrical shock.

- Plug into a grounded 3 prong outlet.

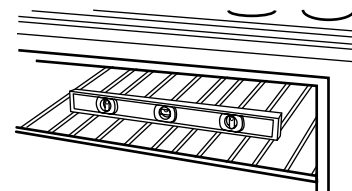
Verify Anti-Tip Bracket Location

- Check that the anti-tip bracket is installed:
 - Look for the anti-tip bracket securely attached to the floor.
 - Slide the range back so the rear range foot is under the anti-tip bracket.



Level Range

- Place rack in oven.
- Place level on rack and check levelness of range, first side to side; then front to back.



- If range is not level, pull range forward until rear leveling leg is removed from the anti-tip bracket. Use 3/8" drive ratchet and wrench or pliers to adjust leveling legs up or down until range is level.
- Push range back into position.
- Check that rear leveling leg is engaged in anti-tip bracket.

NOTE: Range must be level for satisfactory baking performance.

Electronic Ignition System

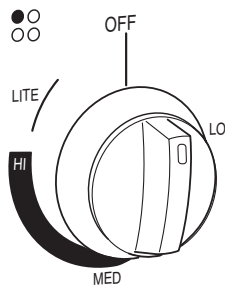
Initial lighting and gas flame adjustments

Cooktop and oven burners use electronic igniters in place of standing pilots. When the cooktop control knob is turned to the "LITE" position, the system creates a spark to light the burner. This sparking continues until the control knob is turned to the desired setting.

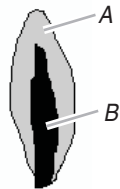
When the oven control is turned to the desired setting, a hot surface igniter heats to a bright orange and ignites the gas. No sparking occurs. The glow bar remains on while the burner operates.

Check Operation of Cooktop Burners

1. If control panel and knobs were removed earlier, reinstall knobs.
2. Push in and turn each surface unit control knob to "LITE" position. The flame should light within 4 seconds.



3. Turn control knob to "HI" position after burner lights.
4. Check each cooktop burner for proper flame. The small inner flame should have a very distinct blue flame $\frac{1}{4}$ " (0.64 cm) to $\frac{1}{2}$ " (0.13 cm) long. The outer cone is not as distinct as the inner cone.

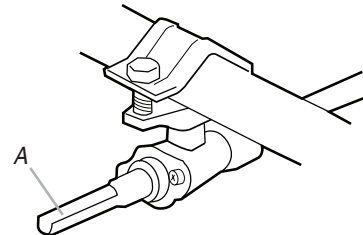


A. Outer cone
B. Inner cone

5. Turn the control knob quickly to the "LO" position after the burner lights. If the flame goes out, turn the control knob to the "OFF" position.
6. Check each cooktop burner for proper low flame. The low flame should be a minimum, steady blue flame. The flame size should be $\frac{1}{4}$ " to $\frac{3}{8}$ " (0.64 cm to 0.95 cm) high.

If the low flame needs adjusting:

1. Turn control knob to the "Lo" setting and remove control knob.
2. Insert a small flat-blade screwdriver into the valve stem. Turn the valve adjusting screw to obtain the smallest flame that will not go out when the control of a cold burner is quickly turned from "HI" to "Lo." Turn right to decrease flame height. Turn left to increase flame height. Repeat for other cooktop burners as needed.



A. Valve stem

3. Replace control knob.

Check Operation of Oven/Broil Burner

Electronic oven control (on some models):

1. Open broiler door.
2. Press the "BAKE" pad.
 - The "BAKE" indicator will light.
 - "350" will appear in the display.
3. Press the START/ENTER pad.
 - The "TEMP" and "ON" indicators will appear.
 - The display will show the automatic countdown time (10 minutes) needed to preheat the oven for selected temperature.
 - The oven burner should light in 20-40 seconds; this delay is normal. The oven valve requires a certain time before it will open and allow gas to flow. The oven burner will burn until oven temperature has reached 350°F. After 20-40 seconds, the oven burner will begin to cycle on and off to maintain the 350°F temperature.

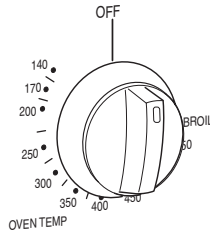
Broil burner and oven burner are the same burner. Check the broil function as follows:

1. Press the "BROIL" pad.
 - "525" will appear in the display.
 - The "BROIL" indicator will light.
2. Press the START/ENTER pad.
 - The "TEMP" and "ON" indicators will appear.
 - The oven burner should light in 20-40 seconds; this delay is normal. The oven valve requires a certain time before it will open and allow gas to flow. To avoid damaging the hot surface igniter, do not insert any object into the openings of the shield that surrounds the igniter or clean that area.
3. Check the oven burner for proper flame. The flame should be $\frac{1}{2}$ " (1.3 cm) long, with inner cone of bluish-green. The outer mantle should be dark blue and should be clean and soft in character. No yellow tips (not enough air), blowing or lifting (too much air) of flame should occur.

Manifold panel oven control (on some models):

1. Open broiler door.
2. Push and turn the oven control knob to 350°F. The oven burner should light in 20-40 seconds. This delay is normal. The oven valve requires a certain time before it will open and allow gas to flow. The oven burner will burn until oven temperature has reached 350°F. After 20-40 seconds, the oven burner will begin to cycle on and off to maintain the 350°F temperature. Make this verification with the knob in the "BROIL" position.

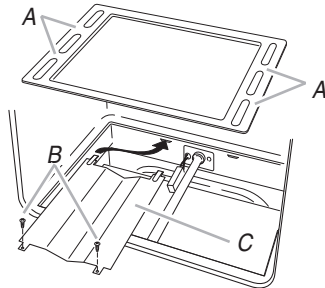
To avoid damaging the hot surface igniter, do not insert any object into the openings of the shield that surrounds the igniter or clean that area.



3. Check the oven burner for proper flame. The flame should be 1/2" (1.3 cm) long, with inner cone of bluish-green. The outer mantle should be dark blue and should be clean and soft in character. No yellow tips (not enough air), blowing or lifting (too much air) of flame should occur.

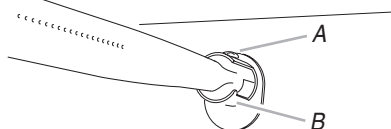
If the flame needs adjusting:

1. Turn the oven off. Wait for the oven burner to cool down.
2. Open oven door and remove oven racks, oven tray, and flame spreader and set aside.



- A. Oven tray (lift up at area shown to remove)
- B. Screws
- C. Flame spreader

3. Locate the air shutter near the rear wall of oven and loosen the shutter screw.



- A. Shutter screw
- B. Air shutter

4. Adjust the air shutter.
5. Turn the oven back on and check for proper flame. If the flame is still not properly adjusted, turn the oven off, wait for the oven burner to cool down and repeat Step 4 until flame is properly adjusted.
6. When the flame has been properly adjusted, turn the oven off, wait for the burner to cool down.
7. Tighten the shutter screw.
8. Reinstall flame spreader and oven tray. Reinstall the oven racks and close oven door.
9. Close the broiler door.

Complete Installation

1. Check that all parts are now installed. If there is an extra part, go back through the steps to see which step was skipped.
2. Check that you have all of your tools.
3. Dispose of/recycle all packaging materials.
4. Check that the range is level. See the "Level Range" section.
5. Use a mild solution of liquid household cleaner and warm water to remove waxy residue caused by shipping material. Dry thoroughly with a soft cloth. For more information, see the "Range Care" section of the Use and Care Guide or User Instructions.
6. Read the Use and Care Guide or User Instructions.
7. Turn on surface burners and oven. See the Use and Care Guide or User Instructions for specific instruction on range operation.

If range does not operate, check the following:

- Household fuse is intact and tight, or circuit breaker has not tripped.
 - Range is plugged into a grounded 3 prong outlet.
 - Electrical supply is connected.
 - See "Troubleshooting" in the Use and Care Guide or User Instructions.
8. When the range has been on for 5 minutes, check for heat. If the range is cold, turn off the range and check that the gas supply line shutoff valve is open.
 - If the gas supply line shutoff valve is closed, open it, then repeat the 5-minute test as outlined above.
 - If the gas supply line shutoff valve is open, press the CANCEL button on the oven control panel and contact a qualified technician.

If you need Assistance or Service:

Please reference the "Assistance or Service" section of the Use and Care Guide or the cover of the User Instructions, or contact the dealer from whom you purchased your range.

GAS CONVERSIONS

Gas conversions from Natural gas to LP gas or from LP gas to Natural gas must be done by a qualified installer.

⚠️ WARNING



Explosion Hazard

Use a new CSA International approved gas supply line.

Install a shut-off valve.

Securely tighten all gas connections.

If connected to LP, have a qualified person make sure gas pressure does not exceed 14" (36 cm) water column.

Examples of a qualified person include:

licensed heating personnel,
authorized gas company personnel, and
authorized service personnel.

Failure to do so can result in death, explosion, or fire.

LP Gas Conversion

⚠️ WARNING



Tip Over Hazard

A child or adult can tip the range and be killed.

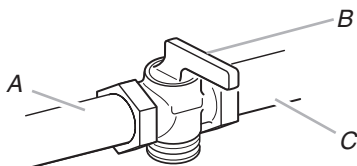
Connect anti-tip bracket to rear range foot.

Reconnect the anti-tip bracket, if the range is moved.

Failure to follow these instructions can result in death or serious burns to children and adults.

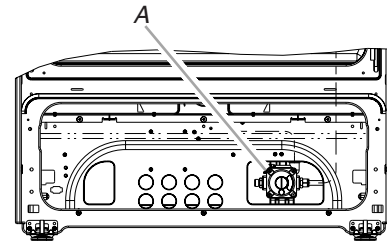
To Convert Gas Pressure Regulator

1. Turn manual shutoff valve to the "closed" position.



A. To range
B. Manual shutoff valve "closed" position
C. Gas supply line

2. Unplug range or disconnect power.
3. Open broiler door and remove broiler pan. The gas pressure regulator is located in the back right hand corner of the broiler compartment.



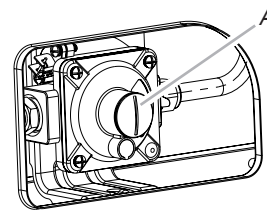
A. Gas pressure regulator

IMPORTANT: Do not remove the gas pressure regulator.

NOTE: Do not remove the spring beneath the cap.

4. Remove the cap from the gas pressure regulator using a flat-blade screwdriver.

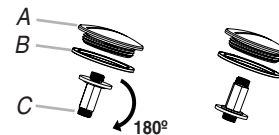
NOTE: Make sure sealing washer remains in the same position.



A. Cap

5. To convert to LP gas, unscrew the plastic adjustment screw by hand, turn it over, and screw it in again.

Inlet pressure to Natural gas **Inlet pressure to LP gas**

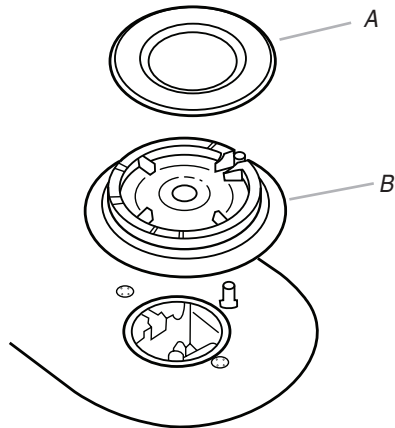


A. Cap
B. Sealing washer
C. Adjustment screw

6. Reinstall the cap.

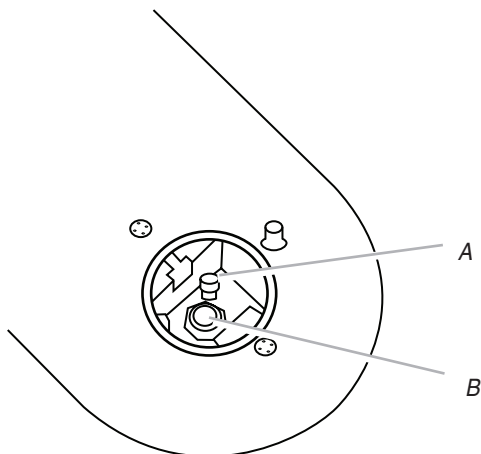
To Convert Surface Burners

1. Remove burner grate, burner caps and burners.



A. Burner cap
B. Burner

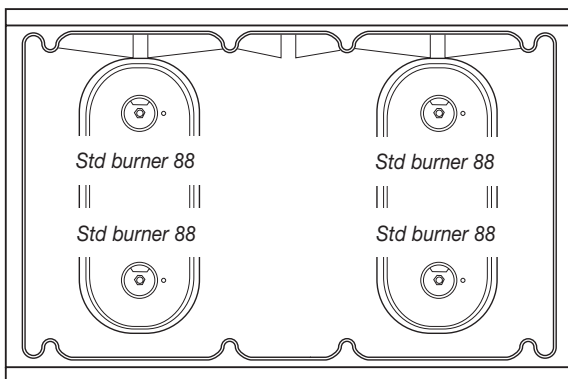
2. Locate LP gas orifice spuds for top burners in the literature bag included with the range. Three LP gas spuds are stamped "88" and one "96."
3. Remove Natural gas orifice spuds using a 7 mm combination wrench.
4. Install LP gas orifice spuds using a 7 mm combination wrench.



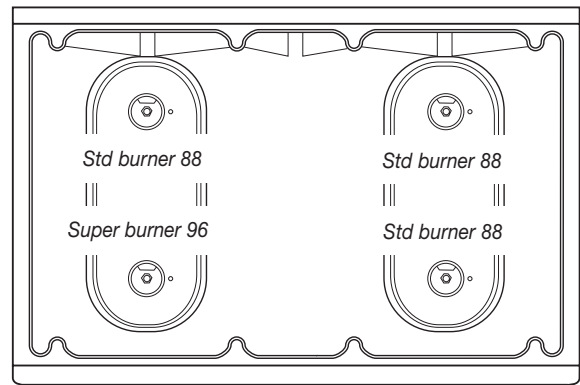
A. Spud
B. Holder

NOTE: Depending on model, the range cooktop may be equipped with 4 standard burners or 3 standard burners and 1 super burner. Spud size and location remain the same.

For models with 4 standard burners:



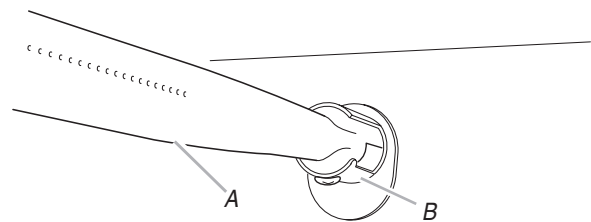
For models with 3 standard burners and 1 super burner:



5. Place the Natural gas orifice spuds in the parts bag for future use and keep with the bag containing literature.
6. Reinstall burners, burner caps and burner grates.

To Convert Oven Burner

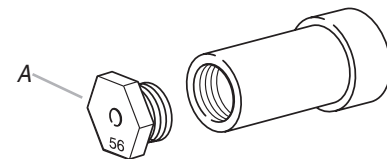
1. Open the oven door and remove oven racks, oven tray and flame spreader and set aside.
2. Lift oven burner. The orifice spud is behind the oven burner air shutter.



A. Oven burner
B. Air shutter

3. Locate LP gas orifice spud stamped "56" in the package containing literature supplied with the range.
4. Use a $\frac{3}{8}$ " combination wrench and remove the Natural gas orifice spud.
5. Install the number "56" LP gas spud.

IMPORTANT: Do not overtighten.



A. LP oven orifice spud stamped with "56"

6. Place Natural gas oven burner spud in plastic parts bag along with Natural gas cooktop burner spuds for future use and keep with the package containing literature.
7. Reinstall oven burner.
8. Reinstall oven racks, oven tray and flame spreader.

Complete Conversion

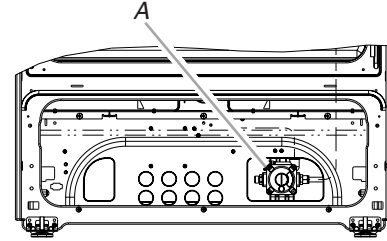
1. Refer to the "Make Gas Connection" section for properly connecting the range to the gas supply.
2. Turn the manual shutoff valve in the gas supply line to the open position.
3. Refer to "Check Operation of Cooktop Burners" in the "Electronic Ignition System" section for proper burner ignition, operation and burner flame adjustments.

IMPORTANT: You may have to adjust the "LO" setting for each cooktop burner.

Checking for proper cooktop and oven burner flames is very important. The small inner cone should have a very distinct blue flame $\frac{1}{4}$ " to $\frac{1}{2}$ " (0.64 cm to 1.3 cm) long. The outer cone is not as distinct as the inner cone. LP gas flames have a slightly yellow tip.

4. Close the oven door and turn the knob to "OFF."
5. Refer to the "Complete Installation" section to complete this procedure.

3. Open broiler door and remove broiler pan. The gas pressure regulator is located in the back right hand corner of the broiler compartment.



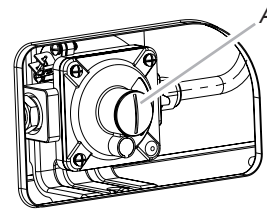
A. Gas pressure regulator

IMPORTANT: Do not remove the gas pressure regulator.

NOTE: Do not remove the spring beneath the cap.

4. Remove the cap from the gas pressure regulator using a flat-blade screwdriver.

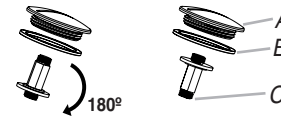
NOTE: Make sure sealing washer remains in the same position.



A. Cap

5. To convert to Natural gas, unscrew the plastic adjustment screw by hand, turn it over, and screw it in again.

Inlet pressure to LP gas **Inlet pressure to Natural gas**



A. Cap

B. Sealing washer

C. Adjustment screw

6. Reinstall the cap.

Natural Gas Conversion

WARNING



Tip Over Hazard

A child or adult can tip the range and be killed.

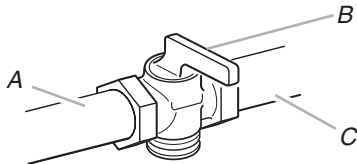
Connect anti-tip bracket to rear range foot.

Reconnect the anti-tip bracket, if the range is moved.

Failure to follow these instructions can result in death or serious burns to children and adults.

To Convert Gas Pressure Regulator

1. Turn manual shutoff valve to the "closed" position.



A. To range

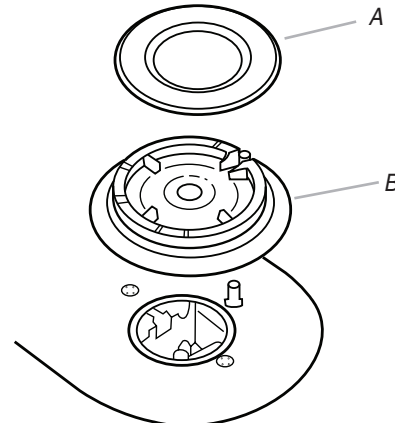
B. Manual shutoff valve "closed" position

C. Gas supply line

2. Unplug range or disconnect power.

To Convert Surface Burners

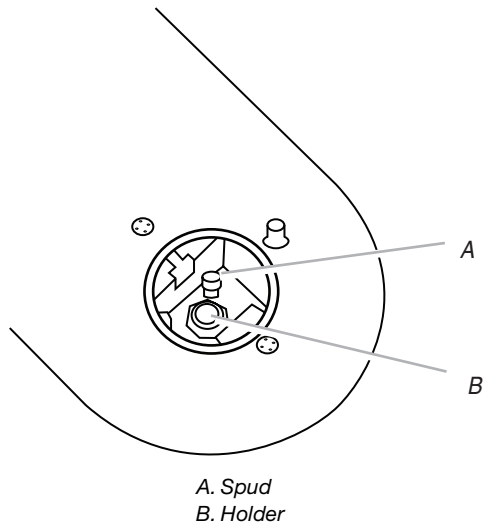
1. Remove burner grate, burner caps and burners.



A. Burner cap

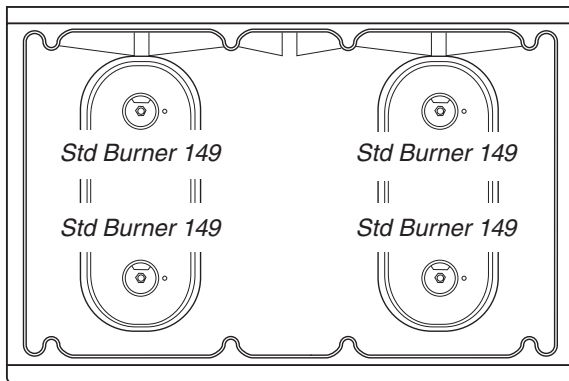
B. Burner

2. Locate the Natural gas orifice spuds for top burners in the package containing literature included with the range. Three Natural gas spuds are stamped "149" and one "165."
3. Remove the LP gas orifice spuds using a 7 mm combination wrench.
4. Install the Natural gas orifice spuds using a 7 mm combination wrench.

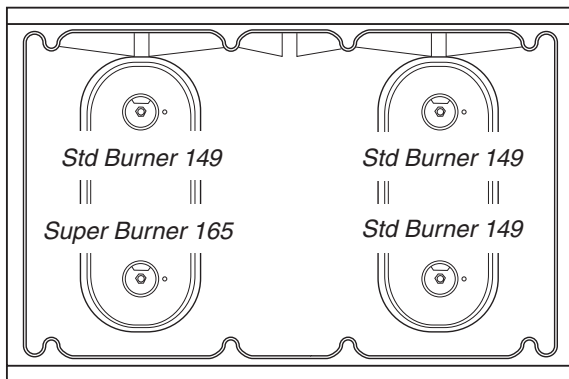


NOTE: Depending on model, the range cooktop may be equipped with 4 standard burners or 3 standard burners and 1 super burner. Spud size and location remain the same.

For models with 4 standard burners:



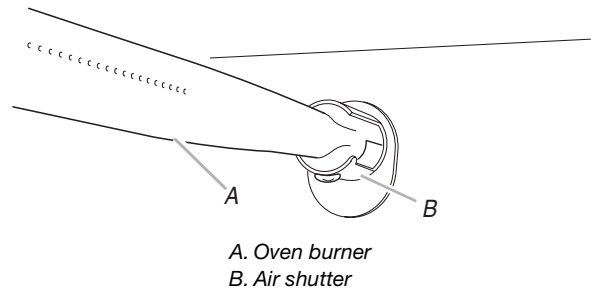
For models with 3 standard burners and 1 super burner:



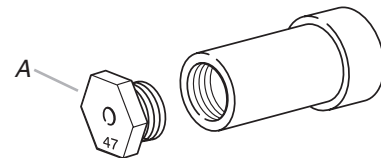
5. Place LP gas orifice spuds in the parts bag for future use and keep with the package containing literature.
6. Reinstall burners, burner caps and burner grates.

To Convert Oven Burner

1. Open the oven door and remove oven racks, oven tray, and flame spreader and set aside.
2. Lift oven burner. The orifice spud is behind the oven burner air shutter.



3. Locate Natural gas orifice spud stamped "47" in the package containing literature supplied with the range.
4. Use a $\frac{3}{8}$ " combination wrench and remove the LP gas orifice spud.
5. Install the number "47" LP gas spud.



IMPORTANT: Do not overtighten.

6. Place LP gas oven burner spud in plastic parts bag along with LP gas cooktop burner spuds for future use and keep with the bag containing literature.
7. Reinstall oven burner.
8. Reinstall oven racks, oven tray and flame spreader.

Complete Conversion

1. Refer to the "Make Gas Connection" section for properly connecting the range to the gas supply.
2. Turn the manual shutoff valve in the gas supply line to the open position.
3. Refer to "Check Operation of Cooktop Burners" in the "Electronic Ignition System" section for proper burner ignition, operation and burner flame adjustments.

IMPORTANT: You may have to adjust the "LO" setting for each cooktop burner.

Checking for proper cooktop and oven burner flames is very important. The small inner cone should have a very distinct blue flame $\frac{1}{4}$ " to $\frac{1}{2}$ " (0.64 cm to 1.3 cm) long. The outer cone is not as distinct as the inner cone. Natural gas flames do not have yellow tips.

4. Close the oven door and turn the knob to "OFF."
5. Refer to the "Complete Installation" section to complete this procedure.

SEGURIDAD DE LA ESTUFA

Su seguridad y la seguridad de los demás es muy importante.

Hemos incluido muchos mensajes importantes de seguridad en este manual y en su electrodoméstico. Lea y obedezca siempre todos los mensajes de seguridad.



Este es el símbolo de advertencia de seguridad.

Este símbolo le llama la atención sobre peligros potenciales que pueden ocasionar la muerte o una lesión a usted y a los demás.

Todos los mensajes de seguridad irán a continuación del símbolo de advertencia de seguridad y de la palabra "PELIGRO" o "ADVERTENCIA". Estas palabras significan:

 **PELIGRO**

Si no sigue las instrucciones de inmediato, usted puede morir o sufrir una lesión grave.

 **ADVERTENCIA**

Si no sigue las instrucciones, usted puede morir o sufrir una lesión grave.

Todos los mensajes de seguridad le dirán el peligro potencial, le dirán cómo reducir las posibilidades de sufrir una lesión y lo que puede suceder si no se siguen las instrucciones.

ADVERTENCIA: Si la información en este manual no se sigue con exactitud, podría ocurrir un incendio o una explosión, lo que causaría daños a propiedades, heridas personales o la muerte.

- No almacene o use gasolina u otros líquidos y vapores inflamables cerca de este u otro aparato electrodoméstico.
- **PASOS QUE USTED DEBE SEGUIR SI HUELE A GAS:**
 - No trate de encender ningún aparato electrodoméstico.
 - No toque ningún interruptor eléctrico.
 - No use ningún teléfono en su casa o edificio.
 - Llame inmediatamente a su proveedor de gas desde el teléfono de un vecino.
Siga las instrucciones de su proveedor de gas.
 - Si usted no puede comunicarse con su proveedor de gas, llame al departamento de bomberos.
- La instalación y el servicio deben ser efectuados por un instalador calificado, una agencia de servicio o por el proveedor de gas.

ADVERTENCIA: Las pérdidas de gas no siempre se pueden detectar por el olfato.

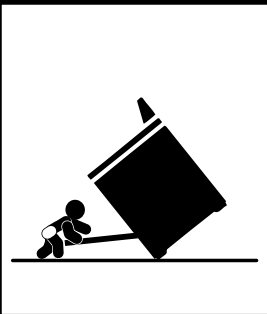
Los proveedores de gas recomiendan que usted use un detector de gas aprobado por UL (Laboratorio de normalización) o CSA (Asociación canadiense de seguridad).

Para obtener más información, póngase en contacto con su proveedor de gas.

Si se detecta una fuga de gas, siga las instrucciones de "Pasos que usted debe seguir si huele a gas".

En el estado de Massachusetts se aplican las siguientes instrucciones de instalación:

- Las instalaciones y reparaciones se deben efectuar por un contratista, plomero o gasista calificado o licenciado por el estado de Massachusetts.
- Si se usa una válvula de bola, debe ser un tipo de manigueta T.
- Si se usa un conector de gas flexible no debe exceder de 3 pies.



⚠ ADVERTENCIA

Peligro de Vuelco

Un niño o un adulto puede volcar accidentalmente la estufa y resultar muerto.

Conecte el soporte anti-vuelco a la pata trasera de la estufa.

Si traslada de lugar la estufa, vuelva a conectar el soporte anti-vuelco.

No seguir estas instrucciones puede ocasionar la muerte o quemaduras graves en niños y adultos.

REQUISITOS DE INSTALACIÓN

Piezas y herramientas

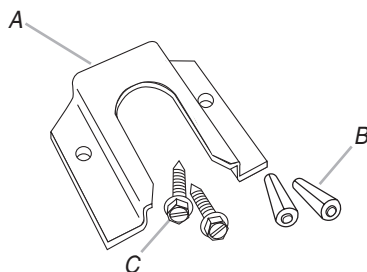
Reúna las herramientas y piezas necesarias antes de comenzar la instalación. Lea y siga las instrucciones provistas con cualquiera de las herramientas enlistadas aquí.

Herramientas necesarias

- Nivel
- Trinquete de accionamiento de $\frac{3}{8}$ "
- Cinta para medir
- Destornillador de hoja plana
- Destornillador Phillips
- Taladro manual o eléctrico
- Llave de tuerca o pinzas
- Llave de combinación de 7 mm
- Llave para tubos
- Broca de $\frac{1}{8}$ " (3,2 mm) (para pisos de madera)
- Broca para albañilería con punta de carburo de $\frac{3}{16}$ " (4,8 mm) (para pisos de concreto/cerámica)
- Pegamento para tuberías resistente a gas L.P.
- Solución para detectar fugas, que no sea corrosiva

Piezas suministradas

Verifique que estén todas las piezas.



A. Soporte anti-vuelco
B. Taquetes de plástico (2)
C. Tornillos #10 x $\frac{1}{2}$ " (2)

- Bolsa con material impreso
- Espitas de los orificios para la conversión (dentro de la bolsa con material impreso).
- El soporte anti-vuelco debe estar montado en el contrapiso firmemente. Según el espesor del piso, es posible que sea necesario utilizar tornillos más largos para sujetar el soporte al contrapiso. Puede conseguir tornillos más largos en su ferretería local.

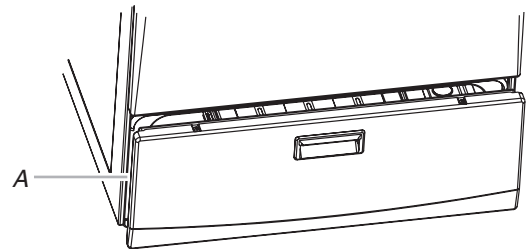
Piezas necesarias

Verifique los códigos locales y consulte con el proveedor de gas. Verifique el suministro de gas existente y el suministro eléctrico. Vea las secciones "Requisitos eléctricos" y "Requisitos del suministro de gas".

Requisitos de ubicación

IMPORTANTE: Observe todos los códigos y reglamentos aplicables. No obstruya el flujo de aire para la combustión y la ventilación.

- Es la responsabilidad del instalador cumplir con los espacios de instalación especificados en la placa con la clasificación de modelo/serie. La placa indicadora de modelo/serie está ubicada en el marco del horno, detrás del lado izquierdo de la puerta del asador.



A. Ubicación de la placa con clasificación de modelo/serie

- Deberá colocarse la estufa en un lugar conveniente de la cocina para su uso.
- Las instalaciones empotradas deberán proveer un recinto cerrado de los lados y la parte posterior de la estufa.
- Para eliminar el riesgo de quemaduras o incendio al tocar unidades con la superficie demasiado caliente, deberá evitarse el uso de armarios de almacenaje encima de las unidades. Si van a proveerse armarios, puede reducir el riesgo instalando una capota de ventilación que se proyecte horizontalmente un mínimo de 5" (12,7 cm) sobresaliendo de la base de los armarios.
- Deberán sellarse todas las aberturas en la pared o en el piso en donde se instalará la estufa.
- No selle la estufa a los armarios laterales.

- Deben usarse las dimensiones de la abertura del armario que se muestran. Las dimensiones proporcionadas son los espacios mínimos.
- Debe instalarse el soporte anti-vuelco del piso. Para instalar el soporte anti-vuelco enviado con la estufa, vea la sección "Instalación del soporte anti-vuelco".
- Se requiere un suministro eléctrico conectado a tierra. Vea la sección "Requisitos eléctricos".
- Deberá haber una conexión adecuada del suministro de gas. Vea la sección "Requisitos del suministro de gas".
- Póngase en contacto con un instalador calificado de revestimiento de pisos para cerciorarse de que el revestimiento del piso puede soportar por lo menos 200°F (93°C).
- Use una almohadilla aislante o una madera laminada de ¼" (0,64 cm) debajo de la estufa si va a instalar la estufa sobre una alfombra.

IMPORTANTE: Para evitar daños a sus armarios, verifique con el constructor o distribuidor de armarios para asegurarse de que los materiales que se usen no se descoloren, astillen ni sufran ningún otro tipo de daño. Este horno ha sido diseñado de acuerdo a los requisitos de UL y CSA International, y cumple con las temperaturas máximas permitidas para armarios de madera de 194°F (90°C).

Requisitos de instalación adicionales para las casas rodantes

La instalación de esta estufa debe ajustarse al Estándar de seguridad y construcción de casas fabricadas, Título 24 CFR, Parte 3280 (anteriormente conocido como Estándar federal para la seguridad y construcción de casas rodantes, Título 24, HUD Parte 280). Cuando no sea aplicable ese estándar, use el Estándar para instalaciones en casas fabricadas, ANSI A225.1/ NFPA 501A u obedezca los códigos locales.

Las instalaciones en casas rodantes necesitan:

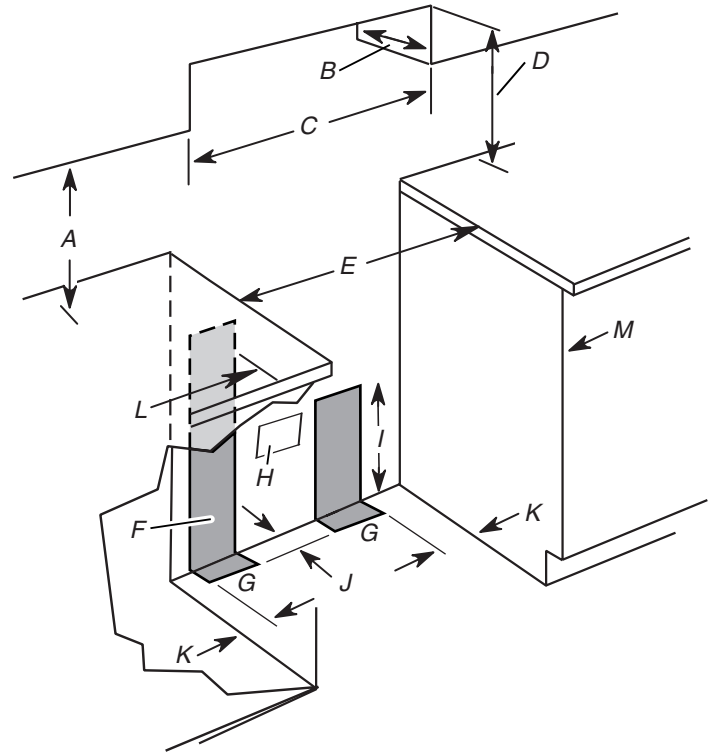
- Cuando se instale la estufa en una casa rodante, deberá asegurarse al piso durante el transporte. Cualquier método de fijación es adecuado en tanto cumpla con las normas indicadas arriba.

Medidas del armario

Las dimensiones de la abertura del armario que se muestran son para una profundidad del mostrador de 25" (64,0 cm), profundidad de la base del armario de 24" (61,0 cm) y una altura del mostrador de 36" (91,4 cm).

Si la profundidad del armario es mayor de 24" (61,0 cm), deberá extenderse el marco del horno más allá de los frentes del armario por un mínimo de ½" (1,3 cm).

IMPORTANTE: Si va a instalar una campana para estufa o una combinación microondas campana sobre la estufa, siga las instrucciones de instalación incluidas con la campana para estufa o la combinación microondas campana para las medidas de espacio sobre la superficie de cocción.



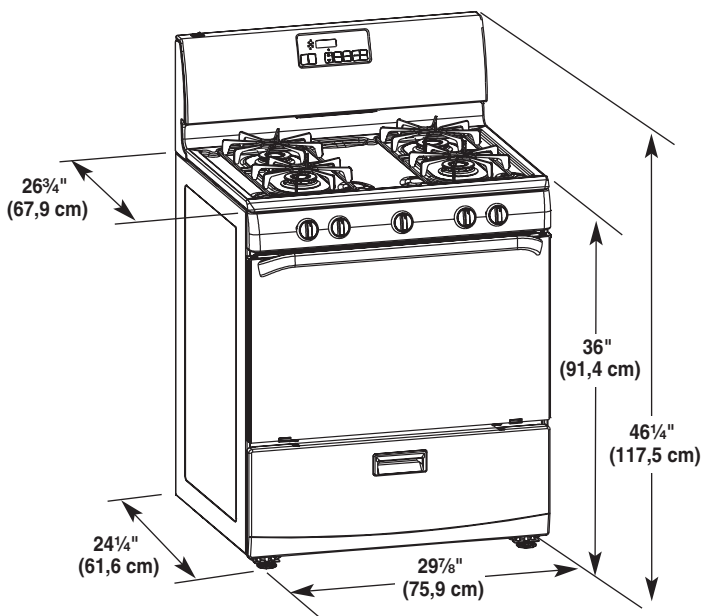
- A. 18" (45,7 cm) del armario superior al mostrador
- B. 13" (33 cm) profundidad máxima del armario superior
- C. 30" (76,2 cm) ancho mínimo de la abertura
- D. Para ver el espacio mínimo hasta la parte superior de la superficie de cocción, vea la NOTA*.
- E. 30 1/8" (76,5 cm) ancho mínimo de la abertura
- F. Se recomienda esta área sombreada para la instalación de la tubería de gas rígida.
- G. 8" (20,3 cm)
- H. Contacto con conexión a tierra
- I. 17" (43,2 cm)
- J. 4 1/2" (11,4 cm)
- K. 2" (5,1 cm)
- L. Espacio mínimo de 2" (5,1 cm) de ambos lados de la estufa para la pared lateral u otro material combustible.

*NOTA: 24" (61,0 cm) mínimo cuando la base del armario de madera o de metal esté protegida por cartón retardante a las llamas de no menos de ¼" (0,64 cm), cubierto de lámina de acero de no menos de N° 28 MSG, acero inoxidable de 0,015" (0,4 mm), aluminio de 0,024" (0,6 mm) o cobre de 0,020" (0,5 mm).

30" (76,2 cm) de espacio mínimo entre la parte superior de la plataforma de la superficie de cocción y la base de un armario de madera o metal desprotegido.

Medidas del producto

Estufa autónoma



Requisitos eléctricos

⚠ ADVERTENCIA



Peligro de Choque Eléctrico

Conecte a un contacto de pared de conexión a tierra de 3 terminales.

No quite la terminal de conexión a tierra.

No use un adaptador.

No use un cable eléctrico de extensión.

No seguir estas instrucciones puede ocasionar la muerte, incendio o choque eléctrico.

IMPORTANTE: La estufa deberá estar conectada a tierra de acuerdo con los códigos y ordenanzas locales, o en la ausencia de códigos locales, con el Código Nacional Eléctrico (National Electrical Code), ANSI/NFPA 70, última edición.

Si los códigos lo permiten y se emplea un alambre de conexión a tierra separado, es recomendable que un instalador eléctrico calificado determine si la trayectoria de conexión a tierra es adecuada.

Usted puede obtener una copia de todas las normas arriba indicadas en:

National Fire Protection Association
1 Batterymarch Park
Quincy, MA 02169-7471

CSA International
8501 East Pleasant Valley Road
Cleveland, OH 44131-5575

- Se necesita un circuito eléctrico de 120 voltios, 60 hertzios, CA solamente, de 15 amperios y protegido con fusible. Se recomienda también un fusible retardador o un cortacircuitos. Asimismo se recomienda el uso de un circuito independiente que preste servicio únicamente a esta estufa.
- Esta estufa viene equipada con un cable eléctrico dotado de un enchufe con tres terminales y conexión a tierra. Para reducir al mínimo el peligro de posibles choques eléctricos, el cable debe ser enchufado en un contacto de pared de tres terminales conectado a tierra.
- Los sistemas de encendido electrónico funcionan dentro de amplios límites de voltaje, pero se debe tener la conexión a tierra y polaridad correctas. Verifique que el contacto tenga una capacidad para 120 voltios y que esté debidamente conectado a tierra.

Esta estufa está equipada con un sistema de encendido electrónico que no funcionará si se enchufa en un contacto que no está debidamente polarizado.

- El diagrama de cableado está ubicado en la parte posterior de la estufa, en una bolsa de plástico transparente.

NOTA: El armazón de metal de la estufa deberá conectarse a tierra para que funcione el panel de control. Si no se conecta a tierra el armazón de metal, ningún botón funcionará. Verifique con un electricista calificado si tiene dudas acerca de si está conectado a tierra el armazón de la estufa.

Requisitos del suministro de gas

⚠ ADVERTENCIA



Peligro de Explosión

Use una línea de suministro de gas nueva con aprobación de CSA International.

Instale una válvula de cierre.

Apriete firmemente todas las conexiones de gas.

Si se conecta a un suministro de gas LP, la presión no debe exceder una columna de agua de 36 cm (14") y debe ser verificada por una persona calificada.

Ejemplos de una persona calificada incluyen:

personal de servicio del sistema de calefacción con licencia,
personal autorizado de la compañía de gas, y
personal autorizado para dar servicio.

No seguir estas instrucciones puede ocasionar la muerte, explosión o incendio.

Observe todos los códigos y reglamentos aplicables.

IMPORTANTE: Esta instalación debe hacerse de acuerdo con todos los códigos y ordenanzas locales. Si no hay códigos locales, la instalación deberá hacerse de acuerdo al Código Nacional Estadounidense (American National Standard), el Código Nacional de Gas Combustible (National Fuel Gas Code), ANSI Z223.1- última edición o CAN/CGA B149 - última edición.

IMPORTANTE: La prueba de fugas de la estufa deberá efectuarse según las instrucciones del fabricante.

Tipo de gas

Gas natural:

El diseño de esta estufa está certificado por CSA International para gas natural o, después de la conversión apropiada, para usarse con gas L.P.

- Esta estufa está preparada de fábrica para uso con gas natural. Vea la sección "Conversiones de gas". La placa con el número de modelo/serie, ubicada en el marco del horno, detrás del lado izquierdo de la puerta del asador, tiene información acerca de los tipos de gas que pueden usarse. Si la lista de tipos de gas no incluye el tipo de gas disponible, averigüe con el distribuidor de gas de su localidad.

Conversión de gas L.P.:

La conversión deberá llevarla a cabo un técnico de servicio calificado.

No se deberá hacer intento alguno para convertir el aparato del gas especificado en la placa de clasificación del modelo/serie para utilizar un gas distinto sin consultar con el abastecedor de gas. Vea la sección "Conversiones de gas".

Línea de suministro de gas

- Provea una línea de suministro de gas de tubería rígida de $\frac{3}{4}$ " (1,9 cm) hacia la ubicación de la estufa. Una tubería de tamaño más pequeño en tendidos más largos puede traer como consecuencia un suministro de gas insuficiente. Con el gas LP, el tamaño de la tubería puede ser de un mínimo de $\frac{1}{2}$ " (1,3 cm). Por lo general, los proveedores de suministro de gas LP determinan el tamaño y los materiales a usarse en el sistema.

NOTA: Deben usarse compuestos para uniones de tubería que sean resistentes a la acción del gas LP. No utilice cinta TEFLON^{®†}.

Conector flexible de metal del aparato:

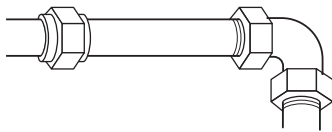
- Si los códigos locales lo permiten, puede usarse un conector de metal flexible para aparatos nuevo, con diseño certificado de CSA, de 4 a 5 pies (122 a 152,4 cm) de largo, diámetro interno de $\frac{1}{2}$ " (1,3 cm) ó $\frac{3}{4}$ " (1,9 cm) para conectar la estufa a la línea de suministro de gas.



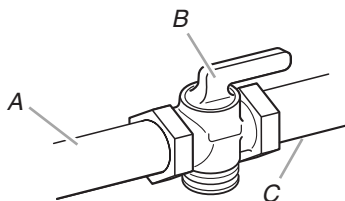
- Se necesita una rosca macho para tubería de $\frac{1}{2}$ " (1,3 cm) para conectar las roscas hembra de la entrada al regulador de presión del aparato.
- No tuerza ni dañe la tubería de metal flexible cuando mueva la estufa.

Conexión de tubería rígida:

La conexión de tubería rígida requiere una combinación de accesorios de tubería para obtener una conexión en línea hacia la estufa. La tubería rígida deberá estar nivelada con la conexión de la estufa. Deberán quitarse todas las torceduras de las líneas de suministro y de combustible para que la estufa esté nivelada y alineada.



- Debe tener una válvula de cierre:
La línea de suministro deberá equiparse con una válvula de cierre manual. Esta válvula deberá estar ubicada en la misma habitación pero fuera de la abertura donde se encuentra la estufa, como un armario adyacente. Deberá estar en una ubicación que permita un fácil acceso para abrir y cerrar. No bloquee el acceso a la válvula de cierre. La válvula es para abrir o cerrar el suministro de gas a la estufa.



A. Línea de suministro de gas
B. Válvula de cierre en posición "abierta"
C. A la estufa

Regulador de la presión de gas

Deberá usarse el regulador de la presión de gas suministrado con esta estufa. Para el funcionamiento adecuado, la presión de entrada al regulador deberá ser como se indica a continuación:

Gas natural:

Presión mínima: 5" WCP

Presión máxima: 14" WCP

Gas LP:

Presión mínima: 11" WCP

Presión máxima: 14" WCP

Póngase en contacto con el proveedor de gas de su localidad si no está seguro acerca de la presión de entrada.

Requisitos de entrada del quemador

Los rangos de entrada que se muestran en la placa de clasificación del modelo/serie son para elevaciones de hasta 2.000 pies (609,6 m).

Para elevaciones mayores de 2.000 pies (609,6 m), los rangos se reducen a un ritmo de 4 % por cada 1.000 pies (304,8 m) por encima del nivel del mar (no es aplicable para Canadá).

Prueba de presión del suministro de gas

La presión del suministro de gas para un regulador de prueba debe ser de al menos 1" de la presión de la columna de agua sobre la presión del múltiple, que se muestra en la placa indicadora del modelo/serie.

Prueba de presión de la línea por encima de $\frac{1}{2}$ lb/pulg² manométrica (presión de la columna de agua de 14")

La estufa y su válvula de cierre individual deberán ser desconectadas del sistema de tubería del suministro de gas durante toda prueba de presión efectuada en dicho sistema a presiones de prueba mayores de $\frac{1}{2}$ lb/pulg² (3,5 kPa).

Prueba de presión de la línea a $\frac{1}{2}$ lb/pulg² (presión de una columna de agua de 14") o menor

La estufa deberá aislarse del sistema de tubería del suministro de gas cerrando la válvula de cierre individual manual durante toda prueba de presión efectuada en dicho sistema a presiones de prueba iguales o menores de $\frac{1}{2}$ lb/pulg² (3,5 kPa).

†TEFLON es una marca registrada de E.I. Du Pont De Nemours and Company.

INSTRUCCIONES DE INSTALACIÓN

Desempaque la estufa

⚠️ ADVERTENCIA

Peligro de peso excesivo

Use dos o más personas para mover e instalar la estufa.

No seguir esta instrucción puede ocasionar una lesión en la espalda u otro tipo de lesiones.

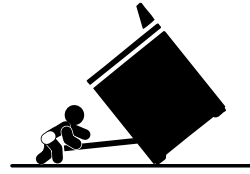
1. No use la agarradera de la puerta del horno para levantar o mover la estufa.
2. Quite los materiales de envío, la cinta adhesiva y la película de la estufa. Mantenga la base de cartón debajo de la estufa.
3. Saque las parrillas del horno y el paquete de piezas del interior del horno.
4. Para colocar la estufa sobre su parte posterior, tome los 4 esquinales de cartón de la caja. Apile un esquinale de cartón sobre el otro. Repita con los otros 2 esquinales. Colóquelos a lo largo, sobre el piso, detrás de la estufa para protegerla cuando se coloque sobre su parte posterior.
5. Con la ayuda de 2 o más personas, agarre la estufa con firmeza y colóquela suavemente sobre su parte posterior, en los esquinales de cartón.
6. Jale la base de cartón con firmeza para quitarla.
7. Use una llave de tuercas ajustable para aflojar las patas niveladoras. Ajuste las patas niveladoras para corregir la altura. Las patas niveladoras pueden aflojarse para agregar un máximo de 1" (2,5 cm). Se necesita un mínimo de $\frac{3}{16}$ " (0,5 mm) para encajar el soporte anti-vuelco.

NOTA: Si se ajusta la altura cuando la estufa está de pie, inclínela hacia atrás para ajustar las patas delanteras y luego inclínela hacia delante para ajustar las patas traseras.

8. Coloque el cartón o madera frente a la estufa. Con la ayuda de 2 o más personas, coloque la estufa de pie nuevamente sobre el cartón o madera.

Instalación del soporte anti-vuelco

⚠️ ADVERTENCIA



Peligro de Vuelco

Un niño o un adulto puede volcar accidentalmente la estufa y resultar muerto.

Conecte el soporte anti-vuelco a la pata trasera de la estufa.

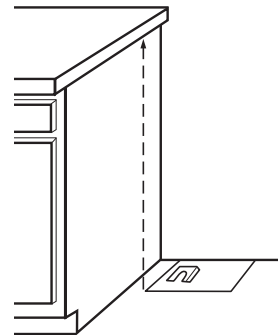
Si traslada de lugar la estufa, vuelva a conectar el soporte anti-vuelco.

No seguir estas instrucciones puede ocasionar la muerte o quemaduras graves en niños y adultos.

Póngase en contacto con un instalador competente de revestimiento de pisos para ver cuál es el mejor procedimiento para perforar orificios de montaje a través del tipo de revestimiento de pisos que usted tenga.

Antes de mover la estufa, deslícela sobre la base de transporte, cartón o madera.

1. Saque la plantilla del juego del soporte anti-vuelco (se encuentra dentro de la cavidad del horno).
2. Coloque la plantilla sobre el piso, en la abertura del armario, de manera que el extremo izquierdo esté contra el armario y el extremo superior esté contra la pared, moldura o armario posterior.
3. Pegue la plantilla con cinta adhesiva en el lugar.
4. Si el mostrador no está alineado con el extremo de la abertura del armario, alinee la plantilla con la saliente.

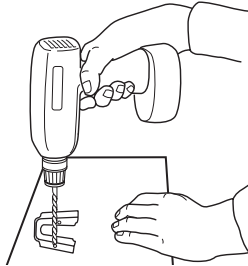


Si la abertura del armario es más ancha que lo especificado en la sección "Requisitos de ubicación", ajuste la plantilla de manera que la estufa esté centrada en la abertura del armario.

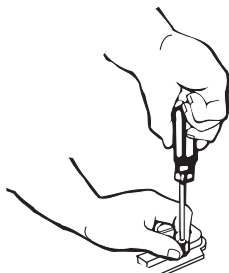
- Para montar el soporte anti-vuelco al piso de madera, perforo dos orificios de $\frac{1}{8}$ " (0,32 cm) en las posiciones marcadas en la plantilla del soporte.

Saque la plantilla del piso y continúe con el paso 7.

Para montar el soporte anti-vuelco a un piso de hormigón o de cerámica, use una broca de taladro de albañilería de $\frac{3}{16}$ " (0,5 cm), para taladrar 2 orificios en las posiciones marcadas sobre la plantilla del soporte. Saque la plantilla del piso. Martille los taquetes de plástico en los orificios.

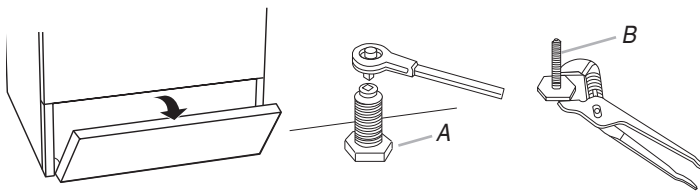


- Alinee los orificios del soporte anti-vuelco con los orificios en el piso. Sujete el soporte anti-vuelco con los tornillos provistos.



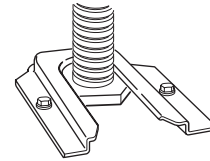
Según el espesor del piso, es posible que necesite tornillos más largos para sujetar el soporte al contrapiso. Puede conseguir tornillos más largos en su ferretería local.

- Mueva la estufa lo suficientemente cerca de la abertura para permitir que se hagan las conexiones eléctricas finales. Quite la base de transporte, cartón o madera que se encuentra debajo de la estufa.
- Abra la puerta del asador. Use un trinquete de accionamiento de $\frac{3}{8}$ " para bajar las patas niveladoras traseras dando medio giro. Use una llave de tuercas o unas pinzas para bajar las patas niveladoras delanteras media vuelta.



A. Pata niveladora trasera
B. Pata niveladora delantera

- Ajuste las patas niveladoras para corregir la altura. Las patas niveladoras pueden aflojarse para agregar un máximo de 1" (2,5 cm). Se necesita un mínimo de $\frac{3}{16}$ " (0,5 cm) para encajar el soporte anti-vuelco.
- Mueva la estufa a su ubicación final, asegurándose de que la pata niveladora trasera se deslice en el soporte anti-vuelco.



- Si instala la estufa en una casa rodante, deberá fijar la estufa al piso. Cualquier método de fijación es adecuado en tanto cumpla con las normas indicadas en la sección "Requisitos de ubicación".
- Continúe instalando la estufa siguiendo las instrucciones de instalación.

Conexión del suministro de gas

⚠ ADVERTENCIA



Peligro de Explosión

Use una línea de suministro de gas nueva con aprobación de CSA International.

Instale una válvula de cierre.

Apriete firmemente todas las conexiones de gas.

Si se conecta a un suministro de gas LP, la presión no debe exceder una columna de agua de 36 cm (14") y debe ser verificada por una persona calificada.

Ejemplos de una persona calificada incluyen:

personal de servicio del sistema de calefacción con licencia,
personal autorizado de la compañía de gas, y
personal autorizado para dar servicio.

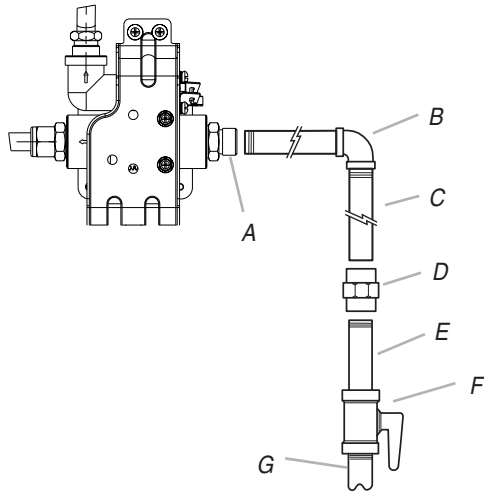
No seguir estas instrucciones puede ocasionar la muerte, explosión o incendio.

Conexión típica de la tubería rígida

Se debe usar una combinación de tubos de unión para conectar la estufa a la línea de suministro de gas existente. Sus conexiones pueden ser distintas, de acuerdo con el tipo de línea de suministro, tamaño y ubicación.

- Aplice compuesto para unión de tubería fabricado para usarse con el gas LP en todas las conexiones con rosca de tubería.

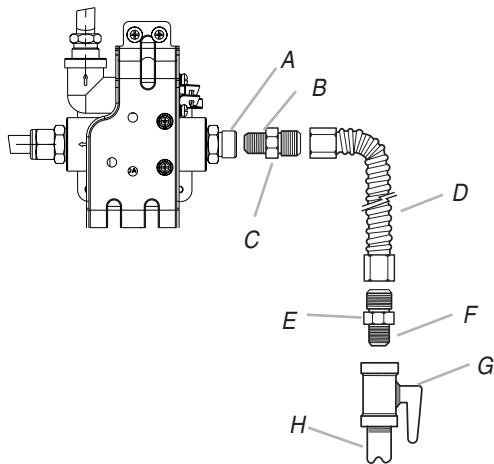
- Utilizando una llave de tuercas para tubería para ajustar, conecte el suministro de gas a la estufa.



- A. Accesorio de conexión del regulador de presión
 B. Codo de 90°
 C. Tubería de hierro negro
 D. Unión
 E. Niple
 F. Válvula de cierre manual
 G. Tubo de gas de 1/2" ó 3/4"

Conexión flexible típica

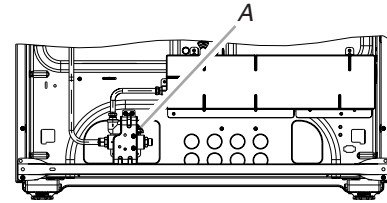
- Aplice compuesto para unión de tubería hecho para usarse con gas LP a los extremos más pequeños de la rosca de los adaptadores flexibles del conector (vea B y F en la ilustración siguiente).
- Fije un adaptador al regulador de la presión del gas y el otro adaptador a la válvula de cierre de gas. Apriete ambos adaptadores.
- Use una llave de combinación y unas pinzas para ajustar el conector flexible a los adaptadores. Cerciórese de que el conector no esté torcido.



- A. Accesorio de conexión del regulador de presión
 B. Use compuesto para uniones de tubería
 C. Adaptador
 D. Conector flexible
 E. Adaptador
 F. Use compuesto para uniones de tubería
 G. Válvula de cierre manual
 H. Tubo de gas de 1/2" ó 3/4"

Complete la conexión

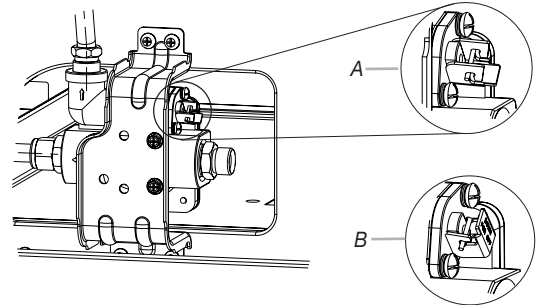
- Ubique el regulador de la presión de gas en la parte posterior de la estufa.



A. Regulador de la presión de gas

IMPORTANTE: No quite el regulador de la presión de gas.

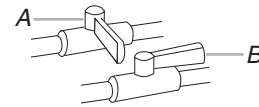
- Verifique que la válvula de cierre del regulador de la presión de gas esté en la posición "ON" (Abierta).



A. Posición de "Encendido"
 B. Posición de "Apagado"

IMPORTANTE: El ajuste de fábrica por defecto es la posición de "ENCENDIDO". Si la estufa no funciona, verifique que la válvula esté en la posición de "ENCENDIDO".

- Abra la válvula de cierre manual de la línea de suministro de gas. La válvula está abierta cuando la manija está paralela al tubo de gas.



A. Válvula cerrada
 B. Válvula abierta

- Pruebe todas las conexiones aplicando con un cepillo una solución aprobada para detección de fugas que no sea corrosiva. Se observarán burbujas si hay fuga. Tape cualquier fuga que encuentre.
- Saque las tapas de los quemadores de la superficie de cocción y las parrillas del paquete de piezas. Alinee las muescas que están en las tapas de los quemadores con los pasadores de la base del quemador. Las tapas del quemador deberán estar niveladas cuando se colocan en la posición correcta. Si las tapas de los quemadores no están en la posición correcta, los quemadores de la superficie no se encenderán. Coloque los quemadores, las tapas de los quemadores y las parrillas sobre la superficie de cocción.

⚠️ ADVERTENCIA



Peligro de Choque Eléctrico

Conecte a un contacto de pared de conexión a tierra de 3 terminales.

No quite la terminal de conexión a tierra.

No use un adaptador.

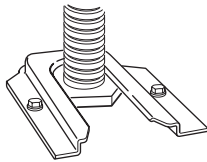
No use un cable eléctrico de extensión.

No seguir estas instrucciones puede ocasionar la muerte, incendio o choque eléctrico.

6. Conecte a un contacto de pared de conexión a tierra de 3 terminales.

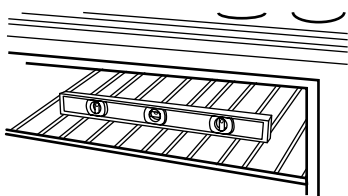
Verificación de la ubicación del soporte anti-vuelco

1. Asegúrese de que el soporte anti-vuelco haya sido instalado.
 - Busque el soporte anti-vuelco ajustado firmemente al piso.
 - Deslice la estufa hacia atrás de modo tal que la pata trasera quede debajo del soporte anti-vuelco.



Nivelación de la estufa

1. Ponga la parrilla en el horno.
2. Coloque un nivel en la parrilla y verifique que la estufa esté nivelada, primero de lado a lado y después de adelante hacia atrás.



3. Si la estufa no está nivelada, júlela hacia adelante hasta quitar la pata niveladora posterior del soporte anti-vuelco. Use un trinquete de accionamiento de $\frac{3}{8}$ " y llave de tuercas o pinzas para ajustar las patas niveladoras hacia arriba o hacia abajo hasta que la estufa esté nivelada.
4. Empuje la estufa a su posición final.
5. Verifique que la pata niveladora trasera esté enganchada en el soporte anti-vuelco.

NOTA: La estufa debe estar nivelada para obtener un horneado satisfactorio.

Sistema de encendido electrónico

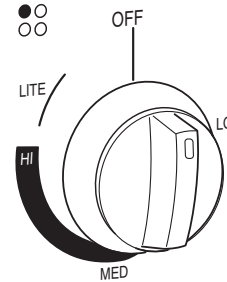
Encendido inicial y ajustes de la llama de gas

Los quemadores de la superficie de cocción y el horno usan encendedores electrónicos en lugar de pilotos permanentes. Cuando se gira la perilla de control de la superficie de cocción a la posición "LITE" (Encendido), el sistema crea una chispa para encender el quemador. Esta chispa continúa hasta que se gire la perilla de control hacia el ajuste deseado.

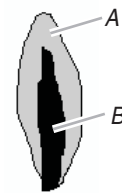
Cuando el control del horno se gira hacia el ajuste deseado, un encendedor caliente de la superficie se calienta hasta quedar con un color naranja brillante, y enciende el gas. No se producen chispas. Mientras funciona el quemador, la barra luminosa permanecerá encendida.

Verifique el funcionamiento de los quemadores de la superficie de cocción

1. Si se quitaron antes el panel de control y las perillas, vuelva a colocar las perillas.
2. Empuje hacia adentro y gire cada perilla de control de la superficie hacia la posición "LITE" (Encendido). La llama deberá encenderse en menos de 4 segundos.



3. Gire la perilla de control hacia la posición "HI" (Alto) después de que se encienda el quemador.
4. Fíjese que cada quemador de la superficie de cocción tenga la llama adecuada. El cono interior pequeño deberá tener una llama azul bien nítida de $\frac{1}{4}$ " (0,64 cm) a $\frac{1}{2}$ " (1,3 cm) de largo. El cono exterior no es tan nítido como el cono interior.

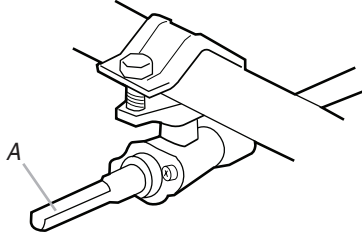


A. Cono exterior
B. Cono interior

5. Gire rápidamente la perilla de control hacia la posición "LO" (Bajo) después de que el quemador se encienda. Si la llama se apaga, gire la perilla de control hacia la posición "OFF" (Apagado).
6. Fíjese que cada quemador de la superficie de cocción tenga la llama baja adecuada. La llama baja deberá ser una llama azul minúscula y estable. La llama deberá tener una altura de $\frac{1}{4}$ " a $\frac{3}{8}$ " (0,64 cm a 0,95 cm).

Si la llama baja necesita ajustarse:

1. Gire la perilla de control hacia el ajuste "LO" (Bajo) y sáquela.
2. Inserte un destornillador pequeño de hoja plana en el vástago de la válvula. Gire el tornillo de ajustar la válvula para obtener la llama más pequeña que no se apague cuando se gire el control de un quemador frío de "HI" (Alto) a "LO" (Bajo). Gire hacia la derecha para reducir la altura de la llama. Gire hacia la izquierda para aumentar la altura de la llama. Repita el procedimiento para los otros quemadores de la superficie de cocción, según sea necesario.



A. Vástago de la válvula

3. Vuelva a colocar la perilla de control.

Verifique el funcionamiento del quemador de asar/del horno

Control electrónico del horno (en algunos modelos):

1. Abra la puerta del asador.
2. Presione el botón "BAKE" (Hornear).
 - Se encenderá la luz indicadora de "BAKE" (Hornear).
 - "350" aparecerá en la pantalla.
3. Presione el botón START/ENTER (Inicio/Ingreso).
 - Aparecerán los indicadores "TEMP" (Temperatura) y "ON" (Encendido).
 - La pantalla mostrará la cuenta regresiva (10 minutos), que se necesita para precalentar el horno para la temperatura seleccionada.
 - El quemador del horno deberá encenderse en 20-40 segundos; este retraso es normal. La válvula del horno requiere un tiempo determinado antes de abrirse y dejar que fluya el gas. El quemador del horno funcionará hasta que el mismo haya alcanzado una temperatura de 350°F. Después de 20 a 40 segundos, el quemador del horno comenzará a encenderse y a apagarse para mantener la temperatura de 350°F.

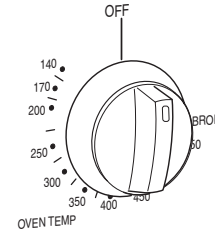
El quemador del asador y el del horno son el mismo. Verifique que el asador funcione de la siguiente manera:

1. Presione el botón "BROIL" (Asar).
 - Aparecerá "525" en la pantalla.
 - Se encenderá la luz indicadora de "BROIL" (Asar).
2. Presione el botón START/ENTER (Inicio/Ingreso).
 - Aparecerán los indicadores "TEMP" (Temperatura) y "ON" (Encendido).
 - El quemador del horno deberá encenderse en 20-40 segundos; este retraso es normal. La válvula del horno requiere un tiempo determinado antes de abrirse y dejar que fluya el gas. Para evitar dañar el encendedor de superficie caliente, no inserte ningún objeto en las aberturas de la pantalla protectora que rodean el encendedor, o limpie esa área.
3. Verifique el quemador del horno para ver si la llama es adecuada. La llama deberá medir $\frac{1}{2}$ " (1,3 cm) de largo, con el cono interior de color verde azulado. El manto exterior deberá ser de color azul oscuro y tener una apariencia limpia y delicada. No deberán haber llamas con puntas amarillas (no hay suficiente aire), sacando chispas ni que se levanten (hay demasiado aire).

Control del panel múltiple del horno (en algunos modelos):

1. Abra la puerta del asador.
2. Empuje y gire la perilla de control del horno a 350°F. El quemador del horno deberá encenderse en 20-40 segundos; este retraso es normal. La válvula del horno requiere un tiempo determinado antes de abrirse y dejar que fluya el gas. El quemador del horno funcionará hasta que el mismo haya alcanzado una temperatura de 350°F. Después de 20 a 40 segundos, el quemador del horno comenzará a encenderse y a apagarse para mantener la temperatura de 350°F. Haga esta verificación con la perilla en la posición de "BROIL" (Asar).

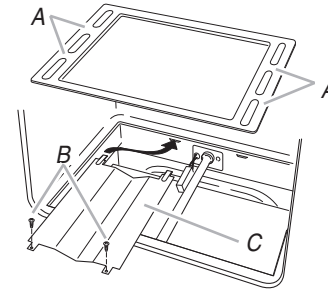
Para evitar dañar el encendedor de superficie caliente, no inserte ningún objeto en las aberturas de la pantalla protectora que rodean el encendedor, o limpie esa área.



3. Verifique el quemador del horno para ver si la llama es adecuada. La llama deberá medir $\frac{1}{2}$ " (0,13 cm) de largo, con el cono interior de color verde azulado. El manto exterior deberá ser de color azul oscuro y tener una apariencia limpia y delicada. No deberán haber llamas con puntas amarillas (no hay suficiente aire), sacando chispas ni que se levanten (hay demasiado aire).

Si la llama necesita ajustarse:

1. Apague el horno. Espere a que se enfríe el quemador del horno.
2. Abra la puerta del horno y saque las parrillas, la charola y el esparcidor de llama del horno; déjelos a un lado.

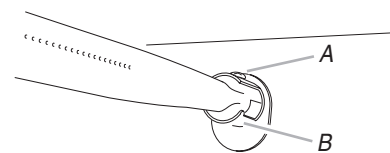


A. Bandeja del horno (levántela en el área mostrada para quitarla)

B. Tornillos

C. Esparcidor de llama

3. Ubique el obturador de aire cerca de la pared posterior del horno y afloje el tornillo del obturador.



A. Tornillo del obturador

B. Obturador de aire

4. Ajuste el obturador de aire.
5. Vuelva a encender el horno y fíjese que la llama sea adecuada. Si la llama todavía no está ajustada debidamente, apague el horno, espere que se enfríe el quemador del mismo y repita el paso 4 hasta ajustar la llama como es debido.
6. Una vez que se haya ajustado la llama como es debido, apague el horno y espere que se enfríe el quemador.
7. Apriete el tornillo del obturador.
8. Vuelva a instalar el esparcidor de llama y la bandeja del horno. Vuelva a instalar las parrillas del horno y cierre la puerta del mismo.
9. Cierre la puerta del asador.

Complete la instalación

1. Revise para cerciorarse de que todas las piezas estén instaladas. Si hay alguna pieza extra, vuelva a revisar todos los pasos para ver cuál se omitió.
2. Verifique si tiene todas las herramientas.
3. Deshágase de todos los materiales de embalaje o recíclelos.
4. Verifique si la estufa está nivelada. Vea “Nivelación de la estufa”.
5. Use una solución suave de limpiador doméstico líquido y agua tibia para quitar el residuo ceroso ocasionado por el material protector de embalaje. Seque meticulosamente con un paño suave. Para más información, vea la sección “Cuidado de la estufa” del Manual de uso y cuidado o de las Instrucciones para el usuario.
6. Lea el Manual de uso y cuidado o las Instrucciones para el usuario.
7. Encienda los quemadores y el horno. Vea el Manual de uso y cuidado o las Instrucciones para el usuario para obtener instrucciones específicas sobre el funcionamiento de la estufa.

Si la estufa no funciona, revise lo siguiente:

- Que el fusible de la casa esté intacto y ajustado; o que no se haya disparado el cortacircuitos.
 - Que la estufa esté conectada en un contacto de 3 terminales con conexión a tierra.
 - Que el suministro eléctrico esté conectado.
 - Vea “Solución de problemas” en el Manual de uso y cuidado o en las Instrucciones para el usuario.
8. Cuando la estufa haya estado funcionando por 5 minutos, sienta si hay calor. Si no siente calor, apague la estufa y verifique que la válvula de cierre de la línea de suministro de gas esté abierta.
 - Si la válvula de cierre de la línea de suministro de gas está cerrada, ábrala y repita la prueba de 5 minutos como se ha descrito arriba.
 - Si la válvula de cierre de la línea de suministro de gas está abierta, presione el botón de CANCEL (Anular) en el panel de control del horno, y contacte a un técnico calificado.

Si necesita ayuda o servicio técnico:

Sírvase consultar la sección “Ayuda o servicio técnico” del Manual de uso y cuidado o la portada de las Instrucciones para el usuario, o póngase en contacto con el distribuidor en donde usted compró la estufa.

CONVERSIONES DE GAS

Las conversiones de gas natural a gas L.P. o de gas L.P. a gas natural deberán ser hechas por un instalador calificado.

⚠️ ADVERTENCIA



Peligro de Explosión

Use una línea de suministro de gas nueva con aprobación de CSA International.

Instale una válvula de cierre.

Apriete firmemente todas las conexiones de gas.

Si se conecta a un suministro de gas LP, la presión no debe exceder una columna de agua de 36 cm (14") y debe ser verificada por una persona calificada.

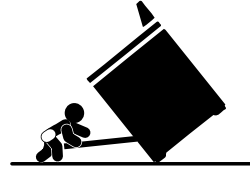
Ejemplos de una persona calificada incluyen:

personal de servicio del sistema de calefacción con licencia,
personal autorizado de la compañía de gas, y
personal autorizado para dar servicio.

No seguir estas instrucciones puede ocasionar la muerte, explosión o incendio.

Conversión de gas L.P.

⚠️ ADVERTENCIA



Peligro de Vuelco

Un niño o un adulto puede volcar accidentalmente la estufa y resultar muerto.

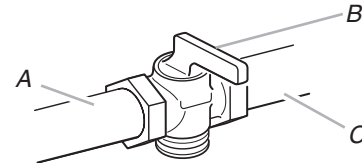
Conecte el soporte anti-vuelco a la pata trasera de la estufa.

Si traslada de lugar la estufa, vuelva a conectar el soporte anti-vuelco.

No seguir estas instrucciones puede ocasionar la muerte o quemaduras graves en niños y adultos.

Cómo convertir el regulador de la presión de gas

1. Gire la válvula de cierre manual a la posición de "cerrado".

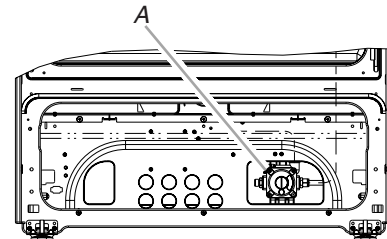


A. A la estufa

B. Válvula de cierre manual en la posición "cerrada"

C. Línea de suministro de gas

2. Desenchufe la estufa o desconecte el suministro de energía.
3. Abra la puerta del asador y saque la charola para asar. El regulador de la presión de gas está ubicado en la esquina posterior derecha del compartimento del asador.



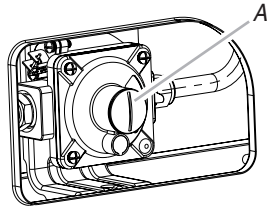
A. Regulador de la presión de gas

IMPORTANTE: No quite el regulador de la presión de gas.

NOTA: No quite el resorte que está debajo de la tapa.

- Saque la tapa del regulador de la presión de gas usando un destornillador de hoja plana.

NOTA: Cerciórese de que la arandela de sellado permanezca en la misma posición.

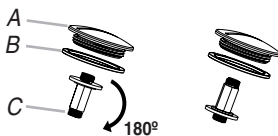


A. Tapa

- Para convertir a gas LP, desatornille el tornillo plástico de ajuste con la mano, voltéelo y vuelva a atornillarlo.

Presión de entrada a gas natural

Presión de entrada a gas LP



A. Tapa

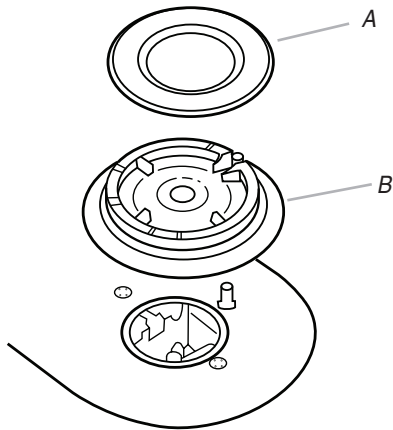
B. Arandela de sellado

C. Tornillo de ajuste

- Vuelva a colocar la tapa.

Cómo convertir los quemadores de superficie

- Saque la parrilla, las tapas del quemador y los quemadores.

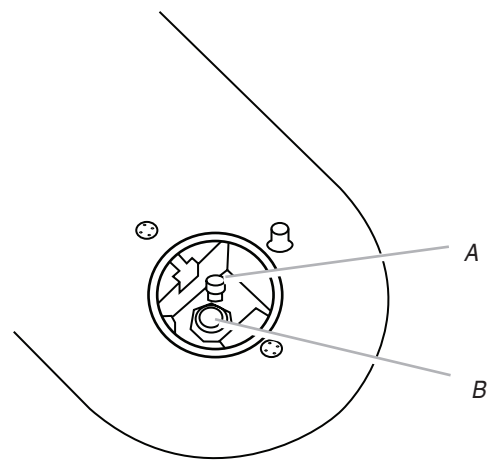


A. Tapa del quemador

B. Quemador

- Ubique las espitas de los orificios de gas L.P. para los quemadores superiores, que están en la bolsa con material impreso incluida con la estufa. Hay tres espitas de gas LP marcadas con "88" y una con "96".
- Saque las espitas de los orificios de gas natural con una llave de combinación de 7 mm.

- Instale los tornillos de los orificios de gas L.P. con una llave de combinación de 7 mm.

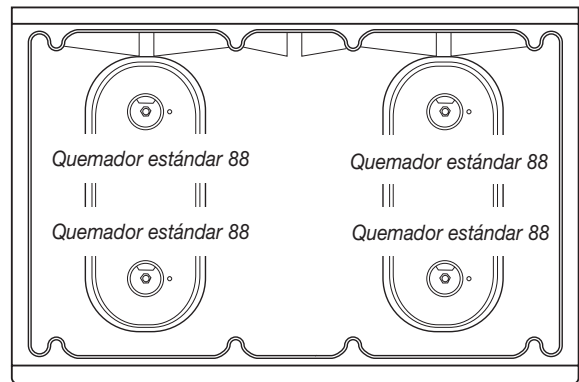


A. Espita

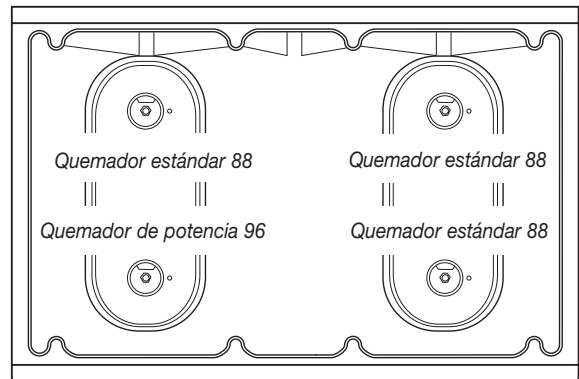
B. Soporte

NOTA: Según el modelo, la superficie de cocción de la estufa puede estar equipada con 4 quemadores estándar o 3 quemadores estándar y 1 quemador de potencia. El tamaño y la ubicación de la espita siguen siendo los mismos.

Para los modelos con 4 quemadores estándar:



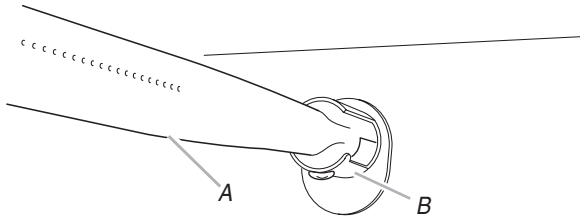
Para los modelos con 3 quemadores estándar y 1 quemador de potencia:



- Coloque las espitas de los orificios de gas natural en la bolsa de piezas para usarlas en el futuro y guárdela en la bolsa con material impreso.
- Vuelva a instalar los quemadores, las tapas y las parrillas de los mismos.

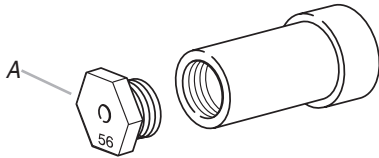
Cómo convertir el quemador del horno

1. Abra la puerta del horno y saque las parrillas, charola y esparcidor de llama del horno; déjelos a un lado.
2. Levante el quemador del horno. La espita del orificio está detrás del obturador de aire del quemador del horno.
3. Ubique la espita del orificio de gas L.P. marcada con "56" en la bolsa con material impreso que se suministró con la estufa.



A. Quemador del horno
B. Obturador de aire

4. Use una llave de combinación de $\frac{3}{8}$ " para sacar la espita del orificio de gas natural.
5. Instale la espita de gas L.P. con el número "56".
IMPORTANTE: No apriete demasiado.



A. Espita del orificio del horno de gas L.P. que indica "56"

6. Coloque la espita del quemador del horno de gas natural en la bolsa de piezas junto con las espitas del quemador de la superficie de cocción de gas natural para usarlas en el futuro y guarde la bolsa con material impreso.
7. Vuelva a instalar el quemador del horno.
8. Vuelva a instalar las parrillas del horno, la bandeja del horno y el esparcidor de llama.

Complete la conversión

1. Vea la sección "Conexión del suministro de gas" para conectar la estufa debidamente al suministro de gas.
2. Gire la válvula de cierre manual en la línea de suministro de gas a la posición abierta.
3. Consulte "Verifique el funcionamiento de los quemadores de la superficie de cocción" en la sección "Sistema de encendido electrónico" para los ajustes apropiados de encendido, funcionamiento y llama del quemador.

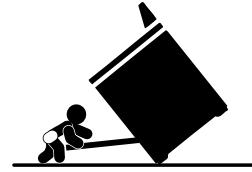
IMPORTANTE: Tal vez tenga que modificar el ajuste "LO" (Bajo) para cada quemador de la superficie de cocción.

Es muy importante verificar la llama adecuada del quemador de la superficie de cocción y del horno. El cono pequeño interior deberá tener una llama azul bien nítida de $\frac{1}{4}$ " a $\frac{1}{2}$ " (0,64 cm a 0,13 cm) de largo. El cono exterior no es tan nítido como el cono interior. Las llamas del gas L.P. tienen una punta de color ligeramente amarillo.

4. Cierre la puerta del asador y gire la perilla a "OFF" (Apagado).
5. Consulte la sección "Complete la instalación" para terminar este procedimiento.

Conversión de gas natural

⚠ ADVERTENCIA



Peligro de Vuelco

Un niño o un adulto puede volcar accidentalmente la estufa y resultar muerto.

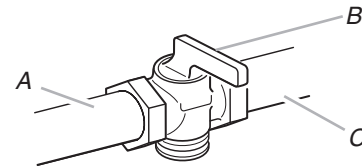
Conecte el soporte anti-vuelco a la pata trasera de la estufa.

Si traslada de lugar la estufa, vuelva a conectar el soporte anti-vuelco.

No seguir estas instrucciones puede ocasionar la muerte o quemaduras graves en niños y adultos.

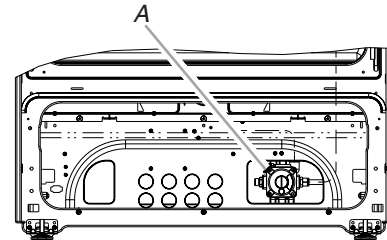
Cómo convertir el regulador de la presión del gas

1. Gire la válvula de cierre manual a la posición de "cerrado".



A. A la estufa
B. Válvula de cierre manual en la posición "cerrada"
C. Línea de suministro de gas

2. Desenchufe la estufa o desconecte el suministro de energía.
3. Abra la puerta del asador y saque la charola para asar. El regulador de la presión de gas está ubicado en la esquina posterior derecha del compartimento del asador.



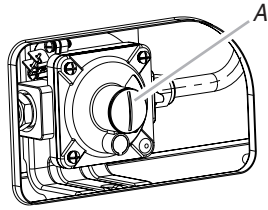
A. Regulador de la presión de gas

IMPORTANTE: No quite el regulador de la presión de gas.

NOTA: No quite el resorte que está debajo de la tapa.

- Saque la tapa del regulador de la presión de gas usando un destornillador de hoja plana.

NOTA: Cerciórese de que la arandela de sellado permanezca en la misma posición.

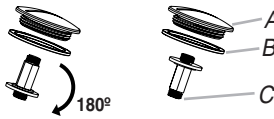


A. Tapa

- Para convertir a gas natural, desatornille el tornillo plástico de ajuste con la mano, voltéelo y vuelva a atornillarlo.

Presión de entrada a gas LP

Presión de entrada a gas natural

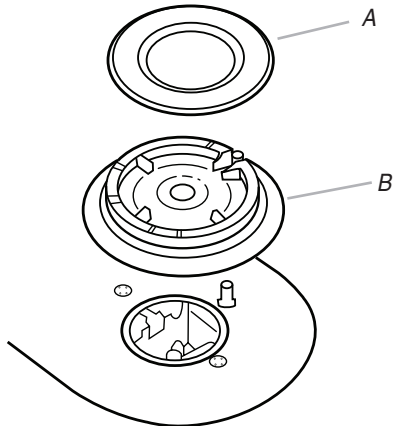


A. Tapa
B. Arandela de sellado
C. Tornillo de ajuste

- Vuelva a colocar la tapa.

Cómo convertir los quemadores de superficie

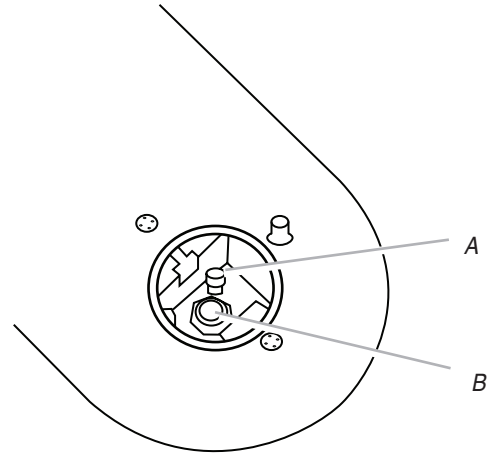
- Saque la parrilla, las tapas del quemador y los quemadores.



A. Tapa del quemador
B. Quemador

- Ubique las espitas de los orificios de gas natural para los quemadores superiores, que están en la bolsa con material impreso incluida con la estufa. Hay tres espitas de gas natural marcadas con "149" y una con "165".
- Saque las espitas de los orificios de gas L.P. con una llave de combinación de 7 mm.

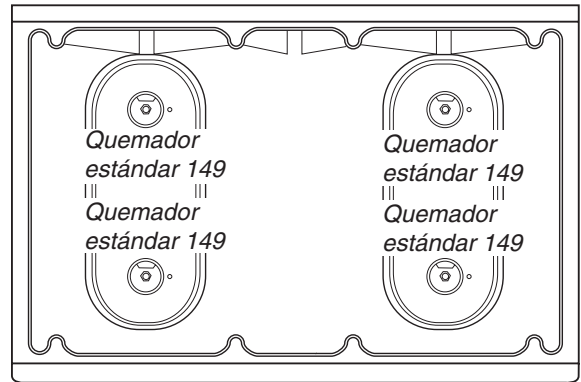
- Instale las espitas de los orificios de gas natural con una llave de combinación de 7 mm.



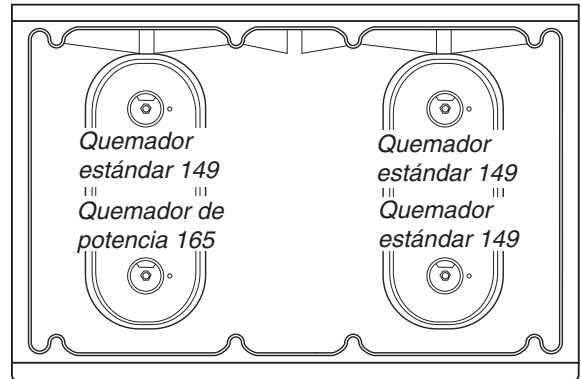
A. Espita
B. Soporte

NOTA: Según el modelo, la superficie de cocción de la estufa puede estar equipada con 4 quemadores estándar o 3 quemadores estándar y 1 quemador de potencia. El tamaño y la ubicación de la espita siguen siendo los mismos.

Para los modelos con 4 quemadores estándar:



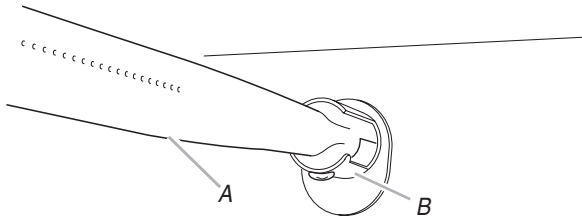
Para los modelos con 3 quemadores estándar y 1 quemador de potencia:



- Coloque las espitas de los orificios de gas LP en la bolsa de piezas para usarlos en el futuro y guarde esa bolsa con la bolsa de material impreso.
- Vuelva a instalar los quemadores, las tapas y las parrillas de los mismos.

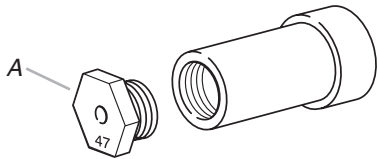
Cómo convertir el quemador del horno

1. Abra la puerta del horno y saque las parrillas, bandeja y esparcidor de llama del horno; déjelos a un lado.
2. Levante el quemador del horno. La espita del orificio está detrás del obturador de aire del quemador del horno.



A. Quemador del horno
B. Obturador de aire

3. Ubique la espita del orificio de gas natural marcada con "47" en la bolsa con material impreso que se suministró con la estufa.
4. Use una llave de combinación de $\frac{3}{8}$ " para sacar la espita del orificio de gas L.P.
5. Instale la espita de gas L.P. con el número "47".



A. Espita del orificio del horno de gas natural que indica "47"

IMPORTANTE: No apriete demasiado.

6. Coloque la espita del quemador del horno de gas L.P. en la bolsa de piezas junto con las espitas del quemador de la superficie de cocción de gas L.P. para usarlas en el futuro y guarde esa bolsa con la bolsa de material impreso.
7. Vuelva a instalar el quemador del horno.
8. Vuelva a instalar las parrillas del horno, la bandeja del horno y el esparcidor de llama.

Complete la conversión

1. Vea la sección "Conexión del suministro de gas" para conectar la estufa debidamente al suministro de gas.
2. Gire la válvula de cierre manual en la línea de suministro de gas a la posición abierta.
3. Consulte "Verifique el funcionamiento de los quemadores de la superficie de cocción" en la sección "Sistema de encendido electrónico" para los ajustes apropiados de encendido, funcionamiento y llama del quemador.

IMPORTANTE: Tal vez tenga que modificar el ajuste "LO" (Bajo) para cada quemador de la superficie de cocción.

Es muy importante verificar la llama adecuada del quemador de la superficie de cocción y del horno. El cono pequeño interior deberá tener una llama azul bien nítida de $\frac{1}{4}$ " a $\frac{1}{2}$ " (0,64 cm a 0,13 cm) de largo. El cono exterior no es tan nítido como el cono interior. Las llamas del gas natural no tienen una punta de color amarillo.

4. Cierre la puerta del asador y gire la perilla a "OFF" (Apagado).
5. Consulte la sección "Complete la instalación" para terminar este procedimiento.

W10477535A

© 2012.
All rights reserved.
Todos los derechos reservados.

3/12
Printed in Mexico
Impreso en México