

Installation & Maintenance Manual



L42DF ST Indoor

L-Series
Residential
Fireplace

DANGER

Read and understand this manual. Improper installation, adjustment, alteration, service or maintenance can cause serious injury, property damage or even death. For assistance or additional information consult a qualified installer, service agency or the gas supplier.

CAUTION

Glass doors on gas fireplaces are **extremely hot** while the fireplace is on and remain hot even after the fireplace has been turned off. Safety screens are available and can reduce the risks of severe burns. Please keep children away from the fireplace at all times.

WARNING





Do not store or use gasoline or any other flammable vapors and liquids in the vicinity of this or any other gas burning appliance. A fire or explosion may occur causing serious injury, property damage or even death.

NOTICE

Installer: Leave this manual with the appliance. Do not remove.
Consumer: Retain this manual for maintenance and future reference. Do not Discard.

DANGER

IF YOU SMELL GAS

-  Do not try to light any appliance.
-  Do not touch any electrical switch; do not use any phone in your building.
-  Immediately call your gas supplier from a neighbor's phone. Follow the gas supplier's instructions.
-  If you cannot reach your gas supplier, call the fire department.



NOTICE

You must read and understand this manual prior to installation, operation or troubleshooting this appliance. Please retain this owner's manual for future reference and maintenance.

Table of Contents

Safety Alert Key	
Introduction	3
Models.....	3
Installation	
Before you Start	4
Installation Checklist	4
Section 1: Installation Overview and Product Dimensions	5
Section 2: Framing the Fireplace	6
Clearances.....	6
Section 3: The Direct Vent System	7 - 11
Section 3-1: Converting from Top Vent to Rear Vent	7
Section 3-2: Installing a Roof mounted Termination 8 - 9	
▪ Section 3-2-1: Venting Layout	8
▪ Roof mounted Terminations	
Standard Top Vent (no elbows or offsets).....	8
Top Vent (two elbows one offset)	8
Top Vent (multi-elbows and offsets).....	8
Standard Roof Vent (one elbows no offsets).....	9
▪ Section 3-2-2: Venting Components	9
Section 3-3: Installing a Wall mounted Termination	10
▪ Standard PTO Installation.....	10
▪ Pre-installed MSR Frame	10
▪ Pre-installed BSR Frame.....	10
▪ Installing MOSR Frame	10
▪ Installing VSS Termination Shield	10
▪ Installing PTKOG Heat Guard	10
▪ Section 3-3-1: Venting Layout	11 - 12
▪ Top Vent, Wall mounted Graph, L42DF-ST	11
▪ Top Vent, Wall mounted termination (one elbow)	11
▪ Top Vent, Wall mounted termination (multi elbow)....	11
▪ Rear Vent, Wall mounted Termination Graph	13
▪ Standard Rear Vent, (no elbows or offsets)	13
▪ Rear Vent, Wall mounted termination (two elbows). 13	
▪ Section 3-3-2: Venting Components.....	14
▪ Section 3-3-3: Heat Shields	15
▪ Installing a RHS8 Wall Mounted Heat Shield	15
▪ Installing a RHS101 Wall Mounted Heat Shield.....	15
Section 4: Wiring	16
▪ SIT - IPI gas control and pilot	16
▪ Honeywell gas control and pilot	16
▪ Installing HFK Fan Kit	16
Section 5: Installing the Gas Line	17
Section 5-1: Fuel Conversion	17
Section 5-2: Gas Pressure	17
Section 5-3: Gas Connection	17
Section 6: Finishing	18
▪ Finishing around the fireplace	18
▪ Installing the nailing flange extension.....	18
Section 7: Installing and Removing the Door	19
Section 8: Installing the Accessories	20
▪ Installing the L42DF-ST Firestones.....	20
▪ Installing the L42DF-ST Artificial River Rocks	20
Section 9: Operation	21 - 23
▪ Start-up Sequence with Continuous Pilot	21
▪ Start-up Sequence Honeywell Gas valve	22
▪ Start-up Sequence SIT-IPI Gas valve	23
Maintenance	24 - 25
▪ General	24
▪ Cleaning.....	24
▪ SIT Hi-Lo Burner Adjustment.....	24
▪ SIT Pilot Burner Adjustment	24
▪ Troubleshooting	25
SIT- Nova 820 Gas Control Valve	25
Honeywell Gas Control Valve.....	25
SIT- IPI Electronic Gas Control Valve	25
▪ Parts List	25
Appendix	
A. Termination Locations.....	26
B. Warranty	27
C. State of Massachusetts	28

Safety Alert Key



DANGER

Indicates a hazardous situation which, if not avoided, **WILL** result in death or serious injury or property damage.



WARNING

Indicates a hazardous situation which, if not avoided, **COULD** result in death or serious injury or property damage.



CAUTION

Indicates a hazardous situation which, if not avoided, **WILL** result in minor or moderate injury.

NOTICE

Address practices that are important, but not related to personal injury

Introduction

INTRODUCTION

Congratulations on your purchase of a **Montigo Fireplace**.

With over 30 years of experience, Montigo is committed to providing you with a gas fireplace that is not only a beautiful addition to your space, but that is also designed and manufactured to the highest safety, reliability and engineering standards.

We strongly encourage you to read and carefully follow the instructions laid out in this Installation, Operation and Maintenance Manual and retain it for your future reference. Pay special attention to all cautions, warnings, and notices throughout this manual intended to ensure your safety.

This manual covers installation, operation and maintenance. Lighting, operation and care of this fireplace can be easily performed by the homeowner. All installation and service work should be performed by a qualified or licensed installer, plumber or gas fitter as certified by the state, province, region or governing body where the fireplace is being installed.

This installation, operation and maintenance manual is applicable to the models described below. Refer to your rating plate to verify included options.


MODEL	Natural Gas	Liquid Propane	Gas Rating (BTU hr)	Linear Burner w/ Glass Accessories	Standard Pilot Ignition	Honeywell Hot Surface Ignition	SIT Electronic Ignition
L42FSDN	X		34,000	X	X		
L42FSDNE	X		34,000	X		X	
L42FSDNI	X		34,000	X			X
L42FSDL		X	34,000	X	X		
L42FSDLE		X	34,000	X		X	
L42FSDLI		X	34,000	X			X

Warranty and Installation Information: (See Appendix B)

The Montigo warranty will be voided by, and Montigo disclaims any responsibility for, the following actions:

- ▶ Modification of the fireplace and/or components including Direct-Vent assembly or glass doors.
- ▶ Use of any component part not manufactured or approved by Montigo in combination with this Montigo fireplace system.
- ▶ Installation other than as instructed in this manual.

Consult your local Gas Inspection Branch on installation requirements for factory-built gas fireplaces. Installation & repairs should be done by a qualified contractor.



WARNING

Hot glass will cause burns. **Do not touch** glass until unit is cooled. **Never** allow children to touch glass.



Installation

Section A: Before you Begin

IMPORTANT MESSAGE: SAVE THESE INSTRUCTIONS

The L42DF*-ST Direct Vent fireplace must be installed in accordance with these Instructions. Carefully read all the Instructions in this manual first. Consult the Local Gas Branch to determine the need for a permit prior to starting the installation. It is the responsibility of the installer to ensure this fireplace is installed in compliance with the manufacturers instructions and all applicable codes.

BEFORE YOU START:

NOTICE

Installation and repairs should be done by an authorized gas fireplace service technician. The appliance should be inspected before use and at least annually by a professional. More frequent cleaning may be required due to excessive lint from carpeting, bedding material, ect. It is imperative that control compartments, burners and circulating air passageways of the fireplace are kept clean.



CAUTION

Due to high operating temperatures, this appliance should be located out of traffic & away from furniture and draperies.

Children and adults should be alerted to the hazards of the high surface temperature, which could cause burns or clothing ignition.

Young children should be carefully supervised when they are in the same room as the appliance.

Clothing or other flammable materials should not be placed on or near the appliance.



DANGER

When this appliance is installed directly on any combustible material other than wood flooring, it must be installed on a metal or wood panel extending the full width and depth of the appliance or a fire will occur causing serious injury, property damage or even death.

Installation Checklist

- Determine the desired install location of your fireplace.
- See **Section 1**, Dimensions on **Page 5**, and refer to the Framing **Section 2** for details.
- Select the location of your termination and resulting vent run.
- **Your selected termination location must be the highest point in the Direct Vent installation.**
- Should it be impossible to meet the venting requirements laid out in **Section 3**: Venting, please contact Montigo regarding the use of a Montigo Power Vent.
- Lay out the Vent run; calculating the required elbows and straight runs of 5"/8" flex or rigid pipe.
- Layout Electrical Requirements Refer to **Section 4**: Wiring, for Details.
- Refer to **Section 5**: Installing the Gas Line, for details on the gas connection and access.
- Refer to local codes and guidelines for installation requirements.
- **Installation and repairs should be done by a qualified contractor and must conform to:**
 - **Installations in Canada** must conform to the current CAN/CGA B-149.1 and .2 Gas Installation Code and local regulations.

- **Installations in the USA** must conform to local codes, or in the absence of local codes to the National Fuel Gas Code, ANSI Z223.1.

- **See Appendix C for installation within the State of Massachusetts.** This fireplace must comply with NFPA-54 Chapter 10.

Installation



Section 1: Installation Overview and Product Dimensions

Please review the Installation Checklist on Page 4 for general information on preparing for a successful installation of your fireplace.

The L42DF*-ST fireplace may be installed in any location that maintains proper clearances to air conditioning ducts, electrical wiring and plumbing. Safety, as well as efficiency of operation, should be considered when selecting the fireplace location. Try to select a location that does not

interfere with room traffic, has adequate ventilation and offers an accessible path for Direct Vent installation.

The fireplace dimensions are shown below:

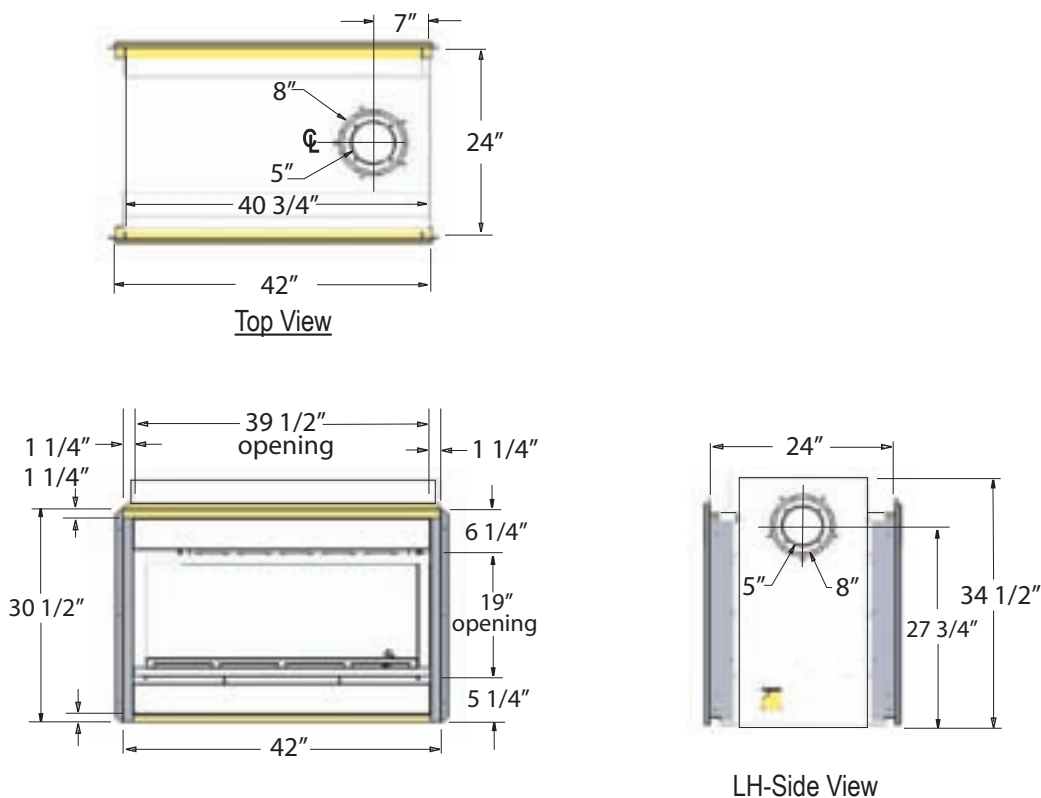


Figure 1: Unit Dimensions

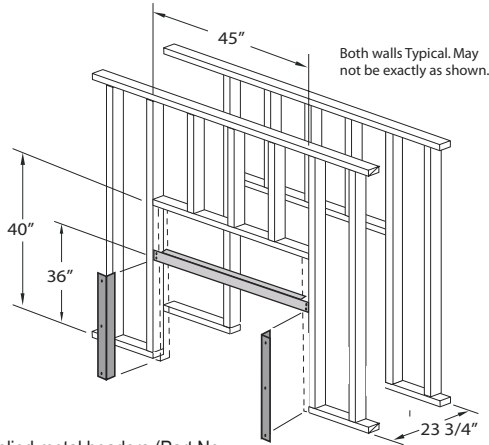


Installation

Section 2: Framing

- 1) Frame in the enclosure for the unit with framing materials. The framed opening for the assembled fireplace is 45" wide, x 40" high x 23 3/4" deep, see **Figure 2**.

NOTE: When constructing the framed opening, please ensure there is access to install the gas line when the unit is installed. See **Figure 22**.



Notes:
 Install supplied metal headers (Part No. H42ST060) above fireplace after unit is in place.
 Use supplied hardware to attach to framing. Both Walls Typical. May not be exactly as shown.

Framing Kit, 4-pcs. (Part No. L42FS01B) Install with supplied hardware. Both walls and sides Typical. See Figure 2a below.

Figure 2. Framing dimensions.

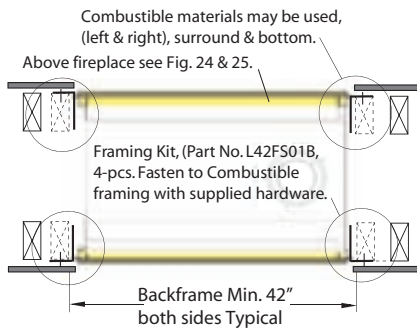


Figure 2a. Framing dimensions, (Back-framing)

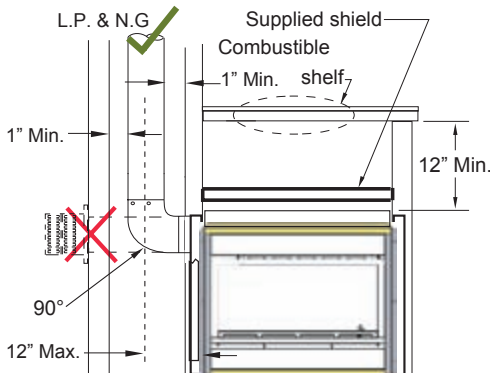


Figure 3. Combustible Framing for shelves over the fireplace, Side vent.

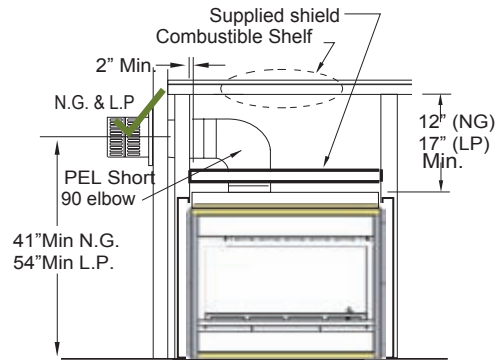


Figure 4. Combustible Framing for shelves over the fireplace, Top vent.

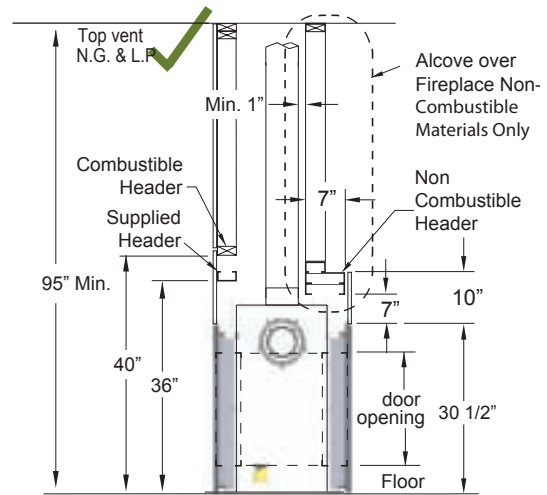


Figure 5. Non Combustible Framing with alcove above fireplace, Right side. Combustible Framing above fireplace, Left side, see **Figure 2**. (Top Vent).

Clearances

When installing a shelf over the top of the fireplaces, the following guidelines must be adhered to:

For Rear Vent applications, the minimum clearance is 2" from the rear of the fireplace to a wall, or any combustible materials, and 12" clearance from the top of the fireplace to the underside of any combustible shelf materials.

For Top Vent applications, the minimum clearance is 2" from the rear of the fireplace to a wall, or any combustible materials, and 17" (LP) & 12" (NG) to the underside of any combustible shelf materials.

(Minimum 2" clearance must still be maintained around the vent pipes.)

MODEL	Top-Rear Vent	Top-Top Vent (NG)	Top-Top Vent (LP)	Back	Sides	Floor	Mantel
L42DF-ST	12"	12"	17"	2"	2"	0"	4"

Installation



Section 3: Venting

Section:

Montigo supplies a variety of direct venting and termination options. **The direct vent termination location MUST be selected such that it is the highest point in the venting assembly.** It should also be selected such that it provides the shortest vent run possible. Should it be impossible to ensure that the termination is the highest point or should it be impossible to meet the venting guidelines laid out below please contact your Montigo dealer to discuss power venting options.

NOTES FOR PLANNING VENTING:

- Venting can originate from the unit through the top or through the rear
- Venting can terminate through the roof or through an exterior wall.
- Refer to Appendix A - Termination Locations to ensure the planned termination location is acceptable.
- Once the termination location has been established, refer to the appropriate section below for installation details
- All fireplaces shipped from the factory are *Top vent*.

See Section 3-1 for converting the unit from top vent to rear vent.

Section 3-1: CONVERTING TO REAR VENT

Use the following instructions to convert an L42DF-ST* for Rear Vent use:

1. Remove the Rear flue cover and gasket (5" and 8") on the flue outlet, as shown in **Figure 7**.
2. Next, Remove the Top flue collar's (5" and 8") on the flue outlet, as shown in **Figure 7**.
3. Install the (removed) Rear flue cover and gasket material, to the Top vent outlet. Fasten the cover with included hardware, as illustrated **Figure 8**.

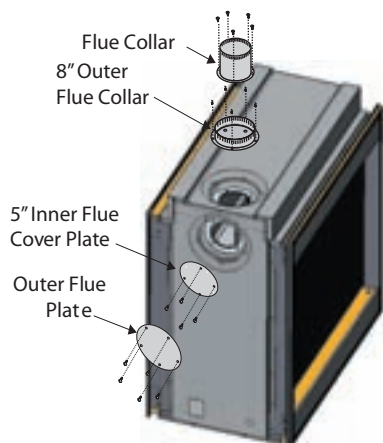


Figure 7. Flue cover and collar removal, *Top Vented* fireplace.

4. Install the (5" and 8") collars to the rear vent outlet using the included hardware, as illustrated **Figure 8**.

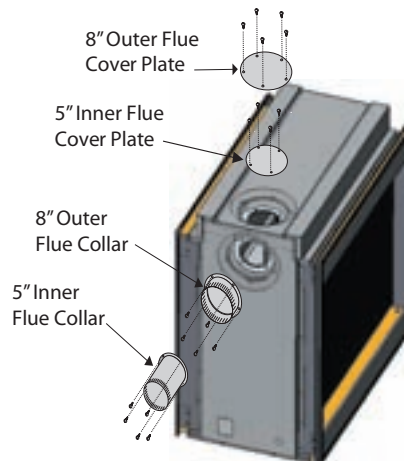


Figure 8. Flue cover and collar installation, *Rear Vented* fireplace.



Installation

Section 3-2: INSTALLING A ROOF MOUNTED DIRECT VENT TERMINATION (PVTk-1)

This section applies to installations where the direct vent termination will be roof mounted.

Section 3-2-1: VENTING LAYOUT

Selection of components and details of venting lay out should adhere to the following guidelines:

- The maximum termination point is 32' above the fireplace (NOTE: if the maximum termination height is used, the flame pattern may be affected).
- The Vertical termination must be a minimum 2' higher than where the termination exits the roofing materials, (asphalt shingles, cedar shakes, etc). This distance should be measured from the high side of the roof slope where the flue flashing intersects the roofing materials. (see **Figures 11 to 11c** *).
- Termination location must be a minimum 6' from a mechanical air inlet.
- Termination location must be a minimum 18" from a parapet wall.
- A maximum of two offsets (each offset is made up of 2-90° bends) may be made.
- Install a firestop at any location where venting passes through combustible materials and construction.
- Utilize support straps, or support plates, and rings (as required) to meet acceptable building practices.
- Install all roof flashing and storm collars as shown.

Roof mounted Terminations

The following details are some possible configurations for Roof mounted terminations. See below.

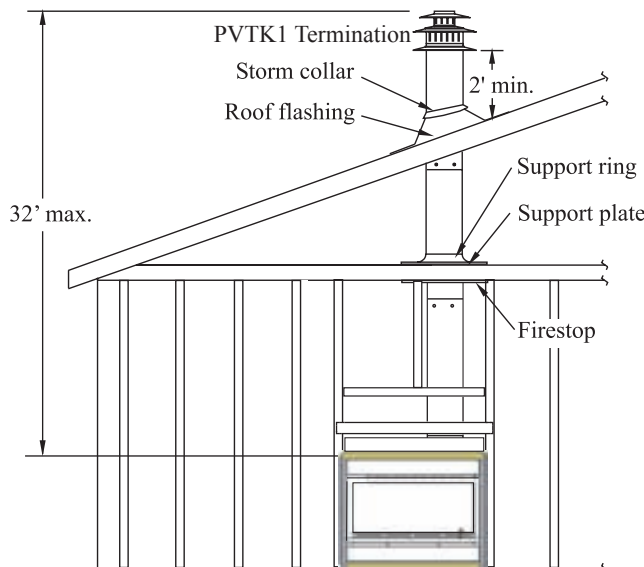


Figure 11. Top vent, Roof mounted termination with no offset in vent run.

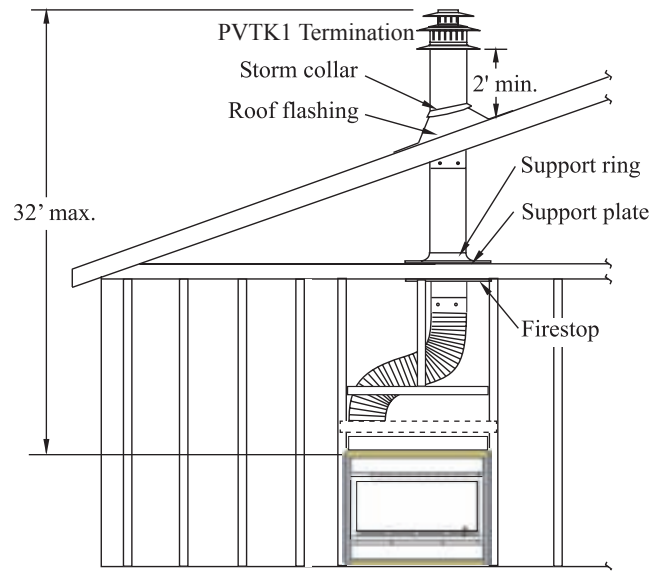


Figure 11a. Top vent, Roof mounted with 1 offset (1 offset= two 90° bends).

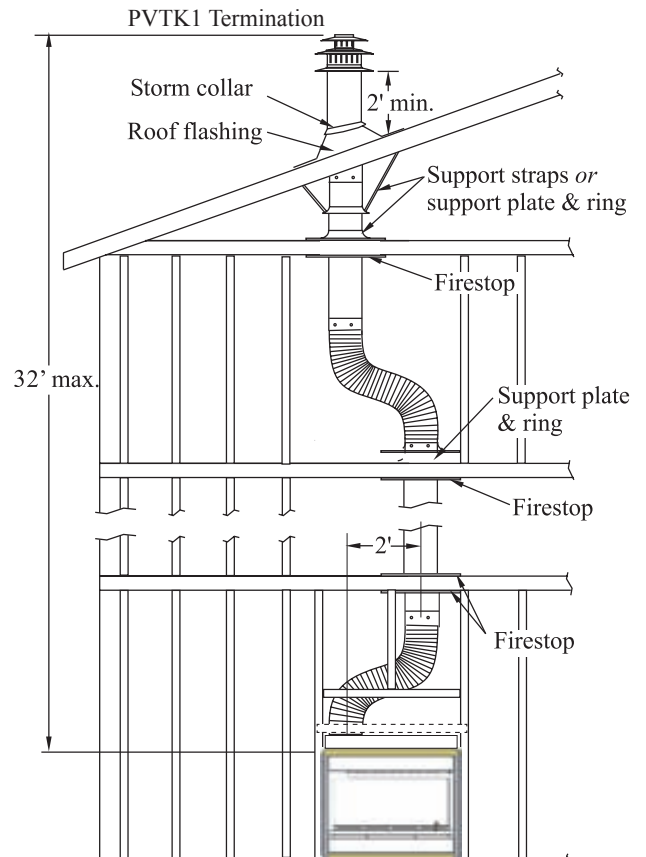


Figure 11b. Top vent, Roof mounted with 2 offsets (1 offset= two 90° bends).

Installation

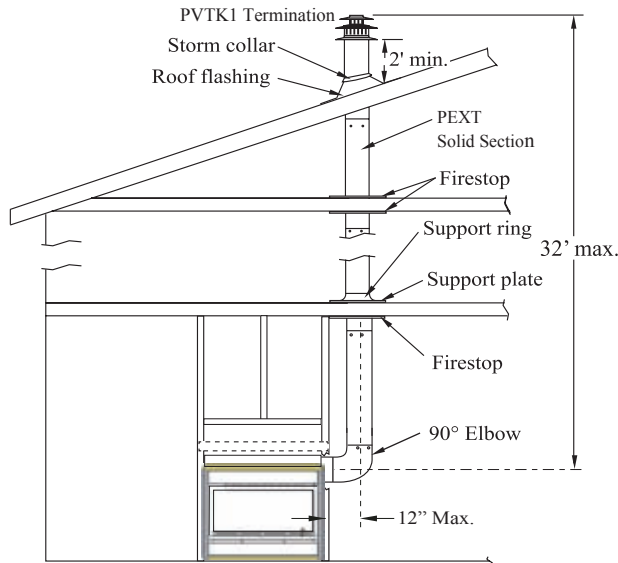


Figure 11c. *Rear vent, Roof mounted venting (1 = 90° bend).*

Connection and installation of the vent components should adhere to the following guidelines:

- Use any combination of rigid and Flex pipe as required.
- Flex sections may be stretched up to 50% of their total length (e.g. a 24" section maybe stretched to 36").
- Connect all vent sections using a minimum of three sheet metal screws on the outer pipe flue.
- Ensure the pipe ends male to female slide in a minimum of 1 1/2" of overlap.
- Ensure all runs are supported with a minimum of 3 supports per 10' of venting.
- When hanging/ supporting venting, ensure that 1" clearance is maintained on sides and bottom of vent runs and 2" above horizontal vent runs to any combustible material.
- Ensure when cutting sections of rigid pipe to maintain integrity of internal supports.
- Place the springs, supplied with the pipe kit, between the outer and inner pipes to keep the pipes separate and avoid any possible hot spots.
- Montigo recommends the use of a flex section for the final pipe connected directly to the fireplace offering greater flexibility of installation and absorption of movement.
- When penetrating a combustible ceiling, a ceiling firestop must be used.
- Montigo recommends that all exterior corners and joints be sealed with exterior caulking however we encourage you to consult your Building Envelope Engineer or Waterproofing Consultant for further recommendations.

Section 3-2-2: VENTING COMPONENTS

Select from the following components and associated Montigo part numbers for installation of a Roof Mounted Termination. Use only Montigo Vent Components. Use of non-Montigo parts will void the warranty and may impede operation of the fireplace.

A - Termination	PVTk-1
B - Flex Sections	PFL - 1 (12" f/f Section) PFL - 18 (18" f/f Section) PFL - 2 (24" f/f Section) PFL - 3 (36" f/f Section) PFL - 4 (48" f/f Section) PFL - 6 (72" f/f Section)
C - Rigid Sections	PXT - 5 (5" f/f Section) PXT - 10 (10" f/f Section) PEXT - 1 (12" f/f Section) PXT - 20 (20" f/f Section) PEXT - 2 (24" m/f Section) PEXT - 3 (36" m/f Section) PEXT - 4 (48" m/f Section) PEXT - 6 (72" m/f Section)
D - Support Ring & Plate	PSPXT-8
E - Firestop	PS-8
F - Roof Flashing	PRF-7 (1/12 - 7/12 pt.) PRF-12 (7/12 - 12/12 pt.)



Installation

Section 3-3: INSTALLING A WALL MOUNTED DIRECT VENT TERMINATION

This section applies to installations where the direct vent termination will be wall mounted.

1). Installation of Termination with built in frame

A Termination with a Built-In Frame is installed during framing of a structure.

1. Frame the termination opening to 11" x 11".
2. Install exterior sheathing to the structure framing.
3. Fasten the termination to the sheathing using a minimum of 4 screws.

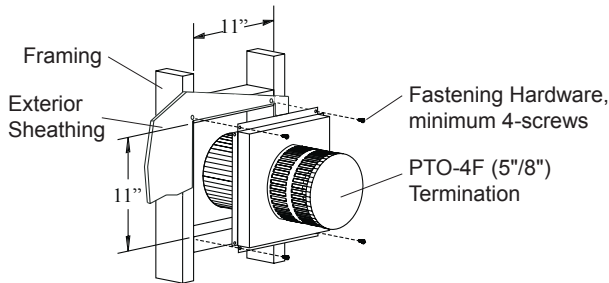


Figure 13. Installing a PTO-F termination.

2). Installation of termination frame at time of framing

Terminations with a MSR frame allow the installation of the frame prior to installation of the termination.

1. Frame the termination opening to 12" x 12".
2. Secure the MSR Frame to the exterior sheathing of the structure.
3. Fasten the termination to the MSR Frame using a minimum of 4 screws.

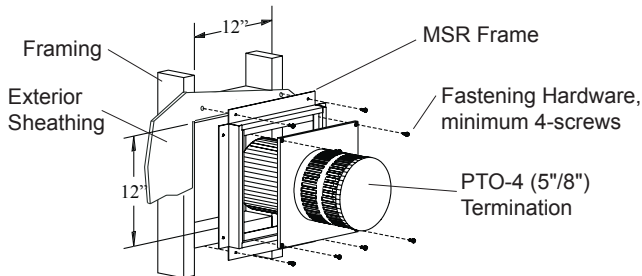


Figure 13a. Installing a PTO termination with the MSR frame.

3). Installation of termination frame at time of framing in Masonry

Terminations with a BSR frame allow the installation of the frame in masonry prior to the installation of the termination

1. Frame the BSR opening to 12" x 12".
2. Secure the BSR Frame to the exterior sheathing of the structure.
3. Fasten the termination to the BSR Frame using a minimum of 4 screws.

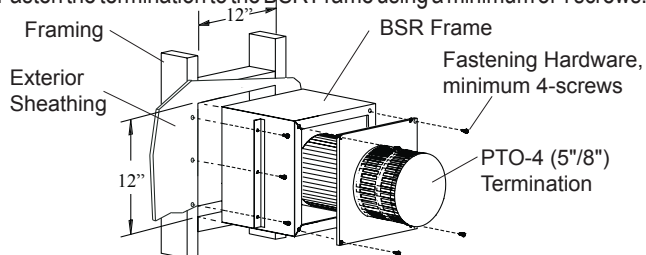


Figure 13c. Installing a PTO termination with the BSR frame.

4). Installation of termination from inside structure

A Termination with a MOSR Frame is installed from the inside of the structure. These are commonly used in high-rise construction.

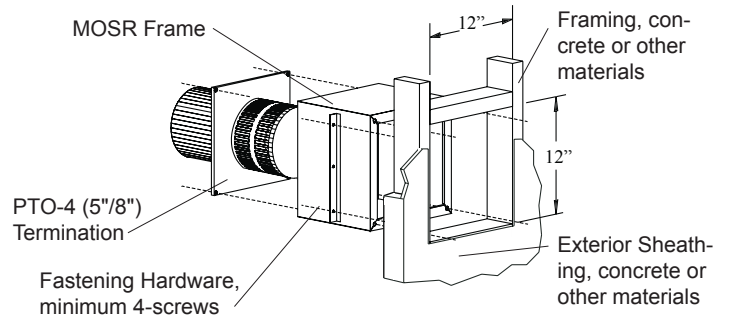


Figure 13b. Installing a PTO termination with the MOSR frame.

1. Frame the MOSR opening to 12" x 12".
2. Fasten the MOSR frame to the interior side of the studs, concrete, or finished wall construction using a minimum of 4 screws.
3. Insert the termination into the MOSR frame as shown here, (from the inside) and attach to the MOSR by installing a min. quantity of 4 bolts into the threaded nuts on the MOSR Frame.

5). Installation of a termination shield for Vinyl Siding

The VSS Termination shield is installed when the exterior of a structure is clad with Vinyl siding. It is placed directly above, and on-center with the termination.

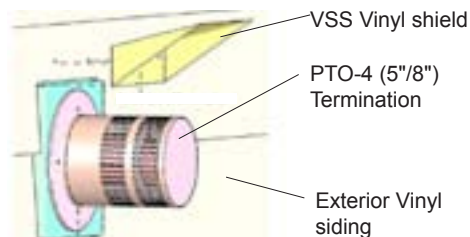


Figure 14. Installing the VSS Vinyl Shield.

Installing Heat Guards over Terminations is recommended in installations where the termination is located within 7' feet above grade, or above a pedestrian walkway, and may be Required by code in Public areas.

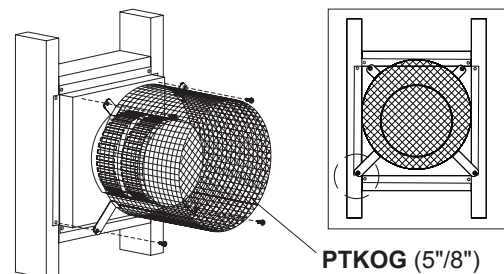


Figure 13c. Installing a PTO termination heat guard.

1. Ensure that the two **long** mounting brackets are facing the bottom of the termination. (See inset). This will provide more heat protection at the top of the termination, where temperatures are highest.
2. Attach to the faceplate of the termination using four sheet metal screws.

Installation



Section 3-3-1: VENTING LAYOUT: Wall mounted termination. Selection of components and details of venting layout should adhere to the following guidelines:

- Vent terminations must not be recessed in walls or siding.
- All through-the-wall terminations within 6' (total) of the fireplace must have a Montigo Heat Shield (RHS101) installed. See **Section 3-3-3**.
- All through-the-wall terminations beyond 6' of the fireplace must have a Montigo Heat Shield (RHS8) installed. See **Section 3-3-3**.
- Once the proposed venting layout has been determined refer to **Figure 14** to ensure the layout is acceptable.

Notes Wall Mounted Terminations: Top Vent

- All measurements for vertical or horizontal runs are measured from center of the vent pipe.
- Venting runs *must* fall within the limits set by the venting graph, see **Figure 14**.

Wall mounted Terminations

The following details are some possible configurations for Wall mounted terminations. See below.

The Venting Graph: L42DF-ST*

Measure the vertical height from the fireplace hearth to the centre of the termination and the horizontal run from the fireplace flue collar to the wall flange of the termination. Plot on the Venting Graph **Figure 14** with an 'X'. If the 'X' falls on or above the top boundary of the shaded area, the installation is acceptable.

Example A: (Unacceptable Installation)

If the vertical dimension from the hearth is 108" and the horizontal run to the wall flange of the vent termination is 180", **this would NOT be an acceptable installation**

Example B: (Acceptable Installation)

If the vertical dimension from the hearth is 78" and the horizontal run to the wall flange of the vent termination is 54", this would be an acceptable installation.

Example C: (Unacceptable Installation)

If the vertical dimension from the floor of the fireplace is 90" and the horizontal run to the wall flange of the vent termination is 108", **this would NOT be an acceptable installation**.

WARNING:

An inspection of the explosion relief flappers and door **MUST** be made prior to lighting the fireplace. A faulty seal on the door gasket and/or explosion ports will result in products of combustion leaking into the living space and may result in carbon monoxide poisoning.

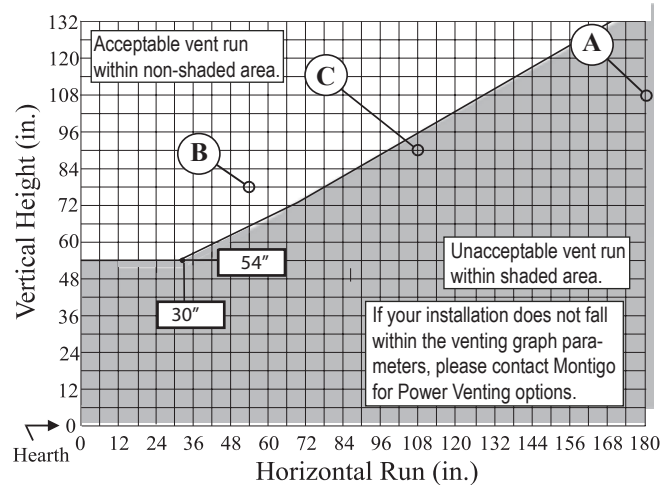


Figure 14. L42DF-ST* Top Vent Venting Graph for wall mounted terminations.

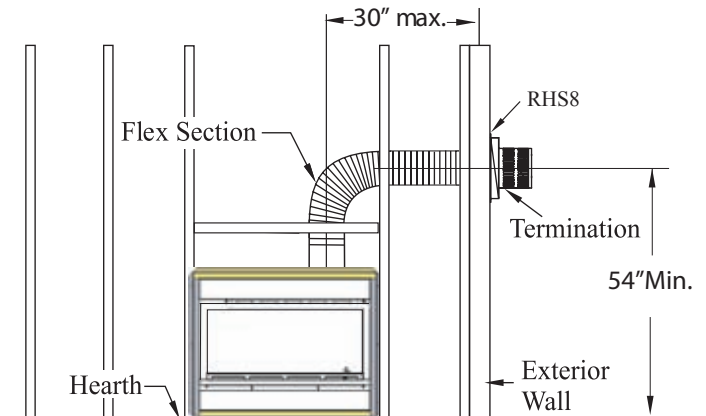


Figure 16. Top Vented, wall mounted installation with 1 elbow (1 one 90° bend). The vent run must comply with Venting Graph for Top vent, wall mounted terminations, **Figure 14**.

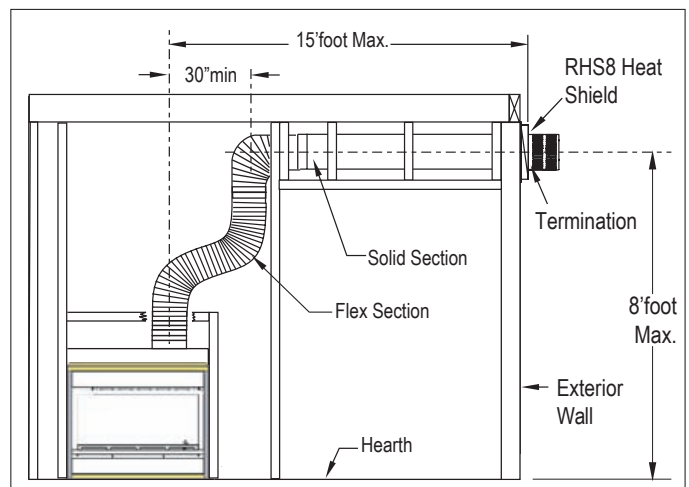


Figure 16a. Top Vented, wall mounted Multi-elbow installation. See Venting Graph for Top vent, wall mounted terminations, **Figure 14**.



Installation

Notes Wall Mounted Terminations: Side Vent

- All dimension lengths for vertical or horizontal runs are measured from center of the vent pipe.
- Venting runs *must* fall within the limits set by the venting graphs, see **Figure 17**.
- Fireplace must be converted to Rear Vent configuration prior to running vent, see **Figure 7 and 8**.

The Venting Graph

Measure the vertical height from the fireplace hearth to the centre of the termination and the horizontal run from the fireplace flue collar to the wall flange of the termination. Plot on the Venting Graph **Figure 17** with an 'X'. If the 'X' falls on or above the top boundary of the shaded area, the installation is acceptable.

Example A: (Acceptable Installation)

If the vertical dimension from the hearth is 120" and the horizontal run to the wall flange of the vent termination is 138", this would be an acceptable installation.

Example B: (Unacceptable Installation)

If the vertical dimension from the hearth is 48" and the horizontal run to the wall flange of the vent termination is 72", this would be **would NOT be an acceptable installation**.

Example C: (Unacceptable Installation)

If the vertical dimension from the floor of the fireplace is 60" and the horizontal run to the wall flange of the vent termination is 144", this would **NOT be an acceptable installation**.

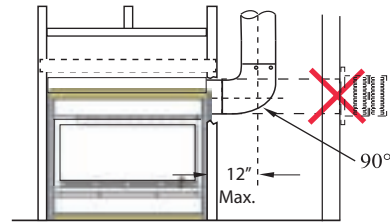


Figure 17a. Straight run, Side Vented, wall mounted termination for L42DF-ST*. NOTE: STRAIGHT THRU-WALL MOUNTED TERMINATION NOT AVAILABLE IN THIS CONFIGURATION. See figure 17 (Vent Graph) & 17b for alternate configuration.

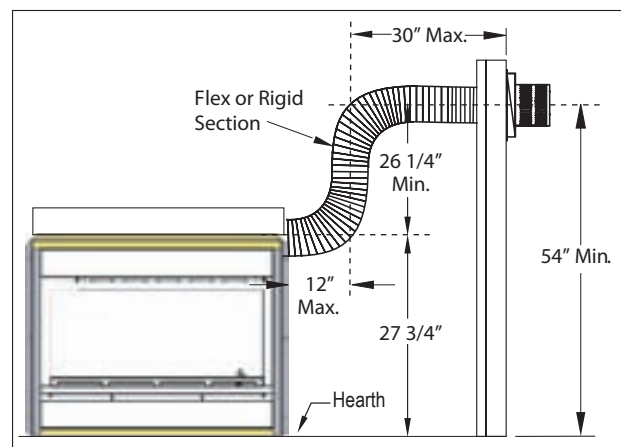


Figure 17b. Side Vented, wall mounted Multi-elbow termination installation. Installation for L42DF-ST must have a minimum vertical rise of 54". The vent run must comply with the Venting Graph for Side vent, wall mounted terminations, Figure 17.

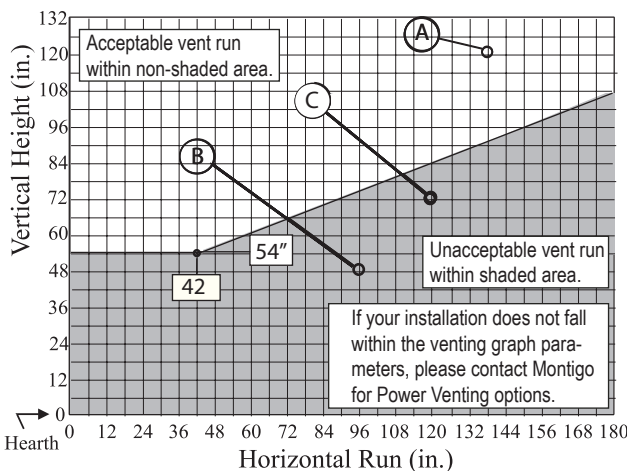


Figure 17. Side Vent Venting Graph for wall mounted terminations.

WARNING:

An inspection of the explosion relief flappers and door **MUST** be made prior to lighting the fireplace. A faulty seal on the door gasket and/or explosion ports will result in products of combustion leaking into the living space and may result in carbon monoxide poisoning.

Installation



Section 3-3-2: VENTING COMPONENTS

The following components and associated Montigo part numbers are available for installation of a Wall Mounted Termination. Use only Montigo Vent Components. Use of non-Montigo parts will void the warranty and may impede operation of the fireplace.

- When penetrating a combustible ceiling, a ceiling firestop must be used.
- Montigo recommends that all exterior corners and joints be sealed with exterior caulking however we encourage you to consult your Building Envelope Engineer or Waterproofing Consultant for further recommendations.

A - Termination	PTO-4 (3" Length) PTO-4F (3" Length)
B - Frame Kits	MSR (Stucco Frame) MOSR (Stucco Frame) BSR-4 (4" Brick Frame) BSR-6 (6" Brick Frame)
C - Flex Sections	PFL - 1 (12" f/f Section) PFL - 18 (18" f/f Section) PFL - 2 (24" f/f Section) PFL - 3 (36" f/f Section) PFL - 4 (48" f/f Section) PFL - 6 (72" f/f Section)
D - Rigid Sections	PXT - 5 (5" f/f Section) PXT - 10 (10" f/f Section) PEXT - 1 (12" f/f Section) PXT - 20 (20" f/f Section) PEXT - 2 (24" m/f Section) PEXT - 3 (36" m/f Section) PEXT - 4 (48" m/f Section) PEXT - 6 (72" m/f Section)
E - Elbows	PEL-90MM (m/m 90° Elbow) PEL-90FF (f/f 90° Elbow) PEL-90FM (f/m 90° Elbow) PEL-45FM (f/m 45° Elbow)

Connection and installation of the vent components should adhere to the following guidelines:

- Use any combination of rigid and Flex pipe as required.
- Flex sections may be stretched up to 50% of their total length (e.g. a 24" section maybe stretched to 36").
- Connect all vent sections using a minimum of three sheet metal screws on the outer pipe flue..
- Ensure the pipe ends male to female slide in a minimum of 1 1/2" of overlap.
- Ensure all runs are supported with a minimum of 3 supports per 10' of venting.
- When hanging/ supporting venting, ensure that 1" clearance is maintained on sides and bottom of vent runs and 2" above horizontal vent runs to any combustible material.
- Ensure when cutting sections of rigid pipe to maintain integrity of internal supports.
- Place the springs, supplied with the pipe kit, between the outer and inner pipes to keep the pipes separate and avoid any possible hot spots.
- Montigo recommends the use of a flex section for the final pipe connected directly to the fireplace offering greater flexibility of installation and absorption of movement.



Installation

Section 3-3-3: Heat Shields

Installing a Wall Mounted RHS8 Heat shield

The RHS8 Heat shield **CANNOT** be used when the Termination is **WITHIN (36" Min. horizontal and 46" Min. vertical)** from the fireplace, or directly off the rear of the fireplace, as shown **figure 19a**. The RHS101 Heat Shield (**Figure 19c and 19d**) **MUST** be used within the noted dimensions.

To install the RHS8, frame an opening in combustible construction, **Figure 19** below. Slide the Heat shield in place over the vent pipe which attaches to the fireplace. After the fireplace and vent pipe has been installed, clearances should match the dimensions in **Figure 19**.

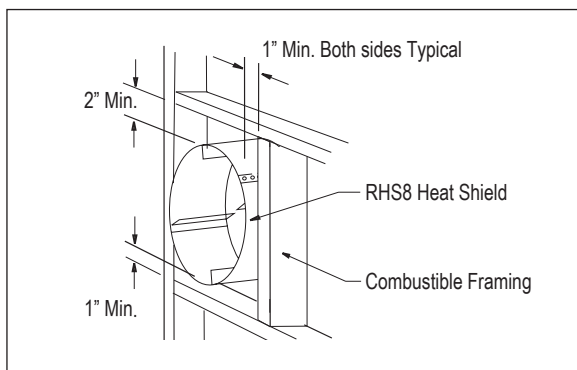


Figure 19. RHS8 Installation. (Install by sliding over vent pipe where it passes through the combustible construction).

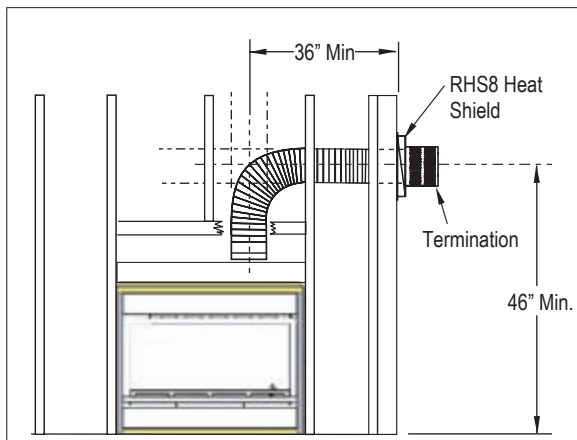


Figure 19a. RHS8 Installation within 6' (Minimum requirements).

Installing a Wall Mounted RHS101 Heat shield.

The RHS101 Heat shield **MUST** be used where the RHS8 Termination (**Figure 19 and 19a**) **CANNOT** be used. **Use the RHS101 where any of the dimensions are within the parameters shown, figure 19a.**

To install the RHS101, Slide the Inner Section over the vent pipe that will connect to the fireplace. Then fasten the vent pipe to the back of the fireplace with a minimum of three sheet metal screws. From the outside slide the RHS101 outer section on see **Figure 19c**. To complete the installation fasten the Heat Shield Outer Section & Termination frame to the structure **Figure 19d**.

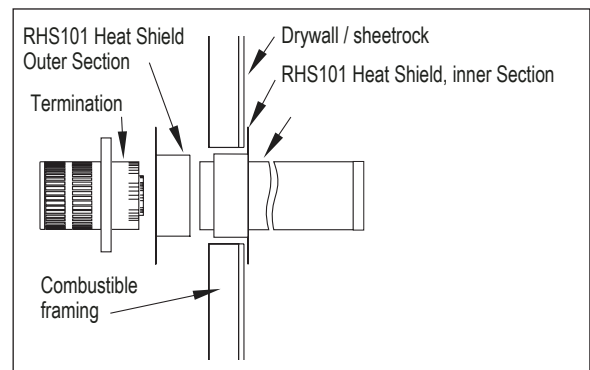


Figure 19c. RHS101 Installation. (Install by sliding Outer Section over vent pipe where it passes through the combustible construction).

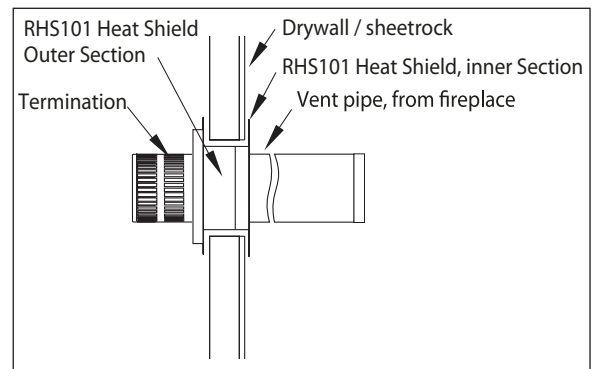


Figure 19d. Heat Shield. After sliding the outer section in place.

Installation



Section 4: Wiring

Models Included
L42FSDNI
L42FSDLI

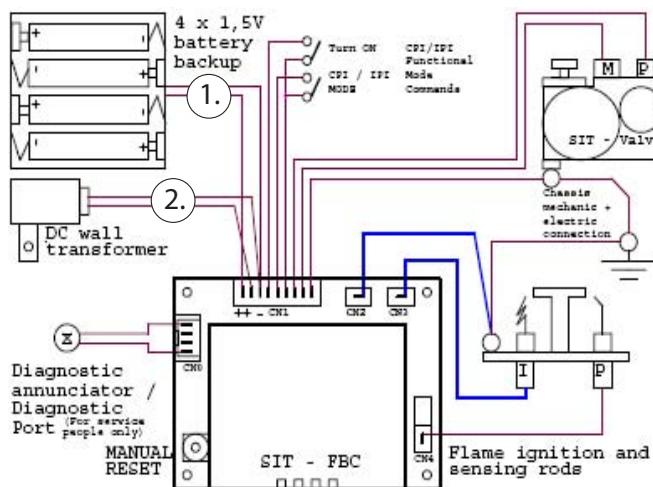
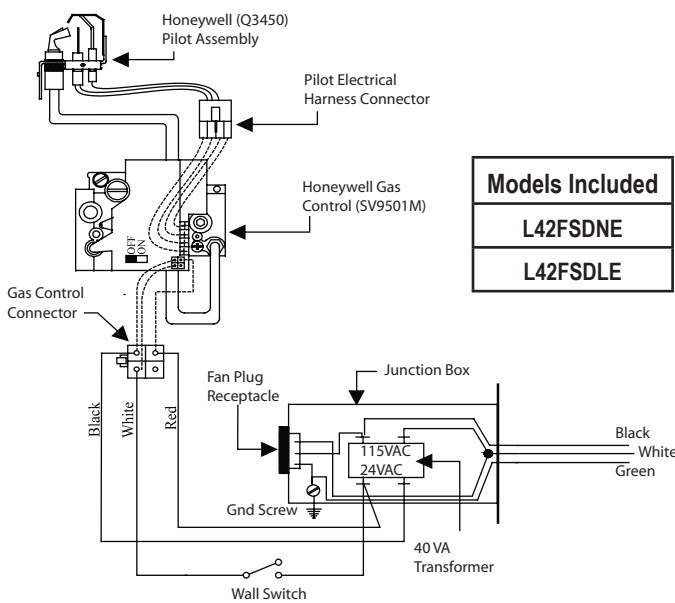


Figure 21. Wiring for the SIT IPI Wiring Schematic

Wiring Schematic for Honeywell gas control & Pilot



Models Included
L42FSDNE
L42FSDLE

Figure 21a. Wiring for the L42DF-ST-E with Honeywell gas control and pilot.

Wiring for the optional Fan Kit

All L42DF-ST* fireplaces may be equipped with optional fan kits for circulating heat into the living space.

Installations in Canada which employ the fans must be electrically grounded in accordance with **CSA C22.1** Canadian Electrical Code Part 1 and/or Local Codes.

Installations in the USA which employ the fans must be grounded in accordance with local codes or, in the absence of local codes, with the National Electrical Code, **ANSI/NFPA 70**.

For more information see the **Fan Kit Installation Guide** included with the fan kit.

NOTE: If any of the original wire supplied with the appliance is replaced, it must be replaced with the same type, or its equivalent.

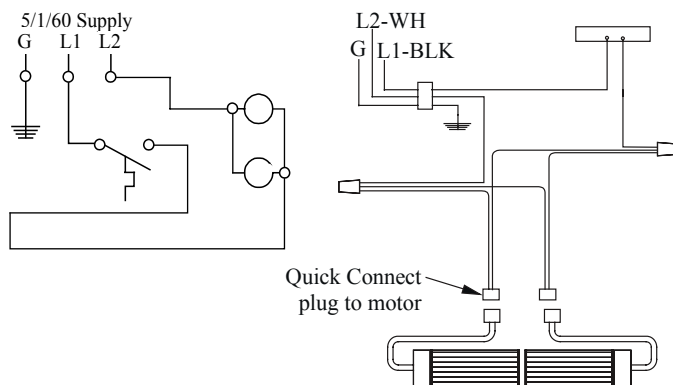


Figure 21b. Wiring schematic for optional fans.



Installation

Section 5: Installing the Gas Line

Section 5-1: FUEL CONVERSION

- Verify that your fireplace is compatible with your available gas type. (Natural Gas or Propane shown by "N" or "L" in your model number)
- If gas type is not compatible, contact your local Montigo representative to purchase a conversion kit.
- Conversion kits must be installed by a qualified service technician.

Section 5-2: GAS PRESSURE

- Optimum appliance performance requires proper input pressures.
- Gas line sizing requirements will be determined in ANSI Z223.1 National Fuel Gas Code in the USA and CAN/CGA B149 in Canada.
- Pressure requirements are:

Gas Pressure	Natural Gas	Propane
Minimum inlet pressure	5.5in. w.c.	11in. w.c.
Manifold pressure	3.5in. w.c.	10in. w.c.

- The manifold outlet pressure is set from the factory to the appropriate pressure but should be verified.
- To check pressures, control valves have a provision to remove a 1/8" N.P.T. plug to be fitted with a hose barb.
- Montigo requires a service shut off valve be located in an accessible location to isolate the gas supply.
- Only install gas shut-off valves approved for use by the state, province, or other governing body in which the fireplace is being installed.

Section 5-3: GAS CONNECTION

- See **Figure 22** below for location of gas line access.
- Flexible gas connectors must not exceed 3 feet in length, unless allowable within local regulations.
- Connect incoming gas line to the 1/2" or 3/8" gas inlet port.
- Purge all air out of gas line.
- Check appliance connection, valve and valve train under normal operating pressure with a commercially available leak check solution.
- **DO NOT USE A FLAME OF ANY KIND TO TEST FOR LEAKS.**

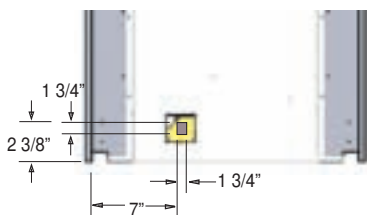


Figure 22. Gas line access.

Note: After gas line is connected, **each appliance connection, valve and valve train** must be checked while under normal operating pressure with either a liquid solution, or leak detection device, to locate any source of leak. Tighten any areas where bubbling appears or leak is detected until bubbling stops completely or leak is no longer detected. **DO NOT use a flame of any kind to test for leaks.**



WARNING!

When pressure testing the fireplace, Gas line, and input system follow the appropriate local codes or your area. **DO NOT** connect the fireplace to pressures in excess of 1/2lb. This will damage the gas control valve.

Installation



Section 6: Finishing

Finishing Around the Fireplace

Combustible mantels and mouldings may be safely installed over the top and on the front of the fireplace provided that they do not project beyond shaded area shown in **Figure 24**.

Fireplace Facing

When sizing the finish material for your fireplace, it is important to remember the following: **THE OPENING MUST NOT BE OBSTRUCTED IN ANY WAY - to do so restricts the air supply for the control compartments and heat exchanger it also prevents access for servicing controls.**

The face of the fireplace may be painted to match the room decor, provided you use a heat-resistant paint. Decorative facing must not extend past the fireplace opening at all, because it will interfere with the access to retainers for removal of glass door.

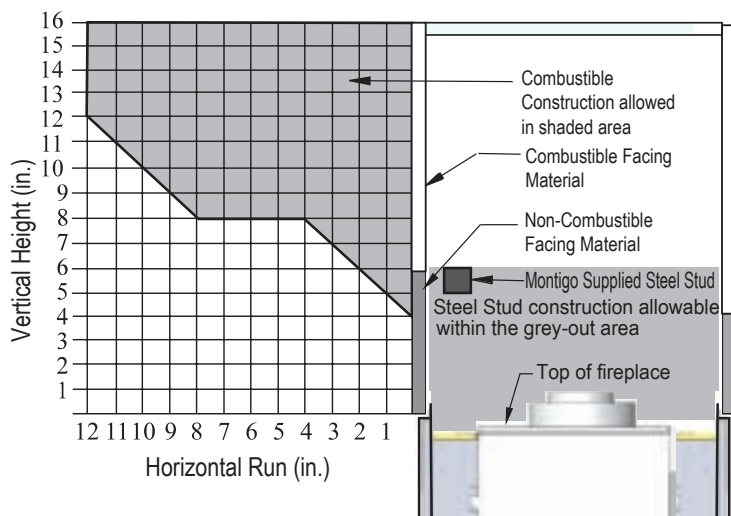


Figure 24. Combustible mantels and facings, (Both Sides Typical).

Installing the Nailing Flange Extension

Once the fireplace is placed into the rough framed opening, and the supplied steel lintel is in place, (Part No. L42087) (see **Figure 2**),

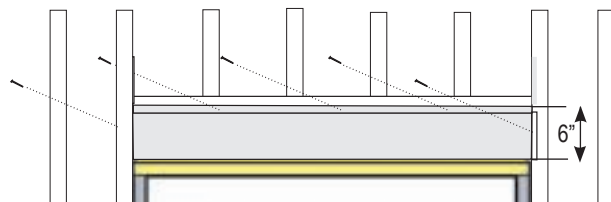


Figure 24a. Installing the Nailing Flange Extension.

The supplied nailing extension must be placed along the top edge of the fireplace and securely fastened in place to the metal lintel, and combustible wood framing. Note: The nailing flange extension can be substituted with a piece of NON-Combustible material of the same size and thermal characteristics, ie: cement board or equivalent.



WARNING!

We recommend careful consideration be given to the effects of elevated mantel temperatures which may be in excess of product design, for example: candles, plastic or pictures. This can cause melting, deformation, discoloration or premature failure of T.V. radio, and other electronic components.



WARNING!

When covering the upper metal portion of the fireplace, up to 4" (as shown, **Fig.24**) with a non-combustible material **Please Note:** The decorative facing materials may be subject to temperatures in excess of 250° F. This should be considered when selecting facing materials.



CAUTION

Glass doors on gas fireplaces are **extremely hot** while the fireplace is on and remain hot even after the fireplace has been turned off. Safety screens are available and can reduce the risks of severe burns. Please keep children away from the fireplace at all times.

NOTICE

Do not use ammonia based or abrasive cleaners on the glass, they will permanently etch the surface. Use an approved gas fireplace glass cleaner such as Kel-Kem or White off.



Installation

Section 7: Installing & Removing the Door

Removing the door:

The L42DF* doors are removed in a few simple steps. Follow these below to remove the Horizontal access panel, unlatch the door buckles and, remove the door. Replace in reverse order.

Remove the Horizontal Access Panel:

Step 1: Remove the Horizontal Access Panel:

Remove the Horizontal cover by placing fingers in both finger holes, then pushing away from you and lifting out. Place it aside during maintenance or cleaning. Install in reverse order.




Figure 26. Removing and installing the the Horizontal Access Panel

Step 2: Locate the Door Buckles:

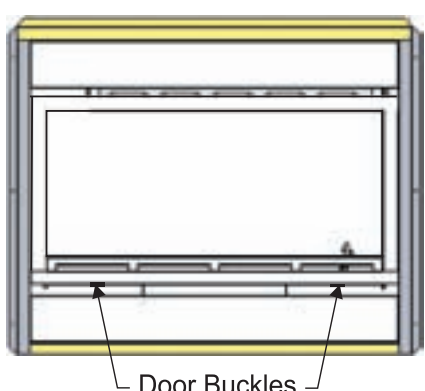


Figure 26a. Locate the door buckles. (Both Sides Typical)

Step 3: Release the Door Buckles



Figure 26b. Door buckle Tool

Step 4:

Firmly grasp hand-hold end of Door buckle tool and place the machined end in the slot under door frame. (as shown)




Figure 26c.

Step 5:

Ensure the tool is firmly in the lower end of the slot, (as shown), Then pull toward you (Caution: hold the tool securely).

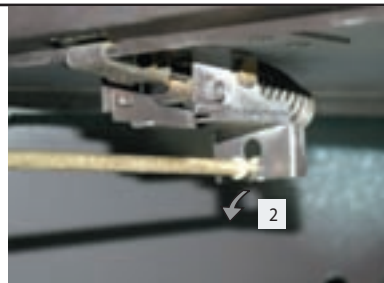


Figure 26d.

Step 6:

Pull hard if necessary to release the spring tension. (Caution: The latch springs back with force, hold the tool securely).

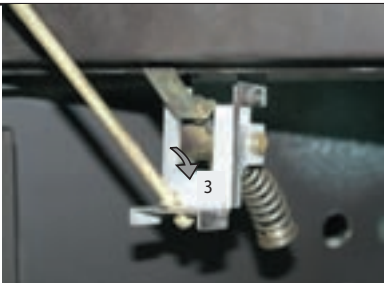


Figure 26e.

Step 7:

Remove the tool from the latch slot. Ensure the latches are hanging freely, the hook end is released from the bottom of the door. (Repeat all 4-steps for the remaining latches).

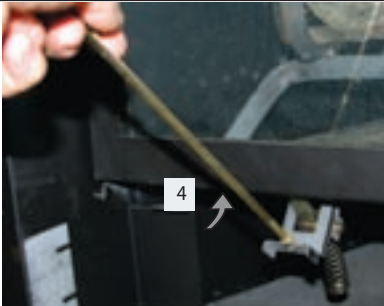


Figure 26f.

Step 8: Removing the Door:

Grasp the Door on either side, usually midway and lift upward, lift the door carefully up and away from the front of the fireplace. See **Figures 26g**. Place the Door aside in a safe place while maintenance and / or cleaning is being performed.

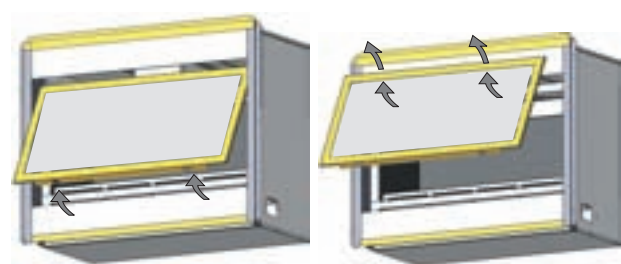


Figure 26g. Removing and installing the glass doors. (Both Sides Typical)

Installing the Door:

To install the door, hook the top edge of the door frame into place. Lower the door into position and follow the previous steps shown in reverse order.

Installation



Section 8: Installing the Accessories

Installing the Firestones: N.G. (Natural Gas) Fireplaces

The L42DF* is supplied with firestones. Remove the Door and trim as shown in the previous Instruction. Follow these instructions to ensure all parts are removed or replaced as required. Once the Trim and glass doors are removed place the firestones randomly across the pan and the burners as described in **Figure 27 to 27c**.

Note: (N.G.) Natural Gas models, Only cover the Optional burner covers with one layer of designer firestones.



Figure 27. Installation of the Optional burner covers , (Place the covers end to end; do not overlap).



Figure 27a. Installation of the firestones. (Ensure ONLY one layer of firestones cover the burner and pilot covers).



Figure 27b. Spreading the firestones evenly .



Figure 27c. Completed firestone installation.

Installing the Firestones: L.P. (Propane) Fireplaces

Propane L42DF* Fireplaces, has the option of installing the optional cultured rocks or firestones. As described below, CAUTION, the firestones or cultured rocks cannot cover the burners. Doing so produces an undesirable / uneven flame pattern, and eventual sooting. Install as shown, **Figure 28 to 28a**.



CAUTION!

When L.P. (Propane) is used **DO NOT COVER THE BURNERS** with firestones or river rocks.

Note: (LP Gas) CAUTION: Ensure the optional river rocks or designer firestones do not cover the Burners.



Figure 28. Completed firestone installation. (Note: DO NOT place ANY firestones on top of the burners).



Figure 28a. Operating Propane gas fireplace with firestones surrounding burner tray.

Optional River Rocks

The L42DF*-ST has the option of installing the cultured rocks which mimic real stone. These may be spaced at random, or in a visual pattern of your preference. See the Montigo web site for photographs and ideas.

www.montigo.com



CAUTION!

If the firestones are not placed properly (ONE LAYER ONLY), ON N.G., uneven flame pattern will result. The firestones will get very hot while the fireplace is in operation, and should not be handled until cool.



Operation

Section 9: Start-up Sequence

with Continuous Pilot

For Your Safety - READ BEFORE LIGHTING:

WARNING

If the information in these instructions is not followed exactly, a fire or explosion may result causing property damage, personal injury or death.

Models

L42DFN-ST

L42DFL-ST

A. This appliance has a pilot which must be lighted by hand. When lighting the pilot, follow these instructions exactly.

B. BEFORE LIGHTING smell all around the appliance area for gas. Be sure to smell next to the floor because some gas is heavier than air and will settle on the floor.

What To Do If You Smell Gas:

- Do not try to light any appliance.
- Do not touch any electrical switch; do not use any phone in your building.
- Immediately call your gas supplier from a neighbour's phone.

Follow the gas supplier's instructions.

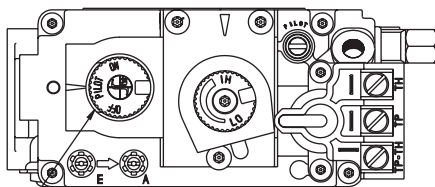
- If you cannot reach your gas supplier, call the Fire Department.

C. Use only your hand to push in or turn the gas control knob. Never use tools. If the knob will not push in or turn by hand, don't try to repair it, call a qualified service technician. Force or attempt to repair may result in a fire or explosion.

D. Do not use this appliance if any part has been under water. Immediately call a qualified service technician to inspect the appliance and to replace any part of the control system, and any gas control which has been under water.

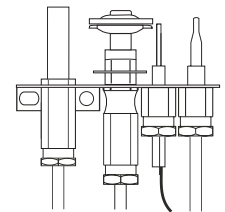
Lighting Instructions:

1. **STOP!** Read the safety information above on this label.
2. Lift out the lower Horizontal access panel.
3. Push in gas control knob and turn clockwise to "OFF."
4. Wait five (5) minutes to clear out any gas. Smell for gas, including near the floor. If you then smell gas, **STOP!** Follow "B" in the safety information above on this label. If you don't smell gas, go to the next step.
5. Locate pilot burner (*See illustration at right.*) and follow steps below.
6. Turn knob on gas control counter clockwise to "PILOT."
7. Push in gas control knob completely and hold. Light with Piezo Igniter button. Continue to hold the control knob in for about (1) minute after the pilot is lit. Release the knob and it will pop back up. Pilot should remain lit. If it goes out repeat steps 3 through 8.
 - If knob does not pop up when released. Stop and immediately call your service technician or gas supplier.
 - If the pilot will not stay lit after several tries, turn the gas control knob to "OFF" and call your service technician or gas supplier.
8. Push in gas control knob and turn counter-clockwise to "ON."
9. Replace the lower Horizontal access panel.
10. Turn on remote switch to ignite fire.



Gas Control Knob
(Shown in "Pilot" position.)

NOTE: Gas control knob cannot be turned from "PILOT" to "OFF" unless knob is pushed in slightly. Do not force.



To Turn Off Gas To Appliance:

1. Turn off remote switch.
2. Lift out the lower Horizontal access panel.
3. Push in gas control knob slightly and turn clockwise to "Off". Do not force.
4. Replace the lower Horizontal access panel.

Operation



Proflame SIT Electronic Ignition

For Your Safety - READ BEFORE LIGHTING:



WARNING

If the information in these instructions is not followed exactly, a fire or explosion may result causing property damage, personal injury or death.

Models

L42DFNI-ST

L42DFLI-ST

A. This appliance is equipped with an ignition system that lights the pilot burner automatically. Do not attempt to light the pilot by hand.

B. BEFORE LIGHTING smell all around the appliance area for gas. Be sure to smell next to the floor because some gas is heavier than air and will settle on the floor.

What To Do If You Smell Gas:

- Do not try to light any appliance.
- Do not touch any electrical switch; do not use any phone in your building.
- Immediately call your gas supplier from a neighbour's phone.

Follow the gas supplier's instructions.

- If you cannot reach your gas supplier, call the Fire Department.

C. Use only your hand to push in or turn the gas control knob. Never use tools. If the knob will not push in or turn by hand, don't try to repair it, call a qualified service technician. Force or attempt to repair may result in a fire or explosion.

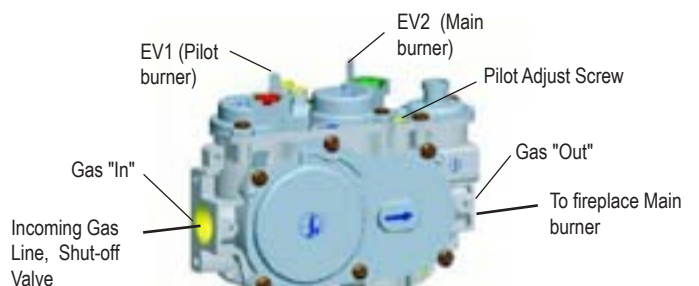
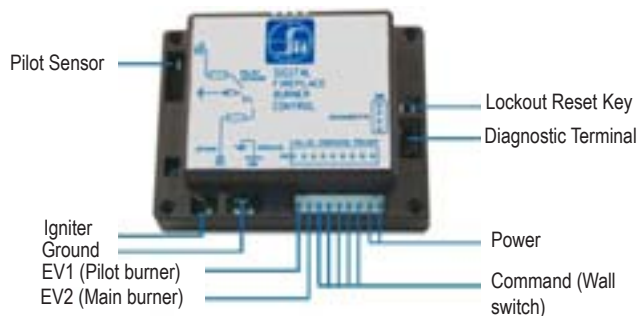
D. Do not use this appliance if any part has been under water. Immediately call a qualified service technician to inspect the appliance and to replace any part of the control system, and any gas control which has been under water.

Lighting Instructions:

1. **STOP!** Read the safety information above on this label.
2. Remove the lower Horizontal access panel.
3. Turn Incoming gas valve to the "ON" position.
4. Wait 5 minutes to clear out any gas. If you smell gas, STOP! Follow "B" in the safety information above on this label. If you don't smell gas, go to the next step.
5. Turn wall switch "ON".
6. If the Fireplace does not light, the System will cycle through two

trials, (one minute audible clicking, thirty seconds of silence, and then another one minute of audible clicking).

7. After completion of the information in the Troubleshooting section, Repeat step 5.
8. If the system will not function correctly, follow the instructions "To Turn Off Gas To Appliance" and call your service technician or gas supplier.



To Turn Off Gas To Appliance:

1. Turn off remote switch.
2. Remove the lower Horizontal access panel.
3. Turn the incoming gas control valve to "Off".
4. Replace the lower Horizontal access panel.



Maintenance

Lighting Instructions See pages 21 to 23.

General

Have the fireplace and installation inspected yearly. The inspection must include, but is not limited to, the following:

- A visual check of the entire vent system and termination.
- An inspection of the explosion relief flappers and the door gaskets to ensure a proper seal.
- An inspection of the burner, vent run, and primary air openings.
- An inspection of the gas valve, gas components, and pilot flame. For your convenience a 1/8" manifold pressure tap is supplied on the gas valve for a test gauge connection.
- Ensure proper log placement as per this manual.
- Inspection of all optional equipment; fans, thermostats, etc.
- For Natural Gas this appliance requires a minimum inlet pressure of 5.5" W.C. and a manifold pressure of 3.5" W.C.
- For Propane Gas this appliance requires a minimum inlet pressure of 11" W.C. and a manifold pressure of 10" W.C.
- Always keep the fireplace area clear and free of combustible materials, as well as gasoline and other flammable vapors and liquids.
- Do not use this appliance if any part has been under water. Immediately call a qualified service technician to inspect the appliance and to replace any part of the control system and any gas control which has been under water.

Cleaning

When the fireplace is first activated, there may be some smoke and a visible film may be left on the glass. This is a normal condition, and is the result of burning of protective coatings on new metal.

- Glass must be cleaned periodically to remove any film (which is a normal by-product of combustion) which may be visible. Film can easily be removed by removing the door, as shown on Page 19. Handle the door carefully, and clean it with non-abrasive glass cleaners. One of the most effective products is Kel Kem.
- Silicone seals on inner door during initial firing will "off gas", leaving a visual deposit of a white substance on combustion chamber walls. This can easily be removed using normal household products.
- Use a vacuum cleaner or whisk broom to keep the control compartment, burner, and firebox free from dust and lint.
- Logs may be cleaned periodically with a vacuum to remove soot or other contaminants.

Hi-Lo Burner Adjustment: (SIT Nova 820).

The L42DF* is equipped with an adjustable burner, allowing you to raise or lower the flames. To adjust the flames, locate the black knob marked 'Hi-Lo', in the centre of the gas control valve (See Figure 32).

- To raise the flame height, turn the black knob (located behind the lower trim) counter-clockwise.
- To lower the flame height, turn clockwise.

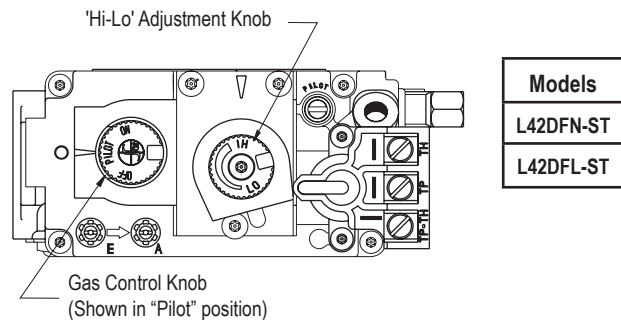
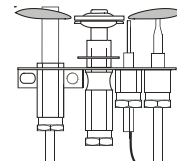


Figure 32. 'Hi-Lo' Adjustment on the L42DF* s gas valve,

Pilot Burner Adjustment: (SIT Nova 820).

1. Locate Pilot Adjustment Screw. (See **figure 33**.)
2. Adjust pilot screw to provide properly sized flame as shown.



3. After installing or servicing, leak test with a soap solution with main burner on. Coat pipe and tubing joints, gasket etc. with soap solution. Bubbles indicate leaks. Tighten any areas where the bubbles appear until the bubbling stops completely.

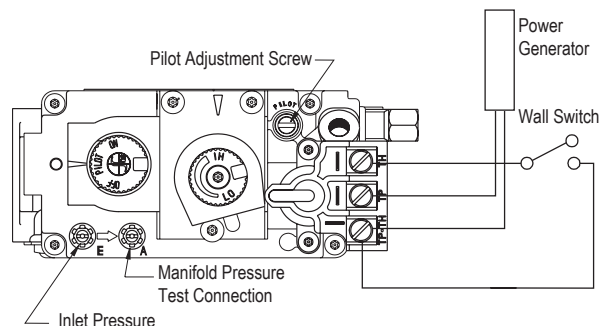


Figure 33. 'Pilot' Adjustment on the L42DF* s gas valve.

Maintenance



Troubleshooting: (SIT Nova 820).

Models
L42DFN
L42DFL

The following is a troubleshooting chart of possible problems:

PROBLEM	SOLUTION
Noisy Pilot Flame	Locate pilot adjustment screw on gas control valve. Flame is decreased by turning adjustment screw clockwise.
Pilot won't ignite	Disconnect remote wires and try to light pilot. If pilot now works, remote connections are faulty. Check wiring diagram figure 33.
Main burner will not ignite	1. Check wiring (see figure 33). 2. Check wall switch for proper connection.

Troubleshooting: (IPI System).

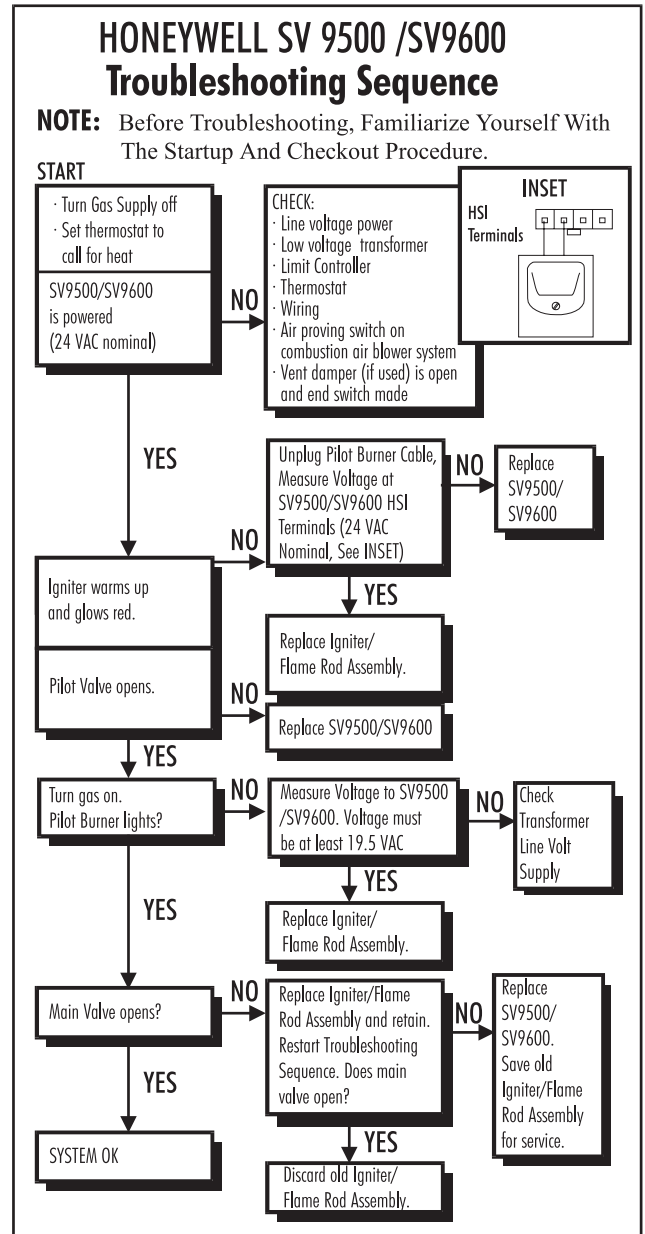
The following is a troubleshooting chart of possible problems:

PROBLEM	SOLUTION
Pilot won't ignite or spark.	- Check the on the batteries on the remote or the receiver. - Check the green LED on AC adaptor - Check the green ground wire under the valve
Main burner will not light.	- Check the wiring on the valve as per diagram
Fan not working	- Make sure the fan speed control is on. - 10 minute delay to turn on.

If your fireplace still does not operate correctly, consult your dealer or the manufacturer.

Troubleshooting: (Honeywell).

Models Included
L42FSDNE
L42FSDLE



If your fireplace still does not operate correctly, consult your dealer or the manufacturer.

All service and repairs should be performed by a qualified Technician.

All spare parts, optional fans, and optional trim finishes are available from your local dealer or the manufacturer.

Replacement Parts

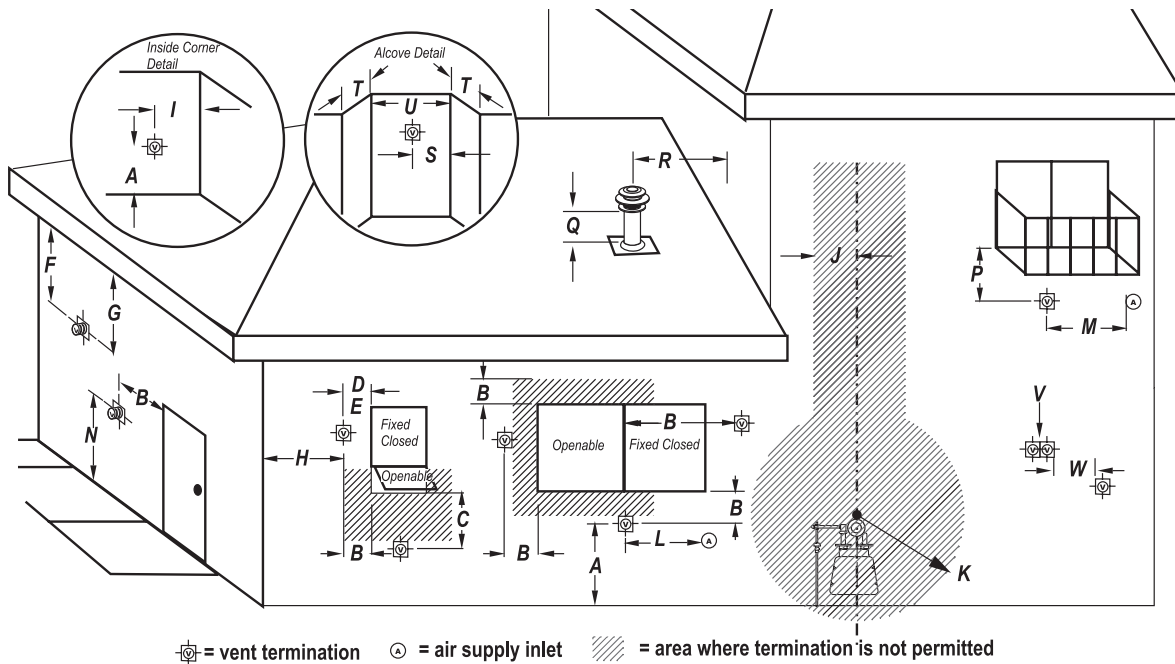


Spare Parts List

	L42FSDN	L42FSDNE	L42FSDNI
NG Gas Valve	RGC1006		RGC1004
LP Gas Valve	RGC1005		RGC1003
NG Pilot	RPA020		RPA003
LP Pilot	RPA021		RPA004
NG Burner	Contact Local Dealer		
LP Burner			
NG Oriface	R0R00952		R0R00948
LP Oriface	R0R00961		R0R00956
Door	RDTL42		RDTL42
Base	RLG549		~

Appendix

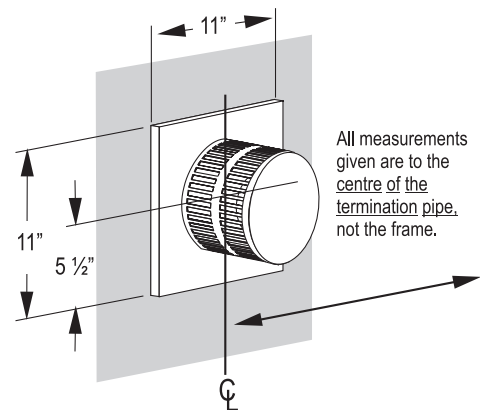
Appendix A: Termination Locations



⊕ = vent termination ⊙ = air supply inlet ▨ = area where termination is not permitted

- A = clearance to the termination frame above grade, veranda, porch, deck, or balcony [16 inches (41 cm) minimum]
- B = clearance to door, or sides and top of window, that may be opened [16 inches (41 cm) minimum for appliances ≤100 000 BTU/H (30kW)]
- C = clearance to bottom of window that may be opened horizontally [36 inches (92 cm) minimum for appliances ≤100 000 BTU/H (30kW)]
- D = no clearance to permanently closed window when installed with approved glass penetration termination
- E = clearance to permanently closed window [16 inches 41 cm recommended to prevent condensation on window]
- F = vertical clearance to ventilated soffit located above the termination within a horizontal distance of 2 feet (61 cm) from the centreline of the termination [22 inches (56 cm) minimum]
- G = clearance to unventilated soffit [16 inches (41 cm) minimum to non-combustibles] [22 inches (56 cm) minimum to combustibles]
- H = clearance to outside corner [9 inches (23 cm) minimum]
- I = clearance to inside corner [12 inches (31 cm) minimum]
- J = * not to be installed above a meter/regulator assembly within 40" (103 cm) horizontally from the centreline of the regulator
- K = clearance to service regulator vent outlet [3 feet minimum in the United States] [*6 feet (1.8 m) minimum in Canada]
- L = clearance to non-mechanical air supply inlet to building or the combustion air inlet to any other appliance [16 inches (41 cm) minimum for appliances ≤100 000 BTU/H (30kW)]
- M = clearance to mechanical air supply inlet [*6 feet (1.8 m) minimum]
- N = † clearance above paved sidewalk or a paved driveway located on public property [*7 feet (2.1 m) minimum]
- P = clearance under veranda, porch, deck, or balcony [16 inches (41 cm) minimum‡ to non-combustibles] [22 inches (56 cm) minimum‡ to combustibles]
- Q = clearance above a roof [24 inches (61 cm) minimum]
- R = clearance to adjacent walls and neighboring buildings [18 inches (46 cm)

- minimum]
- S = clearance from corner in recessed location [12 inches (31 cm) minimum]
- T = maximum depth in recessed location [48 inches (122 cm) minimum]
- U = minimum width for back wall of recessed location [24 inches (61 cm) minimum]
- V = no horizontal clearance between the frames of two terminations that are level.
- W = horizontal clearance between the frames of two terminations that are not level. [36 inches (92 cm) minimum]
- † a vent shall not terminate directly above a sidewalk or paved driveway which is located between two single family dwellings and serves both dwellings
- ‡ only permitted if veranda, porch, deck, or balcony has an open side that is equal to or greater than the depth of the enclosed area
- * as specified in CGA B149 Installation Codes. Note: local Codes or Regulations may require different clearance.



Appendix

Appendix B: Warranty

The Warranty

The Companies warrants the Montigo Gas Appliance to be free from defects in materials and workmanship at the time of manufacture. On the Montigo fireplace, there is a ten-year warranty on the firebox and its components, a five-year warranty on the main burner and pilot burner, and a one-year warranty on the gas control valve, fibre logs and Power Vent Module. The Glass, plated / painted finishes, and refractory lining are exempt from the warranty.

Remedy And Exclusions

The coverage of this Warranty is limited to all components of the Gas Appliance manufactured by The Companies.

This Warranty only covers Montigo Gas Appliances installed in the United States or Canada.

If the components of the Gas Appliance covered by this Warranty are found to be defective within the time frame stated (see The Companies right of investigation outlined below). The Companies will, at its option, replace or repair defective components of the Gas Appliance manufactured by The Companies at no charge, and will also pay for reasonable labour costs incurred in replacing or repairing components. If repair or replacement is not commercially practical, The Companies will, at its option, refund the purchase price of the Montigo Gas Appliance.

This Warranty covers only parts and labour as provided above. In no case shall The Companies be responsible for materials, components, or construction which are not manufactured or supplied by The Companies, or for the labour necessary to install, repair or remove such materials, components or construction. All replacement or repair components will be shipped F.O.B. the nearest The Companies factory.

Qualifications To The Warranty

The Gas Appliance Warranty outlined above is further subject to the following qualifications:

- (1) The Gas Appliance must be installed in accordance with The Companies installation instructions and local building codes. The Warranty on this Montigo Gas Appliance covers only the component parts manufactured by The Companies. The use of components manufactured by others with this Montigo Gas Appliance could create serious safety hazards, may result in the denial of certification by recognized national safety agencies, and could be in violation of local building codes. This warranty does not cover any damages occurring from the use of any components not manufactured or supplied by The Companies
- (2) The Montigo Gas Appliance must be subjected to normal use. The Gas Appliances are designed to burn gas only. Burning conventional fireplace fuels such as wood, coal or any other solid fuel will cause damage to the Gas Appliance, will produce excessive temperatures and will result in a fire hazard.

Limitations On Liability

It is expressly agreed and understood that The Companies sole obligation, and purchaser's exclusive remedy under this Warranty, under any other warranty, expressed or implied, or in contract, tort or otherwise, shall be limited to replacement, repair, or refund, as specified above.

In no event shall The Companies be responsible for any incidental or consequential damages caused by defects in its products, whether such damage occurs or is discovered before or after replacement or repair, and whether or not such damage is caused by The Companies negligence. Some states do not allow the exclusion or limitation of incidental or consequential damages, so the above limitation or exclusion may not apply to you. The duration of any implied warranty with respect to this Montigo Gas Appliance is limited to the duration of the foregoing warranty. Some states do not allow limitation on how long an implied warranty lasts, so the above may not apply to you.

Investigation Of Claims Against Warranty

The Companies reserves the right to investigate any and all claims against this Warranty and to decide upon method of settlement.

The Companies Are Not Responsible For Work Done Without Written Consent

The Companies shall in no event be responsible for any warranty work done without first obtaining The Companies written consent.

Dealers Have No Authority To Alter This Warranty

The Companies employees and dealers have no authority to make any warranties nor to authorize any remedies in addition to or inconsistent with those stated above.

How To Register A Claim Against Warranty

In order for any claim under this Warranty to be valid, The Companies must be notified of the claimed defect in writing or by telephone, as soon as reasonably possible after the defect is discovered. Claims against this Warranty in writing should include the date of installation, and a description of the defect.

Other Rights

This Warranty gives you specific legal rights, and you may also have other rights which vary from state to state.

NOTE: *The Companies as stated above refer to - Canadian Heating Products Inc. and/or Montigo Del Ray Corp.*

Canadian Heating Products Inc. and/or Montigo DelRay Corp. reserves the right to make changes at any time, without notice, in design, materials, specifications, prices and also to discontinue colors, styles and products.

Appendix

Appendix C: State of Massachusetts

Amendment

(Gas Fireplace / Equipment sold in the State of Massachusetts)

5.08: Modifications to NFPA-54, Chapter 10

(1) Revise NFPA-54 section 10.5.4.2 by adding a second exception as follows:

Existing chimneys shall be permitted to have their use continued when a gas conversion burner is installed, and shall be equipped with a manually reset device that will automatically shut off the gas to the burner in the event of a sustained back-draft.

(2) Revise 10.8.3 by adding the following additional requirements:

(a) For all side wall horizontally vented gas fueled equipment installed in every dwelling, building or structure used in whole or in part for residential purposes, including those owned or operated by the Commonwealth and where the side wall exhaust vent termination is less than seven (7) feet above finished grade in the area of the venting, including but not limited to decks and porches, the following requirements shall be satisfied:

1. INSTALLATION OF CARBON MONOXIDE DETECTORS. At the time of installation of the side wall horizontal vented gas fueled equipment, the installing plumber or gas fitter shall observe that a hard wired carbon monoxide detector with an alarm and battery back-up is installed on the floor level where the gas equipment is to be installed. In addition, the installing plumber or gas fitter shall observe that a battery operated or hard wired carbon monoxide detector with an alarm is installed on each additional level of the dwelling, building or structure served by the side wall horizontal vented gas fueled equipment. It shall be the responsibility of the property owner to secure the services of qualified licensed professionals for the installation of hard wired carbon monoxide detectors

a. In the event that the side wall horizontally vented gas fueled equipment is installed in a crawl space or an attic, the hard wired carbon monoxide detector with alarm and battery back-up may be installed on the next adjacent floor level.

b. In the event that the requirements of this subdivision can not be met at the time of completion of installation, the owner shall have a period of thirty (30) days to comply with the above requirements; provided, however, that during said thirty (30) day period, a battery operated carbon monoxide detector with an alarm shall be installed.

2. APPROVED CARBON MONOXIDE DETECTORS. Each carbon monoxide detector as required in accordance with the above provisions shall comply with NFPA 720 and be ANSI/UL 2042 listed and IAS certified.

3. SIGNAGE. A metal or plastic identification plate shall be permanently mounted to the exterior of the building at a minimum height of eight (8) feet above grade directly in line with the exhaust vent terminal for the horizontally vented gas fueled heating appliance or equipment. The sign shall read, in print size no less than one-half (1/2) inch in size, "GAS VENT DIRECTLY BELOW. KEEP CLEAR OF ALL OBSTRUCTIONS".

4. INSPECTION. The state or local gas inspector of the side wall horizontally vented gas fueled equipment shall not approve the installation unless, upon inspection, the inspector observes carbon monoxide detectors and signage installed in accordance with the provisions of 248 CMR 5.08(2)(a)1 through 4.

(b) EXEMPTIONS: The following equipment is exempt from 248 CMR 5.08(2)(a)1 through 4:

1. The equipment listed in Chapter 10 entitled "Equipment Not Required To Be Vented" in the most current edition of NFPA 54 as adopted by the Board; and

2. Product Approved side wall horizontally vented gas fueled equipment installed in a room or structure separate from the dwelling, building or structure used in whole or in part for residential purposes.

(c) MANUFACTURER REQUIREMENTS - GAS EQUIPMENT VENTING SYSTEM PROVIDED. When the manufacturer of Product Approved side wall horizontally vented gas equipment provides a venting system design or venting system components with the equipment, the instructions provided by the manufacturer for installation of the equipment and the venting system shall include:

1. Detailed instructions for the installation of the venting system design or the venting system components; and

2. A complete parts list for the venting system design or venting system.

(d) MANUFACTURER REQUIREMENTS - GAS EQUIPMENT VENTING SYSTEM NOT PROVIDED. When the manufacturer of a Product Approved side wall horizontally vented gas fueled equipment does not provide the parts for venting the flue gases, but identifies "special venting systems", the following requirements shall be satisfied by the manufacturer:

1. The referenced "special venting system" instructions shall be included with the appliance or equipment installation instructions; and

2. The "special venting systems" shall be Product Approved by the Board, and the instructions for that system shall include a parts list and detailed installation instructions.

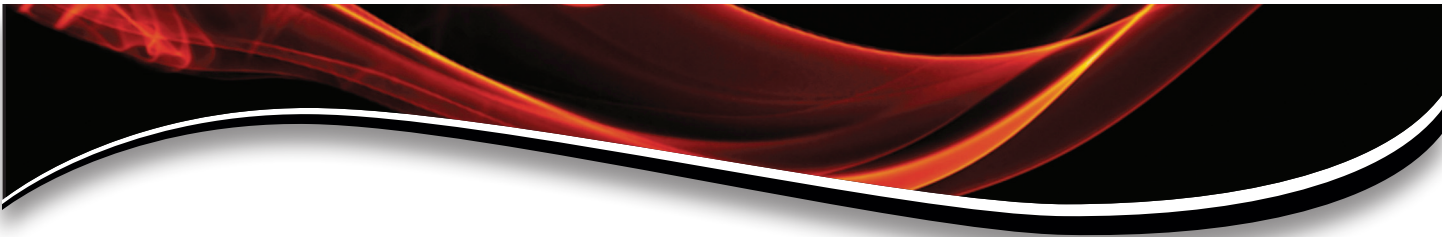
(e) A copy of all installation instructions for all Product Approved side wall horizontally vented gas fueled equipment, all venting instructions, all parts lists for venting instructions, and/or all venting design instructions shall remain with the appliance or equipment at the completion of the installation.

(3) After NFPA-54 section 10.10.4.2 add a new section 10.10.4.3 as follows:

When more than four gas appliances are to be vented through a common gas vent or common horizontal vent manifold, a plan of the proposed vent installation shall be submitted to the Inspector and the serving gas supplier for review and approval.

Extraction from: Massachusetts Rules and Regulations

5.00: Amendments To 2002 Edition Of ANSI Z223.1-NFPA-54



L42DF-ST Flush Face Gas Fireplace



Ferndale, Washington
TF: 1.800.789.6236
FX: 1.866.3000.0927

Langley, British Columbia
TF: 1.800.378.3115
FX: 1.604.607.6462