

SEARS

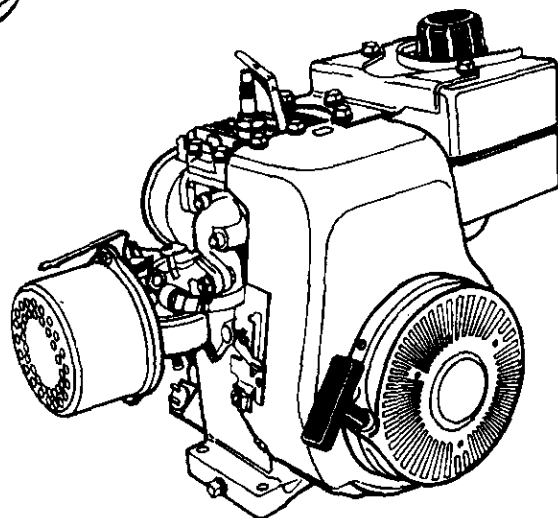
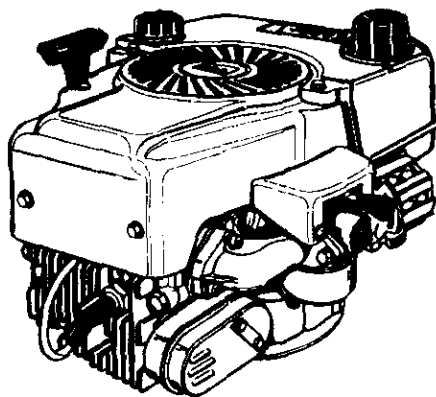
operator's manual

MODEL NO. 143.001302

SOLID STATE IGNITION

CAUTION:

Read RULES for
Safe OPERATION
and INSTRUCTIONS
Carefully



ENGINE

- Operating
- Maintenance
- Repair Parts



California Proposition 65

WARNING: The engine exhaust from this product contains chemicals known to the State of California to cause cancer, birth defects or other reproductive harm.

Sold by SEARS, ROEBUCK AND CO., CHICAGO, IL 60684 U.S.A.
and SEARS CANADA, INC., TORONTO, ONTARIO, CANADA

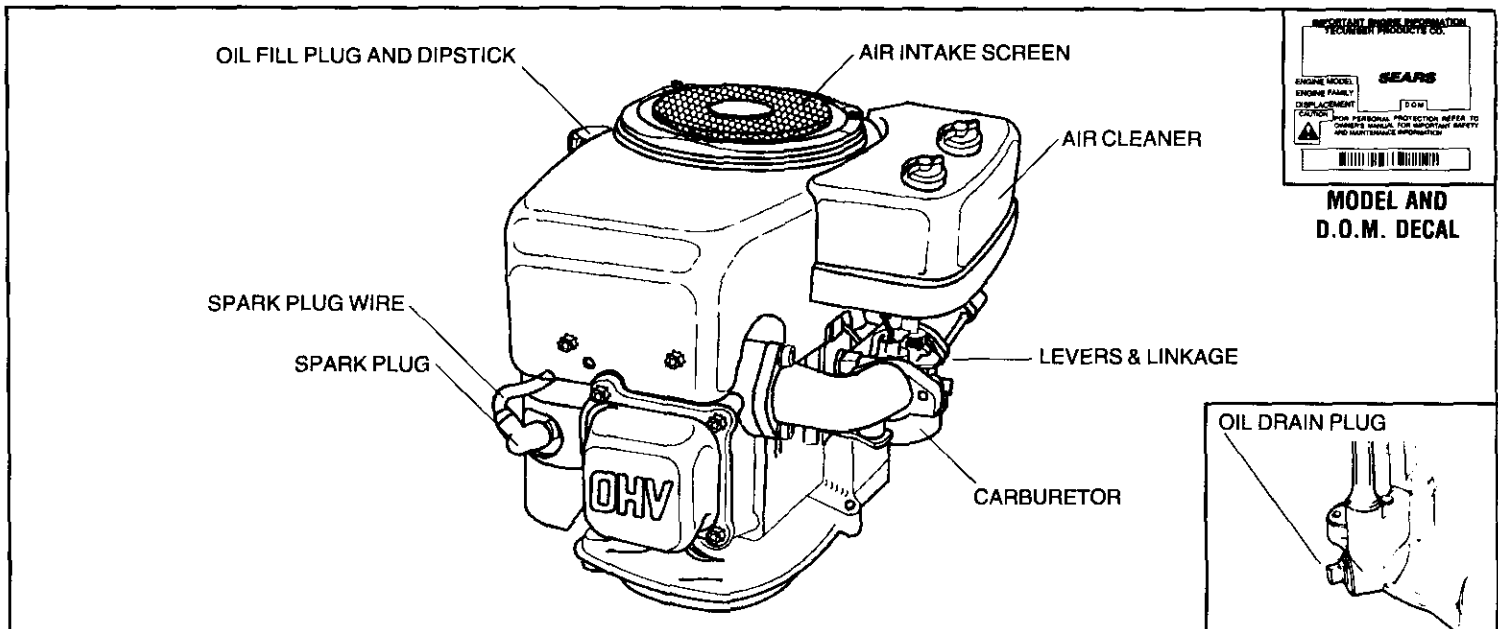


Figure 1



THIS SYMBOL POINTS OUT IMPORTANT SAFETY INSTRUCTIONS WHICH IF NOT FOLLOWED COULD ENDANGER THE PERSONAL SAFETY AND/OR PROPERTY OF YOURSELF AND OTHERS. READ AND FOLLOW ALL INSTRUCTIONS IN THIS MANUAL AND ANY PROVIDED WITH THE EQUIPMENT ON WHICH THIS ENGINE IS USED BEFORE ATTEMPTING TO OPERATE YOUR CRAFTSMAN ENGINE.



THESE SYMBOLS MAY APPEAR ON THE ENGINE:



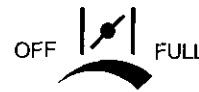
FAST



SLOW



STOP



CHOKE



PRIMER

NOTE: Engines which are certified to comply with California and U.S. EPA emission regulations for SORE (Small Off Road Equipment), are certified to operate on regular unleaded gasoline, and include the following emission control systems: Engine Modification (EM), and Three-way Catalyst (TWC) (if so equipped).

OIL & FUEL RECOMMENDATIONS

TO OPERATE ENGINE, YOU WILL NEED THE FOLLOWING:

① A CLEAN, HIGH QUALITY, DETERGENT OIL.

Be sure original container is marked:

A.P.I. service "SF"- "SJ".

FOR SUMMER (ABOVE 32°F; 0°C) USE SAE 30 OIL.

Using multigrade oil will increase oil consumption.

FOR WINTER (BELOW 32°F; 0°C) USE SAE 5W30 OIL.

(SAE 10W is an acceptable substitute.)

DO NOT USE SAE 10W40 OIL.

OIL SUMP CAPACITY: 32 ounces (2 U.S. pints).

.94 liter

② A FRESH, CLEAN, UNLEADED REGULAR, UNLEADED PREMIUM, OR REFORMULATED AUTOMOTIVE GASOLINE ONLY. DO NOT USE LEADED GASOLINE.

NOTE: DO NOT USE GASOLINE CONTAINING METHANOL (WOOD ALCOHOL). Gasoline containing up to 10% ethanol or grain alcohol ("Gasohol"), or up to 15% MTBE (Methayl Tertiary Butyl Ether), may be used but requires special care when engine is unused for extended periods.

See "STORAGE" instruction on Page 4.

NOTE: Use clean oil and fuel and store in approved, clean covered containers. Use clean fill funnels.

Never use "stale" gasoline left over from last season or stored for long periods.

IMPORTANT

KEEP THIS MANUAL HANDY AT ALL TIMES FOR FUTURE REFERENCE. READ IT CAREFULLY AND FAMILIARIZE YOURSELF WITH THE OPERATING, MAINTENANCE AND SAFETY INSTRUCTIONS. THIS MANUAL ALSO CONTAINS A COMPLETE PARTS LISTING.

BEFORE STARTING

① READ ALL INSTRUCTIONS PROVIDED WITH THE EQUIPMENT ON WHICH THIS ENGINE IS USED.

② CHECK OIL LEVEL:

CAUTION: NEVER RUN ENGINE UNLESS OIL LEVEL IS BETWEEN "FULL" AND "ADD" MARKS ON DIPSTICK.

CHECK OIL LEVEL OFTEN DURING ENGINE BREAK-IN. NEVER RUN ENGINE UNLESS OIL FILL PLUG IS TIGHTENED SECURELY INTO OIL FILL HOLE.

A. POSITION EQUIPMENT SO ENGINE IS LEVEL.

B. Clean area around oil fill plug (see Figure 1).

C. Remove oil fill plug and dipstick.

D. Wipe dipstick clean, insert it into oil fill hole and tighten securely.

E. Remove oil fill plug and check oil level. If level is not up to "FULL" mark on dipstick, add recommended oil, until it is. POUR SLOWLY. Wipe dipstick clean each time oil level is checked.

DO NOT FILL ABOVE "FULL" MARK ON DIPSTICK.

F. Replace oil fill plug and tighten securely.

TO ENSURE ADEQUATE OIL SUPPLY:

G. **DISCONNECT SPARK PLUG WIRE FROM SPARK PLUG AND KEEP IT AWAY FROM SPARK PLUG.**

H. Crank engine a few times with starter.

NOTE - DO NOT USE MOWER CUTTING BLADE OR ANY OTHER ATTACHMENT ON POWER TAKE-OFF END OF CRANKSHAFT TO CRANK ENGINE.

I. Re-check oil level per instructions C, D, E and F.

J. Connect spark plug wire to spark plug.

See "MAINTENANCE" section for any future oil level and oil change instructions (see Page 2).

BEFORE STARTING (Continued)

⚠ THE ALUMINUM COMPONENTS OF YOUR NEW ENGINE HAVE BEEN TREATED WITH A PRESERVATIVE INTENDED TO MAINTAIN THE APPEARANCE OF THE ENGINE. THE PRESERVATIVE WILL CURE DURING THE INITIAL USE OF THE ENGINE. A SMALL AMOUNT OF SMOKE MAY BE PRESENT DURING THE INITIAL USE OF THE PRODUCT AND SHOULD BE CONSIDERED NORMAL.

③ FILL FUEL TANK with gasoline as specified in the preceding "OIL & FUEL RECOMMENDATIONS," item 2.

NEVER MIX OIL WITH GASOLINE

Never use "stale" gasoline left over from last season or stored for long periods.

⚠ NEVER FILL FUEL TANK INDOORS. NEVER FILL FUEL TANK WHEN ENGINE IS RUNNING OR HOT. DO NOT SMOKE WHEN FILLING FUEL TANK.

⚠ NEVER FILL FUEL TANK COMPLETELY. FILL TANK TO 1/2" BELOW BOTTOM OF FILLER NECK TO PROVIDE SPACE FOR FUEL EXPANSION. WIPE ANY FUEL SPILLAGE FROM ENGINE AND EQUIPMENT BEFORE STARTING ENGINE.

⚠ ANY LIQUEFIED PETROLEUM (LPG) OR NATURAL GAS FUEL SYSTEM MUST BE LEAKPROOF AND MEET ALL APPLICABLE CODES AND REGULATIONS.

④ CHECK THE FOLLOWING:

⚠ A. BE SURE EQUIPMENT IS IN NEUTRAL GEAR WITH CLUTCHES, BELTS, CHAINS AND SAFETY SWITCHES DISENGAGED. (FOLLOW EQUIPMENT MANUFACTURER'S INSTRUCTIONS). THIS SHOULD PLACE ANY SAFETY SWITCHES IN SAFE STARTING POSITION.

B. Be sure spark plug wire is attached to spark plug (see Figure 1).

C. Be sure any ignition switch on engine or equipment is in ON, RUN or START position.

STARTING

⚠ NEVER RUN ENGINE INDOORS OR IN ENCLOSED, POORLY VENTILATED AREAS. ENGINE EXHAUST CONTAINS CARBON MONOXIDE, AN ODORLESS AND DEADLY GAS (CARBON MONOXIDE IS ALSO PRESENT IN ENGINE EXHAUST FROM LIQUID PETROLEUM (LPG) AND NATURAL GAS FUEL SYSTEMS).

⚠ KEEP HANDS, FEET, HAIR AND LOOSE CLOTHING AWAY FROM ANY MOVING PARTS ON ENGINE AND EQUIPMENT.

⚠ BE SURE AIR INTAKE SCREEN (see Fig. 1) IS SECURELY IN PLACE TO AVOID CONTACT WITH MOVING PARTS.

⚠ WARNING TEMPERATURE OF MUFFLER AND NEARBY AREAS MAY EXCEED 150°F (65°C). AVOID THESE AREAS.

NOTE: If engine is remotely controlled, see equipment manufacturer's instructions for remote control positions which correspond to engine control positions in Figure 2.

ELECTRIC STARTER 12 VOLT D.C.:

A. Move engine control lever (see Figure 2) or equipment control to CHOKE or START.

NOTE: IF RESTARTING A WARM ENGINE, AFTER A SHORT SHUTDOWN, MOVE CONTROL TO "FAST" INSTEAD OF "CHOKE."

B. Press starter button or turn ignition switch key per equipment manufacturer's instructions to crank engine until it fires.

C. When engine starts move control to FAST and then to RUN RANGE.

D. If engine falters, move control to CHOKE, then to FAST and then to RUN RANGE.

NOTE: If engine fires, but does not continue to run, move control to FAST and crank engine until it starts.

E. If engine still does not start, move control to CHOKE and repeat instructions B and C again.

STOPPING

① Move equipment control or any ignition stop switch on engine to STOP or OFF (see equipment manufacturer's instructions).

② AFTER ENGINE IS STOPPED:

⚠ A. DISCONNECT SPARK PLUG WIRE FROM SPARK PLUG AND KEEP IT AWAY FROM SPARK PLUG.

⚠ B. TURN IGNITION SWITCH KEY (IF SO EQUIPPED) TO "OFF" POSITION AND REMOVE KEY FROM SWITCH. THIS WILL REDUCE THE POSSIBILITY OF UNAUTHORIZED STARTING OF ENGINE WHILE EQUIPMENT IS NOT IN USE.

⚠ NEVER STORE ENGINE WITH FUEL IN TANK INDOORS OR IN ENCLOSED, POORLY VENTILATED AREAS, WHERE FUEL FUMES MAY REACH AN OPEN FLAME, SPARK OR PILOT LIGHT AS ON A FURNACE, WATER HEATER, CLOTHES DRYER OR OTHER GAS APPLIANCE.

MAINTENANCE

⚠ WARNING: TEMPERATURE OF MUFFLER AND NEARBY AREAS MAY EXCEED 150°F (65°C). AVOID THESE AREAS.

① CHECK OIL LEVEL:

Check oil level every five (5) operating hours or each time engine is used. See "2 CHECK OIL LEVEL" in "BEFORE STARTING" on Page 1.

② CHANGE OIL:

Change oil after first two (2) operating hours and every 25 operating hours thereafter, more often if operated in extremely dusty or dirty conditions. Change oil while engine is still warm from recent running.

⚠ A. DISCONNECT SPARK PLUG WIRE FROM SPARK PLUG AND KEEP IT AWAY FROM SPARK PLUG.

B. Position equipment so engine oil drain plug is lowest point on engine.

C. Remove oil drain plug and oil fill plug to drain oil.

D. Replace oil drain plug and tighten securely.

E. Fill oil sump with recommended oil. See "OIL & FUEL RECOMMENDATIONS" and "CHECK OIL LEVEL" on Page 1.

F. Replace oil fill plug and tighten securely.

G. Connect spark plug wire to spark plug.

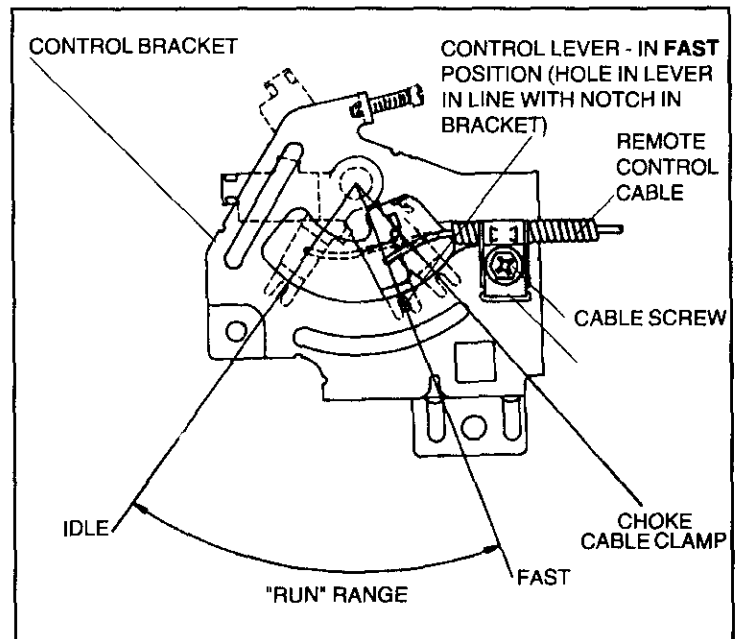


Figure 2

MAINTENANCE (Continued)

③ AIR CLEANER:

IMPORTANT: NEVER RUN ENGINE WITHOUT COMPLETE AIR CLEANER INSTALLED ON ENGINE.

A. TO SERVICE FILTER(S) (see Figure 3):

1. FOAM FILTER:

Clean and re-oil every three (3) months or every 25 operating hours. Clean and re-oil daily if used in extremely dusty conditions.

- Wash in water and detergent solution and squeeze (don't twist) until all dirt is removed.
- Rinse thoroughly in clear water.
- Wrap in a clean cloth and squeeze (don't twist) until completely dry.
- Saturate with engine oil and squeeze (don't twist) to distribute oil and remove excess oil.

2. PAPER OR FOAM/SCREEN FILTERS:

DO NOT ATTEMPT TO CLEAN OR OIL FILTER.

Replace once a year or every 100 operating hours, more often if used in extremely dusty conditions.

Replacement filters are available at any nearby Sears Roebuck and Co. (or Sears Canada, Inc.) Service Center.

B. TO REMOVE AND INSTALL FILTER(S):

- Remove wing nuts and cover.
- Slide FILTER A off FILTER B.
- Inspect filter(s) for discoloration or dirt accumulation. If either is present, service per preceding "TO SERVICE FILTER(S)" instructions.
- Remove nuts and FILTER B. Discard FILTER B and nuts (if service is necessary).
- Clean inside of cover and body thoroughly.
- Install new FILTER B and new nuts. Tighten nuts finger tight and then turn one (1) more complete turn.
- Slide foam filter over paper filter.
- Install cover and wing nuts. Tighten wing nuts.

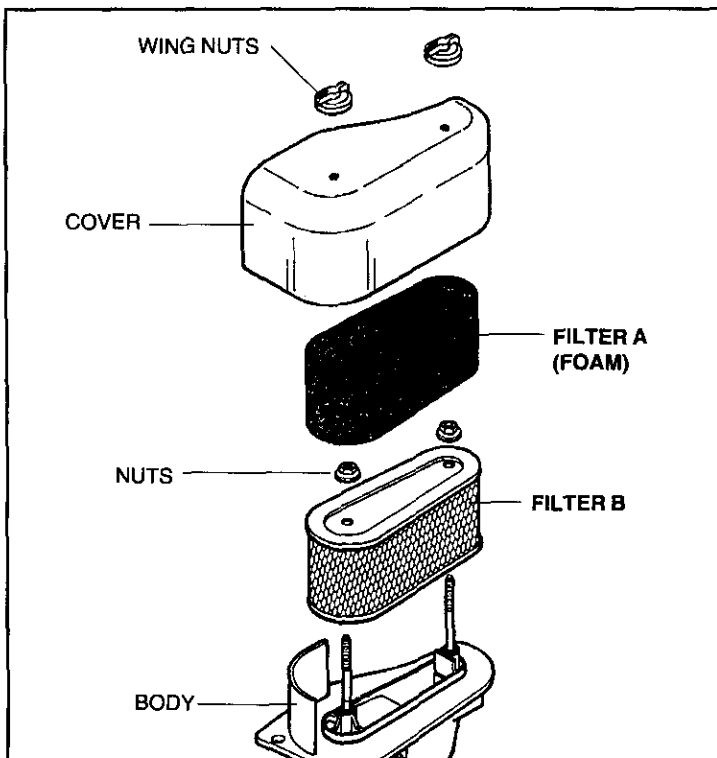


Figure 3

MAINTENANCE (Continued)

④ SPARK PLUG (see Figure 4):

This spark ignition system meets all requirements of the Canadian Interference-Causing Equipment Regulations. This engine complies with all current Australian and New Zealand limitations regarding electromagnetic interference. Check spark plug yearly or every 100 operating hours.

- Clean area around spark plug.
- Remove and inspect spark plug.
- Replace spark plug if electrodes are pitted, burned or porcelain is cracked. For replacement use Champion RN4C or equivalent.
NOTE: A resistor spark plug must be used for replacement.
- Check electrode gap with wire feeler gauge and set gap at .030 if necessary.
- Install spark plug, tighten securely.

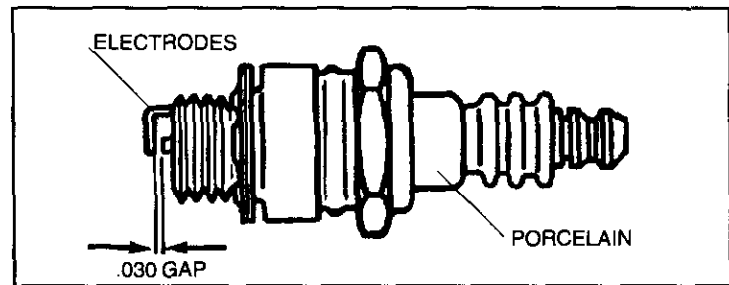


Figure 4

⑤ ALTERNATOR AND BATTERY (if so equipped):

A. ALTERNATOR:

For electrical problems such as inoperative starter or discharged battery, see your nearby Sears Roebuck and Co. (or Sears Canada, Inc.) Service Center for fuse replacement (if so equipped), maintenance and repairs.

B. BATTERY:

- When servicing battery, always connect cables to battery exactly as they were before removal (ground cable to battery negative [- or neg.] post). If incorrectly connected, alternator won't charge battery. If this happens, see your Sears Roebuck and Co. (or Sears Canada, Inc.) Service Center.
- Never expose engine ignition system to battery power. If battery cable or any live wire contacts ignition system ground wire, engine ignition system may be damaged.
- If external battery charger is used, disconnect positive (+ or pos.) cable from battery to prevent possible damage.
- See battery manufacturer's instructions for service and storage.

⑥ COOLING SYSTEM:

IMPORTANT: Frequently remove any grass clippings, dirt and debris from cooling fins, air intake screen and levers and linkage (see Figures 1 and 5). This will help ensure adequate cooling and correct engine speed.

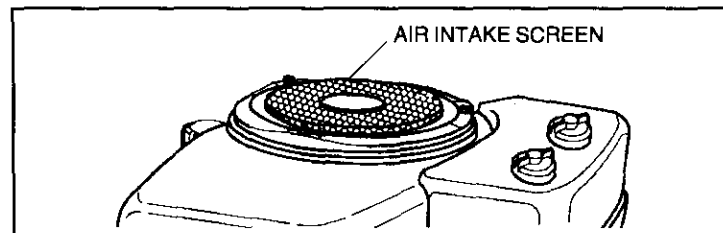


Figure 5

⑦ CHECK ENGINE AND EQUIPMENT OFTEN FOR LOOSE NUTS, BOLTS AND ATTACHMENTS AND KEEP THESE ITEMS TIGHTENED.

ADJUSTMENTS

DO NOT MAKE UNNECESSARY ADJUSTMENTS. FACTORY SETTINGS ARE SATISFACTORY FOR MOST APPLICATIONS AND CONDITIONS. IF ADJUSTMENTS ARE NEEDED, PROCEED AS FOLLOWS:

① CARBURETOR:

If you think your carburetor needs adjusting, see your nearest SEARS, ROEBUCK AND CO. (OR SEARS CANADA, INC.) SERVICE CENTER. Engine performance should not be affected at altitudes up to 7,000 feet. For operation at higher elevations, contact your nearest SEARS, ROEBUCK AND CO. (OR SEARS CANADA, INC.) SERVICE CENTER.

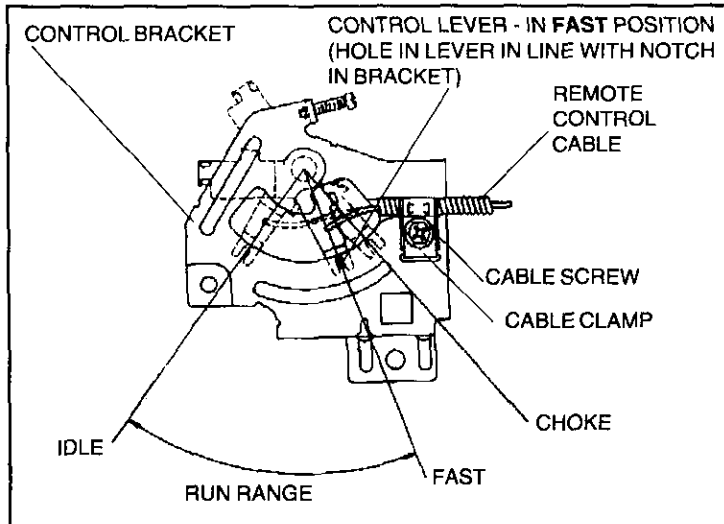


Figure 6

② REMOTE CONTROL (see Figure 6):

For satisfactory engine performance, engine and equipment controls must be adjusted properly. To check engine control adjustments, proceed as follows:

- Set equipment control at FAST or HIGH SPEED and keep in this position.
- Loosen clamp screw so remote control cable can be moved in cable clamp (do not remove cable clamp from control bracket or disconnect remote control cable from engine control lever).
- Move engine control lever into FAST and hold in this position.
- Tighten clamp screw securely so cable clamp will hold cable casing in place when equipment control is used. The engine should now run at the desired speed when equipment control is set at FAST, and should choke engine when in CHOKE.

If additional control adjustments are necessary, contact your nearby Sears Roebuck and Co. (or Sears Canada, Inc.) Service Center.

③ ENGINE SPEED:

NEVER TAMPER WITH ENGINE GOVERNOR WHICH IS FACTORY SET FOR PROPER ENGINE SPEED. OVERSPEEDING ENGINE ABOVE FACTORY HIGH SPEED SETTING CAN BE DANGEROUS. CHANGING OF ENGINE-GOVERNED SPEED WILL VOID ENGINE WARRANTY.

STORAGE

NEVER STORE ENGINE WITH FUEL IN TANK INDOORS OR IN ENCLOSED, POORLY VENTILATED AREAS, WHERE FUEL FUMES MAY REACH AN OPEN FLAME, SPARK OR PILOT LIGHT AS ON A FURNACE, WATER HEATER, CLOTHES DRYER OR OTHER GAS APPLIANCE.

IF ENGINE IS TO BE UNUSED FOR 30 DAYS OR MORE, PREPARE AS FOLLOWS:

① DRAIN FUEL SYSTEM:

Remove all gasoline from carburetor and fuel tank to prevent gum deposits from forming on these parts and causing possible malfunction of engine.

DRAIN FUEL INTO APPROVED CONTAINER OUTDOORS, AWAY FROM OPEN FLAME. BE SURE ENGINE IS COOL. DO NOT SMOKE.

Run engine until fuel tank is empty and engine stops due to lack of fuel.

NOTE: Fuel stabilizer (such as ULTRA-FRESH™) is an acceptable alternative in minimizing the formation of gum deposits during storage. Add stabilizer to gasoline in fuel tank or storage container. Always follow mix ratio found on stabilizer container. Run engine at least 10 minutes after adding stabilizer to allow it to reach carburetor.

② CHANGE OIL:

Change oil if it has not been changed in the last three (3) months. See "CHANGE OIL" instructions in "MAINTENANCE" section.

③ OIL CYLINDER BORE:

A. Remove spark plug. Squirt one (1) oz. (30 ml) of clean engine oil into spark plug hole.

B. Crank engine over, slowly, several times.

AVOID SPRAY FROM SPARK PLUG HOLE WHEN CRANKING ENGINE OVER SLOWLY.

D. Replace spark plug.

④ CLEAN ENGINE:

Clean engine by removing any clippings, dirt, or chaff from exterior of engine.

GENERAL

Just as your automobile needs professional mechanical maintenance from time to time, so does your Craftsman engine. Replacement of the spark plug and air cleaner is made necessary by NORMAL use. Professional Air-Cooled Engine Service is as close as your nearest Sears Roebuck and Co. (or Sears Canada, Inc.) Service Center.

A yearly check-up or tune-up by Sears is a good idea to avoid breakdowns or delay... do it at the end of the season, then you're ready for the next. We even prepare it for storage for you.

TROUBLESHOOTING

THE FOLLOWING MAY HELP AVOID A DELAY IN YOUR WORK OR
SAVE THE EXPENSE OF A SERVICE CALL.

ENGINE FAILS TO START OR STARTS WITH DIFFICULTY	
CAUSE	REMEDY
Controls not in start position.	Move ENGINE CONTROL or equipment control to "HI" or START position. See "STARTING" instructions in this manual.
Spark plug wire disconnected from spark plug.	Connect SPARK PLUG WIRE to SPARK PLUG.
Spark plug fouled.	Remove SPARK PLUG and clean it. See "SPARK PLUG" instructions in "MAINTENANCE" section in this manual.
Spark plug porcelain cracked.	Install new spark plug.
Insufficient fuel.	Fill FUEL TANK per "BEFORE STARTING" instructions.
Water or dirt in fuel.	Drain FUEL TANK and re-fill with clean, fresh gasoline. See "BEFORE STARTING" instructions in this manual.
Improper carburetor adjustment	Adjust carburetor (if applicable). See "ADJUSTMENTS" section in this manual.
ENGINE LACKS POWER	
CAUSE	REMEDY
Dirty air cleaner.	Replace or clean air cleaner per "AIR CLEANER" instructions in "MAINTENANCE" section in this manual.
Improper carburetor adjustment.	Adjust carburetor (if applicable). See "ADJUSTMENTS" section in this manual.
Lack of lubricaiton.	Fill oil sump to proper level. See "BEFORE STARTING" instructions section in this manual.
ENGINE MISSES UNDER LOAD	
CAUSE	REMEDY
Spark plug fouled.	Remove SPARK PLUG and clean it. See "SPARK PLUG" instructions in "MAINTENANCE" section in this manual.
Spark plug porcelain cracked.	Install new SPARK PLUG.
Improper spark plug gap.	Regap SPARK PLUG electrodes. See "SPARK PLUG" instructions in "MAINTENANCE" section in this manual.
Improper carburetor adjustment	Adjust carburetor (if applicable). See "ADJUSTMENTS" section in this manual.

SEARS, ROEBUCK AND CO.

Federal and California Emission Control Systems Limited Warranty Small Off-Road Engines

CALIFORNIA & US EPA EMISSION CONTROL WARRANTY STATEMENT

The U. S. Environmental Protection Agency ("EPA"), the California Air Resources Board ("CARB") and Sears, Roebuck and Co. are pleased to explain the Federal and California Emission Control Systems Warranty on your new small off-road engine. In California, new 1995 and later small off-road engines must be designed, built and equipped to meet the State's stringent anti-smog standards. In other states, new 1997 and later model year engines must be designed, built and equipped, at the time of sale, to meet the U.S. EPA regulations for small non-road engines. Sears, Roebuck and Co. will warrant the emission control system on your small off-road engine for the periods of time listed below, provided there has been no abuse, neglect, unapproved modification, or improper maintenance of your small off-road engine.

Your emission control system may include parts such as the carburetor, ignition system and exhaust system. Also included may be the compression release system and other emission-related assemblies.

Where a warrantable condition exists, Sears, Roebuck and Co. will repair your small off-road engine at no cost to you for diagnosis, parts and labor.

MANUFACTURER'S EMISSION CONTROL SYSTEM WARRANTY COVERAGE

Emission control systems on 1995 and later model year California small off-road engines are warranted for two years as hereinafter noted. In other states, 1997 and later model year engines are also warranted for two years. If, during such warranty period, any emission-related part on your engine is defective in materials or workmanship, the part will be repaired or replaced by Sears, Roebuck and Co.

OWNER'S WARRANTY RESPONSIBILITIES

As the small off-road engine owner, you are responsible for the performance of the required maintenance listed in your Owner's Manual, but Sears, Roebuck and Co. will not deny warranty solely due to the lack of receipts or for your failure to provide written evidence of the performance of all scheduled maintenance.

As the small off-road engine owner, you should, however, be aware that Sears, Roebuck and Co. may deny you warranty coverage if your small off-road engine or a part thereof has failed due to abuse, neglect, improper maintenance or unapproved modifications.

You are responsible for presenting your small off-road engine to a Sears, Roebuck and Co. Authorized Service Outlet as soon as a problem exists. The warranty repairs should be completed in a reasonable amount of time, not to exceed 30 days.

Warranty service can be arranged by contacting either a Sears, Roebuck and Co. Authorized Service Outlet, or by contacting Sears, Roebuck and Co. at 1-800-473-7247.

IMPORTANT NOTE

This warranty statement explains your rights and obligations under the Emission Control System Warranty ("ECS Warranty") which is provided to you by Sears, Roebuck and Co. pursuant to California law. See also the Sears, Roebuck and Co. Limited Warranties for Sears, Roebuck and Co. which is enclosed therewith on a separate sheet and also is provided to you by Sears, Roebuck and Co. The ECS Warranty applies only to the emission control system of your new engine. To the extent that there is any conflict in terms between the ECS Warranty and the Sears, Roebuck and Co. Warranty, the ECS Warranty shall apply except in any circumstances in which the Sears, Roebuck and Co. Warranty may provide a longer warranty period. Both the ECS Warranty and the Sears, Roebuck and Co. Warranty describe important rights and obligations with respect to your new engine.

Warranty service can only be performed by a Sears, Roebuck and Co. Authorized Service Outlet. At the time of requesting warranty service, evidence must be presented of the date of sale to the original purchaser. The purchaser shall pay any charges for making service calls and/or for transporting the products to and from the place where the inspection and/or warranty work is performed. The purchaser shall be responsible for any damage or loss incurred in connection with the transportation of any engine or any part(s) thereof submitted for inspection and/or warranty work.

If you have any questions regarding your warranty rights and responsibilities, you should contact Sears, Roebuck and Co. at 1-800-473-7247.

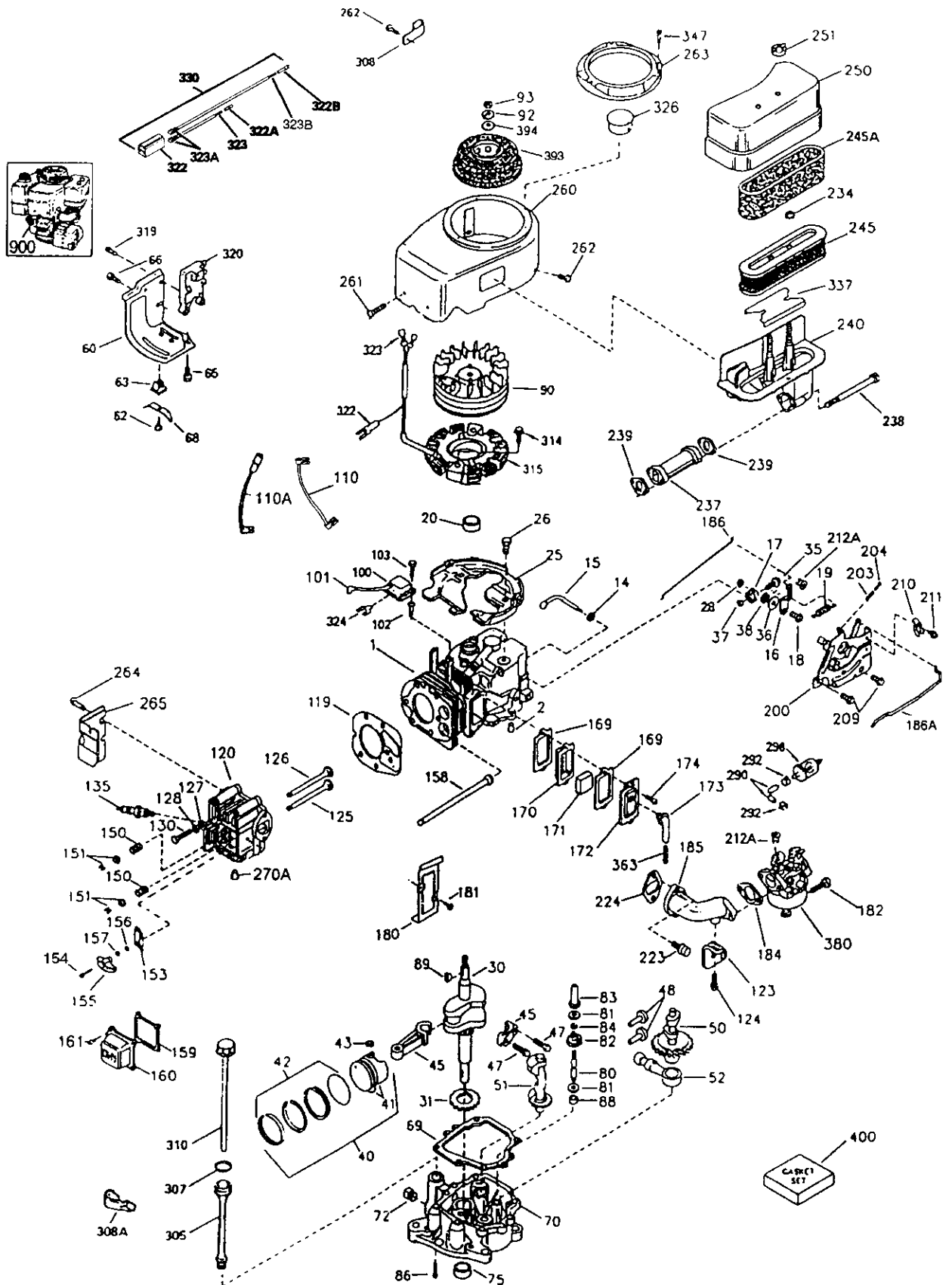
EMISSION CONTROL SYSTEM WARRANTY

Emission Control System Warranty ("ECS Warranty") for 1995 and later model year California small off-road engines (for other states, 1997 and later model year engines):

A. **APPLICABILITY:** This warranty shall apply to 1995 and later model year California small off-road engines (for other states, 1997 and later model year engines). The ECS Warranty Period shall begin on the date the new engine or equipment is delivered to its original, end-use purchaser, and shall continue for 24 consecutive months thereafter.

B. GENERAL EMISSIONS WARRANTY COVERAGE: Sears, Roebuck and Co. warrants to the original, end-use purchaser of the new engine or equipment and to each subsequent purchaser that each of its small off-road engines is:

1. Designed, built and equipped so as to conform with all applicable regulations adopted by the Air Resources Board pursuant to its authority in Chapters 1 and 2, Part 5, Division 26 of the Health and Safety Code, and
 2. Free from defects in materials and workmanship which, at any time during the ECS Warranty Period, will cause a warranted emissions-related part to fail to be identical in all material respects to the part as described in the engine manufacturer's application for certification.
- C. The ECS Warranty only pertains to emissions-related parts on your engine, as follows:
1. Any warranted, emissions-related parts which are not scheduled for replacement as required maintenance in the Owner's Manual shall be warranted for the ECS Warranty Period. If any such part fails during the ECS Warranty Period, it shall be repaired or replaced by Sears, Roebuck and Co. according to Subsection 4 below. Any such part repaired or replaced under the ECS Warranty shall be warranted for any remainder of the ECS Warranty Period.
 2. Any warranted, emissions-related part which is scheduled only for regular inspection as specified in the Owner's Manual shall be warranted for the ECS Warranty Period. A statement in such written instructions to the effect of "repair or replace as necessary", shall not reduce the ECS Warranty Period. Any such part repaired or replaced under the ECS Warranty shall be warranted for the remainder of the ECS Warranty Period.
 3. Any warranted, emissions-related part which is scheduled for replacement as required maintenance in the Owner's Manual, shall be warranted for the period of time prior to the first scheduled replacement point for that part. If the part fails prior to the first scheduled replacement, the part shall be repaired or replaced by Sears, Roebuck and Co. according to Subsection 4 below. Any such emissions-related part repaired or replaced under the ECS Warranty, shall be warranted for the remainder of the ECS Warranty Period prior to the first scheduled replacement point for such emissions-related part.
 4. Repair or replacement of any warranted, emissions-related part under this ECS Warranty shall be performed at no charge to the owner at a Sears, Roebuck and Co. Authorized Service Outlet.
 5. The owner shall not be charged for diagnostic labor which leads to the determination that a part covered by the ECS Warranty is in fact defective, provided that such diagnostic work is performed at a Sears, Roebuck and Co. Authorized Service Outlet.
 6. Sears, Roebuck and Co. shall be liable for damages to other original engine components or approved modifications proximately caused by a failure under warranty of an emission-related part covered by the ECS Warranty.
 7. Throughout the ECS Warranty Period, Sears, Roebuck and Co. shall maintain a supply of warranted emission-related parts sufficient to meet the expected demand for such emission-related parts.
 8. Any Sears, Roebuck and Co. authorized and approved emission-related replacement part may be used in the performance of any ECS Warranty maintenance or repair and will be provided without charge to the owner. Such use shall not reduce Sears, Roebuck and Co. ECS Warranty obligations.
 9. Unapproved add-on or modified parts may not be used to modify or repair a Sears, Roebuck and Co. engine. Such use voids this ECS Warranty and shall be sufficient grounds for disallowing an ECS Warranty claim. Sears, Roebuck and Co. shall not be liable hereunder for failures of any warranted parts of a Sears, Roebuck and Co. engine caused by the use of such an unapproved add-on or modified part.
- EMISSION-RELATED PARTS INCLUDE THE FOLLOWING:**
1. Carburetor Assembly and its Internal Components
 - a) Fuel filter
 - b) Carburetor gaskets
 - c) Intake pipe
 2. Air Cleaner Assembly
 - a) Air filter element
 3. Ignition System, including:
 - a) Spark plug
 - b) Ignition module
 - c) Flywheel assembly
 4. Catalytic Muffler (if so equipped)
 - a) Muffler gasket (if so equipped)
 - b) Exhaust manifold (if so equipped)
 5. Crankcase Breather Assembly and its Components
 - a) Breather connection tube



CRAFTSMAN 4-CYCLE ENGINE

MODEL: 143.001302

Ref. No.	Part No.	Part Name	Ref. No.	Part No.	Part Name
1	35943A	Cylinder (Incl. 2 & 20)	103	651007	Screw, T-15, 10-24 x 15/16"
2	27652	Dowel Pin	110	35183	Ground Wire
14	28277	Washer	110A	36225	Ground Wire
15	35324	Governor Rod	119	*35946	Cylinder Head Gasket
16	36284A	Governor Lever (Incl. 212A)	120	35948	Cylinder Head (Incl. 270A)
17	29916	Governor Lever Clamp	123	35288	Intake Pipe Brace
18	651028	Screw, T-15, 8-32 x 3/8"	124	650738	Screw, 1/4-20 x 5/8"
19	35945	Extension Spring	125	35308	Exhaust Valve (Std.)
20	35319	Oil Seal	125	35433	Exhaust Valve (1/32" OS)
25	36460	Blower Housing Baffle	126	35309	Intake Valve (Std.)
26	650561	Screw, 1/4-20 x 19/32"	127	650691	Washer
28	30322	Lock Nut, 8-32	128	650690	Belleville Washer
30	35336B	Crankshaft	130	650946	Screw, 5/16-18 x 2-45/64"
31	35327	Counterbalance Gear	135	34645	Resistor Spark Plug (RN4C)
35	29826	Screw, 10-32 x 3/4"	150	33507	Valve Spring
36	29918	Lock Washer	151	33508	Valve Spring Keeper
37	29216	Lock Nut, 10-32	153	35949	Push Rod Guide
38	29642	Retaining Ring	154	650945	Rocker Arm Stud
40	35776A	Piston, Pin & Ring Set (Std.)	155	35950	Rocker Arm
40	35777A	Piston, Pin & Ring Set (.010" OS)	156	650890	Lock Washer
40	35778A	Piston, Pin & Ring Set (.020" OS)	157	650947	Lock Nut, 5/16-24
41	35773A	Piston & Pin Ass'y. (Std.) (Incl. 43)	158	35951	Push Rod
41	35774A	Piston & Pin Ass'y. (.010" OS) (Incl. 43)	159	*35952	Rocker Arm Cover Gasket
41	35775A	Piston & Pin Ass'y. (.020" OS) (Incl. 43)	160	35953A	Rocker Arm Housing
42	35779	Ring Set (Std.)	161	30063	Screw, T-30, 1/4-20 x 1/2"
42	35780	Ring Set (.010" OS)	169	*27896A	Valve Cover Gasket
42	35781	Ring Set (.020" OS)	170	28423	Breather Body
43	35772	Piston Pin Retaining Ring	171	28424	Breather Element
45	36925	Connecting Rod Ass'y. (Incl. 47)	172	28425	Valve Cover
47	651033	Connecting Rod Bolt	173	35350	Breather Tube
48	35313	Valve Lifter	174	650128	Screw, 10-24 x 1/2"
50	35939	Camshaft (MCR)	180	37101	Blower Housing Extension
51	35315A	Counterbalance Weight	181	30200	Screw, 10-24 x 9/16"
52	31356	Oil Pump Ass'y.	182	650517	Screw, T-30, 1/4-20 x 27/32"
60	35316A	Blower Housing Extension	184	*33263	Carburetor To Intake Pipe Gasket
62	650760	Screw, 8-32 x 3/8"	185	35955	Intake Pipe
63	28545	Grommet	186	36285	Governor Link
65	650128	Screw, 10-24 x 1/2"	186A	35957	Choke Link
66	30063	Screw, T-30, 1/4-20 x 1/2"	200	35956	Control Bracket (Incl. 203 & 204)
68	33356	Ground Terminal	203	36482	Compression Spring
69	*35317	Mounting Flange Gasket	204	651019	Screw, 6-32 x 41/64"
70	35711A	Mounting Flange (Incl. 72, 75 & 80)	209	650902	Screw, 10-32 x 7/16"
72	31927	Oil Drain Plug	210	27793	Conduit Clip
75	35319	Oil Seal	211	28942	Screw, 10-32 x 3/8"
80	35712	Governor Shaft	212A	36288	Bushing
81	35479A	Washer	223	650971	Screw, T-30, 5/16-18 x 7/8"
82	35321	Governor Gear Ass'y.	224	*35958	Intake Pipe Gasket
83	35322	Governor Spool	234	650825	Nut & Lockwasher, 1/4-20
84	29193	Retaining Ring	237	35286	Air Cleaner Adapter
86	650833	Screw, 1/4-20 x 1-3/16"	238	650875	Screw, 10-32 x 5-1/4"
88	31707A	Spacer	239	*33629	Carburetor Gasket
89	32589	Flywheel Key	240	35960	Air Cleaner Body (Incl. 239)
90	611177	Flywheel (W/Ring Gear)	245	35403	Air Cleaner Filter (Incl. 234)
92	650880	Lock Washer			
93	650881	Flywheel Nut			
100	35135A	Solid State Ignition			
101	610118	Spark Plug Cover			*Indicates Parts Included in Gasket Set, Ref. No. 400.
102	651024	Solid State Mounting Stud			

CRAFTSMAN 4-CYCLE ENGINE

MODEL: 143.001302

Ref. No.	Part No.	Part Name	Ref. No.	Part No.	Part Name
245A	35404	Air Cleaner Filter	322B	611117	Connector Body
250	35961	Air Cleaner Cover	323	611140	Terminal
251	650886	Wing Nut, 1/4-20	323A	611118	Terminal
260	35964	Blower Housing	323B	610922	Terminal
261	651031	Screw, 1/4-20 x 9/16"	324	33177	Terminal
262	29747B	Screw, T-40, 5/16-24 x 21/32"	326	36210	Blower Housing Plug
263	35963	Trim Ring	330	36419	Wire Harness (Incl. 322, 322A, 322B, 323, 323A & 323B)
264	650273	Screw, 5/16-18 x 17/32"	337	36407	Deflector
265	35959	Cylinder Head Cover	347	650949	Screw, 10-24 x 9/16"
270A	35829A	Exhaust Port Liner	363	34148	Spring
290	29774	Fuel Line (8.25")	380	640164	Carburetor (Incl. 184)
292	26460	Fuel Line Clamp	393	35962	Cup & Screen
296	34279B	Fuel Filter (Incl. 292)	394	650948	Washer
305	35574	Oil Fill Tube	400	35947	Gasket Set (Incl. Items Marked *)
307	35499	"O" Ring	900		Replacement Engine 752328A, order from 71-999
308	33997	Fill Tube Clip	900		Replacement Short Block 752321, order from 71-999
308A	35437	Fill Tube Clip			
310	35576	Dipstick			
314	650873	Screw, 1/4-20 x 3/4"			
315	611176	Alternator Coil (5 Amp) (Incl. 322 & 323B)			
319	650735	Screw, 10-24 x 3/8"			*Indicates Parts Included in Gasket Set, Ref. No. 400.
320	611175A	Regulator			
322	610921	Connector			RPM High 3200 to 3400
322A	611188	Connector Body			RPM Low 1950 to 2250

CARBURETOR NO. 640164

Ref. No.	Part No.	Part Name
	640164	Carburetor (Incl. 184 of Engine Parts List)
1	632649	Throttle Shaft & Lever Assembly
1A	36288	Throttle Link Bushing
2	632685	Throttle Return Spring
4	*631184	Dust Seal Washer
5	*631183	Dust Seal (Throttle)
6	632517	Throttle Shutter
7	*650506	Shutter Screw
10	632472	Choke Shaft & Lever Assembly
11	632473	Choke Return Spring
12	*631184	Dust Seal Washer
13	*631183	Dust Seal (Choke)
14	632429A	Choke Shutter
16	632527	Fuel Fitting
17	651025	Throttle Crack Screw/Idle Speed Screw
18	630766	Tension Spring
20	640027	Idle Restrictor Screw
20A	640053	Idle Restrictor Screw Cap
25	631867	Float Bowl
27	*631024	Float Shaft
28	632019	Float
29	*631028	Float Bowl "O" Ring
30	*631021	Inlet Needle, Seat, & Clip (Incl. 31)
31	631022	Spring Clip
36	640113	Main Nozzle Tube
37	*632547	Main Nozzle Tube "O" Ring
40	640163	High Speed Bowl Nut
44	27110A	Bowl Nut Washer
47	*630748	Welch Plug, Idle Mixture Well
48	*631027	Welch Plug, Atmospheric Vent
60	632760	Repair Kit (Incl. Items Marked *)

SEARS

operator's manual

MODEL NO. 143.001302

SOLID STATE IGNITION

CAUTION:
Read **RULES** for
Safe **OPERATION**
and **INSTRUCTIONS**
Carefully

How to ORDER Repair Parts

The Model Number can be found on a decal on the blower housing (See Figure 1). Always mention the Model Number when requesting service or repair parts for your Craftsman Engine.

All parts listed herein may be ordered from any SEARS, ROEBUCK AND CO. or SEARS CANADA, INC. retail or catalog store. If the parts you need are not stocked locally, your order will be electronically transmitted to a Sears Repair Parts Distribution Center for expedited handling.

WHEN ORDERING REPAIR PARTS, ALWAYS GIVE THE FOLLOWING INFORMATION AS SHOWN IN THIS LIST.

1. The PART NUMBER
2. The PART DESCRIPTION
3. The MODEL NUMBER
4. The NAME OF ITEM - ENGINE

"Your Sears merchandise has added value when you consider that Sears has service units nationwide staffed with Sears trained technicians... professional technicians specifically trained on Sears products, having the parts, tools and equipment to insure that we meet our pledge to you ... we service what we sell."

**Sold by SEARS, ROEBUCK AND CO., CHICAGO, IL 60684 U.S.A.
and SEARS CANADA, INC., TORONTO, ONTARIO, CANADA**