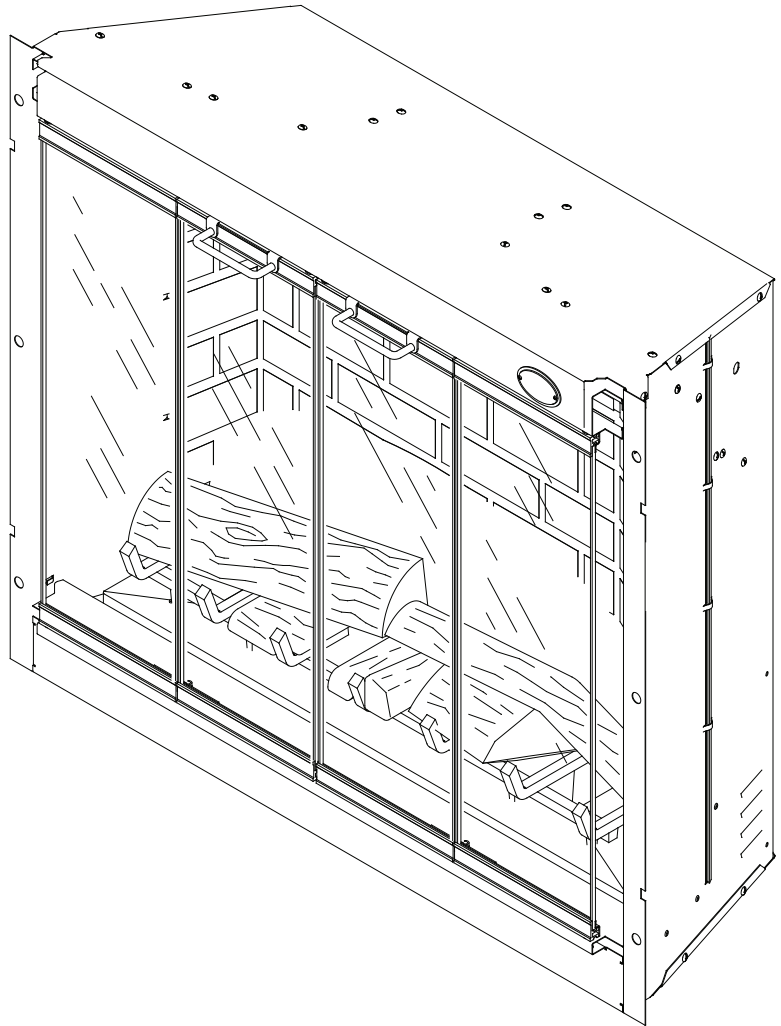


Service Manual

32" Purifire Fireplace with Full Feature Remote

Model Numbers:

DF3215 - MOD / to D



Dimplex North America Limited
1367 Industrial Road • Cambridge ON Canada N1R 7G8
1-888-346-7539 • www.dimplex.com

REV	PCN	DATE
00	~~~~	Aug 22, 07
01	11540	Jul 28, 09

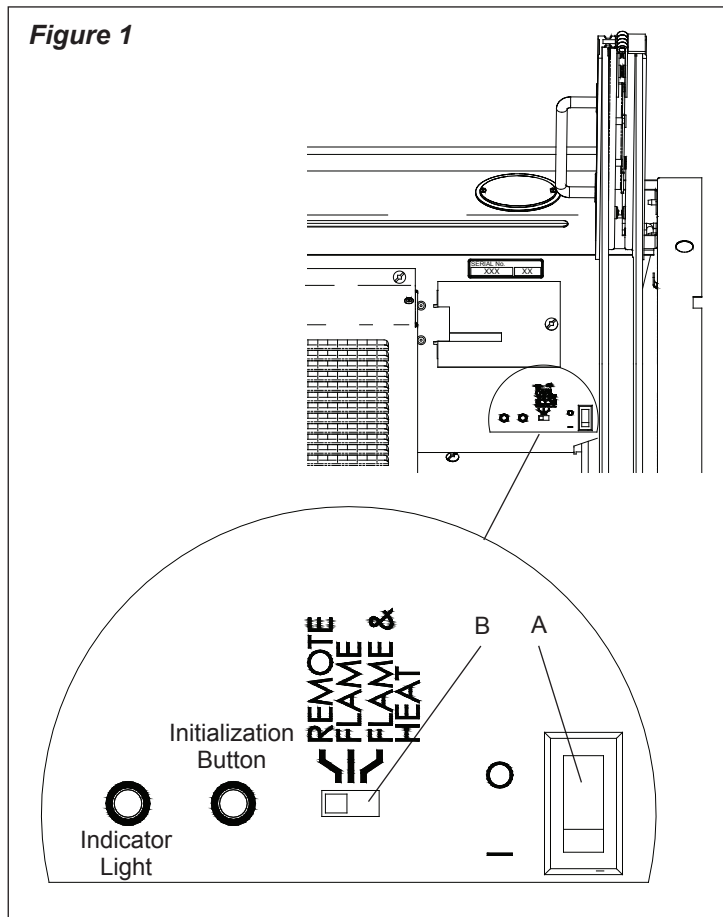
Table Of Contents

Page 3	Operation
Page 6	Exploded Parts Diagram and Parts List
Page 7	Wiring Diagram and Schematic
Page 8	Light Bulb Replacement
Page 9	Purifire™ Filter Replacement
Page 9	Mirror Replacement
Page 10	Main On/Off Switch Replacement
Page 11	Switch Board Replacement
Page 11	Flicker Motor/Flicker Rod Replacement
Page 12	Remote Control Board Replacement
Page 13	Heater Assembly/Cutout Replacement
Page 14	Power Cord Replacement

Operation

Electric Fireplace Manual Control

The manual controls for the fireplace are located in the upper right hand corner (Figure 1).



A. Main On/Off Switch

Supplies power to the 3 position manual control switch.

B. 3 Position Manual Control Switch

Remote (left position): The unit is operated with the remote control.

Flame (center position): The flame effect is turned ON.

**** Flame & Heat (right position):** The flame effect and heater are turned ON simultaneously. When the manual control is in the **Flame & Heat** position the heater does not run on the remote operated thermostat. When the heater is ON the red indicator light is activated on the firebox and the fan and heater are running on low.

! NOTE: When the manual control switch is in the **Flame** and **Flame & Heat** positions, the fireplace unit will not operate with the remote control.

Resetting The Temperature Cutoff Switch *

Should the heater overheat, an automatic switch will turn the heater off and it will not come back on without being reset. The temperature cutoff switch can be reset by unplugging the unit, waiting 5 minutes and plugging the unit back in.

! CAUTION: If you need to continuously reset the heater, unplug the unit and call Dimplex North America Limited at 1-888-346-7539 for technical support.

* **Not applicable on DF3215NH model fireplaces.**

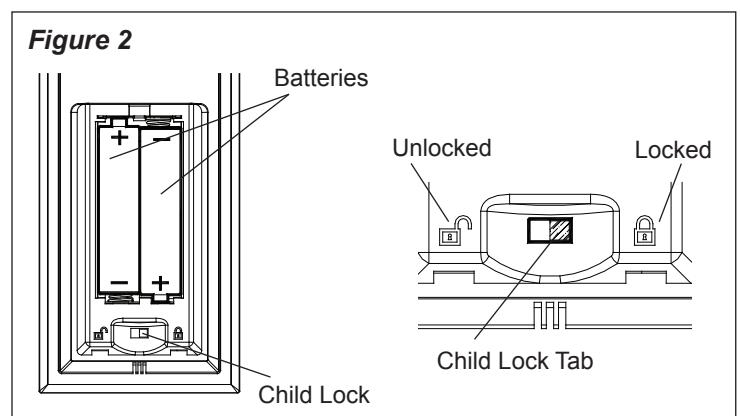
** **Flame only function of DF3215NH**

Remote Control


The remote control has a range of approximately 50 ft. (15.25m). It does not have to be pointed at the fireplace and can pass through most obstacles (including walls). It is supplied with 243 independent frequencies to prevent interference with other units.

Battery Installation



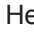

1. Depress tab on the battery cover on the back of the remote transmitter and remove battery cover (Figure 2).




2. Install two (2) AAA batteries into the remote control (included).
3. Ensure child lock is in the "unlocked" position.
4. Replace the battery cover.

! NOTE: When the  symbol is present on the remote control it is recommended to replace the batteries promptly, to maintain full functionality of the remote/fireplace. The remote transmitter has a battery backup time of only several hours.


Initializing The Remote Control

1. Plug cord into 120 Volt wall outlet.
2. Ensure the Main On/Off switch located in the switch box in the fireplace in the upper right hand corner is in the On  position.
3. Set the 3 position manual control to the **Remote** position (left position).
4. Press and hold the initialization button on the unit.
5. While holding the initialization button, press the Flame/Heat On/Off button  or the Purifire™ On/Off  button on the remote control transmitter.
6. Release the initialization button on the unit.
7. Press the Flame/Heat On/Off button  to turn the Flame/

Heat function On or press the Purifire™ On/Off button  to turn the Purifire™ function ON.

Frequency Interference

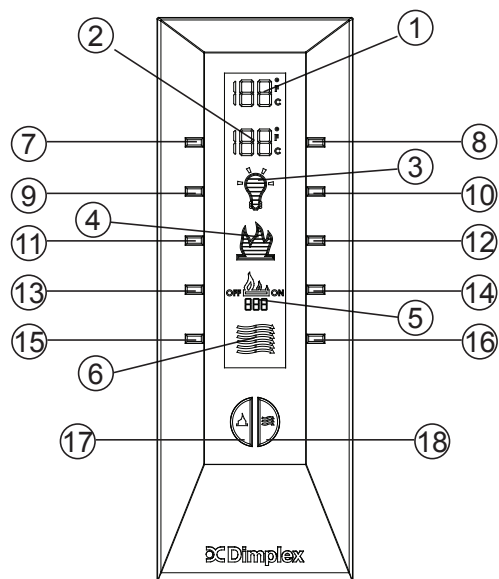
If the fireplace does not respond properly to the remote control, the remote operating frequency may have to be reset. The remote control can send another frequency code to the circuit board to eliminate interference.

1. Simultaneously press the “**Slow Start**” button and the “**Purifire™ Low Speed**” button on the remote control.
2. “**CODE**” will appear.
3. Release the “**Slow Start**” button and the “**Purifire™ Low Speed**” button.
4. Press and hold the initialization button on the unit.
5. Press the  button on the remote and release the initialization button.

Your remote will now have a different frequency communicating with the fireplace.

Remote Control Functions (Figure 3)

Figure 3





- | | |
|-------------------------------------|----------------------------------|
| 1. Room Temperature | 10. Dimmer Up/Firelight On |
| 2. Set Temperature* | 11. Flame Speed Down |
| 3. Dimmer | 12. Flame Speed Up |
| 4. Flame Speed Control | 13. Slow Start/Fading Embers Off |
| 5. Slow Start/Fading Embers Control | 14. Fading Embers On/Timer Cycle |
| 6. Purifier™ Speed | 15. Purifier™ Low Speed |
| 7. Temperature Down* | 16. Purifier™ High Speed |
| 8. Temperature Up* | 17. Flame & Heat On/Off |
| 9. Dimmer Down/Firelight Off | 18. Purifier™ On/Off |

2. Set Temperature*

1. Press **17. Flame Heat On/Off** button to turn fireplace on.
2. Press **8. Temperature Up** to raise thermostat.
3. Press **7. Temperature Down** to lower thermostat.
4. Press both **8. Temperature Up** and **7. Temperature Down** to change °F to °C.

! * **NOTE:** The set temperature buttons are not operational on the DF3215NH model fireplaces.

3. Light Dimmer Firelight

1. Press the **17. Flame/Heat On/Off** button to turn the Flame/Heat On.
2. Repeatedly press the **10. Light Dimmer Up** or **9. Light Dimmer Down** button to decrease or increase the brightness of the upper lights.
3. To activate the “**Firelight**”, continue pressing **10. Light Dimmer Up** until the “**Firelight On**” icon  is shown on the display screen.
4. To shut the “**Firelight**” off, turn the **9. Light Dimmer Down** button until the “**Firelight**” icon off  is shown on the display.

4. Flame Speed

1. Press the **17. Flame/Heat On/Off** button to turn the Flame/Heat On.
2. Press the **12. Flame Speed Up** to increase the speed of the flame.
3. Press the **11. Flame Speed Down** to decrease the speed of the flame.

5. Slow Start / Fading Embers

The slow start function simulates a starting fire. The slow start function is automatically programmed for 30 seconds. The fading embers function simulates a fire going out. The fading embers timer can be set to 1, 5 or 10 minutes.

1. Press the **14. Slow Start Fading Embers On** button to turn the Slow Start/Fading Embers function on.
2. Press the **14. Fading Embers On** button repeatedly to set the fading embers timer time to 1, 5 or 10 minutes.
3. Press the **13. Fading Embers Off** button to turn the Fading Embers timer function off.

6. Purifier™ Speed

Press the **18. Purifire™ On/Off** button to turn the Purifire™ function **On**. When the Purifire™ function is **On** the Purifire™ Speed symbol will flash. When off the symbol will be solid. The default setting for the Purifire™ is set at low speed. Press the **16. Purifier™ High Speed** button to switch to the high speed level and the **Purifier™ Speed** symbol will flash more quickly. Press the **15. Purifier™ Low Speed** button to switch back to the lower speed, or Press the **18. Purifire™ On/Off** button to turn the Purifire™ function **Off**.

17. Flame / Heat On/Off Button*

Press the **17. Flame/Heat On/Off** button to turn the Flame/Heat function **On**. When the **2. Set Temperature** is higher than the **1. Room Temperature** the heat will come on. To turn the heat off, lower the **2. Set Temperature** so that it's setting is lower than the **1. Room Temperature**. The default temperature setting is 72°F (22°C).

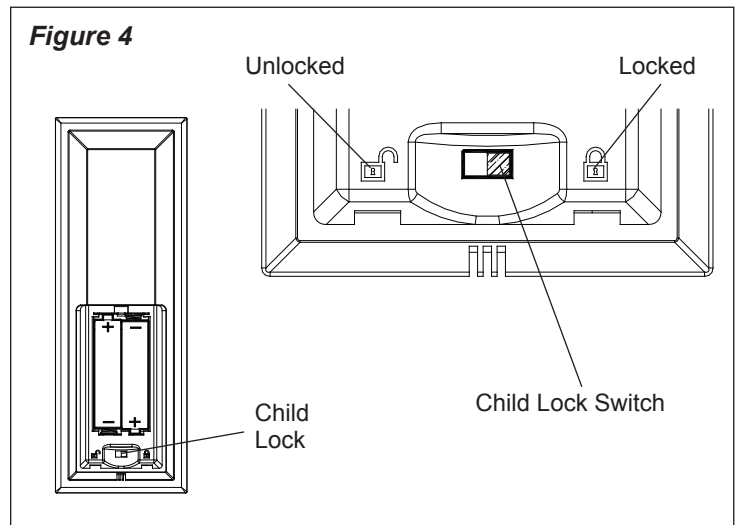
! NOTE: When using the remote control the heater runs on a thermostat. Press the **8. Temperature Up** or **7. Temperature Down** button to adjust the set temperature. Once the desired set temperature is reached the heater will turn **Off**. The heater will cycle **On** and **Off** to maintain the desired set temperature.

Child Lock (Figure 4)

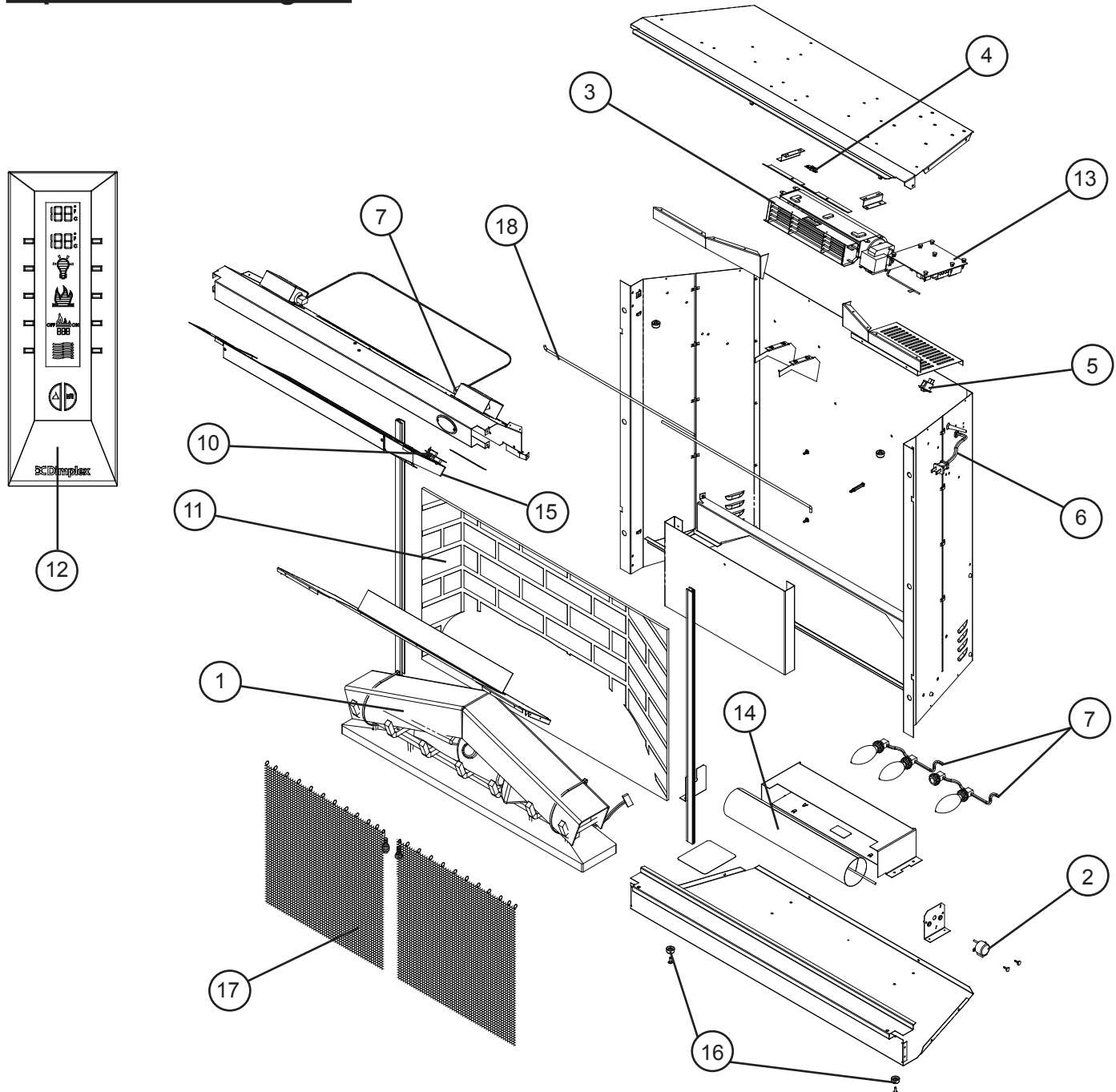
1. Depress tab on the battery cover on the back of the remote transmitter and remove the battery cover.
2. Move Child Lock tab to the right to lock the remote transmitter.
3. Move Child Lock tab back to the left to unlock the remote transmitter.
4. Replace the battery cover.

! NOTE: To temporarily unlock the remote transmitter press (in order) **7. Temperature Down** then **8. Temperature Up** then **9. Dimmer Down**.

When the remote transmitter's backlight is illuminated the Child Lock is bypassed. When the backlight is off the Child Lock is re-activated.



Exploded Parts Diagram



Replacement Parts List

DF3215

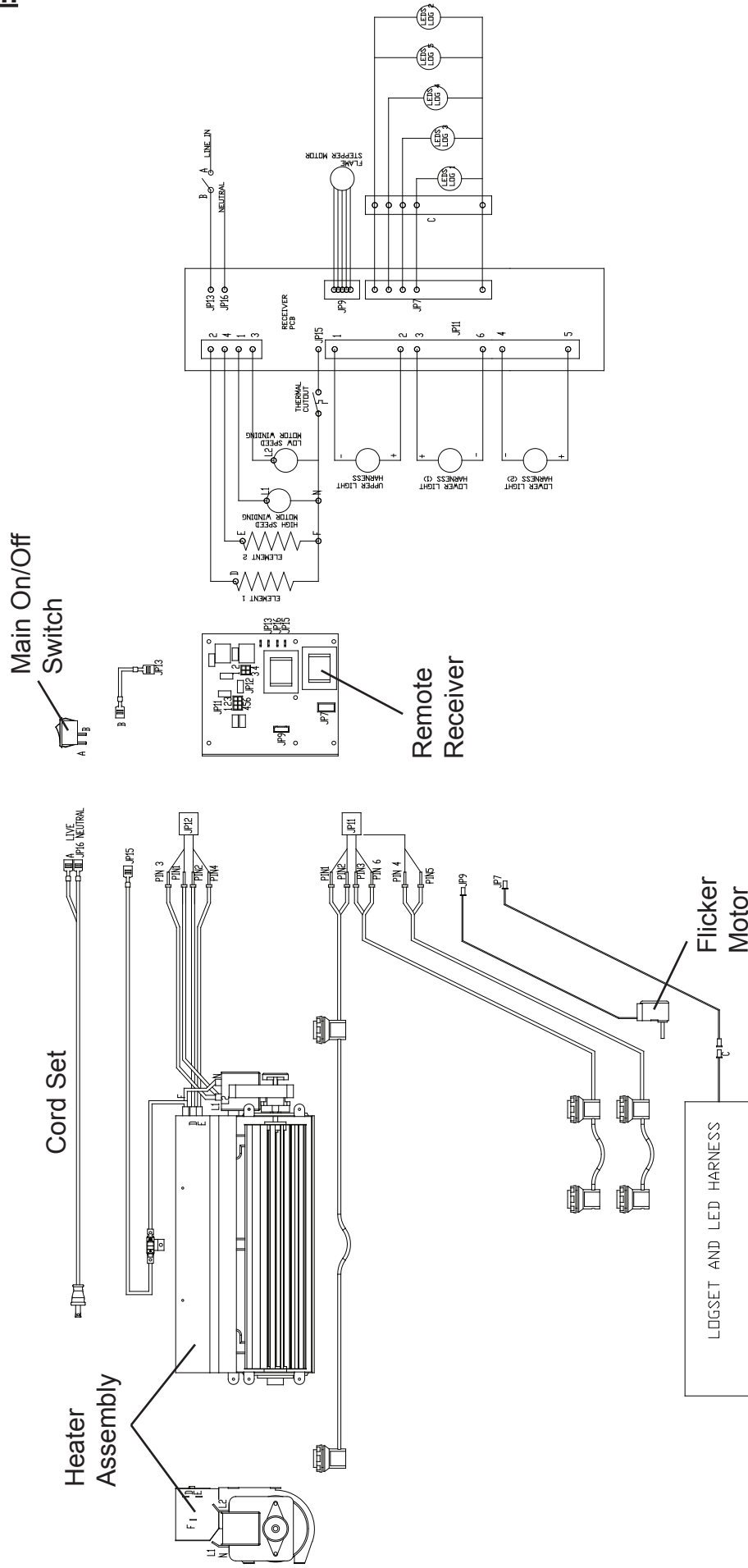
Part Number

6902520159

Replacement Part:

1. 30" Urethane Log set	0439070100RP	11. Mirror - Silvered	5900160700RP
2. Flicker Motor	3000240200KIT	12. Remote Transmitter	3000610100RP
3. Heater Assembly	2200490600RP	13. Remote Receiver	3000320500RP
4. Cutout	2300200500RP	14. Flicker Rod	5900080700RP
5. Main On/Off Switch	2800070700RP	15. Purifire™ Filter	0439060100RP
6. Cord Set	4100040400RP	16. Fireplace Foot	8800090100RP
7. Upper & Lower Light Wire Assembly	2500200200RP	17. Steel Curtain	8800240603RP
8. Wire Harness - Receiver to Log set	2500380100RP	18. Steel Curtain Rod	8800250400RP
9. Wire Harness - Receiver to Blower	2500390100RP	19. Bi-fold Doors Kit	6902560100RP
10. Switch Board	3000320300RP		

Wiring Diagram



Light Bulb Replacement

Allow at least five (5) minutes for light bulbs to cool before touching bulbs to avoid accidental burning of skin.

Light bulbs need to be replaced when you notice a dark section of the flame or when the clarity and detail of the log ember bed exterior disappears. There are four (4) bulbs under the log set, which generate the flames and embers, and two (2) bulbs above the log that illuminate the log exterior.

Helpful Hints

It is a good idea to replace all light bulbs at one time if they are close to the end of their rated life. Group replacement will reduce the number of times you need to open the unit to replace light bulbs. Care must be taken when removing the log set as the log set contains LED's and wires.

Lower Light Bulb Requirements

Quantity of four (4) clear chandelier or candelabra bulbs with an E-12 (small) socket base, 60 Watt rating. Example: GE 60BC or Philips 60 CTC.

Do not exceed 60 Watts per bulb

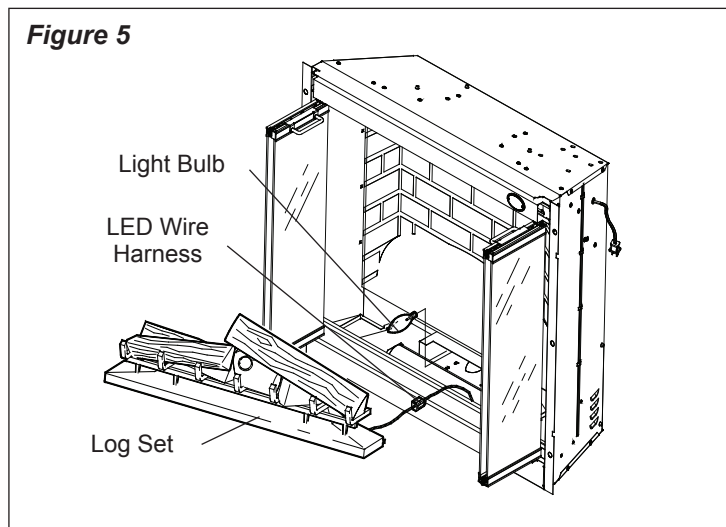
To access the lower light bulb area (Figure 5):

1. Disconnect power to fireplace.
2. Slide fireplace out from mantel.
3. Open the bi-fold doors and steel curtain.
4. Pull the front edge of the plastic ember bed or plastic grate up and forward until the rear tab releases from the ledge located at the bottom of the mirror.

! IMPORTANT: Only handle the log set by the ember bed.

! NOTE: Log set fits tightly into firebox, some force may be necessary to remove.

5. Set log set in front of fireplace.
6. Disconnect the log set LED wire harness from unit (Figure 5).



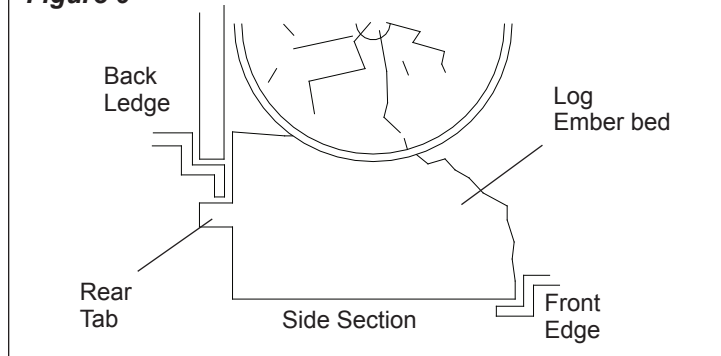
7. Pull the Flicker Rod to the far right, then bend it carefully to free and lift the left side out of the mounting bracket.

! NOTE: When removing the Flicker Rod, damage may occur if bent excessively. If the Flicker Rod is damaged, replace to insure proper operation.

8. Replace bulb(s) as needed.
9. Reinstall the Flicker Rod.
10. Reconnect the log set LED wire harness.
11. Replace the log set by inserting the rear edge of the log set and push down on the front edge of the ember bed until it snaps into place (Figure 6).

! NOTE: Ensure the log set is installed tightly under the back ledge to prevent light leakage.

Figure 6



12. Close steel curtain and bi-fold doors.
13. Replace fireplace into mantel.

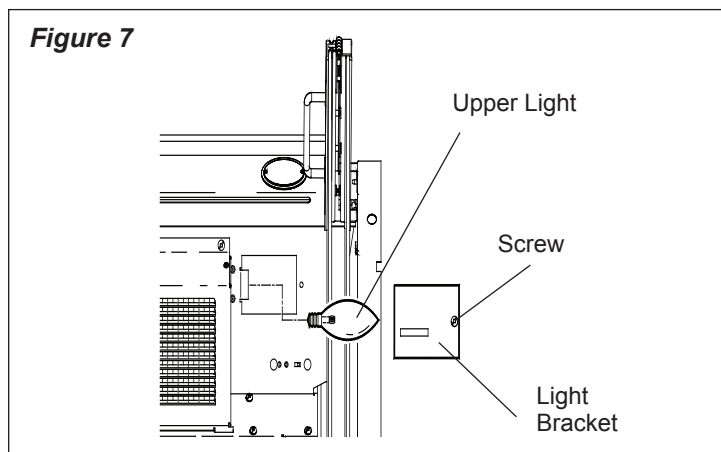
Upper Light Bulb Requirements

Quantity of two (2) clear chandelier or candelabra bulbs with an E-12 (small) socket base, 25 Watt rating.

Do not exceed 25 Watts per bulb

To access the upper light bulb area (Figure 7):

1. Open bi-fold doors and steel curtain.
2. Upper bulbs are located in the upper left and upper right corners of fireplace.



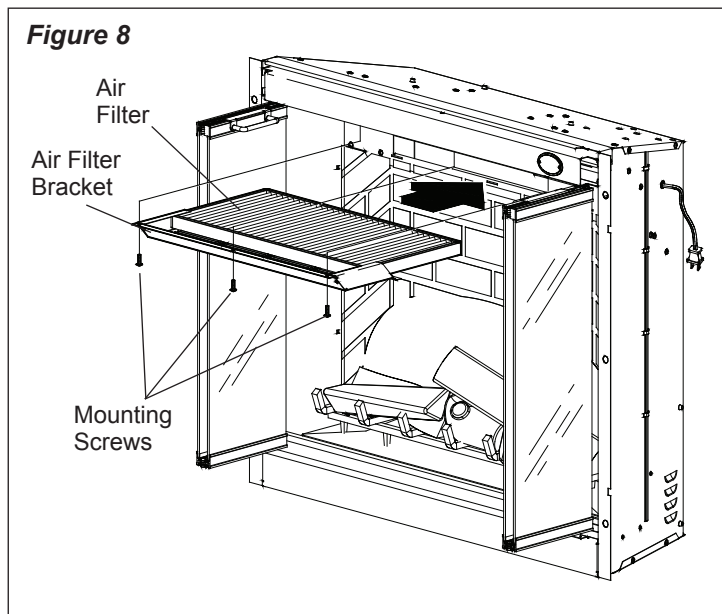
3. Remove the light cover for each bulb (one (1) Philips screw each).
4. Unscrew bulbs counter clockwise.
5. Insert new bulbs.
6. Re-install upper light bracket.
7. Close steel curtain and bi-fold doors.

Purifire™ Filter Replacement

The Purifire™ filter supplied in the fireplace is reusable and washable. The filter should be cleaned or replaced on average once a year. To clean the filter gently tap filter on a hard surface to dislodge any loose dirt or debris, and then clean with water. No soap or cleaning products are recommended. The filter size is 20" X 10" X 1" rated at MERV 10. If using an after market filter follow the manufacturers recommended replacement instructions.

To replace filter:

1. Open the bi-fold doors.
2. Remove the three (3) mounting screws from the air filter bracket (Figure 8).
3. Remove the air filter bracket assembly from the firebox.
4. Slide filter out of air filter bracket.
5. Reassemble in reverse order as above.



Mirror Replacement

If the fireplace was operating prior to servicing allow at least 10 minutes for light bulbs and heating element to cool off to avoid accidental burning of skin.

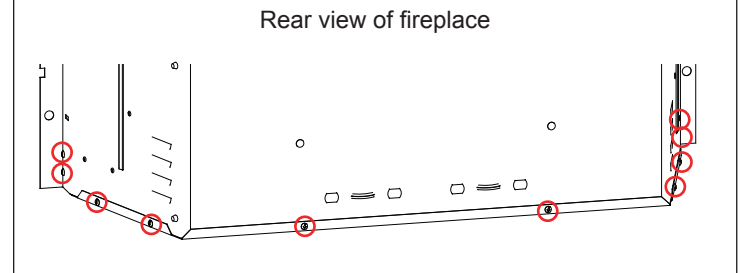
Disconnect power before attempting any maintenance or cleaning to reduce the risk of electric shock or damage to persons.

Replacement Procedure

1. Slide fireplace out from mantel.

2. Lay fireplace on its back.
3. Remove the 10 Philips screws that attach the bottom panel to the fireplace as shown in Figure 9. There are: two (2) screws along the bottom edge of each side; two (2) screws immediately behind the front trim piece; and two (2) screws along the back, bottom edge of the fireplace.

Figure 9



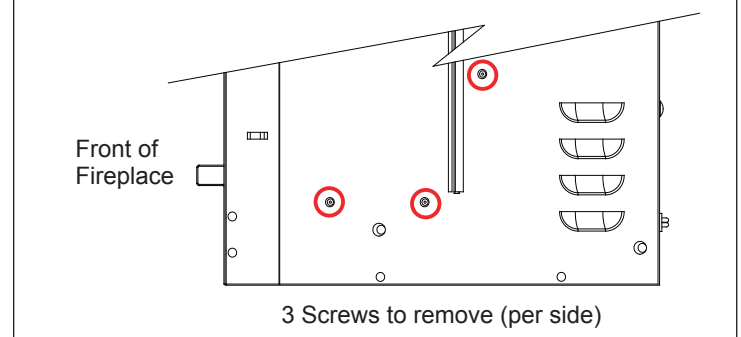
! NOTE: Use caution when removing bottom panel as there are components attached to the panel which are hard wired within the fireplace chassis.

! NOTE: The bi-fold doors are supported by the bottom panel. When pulling the bottom panel away from the chassis, do so carefully so that the doors do not get damaged.

4. Carefully remove bottom panel from fireplace and swivel it outwards to the right so as to keep wiring connected but allowing sufficient room to work.
5. Slide the bi-fold doors out of the top frame track and set aside.
6. Disconnect the log set LED wire harness.
7. Remove the six (6) Philips screws that hold the log set support bracket in place. Refer to Figure 10 for a side view of the fireplace showing screw locations.

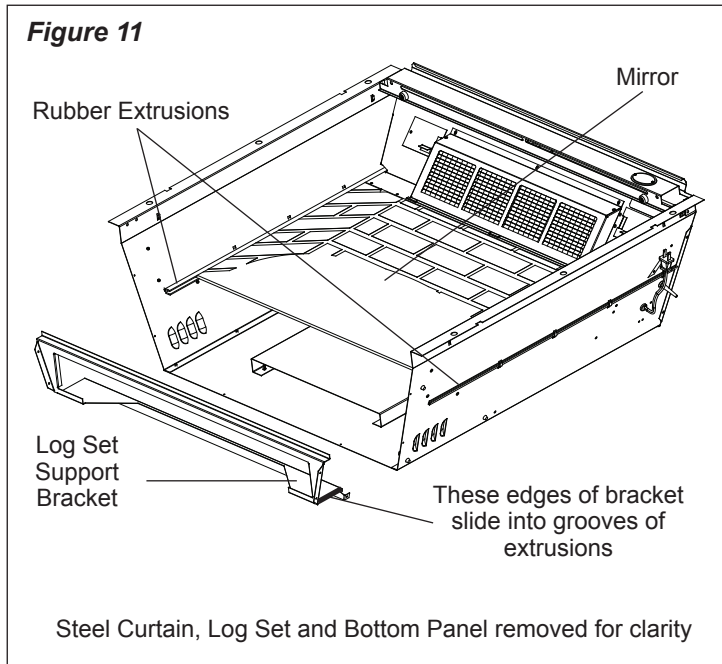
! NOTE: Some fireplaces have these three points riveted instead of screwed in place. If this is the case, use a 1/8 inch drill bit to drill out the rivet.

Figure 10



8. Remove the log set and set aside.
9. Referring to Figure 11, the sides of the log set support bracket are aligned within the rubber extrusions of the

Figure 11



fireplace. Slide the bracket directly out the bottom of the fireplace and set aside.

- Slide Mirror down and out the bottom of the fireplace.
- Align sides of replacement Mirror with grooves of rubber extrusions and with brick effect facing out towards the front of the fireplace, slide Mirror up into the fireplace. The Mirror should slide into a holding track just beneath the filter.
- Slide Log Set Support Bracket back into place, the sides of the bracket lining up with the grooves of the rubber extrusions (Figure 11).
- Reinstall Log Set while support bracket is loose within fireplace. The back edge of the Log Set should fit under the bottom edge of the Mirror, and the front edge of the Log Set should fit in behind the top, inside edge of the Log Set Support Bracket (see Figure 6, page 8).
- Install Log Set Support Bracket using the six (6) screws from step 7 (or, if rivets were originally in place, use the screws supplied with RP kit for Mirror).
- Reconnect the LED Wire Harness for the Log Set.
- Reassemble the bottom panel of the fireplace following steps 1-5 in reverse order.

Main On/Off Switch Replacement

If the fireplace was operating prior to servicing allow at least 10 minutes for light bulbs and heating element to cool off to avoid accidental burning of skin.

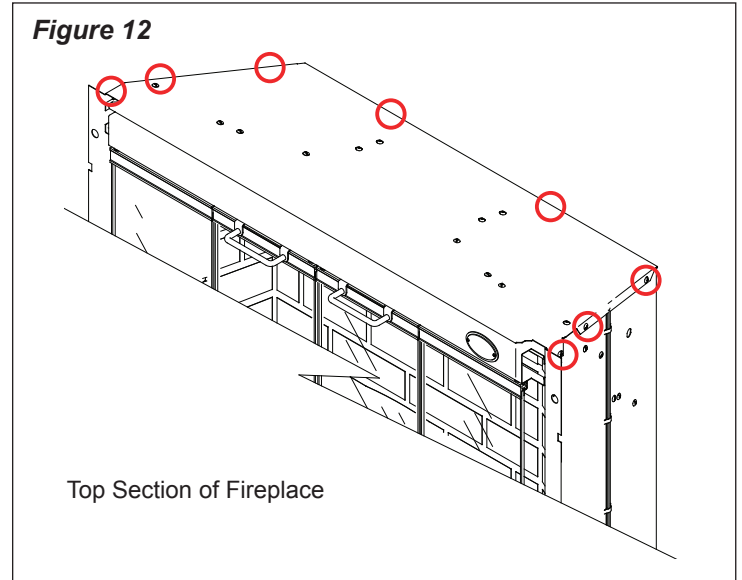
Disconnect power before attempting any maintenance or cleaning to reduce the risk of electric shock or damage to persons.

Main On/Off Switch Replacement Procedure:

- Remove the firebox from the mantel.
- Remove the eight (8) Philips screws that fasten the top

cover to the rest of the firebox. There are: three (3) screws on each side along the top edge; and two (2) screws on the back along the top edge (Figure 12).

Figure 12

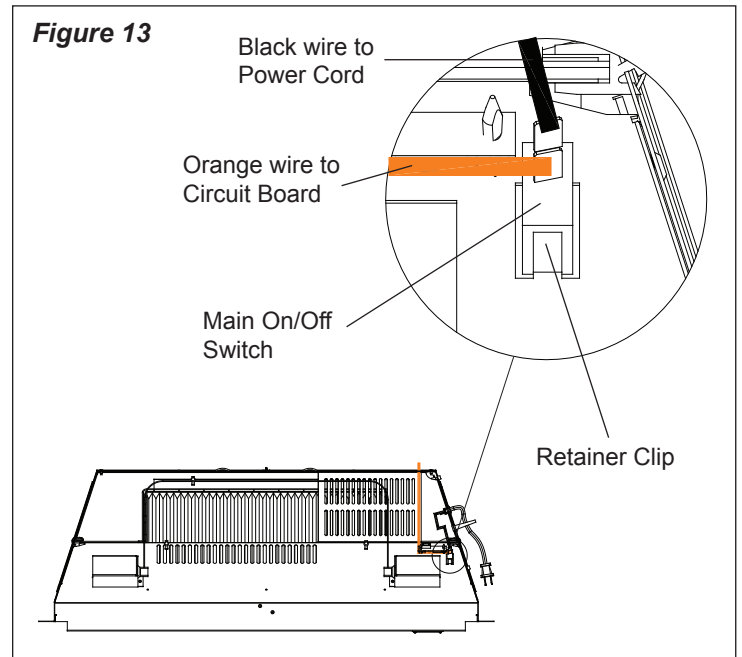


- Flip the top panel over and rest it on the top of the fireplace.

CAUTION: Use caution when flipping top panel over as there are components attached to the top panel which are wired to the internal cavity of the fireplace.

- Open the bi-fold doors and steel curtain.
- Locate the Main On/Off Switch mounted on the top of the fireplace on the right side (Figure 13) and disconnect the two (2) wiring clips noting their original locations.
- Depress the two (2) retainer clips on the sides of the

Figure 13



switch and push the switch through the sheet metal and into the fireplace display cavity. Remove from the front of the fireplace

7. Properly orientate the new switch and push it through the sheet metal from inside the firebox. Push until the retainer clips on either side of the switch snap into place.
8. Re-connect the two (2) wire clips to the back of the switch.
9. Reassemble in the reverse order as above.

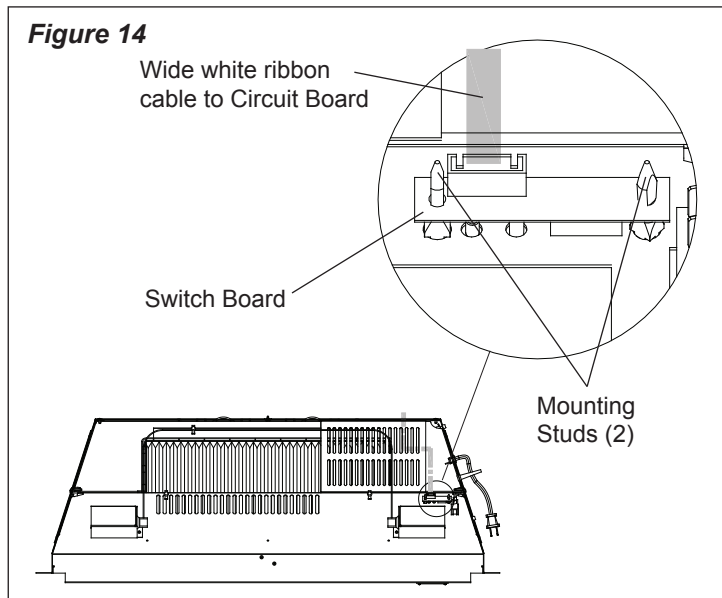
Switch Board Replacement

If the fireplace was operating prior to servicing allow at least 10 minutes for light bulbs and heating element to cool off to avoid accidental burning of skin.

Disconnect power before attempting any maintenance or cleaning to reduce the risk of electric shock or damage to persons.

Replacement Procedure

1. Remove the firebox from the mantel.
 2. Remove the eight (8) Philips screws that fasten the top cover to the rest of the firebox. There are: three (3) screws on each side along the top edge; and two (2) screws on the back along the top edge (Figure 12, Page 10).
 3. Flip the top panel over and rest it on the top of the fireplace.
- ⚠ CAUTION:** Use caution when flipping top panel over as there are components attached to the top panel which are wired to the internal cavity of the fireplace.
4. Open the bi-fold doors and steel curtain.
 5. Locate the Switch Board mounted on the top of the fireplace on the right side (Figure 14) and disconnect the one (1) wide white ribbon cable noting its original location.



6. The Switch Board is fastened to the sheet metal by two (2) mounting studs, one on each side (Figure 14). Squeeze both mounting stud's clasp to release and remove the Switch Board.

7. Properly orientate the new Switch Board, snap onto the mounting studs and reconnect the ribbon cable as before.
8. Reassemble in the reverse order as above.

Flicker Motor/Flicker Rod Replacement

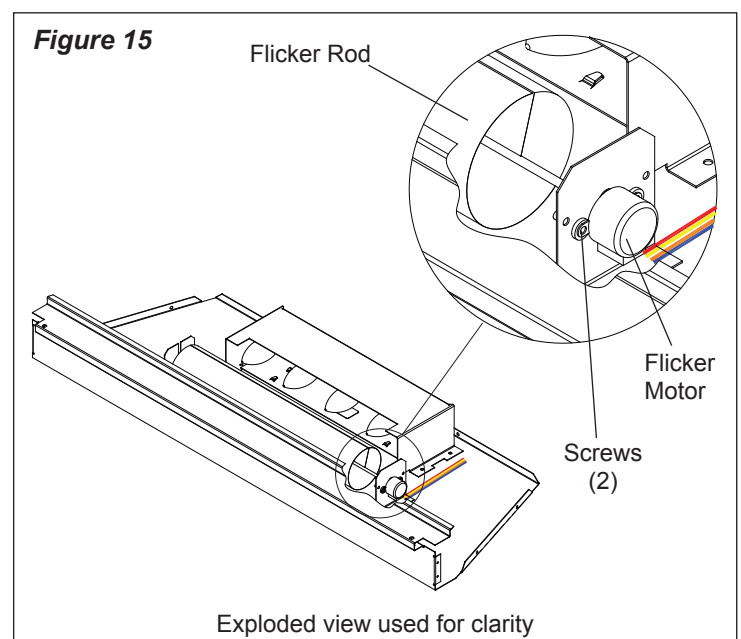
If the fireplace was operating prior to servicing allow at least 10 minutes for light bulbs and heating element to cool off to avoid accidental burning of skin.

Disconnect power before attempting any maintenance or cleaning to reduce the risk of electric shock or damage to persons.

Replacement Procedure:

1. Slide fireplace out from mantel.
 2. Open the bi-fold doors and steel curtain.
 3. Pull the front edge of the plastic ember bed or plastic grate up and forward until the rear tab releases from the ledge located at the bottom of the mirror (Figure 5, Page 8).
- ! IMPORTANT:** Only handle the log set by the ember bed.
- ! NOTE:** Log set fits tightly into firebox, some force may be necessary to remove.
4. Set log set in front of fireplace.
 5. Disconnect the log set LED wire harness from unit (Figure 5, Page 8).
 6. Pull the Flicker Rod to the far right, then bend it carefully to free and lift the left side out of the mounting bracket (Figure 15).

! NOTE: When removing the Flicker Rod, damage may occur if bent excessively. If the Flicker Rod is damaged, replace to insure proper operation.



7. Remove Flicker Rod (replace and reassemble if Flicker Motor does not need to be changed at this point).
8. Before removing the Flicker Motor, cut the Flicker Motor wires (five (5) in total) close to the Flicker Motor end with wire cutters.
9. Remove the rubber bushing from the motor shaft by applying needle nose pliers to the motor shaft and twist the rubber bushing off of the motor shaft.
10. Remove the motor by unscrewing the two (2) Philips screws that attach the motor to the mounting bracket (Figure 15).
11. Discard old Flicker Motor.
12. Pick up new Flicker Motor and cut wire leads to 3 1/2 inch long with wire cutters.
13. Using one of the supplied wire connectors from the Replacement Part Kit, place one (1) yellow wire from the new Flicker Motor and the yellow wire cut in step 9 into each terminal.
14. Secure the wire connector by crimping the 3M symbol with pliers.
15. Pull on end of wires to ensure a strong connection.
16. Repeat the process for the four (4) remaining wires. ENSURE THAT ALL WIRES ARE PAIRED BY COLOUR IN EACH CONNECTOR.
17. Properly orientate and secure the replacement Flicker Motor to the bracket with screws removed in step 10.
18. Replace rubber bushing on motor shaft.
19. Replace Flicker Rod.
20. Reassemble firebox in reverse order as above and replace in mantel.

Remote Control Replacement

Remote Control hand held transmitters require no replacement procedure however, a reinitialization procedure may need to be followed. Refer to Page 3 for the Remote Initialization procedure.

If the fireplace was operating prior to servicing allow at least 10 minutes for light bulbs and heating element to cool off to avoid accidental burning of skin.

Disconnect power before attempting any maintenance or cleaning to reduce the risk of electric shock or damage to persons.

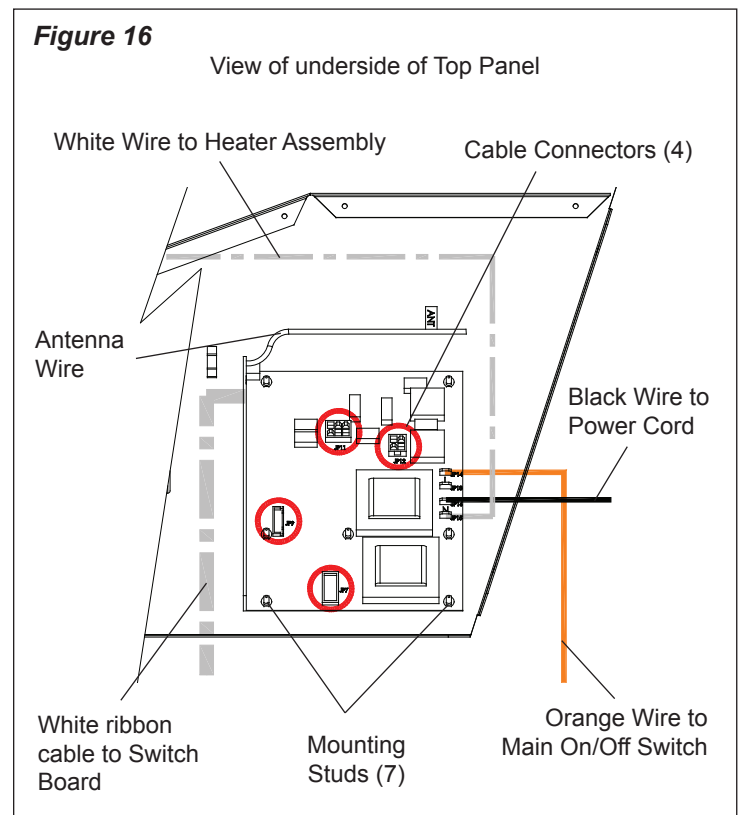
Receiver Replacement Procedure:

1. Remove the firebox from the mantel.
2. Remove the eight (8) Philips screws that fasten the top cover to the rest of the firebox. There are: three (3) screws on each side along the top edge; and two (2) screws on the back along the top edge (Figure 12, Page 10).
3. Flip the top panel over and rest it on the top of the fireplace.

CAUTION: Use caution when flipping top panel over as there are components attached to the top panel which

are wired to the internal cavity of the fireplace.

4. Locate the Remote Control Receiver on the right side of the upturned top panel (Figure 16).



5. Remove the one (1) white, one (1) orange, one (1) black wire lead, four (4) cable connectors and the one (1) white ribbon cable from the Remote Control Receiver Board as shown in Figure 16, noting their original locations. The four (4) cable connectors all use different sized plugs, reinstallation will not be difficult.

NOTE: The Antenna Wire is permanently attached to the fixed daughter card of the Remote Control Receiver Board (Figure 16). Do not attempt to remove.

6. The Remote Control Receiver Board is fastened to the underside of the top panel by seven (7) Mounting Studs, one (1) in each corner, and three (3) down off center as shown in Figure 16. Either squeeze each mounting stud's clasp to release, or use side cutters to cut and remove each of the Mounting Studs on the board.

NOTE: If mounting studs are cut, replacement mounting studs will need to be inserted through the top panel. Replacement Mounting Studs are supplied.

7. Clear both ends of each cut Mounting Stud from the control board and the top panel.
8. Properly orientate the new Remote Control Receiver Board, run the Antenna Wire out the side of the fireplace as it had been and re-connect all of the wiring connections (refer to notes taken in step 5 and Figure 16).

9. Reassemble in the reverse order as above.

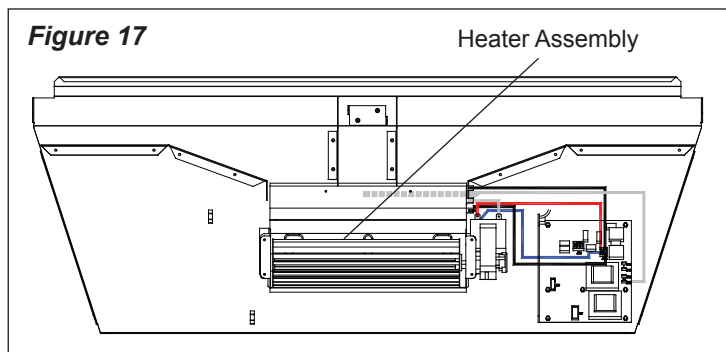
Heater Assembly/Cutout Replacement

If the fireplace was operating prior to servicing allow at least 10 minutes for light bulbs and heating element to cool off to avoid accidental burning of skin.

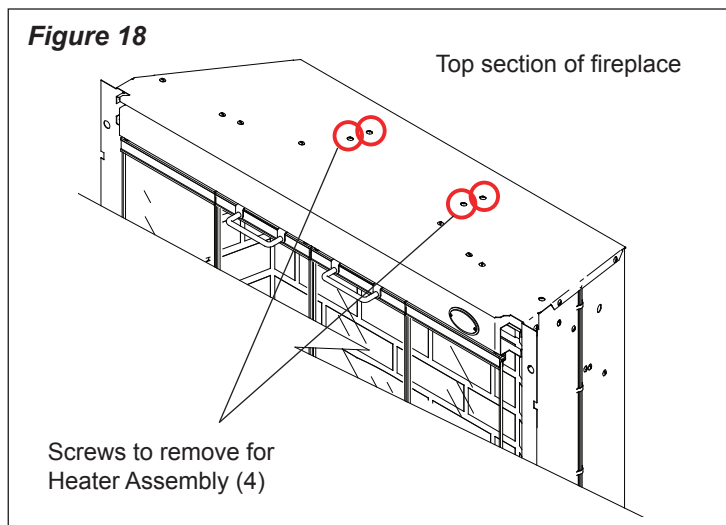
Disconnect power before attempting any maintenance or cleaning to reduce the risk of electric shock or damage to persons.

Replacement Procedure

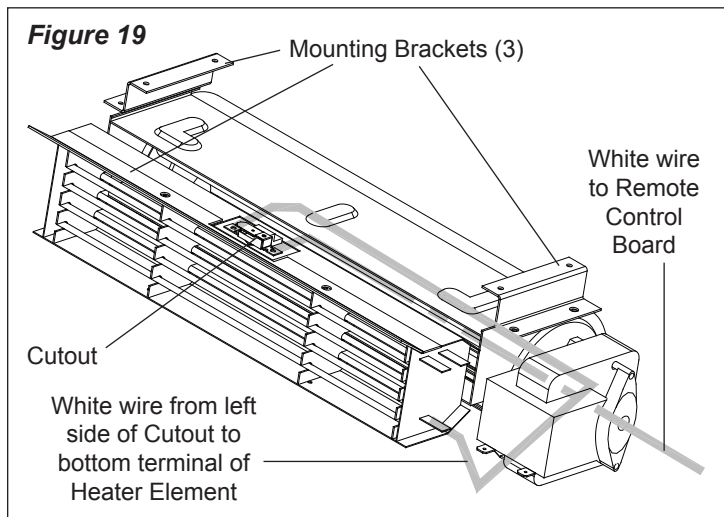
1. Remove the firebox from the mantel.
 2. Remove the eight (8) Philips screws that fasten the top cover to the rest of the firebox. There are: three (3) screws on each side along the top edge; and two (2) screws on the back along the top edge (Figure 12, Page 10).
 3. Flip the top panel over and rest it on the top of the fireplace.
- ⚠ CAUTION:** Use caution when flipping top panel over as there are components attached to the top panel which are wired to the internal cavity of the fireplace.
4. Locate the Heater Assembly in the center of the upturned top panel (Figure 17).



5. Disconnect all six (6) wire connections at the side of the Heater Assembly, noting all of their original positions.
6. Turn the top panel over and while supporting the



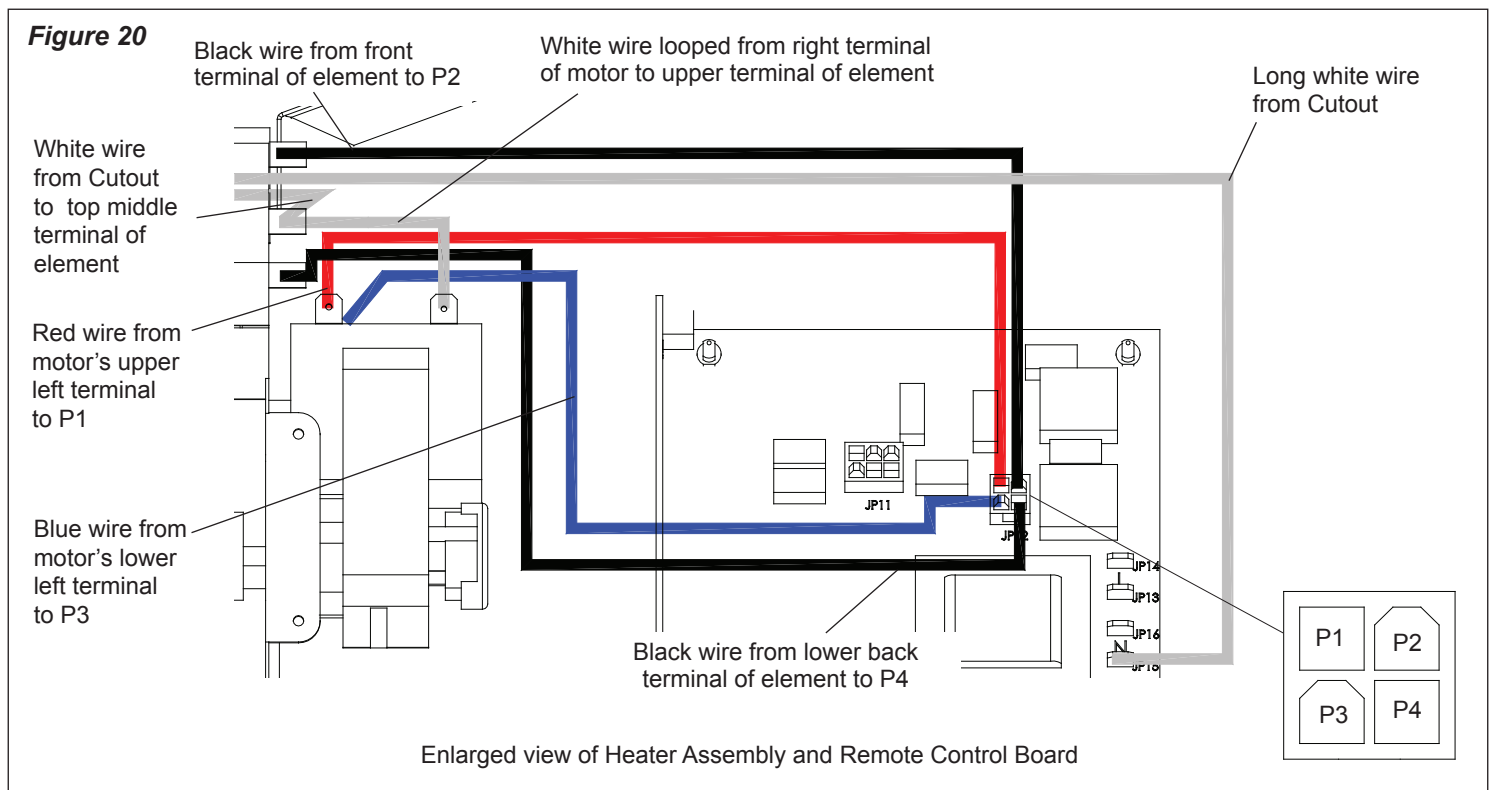
Heater Assembly and panel in one hand, remove the four (4) heater mounting screws (Figure 18).



7. Carefully separate the Heater Assembly from the top panel as the Cutout is mounted to the Heater Assembly (Figure 19).
8. Remove one (1) Philips screw that holds the Cutout to the Heater Assembly - replace if required. Follow wiring reference in Figure 19.

! NOTE: Reassemble in reverse order from this point if repair is complete. Continue if replacing Heater Assembly.

9. Remove the three (3) Mounting Brackets as shown in Figure 19. Each bracket will be attached to the Heater Assembly by two (2) Philips screws.
10. Attach the Cutout to the new Heater Assembly using the same screw removed in step 8.
11. Reattach the Heater Assembly to the top panel using the four (4) screws from step 6.
12. Using Figure 20 as a reference as well as notes made in step 5, reconnect the six (6) wire connections between the Heater Assembly and Remote Control Board.
13. Reattach the Top Panel to the fireplace using the eight (8) screws removed in step 2.
14. Insert fireplace back into mantel.



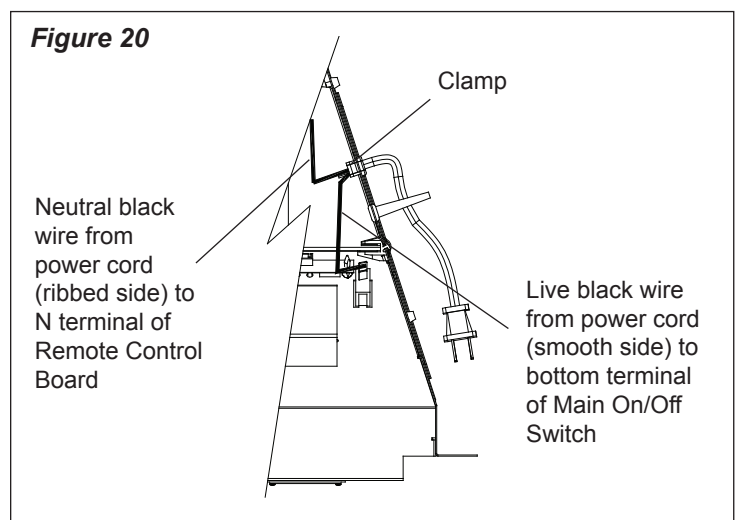
Power Cord Replacement

If the fireplace was operating prior to servicing allow at least 10 minutes for light bulbs and heating element to cool off to avoid accidental burning of skin.

Disconnect power before attempting any maintenance or cleaning to reduce the risk of electric shock or damage to persons.

Replacement Procedure:

1. Remove the firebox from the mantel.
 2. Remove the eight (8) Philips screws that fasten the top cover to the rest of the firebox. There are: three (3) screws on each side along the top edge; and two (2) screws on the back along the top edge (Figure 12, Page 10).
 3. Flip the top panel over and rest it on the top of the fireplace.
- CAUTION:** Use caution when flipping top panel over as there are components attached to the top panel which are wired to the internal cavity of the fireplace.
4. Disconnect the two (2) wire connections leading from the existing power cord. One (1) leads to the bottom terminal of the Main On/Off Switch, the other leads to the Neutral terminal on the Remote Control Board mounted to the underside of the Top Panel (Figure 21).
 5. Using pliers, squeeze the sides of the plastic wire clamp on the inside of the fireplace and push it, and the power cord through the chassis (Figure 21).
 6. Release clamp from power cord and remove cord from fireplace.
 7. Feed replacement power cord through opening in the



8. The wide blade of the power plug is designed to be neutral and is connected to the cord side with ridges in the rubber of the cord. Connect this side of the Power Cord to the Neutral (N) terminal of the Remote Control Board.
- The other side of the Power Cord will have stamped writing in the rubber sheath and is live. Connect this side of the Power Cord to the bottom terminal of the Main On/Off Switch.
9. Reassemble firebox
 10. Replace firebox back into mantel and plug in.