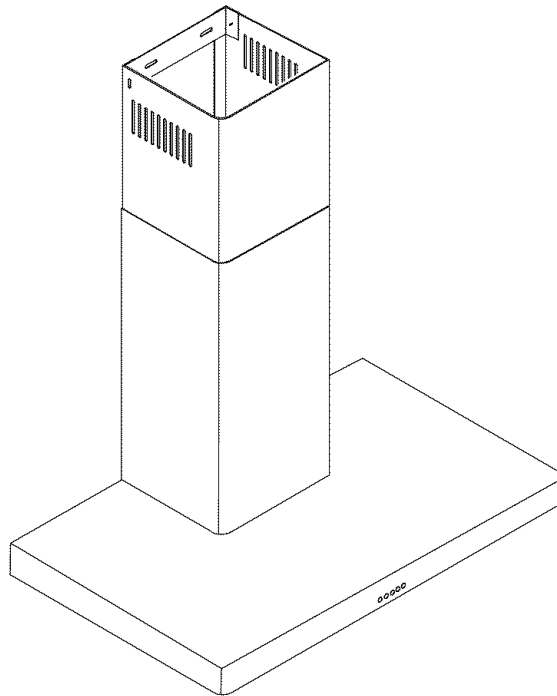


Use, Care, and Installation Guide

ROMA

- ZRA-E30AS
- ZRA-E36AS
- ZRO-E30AS
- ZRO-E36AS



ZRA-E30AS
ZRA-E36AS
Voltage 120V 60Hz
Power Consumption
Total: 180W
Lamp: Max 50W x2
Fan: 80W

ZRO-E30AS
ZRO-E36AS
Voltage 120V 60Hz
Power Consumption
Total: 400W
Lamp: Max 50W x2
Fan: 300W

Model number: _____
Serial number: _____
Dealer Name: _____
Date of Purchase: _____

Read all Instructions before Installing and operating this appliance

Important Safety Notice

READ AND SAVE THESE INSTRUCTIONS

WARNING—

TO REDUCE THE RISK OF FIRE, ELECTRIC SHOCK, OR INJURY TO PERSONS, OBSERVE THE FOLLOWING:

- a) Use this unit only in the manner intended by the manufacturer. If you have questions, contact the manufacturer.
- b) Before servicing or cleaning unit, switch power off at service panel and lock the service disconnecting means to prevent power from being switched on accidentally. When the service disconnecting means cannot be locked, securely fasten a prominent warning device, such as a tag, to the service panel.

" CAUTION "

"For General Ventilating Use Only. Do Not Use To Exhaust Hazardous Or Explosive Materials And Vapors."

WARNING—

TO REDUCE THE RISK OF FIRE, ELECTRIC SHOCK, OR INJURY TO PERSONS, OBSERVE THE FOLLOWING:

- a) Installation work and electrical wiring must be done by qualified person(s) in accordance with all applicable codes and standards, including fire-rated construction.
- b) Sufficient air is needed for proper combustion and exhausting of gases through the flue (chimney) of fuel burning equipment to prevent back drafting. Follow the heating equipment manufacturer's guideline and safety standards such as those published by the National Fire Protection Association (NFPA). And the American Society for Heating, Refrigeration and Air Conditioning Engineers (ASHRAE), and the local code authorities.
- c) When cutting or drilling into wall or ceiling, do not damage electrical wiring and other hidden utilities.
- d) Ducted fans must always be vented to the outdoors.
- e) If this unit is to be installed over a tub or shower, it must be marked as appropriate for the application and be connected to a GFCI (Ground Fault Circuit Interrupter)-protected branch circuit.

" WARNING "

" TO REDUCE THE RISK OF FIRE, USE ONLY METAL DUCTWORK. "

WARNING—

TO REDUCE THE RISK OF A RANGE TOP GREASE FIRE:

- a) Never leave surface units unattended at high settings. Boilovers cause smoking and greasy spillovers that may ignite. Heat oils slowly on low or medium settings.
- b) Always turn hood ON when cooking at high heat or when flambeing food (i.e. Crepes Suzette, Cherries Jubilee, Peppercorn Beef Flambe'),

Read all Instructions before Installing and operating this appliance

- c) Clean ventilating fans frequently. Grease should not be allowed to accumulate on fan or filter.
- d) Use proper pan size. Always use cookware appropriate for the size of the surface element.

WARNING—

TO REDUCE THE RISK OF INJURY TO PERSONS IN THE EVENT OF A RANGE TOP GREASE FIRE, OBSERVE THE FOLLOWING^a:

- a) SMOOTHER FLAMES with a close-fitting lid, cookie sheet, or metal tray, then turn off the burner. BE CAREFUL TO PREVENT BURNS. If the flames do not go out immediately, EVACUATE AND CALL THE FIRE DEPARTMENT.
- b) NEVER PICK UP A FLAMING PAN – You may be burned.
- c) DO NOT USE WATER, including wet dishcloths or towels – a violent steam explosion will result.
- d) Use an extinguisher ONLY if:
 - 1) You know you have a Class ABC extinguisher, and you already know how to operate it.
 - 2) The fire is small and contained in the area where it started.
 - 3) The fire department is being called.
 - 4) You can fight the fire with your back to an exit

^aBased on "Kitchen Firesafety Tips" published by NFPA.

"CAUTION"

To reduce risk of fire and to properly exhaust air, be sure to duct air outside-Do not vent exhaust air into spaces within walls or ceilings or into attics, crawl spaces, or garages.

WARNING—

TO REDUCE THE RISK OF FIRE OR ELECTRIC SHOCK, DO NOT USE THIS FAN WITH ANY SOLID-STATE CONTROL DEVICE.

OPERATION

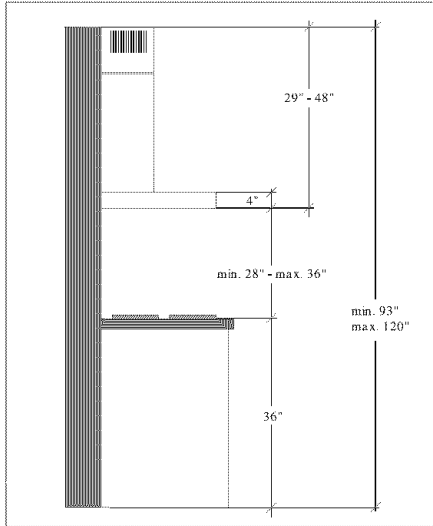
Always leave safety grills and filters in place. Without these components, operating blowers could catch onto hair, fingers and loose clothing.

***NOTE:** Please check www.zephyronline.com for revisions before doing any custom work.

NOTES

INSTALLATION

MOUNT HEIGHTS & CLEARANCE



Minimum mount height between range top to hood bottom should be no less than 28".

Maximum mount height should be no higher than 36".

It is important to install the hood at the proper mounting height. Hoods mounted too low could result in heat damage and fire hazard; while hoods mounted too high will be hard to reach and will lose its performance and efficiency.

If available, also refer range manufacturer's height clearance requirements and recommended hood mounting height above range.

*Minimum ceiling clearance 93" at 28" hood mounting height.

**Maximum ceiling clearance 120" at 36" hood mounting height.

DUCTING

A minimum of 6" round or 3-1/4 x 10" rectangular duct must be used to maintain maximum air flow efficiency.

Always use rigid type metal ducts only. Flexible ducts could restrict air flow by up to 50%.

Also use calculation (on right) to compute total available duct run when using elbows, transitions and caps.

ALWAYS, when possible, reduce the number or transitions and turns. If long duct run is required, increase duct size from 6" to 7 or 8". If a reducer is used, install a long reducer instead of a pancake reducer. Reduce duct size as far away from opening as possible.

If turns or transitions are required: Install as far away from opening and as far apart, between 2, as possible.

Minimum Duct Size:
 Round- 6" minimum
 Rectangular- 3-1/4 x 10" minimum (requires a 6" to 3-1/4 x 10" adapter not supplied)

Duct Run Calculation:

Maximum run

6" or 3-1/4 x 10" duct	100 FT
Deduct:	
each 90 Elbow used	15 FT
each 45 elbow used	9 FT
each 6" to 3/14 x 10" transition used	1 FT
each 3/14 x 10" to 6" transition used	5 FT
Side Wall Cap w/ damper	30 FT
Roof Cap	30 FT

e.g.- 1 roof cap, 2x90 elbows, 1 45 elbow used:
 =30' + 30' + 9' =69' used, 31' available for straight duct runs.

INSTALLATION

DUCTING

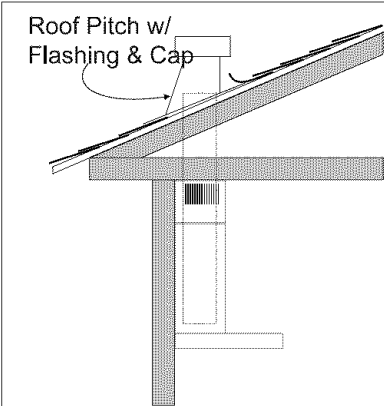
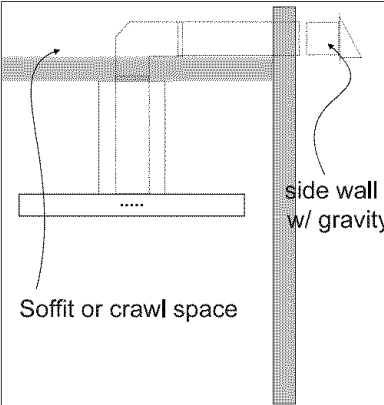
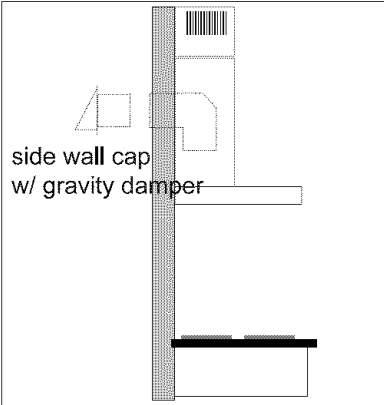
WARNING FIRE HAZARD

NEVER exhaust air or terminate duct work into spaces between walls, crawl spaces, ceilings, attics or garages. All exhaust must be ducted to the outside.

Use metal ductwork only.

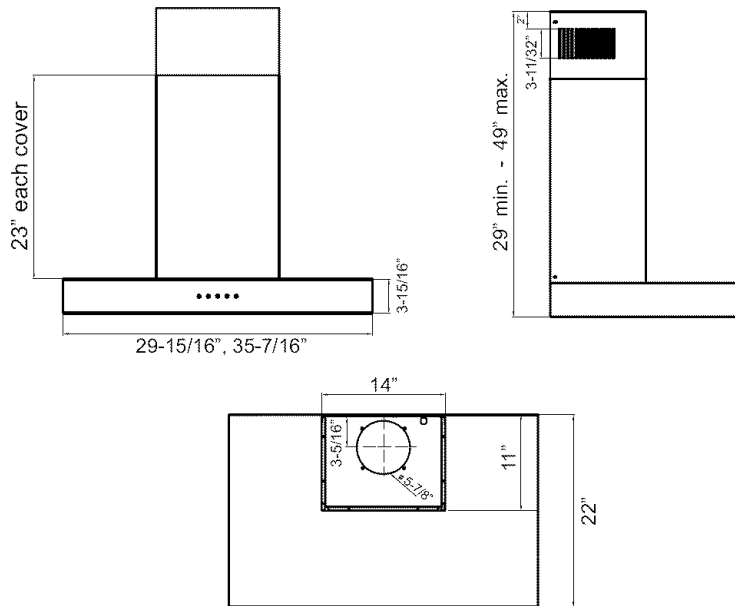
Fasten all connections with sheet metal screws and tape all joints with certified silver tape or duct tape.

Some Ducting Options:



INSTALLATION

SPECIFICATIONS



ELECTRICAL

WARNING

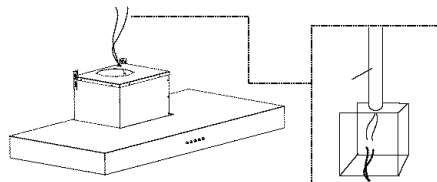
All electrical work must be performed by a qualified electrician or person with similar technical know how and background.

For personal safety, remove house fuse or open circuit breaker before beginning installation. Do not use extension cord or adapter plug with this appliance.

Follow national electrical codes or prevailing local codes and ordinances.

Electrical Supply:

This appliance requires a 120V 60Hz electrical supply and connected to an individual, properly grounded branch circuit, protected by a 15 or 20 ampere circuit breaker or time delay fuse. Wiring must be 2 wire with ground. Please also refer to electrical diagram labeled on product.

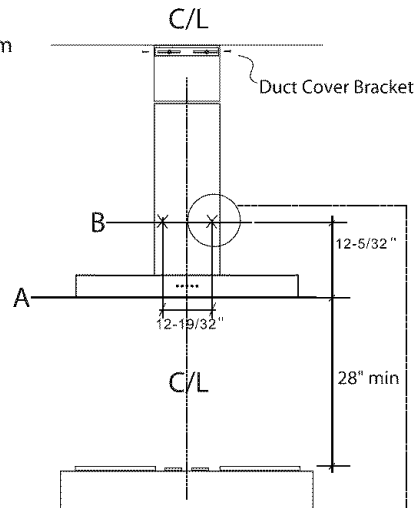


INSTALLATION

INSTALLATION

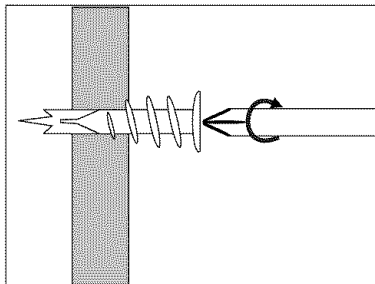
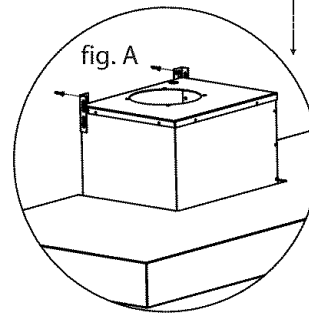
Mounting the Range Hood

1. Measure from range top to hood bottom (28" min) Level and mark line A.
2. Plum and mark center line.
3. Mark mounting height line B. (12-5/32" from line A)
4. Mark mounting spread from C/L (12-19/32")
5. Fasten screws to wall (see below) as marked (line B).
6. Hange hood onto screws and tighten (fig. A)



Mounting the Duct Cover

1. Center and attach duct cover mounting bracket on wall below ceiling or soffit.
2. Fasten telescopic duct covers onto hood and bracket.



Note: Whenever possible, the hood should be secured to wood studs ceiling and/or wall with minimum thickness 3/8".

INSTALLATION

DUCTLESS CONVERSION

Ductless conversion is intended for applications where an exhaust duct work is not possible to be installed. When converted, the hood functions as a recirculating hood rather than an exhaust hood. Fumes and exhaust from cooking are drawn and filtered by a set of optional carbon filters. The air is then purified and re-circulated back within the home.

We recommend to ALWAYS exhaust air outside of the home by employing existing or installing new duct work if possible. The hood is most effective and efficient as an exhaust unit. Only when the exhaust option is not possible should you recourse to converting the hood into a recirculating unit.

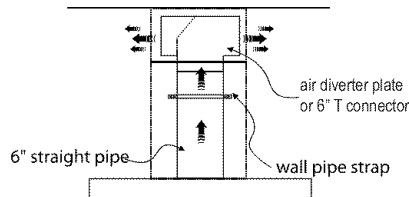
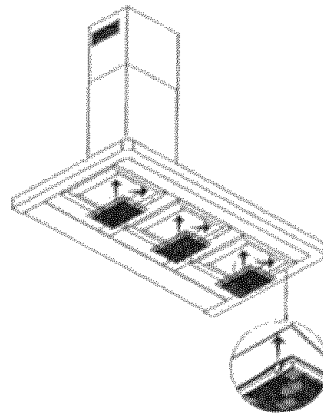
When converting to a recirculating unit, a set of carbon filters are required on top of the standard metal filter set. Order according to its part number below. The standard metal filters are intended to capture residue from cooking and the optional carbon filters help purify fumes exhausted from cooking for recirculating.

Charcoal Filters (required)

1. Purchase ductless recirculating kit as follows:
(kit includes 2 charcoal filters and air diverter plate.)

Hood Model:	Part No.	Filters Needed
ZRA-E30AS	ZRC-0050	2
ZRA-E36AS	ZRC-0050	2
ZRO-E30AS	ZRC-0050	2
ZRO-E36AS	ZRC-0050	2

2. Remove metal filters on hood. Clip charcoal filters onto each slot opening.
3. Re-install metal filters.
4. Charcoal filters must be replaced every 2 - 3 months based on the average of 1 - 2 hours of daily cooking time.

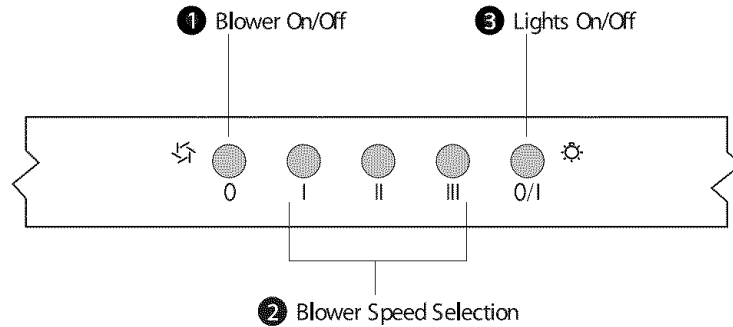


Ducting

1. Install a 6" straight pipe and terminate into air diverter plate or use a "T" connector to divert air through louvers on duct cover.

CONTROLS & FEATURES

CONTROLS & FEATURES



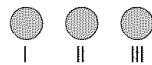
1 Blower On/Off

The blower will be switched on or off by pressing:



2 Blower Speed Selection

Select one of three speed levels by pressing:



3 Lights On/Off

Switch lights on and off by pressing:



MAINTENANCE

CLEANING

Surface Maintenance:

Clean periodically with hot soapy water and a clean cloth. Do not use corrosive or abrasive detergent, or steel wool/scouring pads which will scratch and damage the surface.

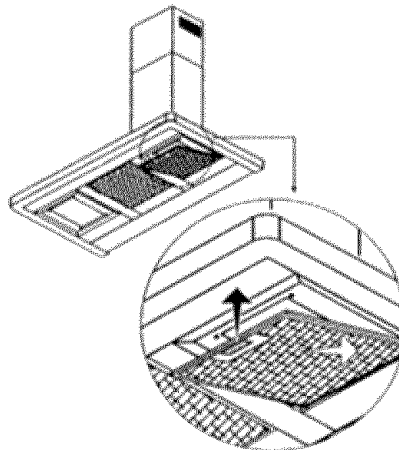
For heavier soil use a liquid degreaser.

After cleaning you may use non abrasive stainless steel polish/cleaners to polish and buff out the stainless luser and grain. Always scrub lightly with a clean cotton cloth and with the grain.

Metal Filters

The metal filters fitted by the factory are intended to filter our residue and grease from cooking. They need not be replaced on a regular basis but are required to be kept clean. Filters should be cleaned after every 30 hours of use.

Remove and clean by hand or in dishwasher on low heat. Leave to soak in a sink if heavily soiled. Dry filters and re-install before using hood.



MAINTENANCE

LIGHTS

Replacing Light Bulbs

CAUTION: Light bulb becomes extremely hot when turned on. **DO NOT** touch bulb until switched off and cooled. Touching hot bulbs could cause serious burns.

Make sure **all** power is turned off and bulbs are not hot.

Remove by turning bulb counter clockwise.

If bulbs are difficult to turn due to prolonged use, firmly attach a glass suction cup approx. the diameter of the bulb and turn.

Replacement bulbs are available at specialty lighting stores. Purchase type GU-10 50W halogen bulbs.

Or to order bulbs, please call our service center: 888-880-8368 or online parts store: www.zephyronline.com

