

Robert Bosch GmbH
Power Tools Division
70745 Leinfelden-Echterdingen
Germany

www.bosch-pt.com

F 016 L70 560 (2008.11) O / 291 WEU



Ciso

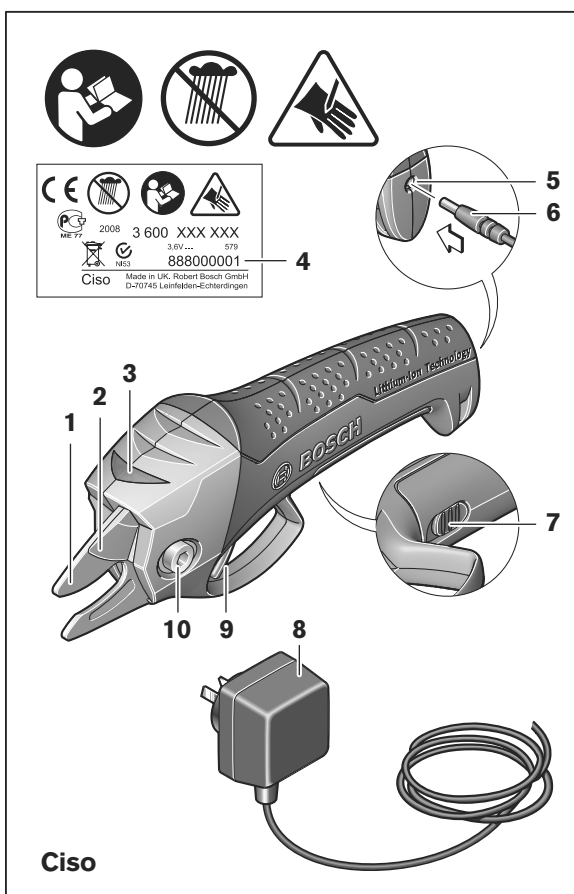


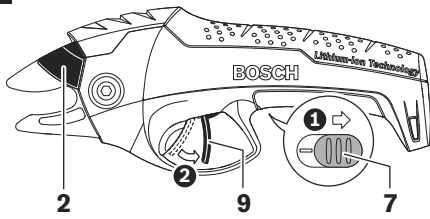
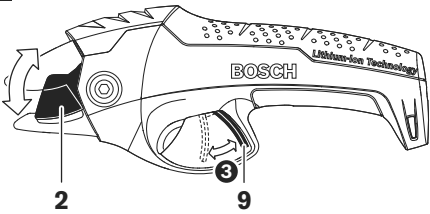
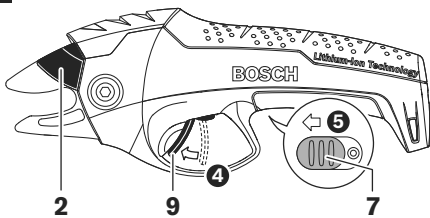
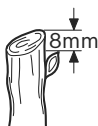
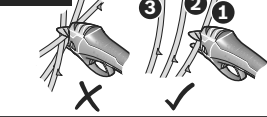
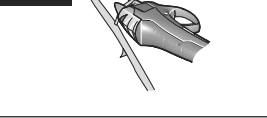
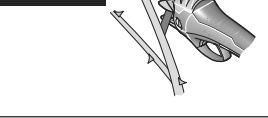
BOSCH

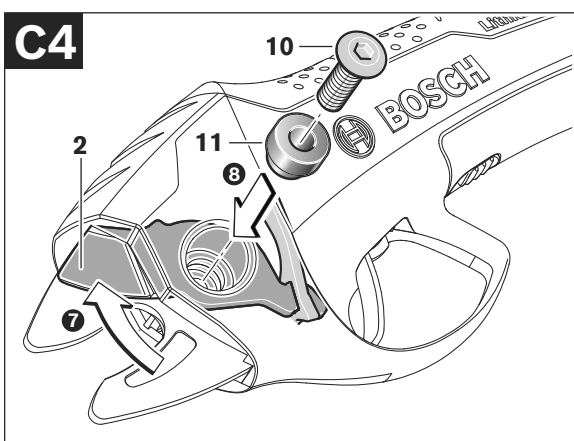
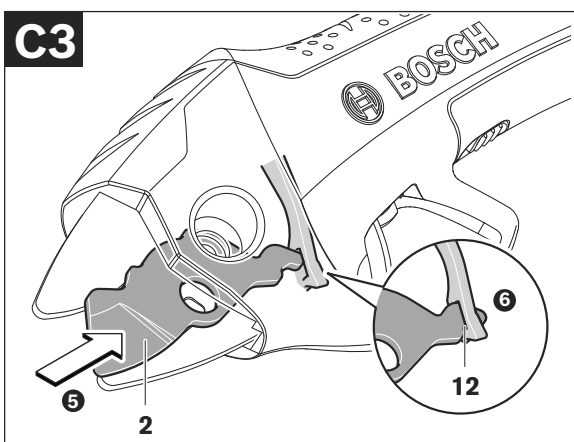
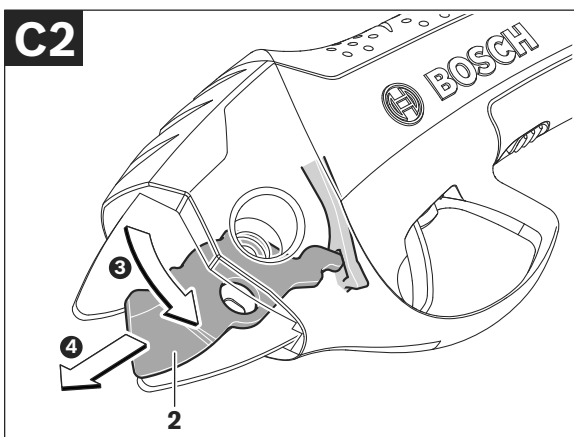
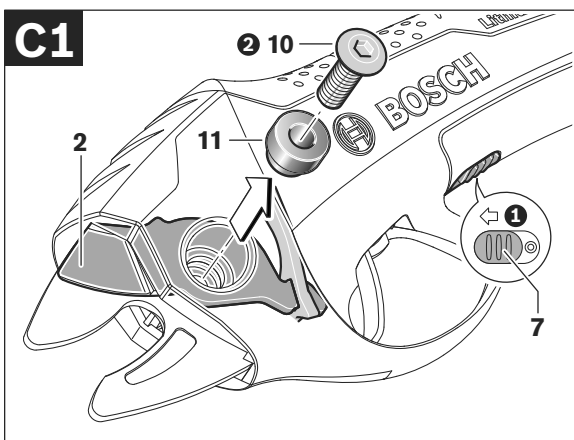
- de** Originalbetriebsanleitung
- en** Original instructions
- fr** Notice originale
- es** Manual original
- pt** Manual original
- it** Istruzioni originali
- nl** Oorspronkelijke gebruiksaanwijzing
- da** Original brugsanvisning
- sv** Bruksanvisning i original
- no** Original driftsinstruks
- fi** Alkuperäiset ohjeet
- el** Πρωτότυπο οδηγιών χρήσης
- tr** Orijinal işletme talimatı



Deutsch	Seite	6
English	Page	18
Français	Page	29
Español	Página	41
Português	Página	53
Italiano	Pagina	64
Nederlands	Pagina	76
Dansk	Side	87
Svenska	Sida	98
Norsk	Side	108
Suomi	Sivu	118
Ελληνικά	Σελίδα	128
Türkçe	Sayfa	140



A1**A2****A3****B1****B2****B3****B4****B5****B6****B7****B8****B9****B10**



Safety Notes

- ▶ **Improper use can cause serious injury. Please read all safety precautions and the user manual before use.**

General Power Tool Safety Warnings

⚠ WARNING **Read all safety warnings and all instructions.** Failure to follow the warnings and instructions may result in electric shock, fire and/or serious injury.

Save all warnings and instructions for future reference.

The term “power tool” in the warnings refers to your mains-operated (corded) power tool or battery-operated (cordless) power tool.

Explanation of symbols



Read all safety warnings and all instructions. Failure to follow the warnings and instructions may result in electric shock, fire and/or serious injury.



Danger – rotating blade. Keep hands and feet out of openings while the machine is running.



Do not use the machine in the rain or leave it outdoors when it is raining.

1) Work area safety

- Keep work area clean and well lit.** Cluttered or dark areas invite accidents.
- Do not operate power tools in explosive atmospheres, such as in the presence of flammable liquids, gases or dust.** Power tools create sparks which may ignite the dust or fumes.
- Keep children and bystanders away while operating a power tool.** Distractions can cause you to lose control.

2) Electrical safety

- Power tool plugs must match the outlet. Never modify the plug in any way. Do not use any adapter plugs with earthed (grounded) power tools.** Unmodified plugs and matching outlets will reduce risk of electric shock.
- Avoid body contact with earthed or grounded surfaces, such as pipes, radiators, ranges and refrigerators.** There is an increased risk of electric shock if your body is earthed or grounded.
- Do not expose power tools to rain or wet conditions.** Water entering a power tool will increase the risk of electric shock.
- Do not abuse the cord. Never use the cord for carrying, pulling or unplugging the power tool. Keep cord away from heat, oil, sharp edges and moving parts.** Damaged or entangled cords increase the risk of electric shock.
- When operating a power tool outdoors, use an extension cord suitable for outdoor use.** Use of a cord suitable for outdoor use reduces the risk of electric shock.
- If operating a power tool in a damp location is unavoidable, use a residual current device (RCD) protected supply.** Use of an RCD reduces the risk of electric shock.

3) Personal safety

- a) **Stay alert, watch what you are doing and use common sense when operating a power tool. Do not use a power tool while you are tired or under the influence of drugs, alcohol or medication.** A moment of inattention while operating power tools may result in serious personal injury.
- b) **Use personal protective equipment. Always wear eye protection.** Protective equipment such as dust mask, non-skid safety shoes, hard hat, or hearing protection used for appropriate conditions will reduce personal injuries.
- c) **Prevent unintentional starting. Ensure the switch is in the off-position before connecting to power source and/or battery pack, picking up or carrying the tool.** Carrying power tools with your finger on the switch or energising power tools that have the switch on invites accidents.
- d) **Remove any adjusting key or wrench before turning the power tool on.** A wrench or a key left attached to a rotating part of the power tool may result in personal injury.
- e) **Do not overreach. Keep proper footing and balance at all times.** This enables better control of the power tool in unexpected situations.
- f) **Dress properly. Do not wear loose clothing or jewellery. Keep your hair, clothing and gloves away from moving parts.** Loose clothes, jewellery or long hair can be caught in moving parts.

- g) **If devices are provided for the connection of dust extraction and collection facilities, ensure these are connected and properly used.** Use of dust collection can reduce dust-related hazards.

4) Power tool use and care

- a) **Do not force the power tool. Use the correct power tool for your application.** The correct power tool will do the job better and safer at the rate for which it was designed.
- b) **Do not use the power tool if the switch does not turn it on and off.** Any power tool that cannot be controlled with the switch is dangerous and must be repaired.
- c) **Disconnect the plug from the power source and/or the battery pack from the power tool before making any adjustments, changing accessories, or storing power tools.** Such preventive safety measures reduce the risk of starting the power tool accidentally.
- d) **Store idle power tools out of the reach of children and do not allow persons unfamiliar with the power tool or these instructions to operate the power tool.** Power tools are dangerous in the hands of untrained users.
- e) **Maintain power tools. Check for misalignment or binding of moving parts, breakage of parts and any other condition that may affect the power tool's operation. If damaged, have the power tool repaired before use.** Many accidents are caused by poorly maintained power tools.

- f) **Keep cutting tools sharp and clean.** Properly maintained cutting tools with sharp cutting edges are less likely to bind and are easier to control.
- g) **Use the power tool, accessories and tool bits etc. in accordance with these instructions, taking into account the working conditions and the work to be performed.** Use of the power tool for operations different from those intended could result in a hazardous situation.

5) Battery tool use and care

- a) **Recharge only with the charger specified by the manufacturer.** A charger that is suitable for one type of battery pack may create a risk of fire when used with another battery pack.
- b) **Use power tools only with specifically designated battery packs.** Use of any other battery packs may create a risk of injury and fire.
- c) **When battery pack is not in use, keep it away from other metal objects, like paper clips, coins, keys, nails, screws or other small metal objects, that can make a connection from one terminal to another.** Shorting the battery terminals together may cause burns or a fire.
- d) **Under abusive conditions, liquid may be ejected from the battery; avoid contact. If contact accidentally occurs, flush with water. If liquid contacts eyes, additionally seek medical help.** Liquid ejected from the battery may cause irritation or burns.

6) Service

- a) **Have your power tool serviced by a qualified repair person using only identical replacement parts.** This will ensure that the safety of the power tool is maintained.

Safety Warnings for Cordless Garden Pruners

- ▶ This appliance is not intended for use by persons (including children) with reduced physical, sensory or mental capabilities, or lack of experience and knowledge, unless they have been given supervision or instruction concerning use of the appliance by a person responsible for their safety.
Children should be supervised to ensure that they do not play with the appliance.
- ▶ Minors should never be allowed to operate the tool; it should never be left unattended and when not in use should be stored in a locked place out of the reach of children.
- ▶ Don't use the machine or perform battery charging operations in the rain.
- ▶ Don't leave the machine in rain or wet locations.
- ▶ Keep bystanders well away from your work area.
- ▶ **Be careful not to catch foreign matter between the blades.** If the blades are jammed with foreign matter, immediately switch off the machine. Then remove the foreign matter from the blades.
- ▶ Take care, avoid cutting electrical wires that may be hidden.

- ▶ **Keep your free hand away from the cutting area. Never touch the blades.** They are very sharp and you may cut yourself.
- ▶ Be vigilant when operating to ensure that the fingers on the hand used to hold or move twigs to be pruned are not exposed to the cutting blade.
- ▶ If the On/Off switch **9** is released quickly then the blade **2** will not return to the fully open position, but will stay in its current position. Pulling the On/Off switch **9** to position “2.” will return the blade **2** to the fully open position.
- ▶ **Don't force the machine to make it cut.** You could slip and injure yourself or cut something else unintentionally.
- ▶ Always check the blades carefully before operation.
- ▶ Handle the blades with extreme care to prevent cuts or injury from the blades.
- ▶ Operate the “safety lock” after each use and before attempting to perform inspection or maintenance.
- ▶ Always wear protective gloves when using, adjusting or cleaning the machine.
- ▶ Only use the machine for its intended use (see “Intended Use”).

Safety Warnings for battery chargers

- ▶ **Keep the battery charger away from rain or moisture.** Penetration of water in the battery charger increases the risk of an electric shock.
- ▶ **Do not charge other batteries.** The battery charger is suitable only for charging Bosch lithium ion batteries within the listed voltage range. Otherwise there is danger of fire and explosion.
- ▶ **Keep the battery charger clean.** Contamination can lead to danger of an electric shock.
- ▶ **Before each use, check the battery charger, cable and plug. If damage is detected, do not use the battery charger. Never open the battery charger yourself. Have repairs performed only by a qualified technician and only using original spare parts.** Damaged battery chargers, cables and plugs increase the risk of an electric shock.
- ▶ **Do not operate the battery charger on easily inflammable surfaces (e. g., paper, textiles, etc.) or surroundings.** The heating of the battery charger during the charging process can pose a fire hazard.

Functional Description



Read all safety warnings and all instructions. Failure to follow the warnings and instructions may result in electric shock, fire and/or serious injury.

Intended Use

This machine is intended for domestic use in pruning branches and plants with a thickness up to 9 mm (hardwood) and 14 mm (softwood).

Delivery Scope

Carefully remove the machine from its packaging and check if the following parts are complete:

- Ciso
- Battery Charger**
- Operating instructions

When parts are missing or damaged, please contact your dealer.

**** country specific**

Product Features

The numbering of the product features refers to the illustration of the machine on the graphics page.

- 1 Blade – fixed
- 2 Blade – moving
- 3 Battery charge-control indicator
- 4 Serial number
- 5 Socket for charge plug
- 6 Plug connector for charger
- 7 Safety lock
- 8 Battery charger
- 9 On/Off switch
- 10 Blade screw
- 11 Spacer

Accessories shown or described are not part of the standard delivery scope of the product. A complete overview of accessories can be found in our accessories program.

Technical Data

Cordless Garden Pruner		Ciso
Article number		3 600 H55 ...
Rated voltage	V	3.6
Number of battery cells		1
Cutting capacity	mm	9 (Hardwood)
	mm	14 (Softwood)
Charging time	h	5
Weight according to EPTA-Procedure 01/2003	kg	0.6
Battery Charger		
Article number		2 607 225 ...
Charging current	mA	250
Allowable charging temperature range	°C	0–45

The values given are valid for nominal voltages [U] of 230/240 V. For lower voltage and models for specific countries, these values can vary.

Noise/Vibration Information

Measured values determined according to EN 60745 (no-load).

Typically the A-weighted sound pressure level of the product is 67.2 dB(A).

The hand-arm acceleration is typically below 2.5 m/s².

Declaration of Conformity

We declare under our sole responsibility that the product described under "Technical data" is in conformity with the following standards or standardization documents: EN 60745 (battery powered product) and EN 60335 (battery charger) according to the provisions of the directives 2006/95/EC, 2004/108/EC, 98/37/EC (until 28 Dec 2009), 2006/42/EC (from 29 Dec 2009).



Technical file at:

Bosch Lawn and Garden Ltd., PT-LG/EAE,
Stowmarket, Suffolk IP14 1EY, England

 2009

Leinfelden, 05.01.2009

Dr. Egbert Schneider	Dr. Eckerhard Strötgen
Senior Vice President	Head of Product
Engineering	Certification

Made in UK 2009,
Robert Bosch GmbH, Power Tools Division
D-70745 Leinfelden-Echterdingen

Assembly

For Your Safety


- ▶ **Warning! Switch off and engage the safety lock 7 before adjusting or cleaning.**

Battery Charging (see main figure)

- ▶ **Do not use other battery chargers.** The supplied battery charger is designed for the Lithium-Ion battery in your machine.

Observe correct mains voltage: The voltage of the power source must agree with the voltage specified on the nameplate of the unit. Equipment marked with 230 V can also be connected to 220 V or 240 V.

The Electronic Cell Protection (ECP) protects the lithium ion battery against deep discharging. When the battery is run down or discharged, the machine is shut off by means of a protective circuit: The blade no longer moves.

 **WARNING** **Do not continue to press the On/Off switch after the machine has been automatically switched off.** The battery can be damaged.

Plug the mains plug of the battery charger into a socket outlet and the charger plug **6** into the socket **5** on the rear side of the handle.

The battery charge indicator **3** lights up **green** to indicate the charging procedure. The battery is fully charged as soon as the battery charge indicator **3** is no longer lit.

- During the charging procedure, the handle of the machine warms up. This is normal.
- Disconnect the battery charger from the mains supply when not using it for longer periods.
- The power tool cannot be used during the charge procedure; it is not defective when inoperative during the charging procedure.

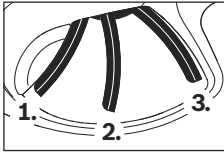
- ▶ **Protect the battery charger against moisture!**

Operation

Initial Operation

Switching On (see figures A1 – A2)

❶ Dis-engage the safety lock **7** by moving the button as shown.



❷ Fully insert finger and pull the On/Off switch **9** back from position „1.“ to position „2.“ (working position) and hold.

❸ To close the blade **2** pull the On/Off switch **9** back to position „3.“. To open the blade **2** return On/Off switch **9** to position „2.“.

Switching Off (see figure A3)

❹ Release the On/Off switch **9** and allow it to return to position „1.“. The blade **2** will then return to the fully open position.

❺ Engage the safety lock **7** by moving the button as shown.

Note: If the On/Off switch **9** is released quickly then the blade **2** will not return to the fully open position, but will stay in its current position. Pulling the On/Off switch **9** to position „2.“ will return the blade **2** to the fully open position.

Working Advice

Pruning Tips (see figures B1 – B10)

- ▶ **Never operate the machine in an awkward posture.** This may cause serious injury.
- ▶ **Keep your free hand away from the cutting area. Never touch the blades.** They are very sharp and you may cut yourself.

- B1** Always wear protective gloves while pruning.
- B2** Never cut too close to the stem so the wound can heal properly.
- B3** Always make the cut about 8 mm from the bud.
- B4** The cut should slope away from the bud so the rain can run off.
- B5** If you remove an entire stem, cut back to the point where it branched.
- B6** Never push the blade of the pruner into the ground to cut suckers.
- B7** Cut branches one by one as shown.
- B8** Remove overcrowds or crossing stems.
- B9** Remove thin or weak growth.
- B10** Always remove dead, damaged and diseased branches.

Pruning Seasons

Softwood

(cutting up to 14 mm)

Character of wood	Period
Laurel	January, February, March, April
Magnolia	January, February, March, April

Medium wood

(cutting up to 12 mm)

Character of wood	Period
Apple	January
Deutzia	June, July
Forsythia	April, May, December
Philadelphus	June, July
Roses	September, October, November
Weigela	June, July

Hardwood

(cutting up to 9 mm)

Character of wood	Period
Holm oak	January, February, December
Hornbeam	January, February, December

Maintenance and Service

Maintenance and Cleaning



Warning! Switch off and engage the safety lock 7.

For safe and proper working, always keep the machine clean.

Always wear protective gloves when using, adjusting or cleaning the machine.

Regularly check for obvious defects such as loose fixings, and worn or damaged components.

If the machine should happen to fail despite the care taken in manufacture and testing, repair should be carried out by an authorised customer service agent for Bosch garden products.

In all correspondence and spare parts orders, please always include the 10-digit article number given on the type plate of the machine.

Changing the Blade (see figures C1 - C4)



Warning! Switch off and engage the safety lock 7.

Always wear protective gloves when using, adjusting or cleaning the machine.

Never attempt to operate the machine without the blade, spacer or screw correctly secured to prevent damage to the machine.

Ensure blade is in the fully open position and safety lock 7 is engaged.

- ❶ Engage the safety lock **7** by moving the button as shown.
- ❷ Using a 5 mm hex wrench socket key (not provided) to remove the blade screw **10** which secures the blade.
Remove spacer **11**.
- ❸ ❹ Remove the blade **2** as shown. **Be careful not to allow any foreign matter to become attached to the blade gear and do not damage it.**
- ❺ ❻ Insert blade **2** as shown. Ensure that the blade **2** has located in the transmission link **12**.
- ❼ Rotate the blade **2** to the fully open position. Check the blade **2** location by gently pulling. If the blade **2** is correctly located then blade cannot be removed.
 - ▶ **Incorrect location of the blade will damage the machine.**
- ❽ Refit spacer **11**. Ensure spacer **11** is located through fixed blade and moving blade.
Refit the blade screw **10** and tighten it by using a 5 mm hex wrench socket key (not provided). Do not overtighten.
 - ▶ Ensure replacement parts fitted are Bosch approved.

After Pruning/Storage

- ▶ **Warning! Switch off and engage the safety lock 7.**
- ▶ **Always wear protective gloves when using, adjusting or cleaning the machine.**

Clean the exterior of the machine thoroughly using a soft brush and cloth. Do not use water, solvents or polishes. Remove all debris.

Always lubricate the cutting blade with protective spray before storage.

Store the machine in a secure, dry place out of the reach of children with the safety lock **7** engaged. Do not place other objects on top of the machine.

After-sales Service and Customer Assistance

Our after-sales service responds to your questions concerning maintenance and repair of your product as well as spare parts. Exploded views and information on spare parts can also be found under:

www.bosch-pt.com

Our customer consultants answer your questions concerning best buy, application and adjustment of products and accessories.

Great Britain

Robert Bosch Ltd. (B.S.C.)
 P.O. Box 98
 Broadwater Park
 North Orbital Road
 Denham
 Uxbridge
 UB 9 5HJ
 Tel. Service: +44 (0844) 736 0109
 Fax: +44 (0844) 736 0146
 E-Mail: SPT-Technical.de@de.bosch.com

Ireland

Origo Ltd.
 Unit 23 Magna Drive
 Magna Business Park
 City West
 Dublin 24
 Tel. Service: +353 (01) 4 66 67 00
 Fax: +353 (01) 4 66 68 88

Australia, New Zealand and Pacific Islands

Robert Bosch Australia Pty. Ltd.
 Power Tools
 Locked Bag 66
 Clayton South VIC 3169
 Customer Contact Center
 Inside Australia:
 Phone: +61 (01300) 307 044
 Fax: +61 (01300) 307 045
 Inside New Zealand:
 Phone: +64 (0800) 543 353
 Fax: +64 (0800) 428 570
 Outside AU and NZ:
 Phone: +61 (03) 9541 5555
www.bosch.com.au

Transport

The battery is tested according to UN document ST/SG/AC.10/11/Rev.3 Part III, subsection 38.3. It has effective protection against internal overpressure and short circuiting as well as devices for the prevention of violent rupture and dangerous reverse current flow.

The lithium-equivalent content in the battery is below applicable limit values. Therefore, the battery is not subject

to national or international regulations pertaining to dangerous mediums, neither as an individual component nor when inserted into a machine. However, the regulations governing dangerous goods may be relevant when transporting several batteries. In this case, it can be necessary to comply with special conditions (e.g., concerning the packaging). For more information, please refer to the instruction sheet (in English) under the following Internet address: <http://purchasing.bosch.com/en/start/Allgemeines/Download/index.htm>.

Disposal

The machine, accessories and packaging should be sorted for environmental-friendly recycling.

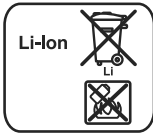
Only for EC countries:



Do not dispose of power tools into household waste!

According to the European Guideline 2002/96/EC for Waste Electrical and Electronic Equipment and its implementation into national right, power tools that are no

longer usable must be collected separately and disposed of in an environmentally correct manner.

Battery packs/batteries:**Li-ion:**

Please observe the instructions in section "Transport", page 50.

Do not dispose of battery packs/batteries into household waste, fire or water. Battery packs/batteries should be collected, recycled or disposed of in an environmental-friendly manner.

Only for EC countries:

Defective or dead out battery packs/batteries must be recycled according the guideline 91/157/EEC.

Batteries no longer suitable for use can be directly returned at:

Great Britain

Robert Bosch Ltd. (B.S.C.)
 P.O. Box 98
 Broadwater Park
 North Orbital Road
 Denham
 Uxbridge
 UB 9 5HJ
 Tel. Service: +44 (0844) 736 0109
 Fax: +44 (0844) 736 0146
 E-Mail: SPT-Technical.de@de.bosch.com

Subject to change without notice.