

**ASTRO<sup>®</sup>**  
Spectra<sup>®</sup> /Spectra Plus  
Consolette

Instruction Manual



**MOTOROLA**  
*intelligence everywhere™*







**ASTRO<sup>®</sup> Spectra<sup>®</sup>/Spectra Plus**  
**Consolette**  
**Instruction Manual**

---

# Foreword

The information contained in this manual relates to all ASTRO™ Spectra®/Spectra Plus Consolettes, unless otherwise specified. This manual provides sufficient information to enable service shop personnel to troubleshoot and repair an ASTRO Spectra/Spectra Plus Consolette to the component level.

## Safety Information

Before operating an ASTRO Spectra/Spectra Plus Consolette, please read the “Consolette Installation Guidelines” on page ix in the front of this manual.

## Manual Revisions

Changes which occur after this manual is printed are described in FMRs (Florida Manual Revisions). These FMRs provide complete replacement pages for all added, changed, and deleted items. To obtain FMRs, contact the Radio Products Services Division (see “Appendix B - Replacement Parts Ordering”).

## Computer Software Copyrights

The Motorola products described in this manual may include copyrighted Motorola computer programs stored in semiconductor memories or other media. Laws in the United States and other countries preserve for Motorola certain exclusive rights for copyrighted computer programs, including, but not limited to, the exclusive right to copy or reproduce in any form the copyrighted computer program. Accordingly, any copyrighted Motorola computer programs contained in the Motorola products described in this manual may not be copied, reproduced, modified, reverse-engineered, or distributed in any manner without the express written permission of Motorola. Furthermore, the purchase of Motorola products shall not be deemed to grant either directly or by implication, estoppel, or otherwise, any license under the copyrights, patents or patent applications of Motorola, except for the normal non-exclusive license to use that arises by operation of law in the sale of a product.

## Document Copyrights

No duplication or distribution of this document or any portion thereof shall take place without the express written permission of Motorola. No part of this manual may be reproduced, distributed, or transmitted in any form or by any means, electronic or mechanical, for any purpose without the express written permission of Motorola.

## Disclaimer

The information in this document is carefully examined, and is believed to be entirely reliable. However, no responsibility is assumed for inaccuracies. Furthermore, Motorola reserves the right to make changes to any products herein to improve readability, function, or design. Motorola does not assume any liability arising out of the applications or use of any product or circuit described herein; nor does it cover any license under its patent rights nor the rights of others.

## Trademarks

MOTOROLA, the Stylized M logo, ASTRO, and Spectra are registered in the US Patent & Trademark Office. All other product or service names are the property of their respective owners.

© Motorola, Inc. 2003

# Table of Contents

|   |          |
|---|----------|
| Foreword .....  | ii       |
| Safety Information .....  | ii       |
| Manual Revisions .....  | ii       |
| Computer Software Copyrights .....                                | ii       |
| Document Copyrights .....   | ii       |
| Disclaimer .....  | ii       |
| Trademarks .....  | ii       |
| List of Figures .....   | vi       |
| List of Tables .....  | vii      |
| Consolette Installation Guidelines .....                          | ix       |
| RF Operational Characteristics .....                              | ix       |
| Product Safety and RF Exposure Compliance .....                   | ix       |
| Operational Cautions .....  | ix       |
| Lightning and Surge Suppression .....                             | ix       |
| Safe Handling of CMOS Integrated-Circuit Devices .....            | xi       |
| ASTRO Spectra Consolette Model Chart .....                        | xiii     |
| ASTRO Spectra Plus Consolette Model Chart .....                   | xv       |
| Specifications for ASTRO Spectra/Spectra Plus VHF Models .....    | xvi      |
| Specifications for ASTRO Spectra/Spectra Plus UHF Models .....    | xvii     |
| Specifications for ASTRO Spectra/Spectra Plus 800MHz Models ..... | xviii    |
| ASTRO Spectra Consolette Options .....                            | xix      |
| <b>1 - Introduction .....</b>                                     | <b>1</b> |
| General .....   | 1        |
| Options .....   | 2        |
| Hardware Options .....  | 2        |
| Software Options .....  | 2        |
| Encryption Options .....  | 3        |
| <b>2 - Installation .....</b>                                     | <b>5</b> |
| Planning the Installation .....                                   | 5        |
| Ventilation .....   | 5        |
| Station Mounting Procedures .....                                 | 5        |
| Desktop Installation .....  | 5        |
| Wall Mounting .....   | 5        |
| Antenna Connections .....   | 6        |
| Power and Ground Connection .....                                 | 7        |
| General .....   | 7        |
| AC Power Input .....  | 7        |
| DC Input Power (Optional) .....                                   | 8        |
| DIP Switch and Jumper Settings .....                              | 8        |
| Audio Interface Board Settings .....                              | 9        |
| Tone Remote Control Board Settings .....                          | 10       |
| Clock/VU Meter Setup (Optional) .....                             | 12       |
| General .....   | 12       |
| Operation .....   | 12       |
| Time Setting .....  | 12       |
| Month and Day Setting .....                                       | 13       |
| Year Setting .....  | 13       |

|  |           |
|--|-----------|
| Accessory Connector 2 . . . . .  | 13        |
| Accessory Connector 3 . . . . .  | 15        |
| Remote Control Installation . . . . .                                      | 16        |
| Digital Remote Control Installation . . . . .                              | 16        |
| Tone Remote Control Installation . . . . .                                 | 17        |
| <b>3 - Theory of Operation . . . . .</b>                                   | <b>19</b> |
| Introduction . . . . .   | 19        |
| General . . . . .  | 19        |
| Audio Interface Board . . . . .  | 21        |
| General Description . . . . .  | 21        |
| Detailed Description . . . . .   | 21        |
| Tone Remote Control Board . . . . .  | 23        |
| General Description . . . . .  | 23        |
| Detailed Description . . . . .   | 25        |
| Power-Up . . . . .   | 32        |
| Receive . . . . .  | 32        |
| Transmit . . . . .   | 32        |
| Power-Up Self-Check Errors . . . . .                                       | 32        |
| <b>4 - Maintenance . . . . .</b>   | <b>35</b> |
| Alignment . . . . .  | 35        |
| Programming . . . . .  | 35        |
| Codeplug Programming . . . . .   | 35        |
| FLASHport Programming . . . . .  | 35        |
| Maintenance and Troubleshooting Procedures . . . . .                       | 37        |
| Recommended Test Equipment and Service Aids . . . . .                      | 37        |
| Electrical . . . . .   | 37        |
| Mechanical . . . . .   | 37        |
| Disassembly and Reassembly . . . . .                                       | 38        |
| Top Cover . . . . .  | 38        |
| ASTRO Transceiver . . . . .  | 39        |
| AIB/TRC Interface Board . . . . .  | 40        |
| Power Supply . . . . .   | 42        |
| Fan . . . . .  | 43        |
| Control Head (W7 Models Only) . . . . .                                    | 43        |
| <b>5 - Cable Diagrams . . . . .</b>  | <b>45</b> |
| Standard Cables . . . . .  | 45        |
| Optional Cables . . . . .  | 49        |
| <b>6 - Diagrams and Parts Lists . . . . .</b>                              | <b>51</b> |
| List of Troubleshooting Charts . . . . .                                   | 51        |
| List of Schematics, Boards, and Parts Lists . . . . .                      | 51        |
| Troubleshooting Charts . . . . .   | 53        |
| Console Does Not Work Troubleshooting Chart . . . . .                      | 53        |
| Power Problem Troubleshooting Chart . . . . .                              | 54        |
| TRC Local TX Troubleshooting Chart . . . . .                               | 55        |
| TRC RX Audio Troubleshooting Chart . . . . .                               | 56        |
| Trunking Tones Not Heard at Remote Console Troubleshooting Chart . . . . . | 57        |
| TRC Board DC Voltage Troubleshooting Chart . . . . .                       | 58        |
| TRC TX Audio Troubleshooting Chart . . . . .                               | 58        |
| AIB TX Audio Troubleshooting Chart . . . . .                               | 59        |
| AIB RX Audio Troubleshooting Chart . . . . .                               | 60        |
| AIB DC Power Troubleshooting Chart . . . . .                               | 61        |
| Schematics, Boards, and Parts Lists . . . . .                              | 63        |
| ASTRO Spectra Console Exploded View . . . . .                              | 63        |

|  |           |
|--|-----------|
| TRN 7393B Control Head Interface Board Schematic . . . . .                                   | 64        |
| TRN7393B Component Location Diagram - Side 1 . . . . .                                       | 64        |
| TRN7393B Component Location Diagram - Side 2 . . . . .                                       | 64        |
| ASTRO Spectra Console Exploded View Parts List . . . . .                                     | 65        |
| TRN7393B Control Head Interface Board Parts List. . . . .                                    | 65        |
| Tone Remote Control Board Block Diagram. . . . .   | 66        |
| Audio Interface Board Block Diagram. . . . .   | 67        |
| TRN7391C Audio Interface Board Schematic Diagram (Sheet 1 of 2) . . . . .                    | 68        |
| TRN7391C Audio Interface Board Schematic Diagram (Sheet 2 of 2) . . . . .                    | 69        |
| TRN7391C Audio Interface Board . . . . .   | 70        |
| TRN7391C Audio Interface Board Parts List . . . . .  | 71        |
| PLN1360C Tone Remote Control Board Component Location Diagram (viewed from side 1) . . . . . | 73        |
| PLN1360C Tone Remote Control Board Schematic Diagram (Sheet 1 of 6) . . . . .                | 74        |
| PLN1360C Tone Remote Control Board Schematic Diagram (Sheet 2 of 6) . . . . .                | 75        |
| PLN1360C Tone Remote Control Board Schematic Diagram (Sheet 3 of 6) . . . . .                | 76        |
| PLN1360C Tone Remote Control Board Schematic Diagram (Sheet 4 of 6) . . . . .                | 77        |
| PLN1360C Tone Remote Control Board Schematic Diagram (Sheet 5 of 6) . . . . .                | 78        |
| PLN1360C Tone Remote Control Board Schematic Diagram (Sheet 6 of 6) . . . . .                | 79        |
| PLN1360C Tone Remote Control Board Electrical Parts List. . . . .                            | 80        |
| <br>   |           |
| <b>A - Appendix A - Cross Patch Configuration . . . . .</b>                                  | <b>85</b> |
| General Description . . . . .  | 85        |
| Detailed Description . . . . .   | 85        |
| Level Settings . . . . .   | 86        |
| Radio-Wide Changes Using CPS . . . . .   | 86        |
| Audio Degradation Issues. . . . .  | 87        |
| <br>   |           |
| <b>B - Appendix B - Replacement Parts Ordering . . . . .</b>                                 | <b>89</b> |
| Basic Ordering Information . . . . .   | 89        |
| Transceiver Board and VOCON Board Ordering Information. . . . .                              | 89        |
| Motorola Online. . . . .   | 89        |
| Mail Orders . . . . .  | 89        |
| Telephone Orders . . . . .   | 90        |
| Fax Orders . . . . .   | 90        |
| Parts Identification. . . . .  | 90        |
| Product Customer Service . . . . .   | 90        |

---

# List of Figures

Figure 1. Wall Mounting ..... 6

Figure 2. Rear Panel ..... 6

Figure 3. Power Supply VAC-Select Switch ..... 7

Figure 4. Accessory 2 and 3 Mating Connector ..... 16

Figure 5. Console Block Diagram ..... 19

Figure 6. Console Front Panel - Model W7 ..... 20

Figure 7. Console Front Panel - Model W9 ..... 20

Figure 8. Remote Key-Up ..... 24

Figure 9. TRC to ACIM Cable Diagram ..... 30

Figure 10. TRC to ACIM Cable Orientation (not provided by Motorola) ..... 31

Figure 11. ASTRO Spectra Programming Hardware Configuration ..... 36

Figure 12. ASTRO Spectra Plus Programming Hardware Configuration ..... 36

Figure 13. Removing the Top Cover ..... 38

Figure 14. Removing the Transceiver ..... 39

Figure 15. Removing the AIB/TRC Board ..... 41

Figure 16. Removing the Power Supply ..... 42



---

## List of Tables

|           |  |    |
|-----------|--|----|
| Table 1.  | Audio Interface Board DIP Switch Settings                    | 9  |
| Table 2.  | Audio Interface Board Jumper Settings                        | 9  |
| Table 3.  | Tone Remote Control Board DIP Switch Settings (S100)         | 10 |
| Table 4.  | Tone Remote Control Board DIP Switch Settings (S101)         | 10 |
| Table 5.  | Tone Remote Control Board Jumper Settings                    | 11 |
| Table 6.  | Tone Remote Control Board Plug Settings                      | 11 |
| Table 7.  | Tone Table Selection   | 12 |
| Table 8.  | Accessory Connector 2 - Pin Descriptions                     | 14 |
| Table 9.  | Accessory Connector 3 - Pin Descriptions                     | 15 |
| Table 10. | Accessory Connector 2 Pins: Digital Remote Control Operation | 16 |
| Table 11. | Accessory Connector 2 Pins: Tone Remote Control Operation    | 17 |
| Table 12. | TRC Function Tone Descriptions                               | 24 |
| Table 13. | Accessory Connector 1 (J13)                                  | 30 |
| Table 14. | Supported IDs  | 31 |
| Table 15. | ASTRO Spectra Console Power-Up Self-Check Error Codes        | 33 |
| Table 16. | ASTRO Spectra Plus Console Power-Up Self-Check Error Codes   | 34 |
| Table 17. | Field Programming items                                      | 36 |
| Table 18. | Power LED Cable Part #3084459T01 (P/O TKN8676)               | 45 |
| Table 19. | RF Coaxial Cable Part #0112004E09 (P/O TKN8676)              | 45 |
| Table 20. | Speaker Cable Part #3084457T01 (P/O TRN7394)                 | 45 |
| Table 21. | Control Head Cable   | 46 |
| Table 22. | Radio Cable  | 47 |
| Table 23. | Accessory Cable  | 48 |
| Table 24. | Clock/VU Cable   | 49 |

---

## Notes

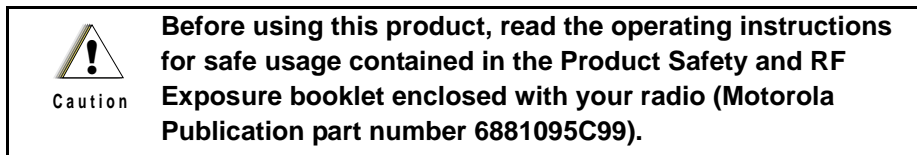
---

# Console Installation Guidelines

## RF Operational Characteristics

Your ASTRO® Spectra® Console and ASTRO Spectra Plus Console contain a digital mobile wireless two-way radio. When the Console is ON, it receives and transmits radio frequency (RF) energy.

## Product Safety and RF Exposure Compliance



## Operational Cautions

- Because of danger of introducing additional hazards, do not install substitute parts or perform any unauthorized modifications of equipment.
- DO NOT operate the transmitter of any Console unless all RF connectors are secure and all connectors are properly terminated.
- All equipment must be properly grounded in accordance with *Motorola Standards and Guideline for Communications Sites "R56" 68P81089E50* and specified installation instructions for safe operation.
- Slots and openings in the Console housing are provided for ventilation. To ensure reliable operation of the product and to protect it from overheating, these slots and openings must not be blocked or covered.
- Only an authorized technician familiar with the Console should service equipment.

## Lightning and Surge Suppression

### General

The installation of Transient Voltage Surge Suppression (TVSS) devices is a requirement for all communication sites and is essential for all facilities where communication-related electronics and electrical equipment are in use. Surges and transient power anomalies are potentially destructive electrical disturbances, the most damaging being over-voltage occurrences and short duration over-voltage events. Sometimes referred to as "spikes," high-energy transient power anomalies can arise from inductive load switching of other events within the power system or capacitive and inductive coupling from environmental events, such as nearby lightning activity. Environmental and inductive power anomalies are wideband occurrences with a frequency range from close to DC to well into the RF high frequency spectrum. It is critical that each point-of-entry (AC, telephone, LAN, signal/control, and RF) into the equipment area be protected against these anomalies. This protection is essential to reduce the risk of personal injury, physical equipment damage, and loss of operations (equipment downtime).

### Recommendations

To protect your equipment from lightning and surge damage, do the following:

- Install these TVSS devices as described in Chapter 9, "Transient Voltage Surge Suppression," of the *Motorola Standards and Guideline for Communications Sites "R56" 68P81089E50* manual.
- Ground all RF transmission lines from the antenna structure to the shelter or building as described in Chapter 6, "External Grounding," of the *Motorola Standards and Guideline for Communications Sites "R56" 68P81089E50* manual. Upon entering the building, all RF transmission lines shall route through a coaxial RF-type TVSS (or Surge Protection Device).

## Recommended Protectors

TVSS devices are available through Motorola's Radio Products Services Division. Installation instructions are generally included with each device. The following listing includes phone line suppressors, AC line surge protectors, coaxial cable in-line lightning arrestors, and coaxial cable ground clamp kits.

### Phone Line Suppressors

- RRX4021 - Single Line Suppressor, 3-electrode gas tube protector
- TRN4589 - Dual Line Suppressor, 3-electrode gas tube protector
- RRX4021 - Single Line Suppressor, 3-electrode gas tube protector

### AC Line Surge Protectors

- RRX4034 - AC Line Surge Protector, 117VAC line, 7/8" x 14 conduit hole mounting

### Coaxial Cable In-Line Lightning Arrestors

- RLN4711 - UHF-Type Connector
- RRX4025 - N-Type Connector
- RRX4032 - Tower Mount Kit

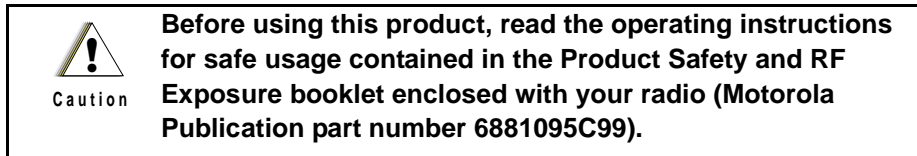
### Coaxial Cable Ground Clamp Kits

- RDN5826 - 1/4" or 3/8" Cable Ground Clamp Kit
- RDN5514 - 1/2" Cable Ground Clamp Kit
- RDN5517 - 5/8" to 7/8" Cable Ground Clamp Kit

## Safe Handling of CMOS Integrated-Circuit Devices

### Introduction

This section will aid you in troubleshooting a malfunctioning Consolette. It is intended to be detailed enough to localize the malfunctioning circuit and isolate the defective component.



### Handling Precautions

Complementary metal-oxide semiconductor (CMOS) devices and other high-technology devices are used in the Consolette. While the attributes of these devices are many, their characteristics make them susceptible to damage by electrostatic discharge (ESD) or high-voltage charges.

Damage can be latent, resulting in failures occurring weeks or months later. Therefore, special precautions must be taken to prevent device damage during disassembly, troubleshooting, and repair. Handling precautions are mandatory for this radio and are especially important in low humidity conditions. DO NOT attempt to disassemble the radio without observing the following handling precautions.

1. Eliminate static generators (plastics, Styrofoam, etc.) in the work area.
2. Remove nylon or double-knit polyester jackets, roll up long sleeves, and remove or tie back loose hanging neckties.
3. Store and transport all static-sensitive devices in ESD-protective containers.
4. Disconnect all power from the unit before ESD-sensitive components are removed or inserted unless otherwise noted.
5. Use a static-safeguarded workstation, which can be accomplished through the use of an antistatic kit (Motorola part number 01-80386A82). This kit includes a wrist strap, two ground cords, a static-control table mat and a static-control floor mat.
6. Always wear a conductive wrist strap when servicing this equipment. The Motorola part number for a replacement wrist strap that connects to the table mat is 42-80385A59.

### Parts Replacement and Substitution

Special care should be taken to ensure that a suspected component is actually the one at fault. This special care will eliminate unnecessary unsoldering and removal of parts, which could damage or weaken other components or the printed circuit board (PCB) itself.

When damaged parts are replaced, identical parts should be used. If the identical replacement component is not locally available, check the parts list for the proper Motorola part number and order the component from the Radio Products Services Division.

## Notes

# ASTRO Spectra Console Model Chart

| MODEL OR OPTION NUMBER |   |   |   |   |   |   |   |   |   |   |   |   | DESCRIPTION  |             |   |          |                                  |                                     |
|------------------------|---|---|---|---|---|---|---|---|---|---|---|---|--|-------------|---|----------|----------------------------------|-------------------------------------|
| L04JKH9PW9_            |   |   |   |   |   |   |   |   |   |   |   |   | 20-25W 136-162MHZ W/Digital Rem Controller         |             |   |          |                                  |                                     |
| L04KKH9PW9_            |   |   |   |   |   |   |   |   |   |   |   |   | 20-25W 146-174MHZ W/Digital Rem Controller         |             |   |          |                                  |                                     |
| L04QKH9PW9_            |   |   |   |   |   |   |   |   |   |   |   |   | 20-40W 403-433MHZ W/Digital Rem Controller         |             |   |          |                                  |                                     |
| L04RHH9PW9_            |   |   |   |   |   |   |   |   |   |   |   |   | 10-25W 438-470MHZ W/Digital Rem Controller         |             |   |          |                                  |                                     |
| L04RKH9PW9_            |   |   |   |   |   |   |   |   |   |   |   |   | 20-40W 450-482MHZ W/Digital Rem Controller         |             |   |          |                                  |                                     |
| L04RKH9PW9_SP01        |   |   |   |   |   |   |   |   |   |   |   |   | 10-25W 453-488MHZ W/Digital Rem Controller         |             |   |          |                                  |                                     |
| L04SKH9PW9_            |   |   |   |   |   |   |   |   |   |   |   |   | 20-40W 482-512MHZ W/Digital Rem Controller         |             |   |          |                                  |                                     |
| L04UJH9PW9_            |   |   |   |   |   |   |   |   |   |   |   |   | 35W 806-870MHZ W/Digital Rem Controller            |             |   |          |                                  |                                     |
| L04JKH9PW7_            |   |   |   |   |   |   |   |   |   |   |   |   | 20-25W 136-162MHZ W/Local Control                  |             |   |          |                                  |                                     |
| L04KKH9PW7_            |   |   |   |   |   |   |   |   |   |   |   |   | 20-25W 146-174MHZ W/Local Control                  |             |   |          |                                  |                                     |
| L04QKH9PW7_            |   |   |   |   |   |   |   |   |   |   |   |   | 20-40W 403-433MHZ W/Local Control                  |             |   |          |                                  |                                     |
| L04RHH9PW7_            |   |   |   |   |   |   |   |   |   |   |   |   | 10-25W 438-470MHZ W/Local Control                  |             |   |          |                                  |                                     |
| L04RKH9PW7_            |   |   |   |   |   |   |   |   |   |   |   |   | 20-40W 450-482MHZ W/Local Control                  |             |   |          |                                  |                                     |
| L04RKH9PW7_SP01        |   |   |   |   |   |   |   |   |   |   |   |   | 10-25W 453-488MHZ W/Local Control                  |             |   |          |                                  |                                     |
| L04SKH9PW7_            |   |   |   |   |   |   |   |   |   |   |   |   | 20-40W 482-512MHZ W/Local Control                  |             |   |          |                                  |                                     |
| L04UJH9PW7_            |   |   |   |   |   |   |   |   |   |   |   |   | 35W 806-870MHZ W/Local Control                     |             |   |          |                                  |                                     |
| L146                   |   |   |   |   |   |   |   |   |   |   |   |   | Tone Rem Control Option (All Local Control Models) |             |   |          |                                  |                                     |
|                        |   |   |   |   |   |   |   |   |   |   |   |   | ITEM NUMBER  | DESCRIPTION |   |          |                                  |                                     |
| X                      | X | X | X | X | X | X | X | X | X | X | X | X | X  | X           | X | HPN4005_ | Power Supply, 13.8V, 10-Amp      |                                     |
| X                      | X | X | X | X | X | X | X | X | X | X | X | X | X  | X           | X | FRN5358_ | Fan                              |                                     |
| X                      | X | X | X | X | X | X | X | X | X | X | X | X | X  | X           | X | HLN5558_ | Command Board                    |                                     |
| X                      | X | X | X | X | X | X | X | X | X | X | X | X | X  | X           | X | HLN6282_ | Power Cord, 100V                 |                                     |
| X                      | X | X | X | X | X | X | X | X | X | X | X | X | X  | X           | X | HLN6344_ | Interface Board                  |                                     |
| X                      | X | X | X | X | X | X | X | X | X | X | X | X | X  | X           | X | HLN6458_ | Vocoder Controller (VOCON) Board |                                     |
| X                      | X | X | X | X | X | X | X | X | X | X | X | X | X  | X           | X | THN6676_ | Housing Assembly                 |                                     |
| X                      | X | X | X | X | X | X | X | X | X | X | X | X | X  | X           | X | TKN8676_ | Cable Kit                        |                                     |
| X                      | X | X | X | X | X | X | X | X | X | X | X | X | X  | X           | X | HLN6607_ | Front Panel Assembly             |                                     |
| X                      | X | X | X | X | X | X | X | X | X | X | X | X | X  | X           | D | TRN7391_ | Audio Interface Board            |                                     |
|                        |   |   |   |   |   |   |   |   |   |   |   |   |  |             | A | PLN1360_ | Tone Remote Control Board        |                                     |
|                        |   |   |   |   |   |   |   |   |   |   |   |   |  |             |   | X        | HLN6396_                         | Control Head Board                  |
|                        |   |   |   |   |   |   |   |   |   |   |   |   |  |             |   | X        | HLN6441_                         | Control Head Display                |
|                        |   |   |   |   |   |   |   |   |   |   |   |   |  |             |   | X        | HMN1050_                         | Desk Microphone                     |
|                        |   |   |   |   |   |   |   |   |   |   |   |   |  |             |   | X        | TRN7392_                         | Control Head Bracket Hardware       |
|                        |   |   |   |   |   |   |   |   |   |   |   |   |  |             |   | X        | TRN7393_                         | Control Head Interface Board        |
|                        |   |   |   |   |   |   |   |   |   |   |   |   |  |             |   | X        | TRN7394_                         | Speaker Hardware                    |
|                        |   |   |   |   |   |   |   |   |   |   |   |   |  |             |   | X        | HLN6523_                         | Control Head Button (Trunking Only) |
|                        |   |   |   |   |   |   |   |   |   |   |   |   |  |             |   | X        | HLN6105_                         | Spare Button Kit                    |
|                        |   |   |   |   |   |   |   |   |   |   |   |   |  |             |   | X        | HLN6688_                         | Spare Button Kit                    |
| X                      | X | X | X | X | X | X | X | X | X | X | X | X | X  | X           | X | X        | HLN6418_                         | Transceiver Hardware                |
| X                      | X | X | X | X | X | X | X | X | X | X | X | X | X  | X           | X | X        | TGN6150_                         | Blank Control Head Panel            |
| X                      | X | X | X | X | X | X | X | X | X | X | X | X | X  | X           | X | X        | HLN6185_                         | Remote Control Head Hardware        |
| X                      | X |   |   |   |   |   |   |   |   |   |   |   |  |             |   | X        | HLN6060_                         | Radio Dash Hardware, Mid-Power      |
|                        |   | X |   | X | X | X |   |   |   |   |   |   |  |             |   | X        | HLN6073_                         | Radio Dash Hardware, Mid-Power, UHF |
|                        |   |   |   |   |   |   | X |   |   |   |   |   |  |             |   | X        | HLN6126_                         | Radio Dash Hardware, Mid-Power TD   |
|                        |   |   | X |   |   |   |   |   |   |   |   |   |  |             |   | X        | HLN6127_                         | Radio Dash Hardware, Low-Power TD   |
| X                      | X |   |   |   |   |   |   | X | X |   |   |   |  |             |   |          | HLD6022_                         | PA Board, 50W, VHF                  |
|                        |   | X |   |   |   |   |   |   |   | X |   |   |  |             |   |          | HLE6049_                         | PA Board, 40W, Range 1, UHF         |
|                        |   |   | X |   |   |   |   |   |   |   | X |   |  |             |   |          | HLE6062_                         | PA Board, 25W, Range 2, UHF         |
|                        |   |   |   | X | X |   |   |   |   |   |   | X | X  |             |   |          | HLE6043_                         | PA Board, 40W, Range 3, UHF         |
|                        |   |   |   |   | X |   |   |   |   |   |   |   |  | X           |   |          | HLE6044_                         | PA Board, 40W, Range 4, UHF         |
|                        |   |   |   |   |   | X |   |   |   |   |   |   |  |             | X |          | HLF6077_                         | PA Board, 35W, 800MHz               |
| X                      | X |   |   |   |   |   |   | X | X |   |   |   |  |             |   |          | HRN6014_                         | ASTRO RF Board, VHF                 |
|                        |   | X |   | X | X | X |   |   |   | X |   | X | X  | X           |   |          | HRN6020_                         | ASTRO RF Board, UHF                 |
|                        |   |   | X |   |   |   |   |   |   |   | X |   |  |             |   |          | HRN4010_                         | RF Board, Low-Pass, UHF             |

Key: X = Item Included, D = Item Deleted, A = Item Added

(Model Chart continued on next page)





# ASTRO Spectra Plus Consolette Model Chart

| MODEL OR OPTION NUMBER |             |             |             |             |             |             |             |             |      | DESCRIPTION |   |   |
|------------------------|-------------|-------------|-------------|-------------|-------------|-------------|-------------|-------------|------|-------------|---|---|
| L04JKH9SW7_            |             |             |             |             |             |             |             |             |      |             | 25-50 W 136-162 MHz with Local Control                |   |
|                        | L04KKH9SW7_ |             |             |             |             |             |             |             |      |             | 25-50 W 146-174 MHz with Local Control                |   |
|                        |             | L04QKH9SW7_ |             |             |             |             |             |             |      |             | 20-40 W 403-433 MHz with Local Control                |   |
|                        |             |             | L04RKH9SW7_ |             |             |             |             |             |      |             | 20-40 W 450-482 MHz with Local Control                |   |
|                        |             |             |             | L04UJH9SW7_ |             |             |             |             |      |             | 35 W 806-869 MHz with Local Control                   |   |
|                        |             |             |             |             | L04KKH9SW9_ |             |             |             |      |             | 25-50 W 146-174 MHz with Digital Remote Controller    |   |
|                        |             |             |             |             |             | L04QKH9SW9_ |             |             |      |             | 20-40 W 403-433 MHz with Digital Remote Controller    |   |
|                        |             |             |             |             |             |             | L04RKH9SW9_ |             |      |             | 20-40 W 450-482 MHz with Digital Remote Controller    |   |
|                        |             |             |             |             |             |             |             | L04UJH9SW9_ |      |             | 35 W 806-869 MHz with Digital Remote Controller       |   |
|                        |             |             |             |             |             |             |             |             | L146 |             | Tone Remote Control Option (All Local Control Models) |   |
|                        |             |             |             |             |             |             |             |             |      | ITEM NUMBER | DESCRIPTION   |   |
| X                      | X           | X           | X           | X           | X           | X           | X           | X           | X    |             | HPN4005_  | Power Supply, 12 V, 12-Amp              |
| X                      | X           | X           | X           | X           | X           | X           | X           | X           | X    |             | FRN5358_  | Fan                                     |
| X                      | X           | X           | X           | X           | X           | X           | X           | X           | X    |             | HLN5558_  | Command Board                           |
| X                      | X           | X           | X           | X           | X           | X           | X           | X           | X    |             | HLN6282_  | Power Cord, 100 V                       |
| X                      | X           | X           | X           | X           | X           | X           | X           | X           | X    |             | HLN6344_  | Interconnect Board                      |
| X                      | X           | X           | X           | X           |             |             |             |             |      |             | HLN6396_  | Control Head Board                      |
| X                      | X           | X           | X           | X           |             |             |             |             |      |             | HLN6441_  | Control Head Display                    |
| X                      | X           | X           | X           | X           |             |             |             |             |      |             | HLN6801_  | Hardware Consolette                     |
| X                      | X           | X           | X           | X           | X           | X           | X           | X           | X    |             | HLN6837_  | Vocoder Controller (VOCON) Board        |
| X                      | X           | X           | X           | X           |             |             |             |             |      |             | HMN1050_  | Desk Microphone                         |
| X                      | X           | X           | X           | X           | X           | X           | X           | X           | X    |             | THN6676_  | Housing Assembly                        |
| X                      | X           | X           | X           | X           | X           | X           | X           | X           | X    |             | TKN8676_  | Cable Kit                               |
| X                      | X           | X           | X           | X           | X           | X           | X           | X           | X    | D           | TRN7391_  | Audio Interface Board (AIB)             |
| X                      | X           | X           | X           | X           |             |             |             |             |      | A           | PLN1360_  | Tone Remote Control Board               |
| X                      | X           | X           | X           | X           |             |             |             |             |      |             | TRN7392_  | Control Head Bracket Hardware           |
| X                      | X           | X           | X           | X           |             |             |             |             |      |             | TRN7393_  | Control Head Interface Board            |
| X                      | X           | X           | X           | X           |             |             |             |             |      |             | TRN7394_  | Speaker Hardware                        |
| X                      | X           | X           | X           | X           | X           | X           | X           | X           | X    |             | HLN6607_  | Front Panel Assembly                    |
| X                      | X           | X           | X           | X           |             |             |             |             |      |             | HLN6688_  | Spare Button Kit                        |
| X                      | X           | X           | X           | X           |             |             |             |             |      |             | HLN6105_  | Spare Button Kit                        |
|                        |             |             |             |             | X           | X           | X           | X           |      |             | HLN6185_  | Remote Control Head Hardware            |
|                        |             |             |             |             | X           | X           | X           | X           |      |             | TGN6150_  | Blank Control Head Panel                |
| X                      | X           |             |             |             | X           |             |             |             |      |             | HLN6060_  | Radio Dash Hardware, Mid-Power          |
|                        |             | X           | X           |             |             | X           | X           |             |      |             | HLN6073_  | Radio Dash Hardware, Mid-Power UHF      |
|                        |             |             |             | X           |             |             |             |             | X    |             | HLN6126_  | Radio Dash Hardware, Mid-Power TD       |
| X                      | X           |             |             |             | X           |             |             |             |      |             | HLN6866_  | Transceiver Hardware, VHF               |
|                        |             | X           | X           |             |             | X           | X           |             |      |             | HLN6418_  | Transceiver Hardware                    |
|                        |             |             |             | X           |             |             |             |             | X    |             | HLN6613_  | Transceiver Hardware, 800               |
| X                      | X           |             |             |             | X           |             |             |             |      |             | HLD6022_  | PA Board, 50 W, VHF                     |
|                        |             | X           |             |             |             | X           |             |             |      |             | HLE6049_  | PA Board, 40 W, Range 1, UHF            |
|                        |             |             | X           |             |             |             | X           |             |      |             | HLE6043_  | PA Board, 40 W, Range 3, UHF            |
|                        |             |             |             | X           |             |             |             |             | X    |             | HLF6077_  | Power Amplifier Board, 35 W, 800 MHz    |
| X                      | X           |             |             |             | X           |             |             |             |      |             | HRN6014_  | ASTRO RF Board, VHF                     |
|                        |             | X           | X           |             |             | X           | X           |             |      |             | HRN6020_  | ASTRO RF Board, UHF                     |
|                        |             |             |             | X           |             |             |             |             | X    |             | HRN6019_  | ASTRO RF Board, 800 MHz                 |
| X                      | X           |             |             |             | X           |             |             |             |      |             | HLD4342_  | VCO Carrier Board, VHF                  |
|                        |             | X           |             |             |             | X           |             |             |      |             | HLE6045_  | VCO Carrier Board, Range 1, UHF         |
|                        |             |             | X           |             |             |             | X           |             |      |             | HLE6000_  | VCO Carrier Board, Range 3, UHF         |
|                        |             |             |             | X           |             |             |             |             | X    |             | HLF6080_  | VCO Carrier Board, 800 MHz              |
| X                      |             |             |             |             |             |             |             |             |      |             | HLD6061_  | Hybrid VCO Board, Range 1, VHF          |
|                        | X           |             |             |             | X           |             |             |             |      |             | HLD6062_  | Hybrid VCO Board, Range 2, VHF          |
|                        |             | X           |             |             |             | X           |             |             |      |             | HLE6101_  | Hybrid VCO Board, Range 1, UHF          |
|                        |             |             | X           |             |             |             | X           |             |      |             | HLE6103_  | Hybrid VCO Board, Range 3, UHF          |
|                        |             |             |             | X           |             |             |             |             | X    |             | HLF6079_  | Hybrid VCO Board, 800 MHz               |
| X                      |             |             |             |             |             |             |             |             |      |             | HRD6001_  | Receiver Board, Front-End, Range 1, VHF |
|                        | X           |             |             |             | X           |             |             |             |      |             | HRD6002_  | Receiver Board, Front-End, Range 2, VHF |
|                        |             | X           |             |             |             | X           |             |             |      |             | HRE6001_  | Receiver Board, Front-End, Range 1, UHF |
|                        |             |             | X           |             |             |             | X           |             |      |             | HRE6003_  | Receiver Board, Front-End, Range 3, UHF |
|                        |             |             |             | X           |             |             |             |             | X    |             | HRF6004_  | Receiver Board, Front-End, 800 MHz      |

Key: X = Item Included, D = Item Deleted, A = Item Added

## Specifications for ASTRO Spectra/Spectra Plus VHF Models

| GENERAL   | RECEIVER   | TRANSMITTER  |
|---|--|--|
| <b>FCC Designation:</b> AZ492FT3772   | <b>Frequency Range:</b><br>Range 1: 136-162 MHz<br>Range 2: 146-174 MHz  | <b>Frequency Range:</b><br>Range 1: 136-162 MHz<br>Range 2: 146-174 MHz  |
| <b>Temperature Range:</b> -20°C to +50°C  | <b>Channel Spacing:</b> 12.5/25/30 kHz   | <b>Channel Spacing:</b> 12.5/25/30 kHz   |
| <b>Power Supply:</b> 115 VAC/230 VAC<br>12 Vdc  | <b>Input Impedance:</b> 50 Ohms  | <b>Output Impedance:</b> 50 Ohms   |
| <b>AC Current Drain: (Maximum)</b><br><b>25-50 Watts Variable:</b><br>Receive: 0.7A/0.4A<br>Transmit: 2.30A/1.16A | <b>Frequency Separation:</b> Full Bandsplit  | <b>Frequency Stability</b><br>(-20 to +50°C; 25°C Ref.): ± .00025%   |
| <b>DC Current Drain: (Maximum)</b><br><b>25-50 Watts Variable:</b><br>Receive: 3A<br>Transmit: 13.5A              | <b>Analog Sensitivity:+</b><br><b>20 dB Quieting</b> (25/30 kHz Channel Spacing):<br>With Optional Pre-Amp 0.25µV<br>Without Optional Pre-Amp 0.40µV | <b>Modulation Limiting:+</b><br>25/30 kHz Channel Spacing: ±5.0 kHz<br>12.5 kHz Channel Spacing: ±2.5 kHz                        |
| <b>Dimensions (H x W x D):</b><br>4.25" x 15.75" x 17"<br>(108 mm x 400 mm x 432 mm)                              | <b>12 dB Quieting</b> (25/30 kHz Channel Spacing):<br>With Optional Pre-Amp 0.20µV<br>Without Optional Pre-Amp 0.30µV                                | <b>Modulation Fidelity (C4FM):*</b><br>12.5 kHz Channel Spacing: ±2.8 kHz  |
| <b>Weight:</b> 16.1 lbs (7.3 kg)  | <b>Digital Sensitivity:*</b><br><b>1% BER</b> (12.5 kHz Channel Spacing):<br>With Optional Pre-Amp 0.25µV<br>Without Optional Pre-Amp 0.40µV         | <b>FM Hum and Noise:+</b><br>25/30 kHz Channel Spacing: -50 dB<br>12.5 kHz Channel Spacing: -40 dB                               |
|   | <b>5% BER</b> (12.5 kHz Channel Spacing):<br>With Optional Pre-Amp 0.20µV<br>Without Optional Pre-Amp 0.30µV   | <b>Emissions:+*</b><br><b>(Conducted and Radiated)</b> -70 dB  |
|   | <b>Selectivity:+</b><br>25/30 kHz Channel Spacing: -80 dB<br>12.5 kHz Channel Spacing: -70 dB  | <b>Audio Response:+</b><br>(6 dB/Octave Pre-Emphasis +1, -3 dB<br>from 300 to 3000 Hz)   |
|   | <b>Intermodulation:+*</b><br>(25/30 kHz Channel Spacing)<br>With Optional Pre-Amp -80 dB<br>Without Optional Pre-Amp -85 dB                          | <b>Audio Distortion:+</b> 2%   |
|   | <b>Spurious Rejection:+*</b><br>With Optional Pre-Amp -80 dB<br>Without Optional Pre-Amp -83 dB  | <b>Emissions Designators:</b><br>8K10F1E/F1D, 10K0F1D/F2D, 10K4F3E,<br>11K0F1D/F2D/F3E, 15K0F1D/F2D,<br>16K0F3E, and 20K0F1E/F1D |
|   | <b>Audio Output at External Speaker:</b><br>(Local Control Only) 5W@<5% Distortion   |  |
| + = Measured in Analog Mode per TIA/EIA-603   |  |  |
| * = Measured in Digital Mode per TIA/EIA TSB102.CAAB  |  |  |

Specifications subject to change without notice.

## Specifications for ASTRO Spectra/Spectra Plus UHF Models

| GENERAL  | RECEIVER   | TRANSMITTER  |
|--|--|--|
| <b>FCC Designation:</b> AZ492FT4786                | <b>Frequency Range:</b>  | <b>Frequency Range:</b>  |
| <b>Temperature Range:</b> -20°C to +50°C           | <b>Range 1:</b> 403-433 MHz  | <b>Range 1:</b> 403-433 MHz  |
| <b>Power Supply:</b> 115 VAC/230 VAC<br>12 Vdc     | <b>Range 2:</b> 438-470 MHz  | <b>Range 2:</b> 438-470 MHz  |
| <b>AC Current Drain: (Maximum)</b>                 | <b>Range 3:</b> 450-482 MHz  | <b>Range 3:</b> 450-482 MHz  |
| <b>25-40 Watts Variable:</b>                       | <b>Range 4:</b> 482-512 MHz  | <b>Range 4:</b> 482-512 MHz  |
| Receive: 0.7A/0.4A                                 | <b>Channel Spacing:</b> 12.5/25 kHz  | <b>Channel Spacing:</b> 12.5/25 kHz  |
| Transmit: 2.30A/1.16A                              | <b>Input Impedance:</b> 50 Ohms  | <b>Output Impedance:</b> 50 Ohms   |
| <b>DC Current Drain: (Maximum)</b>                 | <b>Frequency Separation:</b> Full Bandsplit  | <b>Frequency Stability</b><br>(-20 to +50°C; 25°C Ref.): ± .00020%   |
| <b>25-40 Watts Variable:</b>                       | <b>Analog Sensitivity:+</b>  | <b>Modulation Limiting:+</b>   |
| Receive: 3A  | <b>20 dB Quieting</b> (25 kHz Channel Spacing):                                    | 25 kHz Channel Spacing: ±5.0 kHz   |
| Transmit: 13.5A                                    | With Optional Pre-Amp 0.25µV   | 12.5 kHz Channel Spacing: ±2.5 kHz   |
|  | Without Optional Pre-Amp 0.40µV  |  |
| <b>Dimensions (H x W x D):</b>                     | <b>12 dB Quieting</b> (25 kHz Channel Spacing):                                    | <b>Modulation Fidelity (C4FM):*</b>  |
| 4.25" x 15.75" x 17"<br>(108 mm x 400 mm x 432 mm) | With Optional Pre-Amp 0.20µV   | 12.5 kHz Channel Spacing: ±2.8 kHz   |
|  | Without Optional Pre-Amp 0.30µV  |  |
| <b>Weight:</b> 16.1 lbs (7.3 kg)                   | <b>Digital Sensitivity:*</b>   | <b>FM Hum and Noise:+</b>  |
|  | <b>1% BER</b> (12.5 kHz Channel Spacing):  | 25 kHz Channel Spacing: -45 dB   |
|  | With Optional Pre-Amp 0.25µV   | 12.5 kHz Channel Spacing: -40 dB   |
|  | Without Optional Pre-Amp 0.40µV  |  |
|  | <b>5% BER</b> (12.5 kHz Channel Spacing):  | <b>Emissions:+*</b><br><b>(Conducted and Radiated)</b> -70 dB  |
|  | With Optional Pre-Amp 0.20µV   |  |
|  | Without Optional Pre-Amp 0.30µV  | <b>Audio Response:+</b><br>(6 dB/Octave Pre-Emphasis +1, -3 dB<br>from 300 to 3000 Hz)   |
|  | <b>Selectivity:+</b>   | <b>Audio Distortion:+</b> 2%   |
|  | 25 kHz Channel Spacing: -80 dB   |  |
|  | 12.5 kHz Channel Spacing: -75 dB   |  |
|  | <b>Intermodulation:+*</b><br>(25kHz Channel Spacing)                               | <b>Emissions Designators:</b><br>8K10F1E/F1D, 10K0F1D/F2D, 10K4F3E,<br>11K0F1D/F2D/F3E, 15K0F1D/F2D,<br>16K0F3E, and 20K0F1E/F1D |
|  | With Optional Pre-Amp -80 dB   |  |
|  | Without Optional Pre-Amp -85 dB  |  |
|  | <b>Spurious Rejection:+*</b>   |  |
|  | With Optional Pre-Amp -80 dB   |  |
|  | Without Optional Pre-Amp -83 dB  |  |
|  | <b>Audio Output at External Speaker:</b><br>(Local Control Only) 5W@<5% Distortion |  |

+ = Measured in Analog Mode per TIA/EIA-603

\* = Measured in Digital Mode per TIA/EIA TSB102.CAAB

Specifications subject to change without notice.

## Specifications for ASTRO Spectra/Spectra Plus 800MHz Models

| GENERAL  | RECEIVER  | TRANSMITTER  |
|--|---|--|
| <b>FCC Designation:</b> AZ492FT5751  | <b>Frequency Range:</b> 851–869 MHz   | <b>Frequency Range:</b><br>Repeater Mode: 806-824 MHz<br>TalkAround Mode: 851-869 MHz  |
| <b>Temperature Range:</b> –20°C to +50°C   | <b>Channel Spacing:</b> 12.5/20/25 kHz  | <b>Channel Spacing:</b> 12.5/20/25 kHz   |
| <b>Power Supply:</b> 115 VAC/230 VAC<br>12 Vdc   | <b>Input Impedance:</b> 50 Ohms   | <b>Output Impedance:</b> 50 Ohms   |
| <b>AC Current Drain: (Maximum)</b><br><b>35 Watts Variable:</b><br>Receive: 0.7A/0.4A<br>Transmit: 2.30A/1.16A | <b>Frequency Separation:</b> Full Bandsplit   | <b>Frequency Stability</b><br>(–20 to +50°C; 25°C Ref.): ± .00015%   |
| <b>DC Current Drain: (Maximum)</b><br><b>35 Watts Variable:</b><br>Receive: 3A<br>Transmit: 13.5A              | <b>Analog Sensitivity:+</b><br><b>20 dB Quieting</b> (25 kHz Channel Spacing):<br>0.30µV<br><b>12 dB Quieting</b> (25 kHz Channel Spacing):<br>0.25µV | <b>Modulation Limiting:+</b><br>25 kHz Channel Spacing: ±5.0kHz<br>20 kHz Channel Spacing:±4kHz (NPSPCA)                         |
| <b>Dimensions (H x W x D):</b><br>4.25" x 15.75"x 17"<br>(108 mm x 400 mm x 432 mm)                            | <b>Digital Sensitivity:*</b><br><b>1% BER</b> (12.5 kHz Channel Spacing):<br>0.30µV<br><b>5% BER</b> (12.5 kHz Channel Spacing):<br>0.25µV            | <b>Modulation Fidelity (C4FM):*</b><br>12.5 kHz Channel Spacing: ±2.8 kHz  |
| <b>Weight:</b> 16.1 lbs (7.3 kg)   | <b>Selectivity:+</b><br>25 kHz Channel Spacing: –80 dB<br>12.5 kHz Channel Spacing: –65 dB  | <b>FM Hum and Noise:+</b><br>25 kHz Channel Spacing: –40 dB  |
|  | <b>Intermodulation:+</b> –80 dB   | <b>Emissions:+*</b><br><b>(Conducted and Radiated)</b> –60 dB  |
|  | <b>Spurious Rejection:+*</b> –83 dB   | <b>Audio Response:+</b><br>(6 dB/Octave Pre-Emphasis +1, –3 dB<br>from 300 to 3000 Hz)   |
|  | <b>Audio Output at External Speaker:</b><br>(Local Control Only) 5W@<5% Distortion  | <b>Audio Distortion:+</b> 2%   |
|  |   | <b>Emissions Designators:</b><br>8K10F1E/F1D, 10K0F1D/F2D, 10K4F3E,<br>11K0F1D/F2D/F3E, 15K0F1D/F2D,<br>16K0F3E, and 20K0F1E/F1D |
| + = Measured in Analog Mode per TIA/EIA-603<br>* = Measured in Digital Mode per TIA/EIA TSB102.CAAB            |   |  |

Specifications subject to change without notice.

## ASTRO Spectra Console Options

| Option                            | Description   |
|-----------------------------------|---|
| <b>Software Options</b>           |   |
| G48                               | ENH: Console Conventional Operation                       |
| G50                               | ENH: Console SmartNET Operation                           |
| G51                               | ENH: Console SmartZone Operation                          |
| G101*                             | ENH: Stat-Alert Repeater Access                           |
| G114                              | ENH: Digital PTT-ID Console                               |
| G173                              | ENH: SmartZone OmniLink Multizone Operation               |
| G241                              | ADD: Analog Only Mode                                     |
| G242*                             | ADD: Digital and Analog Mode (VSELP)                      |
| G361                              | ENH: 9600 Baud Project 25 Trunking                        |
| G806                              | ENH: ASTRO Digital CAI Operation                          |
| <b>Console Encryption Options</b> |   |
| G62*                              | ADD: DVP-XL & DES-XL Encryption                           |
| G159+                             | ADD: Encryption UCM Hardware                              |
| G275*                             | ADD: DES-OFB/DVP-XL Encryption                            |
| G298                              | ADD: Enhanced OTAR 3.0A                                   |
| G625                              | ENH: DES/DES-XL/DES-OFB UCM                               |
| G843                              | ADD: AES Encryption UCM                                   |
| G851                              | ADD: AES/DES-XL/DES-OFB Encryption                        |
| W797                              | ADD: DVP-XL Encryption                                    |
| W969                              | ADD: Advanced SECURENET Multi-Key                         |
| <b>General Hardware Options</b>   |   |
| L32                               | 12 Volts DC Only  |
| L73                               | Omit Microphone—Only compatible with W7 Version           |
| L114                              | Clock/VU Meter  |
| L146                              | Tone Remote Control (TRC)—Only compatible with W7 version |

\* denotes that an option is for the ASTRO Spectra Plus Console only

+ denotes that an option is for the ASTRO Spectra Console only

**Note:** The ASTRO Spectra/Spectra Plus Console (W9 model) incorporates the Digital Remote Control feature. This model is compatible with DGT9000 models L1751 and L1752, RCH3000 models L3030 and CDN1337, and MC3000 model L3223.

## Notes

# Introduction

# 1

---

## General

The information presented in this manual describes the installation, operation, and maintenance of the ASTRO™ Spectra®/Spectra Plus Consolette. Refer to the front of this manual for the model/option chart and performance specifications. For additional information about the ASTRO Spectra/Spectra Plus radio, refer to the appropriate ASTRO Spectra/Spectra Plus radio user's guide and service manual.

The ASTRO Spectra/Spectra Plus Consolette incorporates functional design in a modern, lightweight plastic housing. This housing was designed using "design-for-assembly" principles to minimize fasteners, part count, and assembly time, while improving versatility, assembly ease, and quality.

The Consolette consists of a base plate, onto which the entire Consolette is assembled. Subassemblies, which "snap-fit" into this base, include the fan, power supply, audio interface or optional tone remote control board, ASTRO Spectra/Spectra Plus radio, RF connector, and front panel assembly. The ASTRO Spectra/Spectra Plus radio, fan, and power supply also have screws that are used to secure them.

The front panel assembly consists of the ASTRO Spectra/Spectra Plus control head assembly, speaker, power-on LED, optional VU meter/clock, and optional keyloading connector. In addition, all internal cabling for the station is completely connectorized. To complete the assembly, the top cover snaps into the base plate. See "Diagrams and Parts Lists" on page 51 for the Consolette exploded view and detailed cable connectorization information.

The ASTRO Spectra/Spectra Plus Consolette allows conventional or trunked operation, analog or digital operation, SECURENET™ operation, local control, tone remote control, Digital Remote Control, and a variety of other options. The Microsoft Windows-based Customer Programming Software (CPS) allows for field programming for such items as channel frequencies, PL/DPL, etc.

The ASTRO Spectra/Spectra Plus Consolette supports all ASTRO mobile features except Siren, Vehicular Repeater System, and those requiring the addition of a direct-entry keyboard (DEK). Refer to the applicable ASTRO Spectra/Spectra Plus service manual for additional information about ASTRO features.

**NOTE:** While SCAN can be enabled on the ASTRO Spectra/Spectra Plus Consolette, it is advised that this feature not be used in conjunction with the Tone Remote Control option. This feature does not indicate to the remote user which channel the ASTRO transceiver may have scanned to, and thus might cause confusion.

Two DB-25 connectors, located on the back panel of the unit, provide connections for external equipment. The bottom connector (Accessory 2) provides an interface for tone remote and digital remote desksets.

---

## Options

### **Hardware Options**

#### 12V DC Only, L32

This optional module replaces the AC power supply in sites where AC power is not available and allows the Console to operate with a 12V DC battery or generator.

#### Omit Microphone, L73

This option omits the desk microphone, which is part of the standard product. This option is incompatible with W9 versions (Digital Remote Control) of the ASTRO Spectra/Spectra Plus Console.

#### Clock/VU Meter, L114

This option provides a digital clock display with provisions for time setting, and a VU meter which provides indication of transmit audio level in the form of incremental bars.

#### Tone Remote Control, L146

This option provides tone remote control capability, as well as a digital interface to the Gold Series Elite Console. This option is incompatible with W9 versions (Digital Remote Control) of the ASTRO Spectra/Spectra Plus Console. See the note on page 1 concerning SCAN.

### **Software Options**

#### Enhanced Digital PTT-ID Console, G114

This option provides display capability of Push-To-Talk, Private Call, Call Alert, and Emergency Call IDs. This information will either be displayed on the local control head (W7 models) or at the remote control head (W9 models). If the TRC option L146 is ordered in combination with the G114 option, then the ID will be made available to the console. The PTT-ID option is not automatically enabled in the ASTRO Spectra/Spectra Plus Console. To enable the G114 option, the ID Display field in the ASTRO Spectra/Spectra Plus Console codeplug will need to be enabled using ASTRO CPS. The ID Display field can be found in the *Radio Configuration* → *Display & Menu* section of the ASTRO Spectra/Spectra Plus Console codeplug.

**NOTE:** The ASTRO Spectra/Spectra Plus Console uses an ASTRO Spectra/Spectra Plus Mobile subscriber radio as its transceiver. Therefore, the ASTRO Spectra/Spectra Plus Console will NOT decode an Emergency Alarm generated by field subscriber units, and it will NOT display the Emergency Alarm ID locally or at a console station. This signal is typically generated by the subscriber radio by pushing the orange alarm button.

#### Enhanced Stat-Alert Repeater Access, G101

This option allows the user to access a specific repeater for voice and data transmission. This option is NOT available on the ASTRO Spectra Plus Console.



Enhanced SmartZone  
Omnalink Multizone  
Operation, G173

This option is required for the 3600 SmartZone System.

Digital Remote Control,  
W9 Models

This option is standard with W9 ASTRO Spectra/Spectra Plus Consolette models. It allows operation with DGT9000 models L1751 and L1752, RCH3000 models L3030 and CDN1337, and MC3000 model L3223. This option is incompatible with L73, L114, and L146.

**NOTE:** ASTRO Spectra/Spectra Plus Consolette mode names, phone lists, call lists, and message names are programmed in the radio using Customer Programming Software (CPS) for both W7 and W9 models.

### ***Encryption Options***

Encryption UCM  
Hardware, G159

This option provides the UCM hardware necessary for options G298, G843, and G851 in the ASTRO Spectra Plus Consolette.

OTAR 3.0A, G298

This option provides Over-the-Air Rekeying (OTAR) capability.

DVP-XL, W797

This option provides DVP-XL encryption/decryption capability. This option is incompatible with all other encryption options.

DVP-XL and DES-XL, G62

This option provides DVP-XL and DES-XL encryption/decryption capability. This option is incompatible with all other encryption options. This option is NOT available on the ASTRO Spectra Plus Consolette.

DES-OFB and DVP-XL,  
G275

This option provides DES-OFB and DVP-XL encryption/decryption capability. This option is incompatible with all other encryption options. This option is NOT available on the ASTRO Spectra Plus Consolette.

DES, DES-XL, and  
DES-OFB UCM, G625

This option provides DES, DES-XL, and DES-OFB encryption/decryption capability. This option is incompatible with all other encryption options.

AES, G843

This option provides AES encryption/decryption capability. This option is incompatible with all other encryption options.

AES, DES-XL and DES-  
OFB, G851

This option provides AES, DES-XL and DES-OFB encryption/decryption capability. This option is incompatible with all other encryption options.

Advanced SECURENET  
Multi-Key, W969

This option provides Advanced SECURENET Multi-Key and OTAR encryption/decryption capability. This option is incompatible with all other encryption options.

---

**Notes**

# Installation

# 2

---

## Planning the Installation

Since a good installation is important to obtain optimal performance of the Consolette, carefully plan the installation before the actual work is started. Location of the Consolette in relation to power, control lines, and antenna, as well as convenience and access for servicing, should be considered.

**NOTE:** The RF transmission line should be kept as short as possible to minimize line losses; however, the antenna should not be placed so close as to cause interference with the Consolette. See “Lightning and Surge Suppression” on page ix of this manual for additional antenna, RF transmission line, and control line installation considerations.

Read the entire procedure and the suggestions offered to help plan the installation. Make sure all necessary equipment and facilities are available during installation.

The ASTRO Spectra/Spectra Plus Consolette is not recommended for dense site applications (that is, dense metropolitan areas or “antenna farms”).

---

## Ventilation

The Consolette is designed for wall mount or horizontal flat plane installation with forced convection cooling on both mountings. For proper cooling, the Consolette must be kept free of obstructions at its back and sides for at least 4 inches (100 mm), so as not to restrict airflow.

**NOTE:** Make certain that the air temperature around the unit does not exceed the recommended operating temperature range of  $-20^{\circ}\text{C}$  to  $50^{\circ}\text{C}$ .

---

## Station Mounting Procedures

Refer to the specifications section in the front of this manual for unit dimensions.

### *Desktop Installation*

The Consolette may be placed on any solid, flat surface with easy access to the power source and RF transmission line. Keep in mind the ventilation requirements as previously described in “Ventilation” on page 5.

### *Wall Mounting*

Ensure that the selected mounting surface is strong enough to support the Consolette weight of 16 lbs. Mark the location of the four mounting screws. See Figure 1 on page 6. Use screws suitable for the wall material. The maximum diameter of the screw and screw head should be 0.25 inches (6.5 mm) and 0.43 inches (11 mm), respectively. Allow the bottom surface of the screw head to protrude 0.3 inches (7.5 mm) from the wall surface. Hold the station with the

front panel facing up and guide the holes provided on the bottom of the cabinet over the mounting screws.

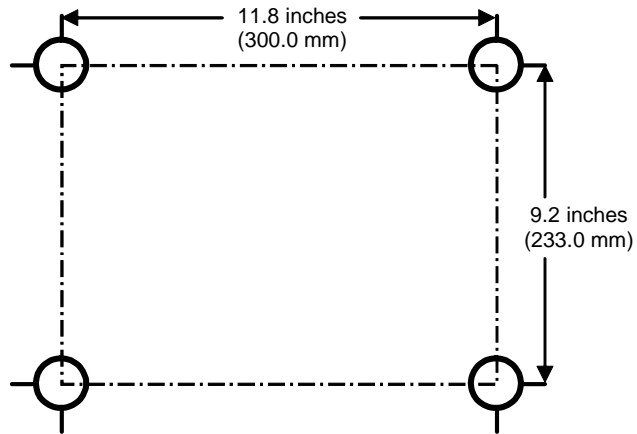


Figure 1. Wall Mounting

---

## Antenna Connections

The antenna and transmission lines are not part of the Console; therefore, antenna installation instructions are not included in this section. Refer to the instructions shipped with the antenna for applicable information.

In its primary application, the Console is used for communication with mobile radios. Therefore, an omni-directional antenna is recommended. However, if the Console is located at the outer perimeter of a communications area, or if it is to be used for communication with a fixed station, an antenna with specific directional characteristics may be preferred. Local government agencies may also dictate the type of antenna to be used.

The coaxial antenna cable connects to an N-type coaxial connector located on the rear panel of the station. See Figure 2.




Figure 2. Rear Panel

## Power and Ground Connection

### General

All Consolettes should have a separate AC power circuit with proper current and voltage for Consolette operation. Refer to the specifications section in the front of this manual for AC requirements of each model. The power lines should be installed in accordance with local electrical codes. A substantial earth ground must be provided in a straight line close to the ground terminal provided on the Consolette. DO NOT consider an electrical output box as a substantial earth ground. See “Lightning and Surge Suppression” on page ix for additional grounding recommendations.

|   |  |
|---|--|
| <br><b>WARNING</b> | <p><b>Even if a three-wire grounding AC power source is available, the radio equipment must be grounded separately to prevent electrical shock hazards and provide lightning protection.</b></p> |
|---|--|

The AC power line leading to the selected site for the Consolette may be installed prior to installation of the Consolette itself.

### AC Power Input


|  |  |
|--|--|
| <br><b>WARNING</b> | <p><b>The Consolette is shipped standard from the factory for operation from a 115 VAC power source. For 230 VAC operation, remove the Consolette top cover (see “Disassembly and Reassembly” on page 38) and slide the AC power selector switch, located on the Consolette power supply, to the 230 VAC position. Install the appropriate AC power connector on the end of the 115 VAC power cord provided with the Consolette.</b></p> |
|--|--|



Figure 3. Power Supply VAC-Select Switch

**NOTE:** Replacement 115 VAC power cords may be ordered from Motorola as kit number HLN6282A.


## Installation: DIP Switch and Jumper Settings

1. Install the Consolette as described in “Station Mounting Procedures” on page 5.
2. Connect the female plug of the AC line cord to the AC input power connector on the rear panel of the station. See Figure 2 on page 6.
3. Connect the ground terminal on the Consolette in as straight a line as possible to a substantial earth ground located as close as possible to the Consolette ground terminal.
4. Make certain the AC power source is of the proper current and voltage rating for the Consolette. Refer to the specifications section in the front of this manual for the AC requirement of each model. Then connect the male plug of the AC line cord to the AC power source.

**NOTE:** The ON/OFF power button located on the ASTRO control head is disabled before shipment; therefore, the Consolette is immediately operational when its power cord is plugged into a live AC outlet. To enable the ON/OFF power button on the ASTRO control head, refer to the information in “DIP Switch and Jumper Settings” on page 8. Please note that the ON/OFF power button on the control head controls the power to the control head only. For Consolettes containing the Digital Remote Control feature, W9 models, no control head is present and the Consolette will always be immediately operational when its power cord is plugged into a live AC outlet.

### ***DC Input Power (Optional)***

Connection of DC input power to the Consolette is offered as an option. The battery should be connected to the DC connector (DC IN) on the rear panel of the Consolette. See Figure 2 on page 6. Note that the top and bottom pins of DC IN are the negative and positive terminals, respectively.


|   |  |
|---|--|
|  <p><b>Caution</b></p> | <p>To prevent damage to the Consolette, be sure to use a battery that is connected only to the Consolette. Disconnect both battery terminals from the Consolette when connecting the battery to any other equipment, including a battery charger. Be sure to observe proper polarity when making the DC power connections.</p> |
|---|--|

---

### **DIP Switch and Jumper Settings**

The DIP switches and jumpers are used to provide various operating configurations to the Consolette. The Audio Interface board has a DIP switch package and three jumpers. The optional Tone Remote Control board has two DIP switch packages, two jumpers, and two plugs. Refer to the tables below for detailed descriptions of switch and jumper settings for each board.

**NOTE:** 0Ω chip resistors are used for some jumpers. A low-power soldering iron must be used to install and remove them.

|   |  |
|---|--|
| <br><b>Caution</b> | Review “Safe Handling of CMOS Integrated-Circuit Devices” on page xi before setting any DIP switches or jumpers. |
|---|--|

## Audio Interface Board Settings

Table 1. Audio Interface Board DIP Switch Settings

| Switch | State      | Description                               |
|--------|------------|---|
| S101-1 | <b>ON</b>  | ASTRO control head power button disabled  |
|        | OFF        | ASTRO control head power button enabled   |
| S101-2 |            | Not used                                  |
| S101-3 | <b>ON</b>  | EMER active high                          |
|        | OFF        | EMER active low                           |
| S101-4 | <b>ON</b>  | 600Ω Impedance                            |
|        | OFF        | 900Ω Impedance                            |
| S101-5 | ON         | 900Ω Impedance                            |
|        | <b>OFF</b> | 600Ω Impedance                            |
| S101-6 | ON         | Local desk microphone not present         |
|        | <b>OFF</b> | Local desk microphone present             |
| S101-7 | ON         | Digital Remote Control option present     |
|        | <b>OFF</b> | Digital Remote Control option not present |
| S101-8 |            | Not used                                  |

**BOLD** indicates factory default setting

Table 2. Audio Interface Board Jumper Settings

| Jumper | State      | Description  |
|--------|------------|--|
| JU101  | <b>IN</b>  | Always placed for ASTRO  |
| J14    | A-B        | Transmitted and received audio is routed to TAPE_OUT (Accessory Connector 3, pin 11) |
|        | <b>B-C</b> | Only received audio is routed to TAPE_OUT (Accessory Connector 3, pin 11)            |
| J15    | A-B        | SPKR_UNMUTE active high (COR)  |
|        | <b>B-C</b> | SPKR_UNMUTE active low (COR)   |

**BOLD** indicates factory default setting

## Tone Remote Control Board Settings

### IMPORTANT!

Make sure you remove power to the Consolette when making changes to the DIP switch settings for S100. This DIP switch resides under the RFI shield on the Tone Remote Control board. The ASTRO mobile unit and the shield cover must be removed in order to access the DIP switch. After changes have been made, replace the shield cover, ASTRO mobile unit, and Consolette lid before restoring power to the Consolette.

Table 3. Tone Remote Control Board DIP Switch Settings (S100)

| Switch | State      | Description                              |
|--------|------------|--|
| S100-1 | <b>OFF</b> | Always off for ASTRO                     |
| S100-2 | ON         | Local mic audio not routed down wireline |
|        | <b>OFF</b> | Local mic audio routed down wireline     |
| S100-3 | <b>ON</b>  | Tone Remote Control                      |
|        | OFF        | SMP Control                              |
| S100-4 | ON         | AGC Disabled                             |
|        | <b>OFF</b> | AGC Enabled                              |
| S100-5 | ON         | Tone Table Select 1*                     |
|        | <b>OFF</b> |  |
| S100-6 | ON         | Tone Table Select 2*                     |
|        | <b>OFF</b> |  |
| S100-7 | ON         | Tone Table Select 3*                     |
|        | <b>OFF</b> |  |
| S100-8 | ON         | Tone Table Select 4.*                    |
|        | <b>OFF</b> |  |

**BOLD** indicates factory default setting

\* Refer to Table 7 for setting information

Table 4. Tone Remote Control Board DIP Switch Settings (S101)

| Switch | State     | Description                              |
|--------|-----------|--|
| S101-1 | <b>ON</b> | ASTRO control head power button disabled |
|        | OFF       | ASTRO control head power button enabled  |
| S101-2 |           | Not used                                 |
| S101-3 | <b>ON</b> | EMER active high                         |
|        | OFF       | EMER active low                          |
| S101-4 | <b>ON</b> | 600Ω impedance                           |
|        | OFF       | 900Ω impedance                           |



## Installation: DIP Switch and Jumper Settings

*Table 4. Tone Remote Control Board DIP Switch Settings (S101) (cont'd)*

| Switch | State      | Description                       |
|--------|------------|-----------------------------------|
| S101-5 | ON         | 900Ω impedance                    |
|        | <b>OFF</b> | 600Ω impedance                    |
| S101-6 | ON         | Local desk microphone not present |
|        | <b>OFF</b> | Local desk microphone present     |
| S101-7 | <b>ON</b>  | Two-wire operation                |
|        | OFF        | Four-wire operation               |
| S101-8 | ON         | Four-wire operation               |
|        | <b>OFF</b> | Two-wire operation                |

**BOLD** indicates factory default setting

*Table 5. Tone Remote Control Board Jumper Settings*

| Jumper | State     | Description                              |
|--------|-----------|--|
| JU100  | <b>IN</b> | Crystal frequency shift circuit enabled  |
|        | OUT       | Crystal frequency shift circuit disabled |
| JU101  | <b>IN</b> | Always placed for ASTRO                  |

**BOLD** indicates factory default setting

*Table 6. Tone Remote Control Board Plug Settings*

| Plug | Jumper     | Description  |
|------|------------|--|
| P101 | A-B        | Transmitted and received audio is routed to TAPE_OUT (Accessory Connector 3, pin 11) |
|      | <b>B-C</b> | Only received audio is routed to TAPE_OUT (Accessory Connector 3, pin 11)            |
| P102 | A-B        | SPKR_UNMUTE active high  |
|      | <b>B-C</b> | SPKR_UNMUTE active low   |

**BOLD** indicates factory default setting

Table 7. Tone Table Selection

| SEL #4 | SEL #3 | SEL #2 | SEL #1 | Selected Tone Table |
|--------|--------|--------|--------|---------------------|
| OFF    | OFF    | OFF    | OFF    | Standard            |
| OFF    | OFF    | OFF    | ON     | CentraCom II        |
| OFF    | OFF    | ON     | OFF    | No Mode Sel         |
| OFF    | OFF    | ON     | ON     | Mode 1 only         |
| OFF    | ON     | OFF    | OFF    | No Mode 1           |
| OFF    | ON     | OFF    | ON     | Not supported       |
| OFF    | ON     | ON     | OFF    | Not supported       |
| OFF    | ON     | ON     | ON     | Not supported       |
| ON     | OFF    | OFF    | OFF    | Not supported       |
| ON     | OFF    | OFF    | ON     | Not supported       |
| ON     | OFF    | ON     | OFF    | Not supported       |
| ON     | OFF    | ON     | ON     | Not supported       |
| ON     | ON     | OFF    | OFF    | Not supported       |
| ON     | ON     | OFF    | ON     | Not supported       |
| ON     | ON     | ON     | OFF    | Not supported       |
| ON     | ON     | ON     | ON     | Not supported       |

## Clock/VU Meter Setup (Optional)

### General

The clock shows the time, day, month, and year.

### Operation

Press the **mode** button to change the display cyclically between the time, month.day, and year.

### Time Setting

After power up, the display flashes and the clock starts from the default time of: 00:00:00, month.day: 1.1, year: 1990.

1. Press the **mode** button until the time is displayed (HH:MM).
2. Press the **set** button for 5 seconds.
3. Press the **mode** button to reset the seconds. The display shows the seconds.
4. Press the **set** button. The display shows the hours and minutes (flashing).
5. Press the **mode** button until the correct minutes are displayed.
6. Press the **set** button. The display shows the hours (flashing) and minutes.
7. Press the **mode** button until the desired hour is displayed.

8. Press the **set** button to complete the time setting.

### ***Month and Day Setting***

1. Press the **mode** button until the month.day (MM.DD) is in the display.
2. Press the **set** button for 5 seconds (the day flashes).
3. Press the **mode** button until the desired day appears in the display.
4. Press the **set** button (the month flashes).
5. Press the **mode** button until the desired month is displayed.
6. Press the **set** button to complete the month and day setting.

### ***Year Setting***

1. Press the **mode** button until the year is in the display (1990 default).
2. Press the **set** button for 5 seconds (the right digit flashes).
3. Press the **mode** button until the correct digit flashes.
4. Press the **set** button (the next digit flashes).
5. Repeat the previous two steps to set all the digits.

The setting is complete. To display the time, press the **mode** button.

---

## **Accessory Connector 2**

Table 8 contains pin descriptions for Accessory Connector 2. See Figure 4 on page 16 for pin locations on mating connector.



### **Caution**

To avoid possible damage to external equipment and the Console, make sure equipment is connected to the proper accessory connector pins before applying power to the station.

Table 8. Accessory Connector 2 - Pin Descriptions

| Pin | Signal Name              | Description   |
|-----|--------------------------|---|
| 1   | RX+ (LINE1+)†            | Receive high used with TRC desksets (TX and RX high for two-wire operation; RX high for four-wire operation)†                       |
| 2   | AUD_SHLD                 | Ground: audio or analog   |
| 3   | TX+ (LINE2+)†            | Transmit high used with all desksets (TX high for four-wire operation)†   |
| 4   | FILT_AUD<br>(DET_AUD)†   | RX filtered audio (RX detect or discriminator audio)†   |
| 5   | A+                       | +13.8VDC or battery voltage   |
| 6   | BUSY                     | Busy line of data bus; 5V logic   |
| 7   | BUS+                     | High side of bus data: 180° out of phase with BUS-; 5V logic  |
| 8   | UNAVAILABLE              | Not supported   |
| 9   | VIP OUTPUT 1             | Vehicle interface output port 1   |
| 10  | PTT*                     | Push-To-Talk initiates a transmission; 5V logic   |
| 11  | TX- (LINE2-)†            | Transmit low use with all desksets (TX low for four-wire operation)†  |
| 12  | DIG_GND                  | Ground for 5V logic signals   |
| 13  | VIP INPUT 1              | Vehicle interface input port 1  |
| 14  | REMOTE_RX+<br>(SPKR_HI)† | Remote deskset speaker high output ( <b>CAUTION: grounding this pin will result in damage to the radio</b> ) (Speaker high output)† |
| 15  | REMOTE_RX-<br>(SPKR_LO)† | Remote deskset speaker low output ( <b>CAUTION: grounding this pin will result in damage to the radio</b> ) (Speaker low output)†   |
| 16  | RX- (LINE1-)†            | Receive low used with TRC desksets (TX and RX low for two-wire operation, RX low for four-wire operation)†                          |
| 17  | TX_AUD (AUD_TX)†         | Transmit audio used for telephone interconnect  |
| 18  | VIP OUTPUT 3             | Vehicle interface output port 3   |
| 19  | BUS-                     | Low side of bus data: 180° out of phase with BUS-; 5V logic   |
| 20  | RESET                    | Data bus reset line; 5V logic   |
| 21  | 5V                       | 5V for logic circuits   |
| 22  | VIP INPUT 3              | Vehicle interface input port 3  |
| 23  | VIP OUTPUT 2             | Vehicle interface output port 2   |
| 24  | MONITOR*                 | Allows activation of monitor (used with MRTI telephone interconnect)  |
| 25  | SPKR_UNMUTE              | Signal indicating if the Consolette is receiving valid audio  |

**Notes:** \* indicates an active-low condition

† indicates TRC information

NC indicates Not Connected

## Accessory Connector 3

Table 9 contains pin descriptions for Accessory Connector 3. See Figure 4 on page 16 for pin locations on mating connector.


|   |  |
|---|--|
| <br><b>Caution</b> | <p>To avoid possible damage to external equipment and the Console, make sure equipment is connected to the proper accessory connector pins before applying power to the station.</p> |
|---|--|

Table 9. Accessory Connector 3 - Pin Descriptions

| Pin | Signal Name             | Description  |
|-----|-------------------------|--|
| 1   | RS232_RXD (NC)†         | RS232 receive data (pin not used on TRC)†                                |
| 2   | ANA_GND                 | Ground: audio or analog  |
| 3   | AUX_RX_AUD              | External SECURENET not supported by the Console                          |
| 4   | FILT_AUD (DET_AUD)†     | RX filtered audio (RX detect or discriminator audio)†                    |
| 5   | A+                      | +13.8 Vdc or battery voltage   |
| 6   | BUSY                    | Busy line of data bus; 5V logic  |
| 7   | BUS+                    | High side of bus data: 180° out of phase with BUS-; 5V logic             |
| 8   | BUS_SHLD                | Ground for data bus; logic ground  |
| 9   | VSENSE1 (RS232_RXD)†    | External SECURENET not supported by the Console (RS232 receive data)     |
| 10  | VSENSE1_SHLD            | Ground for VSENSE; analog ground   |
| 11  | TAPE_OUT                | Tape recorder audio output   |
| 12  | DIG_GND                 | Ground for 5V logic signals  |
| 13  | EMER                    | Activates emergency MDC1200 transmission                                 |
| 14  | RS232_TXD (NC)†         | RS232 transmit data (pin not used on TRC)†                               |
| 15  | RS232_RTS (NC)†         | RS232 request to send (pin not used on TRC)†                             |
| 16  | RS232_CTS (PS_AUD_OUT)† | RS232 clear to send (external SECURENET not supported by the Console)†   |
| 17  | AUX_TX_AUD              | External SECURENET not supported by the Console                          |
| 18  | SWB+                    | Switched +13.8 Vdc or battery voltage                                    |
| 19  | BUS-                    | Low side of bus data: 180° out of phase with BUS+; 5V logic              |
| 20  | RESET                   | Data bus reset line; 5V logic  |
| 21  | NC                      | Currently not used   |
| 22  | NC (RS232_TXD)†         | Pin not used on AIB (RS232 Transmit data)†                               |
| 23  | VSENSE2 (RS232_RTS)†    | External SECURENET not supported by the Console (RS232 request to send)† |
| 24  | VSENSE2_SHLD            | Ground for VSENSE; analog ground   |
| 25  | NC (RS232_CTS)†         | Pin not used on AIB (RS232 clear to send)†                               |

**Notes:** † indicates TRC information  
 NC indicates Not Connected

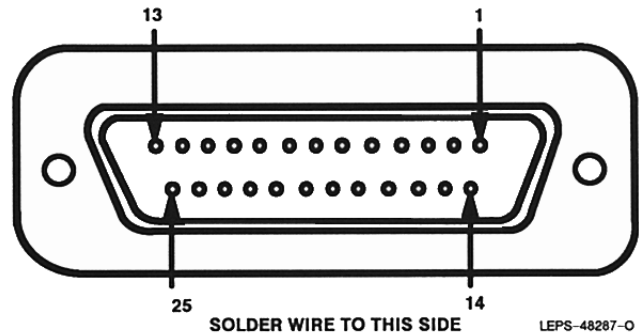


Figure 4. Accessory 2 and 3 Mating Connector

## Remote Control Installation

### Digital Remote Control Installation

This procedure is to be used for installation of the RCH3000 or MC3000 digital remote deskset. Make sure switches 1 and 7 of S101 on the audio interface board are in the ON position. Refer to the digital remote deskset manual for information regarding deskset operation. Table 10 lists the Accessory Connector 2 pins used for Digital Remote Control operation.

**NOTES:** All information, such as mode names, phone lists, call lists, and message names should be programmed in the ASTRO radio using Customer Programming Software (CPS).

External Alarms (Horn and Lights): The Consolette routes the VIP lines from the local control head in W7 models to the rear accessory connector of the Consolette for the External Alarm feature. Access to the VIP lines in W9 models is at the remote deskset. Consult the MC3000 manual for detailed information concerning configuration and support.

Table 10. Accessory Connector 2 Pins: Digital Remote Control Operation

| Pin Number | Signal Name |
|------------|-------------|
| 2          | AUD_SHLD    |
| 3          | TX+         |
| 6          | BUSY        |
| 7          | BUS+        |
| 11         | TX-         |
| 12         | DIG_GND     |
| 14         | REMOTE_RX+  |
| 15         | REMOTE_RX-  |
| 19         | BUS-        |
| 20         | RESET       |

**Tone Remote Control Installation**

**NOTE:** The Tone Remote Control Option (L146) must be ordered for this option to be available.

Tone remote desksets are to be connected to Accessory Connector 2 on the rear panel of the Console. See Figure 2 on page 6. Two-wire or four-wire operation is available. Two-wire operation uses Line1+ and Line1- for both receive and transmit audio. Four-wire operation uses Line 1+ and Line1- for receive audio and Line2+ and Line2- for transmit audio. The default setting for wireline operation is two-wire. Impedance flexibility of 600Ω or 900Ω between Line1+ and Line 1- is also provided. The default setting for impedance is 600Ω. For information regarding changing wireline operation or impedance, refer to Table 3 on page 10 for S100 and Table 4 on page 10 for S101. Refer to the applicable tone remote deskset manual for information regarding deskset operation. Table 11 indicates the Accessory Connector 2 pins used for tone remote control operation.

Table 11. Accessory Connector 2 Pins: Tone Remote Control Operation

| Pin Number | Signal Name |
|------------|-------------|
| 1          | LINE1+      |
| 3          | LINE2+      |
| 16         | LINE1-      |
| 11         | LINE2-      |

**TRC Adjustment Procedure**

Since the potentiometers are factory adjusted, the following information is for reference only.

**Transmit**

R529 is set fully clockwise, then turned counterclockwise one-half turn. This sets the AGC gain to somewhat less than maximum. If AGC is disabled with S100-4 set to the ON position, then R529 should be adjusted to obtain 0.7 VAC at TP1 when a 1 kHz audio signal is sent from the console.

A 120 mVrms, 1 kHz audio signal from a 600Ω source is applied to the Line 2+ and Line 2- input pins at Accessory Connector 2. The Console is placed in transmit and R569 is adjusted to obtain 3 kHz deviation.

**Receive**

While receiving a 1 kHz, 3 kHz deviation audio signal, R545 is adjusted for 0 dBm (775 mVrms) across a 600Ω load at Line1+ and Line1- output pins at Accessory Connector 2.

## Notes



## Introduction

This section explains the general operation of the ASTRO Spectra/Spectra Plus Console. For more detailed information about the ASTRO transceiver, refer to the applicable ASTRO Spectra/Spectra Plus operator's manual or service manual.

Provisions have been made for the connection of voice recorders to the ASTRO Spectra/Spectra Plus Console.

## General

The ASTRO Spectra/Spectra Plus Console consists of three major building blocks: the ASTRO transceiver, the Audio Interface or optional Tone Remote Control board, and the power supply. The Audio Interface board is standard for the Console. The Tone Remote Control board replaces the Audio Interface board when the L146 option is added. All other blocks contained within the Console are served by the three major building blocks shown in bold (see Figure 5).

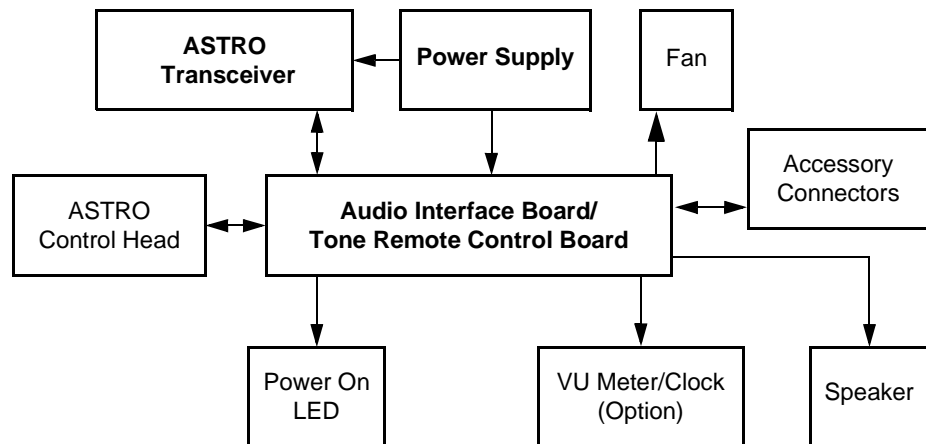


Figure 5. Console Block Diagram

Each major building block has its own unique function:


- Modulation, demodulation, and all other RF signal processing are performed by the ASTRO transceiver.
- All baseband signals being routed to and from the radio pass through the Audio Interface board or optional Tone Remote Control board. The board provides an interface for the ASTRO control head, speaker, accessory connectors, and other options.

## Theory of Operation: General

- The power supply converts AC power into DC power for use by the radio's transceiver and the Audio Interface board or optional Tone Remote Control board.

The ASTRO Spectra/Spectra Plus control head and speaker are present in all W7 models. W9 Digital Remote Control models do not have a control head or speaker. Refer to the appropriate ASTRO Spectra/Spectra Plus radio user's guide for information regarding the operation of the control head.

The accessory connectors (see Figure 2 on page 6) are used to connect external equipment to the Consolette. Accessory Connector 3 (top) is currently used for tape recorder audio out. Tone remote desksets or digital remote desksets should use Accessory Connector 2 (bottom). Accessory Connector 1 (RJ45) is used to connect to a Gold Series Elite Console via the ACIM.

|   |   |
|---|---|
|  <p><b>Caution</b></p> | <p>If any external equipment is inadvertently connected to the wrong accessory connector, damage to the equipment may result.</p> |
|---|---|

The optional VU meter/clock provides a transmit audio level indicator and a digital clock display. Power is provided to the VU meter/clock as soon as the Consolette is plugged into a live AC outlet.

A fan is provided with every Consolette. It circulates the air inside the Consolette to keep the internal ambient temperature at an acceptable level. It is important for the fan to be operating at all times to maintain proper Consolette operation. In addition, it is important to leave the top cover in place to maintain proper thermal conditions inside the Consolette.

The location of the control head, Power On LED, VU meter/clock, and speaker are indicated on the front panel of the station shown in Figure 6.



*Figure 6. Consolette Front Panel - Model W7*



*Figure 7. Consolette Front Panel - Model W9*

## Audio Interface Board

### ***General Description***

The TRN7391C Audio Interface board (AIB) serves as the central interface for all internal and external components of the ASTRO Spectra/Spectra Plus Consolette. All signals are routed through the AIB where processing may occur. Most audio paths incorporate some processing, while most control and data signals are passed unaltered.

Multiple transmit and receive audio paths provide for numerous configurations of the ASTRO Spectra/Spectra Plus Consolette. All audio signals passing through the audio interface board are baseband signals in the range of 300-3000 Hz.

Most data and control signals are provided by 0-5V protected CMOS logic circuitry. PTT\* and MONITOR\* are provided for external control of transmit and receive functions. The ASTRO radio Vehicle Interface Ports (VIPS) are also available at Accessory Connector 2 (W7 models only).

### ***Detailed Description***

#### Receive Audio Paths

Two sources from the ASTRO radio are used for receive audio. Detect audio (DET\_AUD) is located on J1 pin 17, and filtered audio (FILT\_AUD) is located on J1 pins 11 and 36. Both DET\_AUD and FILT\_AUD are at a fixed level (approx. 300 mVrms); however, DET\_AUD has a DC voltage level associated with it, while FILT\_AUD has no DC voltage. FILT\_AUD is also present at Accessory Connector 2 pin 4 and Accessory Connector 3 pin 4.

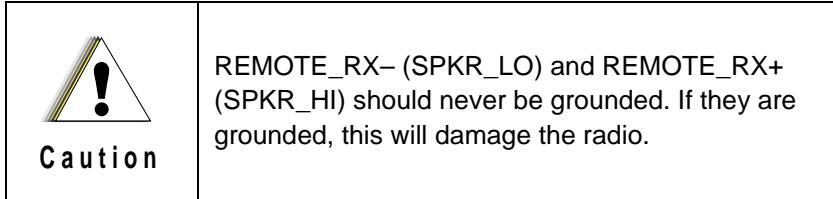
Detect audio (DET\_AUD) passes to the Audio Interface board via J1 pin 17 at a level of 300 mVrms, relative to a 1.0 kHz tone at 60% FSD. It is then amplified by U102 pins 8, 9, and 10 and the level set by potentiometer R111. The level should be set to attain 1.0 Vrms between RX+ and RX- (Accessory Connector 2 pins 1 and 16, respectively). The audio then passes through an audio shaping filter (U102 pins 12, 13, and 14), which has unity gain for frequencies below 3000 Hz. The output of the audio shaping filter (U102 pin 14) is split into opposing phases by U102 pins 1, 2, 3, 5, 6, and 7 to provide a balanced output. Q103 and Q104 provide a final amplification stage. The impedance between RX+ and RX- can be set to 600 $\Omega$  or 900 $\Omega$  using S101-4 and 5. See Table 1 on page 9.

When the radio is in an idle state, the DET\_AUD line of the ASTRO Digital transceiver is muted using the U107 op-amp circuit in combination with multiplexor U106. U107 compares the voltage level of the SPKR\_HI line (U107 pin 3) to a fixed DC voltage level of 4V (U107 pin 2). When the mobile radio routes received audio to the speaker, the SPKR\_HI line measures approximately 6 Vdc. This causes the output of U107 to activate transistor Q101 connected to control input A of the two-input multiplexor (U106 pin 11). When Q101 is active, U106 allows DET\_AUD to be passed to the receive audio circuitry. When Q101 is inactive, the receive audio path is muted.

Receive audio is also routed from U106 gate 1 to buffer amplifier U101 op-amp 4 (MOB\_RX). The output of this buffer drives the TAPE\_OUT line at approximately 190 mVrms, which is used for external recording purposes.

## Theory of Operation: Audio Interface Board

Speaker audio is available at Accessory Connector 2, pins 14 and 15 (REMOTE\_RX+ and REMOTE\_RX-, respectively) for use with Digital Remote Control models. Speaker audio level is factory set but can be adjusted using Customer Programming Software. An array of resistors capable of dissipating 10 watts provides a 16 $\Omega$  impedance for the desksets. To enable this audio output, S101-7 must be ON.



## Transmit Audio Paths

There are three main paths for transmit audio. All of these paths pass through transmit audio summing amplifiers (U101 pins 8, 9, and 10). The output of the summing amplifier (U101 pin 8) following AC-coupling capacitor C101 is fed into the ASTRO radio microphone input at J1 pin 23 and J1 pin 48. The level of this signal should be 90 mVrms relative to a 1.0 kHz tone at 60% FSD.

Local microphone audio passes through the control head to J2 pin 30. The microphone audio is biased and passed through the summing amplifier with unity gain. This path has an impedance of 600 $\Omega$ .

A differential transmit path is available at Accessory Connector 2 pins 3 and 11 (TX+ and TX-, respectively) with an impedance of 1.0k $\Omega$ . This signal is combined at U101 pins 2 and 3 into a linear signal at U101 pin 1 and then routed through the transmit audio summing amplifier with a gain of +6 dB.

A linear transmit audio path is provided at Accessory Connector 2 pin 17 (TX\_AUD). This transmit path has an impedance of 600 $\Omega$  and unity gain through the transmit summing amplifier.

Transmit audio taken from the MIC\_HI line is routed to the tape recorder output based on the jumper position at header J14. TX audio is routed to the tape recorder output at approximately 90 mVrms when the jumper is in the A-B position. If the jumper is moved to the B-C position, TX audio is not routed to the tape recorder output. (The TX and RX audio measurements were made relative to a 1 kHz tone at 60% FSD.)

Transmit audio is routed to the VU meter/clock (option L114) with a gain of +14dB.

## Control and Data Paths

The Audio Interface board is transparent to all control and data lines except the data bus lines, MONITOR\*, EMER (Emergency), and SPKR\_UNMUTE. The amount of gain developed by U105 is determined by the current requirements of the remote desksets. Each op-amp on the BUS+, BUS-, and BUSY lines compares the voltage drop between the + and - inputs. The resulting amplified signal is further amplified by the transistor following each op-amp.

MONITOR\* is presented to the radio with S101-6 OFF. See Table 1 on page 9. The monitor function is available at the control head.

EMER (Emergency) is available at Accessory Connector 3 pin 13. When triggered, the radio will broadcast an emergency signal (refer to the ASTRO

Spectra/Spectra Plus radio user's guide). S101-3 determines the method in which the emergency is triggered.

SPKR\_UNMUTE is available at Accessory Connector 2 pin 25 as an output to provide an indication to accessories when the radio is receiving valid audio and the speaker is unmuted. This signal is configurable for either active-high or active-low operation using jumper J15. See Table 2 on page 9. When configured for active-high, the emitter of Q101 is used to determine the state of the speaker. (If the voltage of the emitter of Q101 is high, the speaker is unmuted; if the voltage here is low, the speaker is muted.) Similarly, if active-low is selected, the collector of Q102 is used to determine the state of the speaker. (If the voltage at the collector of Q102 is high, the speaker is muted; if the voltage here is low, the speaker is unmuted.) Typically, this signal is known as COR (Carrier-Operated Relay).

---

## Tone Remote Control Board

**NOTE:** For the ASTRO Spectra/Spectra Plus Consolette to work properly with the Tone Remote Control (TRC) option, several codeplug parameters must be properly set using the ASTRO mobile CPS. The TRC option must be enabled, and "HUB defeats PL" must be selected. For instructions on setting these parameters, see the ASTRO mobile CPS manual.

### *General Description*

Tone Remote Control (TRC) allows control of a Consolette from a remote location using a pair of wires (wireline) which need not have DC continuity. Control is accomplished using a tone remote control console that sends a sequence of control tones that are interpreted by the Consolette. A Consolette function normally corresponds to a function tone (FT) of a predefined frequency. All function tones must be preceded by a high-level guard tone (HLGT—usually 2175 Hz), which alerts the Consolette for a sequence of one or more function tones. On two-wire operation, receiver audio is muted when HLGT is detected, so there will be no interfering audio signals on the wireline when the function tones are being received. Upon receipt of the function tone(s), the appropriate functions (are) executed by the Consolette. An example might be the monitor function, which disables receiver PL; the monitor function tone frequency is usually designated 2050 Hz. See Table 12 on page 24 for function tone descriptions.

Receiver audio is gated through the radio and passed through a guard tone notch filter on the TRC board. This processed audio is then filtered and applied to the phone line. Transmit audio passes through a sample-and-hold AGC circuit, a guard tone notch filter, and then to the radio to transmit. Audio coming from the wireline is also passed through a bandpass filter that is centered at the guard tone frequency. This audio is then routed to the microprocessor (U123) to be decoded.

Figure 8 illustrates the sequence of tones involved in a line push-to-talk (LPTT) function. In such a case, the function tone must be defined as a transmit function on a certain mode (that is, 1950 Hz is usually defined as the function tone for keying on mode 1). If an LPTT function tone is sent, the remote control console follows the function tone with a continuous low-level guard tone (LLGT), which is at the same frequency as the HLGT, but at an amplitude 30 dB lower. LLGT is a pilot tone that is present, along with the transmitted audio, for the duration of the transmission. At the end of the transmission, the Consolette dequeys after the LLGT is no longer detected.

**Theory of Operation: Tone Remote Control Board**

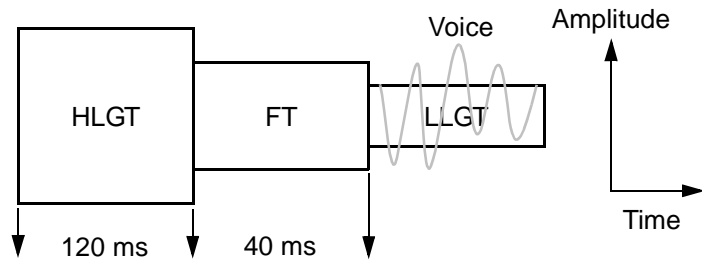


Figure 8. Remote Key-Up

Table 12. TRC Function Tone Descriptions

| Function Tone | Tone Table Description |                   |                     |                     |                     |
|---------------|------------------------|-------------------|---------------------|---------------------|---------------------|
|               | 0000 - Standard Table  | 0001 CentraCom II | 0010 No Mode Select | 0011 Mode 1 Only    | 0100 No Mode 1      |
| 2175 Hz       | Guard Tone/PTT         | Guard Tone/PTT    | Guard Tone/PTT      | Guard Tone/PTT      | Guard Tone/PTT      |
| 2050 Hz       | Monitor                | Monitor           | Monitor             | Monitor             | Monitor             |
| 1950 Hz       | Mode 1 Select          | Mode 1 Select     | No effect           | Mode 1 Select       | Mode 2 Select       |
| 1850 Hz       | Mode 2 Select          | Mode 2 Select     | No effect           | No effect           | Mode 2 Select       |
| 1750 Hz       | Mode 7 Select          | Mode 7 Select     | No effect           | No effect           | Mode 7 Select       |
| 1650 Hz       | Mode 8 Select          | Mode 8 Select     | No effect           | No effect           | Mode 8 Select       |
| 1550 Hz       | Mode 5 Select          | Mode 5 Select     | No effect           | No effect           | Mode 5 Select       |
| 1450 Hz       | Mode 6 Select          | Mode 6 Select     | No effect           | No effect           | Mode 6 Select       |
| 1350 Hz       | Mode 3 Select          | Mode 3 Select     | No effect           | No effect           | Mode 3 Select       |
| 1250 Hz       | Mode 4 Select          | Mode 4 Select     | No effect           | No effect           | Mode 4 Select       |
| 1150 Hz       | Secure Coded Select    | Mode 5 Select     | Secure Coded Select | Secure Coded Select | Secure Coded Select |
| 1050 Hz       | Secure Clear Select    | Mode 6 Select     | Secure Clear Select | Secure Clear Select | Secure Clear Select |

0 indicates OFF state of S100 (8-5)

0101-1111 indicates same as Standard Table

1 indicates ON state of S100 (8-5)

During an LPTT function, the LLGT is removed from the transmitted audio path by a notch filter on the TRC board. This notch filter is tuned to the guard tone frequency (2175 Hz).

When not in the LPTT mode, the TRC board accepts receiver audio from the ASTRO radio, passes it through a notch filter (tuned to guard tone), and then through a line driver for transmission down the wireline to the remote console. The receive notch filter prevents false HLGT detection due to possible receiver audio components near the guard tone frequency (since on a two-wire board, receiver audio output and transmit audio/tone inputs are tied together at the wireline).

## Detailed Description

### Control Point Monitor

The ASTRO Spectra/Spectra Plus Console with the TRC option (L146) supports Control Point Monitor as defined by the FCC. The local Console speaker will unmute for remote audio that is being passed from the remote device to the Console to be transmitted. When the local microphone is keyed, the local speaker will be muted to voice audio. In addition, audio from the local microphone that is to be transmitted by the Console is routed, via the wireline interface, to the remote device. (This is not needed for FCC Control Point Monitor and can be disabled by S100-2.)

When the ASTRO Spectra/Spectra Plus Console with the TRC option is being used by both a local and a remote user at the same time, situations arise in which one user has priority over the other. The following cases describe the effect of dual interaction:

- If the remote user performs a push-to-talk (PTT) while the local user is already keyed, the remote user's audio will be transmitted with the encryption state that the local user has selected. This is only the case if the remote user requested a PTT on the same channel that was selected by the local user. If the remote user requested a PTT on a different channel than what was selected by the local user, the Console will dekey and a "bad" alert tone will be heard by both users until both PTTs are released.
- If the remote user attempts to change channels while the local user is keyed, the Console will dekey and a "bad" alert tone will be heard until the local user releases the PTT.
- All attempts by the remote user to change the state of encryption are ignored if the local user is already keyed.
- If the local user performs a PTT while the remote user is already keyed, the local user's audio will be transmitted on the channel that the remote user has selected with the encryption state that the remote user has selected.
- If the local user attempts to either change channels or the state of encryption while the remote user is keyed, the Console will dekey and a "bad" alert tone will be heard until the remote user releases the PTT.

### Receive Audio Path

Audio from the receiver, as well as the various tones produced from the mobile (that is, keyfail tones and button-press "beeps"), are gated through the ASTRO transceiver and sent to the TRC board via a ribbon cable that plugs into J1 pin 42 (DET\_AUD). Audio coming from the transceiver should measure approximately 300 mVrms.

DET\_AUD from the ASTRO transceiver is always passed through U116 gate 2 (S100-1 is always OFF for the Console). Audio at U116 pin 14 should measure approximately 90 Vrms. Receive audio then passes through the muting gate (U116 gate 1), controlled by RX\_MUTE. Receive audio muting is controlled by the microprocessor (U123 pin 36), which toggles the RX\_MUTE output line. When HLGT is detected or an LPTT is in progress, the receiver audio will be muted. This gate is also muted for a local PTT in order to block ASTRO noise at the DET\_AUD line from entering the wireline.

The audio is passed through buffer amplifier U105 op amp 3 and then notched at the guard tone frequency (2175 Hz) by hybrid HY2 filter 1. This hybrid

## Theory of Operation: Tone Remote Control Board

contains an MF10 dual switched capacitor filter and a dual op-amp for summing purposes. The notch filter is formed by summing together the high-pass and low-pass outputs of the filter IC. The MF10s on both HY1 and HY2 require a high-frequency clock input that is derived from a divider circuit (U127 and U129) and the MPU "E" clock. The output of the clock divider circuit (FILTER CLK) is a 110.4 kHz square wave that is used by the MF10s to create the filters. The purpose of the notch filter is to notch out the guard tone frequency area of the voice spectrum prior to transmission across the wireline.

The receive notch filter has a gain of 0 dB at 1 kHz. At the 2175 Hz notch frequency the response is -35 dB, relative to 1 kHz. To allow the slight drifting of the guard tone frequency due to wireline translation, the filter must guarantee 30 dB of attenuation at  $\pm 5$  Hz from the center frequency. The filter has a "Q" of 3.8 in order to remove all voice components in the guard tone frequency range before reaching the wireline. Without this protection, false guard tone detects by the TRC board would be inevitable, since the audio leaving the TRC board is up to 20 dB higher than that arriving to make up for wireline attenuation.

The output of the notch filter passes through another muting gate (U114 gate 2). This audio path is always closed when the Consolette is receiving. Local microphone audio and trunking tones also share this audio path to the console. During local PTT this gate can be used to mute local audio on the receive path (see "Transmit Audio Path" on page 26).

Receive audio is also routed from U116 gate 1 to buffer amplifier U106 op amp 4 (MOB\_RX). The output of this buffer drives the TAPE OUT line, which is used for external recording purposes.

The line-adjust circuit (U111 op amp 3 and R545) allows the notched audio level to be adjusted via R545. By varying R545, you can adjust the audio level to the line. This allows you to compensate for line losses to obtain the desired audio levels. The adjusted audio is then sent through an audio-shaping filter (U111 op amp 4). This filter is a unity-gain, low-pass filter with a corner frequency of 3 kHz.

The output of the line audio-shaping filter is split into opposing phases in the line driver circuit (U111 op amps 1 and 2, Q114 and Q115), where the receiver audio is applied to the line transformer and the phone line. With two-wire selected, the line driver audio is also applied to the input of the transmit audio/tones detection path through T100-6. A portion of the line driver audio is also fed into the input amplifier of the transmit audio/tone detection path, via U111 op amp 2 and S101-7,8; this audio is approximately 180° out of phase with the received audio at T100. This is done in order to, at least partially, cancel the receive audio so that a tone from a control console may be more easily detected in the presence of receiver audio. With four-wire selected, this cancellation is not necessary and S101-7 should be open and S101-8 should be closed.

## Transmit Audio Path

Wireline audio originating from a console to be transmitted over the air is applied to the wireline interface network. The wireline interface network consists of T100 (two-wire operation), T1610 (four-wire operation), U110, and other discrete components. The purpose of this circuitry is to match the impedance of the TRC board to that of the wireline (T100, T1610, S101), block any DC components between the TRC board and the wireline (C502, C501), and provide protection from surges on the line (E1, E2).



## Theory of Operation: Tone Remote Control Board

The input from the phone line is applied to U112 op amp 1 pin 2, along with the line driver audio-canceling voltage (described previously) via S101-7 and S101-8. The gain of U112 op amp 1 is controlled by FET transistor Q113. The lower the DC gate voltage on Q113, the higher the gain, since a more negative gate voltage tends to turn off the FET, creating maximum feedback resistance across pins 1 and 2 of U112 op amp 1. The AGC potentiometer (R529) sets the maximum gain point of the AGC. Normally, the potentiometer setting allows input signals as low as -35 dBm to achieve full deviation. After the AGC circuit, the audio is amplified by a factor of 20 (U112 op amp 4) and is sent to the transmit guard-tone notch filter (HY2 filter 2).

The transmit guard-tone notch filter is formed by summing the two outputs of the hybrid in the same manner as the receive notch filter previously discussed. This filter notches out the guard-tone frequency area of the voice spectrum before sending the audio to the radio to be transmitted. The notch filter's high "Q" of 5.8 ensures removal of the guard-tone frequency component without affecting the adjacent voice energy in the audio signal being transmitted.

The filtered audio level is adjusted by potentiometer R569 to set the transmitted deviation. The audio is routed through buffer amplifier U105 op amp 4 and then (via TX\_AUDIO) into amplifier U110 op amp 1, after which it is sent to the ASTRO transceiver to be transmitted. The audio is also passed to buffer amplifier U106 op amp 2. The output of this buffer drives the TAPE OUT line, which is used for external recording purposes.

The filtered audio is also passed to amplifier U106 op amp 1, whose gain is set by digital potentiometer U107. The audio is passed to the AUX\_RX\_AUD input of the radio, where it is then output to the local speaker.

Audio tones associated with trunking operation are generated locally on the TRC board. They originate from the microprocessor (U132 pin 38) and are filtered by low-pass filter U106 op amp 3. The filtered tones are then sent to buffer amplifier U105 op amp 3 to be sent down the wireline to the remote speaker.

Local microphone audio (MIC\_AUDIO) is passed to buffer amplifier U105 op amp 2. It is then sent down the wireline allowing local transmit audio to be monitored at the remote unit. If it is desired to prevent local audio (audio not received by the radio) from being routed to the remote speaker via the wireline, place S100-2 to the ON position. This will cause microprocessor U123 pin 35 (WL MUTE) to be asserted, opening the wireline path at U114 gate 2 for local microphone audio, local trunking tones, and locally generated beeps. Local microphone audio is also passed through buffer amplifier U105 op amp 1 to TX\_AUDIO to the transmitter

### Tone Processing Section

Inputs to this section originate from TP1 (the output of U112 op amp 4) in the wireline transmit audio path. When looking for guard tone (standby operation), the audio is selected by U114 gate 1 to be routed through the guard tone bandpass filter and then sent to the filter/limiter. After high-level guard tone (HLGT) has been detected, U114 gate 1 is toggled to allow audio to bypass the bandpass filter. This permits unfiltered audio to be decoded and allows for proper identification of the function tones.

The limiter consists of a gain stage (U112 op amp 3), which also provides some broadband filtering, followed by a limiter stage that converts the signal to a square wave. The output of U112 op amp 2 drives transistor Q116. This transistor provides an input to the microprocessor's Input Capture (U123

## Theory of Operation: Tone Remote Control Board

pin 41). The input to this pin is a 0-5V peak-to-peak square wave. The frequency of the square wave depends on the particular guard/function tone being sent. The microprocessor determines which tone is being sent and then takes the corresponding actions.

### AGC Circuit Operation

The output of U112 op amp 4 feeds reference comparators (U117 op amps 2, 3, and 4) of the AGC circuit. If the peak voltage at the input exceeds the threshold of U117 op amp 4 (+5.8V) in the positive direction, the output of U117 op amp 4 pulses high, causing current to pass through R510 and charge C506 via D1012. Similarly, if the peak minimum voltage at the input dips below the threshold of U117 op amp 3 (+3.6V), U117 op amp 3 will allow a pulse of current to pass through R509 to charge C506 via D1013. As C506 charges, the DC voltage on the gate of Q113 rises. This rise in gate voltage on Q113 will reduce the drain-source resistance and hence the gain of U112 op amp 1. This in turn will reduce the output of the AGC circuit. This output is again used to feed the comparators, and the process continues until the voltage is just equal to the threshold of U117 op amp 4 minus the threshold of U117 op amp 3, or 2.2V peak-to-peak.

The “sample-and-hold” action of the AGC occurs when a new HLGT is received. Upon detection of HLGT by the microprocessor (U123 pin 41), the AGC\_RESET\* line (which has been low when no LPTT was present) and the TONE detect line will go high (approximately 5V). This action will cause the gain of Q113 to rapidly increase (C503 is placed parallel with the smaller C506, reducing the gate voltage on Q113), and also turns Q110 off to allow a higher gain in the U112 op amp 1 stage. This action will momentarily cause a rise in the AC voltage level on TP1 above the usual compression point of 0 dBm. During the time that the peak voltage on TP1 is more than 0.7V higher than the 1.1V peak (0 dBm) threshold, comparator U112 op amp 2 and Q116 are actuated to provide faster than normal attack (gain reduction) time. In this manner, the gain is always reset to maximum at the beginning of a new line push-to-talk, and then is reduced as required until the HLGT is at 0 dBm (which is the AGC compression point) as measured on TP1. This ensures full deviation, regardless of the amplitude of any audio signal on the line just prior to the line push-to-talk.

During an LPTT function, the Auto Level Control (ALC) action of the AGC causes the gain to freeze for the duration of LLGT. This will preserve the natural characteristics of the speech without producing any pumping effects.

In extreme cases where the audio signal received at the Consolette is unusually low (due to very long lines or other attenuating factors), the AGC action of the TRC board may be inhibited, yielding slightly more gain. Switch S100-4, when set to the ON position, will disable the AGC circuitry. Absolute gain and transmit deviation is then adjustable by potentiometers R529 and R569, respectively. This option is NOT recommended because the Low-Level Guard Tone (LLGT) may already be too low to be detected and thus the Consolette will not transmit.

### Power Distribution

A+ is routed to the TRC board from the power supply through J11. This connection provides ignition sense to the control head and the mobile. When S101-1 is in the ON position, A+ is immediately sourced from the power supply to the SWB+ connections of the mobile, control head, and TRC board. When S101-1 is in the OFF position, the user must enable power at the front of the control head. SWB+ is then sourced from the control head to the mobile and to the TRC board.

On the TRC board, A+ is converted to regulated 9.6V through U100. From this 9.6V source, several comparator voltages are produced. SWB+ is routed to a 5V regulator (U132) on the TRC board, which provides regulated 5V to all of the logic ICs.

One exception to the IC power distribution is the Serial I/O IC (U131). This IC needs to be powered at all times, regardless of the state of S101-1. A+ is routed to U131, as well as a continuous 5V source from the regulated 9.6V source.

### Input/Output Control Definitions

**AGC\_INHIBIT\***—This signal is generated by the microprocessor (U123) through the latch (U124 pin 14). It is used to disable the AGC circuit of the TRC.

**TONE\_DETECT**—This signal is generated by the microprocessor (U123) through the latch (U124 pin 12). It is toggled from low(0V) to high(5V) when a guard/function tone is successfully detected. This line provides a discharge path between C503 and C506, which varies the gain of the AGC circuit.

**LPTT\***—This signal is generated by the microprocessor (U123) through the latch (U124 pin 19). It is high during an LPTT to provide additional gain for LLGT. This additional gain improves the accuracy of the tone decoding process.

**GT/FT\***—This signal is generated by the microprocessor (U123) through the latch (U124 pin 17). During the detection of guard tone, the bandpass filter is switched into the path of the audio. This allows isolation of the 2175 Hz signal and provides more accurate decoding. Once the guard tone has been detected, the signal line goes low. This switches the bandpass filter out of the path to allow the function tone(s) to pass to the limiter/decoder undisturbed.

**RX\_MUTE**—This signal is generated by the microprocessor (U123 pin 36). It is used to mute receiver audio (DET\_AUD) when an HLGT has been detected or an LPTT is in progress. DET\_AUD is also muted during a local PTT to block ASTRO noise from entering the wireline.

**WL\_MUTE**—This signal is generated by the microprocessor (U123 pin 35). It is used to mute the wireline during a remote PTT, and when S100-2 is in the ON position (mute local audio and local trunking tones).

**AGC\_RESET\***—This signal is generated by the microprocessor (U123) through the latch (U124 pin 16). It is used to provide an additional discharge path for C503 and C506 (changing the feedback path of U112A in the AGC circuit). Upon detection of HLGT by the microprocessor, the AGC\_RESET line will go high. AGC\_RESET will go low at the end of LPTT.

**SPKR\_UNMUTE**—This signal is available at Accessory Connector 2 pin 25 as an output to provide an indication to accessories when the radio is receiving valid audio and the speaker is unmuted. This signal is configurable for either active high or active low operation using Plug P102. See Table 6 on page 11. When configured for active high, the emitter of Q117 is used to determine the state of the speaker. (If the voltage at Q117's emitter is low, the speaker is muted, and if the voltage here is high, the speaker is unmuted.) Similarly, if active low configuration is selected, the collector of Q118 is used to determine the state of the speaker. (If the voltage at Q118's collector is low, the speaker is unmuted, and if the voltage here is high, the speaker is muted.)

**Theory of Operation:** Tone Remote Control Board

**Smart Modem Protocol (SMP) Control**

The ASTRO Tone Remote Control Board also provides an RS232 port through which the Consolelette communicates with an ASTRO Console Interface Module (ACIM) using the Smart Modem Protocol (SMP).

**NOTE:** For correct operation, the ACIM must be connected to a Gold Series Console programmed with System 3.0 Conventional or later.

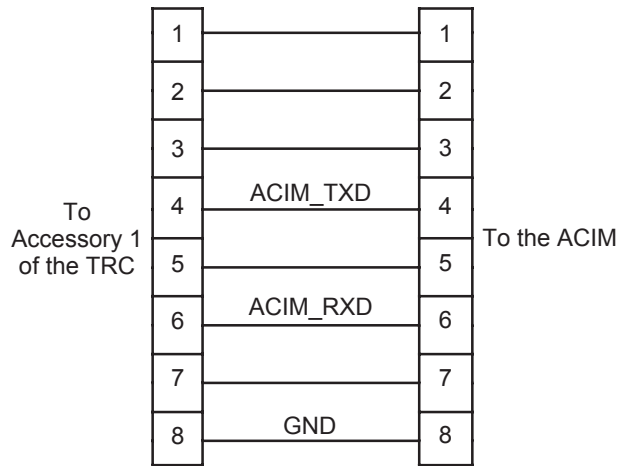
Depending on the setting of S100-3, the operation of the Tone Remote Control board can vary as follows:

**S100 Pin 3 ON—Tone Remote Control**

In this setup, the Consolelette can only be controlled remotely by a tone remote deskset, via the wireline, as described in “General Description” on page 23 under “Tone Remote Control Board.” The Consolelette will report both PTT-IDs and Call Alert IDs, when applicable, to Accessory Connector 1 (J13). See Table 13. For a list of supported IDs, see Table 14 on page 31.

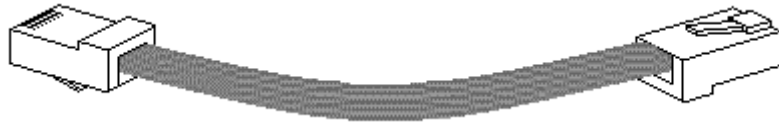
*Table 13. Accessory Connector 1 (J13)*

| J13 Pin Number | Signal   |
|----------------|----------|
| 1              | N/C      |
| 2              | N/C      |
| 3              | N/C      |
| 4              | ACIM_TXD |
| 5              | N/C      |
| 6              | ACIM_RXD |
| 7              | N/C      |
| 8              | GND      |



MAEPF-27878-O

*Figure 9. TRC to ACIM Cable Diagram*



MAEPF-27879-O

Figure 10. TRC to ACIM Cable Orientation (not provided by Motorola)



Table 14. Supported IDs

|                            | Call Alert   | PTT-ID       | Emergency Call PTT-ID | Emergency Alarm PTT-ID |
|----------------------------|--------------|--------------|-----------------------|------------------------|
| Analog Conventional        | Not Reported | Not Reported | Not Reported          | Not Reported           |
| Analog Trunked             | Reported     | Not Reported | Not Reported          | Not Reported           |
| APCO Conventional          | Reported     | Reported     | Reported              | Not Reported           |
| APCO Trunked (3600 & 9600) | Reported     | Reported     | Reported              | Not Reported           |


S100-3 OFF—SMP Control

In this setup, the Console can only be controlled remotely by the Gold Series Console via Accessory Connector 1 (J13). The Console will report both PTT-IDs and Call Alert IDs, when applicable, to Accessory Connector 1. See Table 13 on page 30. For a list of supported IDs, see Table 14 on page 31.

As with Tone Remote Control, the Gold Series Console (using Smart Modem Protocol) can command the Console to do the following:

- Change modes (the number depends on console support)
- Enable/disable encryption
- Enable/disable monitor
- PTT with positive mode

Audio routing to and from the Console continues to pass down the wireline. See “Receive Audio Path” on page 25 and “Transmit Audio Path” on page 26 for audio routing details.

|   |  |
|---|--|
|  <p><b>Caution</b></p> | <p>Do not connect anything to Accessory Connector 1 other than the supported ACIM connection. Damage could occur to the Consolette and unsupported external devices.</p> |
|---|--|

---

## Power-Up

The ON/OFF power button located on the ASTRO Spectra/Spectra Plus control head is disabled before shipment. Therefore, the station is immediately operational when its power cord is plugged into a live AC outlet. To enable the ON/OFF power button on the control head, refer to the information in “DIP Switch and Jumper Settings” on page 8 of this manual. Please note that the ON/OFF power button on the control head controls the power to the control head only. For W9 model Consolettes (Digital Remote Control), no control head is present and the station will become immediately operational when its power cord is plugged into a live AC outlet.

Once the station is powered, the Power On LED should light up, and the station should be ready to receive or transmit.

---

## Receive

Since there can be various configurations of the Consolette depending upon the user's requirements, no detailed receive operating instructions will be given in this section. However, detailed operating instructions can be found in the ASTRO Spectra/Spectra Plus radio user's guide. For information regarding remote control deskset operation, refer to the applicable instruction manual.

---

## Transmit

Since there can be various configurations of the Consolette depending upon the user's requirements, no detailed transmit operating instructions will be given in this section. However, detailed operating instructions can be found in the ASTRO Spectra/Spectra Plus radio user's guide. For information regarding the operation of the digital remote deskset, refer to the applicable instruction manual.

**NOTE:** Each Consolette is shipped with the Emergency (Emer) button disabled. Use the current version of the ASTRO CPS to enable the Emergency button, if desired.

---

## Power-Up Self-Check Errors

Each time the radio is turned on, the MCU and DSP perform some internal diagnostics. These diagnostics consist of checking the programmable devices such as the FLASH ROMs, internal and external EEPROMs, SRAM devices, and ADSIC configuration bus checksum. At the end of the power-up self-check routines, if an error exists, the appropriate error code is shown on the display. Self-test errors are classified as either “fatal” or “non-fatal.” Fatal errors will inhibit user operation; non-fatal errors will not. For non-display radios, the error codes may be read using the Customer Programming Software (CPS) from the universal connector at the rear of the ASTRO Spectra or Spectra Plus Transceiver.

Table 15. ASTRO Spectra Console Power-Up Self-Check Error Codes

| Error Code | Description  | Troubleshooting Chart |
|------------|--|-----------------------|
| 01/02      | External EEPROM checksum non-fatal error                                   | See Note 1            |
| 01/81      | ROM checksum failure   | See Note 1            |
| 01/82      | External EEPROM checksum failure   | See Note 1            |
| 01/84      | EEPROM is blank  | See Note 1            |
| 01/88      | RAM failure — <b>Note:</b> Not a checksum failure                          | See Note 1            |
| 01/90      | General hardware failure   | See Note 1            |
| 01/92      | Internal EEPROM checksum failure   | See Note 1            |
| 02/81      | DSP ROM checksum failure   | See Note 1            |
| 02/82      | DSP RAM 1 failure  | See Note 1            |
| 02/84      | DSP RAM 2 failure  | See Note 1            |
| 02/88      | DSP RAM failure — <b>Note:</b> Not a checksum failure                      | See Note 1            |
| 02/90      | General DSP hardware failure (DSP start-up message not received correctly) | See Note 1            |
| 02/A0      | ADSIC checksum failure   | See Note 1            |
| 09/10      | Secure option not communicating with radio                                 | See Note 1            |
| 09/90      | Secure hardware failure  | See Note 1            |
| 1C/10      | TRC option not communicating with radio                                    | See Note 2            |
| 1C/81      | TRC ROM checksum failure   | See Note 3            |
| 1C/82      | TRC configuration register corrupted                                       | See Note 3            |
| 1C/88      | TRC RAM failure — <b>Note:</b> Not a checksum failure                      | See Note 3            |

Table 16. ASTRO Spectra Plus Consolette Power-Up Self-Check Error Codes

| Error Code | Description  | Troubleshooting Chart |
|------------|--|-----------------------|
| 01/02      | FLASH ROM Codeplug Checksum Non-Fatal Error                                | See Note 1            |
| 01/12      | Security Partition Checksum Non-Fatal Error                                | See Note 1            |
| 01/20      | ABACUS Tune Failure Non-Fatal Error  | See Note 1            |
| 01/22      | Tuning Codeplug Checksum Non-Fatal Error                                   | See Note 1            |
| 01/81      | Host ROM Checksum Fatal Error  | See Note 1            |
| 01/82      | FLASH ROM codeplug Checksum Fatal Error                                    | See Note 1            |
| 01/88      | External RAM Fatal Error — <b>Note:</b> Not a checksum error               | See Note 1            |
| 01/90      | General Hardware Failure Fatal Error                                       | See Note 1            |
| 01/92      | Security Partition Checksum Fatal Error                                    | See Note 1            |
| 01/93      | FLASHport Authentication Code Failure                                      | See Note 1            |
| 01/98      | Internal RAM Fail Fatal Error  | See Note 1            |
| 01/A2      | Tuning Codeplug Checksum Fatal Error                                       | See Note 1            |
| 02/81      | DSP ROM Checksum Fatal Error   | See Note 1            |
| 02/88      | DSP RAM Fatal Error — <b>Note:</b> Not a checksum failure                  | See Note 1            |
| 02/90      | General DSP hardware failure (DSP start-up message not received correctly) | See Note 1            |
| 09/10      | Secure option not communicating with radio                                 | See Note 1            |
| 09/90      | Secure hardware failure  | See Note 1            |
| 1C/10      | TRC option not communicating with radio                                    | See Note 2            |
| 1C/81      | TRC ROM checksum failure   | See Note 3            |
| 1C/82      | TRC configuration register corrupted                                       | See Note 3            |
| 1C/88      | TRC RAM failure— <b>Note:</b> Not a checksum failure                       | See Note 3            |

In the case of multiple errors, the codes are logically OR'd and the results displayed. As an example, in the case of an ADSIC checksum failure and a DSP ROM checksum failure, the resultant code would be 02/A1.

**NOTES:**

1. Refer to the ASTRO Spectra Plus Detailed Service Manual, Motorola Publication 68P81076C25-D, for troubleshooting charts and information.
2. Refer to the “Consolette Does Not Work Troubleshooting Chart” on page 53 in this manual.
3. For hardware failure with the TRC option, please contact an authorized service shop for repair.



---

## Alignment

The advanced design and manufacturing techniques eliminate the need for traditional tuning tasks for the ASTRO Spectra/Spectra Plus transceiver. All circuits in the transceiver have been aligned at the factory with specialized equipment. Alignment in the field should not be necessary or attempted.

---

## Programming

### *Codeplug Programming*

Configuration items for field programming of the ASTRO Spectra/Spectra Plus Consolette are shown in Table 16 on page 34. It is important to note that the field programming setup connects directly to the ASTRO transceiver and not to the accessory connectors on the rear panel of the Consolette. Therefore, the first step in programming the codeplug of the Consolette is to remove the top cover. See “Disassembly and Reassembly” on page 38 for cover removal and replacement instructions. Once the top cover has been removed, the ASTRO Spectra/Spectra Plus transceiver can be connected to a PC.

There are two different methods by which the ASTRO transceivers are connected to the PC, based on whether it is an ASTRO Spectra or ASTRO Spectra Plus model. The ASTRO Spectra transceiver is connected to the PC using a Smart Radio Interface Box (RLN1015). The Smart Radio Interface Box is connected to the 15-pin accessory connector on the rear of the ASTRO Spectra transceiver via the ASTRO Spectra Interface cable (30-80369B73), and to the PC via an IBM PC-AT Computer Interface Cable (30-80369B72). See Figure 11 on page 36. The ASTRO Spectra Plus transceiver is connected directly to the PC using the HKN6155 Programming/Flash cable connected to the microphone connector on the front panel of the transceiver. See Figure 12 on page 36. Prior to programming, make certain that external equipment is disconnected from the accessory connectors on the rear of the Consolette.

### *FLASHport Programming*

Always be sure you are ordering/using the latest version of the software package. If you are not sure, contact Motorola Product Services or United States and Canada Aftermarket Products Division at 1-800-422-4210.

In order to FLASH the internally housed ASTRO mobile, the lid must be removed from the Consolette. Connect the ASTRO mobile programming cable (HKN6155\_) to the microphone connector on the front panel of the ASTRO mobile and follow the FLASHport instructions.

Table 17. Field Programming items

| Item | Kit/Part No. | Description  |
|------|--------------|--|
| 1    | RVN4183_     | ASTRO Spectra Customer Programming Software (CPS)      |
|      | RVN4185_     | ASTRO Spectra Plus Customer Programming Software (CPS) |
| 2    | 30-80369B72  | IBM PC-AT Computer Interface Cable                     |
| 3    | 30-80369B73  | ASTRO Spectra Interface Cable                          |
| 4    | RLN1015_     | Smart Radio Interface Box (SRIB)                       |
| 5    | 01-80302E27  | SRIB Power Pack (110 VAC)                              |
| 6    | HKN6155_     | ASTRO Spectra Plus Programming/Flash Cable             |

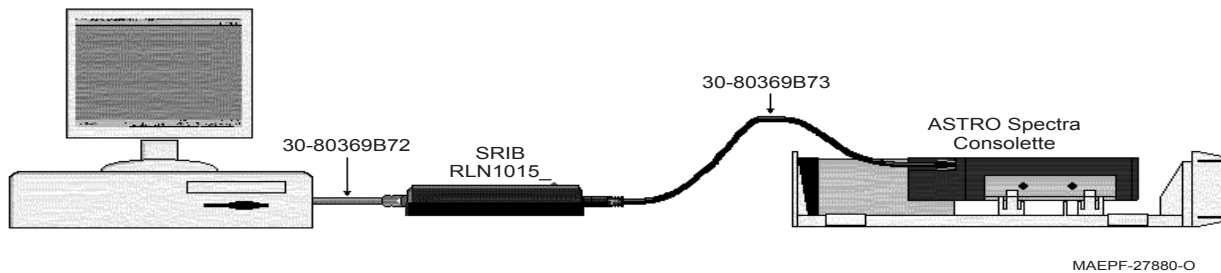


Figure 11. ASTRO Spectra Programming Hardware Configuration

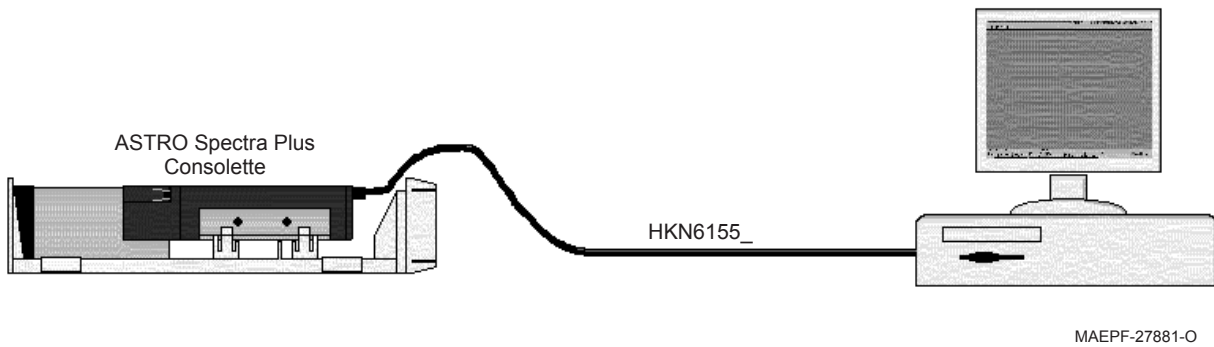


Figure 12. ASTRO Spectra Plus Programming Hardware Configuration

---

## Maintenance and Troubleshooting Procedures

Depending upon the environment in which the ASTRO Consolette operates, a service schedule should be created to periodically clean out the inside of the Consolette. This will ensure proper air flow within the station at all times.

“Diagrams and Parts Lists” on page 51 provides a listing of Troubleshooting Charts and Schematics, Boards, and Parts Lists. These diagrams contain detailed cable connectorization information for each cable in the ASTRO Spectra/Spectra Plus Consolette. These diagrams should be used in conjunction with the applicable ASTRO Spectra/Spectra Plus Mobile Service Manual to efficiently service the Consolette.

The troubleshooting charts assist you in tracing a problem to its source. Start with the “Consolette Does Not Work Troubleshooting Chart” on page 53 and you will be directed to the source of the problem. Use other troubleshooting charts and the applicable ASTRO Spectra/Spectra Plus Service Manual to further identify the source of the problem.

---

## Recommended Test Equipment and Service Aids


### *Electrical*

- R2001 Communications System Analyzer or R2600 Service Monitor (or equivalent)
- R1037 or R1024 Digital Multimeter (or equivalent)
- HP8903 Audio Analyzer (or equivalent)
- HP3552 Transmission Test Set (or equivalent)
- 13.8Vdc, 15A Power Supply (for DC-only operation)
- Radio Service Cable (Motorola PN 3084565T01)
- ASTRO Spectra/Spectra Plus Basic Service Manual (Motorola PN 68P81076C20)
- ASTRO Spectra/Spectra Plus Detailed Service Manual (Motorola PN 68P81076C25)
- Current ASTRO Mobile Customer Programming Software


### *Mechanical*

- T10, T15, and T25 Torx™ Drivers
- Straight Blade and Phillips Screwdrivers
- Tuning Tool (Motorola PN 66-84974L01)
- 3/16-inch (4.7625 mm) and 11/32-inch (8.73125 mm) Hex Nut Drivers/Wrenches
- Needle-nose Pliers
- 3/32-inch (2.38125 mm) Allen Wrench

## Disassembly and Reassembly

|   |   |
|---|---|
|  <p><b>Caution</b></p> | <p>Make sure to remove power to and disconnect all accessories from the Console when performing any of the following Disassembly and Reassembly instructions.</p> |
|---|---|

The following is a list of detailed instructions on how to remove and replace the main components of the Console. All of the retainer snaps surrounding the individual components must be released for removal.

|   |   |
|---|---|
|  <p><b>Caution</b></p> | <p>Never attempt to lift the station by the front panel after the top cover is removed as damage may occur to the connected cables. Also, never attempt to disconnect any cable by pulling on the wires; disconnect by connectors only.</p> |
|---|---|

### Top Cover

#### Removing the Top Cover

1. Raise the two latches on the rear of the Console upwards.
2. Simultaneously lower both latches all the way down. When both latches are lowered, the top cover will automatically spring toward the rear of the Console.
3. Pull the top cover towards the rear of the Console to further separate it from the front panel.
4. Lift the top cover straight up to remove.

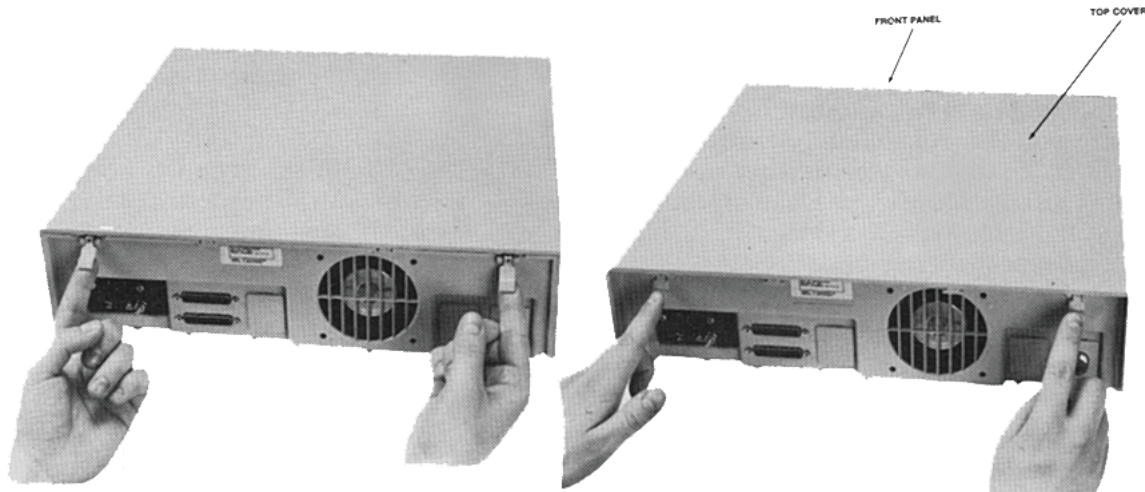


Figure 13. Removing the Top Cover

**NOTE:** The rear view of the Console shown in Figure 13 might be of an earlier model.

## Replacing the Top Cover

1. Lower the top cover straight down onto the base, making certain that the four side tabs on the cover (two on each side) align with, and set into, the corresponding grooves in the base.
2. From the rear of the unit, push the top cover forward to close. It may be necessary to use a soft mallet to tap the top cover forward so that it locks into place securely.

**NOTE:** It is assumed from this point on that all disassembly and reassembly procedures begin with the top cover removed and end with the top cover being replaced.

## ASTRO Transceiver

### Removing the Transceiver

Begin removal of the transceiver by placing the Console on a solid surface with the front of the unit facing you.

1. Disconnect the DC power cable from the rear of the ASTRO Transceiver.
2. Disconnect the coaxial cable from the antenna port at the rear of the ASTRO Transceiver.
3. Remove the screw holding the transceiver in place. This screw is located on the left side of the transceiver in-between the two "retainer snaps."
4. Pull out on the two retainer snaps on the left side of the ASTRO Transceiver to release it.
5. Tilt the ASTRO Transceiver to the right (lift from the left side) to release it from the retaining bosses on the right side of the ASTRO Transceiver.
6. Disconnect the interface cable from connectors J5 and J6 on the front of the ASTRO Transceiver. These connectors are held in place by four screws (two per connector).
7. Disconnect the Keyload Cable from the front panel of the transceiver, if present.

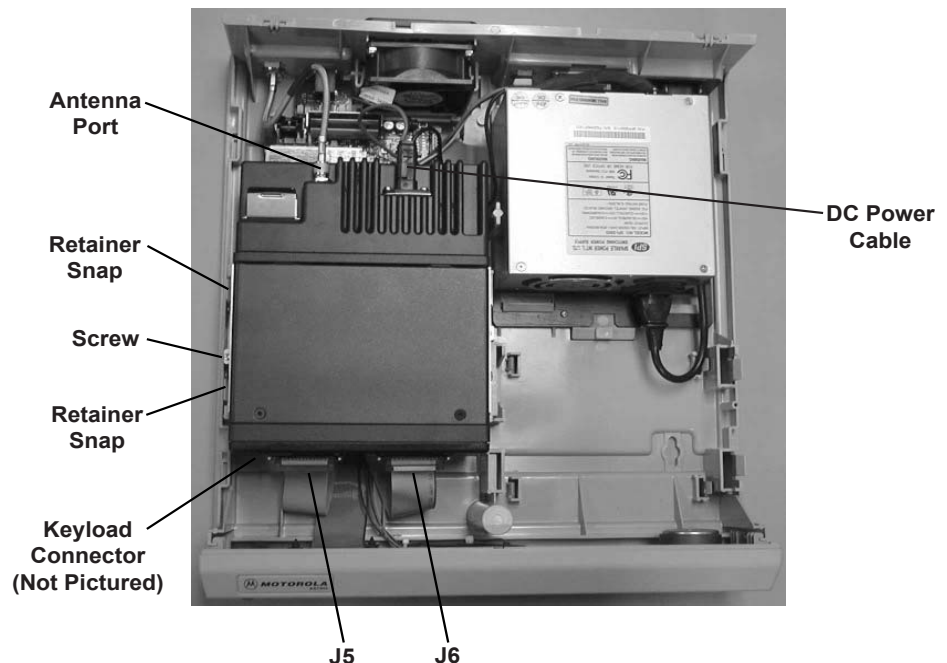


Figure 14. Removing the Transceiver

## Replacing the Transceiver

1. Connect the interface cable to the connectors J5 and J6 on the front of the ASTRO Transceiver. Be sure to tighten the four screws (two per connector) so that the connectors do not inadvertently come loose.
2. Connect the Keyload cable to the microphone connector on the front panel of the ASTRO Transceiver, if the cable is present.
3. Insert the right side of the transceiver at a 45-degree angle so the bracket on the radio hooks under the retaining bosses in the center of the Consolette housing.
4. Lower the left side of the transceiver into the snap retainers on the left side of the Consolette housing, making sure that both retainers snap into place, locking the transceiver down.
5. Insert the screw between the two retainer snaps.
6. Connect the coaxial cable to the antenna port at the rear of the ASTRO Transceiver. (Make sure the connector is tightened down to where no threads are exposed. If threads are exposed, then the connector is not seated properly.)
7. Connect the DC power cable to the DC plug on the rear of the ASTRO Transceiver.

## ***AIB/TRC Interface Board***

**NOTE:** Follow the instructions for removing the ASTRO Transceiver prior to attempting to remove or replace the AIB/TRC interface board.

## Removing the AIB/TRC Board

The AIB/TRC board is located underneath the ASTRO transceiver. You must, therefore, remove the transceiver before removing the interface board.

1. Disconnect the accessory cable from connector J3 of the AIB/TRC board.
2. Disconnect the transceiver cable from connector J1 of the AIB/TRC board.
3. Disconnect the power cable from connector J11 of the AIB/TRC board.
4. Disconnect the power LED cable from connector J5 of the AIB/TRC board.
5. Disconnect the fan cable from connector J8 (AIB) or J13 (TRC).
6. Disconnect the control head cable TRN7393 from connector J2 of the AIB/TRC board. (This cable is present only on the Local Control (W7) Consolettes.)
7. Disconnect the speaker cable from connector J4 of the AIB/TRC board. (This cable is present only on the Local Control (W7) Consolettes.)
8. Disconnect the cables for the battery revert and clock VU meter from J7 and J6 of the AIB/TRC board, respectively, if those options are present.

**NOTE:** The emergency battery revert option is no longer supported by Rev C and higher versions of the AIB and TRC boards

9. With everything disconnected from the AIB/TRC board, the board can be removed by releasing the three retainer snaps on either side of the board (six total). It is easier if you start from the front of the unit and work to the back when releasing the retainers.
10. The AIB/TRC board should now be free from the Consolette housing.

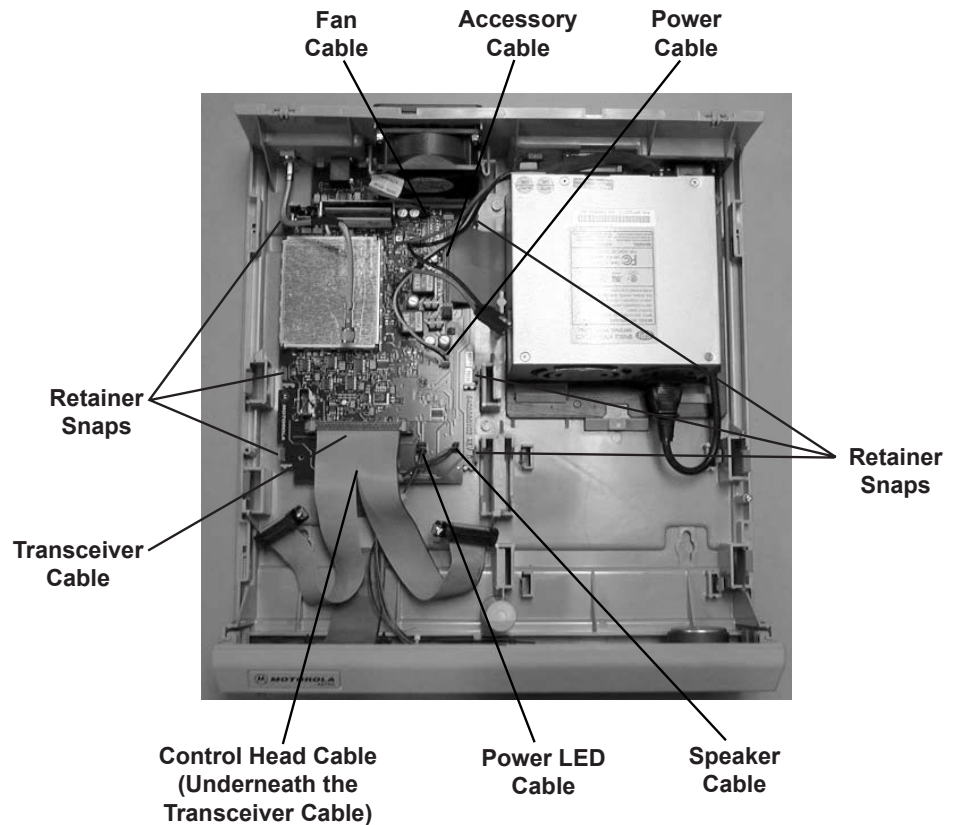


Figure 15. Removing the AIB/TRC Board

## Replacing the AIB/TRC Board

1. Insert the AIB/TRC board into the Console housing and snap it into place. When inserting the TRC into the Console housing, make sure that the board is secured by the two retainers to the right and left of the opening for Accessory Connector 1.
2. Connect the accessory cable to connector J3 on the AIB/TRC board.
3. Connect the transceiver cable to connector J1 on the AIB/TRC board.
4. Connect the power cable to connector J11 on the AIB/TRC board.
5. Connect the power LED cable to connector J5 on the AIB/TRC board.
6. Connect the fan cable to connector J8 (AIB) or J13 (TRC).
7. Connect the control head cable TRN7393 to connector J2 on the AIB/TRC board. (This cable is only present on the Local Control (W7) Consolettes.)
8. Connect the speaker cable to connector J4 on the AIB/TRC board. (This cable is only present on the Local Control (W7) Consolettes.)
9. Connect the cable for the Clock/VU meter to J6 on the AIB/TRC board, if the option is present.  
**NOTE:** The emergency battery revert option is no longer supported by Rev C and higher versions of the AIB and TRC boards.
10. Perform the steps for replacing the ASTRO Transceiver (see “Replacing the Transceiver” on page 40).

## Power Supply

### Removing the Power Supply

1. Make sure that the AC power cord is disconnected from the Consolette and that the ground connection has been removed.
2. Remove the screw located to the left of the power supply retainer snap.
3. Disconnect the DC power cable from the rear of the ASTRO transceiver.
4. Disconnect the power cable from connector J11 on the AIB/TRC board. (It may be necessary to remove the ASTRO Transceiver in order to access connector J11.)
5. Push down on the power supply retainer snap to release the power supply.
6. Slide the power supply toward the front of the Consolette to free the power supply from the Consolette housing.
7. Lift the power supply out of the Consolette housing.

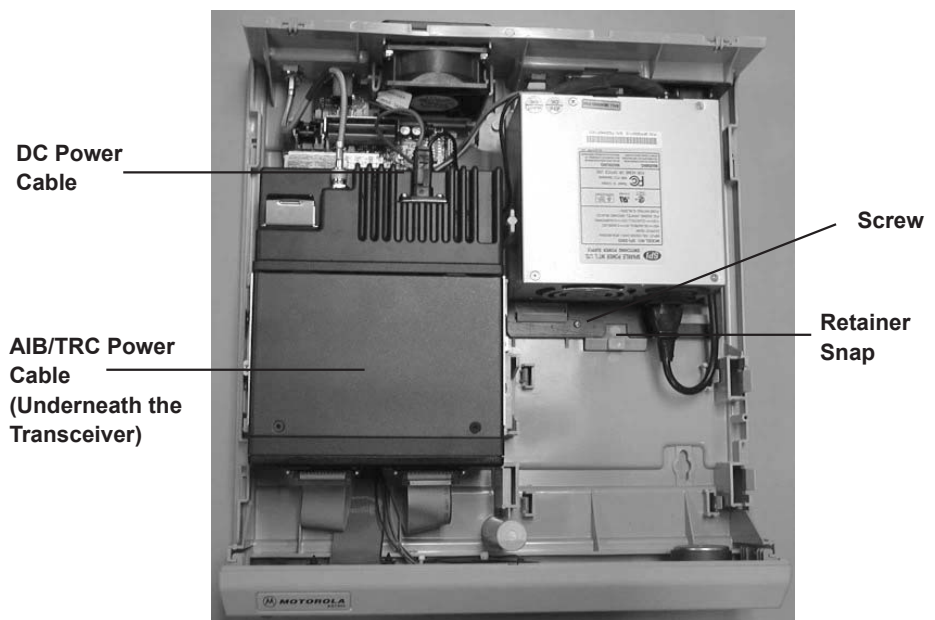


Figure 16. Removing the Power Supply

### Replacing the Power Supply

1. Set the new power supply into the Consolette housing in the right rear corner.
2. Align the slits in the base of the power supply with the retainers on the Consolette housing so that the retainers come through the base of the power supply.
3. Slide the power supply to the rear of the Consolette. The retainer snap should engage and lock the power supply into place.
4. Connect the power cable to connector J11 on the AIB/TRC board.
5. Connect the DC power cable to the DC connector on the rear of the ASTRO transceiver.
6. Insert the screw in the hole to the left of the retainer snap.
7. Make sure to reconnect the ground wire to the power supply before plugging the power supply back in to an AC outlet.



## **Fan**

### Removing the Fan

1. Make sure that the AC power cord is disconnected from the Consolette.
2. Disconnect the fan power leads from either connector J8 (AIB) or J13 (TRC). (If this is an older model Consolette, the fan may be plugged directly into the power supply.)
3. Remove the dust filter cover from its mounting bracket by releasing the four snap retainers holding it in place. This will expose the four Phillips screws holding the fan in place.
4. Remove the four Phillips screws and lock nuts that secure the fan to the rear of the Consolette housing. (There are openings in the bottom of the Consolette housing that will allow access to the two lock nuts on the bottom of the fan.) This will release the dust filter mounting bracket from the rear of the Consolette.
5. Release the two retainer snaps, one on each side, and tilt the top of the fan towards the front of the Consolette housing. This should release the fan from the retaining boss in the bottom of the Consolette housing.
6. Lift the fan out of the Consolette housing.

### Replacing the Fan

1. Insert the fan at the rear of the Consolette housing at an angle.
2. Tilt the fan to the rear of the Consolette housing, making sure that the lower lip of the fan locks underneath the retaining boss in the bottom of the Consolette housing and the retainer snaps lock into place.
3. Insert the four phillips screws through the dust filter mounting bracket, the Consolette housing, and the fan assembly and secure them in place with the four lock nuts. (The bottom two screws can be accessed through two holes in the bottom of the Consolette housing to tighten down the lock nuts.)
4. Replace the dust filter cover onto the mounting bracket.

## **Control Head (W7 Models Only)**


### Removing the Control Head

1. Make sure the AC power cord is disconnected from the Consolette.
2. Remove the two control head mounting screws located on either side of the control head.
3. Push the control head from the rear to free it from the front panel.
4. Disconnect the TRN7393 control head interface kit from the rear of the control head.

## Maintenance: Disassembly and Reassembly

### Replacing the Control Head

1. Connect the TRN7393 control head interface kit to the connector on the rear of the control head.
2. Push the control head into the front panel.
3. Insert the two control head mounting screws, one on either side of the control head.

|   |  |
|---|--|
|  <p><b>Caution</b></p> | <p>When servicing control heads, it is recommended that all water seals (O-ring, keypads, etc.) that are disturbed in the procedure be replaced to ensure radio sealing integrity.</p> |
|---|--|

**NOTE:** Care must be taken to shield the control head (front and back) from a direct exposure to pressurized water. The pressurized water from a hose is, in most cases, more severe than the stated tests, conditions, and typical environments.

# Cable Diagrams

# 5

## Standard Cables

Table 18. Power LED Cable Part #3084459T01 (P/O TKN8676)

| Pin Number |    | Signal      |
|------------|----|-------------|
| Power LED  | J5 |             |
| 1          | 1  | POWER_LED_A |
| 2          | 2  | POWER_LED_K |
|            | 3  | N/C         |

Table 19. RF Coaxial Cable Part #0112004E09 (P/O TKN8676)

| Pin Number |       | Signal  |
|------------|-------|---------|
| 1 RX       | Radio |         |
| 1          | 1     | RF      |
| 2          | 2     | ANA_GND |

Table 20. Speaker Cable Part #3084457T01 (P/O TRN7394)

| Pin Number |    | Signal  |
|------------|----|---------|
| Speaker    | J4 |         |
| 1          | 1  | SPKR_HI |
| 2          | 2  | SPKR_LO |

Table 21. Control Head Cable

| Pin Number   |    | Signal             |
|--------------|----|--------------------|
| Control Head | J2 |                    |
| 1            | 1  | VSENSE1 (N/C)†     |
| 2            | 2  | N/C                |
| 3            | 3  | N/C                |
| 4            | 4  | VSENSE2 (N/C)†     |
| 5            | 5  | ANA_GND (DIG_GND)† |
| 6            | 6  | N/C                |
| 7            | 7  | N/C                |
| 8            | 8  | ANA_GND (DIG_GND)† |
| 9            | 9  | BUS+               |
| 10           | 10 | BUS-               |
| 11           | 11 | A+                 |
| 12           | 12 | SWB+               |
| 13           | 13 | BUSY               |
| 14           | 14 | SWB+               |
| 15           | 15 | IGN                |
| 16           | 16 | RESET              |
| 17           | 17 | VO3                |
| 18           | 18 | VI3                |
| 19           | 19 | HUB* (N/C)†        |
| 20           | 20 | VI1                |
| 21           | 21 | VO1                |
| 22           | 22 | VO2                |
| 23           | 23 | N/C                |
| 24           | 24 | N/C                |
| 25           | 25 | N/C (RESET/PTT*)†  |
| 26           | 26 | MIC_LO             |
| 27           | 27 | N/C                |
| 28           | 28 | HUB                |
| 29           | 29 | N/C                |
| 30           | 30 | CTRL_HD_MIC        |
|              | 31 | N/C                |
|              | 32 | N/C                |
|              | 33 | N/C                |
|              | 34 | N/C                |

**Notes:** \* Denotes active low signal  
† Denotes TRC signal name

Table 22. Radio Cable

| Pin Number |          |    | Signal                         |
|------------|----------|----|--------------------------------|
| Radio J6   | Radio J5 | J1 |                                |
| 1          |          | 1  | PTT*                           |
| 14         |          | 2  | N/C                            |
| 2          |          | 3  | RS232-RXD                      |
| 15         |          | 4  | RSSI (N/C)†                    |
| 3          |          | 5  | RS232-TXD                      |
| 16         |          | 6  | N/C                            |
| 4          |          | 7  | RS232_RTS                      |
| 17         |          | 8  | N/C                            |
| 5          |          | 9  | RS232_CTS                      |
| 18         |          | 10 | DIG_GND                        |
| 6          |          | 11 | FILT_AUD (N/C)†                |
| 19         |          | 12 | N/C                            |
| 7          |          | 13 | AUX_RX_AUD                     |
| 20         |          | 14 | N/C                            |
| 8          |          | 15 | AUX_TX_AUD                     |
| 21         |          | 16 | N/C                            |
| 9          |          | 17 | DET_AUD                        |
| 22         |          | 18 | SWB+                           |
| 10         |          | 19 | ANA_GND                        |
| 23         |          | 20 | CHAN_ACT*                      |
| 11         |          | 21 | MIC_LO (N/C)†                  |
| 24         |          | 22 | SPKR_LO                        |
| 12         |          | 23 | RAD_MIC (MIC_HI/<br>MOD_CTRL)† |
| 25         |          | 24 | SPKR_HI                        |
| 13         |          | 25 | N/C                            |
|            | 1        | 26 | PTT*                           |
|            | 14       | 27 | BUS-                           |
|            | 2        | 28 | FLT_AUD_SHD                    |
|            | 15       | 29 | RSSI (N/C)†                    |
|            | 3        | 30 | IGN                            |
|            | 16       | 31 | VO1                            |
|            | 4        | 32 | N/C                            |
|            | 17       | 33 | VO2                            |
|            | 5        | 34 | BUS+                           |
|            | 18       | 35 | DIG_GND                        |
|            | 6        | 36 | FILT_AUD                       |
|            | 19       | 37 | RESET                          |
|            | 7        | 38 | AUX_RX_AUD                     |
|            | 20       | 39 | N/C                            |
|            | 8        | 40 | AUX_TX_AUD                     |
|            | 21       | 41 | BUS_SHLD                       |
|            | 9        | 42 | N/C (DET_AUD)†                 |
|            | 22       | 43 | SWB+                           |
|            | 10       | 44 | ANA_GND†                       |
|            | 23       | 45 | BUSY                           |
|            | 11       | 46 | MIC_LO                         |
|            | 24       | 47 | SPKR_LO (N/C)†                 |
|            | 12       | 48 | RAD_MIC (N/C)†                 |
|            | 25       | 49 | SPKR_HI (N/C)†                 |
|            | 13       | 50 | EMER                           |

**Notes:** \* Denotes active low signal  
† Denotes TRC signal name

Table 23. Accessory Cable

| Pin Number  |             |    | Signal                  |
|-------------|-------------|----|-------------------------|
| Accessory 2 | Accessory 3 | J3 |                         |
| 1           |             | 1  | RX+ (LINE1+)†           |
| 14          |             | 2  | REMOTE_RX+ (SPKR_HI)†   |
| 2           |             | 3  | AUD_SHLD                |
| 15          |             | 4  | REMOTE_RX- (SPKR_LO)†   |
| 3           |             | 5  | TX+ (LINE2+)†           |
| 16          |             | 6  | RX- (LINE1-)†           |
| 4           |             | 7  | FILT_AUD (DET_AUD)†     |
| 17          |             | 8  | TX_AUD (AUD_TX)†        |
| 5           |             | 9  | A+                      |
| 18          |             | 10 | VO3                     |
| 6           |             | 11 | BUSY                    |
| 19          |             | 12 | BUS-                    |
| 7           |             | 13 | BUS+                    |
| 20          |             | 14 | RESET                   |
| 8           |             | 15 | UNAVAILABLE             |
| 21          |             | 16 | 5V                      |
| 9           |             | 17 | VO1                     |
| 22          |             | 18 | VI3                     |
| 10          |             | 19 | PTT*                    |
| 23          |             | 20 | VO2                     |
| 11          |             | 21 | TX- (LINE2-)†           |
| 24          |             | 22 | MONITOR*                |
| 12          |             | 23 | DIG_GND                 |
| 25          |             | 24 | SPKR_UNMUTE             |
| 13          |             | 25 | VI1                     |
|             | 1           | 26 | RS232_RXD (N/C)†        |
|             | 14          | 27 | RS232_TXD (N/C)†        |
|             | 2           | 28 | ANA_GND                 |
|             | 15          | 29 | RS232_RTS (N/C)†        |
|             | 3           | 30 | AUX_RX_AUD              |
|             | 16          | 31 | RS232_CTS (PS_AUD_OUT)† |
|             | 4           | 32 | FILT_AUD (DET_AUD)†     |
|             | 17          | 33 | AUX_TX_AUD              |
|             | 5           | 34 | A+                      |
|             | 18          | 35 | SWB+                    |
|             | 6           | 36 | BUSY                    |
|             | 19          | 37 | BUS-                    |
|             | 7           | 38 | BUS+                    |
|             | 20          | 39 | RESET                   |
|             | 8           | 40 | BUS_SHLD                |
|             | 21          | 41 | N/C                     |
|             | 9           | 42 | VSENSE1 (RS232_RXD)†    |
|             | 22          | 43 | N/C (RS232_TXD)†        |
|             | 10          | 44 | VSENSE1_SHLD            |
|             | 23          | 45 | VSENSE2 (RS232_RTS)†    |
|             | 11          | 46 | TAPE_OUT                |
|             | 24          | 47 | VSENSE2_SHLD            |
|             | 12          | 48 | DIG_GND                 |
|             | 25          | 49 | N/C (RS232_CTS)†        |
|             | 13          | 50 | EMER                    |

**Notes:** \* Denotes active low signal  
† Denotes TRC signal name

---

**Optional Cables***Table 24. Clock/VU Cable*

| Pin Number |    | Signal  |
|------------|----|---------|
| Clock/VU   | J6 |         |
| 1          | 1  | VU_AUD  |
| 2          | 2  | N/C     |
| 3          | 3  | ANA_GND |
| 4          | 4  | A+      |

## Notes



# Diagrams and Parts Lists

# 6

---

## List of Troubleshooting Charts

| Title  | Page |
|--|------|
| Consolette Does Not Work Troubleshooting Chart                   | 53   |
| Power Problem Troubleshooting Chart                              | 54   |
| TRC Local TX Troubleshooting Chart                               | 55   |
| TRC RX Audio Troubleshooting Chart                               | 56   |
| Trunking Tones Not Heard at Remote Console Troubleshooting Chart | 57   |
| TRC Board DC Voltage Troubleshooting Chart                       | 58   |
| TRC TX Audio Troubleshooting Chart                               | 58   |
| AIB TX Audio Troubleshooting Chart                               | 59   |
| AIB RX Audio Troubleshooting Chart                               | 60   |
| AIB DC Power Troubleshooting Chart                               | 61   |

---

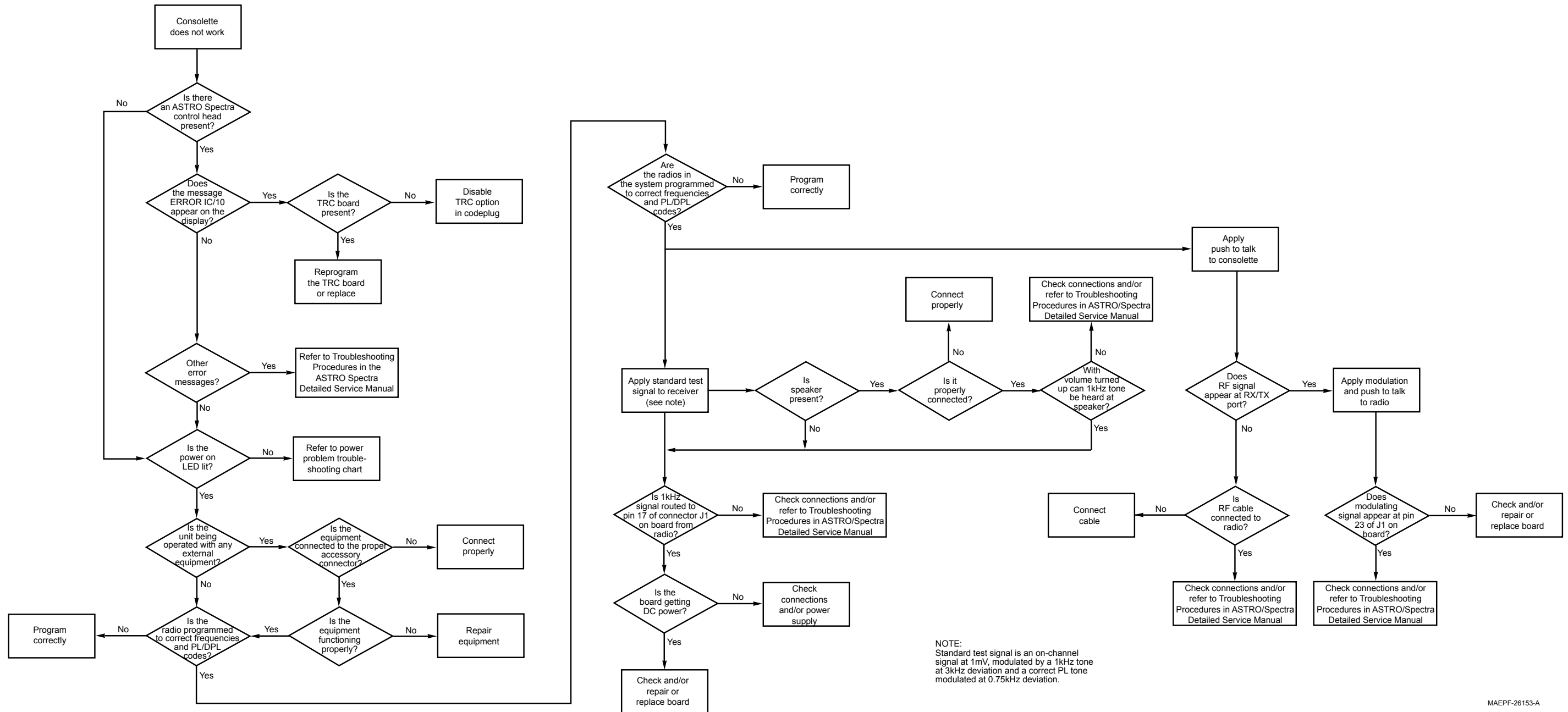
## List of Schematics, Boards, and Parts Lists

| Title  | Page |
|--|------|
| ASTRO Spectra Consolette Exploded View   | 63   |
| TRN 7393B Control Head Interface Board Schematic                                   | 64   |
| TRN7393B Component Location Diagram - Side 1                                       | 64   |
| TRN7393B Component Location Diagram - Side 2                                       | 64   |
| ASTRO Spectra Consolette Exploded View Parts List                                  | 65   |
| TRN7393B Control Head Interface Board Parts List                                   | 65   |
| Tone Remote Control Board Block Diagram  | 66   |
| Audio Interface Board Block Diagram  | 67   |
| TRN7391C Audio Interface Board Schematic Diagram (Sheet 1 of 2)                    | 68   |
| TRN7391C Audio Interface Board Schematic Diagram (Sheet 2 of 2)                    | 69   |
| TRN7391C Audio Interface Board   | 70   |
| TRN7391C Audio Interface Board Parts List  | 71   |
| PLN1360C Tone Remote Control Board Component Location Diagram (viewed from side 1) | 73   |
| PLN1360C Tone Remote Control Board Schematic Diagram (Sheet 1 of 6)                | 74   |
| PLN1360C Tone Remote Control Board Schematic Diagram (Sheet 2 of 6)                | 75   |
| PLN1360C Tone Remote Control Board Schematic Diagram (Sheet 3 of 6)                | 76   |
| PLN1360C Tone Remote Control Board Schematic Diagram (Sheet 4 of 6)                | 77   |
| PLN1360C Tone Remote Control Board Schematic Diagram (Sheet 5 of 6)                | 78   |
| PLN1360C Tone Remote Control Board Schematic Diagram (Sheet 6 of 6)                | 79   |
| PLN1360C Tone Remote Control Board Electrical Parts List                           | 80   |

## Notes

# Troubleshooting Charts

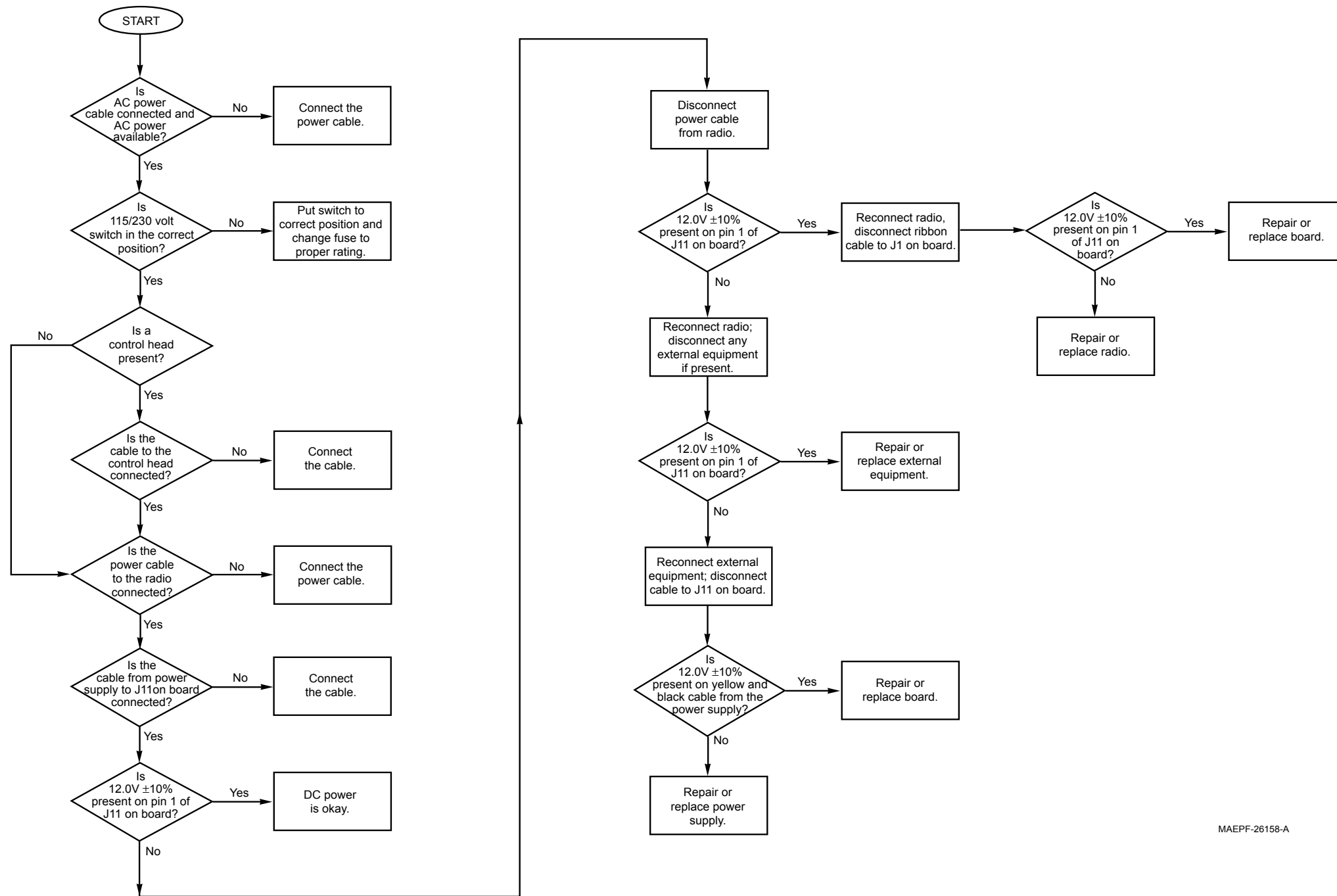
## CONSOLETTTE DOES NOT WORK



MAEPF-26153-A

Consolette Does Not Work Troubleshooting Chart

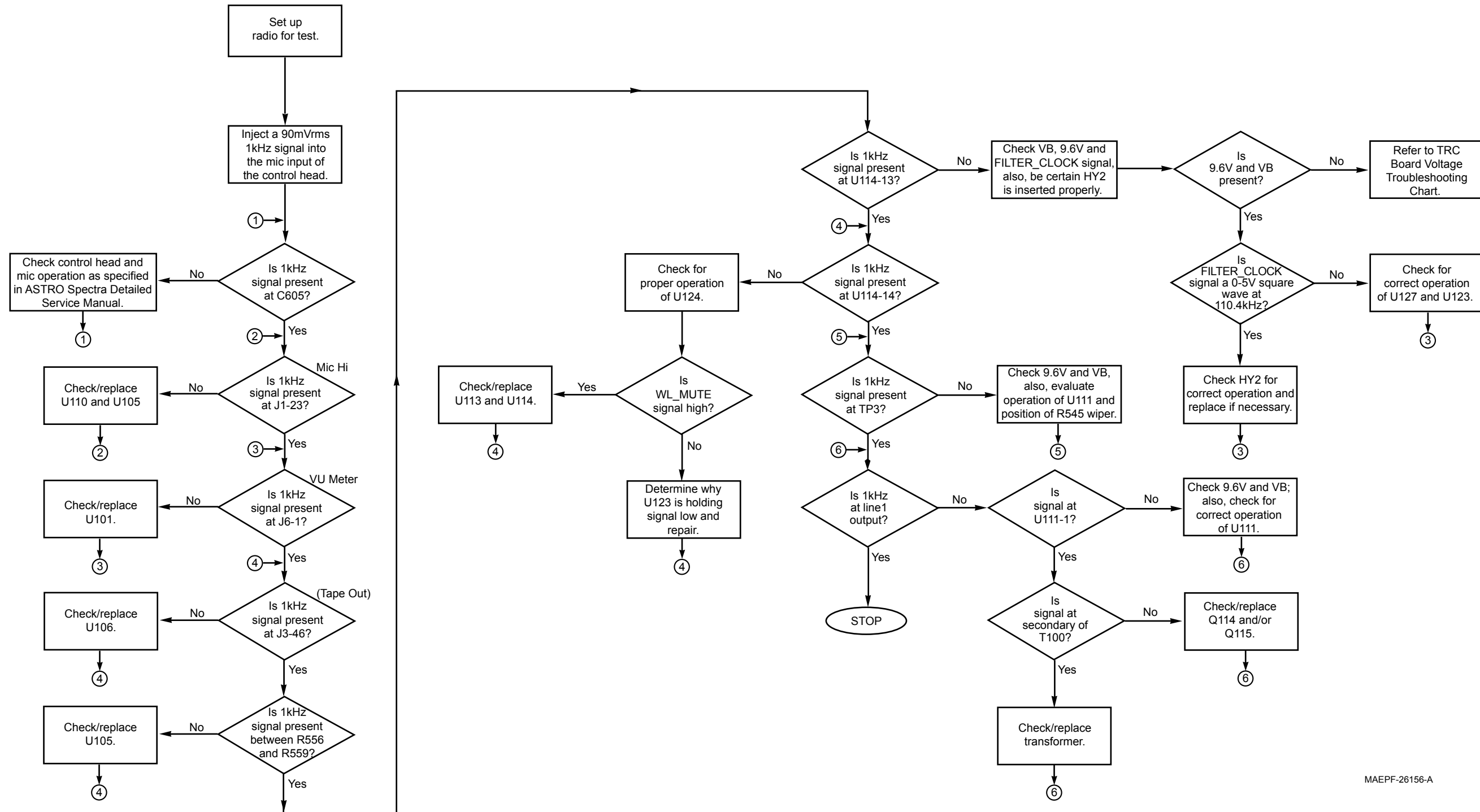
## POWER PROBLEM TROUBLESHOOTING



MAEPF-26158-A

**Power Problem Troubleshooting Chart**

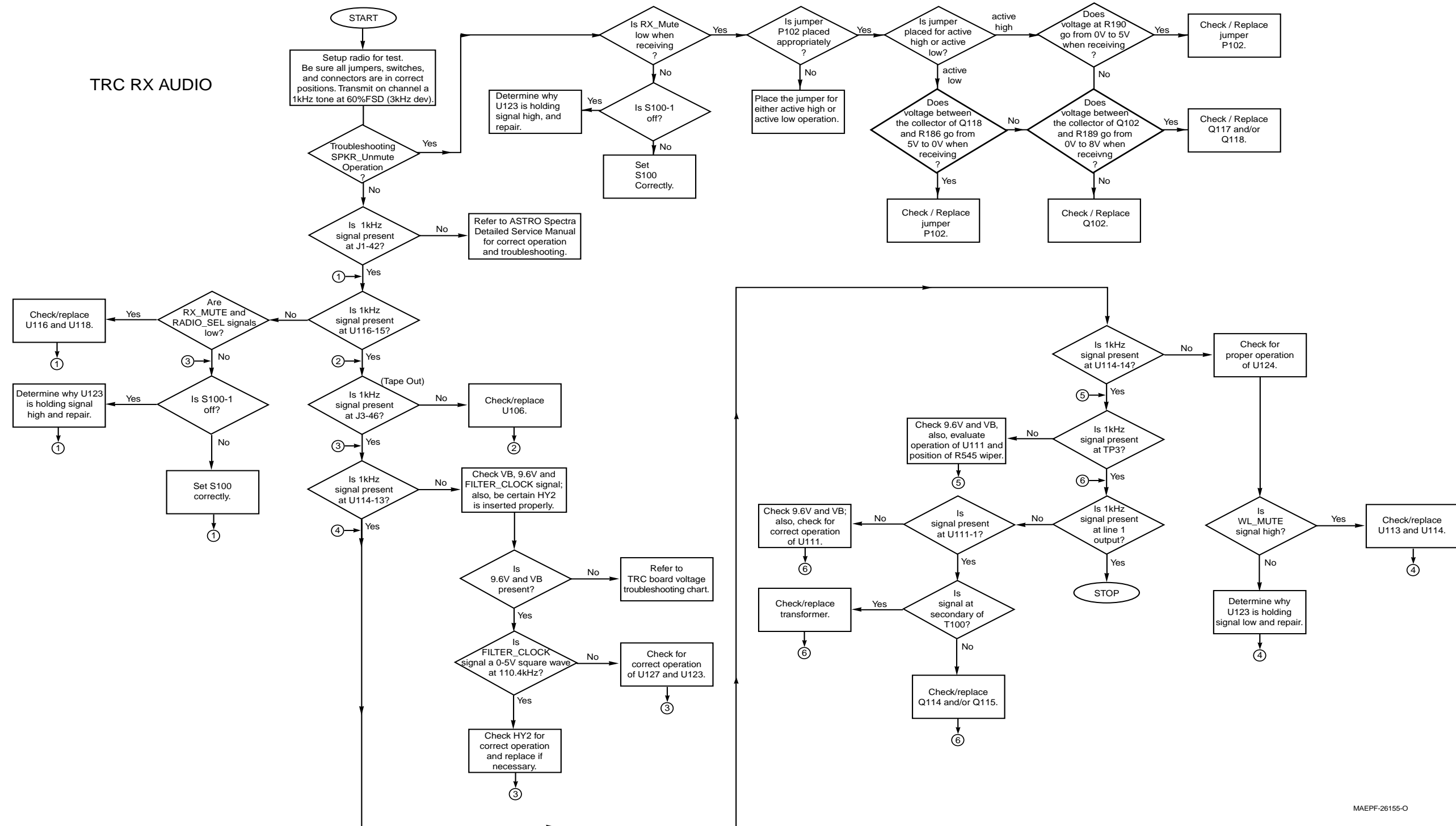
# TRC LOCAL TX



MAEPF-26156-A

TRC Local TX Troubleshooting Chart

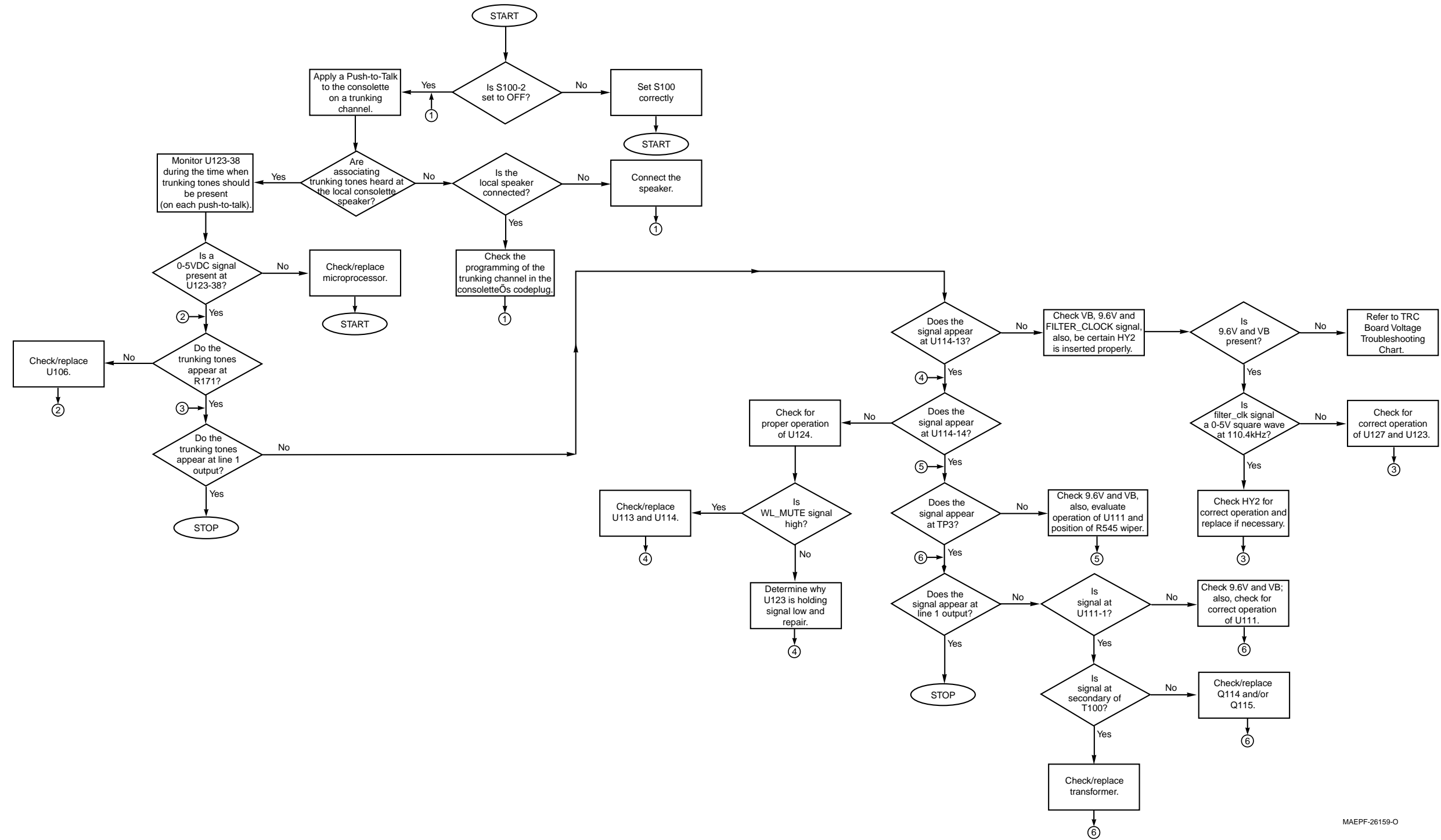
TRC RX AUDIO



MAEPF-26155-O

TRC RX Audio Troubleshooting Chart

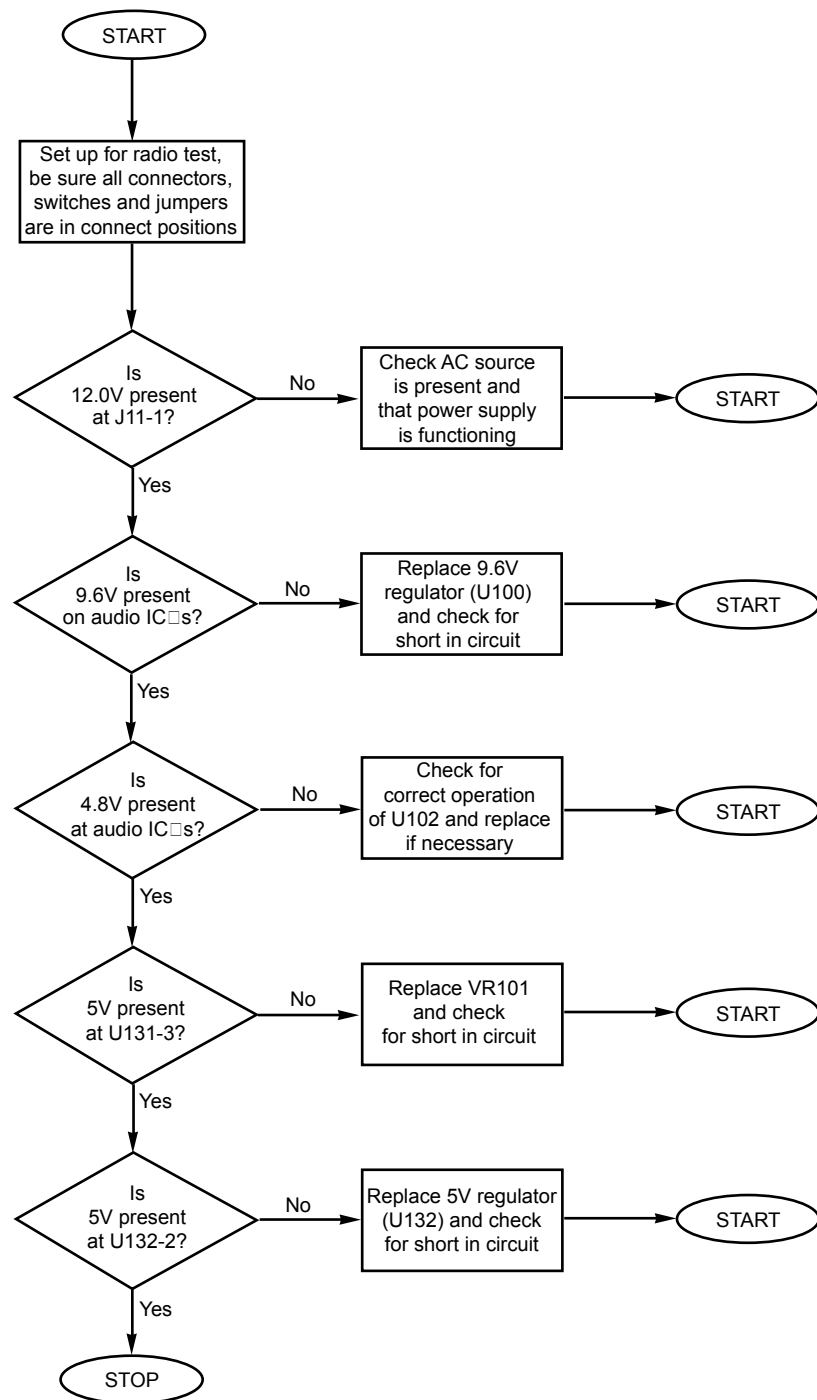
## TRUNKING/MDC TONES NOT HEARD AT REMOTE CONSOLE



MAEPF-26159-0

**Trunking Tones Not Heard at Remote Console Troubleshooting Chart**

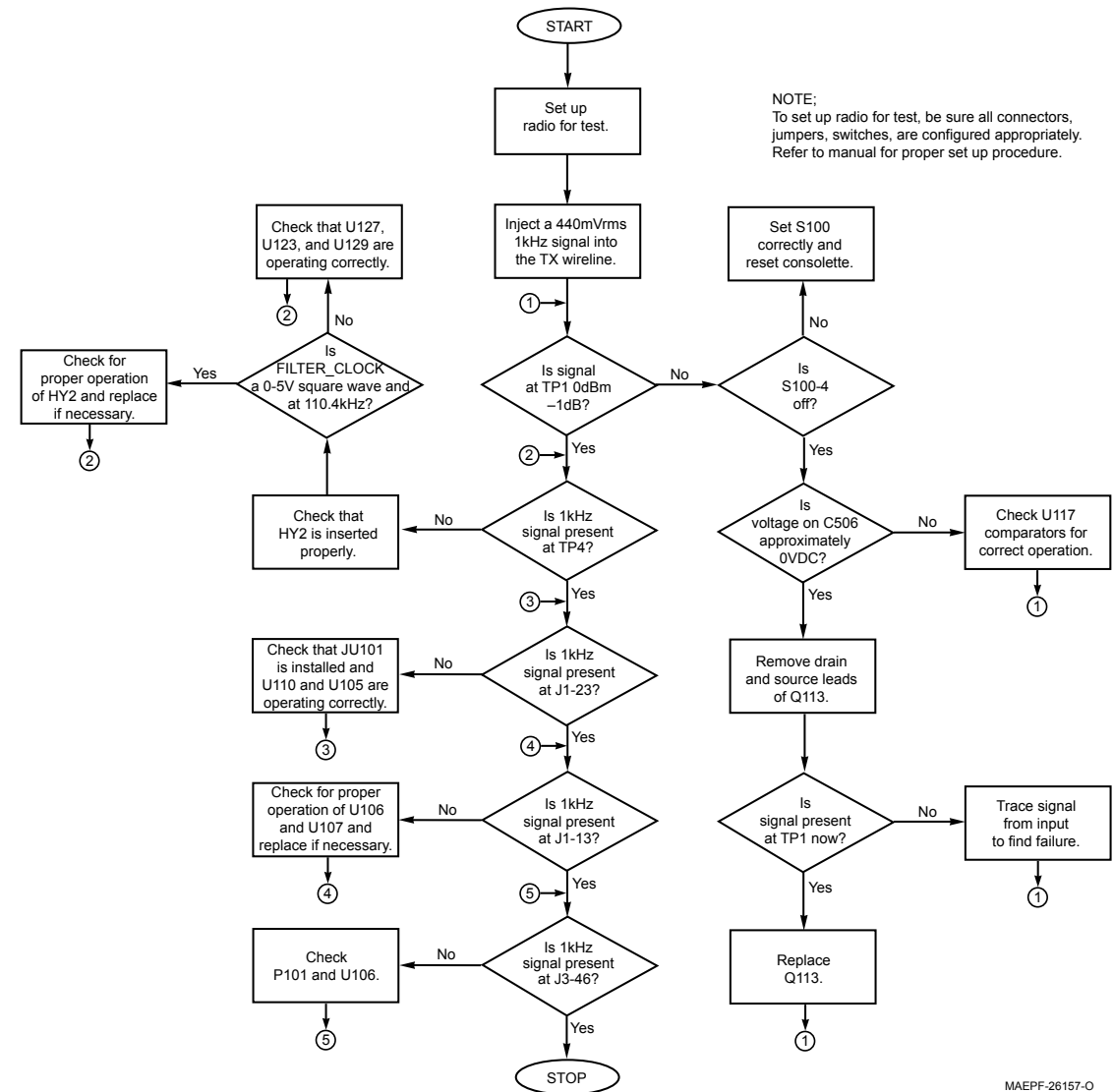
## TRC BOARD DC VOLTAGE



MAEPF-26154-A

TRC Board DC Voltage Troubleshooting Chart

## TRC TX AUDIO



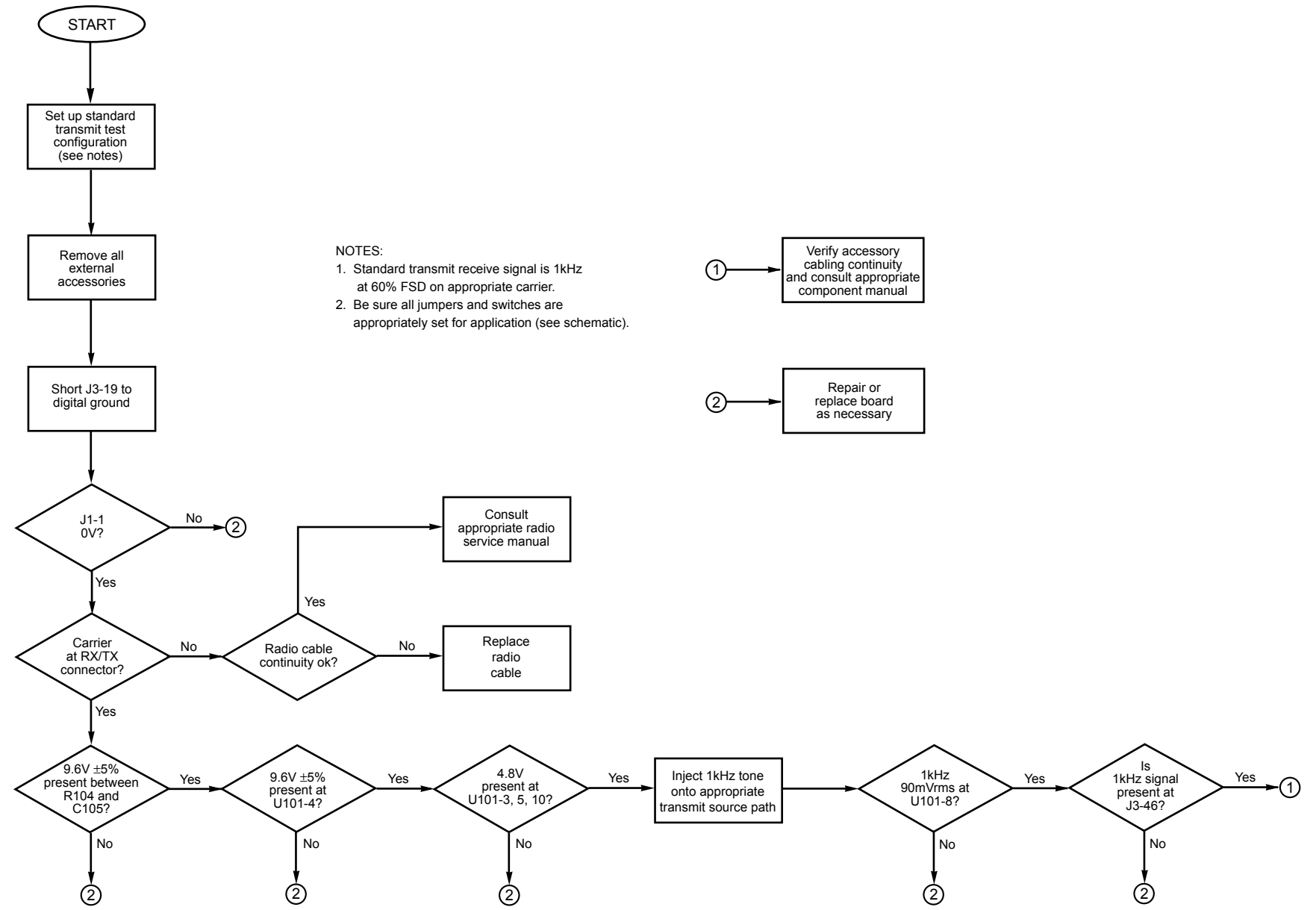
NOTE:  
To set up radio for test, be sure all connectors, jumpers, switches, are configured appropriately. Refer to manual for proper set up procedure.

MAEPF-26157-O

TRC TX Audio Troubleshooting Chart



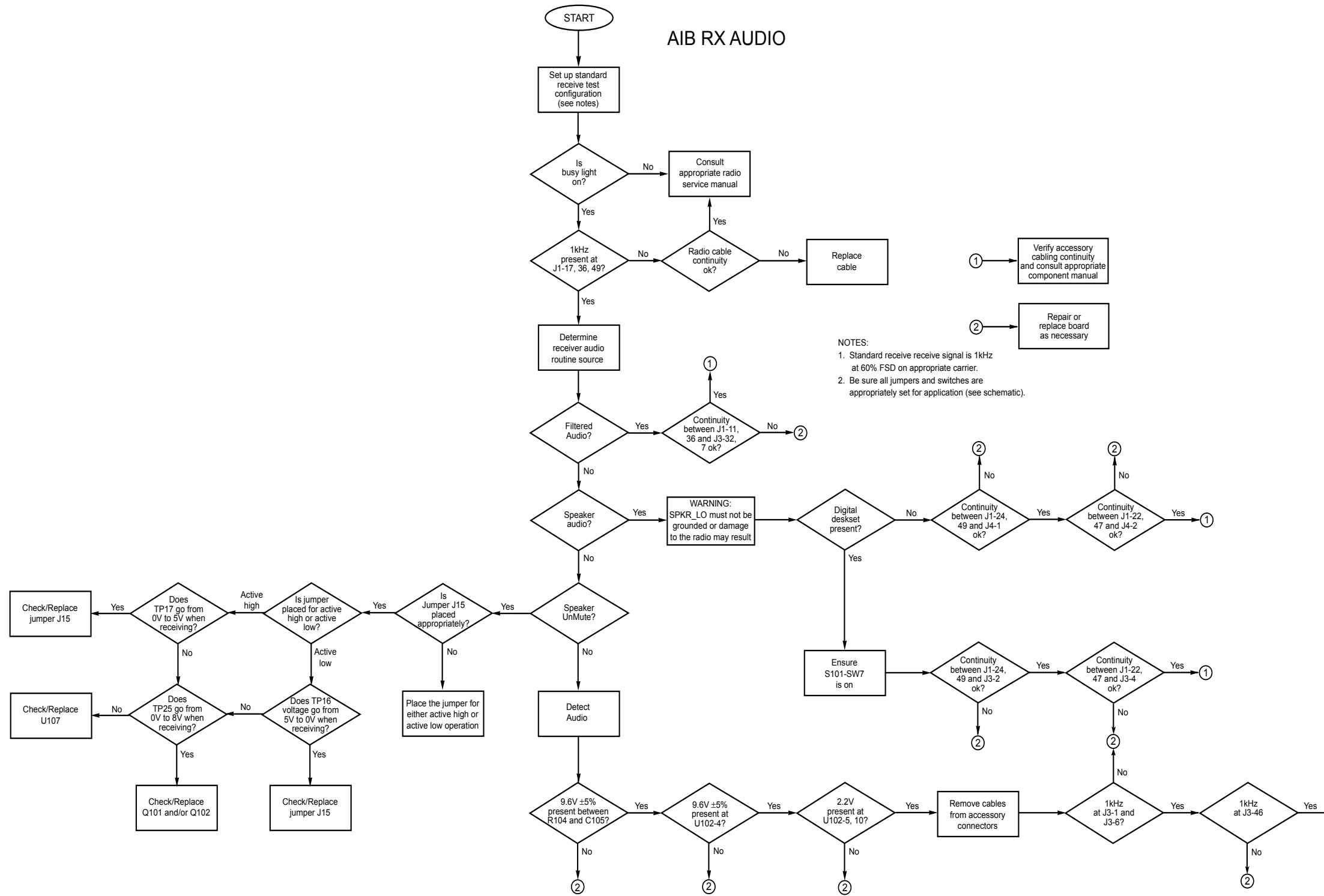
# AIB TX AUDIO



MAEPF-26317-A

**AIB TX Audio Troubleshooting Chart**

# AIB RX AUDIO

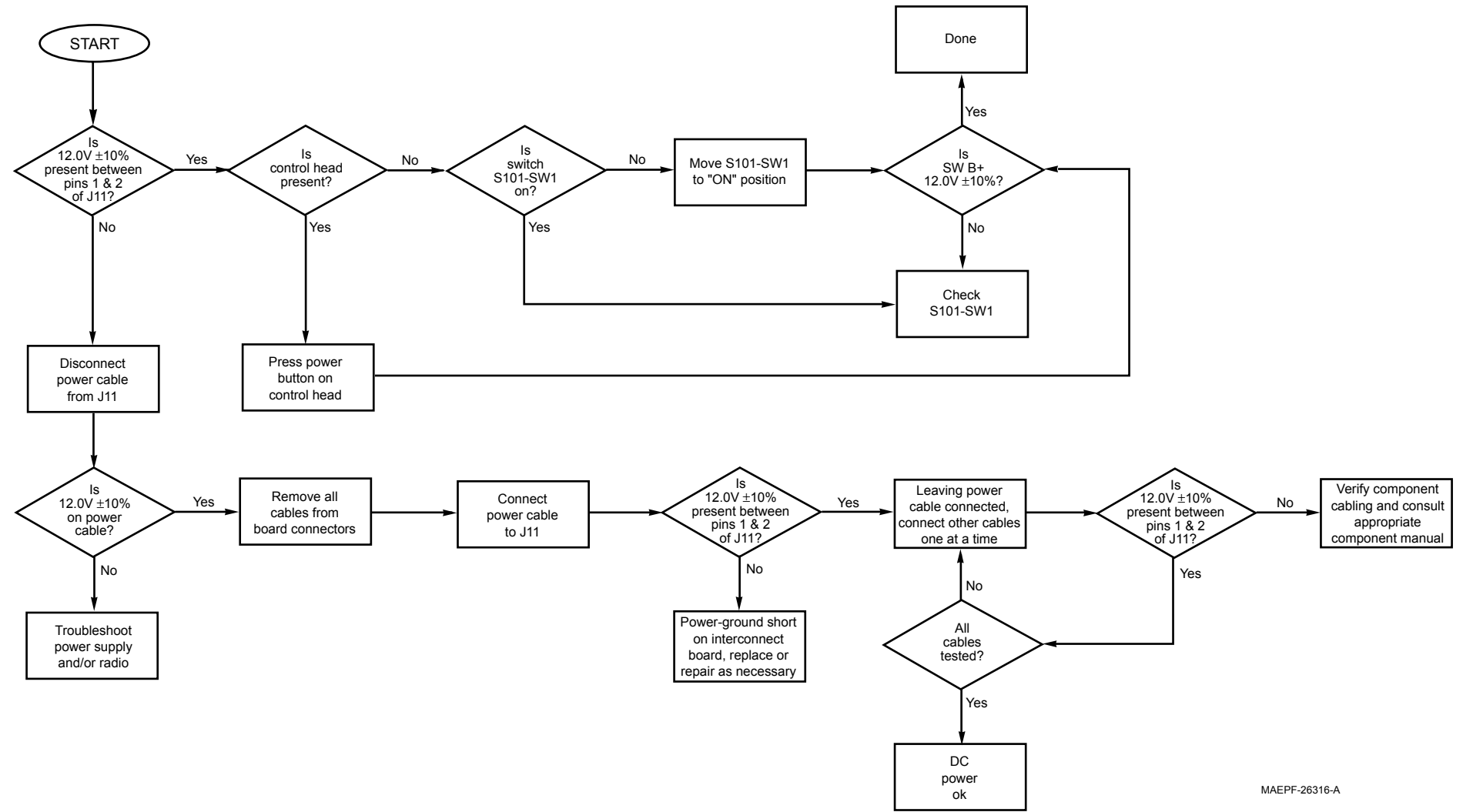


NOTES:  
 1. Standard receive receive signal is 1kHz at 60% FSD on appropriate carrier.  
 2. Be sure all jumpers and switches are appropriately set for application (see schematic).

① → Verify accessory cabling continuity and consult appropriate component manual  
 ② → Repair or replace board as necessary

AIB RX Audio Troubleshooting Chart

## AIB DC POWER



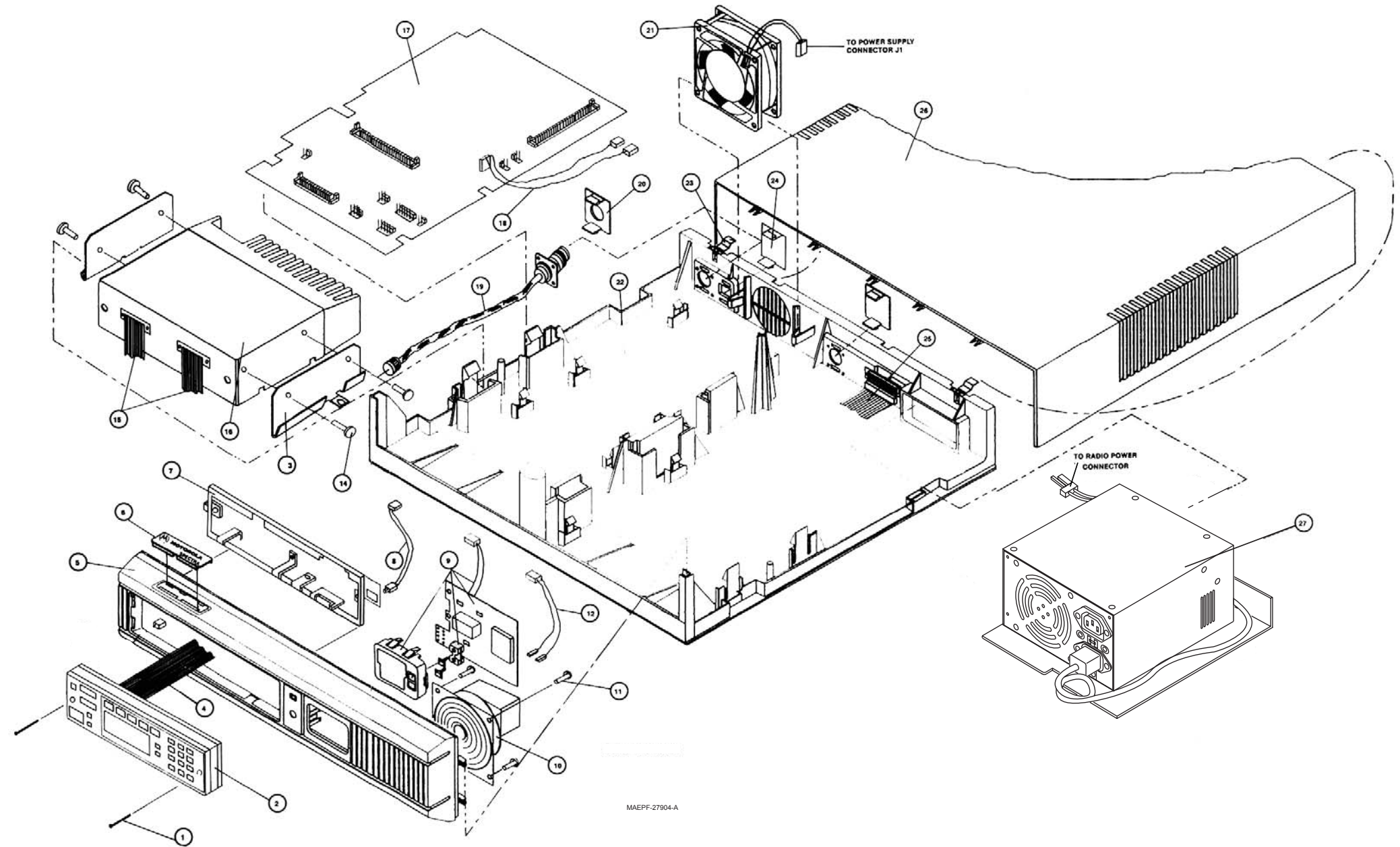
MAEPF-26316-A

**AIB DC Power Troubleshooting Chart**

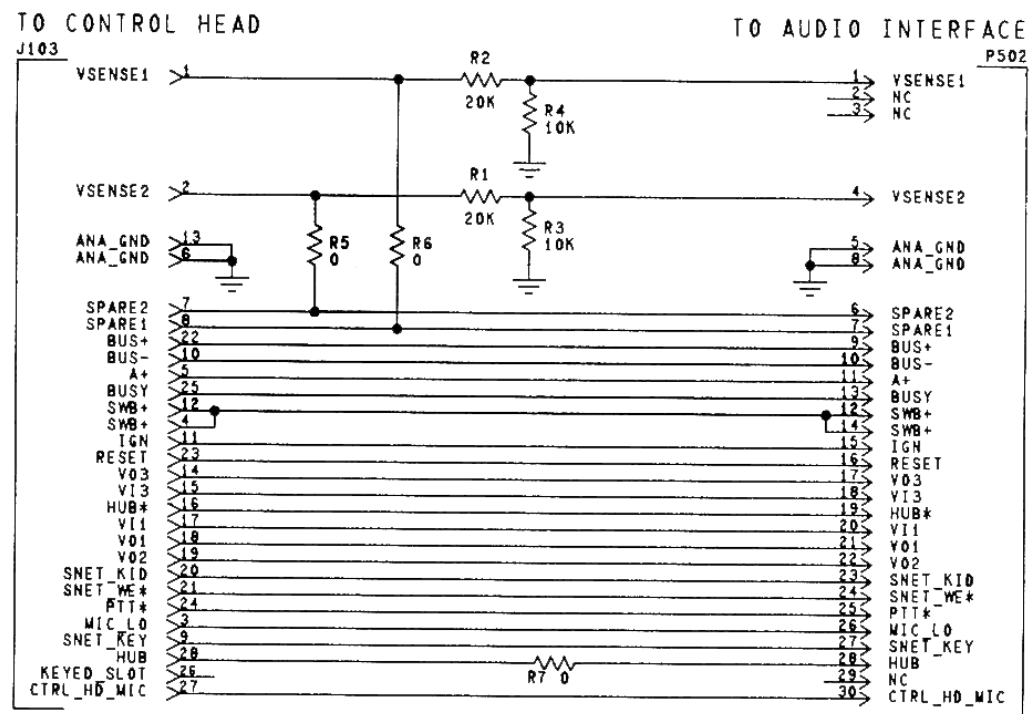
---

## Notes

# Schematics, Boards, and Parts Lists

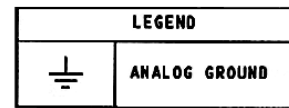


**ASTRO Spectra Consolette Exploded View**



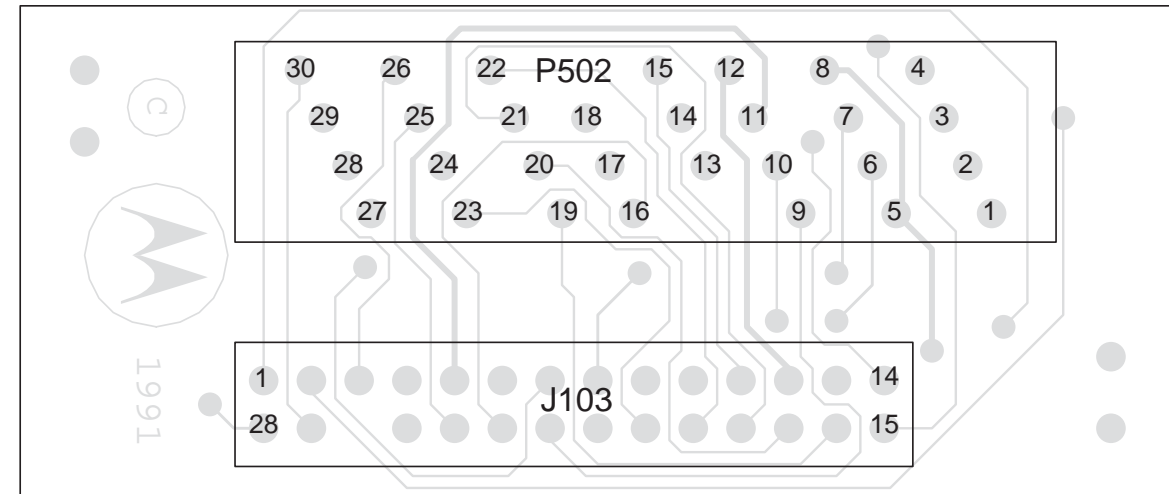
NOTES:  
 1. UNLESS SPECIFIED OTHERWISE, ALL RESISTOR VALUES ARE IN OHMS.  
 2. AN ASTERISK (\*) FOLLOWING A SIGNAL NAME INDICATES AN ACTIVE LOW SIGNAL.

TEPS-48286-0



TRN 7393B Control Head Interface Board Schematic

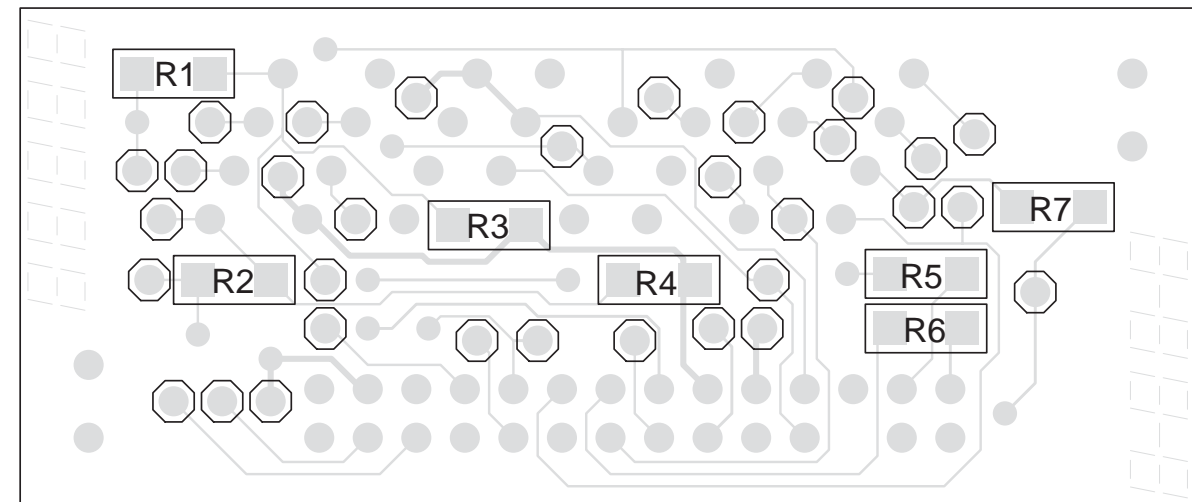
VIEWED FROM SIDE 1



MAEPF-26343-O

TRN7393B Component Location Diagram - Side 1

VIEWED FROM SIDE 2



MAEPF-26344-O

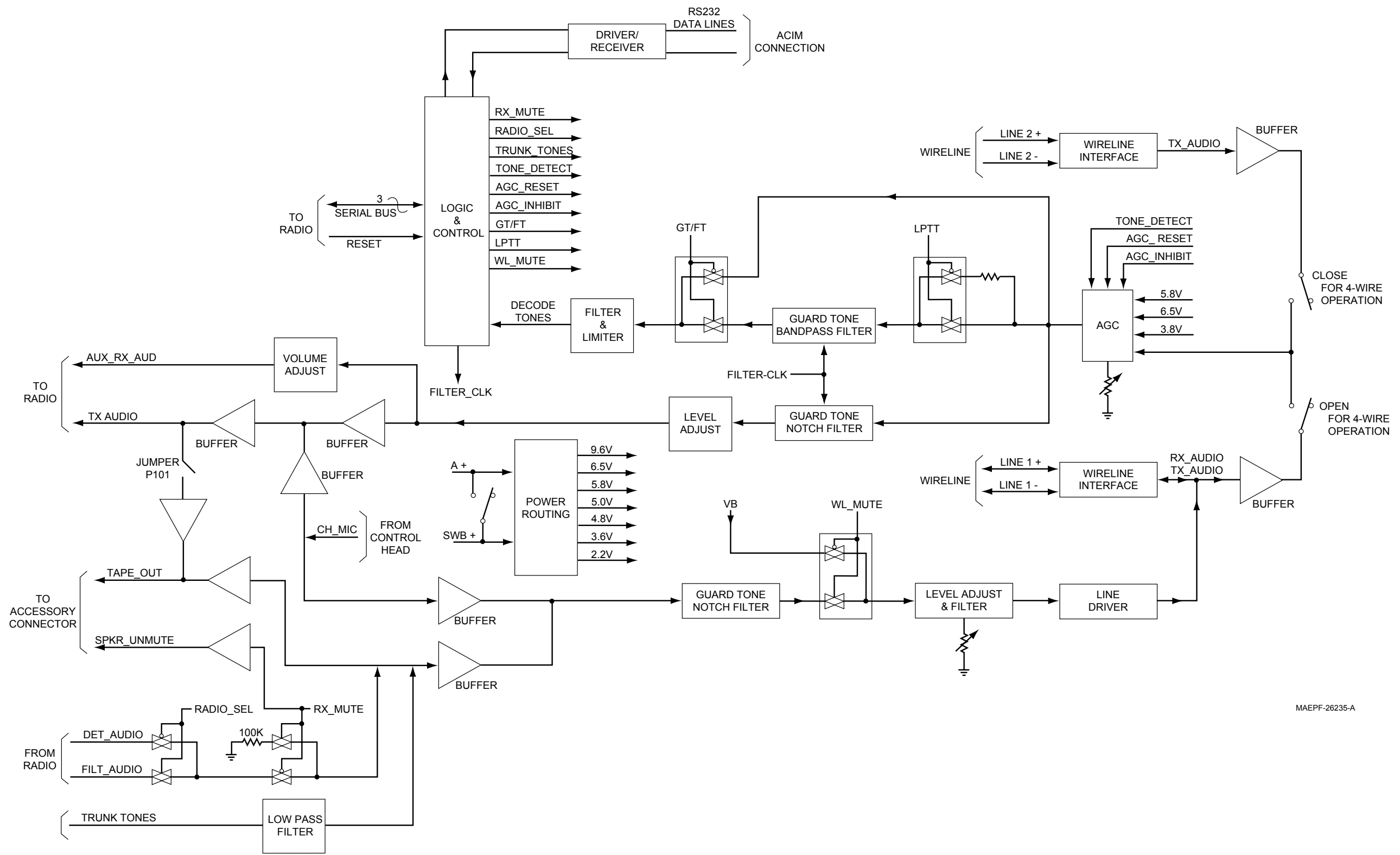
TRN7393B Component Location Diagram - Side 2

**ASTRO Spectra Console Exploded View  
Parts List**

| Ref. Des. | Part Number                 | Description  |
|-----------|-----------------------------|--|
| 1         | 0385144C01                  | SCREW, Control Panel (2 req'd)                                   |
| 2         | HLN1072A                    | CONTROL HEAD, ASTRO Spectra                                      |
| 4         | 3083139N40                  | CABLE, Control Head  |
| 5         | 6408270S01                  | PANEL, Front   |
| 6         | 3308509S05                  | NAMEPLATE  |
| 7         | 0784466T01                  | BRACKET, Control Head  |
| 8         | 3084459T01                  | CABLE, LED   |
| 9         | L114                        | OPTION, Clock/VU Meter   |
| 10        | 5005913X02                  | SPEAKER  |
| 11        | 0310945A11                  | SCREW, Speaker (4 req'd)   |
| 12        | 3084457T01                  | CABLE, Speaker   |
| 13        | 0784465T01                  | BRACKET, Radio (2 req'd)   |
| 14        | 0380114M02                  | SCREW, Radio Bracket (4 req'd)                                   |
| 15        | 3084460T01                  | CABLE, Radio   |
| 16        |                             | RADIO, ASTRO Spectra/<br>Spectra Plus                            |
| 17        | TRN7391<br>and PLN1360      | Audio Interface Board<br>Tone Remote Control Board<br>(Optional) |
| 18        | 3084493T01                  | CABLE Power  |
| 19        | 0112004E09                  | CABLE, Antenna   |
| 20        | 3808649S01                  | SUPPORT, N-Type  |
| 21        | FRN5358A                    | FAN  |
| 22        | 2708271S01<br>or 2708271S02 | CHASSIS, Main<br>CHASSIS, Main                                   |
| 23        | 5508626S01                  | LATCH (2 req'd)  |
| 24        | 3808649S02                  | COVER, N-Type (2 req'd)  |
| 25        | 3084462T01                  | CABLE, Accessory   |
| 26        | 1508346S01                  | COVER, Top   |
| 27        | HPN4005                     | SUPPLY, Power  |

**TRN7393B Control Head Interface Board Parts  
List**

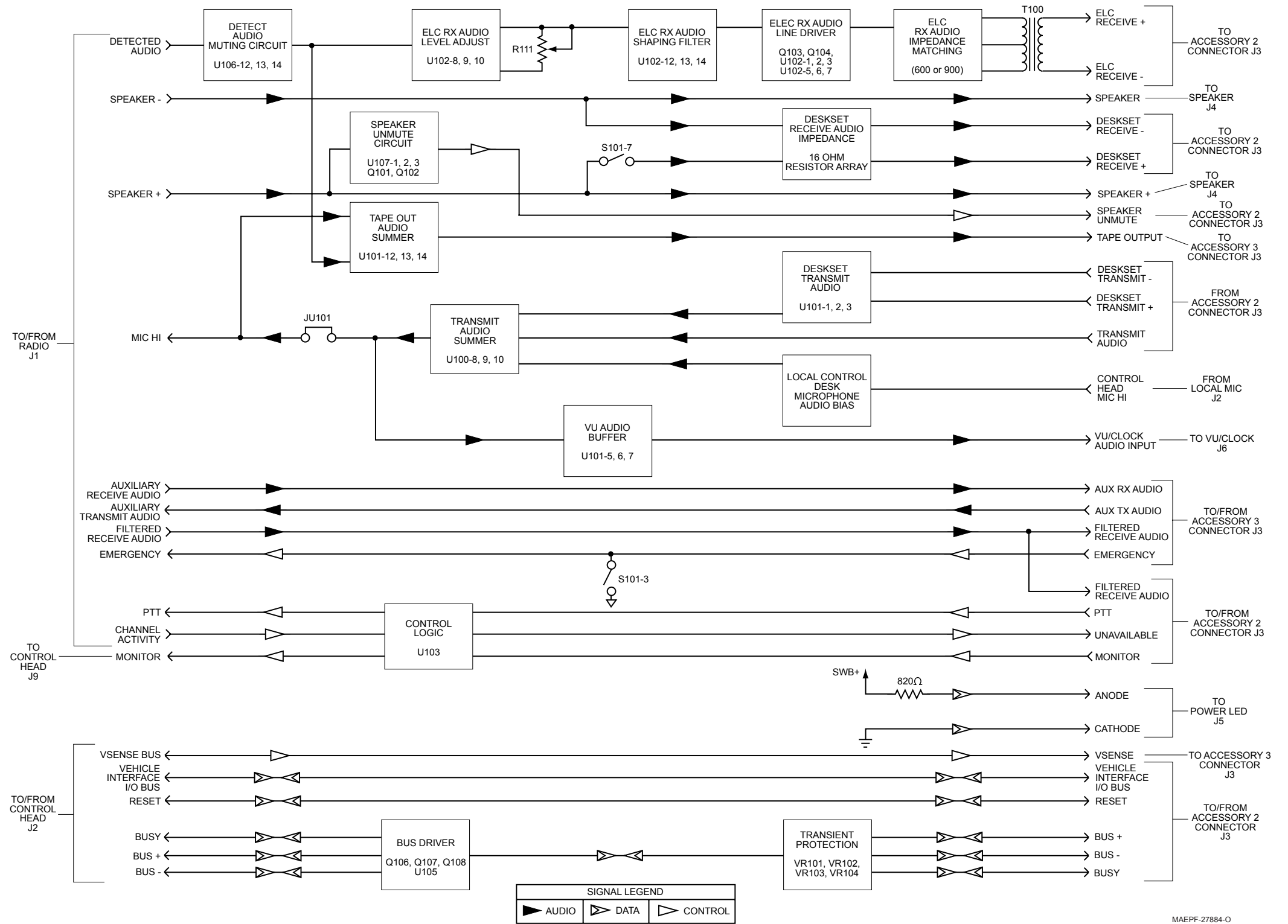
| Res. Des.  | Part Number        | Description   |
|--|--------------------|---|
|  |                    | CONNECTOR:  |
| J103   | 0980113M03         | Receptacle, 28-Contact  |
|  |                    | CONNECTOR:  |
| P502   | 3083139N40         | Cable, Flat (with<br>connectors)                                    |
|  |                    | <b>RESISTOR: <math>\Omega \pm 5\%</math>; 1/8W</b><br>unless stated |
| R1, 2  | 0611077B06         | 20k   |
| R3, 4  | 0611077A98         | 10k   |
| R5 thru 7  | 0611077A01         | 0 $\Omega$  |
|  |                    | MISCELLANEOUS:  |
|  | 5483865R01         | Label, Bar Code; 1/4"<br>Wide                                       |
|  | 8484501T03         | Board, Circuit  |
| <b>Notes:</b>  |                    |   |
| 1. For optimum performance, order replacement diodes, transistors, and circuit modules by Motorola part number only. |                    |   |
| 2. Part value notations:   |                    |   |
| p=10 <sup>-12</sup>  | n=10 <sup>-9</sup> | $\mu$ =10 <sup>-6</sup>   |
| m=10 <sup>-3</sup>   | k=10 <sup>3</sup>  | M=10 <sup>6</sup>   |



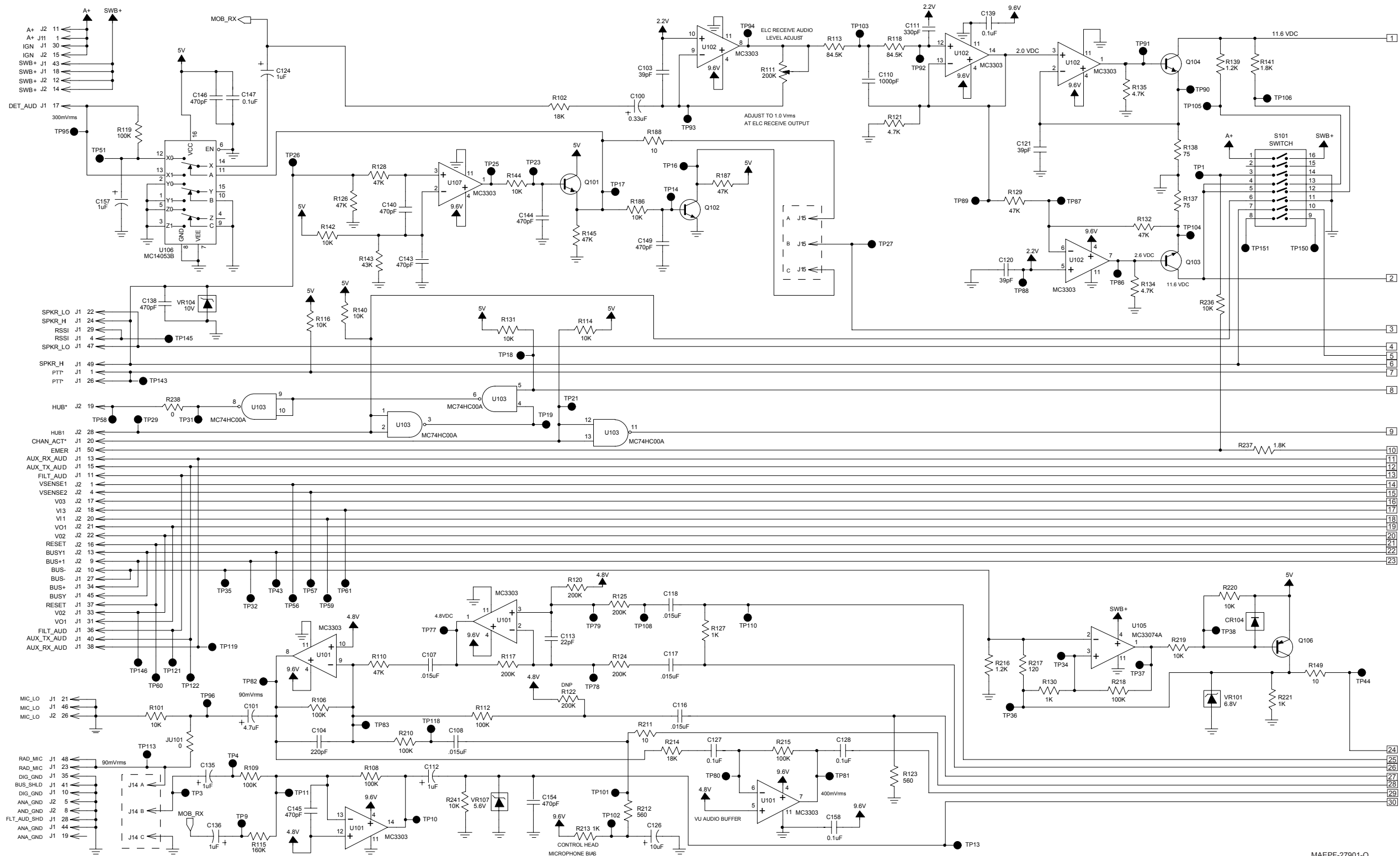
MAEPF-26235-A

**Tone Remote Control Board Block Diagram**



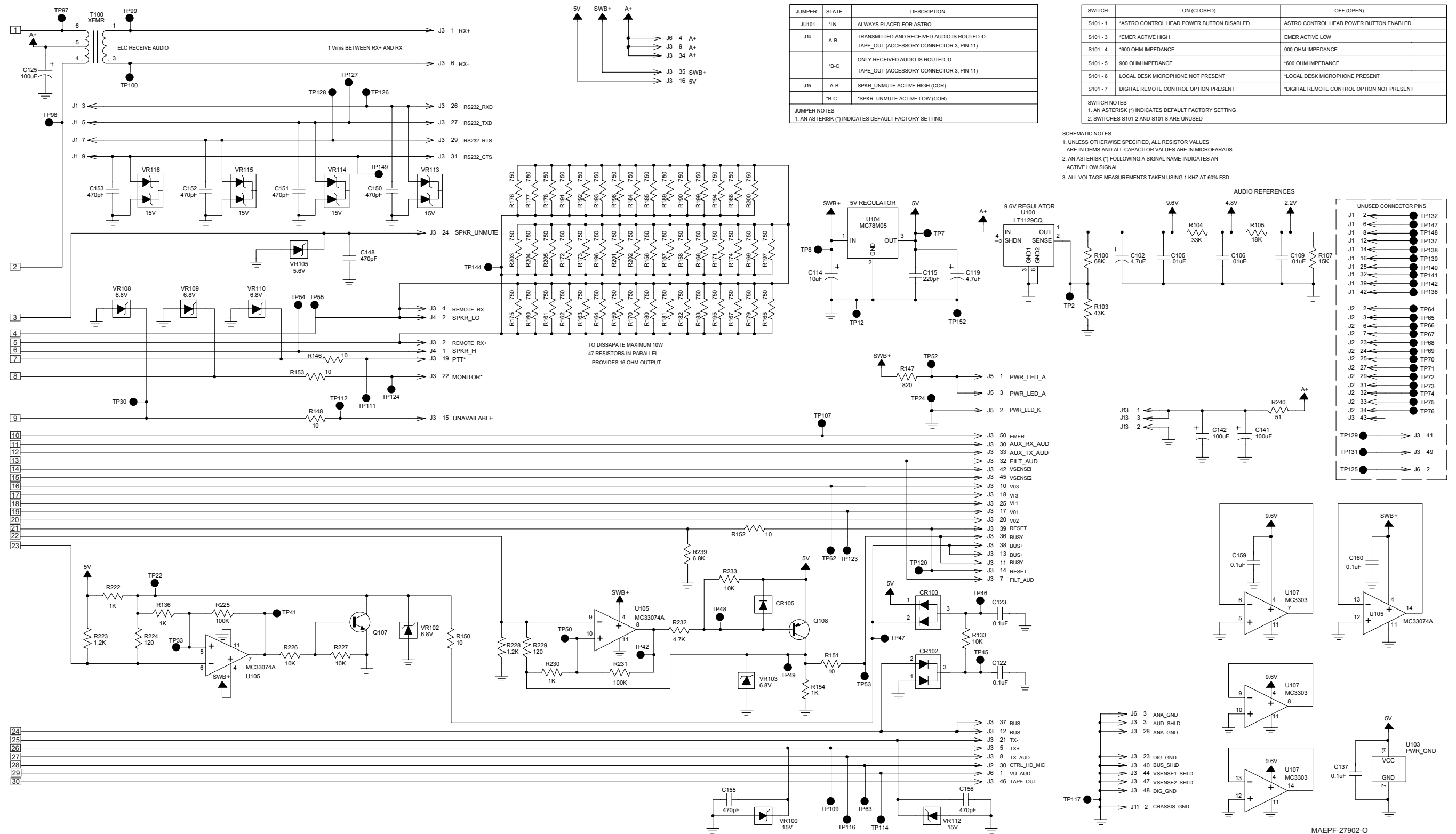


Audio Interface Board Block Diagram

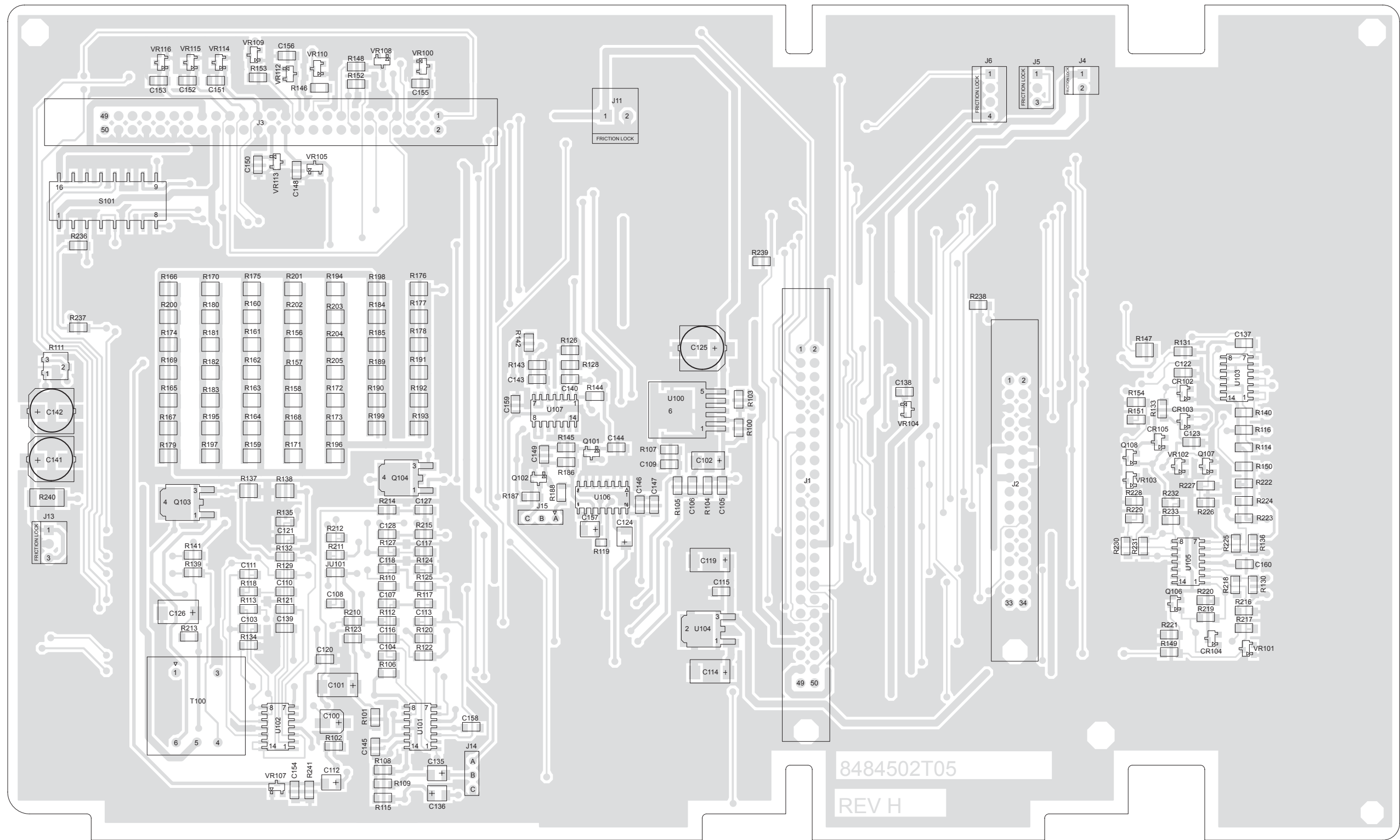


MAEPF-27901-O

TRN7391C Audio Interface Board Schematic Diagram (Sheet 1 of 2)



TRN7391C Audio Interface Board Schematic Diagram (Sheet 2 of 2)



MAEPF-27903-O

**TRN7391C Audio Interface Board**

**TRN7391C Audio Interface Board Parts List**

| Ref. Des. | Part Number | Description          |
|-----------|-------------|----------------------|
|           | 0984728L01  | Socket, Yellow Conn. |
|           | 0984728L01  | Socket, Yellow Conn. |
| C100      | 2380090M15  | CAP,0.33uF           |
| C101      | 2311049A15  | CAP,4.7uF            |
| C102      | 2311049A14  | CAP,4.7uF            |
| C103      | 2113740B39  | CAP,39pF             |
| C104      | 2113740B57  | CAP,220pF            |
| C105      | 2113741B45  | CAP,.01uF            |
| C106      | 2113741B45  | CAP,.01uF            |
| C107      | 2113741B49  | CAP,.015uF           |
| C108      | 2113741B49  | CAP,.015uF           |
| C109      | 2113741B45  | CAP,.01uF            |
| C110      | 2113740B73  | CAP,1000pF           |
| C111      | 2113740B61  | CAP,330pF            |
| C112      | 2311049A08  | CAP,1uF              |
| C113      | 2113740B33  | CAP,22pF             |
| C114      | 2311049A45  | CAP,10uF             |
| C115      | 2113740B57  | CAP,220pF            |
| C116      | 2113741B49  | CAP,.015uF           |
| C117      | 2113741B49  | CAP,.015uF           |
| C118      | 2113741B49  | CAP,.015uF           |
| C119      | 2311049A15  | CAP,4.7uF            |
| C120      | 2113740B39  | CAP,39pF             |
| C121      | 2113740B39  | CAP,39pF             |
| C122      | 2113741B69  | CAP,0.1uF            |
| C123      | 2113741B69  | CAP,0.1uF            |
| C124      | 2311049A08  | CAP,1uF              |
| C125      | 2380090M25  | CAP,100uF            |
| C126      | 2311049A45  | CAP,10uF             |
| C127      | 2113741B69  | CAP,0.1uF            |
| C128      | 2113741B69  | CAP,0.1uF            |
| C135      | 2311049A08  | CAP,1uF              |

| Ref. Des. | Part Number | Description |
|-----------|-------------|-------------|
| C136      | 2311049A08  | CAP,1uF     |
| C137      | 2113741B69  | CAP,0.1uF   |
| C138      | 2113740B65  | CAP,470pF   |
| C139      | 2113741B69  | CAP,0.1uF   |
| C140      | 2113740B65  | CAP,470pF   |
| C141      | 2380090M25  | CAP,100uF   |
| C142      | 2380090M25  | CAP,100uF   |
| C143      | 2113740B65  | CAP,470pF   |
| C144      | 2113740B65  | CAP,470pF   |
| C145      | 2113740B65  | CAP,470pF   |
| C146      | 2113740B65  | CAP,470pF   |
| C147      | 2113741B69  | CAP,0.1uF   |
| C148      | 2113740B65  | CAP,470pF   |
| C149      | 2113740B65  | CAP,470pF   |
| C150      | 2113740B65  | CAP,470pF   |
| C151      | 2113740B65  | CAP,470pF   |
| C152      | 2113740B65  | CAP,470pF   |
| C153      | 2113740B65  | CAP,470pF   |
| C154      | 2113740B65  | CAP,470pF   |
| C155      | 2113740B65  | CAP,470pF   |
| C156      | 2113740B65  | CAP,470pF   |
| C157      | 2311049A08  | CAP,1uF     |
| C158      | 2113741B69  | CAP,0.1uF   |
| C159      | 2113741B69  | CAP,0.1uF   |
| C160      | 2113741B69  | CAP,0.1uF   |
| CR102     | 4813833C04  | BAV70       |
| CR103     | 4813833C03  | BAW56       |
| CR104     | 4813833C10  | MMBD6050    |
| CR105     | 4813833C10  | MMBD6050    |
| J1        | 2882505T15  | CONN_P      |
| J2        | 2882505T04  | CONN_P      |
| J3        | 2882505T15  | CONN_P      |

| Ref. Des. | Part Number | Description |
|-----------|-------------|-------------|
| J4        | 2884324M07  | CONN_P      |
| J5        | 2884324M08  | CONN_P      |
| J6        | 2884324M09  | CONN_P      |
| J11       | 2880004T02  | CONN_P      |
| J13       | 2884324M08  | CONN_P      |
| J14       | 2880001R03  | CONN_P      |
| J15       | 2880001R03  | CONN_P      |
| JU101     | 0611077A01  | RES, 0      |
| Q101      | 4813824A10  | MMBT3904    |
| Q102      | 4813824A10  | MMBT3904    |
| Q103      | 4813822A07  | MJD340      |
| Q104      | 4813822A07  | MJD340      |
| Q106      | 4813824A18  | MMBT4403    |
| Q107      | 4813824A11  | MMBT2222A   |
| Q108      | 4813824A18  | MMBT4403    |
| R100      | 0611077B19  | RES,68K     |
| R101      | 0611077A98  | RES,10K     |
| R102      | 0611077B05  | RES,18K     |
| R103      | 0611077B14  | RES,43K     |
| R104      | 0611077B11  | RES,33K     |
| R105      | 0611077B05  | RES,18K     |
| R106      | 0611077B23  | RES,100K    |
| R107      | 0611077B03  | RES,15K     |
| R108      | 0611077B23  | RES,100K    |
| R109      | 0611077B23  | RES,100K    |
| R110      | 0611077B15  | RES,47K     |
| R111      | 1813905A14  | RES,200K    |
| R112      | 0611077B23  | RES,100K    |
| R113      | 0611077G81  | RES,84.5K   |
| R114      | 0611077A98  | RES,10K     |
| R115      | 0611077B28  | RES,160K    |
| R116      | 0611077A98  | RES,10K     |

| Ref. Des. | Part Number | Description |
|-----------|-------------|-------------|
| R117      | 0611077B30  | RES,200K    |
| R118      | 0611077G81  | RES,84.5K   |
| R119      | 0611079B23  | RES,100K    |
| R120      | 0611077B30  | RES,200K    |
| R121      | 0611077A90  | RES,4.7K    |
| R122      | 0611077B30  | RES,200K    |
| R123      | 0611077A68  | RES,560     |
| R124      | 0611077B30  | RES,200K    |
| R125      | 0611077B30  | RES,200K    |
| R126      | 0611077B15  | RES,47K     |
| R127      | 0611077A74  | RES,1K      |
| R128      | 0611077B15  | RES,47K     |
| R129      | 0611077B15  | RES,47K     |
| R130      | 0611077A74  | RES,1K      |
| R131      | 0611077A98  | RES,10K     |
| R132      | 0611077B15  | RES,47K     |
| R133      | 0611077A98  | RES,10K     |
| R134      | 0611077A90  | RES,4.7K    |
| R135      | 0611077A90  | RES,4.7K    |
| R136      | 0611077A74  | RES,1K      |
| R137      | 0611072A22  | RES,75      |
| R138      | 0611072A22  | RES,75      |
| R139      | 0611077A76  | RES,1.2K    |
| R140      | 0611077A98  | RES,10K     |
| R141      | 0611077A80  | RES,1.8K    |
| R142      | 0611077A98  | RES,10K     |
| R143      | 0611077B14  | RES,43K     |
| R144      | 0611077A98  | RES,10K     |
| R145      | 0611077B15  | RES,47K     |
| R146      | 0611077A26  | RES,10      |
| R147      | 0611072A47  | RES,820     |
| R148      | 0611077A26  | RES,10      |

| Ref. Des. | Part Number | Description |
|-----------|-------------|-------------|
| R149      | 0611077A26  | RES,10      |
| R150      | 0611077A26  | RES,10      |
| R151      | 0611077A26  | RES,10      |
| R152      | 0611077A26  | RES,10      |
| R153      | 0611077A26  | RES,10      |
| R154      | 0611077A74  | RES,1K      |
| R156      | 0611072A46  | RES,750     |
| R157      | 0611072A46  | RES,750     |
| R158      | 0611072A46  | RES,750     |
| R159      | 0611072A46  | RES,750     |
| R160      | 0611072A46  | RES,750     |
| R161      | 0611072A46  | RES,750     |
| R162      | 0611072A46  | RES,750     |
| R163      | 0611072A46  | RES,750     |
| R164      | 0611072A46  | RES,750     |
| R165      | 0611072A46  | RES,750     |
| R166      | 0611072A46  | RES,750     |
| R167      | 0611072A46  | RES,750     |
| R168      | 0611072A46  | RES,750     |
| R169      | 0611072A46  | RES,750     |
| R170      | 0611072A46  | RES,750     |
| R171      | 0611072A46  | RES,750     |
| R172      | 0611072A46  | RES,750     |
| R173      | 0611072A46  | RES,750     |
| R174      | 0611072A46  | RES,750     |
| R175      | 0611072A46  | RES,750     |
| R176      | 0611072A46  | RES,750     |
| R177      | 0611072A46  | RES,750     |
| R178      | 0611072A46  | RES,750     |
| R179      | 0611072A46  | RES,750     |
| R180      | 0611072A46  | RES,750     |
| R181      | 0611072A46  | RES,750     |

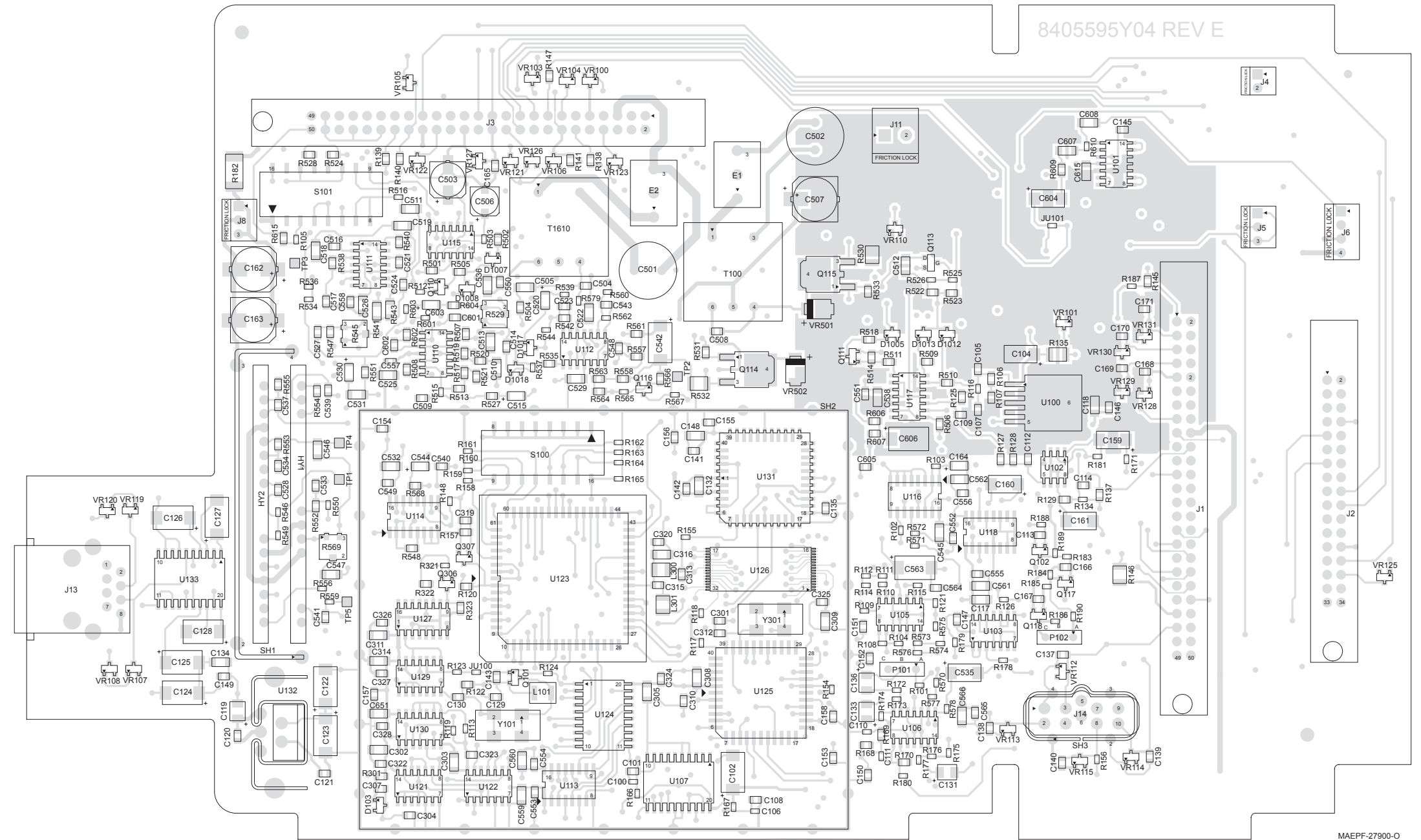
| Ref. Des. | Part Number | Description |
|-----------|-------------|-------------|
| R182      | 0611072A46  | RES,750     |
| R183      | 0611072A46  | RES,750     |
| R184      | 0611072A46  | RES,750     |
| R185      | 0611072A46  | RES,750     |
| R186      | 0611077A98  | RES,10K     |
| R187      | 0611077B15  | RES,47K     |
| R188      | 0611077A26  | RES,10      |
| R189      | 0611072A46  | RES,750     |
| R190      | 0611072A46  | RES,750     |
| R191      | 0611072A46  | RES,750     |
| R192      | 0611072A46  | RES,750     |
| R193      | 0611072A46  | RES,750     |
| R194      | 0611072A46  | RES,750     |
| R195      | 0611072A46  | RES,750     |
| R196      | 0611072A46  | RES,750     |
| R197      | 0611072A46  | RES,750     |
| R198      | 0611072A46  | RES,750     |
| R199      | 0611072A46  | RES,750     |
| R200      | 0611072A46  | RES,750     |
| R201      | 0611072A46  | RES,750     |
| R202      | 0611072A46  | RES,750     |
| R203      | 0611072A46  | RES,750     |
| R204      | 0611072A46  | RES,750     |
| R205      | 0611072A46  | RES,750     |
| R210      | 0611077B23  | RES,100K    |
| R211      | 0611077A26  | RES,10      |
| R212      | 0611077A68  | RES,560     |
| R213      | 0611077A74  | RES,1K      |
| R214      | 0611077B05  | RES,18K     |
| R215      | 0611077B23  | RES,100K    |
| R216      | 0611077A76  | RES,1.2K    |
| R217      | 0611077A52  | RES,120     |

| Ref. Des. | Part Number | Description |
|-----------|-------------|-------------|
| R218      | 0611077B23  | RES,100K    |
| R219      | 0611077A98  | RES,10K     |
| R220      | 0611077A98  | RES,10K     |
| R221      | 0611077A74  | RES,1K      |
| R222      | 0611077A74  | RES,1K      |
| R223      | 0611077A76  | RES,1.2K    |
| R224      | 0611077A52  | RES,120     |
| R225      | 0611077B23  | RES,100K    |
| R226      | 0611077A98  | RES,10K     |
| R227      | 0611077A98  | RES,10K     |
| R228      | 0611077A76  | RES,1.2K    |
| R229      | 0611077A52  | RES,120     |
| R230      | 0611077A74  | RES,1K      |
| R231      | 0611077B23  | RES,100K    |
| R232      | 0611077A90  | RES,4.7K    |
| R233      | 0611077A98  | RES,10K     |
| R236      | 0611077A98  | RES,10K     |
| R237      | 0611077A80  | RES,1.8K    |
| R238      | 0611077A01  | RES,0       |
| R239      | 0611077A94  | RES,6.8K    |
| R240      | 0680194M18  | RES,51      |
| R241      | 0611077A98  | RES,10K     |
| S101      | 4083706T01  | SWITCH      |
| T100      | 2584422T01  | XFMR        |
| U100      | 5105109Z13  | LT1129CQ    |
| U101      | 5113819A04  | MC3303      |
| U102      | 5113819A04  | MC3303      |
| U103      | 5113805A01  | MC74HC00A   |
| U104      | 5113816A07  | MC78M05     |
| U105      | 5113819A05  | MC33074A    |
| U106      | 5113806A20  | MC14053B    |
| U107      | 5113819A04  | MC3303      |

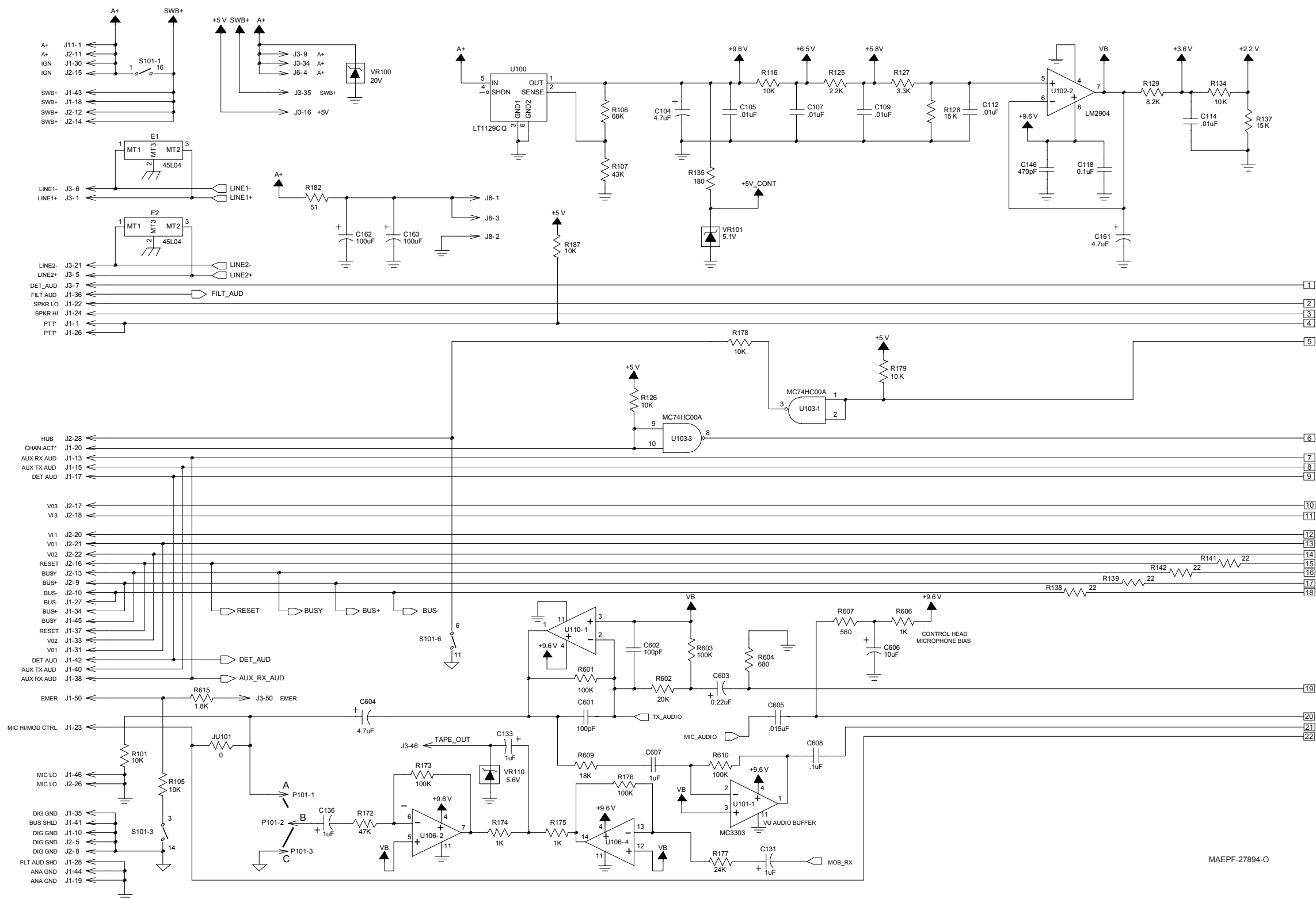
| Ref. Des. | Part Number | Description |
|-----------|-------------|-------------|
| VR100     | 4813830A28  | MMBZ5245B   |
| VR101     | 4813830A18  | MMBZ5235B   |
| VR102     | 4813830A18  | MMBZ5235B   |
| VR103     | 4813830A18  | MMBZ5235B   |
| VR104     | 4813830A23  | MMBZ5240B   |
| VR105     | 4813830A15  | MMBZ5232B   |
| VR107     | 4813830A15  | MMBZ5232B   |
| VR108     | 4813830A18  | MMBZ5235B   |
| VR109     | 4813830A18  | MMBZ5235B   |
| VR110     | 4813830A18  | MMBZ5235B   |
| VR112     | 4813830A28  | MMBZ5245B   |
| VR113     | 4813832C28  | MMBZ15      |
| VR114     | 4813832C28  | MMBZ15      |
| VR115     | 4813832C28  | MMBZ15      |
| VR116     | 4813832C28  | MMBZ15      |

FRONT SIDE

8405595Y04 REV E

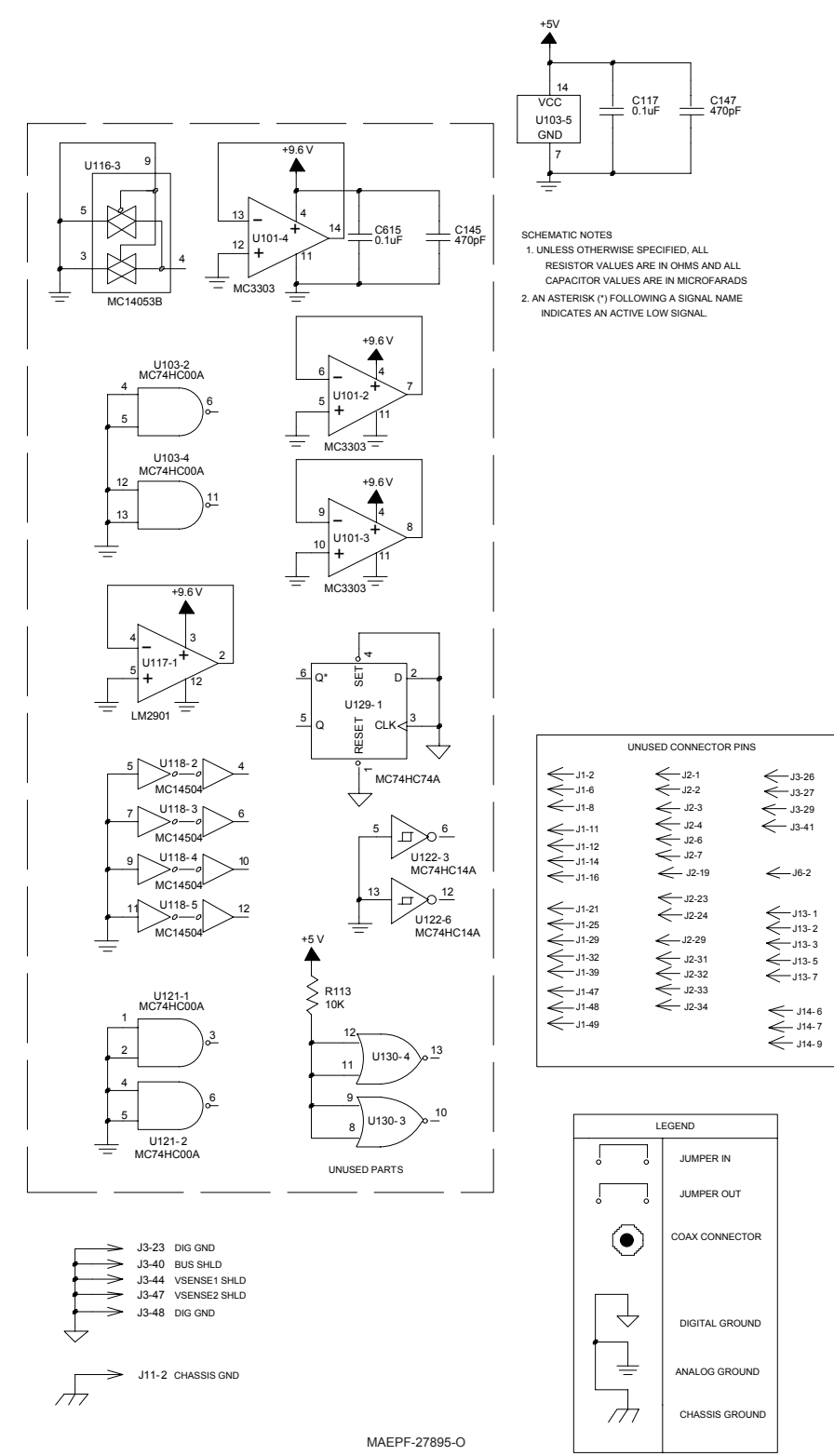
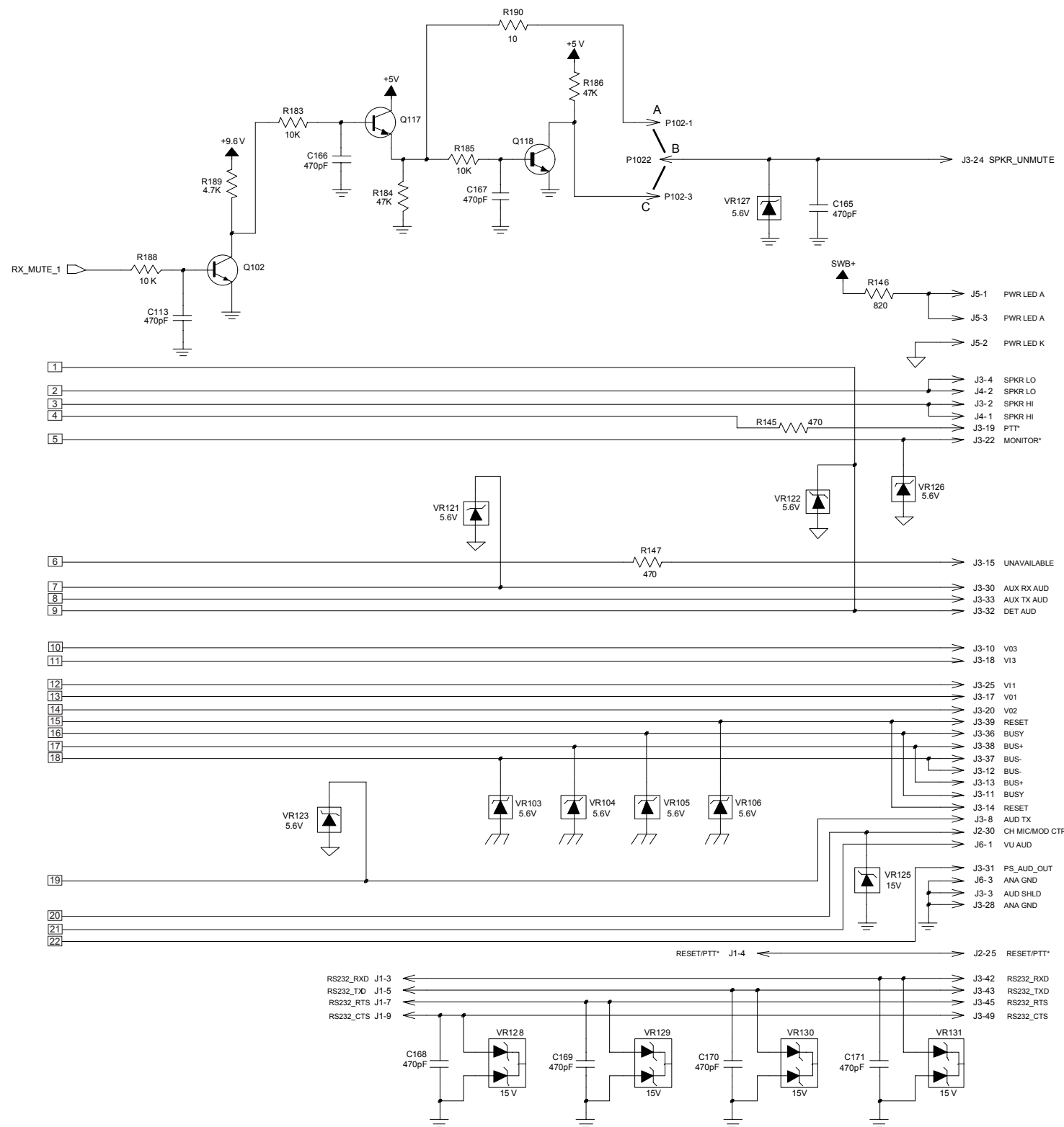


PLN1360C Tone Remote Control Board Component Location Diagram (viewed from side 1)

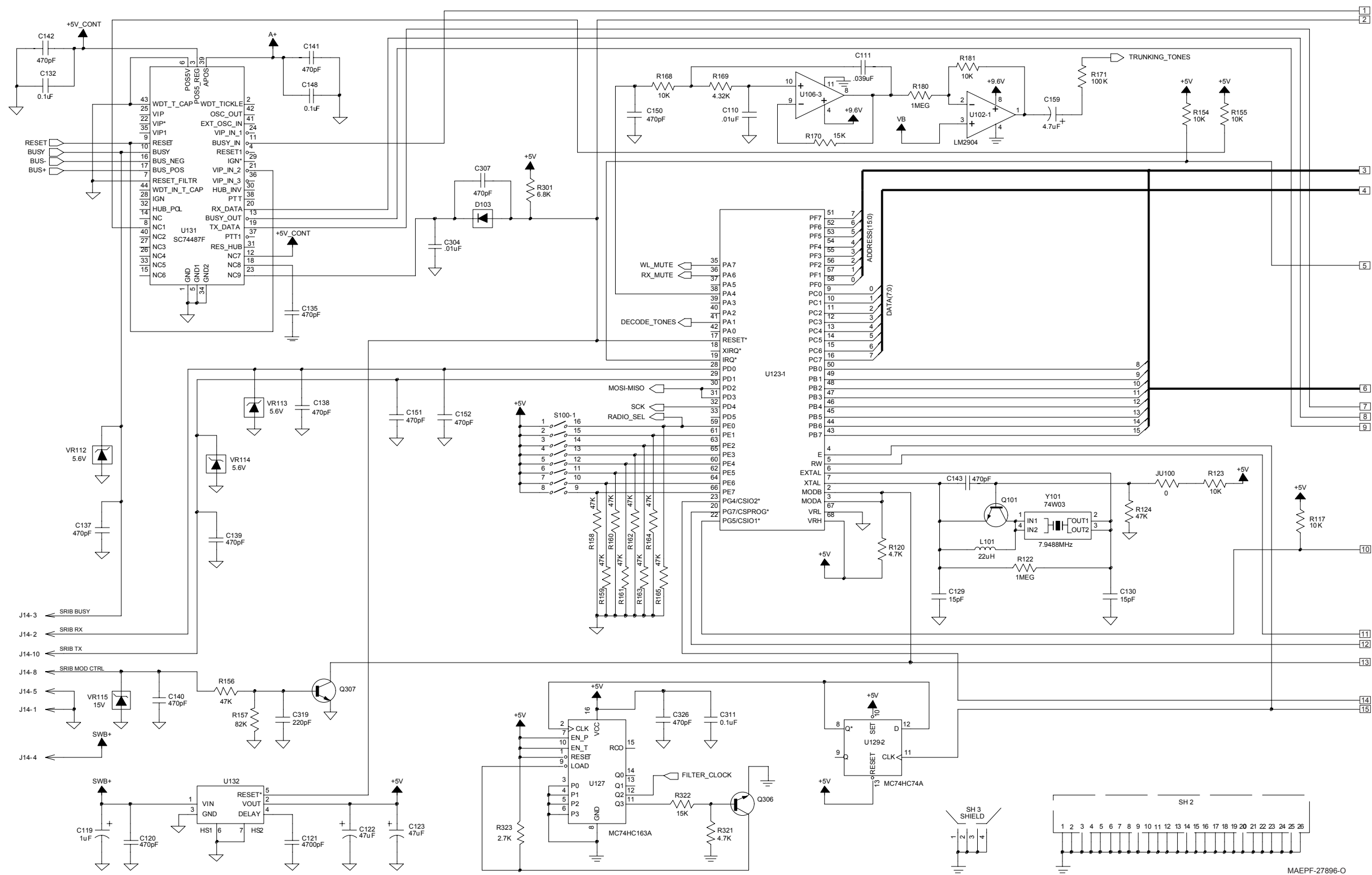


PLN1360C Tone Remote Control Board Schematic Diagram (Sheet 1 of 6)

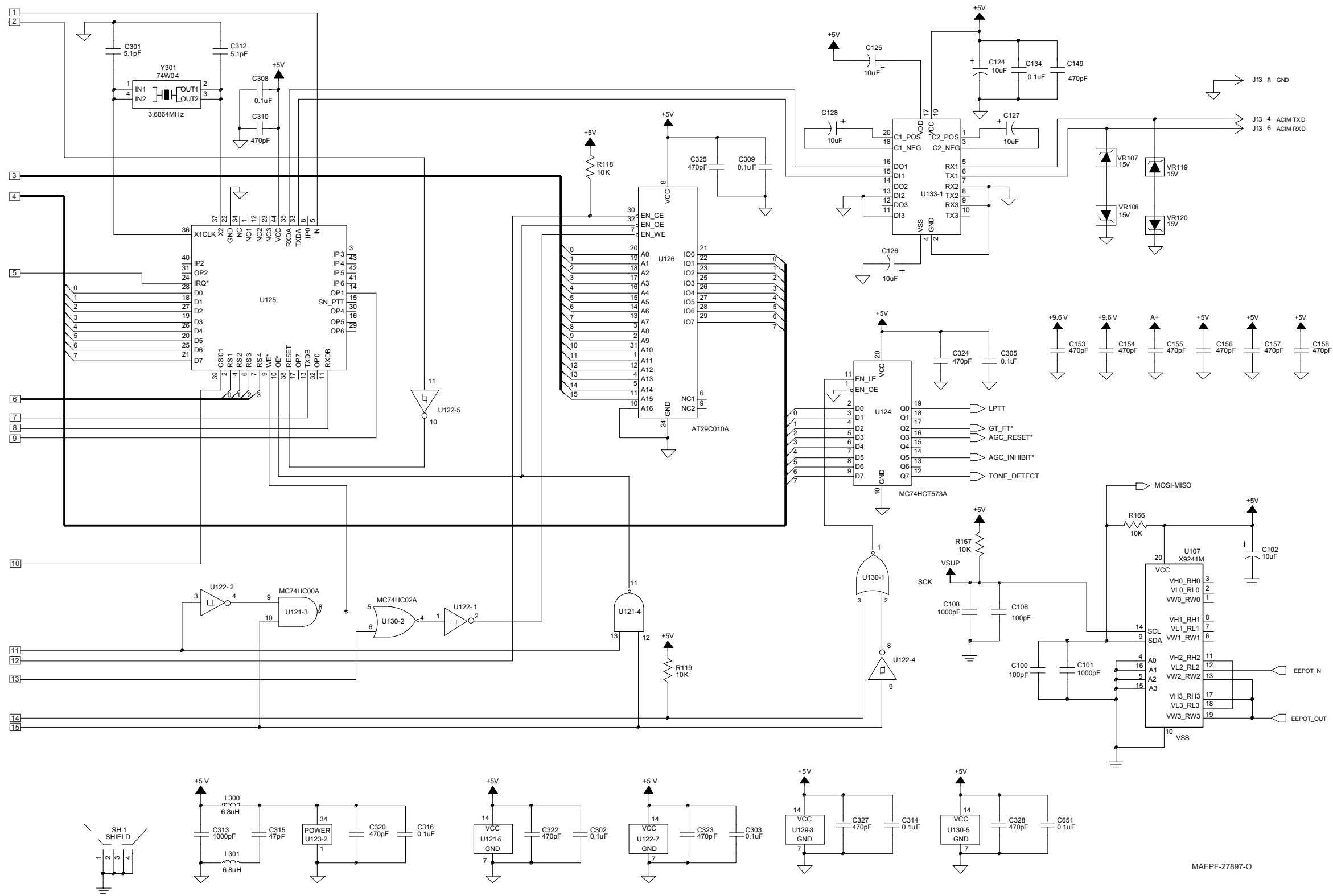




PLN1360C Tone Remote Control Board Schematic Diagram (Sheet 2 of 6)

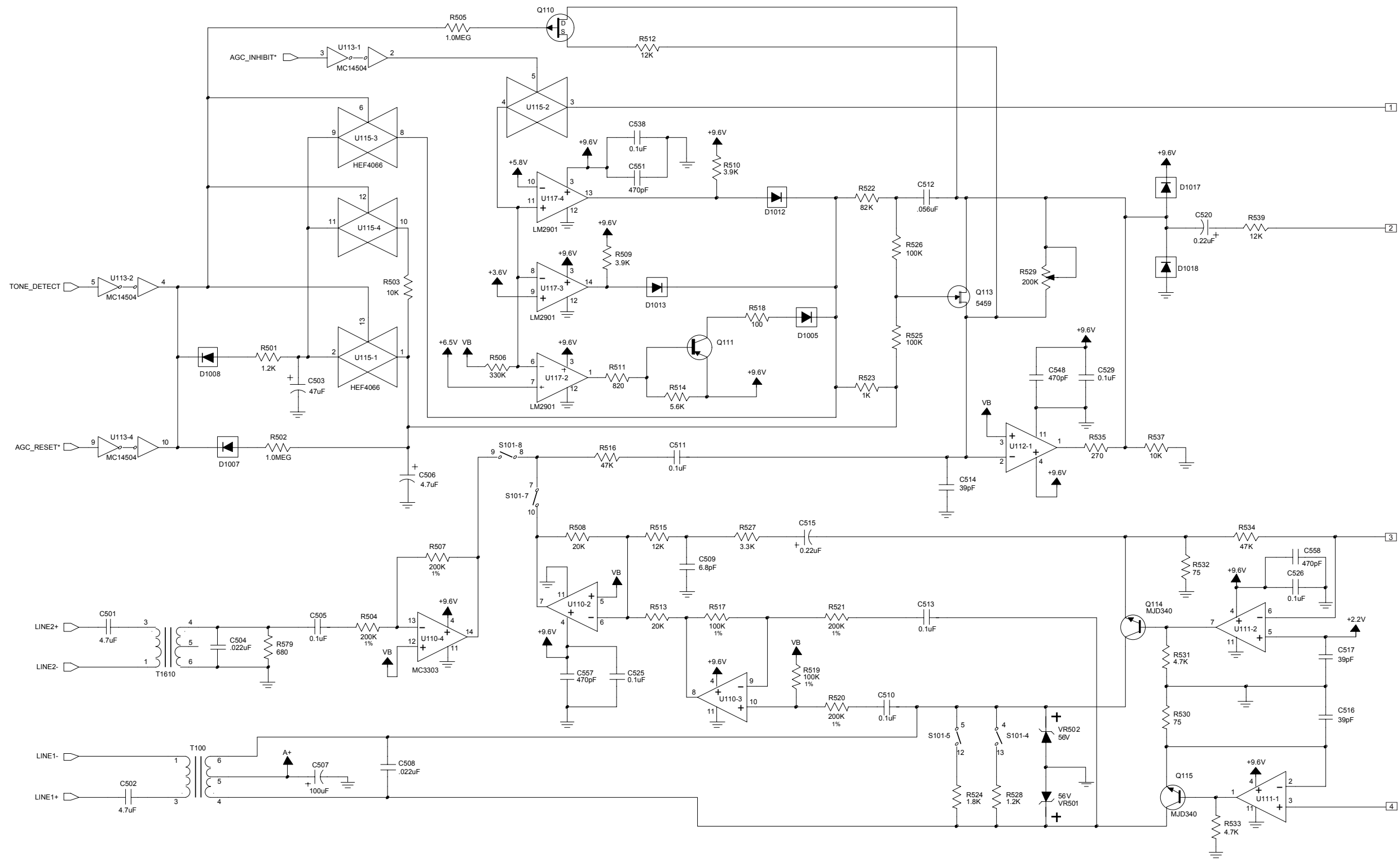


PLN1360C Tone Remote Control Board Schematic Diagram (Sheet 3 of 6)



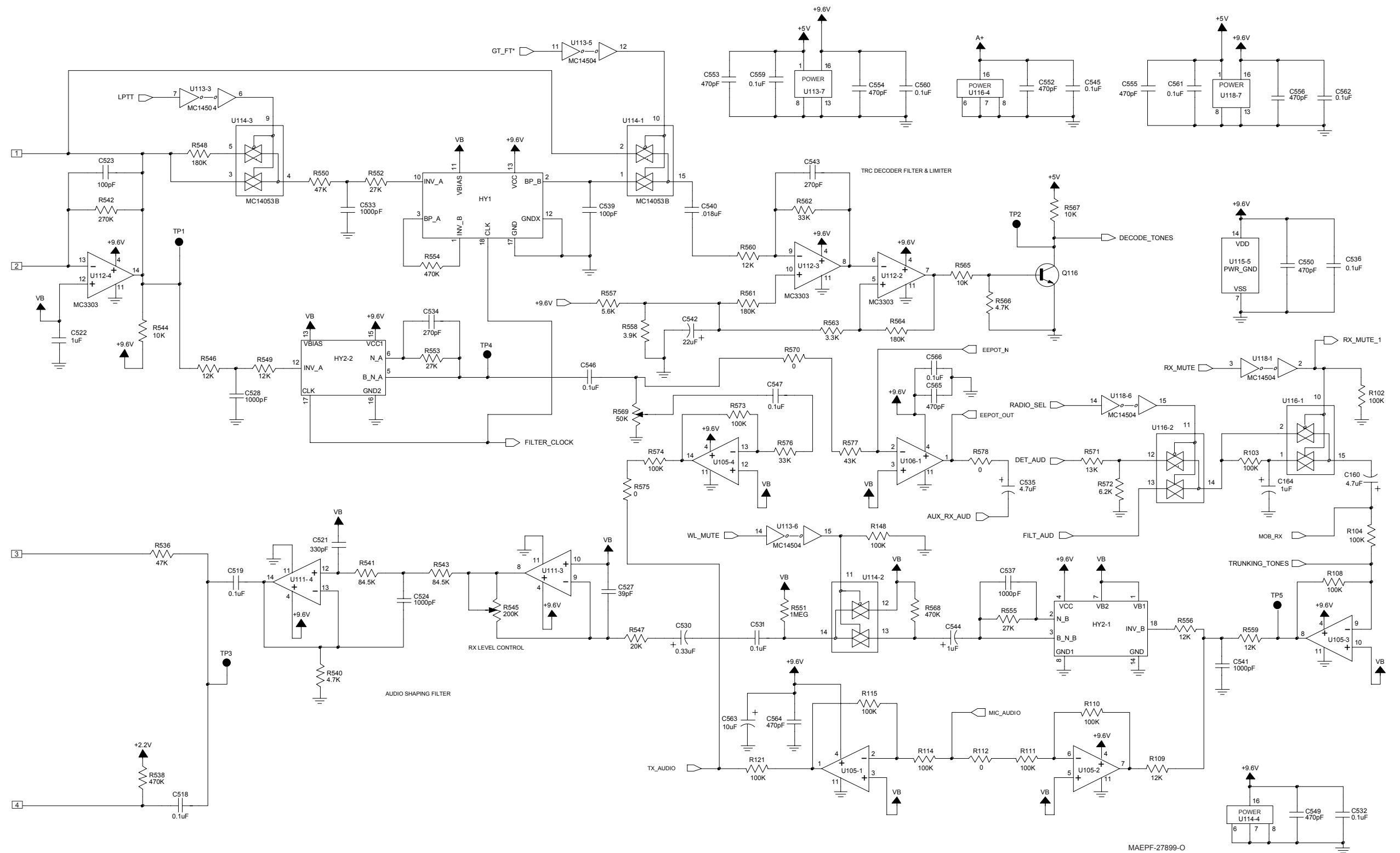
PLN1360C Tone Remote Control Board Schematic Diagram (Sheet 4 of 6)

MAEPF-27897-O



MAEPF-27898-O

PLN1360C Tone Remote Control Board Schematic Diagram (Sheet 5 of 6)



PLN1360C Tone Remote Control Board Schematic Diagram (Sheet 6 of 6)

**PLN1360C Tone Remote Control Board  
Electrical Parts List**

| Ref. Des. | Part Number | Description                  |
|-----------|-------------|------------------------------|
| -         | 2605255S01  | HT SINK                      |
| -         | 2605455Z04  | SHLD 3 X 3.5 COVER           |
| C100      | 2113740F51  | CAP CHIP REEL CL1 +/-30 100  |
| C101      | 2113741A21  | CAP CHIP CL2 X7R REEL 1000   |
| C102      | 2311049A19  | CAP TANT CHIP 10 10 25 A/P   |
| C104      | 2311049A14  | CAP TANT CHIP 4.7 1020 A/P   |
| C105      | 2113741A45  | CAP CHIP CL2 X7R REEL 10000  |
| C106      | 2113740F51  | CAP CHIP REEL CL1 +/-30 100  |
| C107      | 2113741A45  | CAP CHIP CL2 X7R REEL 10000  |
| C108      | 2113741A21  | CAP CHIP CL2 X7R REEL 1000   |
| C109      | 2113741A45  | CAP CHIP CL2 X7R REEL 10000  |
| C110      | 2113741F49  | CAP CHIP CL2 X7R REEL 10000  |
| C111      | 2113743K05  | CER CHIP CAP .039UF          |
| C112      | 2113741A45  | CAP CHIP CL2 X7R REEL 10000  |
| C113      | 2113741A13  | CAP CHIP CL2 X7R REEL 470    |
| C114      | 2113741A45  | CAP CHIP CL2 X7R REEL 10000  |
| C117      | 2113741B69  | CAP CHIP CL2 X7R REEL 100000 |
| C118      | 2113741B69  | CAP CHIP CL2 X7R REEL 100000 |
| C119      | 2311049A08  | CAP TANT CHIP 1 10 35 A/P    |
| C120      | 2113741A13  | CAP CHIP CL2 X7R REEL 470    |
| C121      | 2113741A37  | CAP CHIP CL2 X7R REEL 4700   |
| C122      | 2311049A23  | CAP TANT CHIP 47 10 10       |
| C123      | 2311049A23  | CAP TANT CHIP 47 10 10       |
| C124      | 2311049A19  | CAP TANT CHIP 10 10 25 A/P   |
| C125      | 2311049A19  | CAP TANT CHIP 10 10 25 A/P   |
| C126      | 2311049A19  | CAP TANT CHIP 10 10 25 A/P   |
| C127      | 2311049A19  | CAP TANT CHIP 10 10 25 A/P   |
| C128      | 2311049A19  | CAP TANT CHIP 10 10 25 A/P   |
| C129      | 2113740A33  | CAP CHIP REEL CL1 +/-30 15   |
| C130      | 2113740A33  | CAP CHIP REEL CL1 +/-30 15   |
| C131      | 2311049A08  | CAP TANT CHIP 1 10 35 A/P    |

| Ref. Des. | Part Number | Description                  |
|-----------|-------------|------------------------------|
| C132      | 2113741B69  | CAP CHIP CL2 X7R REEL 100000 |
| C133      | 2311049A08  | CAP TANT CHIP 1 10 35 A/P    |
| C134      | 2113741B69  | CAP CHIP CL2 X7R REEL 100000 |
| C135      | 2113741A13  | CAP CHIP CL2 X7R REEL 470    |
| C136      | 2311049A08  | CAP TANT CHIP 1 10 35 A/P    |
| C137      | 2113741A13  | CAP CHIP CL2 X7R REEL 470    |
| C138      | 2113741A13  | CAP CHIP CL2 X7R REEL 470    |
| C139      | 2113741A13  | CAP CHIP CL2 X7R REEL 470    |
| C140      | 2113741A13  | CAP CHIP CL2 X7R REEL 470    |
| C141      | 2113741A13  | CAP CHIP CL2 X7R REEL 470    |
| C142      | 2113741A13  | CAP CHIP CL2 X7R REEL 470    |
| C143      | 2113741A13  | CAP CHIP CL2 X7R REEL 470    |
| C145      | 2113741A13  | CAP CHIP CL2 X7R REEL 470    |
| C146      | 2113741A13  | CAP CHIP CL2 X7R REEL 470    |
| C147      | 2113741A13  | CAP CHIP CL2 X7R REEL 470    |
| C148      | 2113741B69  | CAP CHIP CL2 X7R REEL 100000 |
| C149      | 2113741A13  | CAP CHIP CL2 X7R REEL 470    |
| C150      | 2113741A13  | CAP CHIP CL2 X7R REEL 470    |
| C151      | 2113741A13  | CAP CHIP CL2 X7R REEL 470    |
| C152      | 2113741A13  | CAP CHIP CL2 X7R REEL 470    |
| C153      | 2113741A13  | CAP CHIP CL2 X7R REEL 470    |
| C154      | 2113741A13  | CAP CHIP CL2 X7R REEL 470    |
| C155      | 2113741A13  | CAP CHIP CL2 X7R REEL 470    |
| C156      | 2113741A13  | CAP CHIP CL2 X7R REEL 470    |
| C157      | 2113741A13  | CAP CHIP CL2 X7R REEL 470    |
| C158      | 2113741A13  | CAP CHIP CL2 X7R REEL 470    |
| C159      | 2311049A14  | CAP TANT CHIP 4.7 1020 A/P   |
| C160      | 2311049A14  | CAP TANT CHIP 4.7 1020 A/P   |
| C161      | 2311049A14  | CAP TANT CHIP 4.7 1020 A/P   |
| C162      | 2380090M25  | CAP ALU 100UF 25V            |
| C163      | 2380090M25  | CAP ALU 100UF 25V            |
| C164      | 2311049A07  | CAP TANT CHIP 1 10 16 A/P    |
| C165      | 2113741A13  | CAP CHIP CL2 X7R REEL 470    |
| C166      | 2113741A13  | CAP CHIP CL2 X7R REEL 470    |
| C167      | 2113741A13  | CAP CHIP CL2 X7R REEL 470    |
| C168      | 2113741A13  | CAP CHIP CL2 X7R REEL 470    |
| C169      | 2113741A13  | CAP CHIP CL2 X7R REEL 470    |

| Ref. Des. | Part Number | Description                    |
|-----------|-------------|--------------------------------|
| C170      | 2113741A13  | CAP CHIP CL2 X7R REEL 470      |
| C171      | 2113741A13  | CAP CHIP CL2 X7R REEL 470      |
| C301      | 2113740A20  | CAP CHIP REEL CL1 +/-30 5.1    |
| C302      | 2113741B69  | CAP CHIP CL2 X7R REEL 100000   |
| C303      | 2113741B69  | CAP CHIP CL2 X7R REEL 100000   |
| C304      | 2113741A45  | CAP CHIP CL2 X7R REEL 10000    |
| C305      | 2113741B69  | CAP CHIP CL2 X7R REEL 100000   |
| C307      | 2113741A13  | CAP CHIP CL2 X7R REEL 470      |
| C308      | 2113741B69  | CAP CHIP CL2 X7R REEL 100000   |
| C309      | 2113741B69  | CAP CHIP CL2 X7R REEL 100000   |
| C310      | 2113741A13  | CAP CHIP CL2 X7R REEL 470      |
| C311      | 2113741B69  | CAP CHIP CL2 X7R REEL 100000   |
| C312      | 2113740A20  | CAP CHIP REEL CL1 +/-30 5.1    |
| C313      | 2113740A79  | CAP CHIP REEL CL1 +/-30 1000   |
| C314      | 2113741B69  | CAP CHIP CL2 X7R REEL 100000   |
| C315      | 2113740A46  | CAP CHIP REEL CL1 +/-30 47     |
| C316      | 2113741B69  | CAP CHIP CL2 X7R REEL 100000   |
| C319      | 2113740A63  | CAP CHIP REEL CL1 +/-30 220    |
| C320      | 2113741A13  | CAP CHIP CL2 X7R REEL 470      |
| C322      | 2113741A13  | CAP CHIP CL2 X7R REEL 470      |
| C323      | 2113741A13  | CAP CHIP CL2 X7R REEL 470      |
| C324      | 2113741A13  | CAP CHIP CL2 X7R REEL 470      |
| C325      | 2113741A13  | CAP CHIP CL2 X7R REEL 470      |
| C326      | 2113741A13  | CAP CHIP CL2 X7R REEL 470      |
| C327      | 2113741A13  | CAP CHIP CL2 X7R REEL 470      |
| C328      | 2113741A13  | CAP CHIP CL2 X7R REEL 470      |
| C501      | 2382174V01  | CAP LYTIC 4.7UF 200V 20% N/PLR |
| C502      | 2382174V01  | CAP LYTIC 4.7UF 200V 20% N/PLR |
| C503      | 2380090M07  | CAP ALU 47 20 16.0V SURF MT    |

| Ref. Des. | Part Number | Description                  |
|-----------|-------------|------------------------------|
| C504      | 2113741A53  | CAP CHIP CL2 X7R REEL 22000  |
| C505      | 2113741B69  | CAP CHIP CL2 X7R REEL 100000 |
| C506      | 2380090M22  | CAP ALU 4.7 20 50V SURF MT   |
| C507      | 2380090M25  | CAP ALU 100UF 25V            |
| C508      | 2113741A53  | CAP CHIP CL2 X7R REEL 22000  |
| C509      | 2113740A24  | CAP CHIP REEL CL1 +/-30 6.8  |
| C510      | 2113741B69  | CAP CHIP CL2 X7R REEL 100000 |
| C511      | 2113741B69  | CAP CHIP CL2 X7R REEL 100000 |
| C512      | 2113741B63  | CAP CHIP CL2 X7R REEL 56000  |
| C513      | 2113741B69  | CAP CHIP CL2 X7R REEL 100000 |
| C514      | 2113740A43  | CAP CHIP REEL CL1 +/-30 39   |
| C515      | 2311049A03  | CAP TANT CHIP A/P .22 10 35  |
| C516      | 2113740A43  | CAP CHIP REEL CL1 +/-30 39   |
| C517      | 2113740A43  | CAP CHIP REEL CL1 +/-30 39   |
| C518      | 2113741B69  | CAP CHIP CL2 X7R REEL 100000 |
| C519      | 2113741B69  | CAP CHIP CL2 X7R REEL 100000 |
| C520      | 2311049A03  | CAP TANT CHIP A/P .22 10 35  |
| C521      | 2113740A67  | CAP CHIP REEL CL1 +/-30 330  |
| C522      | 2113743G21  | CER CHIP CAP 1.0 UF          |
| C523      | 2113740A55  | CAP CHIP REEL CL1 +/-30 100  |
| C524      | 2113740A79  | CAP CHIP REEL CL1 +/-30 1000 |
| C525      | 2113741B69  | CAP CHIP CL2 X7R REEL 100000 |
| C526      | 2113741B69  | CAP CHIP CL2 X7R REEL 100000 |
| C527      | 2113740A43  | CAP CHIP REEL CL1 +/-30 39   |
| C528      | 2113740A79  | CAP CHIP REEL CL1 +/-30 1000 |
| C529      | 2113741B69  | CAP CHIP CL2 X7R REEL 100000 |
| C530      | 2311049A04  | CAP TANT CHIP A/P .33 10 35  |
| C531      | 2113741B69  | CAP CHIP CL2 X7R REEL 100000 |

| Ref. Des. | Part Number | Description                  |
|-----------|-------------|------------------------------|
| C532      | 2113741B69  | CAP CHIP CL2 X7R REEL 100000 |
| C533      | 2113740A79  | CAP CHIP REEL CL1 +/-30 1000 |
| C534      | 2113740A65  | CAP CHIP REEL CL1 +/-30 270  |
| C535      | 2311049A14  | CAP TANT CHIP 4.7 1020 A/P   |
| C536      | 2113741B69  | CAP CHIP CL2 X7R REEL 100000 |
| C537      | 2113740A79  | CAP CHIP REEL CL1 +/-30 1000 |
| C538      | 2113741B69  | CAP CHIP CL2 X7R REEL 100000 |
| C539      | 2113740A55  | CAP CHIP REEL CL1 +/-30 100  |
| C540      | 2113741A51  | CAP CHIP CL2 X7R REEL 18000  |
| C541      | 2113740A79  | CAP CHIP REEL CL1 +/-30 1000 |
| C542      | 2311049A21  | CAP TANT CHIP 22 10 20 A/P   |
| C543      | 2113740A65  | CAP CHIP REEL CL1 +/-30 270  |
| C544      | 2311049A07  | CAP TANT CHIP 1 10 16 A/P    |
| C545      | 2113741B69  | CAP CHIP CL2 X7R REEL 100000 |
| C546      | 2113741B69  | CAP CHIP CL2 X7R REEL 100000 |
| C547      | 2113741B69  | CAP CHIP CL2 X7R REEL 100000 |
| C548      | 2113741A13  | CAP CHIP CL2 X7R REEL 470    |
| C549      | 2113741A13  | CAP CHIP CL2 X7R REEL 470    |
| C550      | 2113741A13  | CAP CHIP CL2 X7R REEL 470    |
| C551      | 2113741A13  | CAP CHIP CL2 X7R REEL 470    |
| C552      | 2113741A13  | CAP CHIP CL2 X7R REEL 470    |
| C553      | 2113741A13  | CAP CHIP CL2 X7R REEL 470    |
| C554      | 2113741A13  | CAP CHIP CL2 X7R REEL 470    |
| C555      | 2113741A13  | CAP CHIP CL2 X7R REEL 470    |
| C556      | 2113741A13  | CAP CHIP CL2 X7R REEL 470    |
| C557      | 2113741A13  | CAP CHIP CL2 X7R REEL 470    |
| C558      | 2113741A13  | CAP CHIP CL2 X7R REEL 470    |
| C559      | 2113741B69  | CAP CHIP CL2 X7R REEL 100000 |
| C560      | 2113741B69  | CAP CHIP CL2 X7R REEL 100000 |
| C561      | 2113741B69  | CAP CHIP CL2 X7R REEL 100000 |

| Ref. Des. | Part Number | Description                    |
|-----------|-------------|--------------------------------|
| C562      | 2113741B69  | CAP CHIP CL2 X7R REEL 100000   |
| C563      | 2311049A19  | CAP TANT CHIP 10 10 25 A/P     |
| C564      | 2113741A13  | CAP CHIP CL2 X7R REEL 470      |
| C565      | 2113741A13  | CAP CHIP CL2 X7R REEL 470      |
| C566      | 2113741B69  | CAP CHIP CL2 X7R REEL 100000   |
| C601      | 2113740A55  | CAP CHIP REEL CL1 +/-30 100    |
| C602      | 2113740A55  | CAP CHIP REEL CL1 +/-30 100    |
| C603      | 2311049A03  | CAP TANT CHIP A/P .22 10 35    |
| C604      | 2311049A14  | CAP TANT CHIP 4.7 1020 A/P     |
| C605      | 2113741A49  | CAP CHIP CL2 X7R REEL 15000    |
| C606      | 2311049A19  | CAP TANT CHIP 10 10 25 A/P     |
| C607      | 2113741B69  | CAP CHIP CL2 X7R REEL 100000   |
| C608      | 2113741B69  | CAP CHIP CL2 X7R REEL 100000   |
| C615      | 2113741B69  | CAP CHIP CL2 X7R REEL 100000   |
| C651      | 2113741B69  | CAP CHIP CL2 X7R REEL 100000   |
| D1005     | 4813833C10  | DIODE GEN PUR 70V MMBD6050     |
| D1007     | 4813833C10  | DIODE GEN PUR 70V MMBD6050     |
| D1008     | 4813833C10  | DIODE GEN PUR 70V MMBD6050     |
| D1012     | 4813833C10  | DIODE GEN PUR 70V MMBD6050     |
| D1013     | 4813833C10  | DIODE GEN PUR 70V MMBD6050     |
| D1017     | 4813833C10  | DIODE GEN PUR 70V MMBD6050     |
| D1018     | 4813833C10  | DIODE GEN PUR 70V MMBD6050     |
| D103      | 4813825A05  | DIODE 30V HOT CARRIER MMBD301L |
| E1        | 8083545L04  | SPKGAP 3P-4L1                  |
| E2        | 8083545L04  | SPKGAP 3P-4L1                  |
| HY1       | TFN6061A    | HYBRID FLTR BANDPASS 2175      |
| HY2       | TFN6056A    | HYBRID FLTR NOTCH 2175         |
| J1        | 2882505T15  | CONN HEADER 50 PIN             |

| Ref. Des. | Part Number | Description                    |
|-----------|-------------|--------------------------------|
| J11       | 2880004T02  | HDR .156 FLK SNPB SR ST 2 POS  |
| J13       | 0960113B01  | JACK MOD. 8 PIN MT             |
| J14       | 2880068M01  | HEADER MIC                     |
| J2        | 2882505T04  | PLUG HEADER 34 CKT             |
| J3        | 2882505T15  | CONN HEADER 50 PIN             |
| J4        | 2884324M07  | PLUG HDR 2.54MM GLD ST SR 2POS |
| J5        | 2884324M08  | PLUG HDR 2.54MM GLD ST SR 3POS |
| J6        | 2884324M09  | PLUG HDR 2.54MM GLD ST SR 4POS |
| J8        | 2884324M08  | PLUG HDR 2.54MM GLD ST SR 3POS |
| JU100     | 0662057B47  | CHIP RES 0 OHMS +/-0.50 OHMS   |
| JU101     | 0662057B47  | CHIP RES 0 OHMS +/-0.50 OHMS   |
| L101      | 2480289M16  | COIL IF 22UH 1611 CS 223       |
| L300      | 2411087B36  | COIL CHIP 6.8 UH 5 A/I         |
| L301      | 2411087B36  | COIL CHIP 6.8 UH 5 A/I         |
| P101      | 2880001R03  | CON PCB HDR .1 GLD SR ST 3 POS |
| P102      | 2880001R03  | CON PCB HDR .1 GLD SR ST 3 POS |
| Q101      | 4813824A10  | TSTR NPN 40V .2A GEN PURP      |
| Q102      | 4813824A10  | TSTR NPN 40V .2A GEN PURP      |
| Q110      | 4813823A08  | XSTR P-CH FET SW MMBFJ175LT1   |
| Q111      | 4813824A18  | XSTR PNP 40V .6A SW B=100      |
| Q113      | 4884581T01  | FET GENPUR N-CH _5459_ 6D SOT  |
| Q114      | 4813822A07  | TSTR NPN 300V .5A MJD340T4     |
| Q115      | 4813822A07  | TSTR NPN 300V .5A MJD340T4     |
| Q116      | 4813824A10  | TSTR NPN 40V .2A GEN PURP      |
| Q117      | 4813824A10  | TSTR NPN 40V .2A GEN PURP      |
| Q118      | 4813824A10  | TSTR NPN 40V .2A GEN PURP      |
| Q306      | 4813824A10  | TSTR NPN 40V .2A GEN PURP      |
| Q307      | 4813824A10  | TSTR NPN 40V .2A GEN PURP      |
| R101      | 0662057A73  | CHIP RES 10K OHMS 5%           |
| R102      | 0662057A97  | CHIP RES 100K OHMS 5%          |

| Ref. Des. | Part Number | Description                     |
|-----------|-------------|---------------------------------|
| R103      | 0662057A97  | CHIP RES 100K OHMS 5%           |
| R104      | 0662057A97  | CHIP RES 100K OHMS 5%           |
| R105      | 0662057A73  | CHIP RES 10K OHMS 5%            |
| R106      | 0660076A93  | RES CHIP 68K 5 1/8              |
| R107      | 0660076A88  | RES CHIP 43K 5 1/8              |
| R108      | 0662057A97  | CHIP RES 100K OHMS 5%           |
| R109      | 0662057A75  | CHIP RES 12K OHMS 5%            |
| R110      | 0662057A97  | CHIP RES 100K OHMS 5%           |
| R111      | 0662057A97  | CHIP RES 100K OHMS 5%           |
| R112      | 0662057B47  | CHIP RES 0 OHMS +/-0.50 OHMS    |
| R113      | 0662057A73  | CHIP RES 10K OHMS 5%            |
| R114      | 0662057A97  | CHIP RES 100K OHMS 5%           |
| R115      | 0662057A97  | CHIP RES 100K OHMS 5%           |
| R116      | 0662057A73  | CHIP RES 10K OHMS 5%            |
| R117      | 0662057A73  | CHIP RES 10K OHMS 5%            |
| R118      | 0662057A73  | CHIP RES 10K OHMS 5%            |
| R119      | 0662057A73  | CHIP RES 10K OHMS 5%            |
| R120      | 0660076A65  | RES CHIP 4700 5 1/8             |
| R121      | 0662057A97  | CHIP RES 100K OHMS 5%           |
| R122      | 0660079V49  | RES CHIP 1.1M OHM 5 1/8W 200PPM |
| R123      | 0662057A73  | CHIP RES 10K OHMS 5%            |
| R124      | 0662057A89  | CHIP RES 47K OHMS 5%            |
| R125      | 0660076A57  | RES CHIP 2200 5 1/8             |
| R126      | 0662057A73  | CHIP RES 10K OHMS 5%            |
| R127      | 0660076A61  | RES CHIP 3300 5 1/8             |
| R128      | 0660076A77  | RES CHIP 15K 5 1/8              |
| R129      | 0660076A71  | RES CHIP 8200 5 1/8             |
| R134      | 0662057A73  | CHIP RES 10K OHMS 5%            |
| R135      | 0611072A31  | RES CHIP 180 5 1/4              |
| R137      | 0660076A77  | RES CHIP 15K 5 1/8              |
| R138      | 0660076A09  | RES CHIP 22 5 1/8               |
| R139      | 0660076A09  | RES CHIP 22 5 1/8               |
| R140      | 0660076A09  | RES CHIP 22 5 1/8               |
| R141      | 0660076A09  | RES CHIP 22 5 1/8               |
| R145      | 0660076A41  | RES CHIP 470 5 1/8              |
| R146      | 0611072A47  | RES CHIP 820 5 1/4              |
| R147      | 0660076A41  | RES CHIP 470 5 1/8              |

| Ref. Des. | Part Number | Description              |
|-----------|-------------|--------------------------|
| R148      | 0662057A97  | CHIP RES 100K OHMS 5%    |
| R154      | 0662057A73  | CHIP RES 10K OHMS 5%     |
| R155      | 0662057A73  | CHIP RES 10K OHMS 5%     |
| R156      | 0662057A89  | CHIP RES 47K OHMS 5%     |
| R157      | 0660076A95  | RES CHIP 82K 5 1/8       |
| R158      | 0662057A89  | CHIP RES 47K OHMS 5%     |
| R159      | 0662057A89  | CHIP RES 47K OHMS 5%     |
| R160      | 0662057A89  | CHIP RES 47K OHMS 5%     |
| R161      | 0662057A89  | CHIP RES 47K OHMS 5%     |
| R162      | 0662057A89  | CHIP RES 47K OHMS 5%     |
| R163      | 0662057A89  | CHIP RES 47K OHMS 5%     |
| R164      | 0662057A89  | CHIP RES 47K OHMS 5%     |
| R165      | 0662057A89  | CHIP RES 47K OHMS 5%     |
| R166      | 0662057A73  | CHIP RES 10K OHMS 5%     |
| R167      | 0662057A73  | CHIP RES 10K OHMS 5%     |
| R168      | 0660076E73  | RES CHIP FILM 10K 1 1/8  |
| R169      | 0662057R46  | RES CHIP 4320 .1W 1%     |
| R170      | 0660076E77  | RES CHIP FILM 15K 1 1/8  |
| R171      | 0662057A97  | CHIP RES 100K OHMS 5%    |
| R172      | 0662057A89  | CHIP RES 47K OHMS 5%     |
| R173      | 0662057A97  | CHIP RES 100K OHMS 5%    |
| R174      | 0662057A49  | CHIP RES 1000 OHMS 5%    |
| R175      | 0662057A49  | CHIP RES 1000 OHMS 5%    |
| R176      | 0662057A97  | CHIP RES 100K OHMS 5%    |
| R177      | 0662057A82  | CHIP RES 24K OHMS 5%     |
| R178      | 0662057A73  | CHIP RES 10K OHMS 5%     |
| R179      | 0662057A73  | CHIP RES 10K OHMS 5%     |
| R180      | 0662057B22  | CHIP RES 1.0 MEG OHMS 5% |
| R181      | 0662057A73  | CHIP RES 10K OHMS 5%     |
| R182      | 0680194M18  | RES 51 OHMS 5% 1W        |
| R183      | 0662057A73  | CHIP RES 10K OHMS 5%     |
| R184      | 0662057A89  | CHIP RES 47K OHMS 5%     |
| R185      | 0662057A73  | CHIP RES 10K OHMS 5%     |
| R186      | 0662057A89  | CHIP RES 47K OHMS 5%     |
| R187      | 0662057A73  | CHIP RES 10K OHMS 5%     |
| R188      | 0662057A73  | CHIP RES 10K OHMS 5%     |
| R189      | 0662057A65  | CHIP RES 4700 OHMS 5%    |
| R190      | 0662057A01  | CHIP RES 10 OHMS 5%      |
| R301      | 0660076A69  | RES CHIP 6800 5 1/8      |

| Ref. Des. | Part Number | Description                    |
|-----------|-------------|--------------------------------|
| R321      | 0662057A65  | CHIP RES 4700 OHMS 5%          |
| R322      | 0660076A77  | RES CHIP 15K 5 1/8             |
| R323      | 0660076A59  | RES CHIP 2700 5 1/8            |
| R501      | 0660076A51  | RES CHIP 1200 5 1/8            |
| R502      | 0660079V49  | RES CHIP 1.M OHM 5 1/8W 200PPM |
| R503      | 0662057A73  | CHIP RES 10K OHMS 5%           |
| R504      | 0660079L33  | RES CHIP 200. KOHM 11/8 200PPM |
| R505      | 0660079V49  | RES CHIP 1.M OHM 5 1/8W 200PPM |
| R506      | 0660076B13  | RES CHIP 330K 5 1/8            |
| R507      | 0660079L33  | RES CHIP 200. KOHM 11/8 200PPM |
| R508      | 0660076A80  | RES CHIP 20K 5 1/8             |
| R509      | 0660076A63  | RES CHIP 3900 5 1/8            |
| R510      | 0660076A63  | RES CHIP 3900 5 1/8            |
| R511      | 0660076A47  | RES CHIP 820 5 1/8             |
| R512      | 0662057A75  | CHIP RES 12K OHMS 5%           |
| R513      | 0660076A80  | RES CHIP 20K 5 1/8             |
| R514      | 0660076A67  | RES CHIP 5600 5 1/8            |
| R515      | 0662057A75  | CHIP RES 12K OHMS 5%           |
| R516      | 0662057A89  | CHIP RES 47K OHMS 5%           |
| R517      | 0660078L01  | RES CHIP 100 KOHM 1 1/8 100PPM |
| R518      | 0660076A25  | RES CHIP 100 5 1/8             |
| R519      | 0660078L01  | RES CHIP 100 KOHM 1 1/8 100PPM |
| R520      | 0660079L33  | RES CHIP 200. KOHM 11/8 200PPM |
| R521      | 0660079L33  | RES CHIP 200. KOHM 11/8 200PPM |
| R522      | 0660076A95  | RES CHIP 82K 5 1/8             |
| R523      | 0660076A49  | RES CHIP 1000 5 1/8            |
| R524      | 0660076A55  | RES CHIP 1800 5 1/8            |
| R525      | 0662057A97  | CHIP RES 100K OHMS 5%          |
| R526      | 0662057A97  | CHIP RES 100K OHMS 5%          |
| R527      | 0660076A61  | RES CHIP 3300 5 1/8            |
| R528      | 0660076A51  | RES CHIP 1200 5 1/8            |
| R529      | 1813905A14  | POT 200K 20% SURF MT TOP ADJ   |

| Ref. Des. | Part Number | Description                    |
|-----------|-------------|--------------------------------|
| R530      | 0611072A22  | RES CHIP 75 5 1/4              |
| R531      | 0660076A65  | RES CHIP 4700 5 1/8            |
| R532      | 0611072A22  | RES CHIP 75 5 1/4              |
| R533      | 0660076A65  | RES CHIP 4700 5 1/8            |
| R534      | 0662057A89  | CHIP RES 47K OHMS 5%           |
| R535      | 0660076A35  | RES CHIP 270 5 1/8             |
| R536      | 0662057A89  | CHIP RES 47K OHMS 5%           |
| R537      | 0662057A73  | CHIP RES 10K OHMS 5%           |
| R538      | 0660076B17  | RES CHIP 470K 5 1/8            |
| R539      | 0662057A75  | CHIP RES 12K OHMS 5%           |
| R540      | 0660076A65  | RES CHIP 4700 5 1/8            |
| R541      | 0611077G81  | RES CHIP 84.5K 1 1/8W          |
| R542      | 0660076B11  | RES CHIP 270K 5 1/8            |
| R543      | 0611077G81  | RES CHIP 84.5K 1 1/8W          |
| R544      | 0662057A73  | CHIP RES 10K OHMS 5%           |
| R545      | 1813905A14  | POT 200K 20% SURF MT TOP ADJ   |
| R546      | 0662057A75  | CHIP RES 12K OHMS 5%           |
| R547      | 0660076A80  | RES CHIP 20K 5 1/8             |
| R548      | 0660076B07  | RES CHIP 180K 5 1/8            |
| R549      | 0662057A75  | CHIP RES 12K OHMS 5%           |
| R550      | 0662057A89  | CHIP RES 47K OHMS 5%           |
| R551      | 0660079V49  | RES CHIP 1.M OHM 5 1/8W 200PPM |
| R552      | 0660076A83  | RES CHIP 27K 5 1/8             |
| R553      | 0660076A83  | RES CHIP 27K 5 1/8             |
| R554      | 0660076B17  | RES CHIP 470K 5 1/8            |
| R555      | 0660076A83  | RES CHIP 27K 5 1/8             |
| R556      | 0662057A75  | CHIP RES 12K OHMS 5%           |
| R557      | 0660076A67  | RES CHIP 5600 5 1/8            |
| R558      | 0660076A63  | RES CHIP 3900 5 1/8            |
| R559      | 0662057A75  | CHIP RES 12K OHMS 5%           |
| R560      | 0662057A75  | CHIP RES 12K OHMS 5%           |
| R561      | 0660076B07  | RES CHIP 180K 5 1/8            |
| R562      | 0662057A85  | CHIP RES 33K OHMS 5%           |
| R563      | 0660076A61  | RES CHIP 3300 5 1/8            |
| R564      | 0660076B07  | RES CHIP 180K 5 1/8            |
| R565      | 0662057A73  | CHIP RES 10K OHMS 5%           |
| R566      | 0660076A65  | RES CHIP 4700 5 1/8            |

| Ref. Des. | Part Number | Description                    |
|-----------|-------------|--------------------------------|
| R567      | 0662057A73  | CHIP RES 10K OHMS 5%           |
| R568      | 0660076B17  | RES CHIP 470K 5 1/8            |
| R569      | 1885848F01  | POT 50KOHM 20% SURF MT TOP ADJ |
| R570      | 0662057B47  | CHIP RES 0 OHMS +-.050 OHMS    |
| R571      | 0662057A73  | CHIP RES 10K OHMS 5%           |
| R572      | 0662057A68  | CHIP RES 6200 OHMS 5%          |
| R573      | 0662057A97  | CHIP RES 100K OHMS 5%          |
| R574      | 0662057A97  | CHIP RES 100K OHMS 5%          |
| R575      | 0662057B47  | CHIP RES 0 OHMS +-.050 OHMS    |
| R576      | 0662057A85  | CHIP RES 33K OHMS 5%           |
| R577      | 0662057A88  | CHIP RES 43K OHMS 5%           |
| R578      | 0662057B47  | CHIP RES 0 OHMS +-.050 OHMS    |
| R579      | 0662057A45  | CHIP RES 680 OHMS 5%           |
| R601      | 0662057A97  | CHIP RES 100K OHMS 5%          |
| R602      | 0660076A80  | RES CHIP 20K 5 1/8             |
| R603      | 0662057A97  | CHIP RES 100K OHMS 5%          |
| R604      | 0660076A45  | RES CHIP 680 5 1/8             |
| R606      | 0660076A49  | RES CHIP 1000 5 1/8            |
| R607      | 0660076A43  | RES CHIP 560 5 1/8             |
| R609      | 0660076A79  | RES CHIP 18K 5 1/8             |
| R610      | 0662057A97  | CHIP RES 100K OHMS 5%          |
| R615      | 0660076A55  | RES CHIP 1800 5 1/8            |
| S100      | 4083706T01  | SWITCH DIP SURFACE MOUNT       |
| S101      | 4083706T01  | SWITCH DIP SURFACE MOUNT       |
| SH1       | 2605425Z01  | SHIELD                         |
| SH2       | 2605455Z03  | SHLD 3 X 3.5                   |
| SH3       | 2605887Z01  | SHLD BD                        |
| SKT1      | 0984728L01  | SKT CONN                       |
| SKT2      | 0984728L01  | SKT CONN                       |
| T100      | 2584422T01  | XFMR LINE ISOLATION TELEPHONE  |
| T1610     | 2584422T01  | XFMR LINE ISOLATION TELEPHONE  |
| U100      | 5105109Z13  | IC MICRO PWR LOW DROPUT REGLTR |



| Ref. Des. | Part Number | Description                    |
|-----------|-------------|--------------------------------|
| U101      | 5113819A04  | IC QD OP AMP GEN PURP MC3303D  |
| U102      | 5113818A01  | IC LOW COST SING SPLY LM2904DR |
| U103      | 5113805A01  | IC QUAD 2INP NAND 74HC00AD     |
| U105      | 5113819A04  | IC QD OP AMP GEN PURP MC3303D  |
| U106      | 5113819A04  | IC QD OP AMP GEN PURP MC3303D  |
| U107      | 5105109Z14  | IC QUAD PROG POT               |
| U110      | 5113819A04  | IC QD OP AMP GEN PURP MC3303D  |
| U111      | 5113819A04  | IC QD OP AMP GEN PURP MC3303D  |
| U112      | 5113819A04  | IC QD OP AMP GEN PURP MC3303D  |
| U113      | 5184704M90  | IC CMOS 04M90 LEVEL SHIFTER    |
| U114      | 5184704M60  | IC CMOS 04M60 ANALOG           |
| U115      | 5185956E80  | IC CMOS 04M52 QUAD SW          |
| U116      | 5184704M60  | IC CMOS 04M60 ANALOG           |
| U117      | 5113820A03  | IC QUAD SING/DUAL SPLY LM2901  |
| U118      | 5184704M90  | IC CMOS 04M90 LEVEL SHIFTER    |
| U121      | 5113805A01  | IC QUAD 2INP NAND 74HC00AD     |
| U122      | 5113805A09  | IC INV HEX SCHMITT TRIG HC14   |
| U123      | 5113802A27  | IC 68HC11 W.SCI SPI A/D        |
| U124      | 5113805A91  | IC LATCH-TRANSP.OCT 3-ST N-INV |
| U125      | 5105625U57  | DUART IC                       |
| U126      | 5105625U79  | IC 128KX8 FLASH ROM            |
| U127      | 5113805A41  | IC CTR BINP SYNC RST 74HC163D  |
| U129      | 5113805A18  | IC DUAL D FF W/SET RST 74HC74  |
| U130      | 5113805A02  | IC QUAD 2INP NOR 74HC02AD      |
| U131      | 5180057S04  | "IC CUST SER I/O 13" REEL"     |
| U132      | 5185130C06  | IC 5V REG W/RESET CS-8126-1T5  |

| Ref. Des. | Part Number | Description                    |
|-----------|-------------|--------------------------------|
| U133      | 5113811A11  | IC RS-232-C DVR/RCVR SNGL SUP  |
| VR100     | 4880140L25  | DIODE SOT ZENER 20V TAPE&REEL  |
| VR101     | 4880140L06  | DIODE SOT ZENER 5.1V TAPE&REEL |
| VR103     | 4880140L07  | DIODE SOT ZENER 5.6V TAPE&REEL |
| VR104     | 4880140L07  | DIODE SOT ZENER 5.6V TAPE&REEL |
| VR105     | 4880140L07  | DIODE SOT ZENER 5.6V TAPE&REEL |
| VR106     | 4880140L07  | DIODE SOT ZENER 5.6V TAPE&REEL |
| VR107     | 4880140L20  | DIODE SOT ZENER 15V TAPE&REEL  |
| VR108     | 4880140L20  | DIODE SOT ZENER 15V TAPE&REEL  |
| VR110     | 4880140L07  | DIODE SOT ZENER 5.6V TAPE&REEL |
| VR112     | 4880140L07  | DIODE SOT ZENER 5.6V TAPE&REEL |
| VR113     | 4880140L07  | DIODE SOT ZENER 5.6V TAPE&REEL |
| VR114     | 4880140L07  | DIODE SOT ZENER 5.6V TAPE&REEL |
| VR115     | 4880140L20  | DIODE SOT ZENER 15V TAPE&REEL  |
| VR119     | 4880140L20  | DIODE SOT ZENER 15V TAPE&REEL  |
| VR120     | 4880140L20  | DIODE SOT ZENER 15V TAPE&REEL  |
| VR121     | 4880140L07  | DIODE SOT ZENER 5.6V TAPE&REEL |
| VR122     | 4880140L07  | DIODE SOT ZENER 5.6V TAPE&REEL |
| VR123     | 4880140L07  | DIODE SOT ZENER 5.6V TAPE&REEL |
| VR125     | 4880140L20  | DIODE SOT ZENER 15V TAPE&REEL  |
| VR126     | 4880140L07  | DIODE SOT ZENER 5.6V TAPE&REEL |
| VR127     | 4880140L07  | DIODE SOT ZENER 5.6V TAPE&REEL |
| VR128     | 4813832C28  | ZENER BPLR 15V FOR ESD SOT23   |

| Ref. Des. | Part Number | Description                  |
|-----------|-------------|------------------------------|
| VR129     | 4813832C28  | ZENER BPLR 15V FOR ESD SOT23 |
| VR130     | 4813832C28  | ZENER BPLR 15V FOR ESD SOT23 |
| VR131     | 4813832C28  | ZENER BPLR 15V FOR ESD SOT23 |
| VR501     | 4813832A46  | DIODE 56V TRANS SUP P6SMB    |
| VR502     | 4813832A46  | DIODE 56V TRANS SUP P6SMB    |
| Y101      | 4805574W03  | XTAL PRL RESONANCE 7.9488MHZ |
| Y301      | 4805574W04  | XTAL SURFACE MOUNT           |

---

## Notes

# Appendix A - Cross Patch Configuration



## General Description

The Cross Patch provides interoperability between two systems on different bands, analog or digital or trunking. An interface cable can be built to allow the interconnection of two ASTRO Spectra/Spectra Plus Consolette stations to form a repeater system. The information received by Consolette 1 will be retransmitted or repeated by Consolette 2. Similarly, information received by Consolette 2 will be retransmitted on Consolette 1. The system is a first come, first served system in that one station does not have priority over the other. Moreover, the Consolettes must be located in different frequency bands to prevent RF interference from occurring from one Consolette to another.

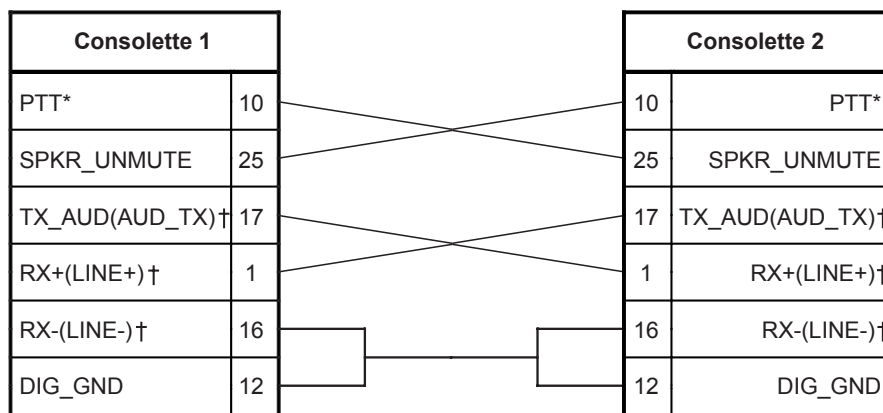
## Detailed Description

To enable Cross Patch operation between two Consolettes, build the cable shown in the Cross Patch Cable diagram below and connect each dB-25 connector to Accessory Connector 2 of the two Consolettes. If you wish to have the option of enabling/disabling Cross Patch operation, you must include an in-line switch (or switches) to open and close the connection between SPKR\_UNMUTE and PTT, along with the connection between RX+(LINE1+)† and TX\_AUD(AUD\_TX)†. To disable the Cross Patch, the connection between SPKR\_UNMUTE and PTT must be open. This will prevent the Consolette that is receiving information from keying the Consolette it is connected to. In addition, the connection between RX+(LINE1+)† and TX\_AUD(AUD\_TX)† must also be switched open to prevent received audio from one Consolette unintentionally mixing into the connected Consolette's microphone audio.

The PTT for Consolette 2 is derived from the SPKR\_UNMUTE signal of Consolette 1 which is active when Consolette 1 is receiving information. RX audio from Consolette 1 is routed to the TX Audio of Consolette 2. Adjusting the potentiometer (R111 on AIB, R545 on TRC) on the RX Audio path of Consolette 1 will enable the user to match the transmitter audio input sensitivity of Consolette 2. The behavior of the audio path from Consolette 2 to Consolette 1 is identical to the Consolette 1 to Consolette 2 path just described.

**NOTE:** In this configuration, the SPKR\_UNMUTE jumper (J15 on AIB, P102 on TRC) should be placed for active low operation. (See Table 2 on page 9 for AIB and Table 6 on page 11 for TRC jumper location.)

**Cross Patch Cable**



**Notes:** \* Denotes active low signal  
 † Denotes TRC signal name

### Level Settings

#### Consolette 1 to Consolette 2 Path

1. Connect Consolette 1 to Consolette 2 via the cable described above.
2. Connect a signal generator or communications analyzer to Consolette 1.
3. Connect Consolette 2 to a modulation analyzer or communications analyzer. Set the analyzer up to measure deviation level.
4. Apply a -47 dBm on channel RF signal modulated with a 1 kHz tone at 60% FSD into Consolette 1. Consolette 1 will now be receiving and Consolette 2 will be transmitting.
5. Adjust the RX Audio path potentiometer (R111 on AIB, R545 on TRC) on Consolette 1 until 60% FSD is obtained on the Consolette 2 modulation analyzer or communications analyzer.
6. Turn off the -47 dBm RF signal.

#### Consolette 2 to Consolette 1 Path

1. Connect Consolette 2 to Consolette 1 via the cable described above.
2. Connect a signal generator or communications analyzer to Consolette 2.
3. Connect Consolette 1 to a modulation analyzer or communications analyzer. Set the analyzer up to measure deviation level.
4. Apply a -47 dBm on channel RF signal modulated with a 1 kHz tone at 60% FSD into Consolette 2. Consolette 2 will now be receiving and Consolette 1 will be transmitting.
5. Adjust the RX Audio path potentiometer (R111 on AIB, R545 on TRC) on Consolette 2 until 60% FSD is obtained on the Consolette 1 modulation analyzer or communications analyzer.
6. Turn off the -47 dBm RF signal.

### Radio-Wide Changes Using CPS


The Cross Patch uses the SPKR\_UNMUTE signal from Consolette 1 as a PTT signal to PTT Consolette 2. Furthermore, the SPKR\_UNMUTE signal is derived from voltage changes on the speaker leads. The speaker voltage changes if voice audio is present or if alert tones are present. Therefore, **all the Alert Tones should be turned OFF** using CPS. This will prevent unintended mobile PTTs. For example, if TX Clear Alert Tones are enabled, when Consolette 1 receives a signal, it PTTs Consolette 2. This sends an alert tone to Consolette 2's speaker, which then causes Consolette 1 to transmit, etc., causing cyclical keying and unkeying of both Consolettes.

To disable the Alert Tones, disable the following fields in ASTRO Spectra or ASTRO Spectra Plus CPS:

1. Radio Configuration Radio Wide → Alert Tones
  - Alert Tones Disabled
  - Power Up Self Test Alert Tone Disabled
2. Radio Configuration → Secure → Secure Configuration → Advanced

**NOTE:** These fields will be active only if the "Secure Hardware Equipped" field is enabled in the Radio Configuration → Secure → Secure Configuration → General section.

- Tx Clear Alert Tones Disabled
- Periodic Keyfail Alert Tone Disabled

|  |  |
|--|--|
|  <p>Caution</p> | <p>When using the Cross Patch, you may exceed the duty cycle rating of the Console. If this condition is expected, the customer may want to reduce the RF power output of the Console.</p> |
|--|--|

## Audio Degradation Issues

The Console Cross Patch Interface is a base band audio interface that can be used to interconnect the following:

- Analog to Analog systems
- Digital to Analog systems
- Analog to Digital systems
- Digital to Digital systems

Analog to analog patch systems should experience no audio degradation since there are no vocoders in the system. The audio will not be degraded in the digital to analog or analog to digital patches since the voice audio is only vocoded once. The digital to digital patches will experience degraded audio. The repeated voice will not be as intelligible as the original digital audio. The voice audio that passes through the patch is vocoded twice, and therefore isn't quite as sharp as the original. The small artifacts of the first vocoding are amplified and added to by the second vocoding. The net result is voice that isn't as intelligible as the high quality first vocoding. The voice has some audio aberrations, but mainly it's harder to understand what is being said. The degree of intelligibility loss varies with the type of vocoder. Field experience has shown that VSELP is affected more than IMBE, but both are degraded from the original message.

## Notes

# Appendix B - Replacement Parts Ordering

# B

## Basic Ordering Information

When ordering replacement parts or equipment information, the complete identification number should be included. This applies to all components, kits, and chassis. If the component part number is not known, the order should include the number of the chassis or kit of which it is a part, and sufficient description of the desired component to identify it.

Crystal orders should specify the crystal type number, crystal and carrier frequency, and the model number in which the part is used.

## Transceiver Board and VOCON Board Ordering Information

When ordering a replacement Transceiver Board or VOCON Board, refer to the applicable Model Chart in the front of this manual, read the Transceiver Board or VOCON Board note, and include the proper information with your order.

## Motorola Online

Motorola Online users can access our online catalog at

<https://www.motorola.com/businessonline>

To register for online access, please call 800-814-0601 (for U.S. and Canada Service Centers only). International customers can obtain assistance at <https://businessonline.motorola.com>.

## Mail Orders

Send written orders to the following addresses:

**Replacement Parts/  
Test Equipment/Manuals/  
Crystal Service Items**  
(United States and Canada):

Motorola Inc.  
Radio Products and Services  
Division\*  
Attention: Order Processing  
1307 E. Algonquin Road  
Schaumburg, IL 60196  
U.S.A.

**Federal Government Orders:**

Motorola Inc.  
U.S. Federal Government Markets  
Division  
Attention: Order Processing  
7230 Parkway Drive  
Landover, MD 21076  
U.S.A.

**International Orders:**

Motorola Inc.  
Radio Products and Services  
Division\*  
(United States and Canada)  
Attention: Order Processing  
1307 E. Algonquin Road  
Schaumburg, IL 60196  
U.S.A.

\* The Radio Products and Services Division (RPSD) was formerly known as the Customer Care and Services Division (CCSD) and/or the Accessories and Aftermarket Division (AAD).

## Appendix B - Replacement Parts Ordering

### Telephone Orders

Radio Products and Services Division\*  
(United States and Canada)  
7:00 AM to 7:00 PM (Central Standard Time)  
Monday through Friday (Chicago, U.S.A.)  
1-800-422-4210  
(International Orders)  
1-847-538-8023

U.S. Federal Government Markets Division (USFGMD)  
1-800-826-1913 Federal Government Parts - Credit Cards Only  
8:30 AM to 5:00 PM (Eastern Standard Time)

### Fax Orders

Radio Products and Services Division\*  
(United States and Canada)  
1-800-622-6210  
(International)  
1-847-576-3023

USFGMD  
(Federal Government Orders)  
1-800-526-8641 (For Parts and Equipment Purchase Orders)

### Parts Identification

Radio Products and Services Division\*  
(United States and Canada)  
1-800-422-4210, menu 3

### Product Customer Service

Customer Response Center  
(Non-technical Issues)  
1-800-247-2346  
FAX:1-800-247-2347

\* The Radio Products and Services Division (RPSD) was formerly known as the Customer Care and Services Division (CCSD) and/or the Accessories and Aftermarket Division (AAD).







Motorola, Inc.  
8000 West Sunrise Boulevard  
Ft. Lauderdale, FL 33322

MOTOROLA, the Stylized M Logo, ASTRO and Spectra are registered in the U.S. Patent and Trademark Office. All other product or service names are the property of their respective owners.  
© Motorola, Inc. 2003.  
All rights reserved. Printed in U.S.A.



**6881086C22-B**