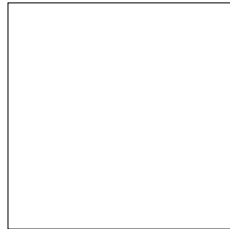


DxD 910

Refrigerator



User Guide

&

Installation & Service Instructions



U109923 - 08A

Contents

1. Before You Start	1	5. Cleaning and Maintenance	13
Safety	1	Defrosting	13
2. About Your Refrigerator	2	Cleaning	13
About the Fresh Food Compartment	3	Water Filter	13
About the Freezer Compartment	4	Shutting Off the Refrigerator	14
Fridge Freezer Controls	5	When Not in Use	15
Dispenser Control	6	The Light	15
Control Centre Power Down	6	Air Curtain Removal and Installation (only for servicing if needed)	15
Error Codes	7	6. Troubleshooting	16
Door Ajar Alarm	7	7. Warranty/After Sales Service	20
Over-voltage Protection	7	8. Technical Data	21
Power-breaking Memorising Function	7		
3. Food Storage Tips	8		
Tips on Storing Fresh Food	8		
Tips on Freezing Food	9		
4. Installation	10		
Positioning Your Appliance	10		
Removing and Installing the Doors and Drawers	10		
Adjustable Feet	11		
Levelling the Doors	11		
Electrical Supply Connection	11		
Water Supply Connection	12		

1. Before You Start

Thank you for buying a Rangemaster appliance. We hope that it provides a stylish yet practical solution to your cooling needs. We hope that this handbook supplies you with all the information you require. If there is anything you are unsure of please contact us (see 'Warranty' section for Customer Care's details).

⚠ WARNING: This appliance must be earthed.

⚠ Please leave the appliance to stand for at least six hours. This will allow the cooling system to settle following transportation.

⚠ Always make sure a qualified person installs this appliance.

⚠ The freezer compartment is rated at 4 stars.

⚠ This appliance is designed for domestic use only. Using it for any other purpose could invalidate any warranty or liability claim.

- Before you plug the appliance into the mains, clean the inside of the appliance using warm water and bicarbonate of soda, then dry thoroughly.
- Check that no parts of the appliance are damaged, especially parts of the cooling system, pipes or leads. If damage has occurred, DO NOT install the appliance; you should contact a qualified service engineer or return the appliance to its place of purchase.
- If the accessories inside the appliance have been disturbed during transit, reposition them in accordance with the instructions.
- Make sure that the electrical supply to your plug socket is correct for this appliance – the required information is on the data badge of the appliance.
- Once the appliance is installed, cleaned and dry, it is ready to be plugged in and switched on.

Safety

⚠ The data badge is located inside the appliance (refrigeration compartment).

⚠ WARNING: Use potable (drinking) water with this appliance.

⚠ WARNING: Keep this appliance clear of any obstruction.

⚠ DO NOT damage the refrigerant circuit. If it does become damaged, do not use the appliance.

⚠ WARNING: Do not use mechanical devices (such as hairdryers) to defrost this appliance.

- When replacing old appliances, make sure that you have disabled any locking mechanisms before disposal – it may even be best to remove the appliance door completely to prevent children from becoming trapped inside the appliance.
- The appliance must be connected to the power supply safely. Loose connections, broken plugs and bare wires are a safety hazard. Make sure that all connections are sound.

- Before undertaking any routine maintenance or minor repairs, disconnect the appliance from the electrical supply.
- DO NOT touch cold surfaces of the appliance while it is in use as this will cause hands to stick to them leading to freezer burns.
- When moving the appliance take care not to damage the leads, pipes or condenser unit. Should these parts become damaged, contact a qualified service engineer.
- Effervescent liquids (fizzy drinks) should never be frozen. These liquids expand during freezing and this may lead to the bottles/containers shattering or exploding.
- Foods that are intended to be defrosted or cooked first, such as breads or meats, must not be eaten in their frozen state.
- If food looks or smells strange, do not attempt to eat it. If in doubt throw it away. Spoiled food can be harmful to your health.
- Never use sharp, metal implements to scrape ice off the surface of this appliance. Only use implements, which are fit for this purpose (such as plastic scrapers) and use carefully to avoid damaging the lining of the appliance.
- The cooling system contains refrigerant and oils, all of which are harmful to health if leaked. Should leakage occur, disconnect the appliance and ventilate the room it is installed in. Take care to ensure that you do not get any coolant near to, or in, your eyes. Contact a service engineer or arrange to have the appliance removed. DO NOT use the appliance under any circumstances.

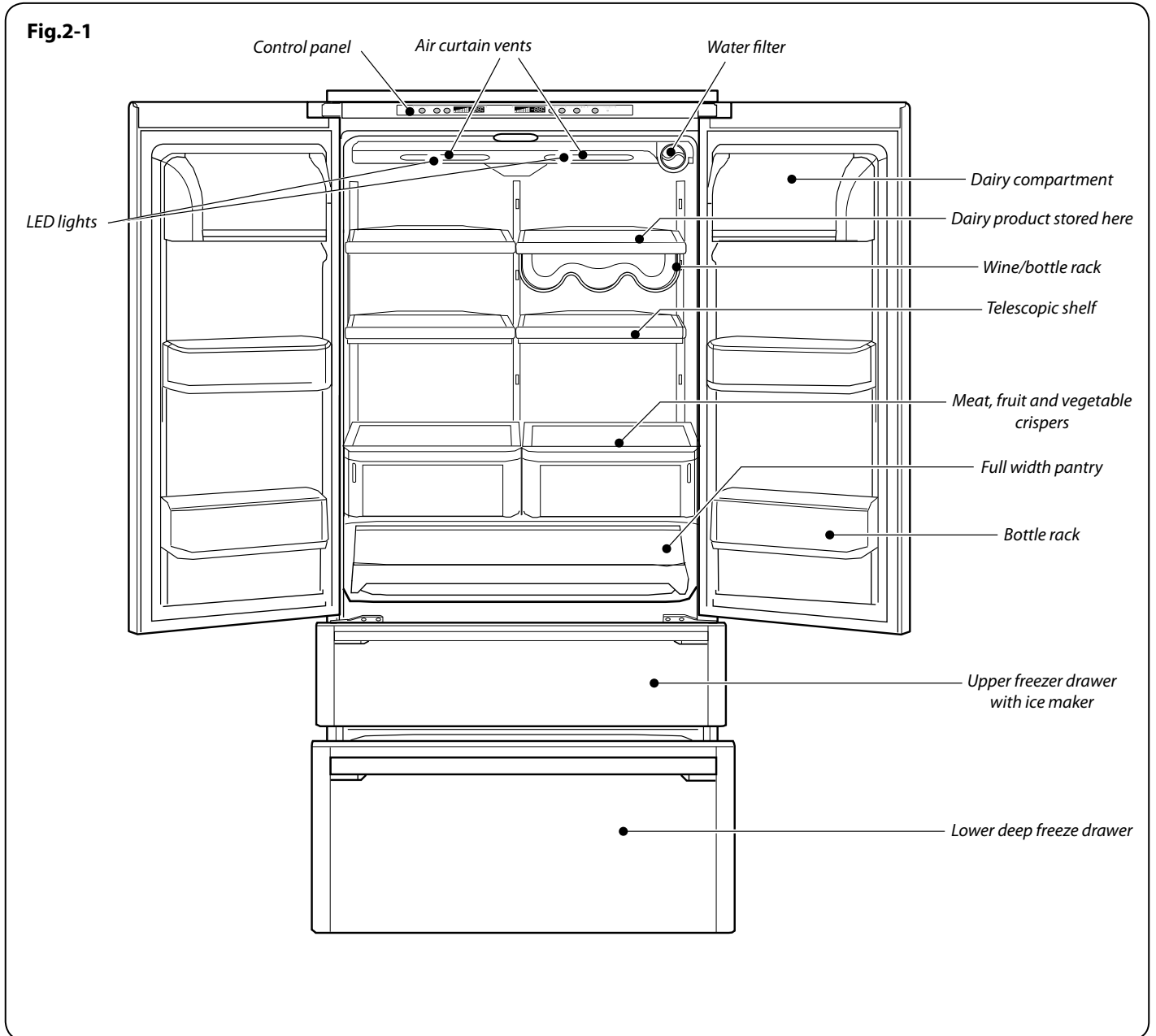
Electrical Safety

- Connections to the mains supply should be in accordance with local regulations.
- The appliance must be plugged into an earthed socket.
- The plug MUST be accessible after the appliance has been positioned.
- The refrigerator is supplied with a standard three-pin plug, of which the one for grounding should never be removed.
- Hold the plug, not the electrical cable, when unplugging the refrigerator.
- Make sure that the refrigerator does not trap the electric cable.
- Do not step on the cable.
- Avoid damage to the electric cable when moving the refrigerator.

Damaged Electrical Cable

If the electrical cable is damaged or worn, turn off the refrigerator and consult an authorised agent for replacement.

2. About Your Refrigerator



The refrigerator is shown in **Fig.2-1** and has the following features:

- **Water filter:** This unit comes equipped with a chlorine and odour free filter.
- **'Ready ice':** This is located in the upper freezer drawer for quick ice cube access. A great place to store large quantities of ice for parties and picnics.
- **Extra large, spacious design.** The refrigerator offers large capacity fresh and frozen food in three convenient compartments; a French door type refrigerated compartment and two lower freezer drawers.

The upper freezer drawer is for ice cubes, regularly used foods and "left-overs".

The lower freezer drawer is for deep, longer duration freezing.

- CFC-free, Frost-free, Fast-freeze and Fast-cool options.
- **Air curtain technology:** The air curtain is in the front top part of the refrigerated compartment. It prevents cold air from escaping when the fridge is opened, and distributes cool air evenly. This ensures that food is kept fresh for longer.
- **LED interior lights:** come on when the door is opened. The performance of the light is not affected by any of the appliances other settings.
- Automatic temperature and clock display.
- Water filter and door ajar alerts for notifying you of performance changes.
- Large humidity controlled pantry tray.

About the Fresh Food Compartment

It is recommended to leave storage space between the foods for good cold air circulation. The temperatures in the refrigerator are slightly warmer near the top and colder near the base. Suggestions for storage (**Fig.2-2**):

1. Eggs, butter, cheese, etc.
2. Tins, cans, condiments, etc.
3. Drinks and all kinds of bottled foods.
4. Pickled foods, drinks or cans.
5. Meat, poultry, fish and raw foods.
6. Flour foods, cans, dairy, etc.
7. Cooked meats, sausage, etc.
8. Fruits, vegetables or salads.

Shelves

The height of the cantilever shelves can be adjusted to fit your storage needs.

When adjusting the height of the shelf, first remove any food placed on the shelf. Tilt the front of the shelf upwards and then pull it to unlatch the rear hooks (**Fig.2-3**). Place the hooks in a new ladder slot location and tilt back down into position on an even horizontal plane.

⚠ Make sure that the two sides of the shelf are in level positions otherwise food may drop off.

The shelves will not pull out accidentally when you remove foodstuff from the appliance.

Crisper

The refrigerator is designed to include a fruits, vegetables and/or deli crisper. Its inside temperature can be adjusted according to the type of food being stored.

Turn up the humidity control button located on the right-hand side of the crisper (**Fig.2-4**) to increase the humidity inside. In doing this, the crisper is suitable for storing cucumbers, grapes, oranges, apples, peaches, lettuce and other produce with a high moisture content.

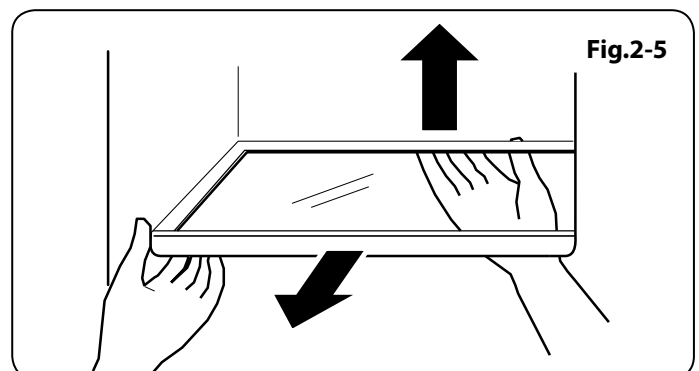
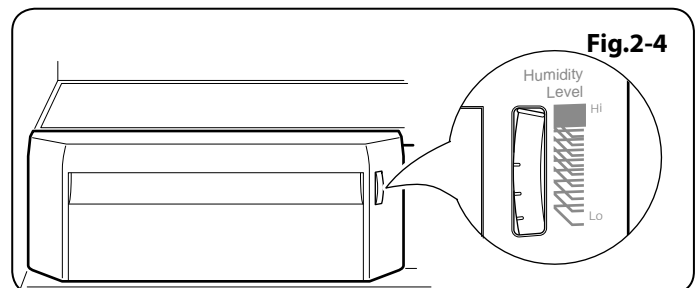
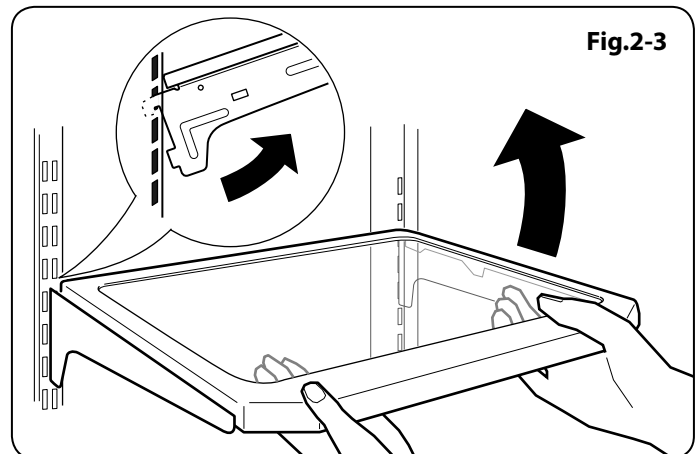
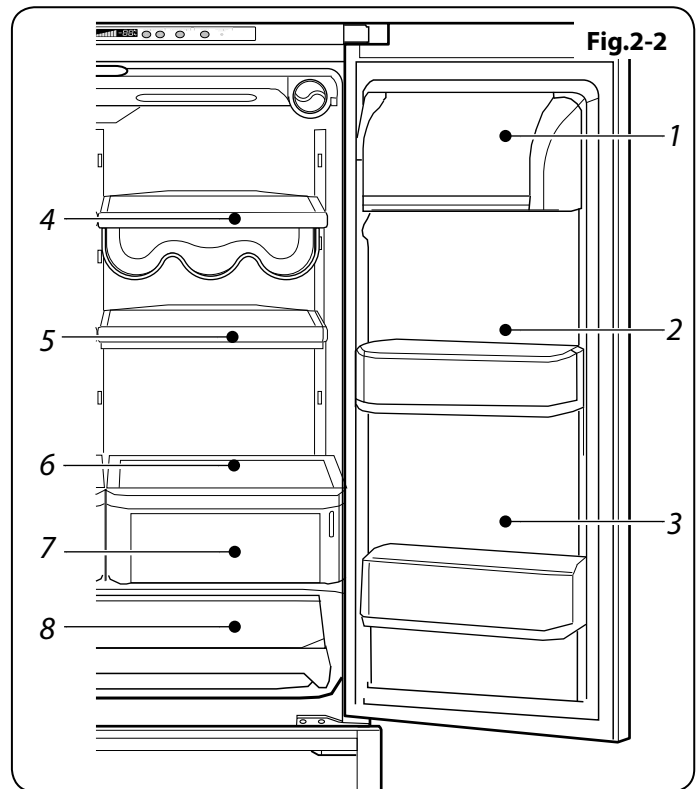
Turn down the humidity control button to lower the humidity in the crisper. This is suitable for storing meats, cheeses, onions and other drier foods.

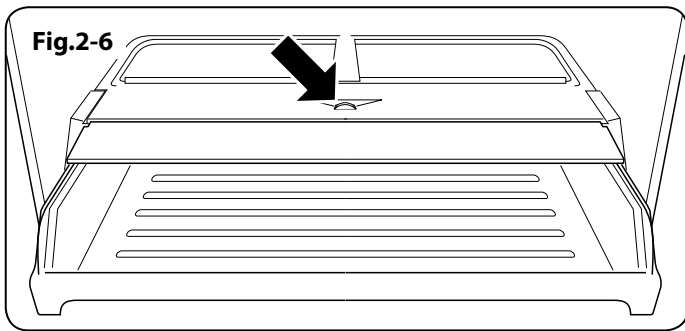
To remove the crisper cover lift up the shelf, then pull it straight out in the direction shown (**Fig.2-5**).

Full Width Pantry

The refrigerator is specially designed to include a full width pantry with a temperature which can be adjusted depending on the type of food to be stored.

Note: Do not press the air-regulator button (**Fig.2-6**) too hard to avoid any damage.





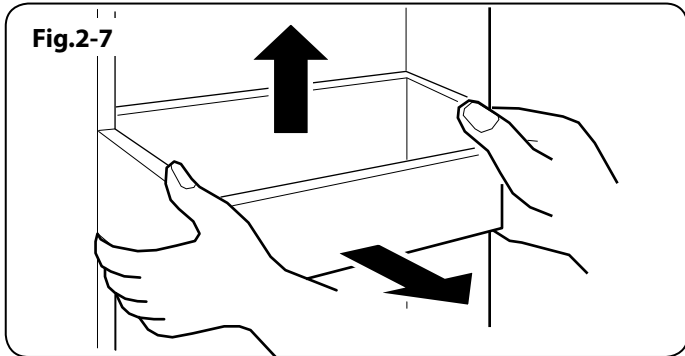
Bottle Rack Height Adjustment

Hold both sides of the bottle rack then lift and pull it straight out for cleaning or to change location (Fig.2-7).

After cleaning, the bottle rack can be installed in the reverse manner, and the position can be adjusted according to the height of the food to be stored.

⚠ When adjusting the height of the bottle rack, it is better to house the dairy bin above the bottle rack.

⚠ When opening or closing the dairy bin, please take care not to trap your fingers (Fig.2-8).



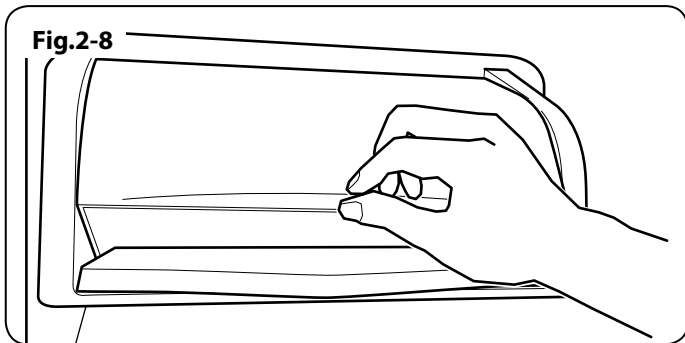
About the Freezer Compartment

The freezer compartment consists of upper and lower drawers.

The upper freezer drawer (Fig.2-9) is arranged to load ice cubes in a tray on the left-hand side and either more ice or frequently frozen and frequently used foods on the right-hand side of the drawer.

The lower deep freeze drawer (Fig.2-10) is for longer duration freezing.

Note: Do not pull the freezer drawers with too much force as food may fall out. Do not overpack the drawer otherwise food will fall out when opening too fast.



Using the Ice Maker

Ice Maker Principles:

The ice maker tray periodically receives an automatic flow of water to the ice maker ice cube tray. Once the water freezes a sensor on the tray recognises cubes have been made and automatically twists the tray to drop the ice cubes into the ice bucket. The capacity of the ice maker depends on the ambient temperature, frequency of the freezer door openings and freezer compartment cooling temperature setting. Typical ice harvest is 1.8 kg per day.

If This is Your First Ice Maker

Occasionally you may hear sounds, like the flowing of water or ice cubes dropping. These sounds are quite normal and are not a cause for concern or complaint. In periods of infrequent use ice cubes may stick together; again this is quite normal.

If You Do Not Use Ice Too Often

Older ice cubes can get stale. Clean the ice container periodically using warm water. Before putting it back, dry it well so that the cubes do not stick to the surfaces.

If You Do Not Use the Ice Container For Long Periods of Time:

If you will not be using the ice container for a long time, throw out the remaining ice cubes, wash the container with warm water, dry it with a towel and place back in the fridge. Close the water supply to the ice maker (see 'Closing the Water Supply to the Ice Maker').

Note: When opening the upper freezer drawer, avoid rapid pull out which can cause the ice cubes to fall into the lower deep freeze drawer.

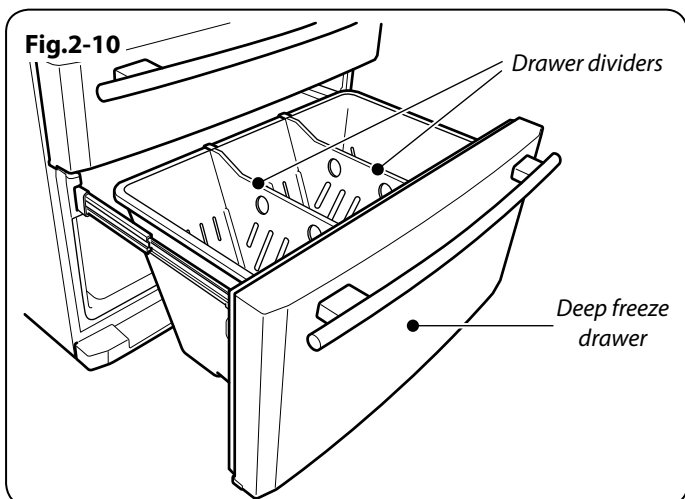
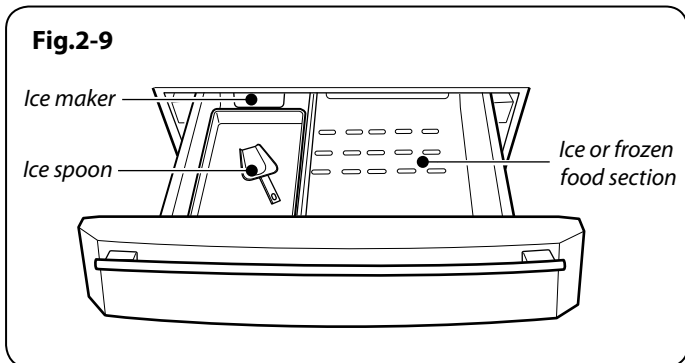


Fig.2-11



- A – Quick freeze button,
- B – Freezer temperature adjusting buttons,
- C – Freezer temperature display,
- D – Refrigerator temperature display,
- E – Refrigerator temperature adjusting buttons,
- F – Refrigerator quick chill button,
- G – Water filter reset button,
- H – Water filter indicator

Fridge Freezer Controls

The Fridge Freezer control panel is situated inside the fridge compartment at the top, as shown in **Fig.2-11**.

Fridge Settings

Adjusting the Fresh Food Temperature

The fridge temperature range is 1 °C to 7 °C.

Press either of the refrigerator adjustment buttons '<' or '>' (**Fig.2-12**) and the refrigerator digital display will flicker.

Press button '<' to reduce the temperature; press button '>' to increase the temperature.

Fresh Food Quick-Chill

Press the Quick Chill button (**Fig.2-13**) and the Fresh Food quick-chill refrigerator indicator lamp will illuminate. The refrigerator is now in quick-chill refrigerator mode. The refrigerator will switch out of quick-chill mode when the storage temperature is 1 °C lower than the desired temperature.

If you want to switch off the quick-chill mode, press the Quick Chill button. The quick-chill indicator lamp will go out, and the refrigerator will be out of quick-chill mode.

Freezer Settings

Adjusting the Freezer Temperature

The freezer temperature range is -19 °C to -13 °C.

Press either of the freezer temperature adjustment buttons '<' or '>' (**Fig.2-14**) and the freezer digital display will flicker.

Press button '<' to reduce the temperature; press button '>' to increase the temperature.

Freezer Quick-Freeze

The quick-freeze function is designed to freeze food completely in the shortest possible time.

Press EXPRESS FRZ button and the Express-freeze button indicator lamp will illuminate (**Fig.2-15**). The freezer is now in the quick-freeze mode.

The freezer will remain in this mode for 4 hours. You can press the Quick Freeze button after 3 hours if you wish to end the quick-freeze mode early.

Fig.2-12

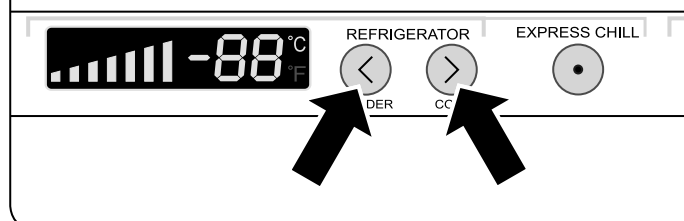


Fig.2-13

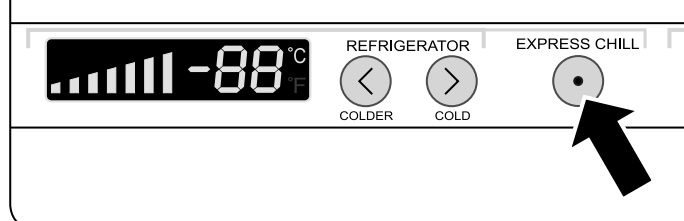


Fig.2-14

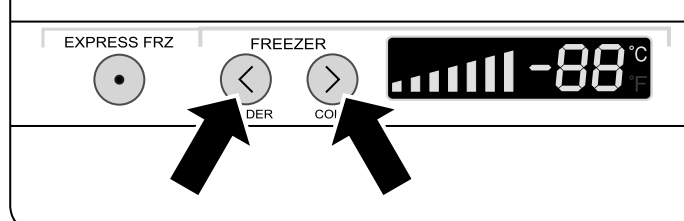
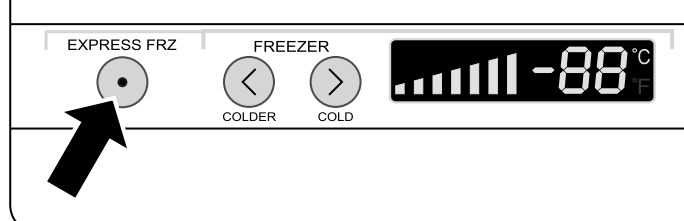
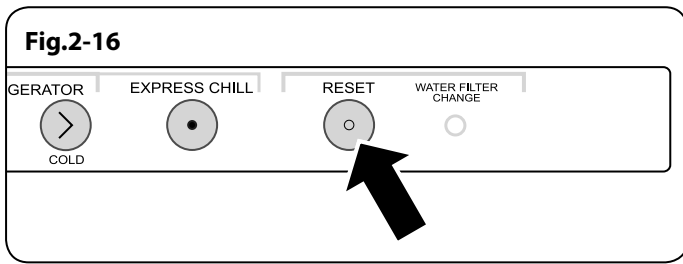


Fig.2-15



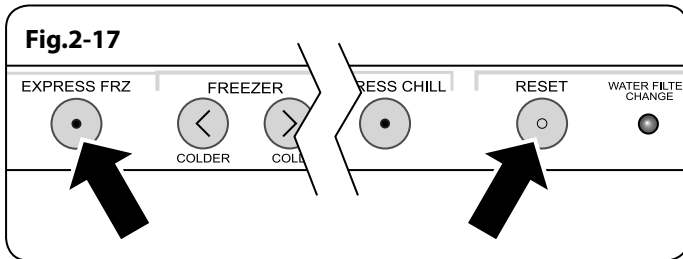


Water Filter Settings

When the water filter indicator light is illuminated this means the water filter should be changed.

After the water filter is changed, press the Water Filter RESET button (**Fig.2-16**) – the water filter indicator light will go out.

Note: If the water filter illuminator light does not go out when the RESET button is pressed then try the following: Make sure the freezer is in Quick Freeze mode, then press and hold the EXPRESS FRZ and the RESET buttons (**Fig.2-17**) for 3 seconds. The water filter indicator light will go out.

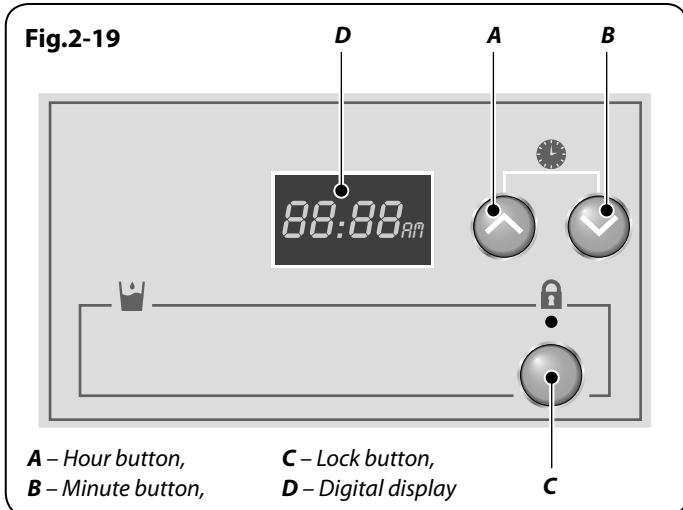
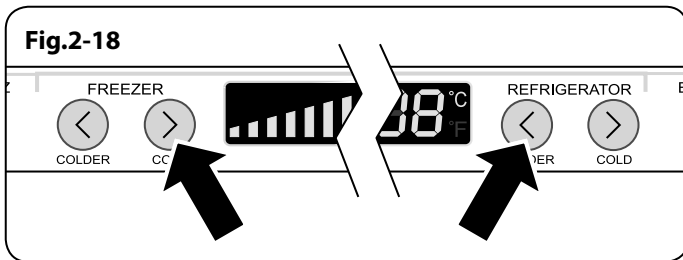


Closing and Opening the Water Supply to the Ice Maker

To close the water supply, press and hold the freezer button '>' and refrigerator button '<' simultaneously for 3 seconds (**Fig.2-18**). The 'EXPRESS FRZ' indicator will flash.

This will shut off the water supply to the ice maker but will not affect the water dispenser.

To re-open the water supply, simply press and hold the freezer button '>' and refrigerator button '<' simultaneously for 3 seconds again (**Fig.2-18**). The 'EXPRESS FRZ' indicator will stop flashing, indicating that water is once again available to the ice maker.



Dispenser Control

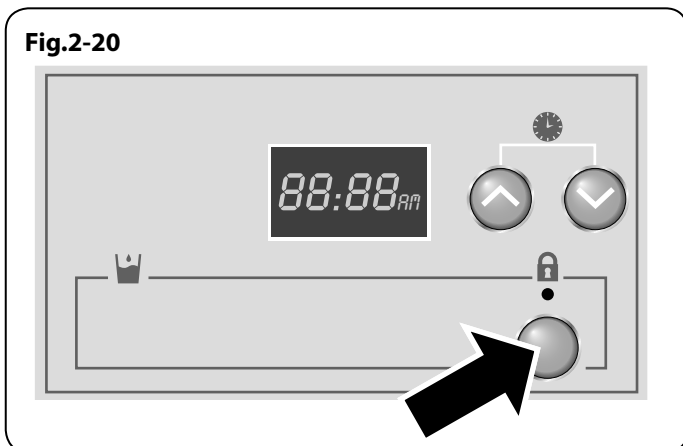
The Dispenser Control panel (**Fig.2-19**) is situated on the front of the left-hand door.

To Lock

Press and hold the 'A' button (**Fig.2-20**). When the buzzer sounds the lock indicator will light – the clock settings are now fixed and the cold drinks dispenser is locked.

To Unlock

Press and hold the 'A' button (**Fig.2-20**). When the buzzer sounds and the indicator light goes out the dispenser is unlocked. The clock settings can now be adjusted and the cold drinks dispenser can be used.



Adjusting the Clock

Press and hold both the '^' button and 'v' button for three seconds (**Fig.2-21**). After the buzzer sounds the digital display will flicker and the clock can now be set. Press the '^' button to adjust the hours, and the 'v' button to adjust the minutes.

Note that it is a 12-hour clock.

Control Centre Power Down

After 30 seconds the digital display on the control panel will switch off until such time as the refrigerator is used again.

Changing the Digital Display Mode

You can change the digital display setting so that the display remains lit. To change the setting:

1. Press the '🔒' button until the lock indicator is lit (**Fig.2-20**).
2. Press and hold both the '⤴' button and '⤵' button (**Fig.2-21**) until a bleep sound is heard.

The clock is now set. To revert to the energy saving setting simply repeat the procedure.

Note: If power to the refrigerator is interrupted the display will return to the default mode.

Using the Water Dispenser

When using the water dispenser for the first time you may not get water out immediately since air will be in the line. Please press the dispenser tab for at least 1 minute, to clear the air and replace it with water from the water tank.

The first few cups of water will be warmer than the remaining cups. This is normal.

- Do not use a paper cup or one that is too tall to fit into the dispenser cavity.
- When dispensing water please keep your cup under the spout for a few seconds after finishing operating the tab to catch all the water droplets.
- If the dispenser has not been used for a while, throw away the first 5 cups of water to remove any impurities in the lines.

Error Codes

In the event of an error occurring, the main control digital display screen will show one of the following codes:

F1, F2, F3, F5, F6, Ed, ER, ES, E0, E1, E2.

If this happens, please contact Customer Service to have the refrigerator repaired.

Door Ajar Alarm

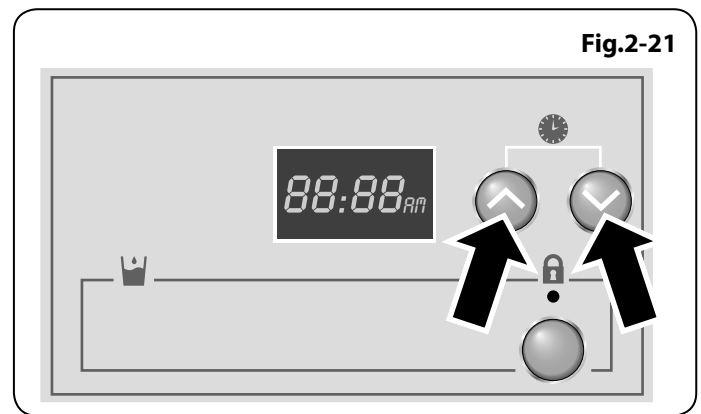
If any door is left open for more than 60 seconds the Door Ajar Alarm function will start. An alarm will buzz at 30-second intervals to alert the user that a door has been left open.

Over-voltage Protection

This refrigerator is equipped with power-surge protection. When this function is in effect, the refrigerator will switch off automatically. After 5 minutes, the power should be turned back on.

Power-breaking Memorising Function

When the refrigerator turns off as a result of a power surge, the state of the refrigerator before the power break is memorised. Once restarted, this allows the refrigerator to operate with the programmed default values as before the power break.



3. Food Storage Tips

Tips on Storing Fresh Food

- Make sure that foods, which have been cooked and require chilling, are at room temperature before placing them into the appliance. Make sure that these foods are stored in suitable containers.
 - Foods stored in the refrigerator should be cleaned and dried before storing.
 - Before foods are put into the refrigerator, it is recommended that the foods should be pressurised, so that the water cannot vaporise, and the fruits and vegetables keep fresh and food smells will not mix.
 - Stored foods can be marked in bags.
 - Foods eaten daily should be stored at the front of the shelf.
 - Make sure that foodstuffs are stored systematically (raw meats with raw meats, dairy with dairy) to avoid flavour transfer and cross contamination. Raw meats should be stored towards the bottom of the appliance to prevent the possibility of it dripping onto uncooked food. Other foods should be stored above raw meat.
 - When storing food in the fresh food section always make sure there is adequate space for airflow circulation. This helps to maintain the shelf life of the food.
 - When storing food in the refrigerator make sure that foods are not too close to the rear wall to avoid the risk of freezing.
 - It is suggested for radishes and other root vegetables to trim the leaves. This keeps the nutrition in the root and not absorbed by the leaves.
 - Put frozen foods into the fresh food area to let them defrost. The low temperature of the refrigerator reduces the formation of bacteria and extends food life.
 - Some foods like onions, garlic, bananas and root vegetables are better stored at room temperature than in the fridge.
 - Melon, pineapples and bananas can go directly into the freezer after preparing, for storage over a longer period.
 - Packaging fresh foods properly, using the correct temperature and taking into account food hygiene, will enhance the quality of fresh foods stored within this appliance.
 - Use plastic bags, aluminium foil or other food wraps to cover fresh foods not in packaging to prevent flavour transfer and prevent contamination.
 - Before storing items in multi-packs (i.e. yoghurt) remove any excess packaging.
- ⚠ NEVER store anything that is flammable, volatile or explosive inside the appliance.**
- Beverages with high alcohol content should be stored vertically in tightly sealed bottles.
 - Delicate foods should be stored in the coolest part of the appliance.
 - Try not to open the door too often.
 - Set the thermostat to make sure that foods remain suitably cold; try to avoid freezing within the fridge. Using a thermometer will help you to judge how cool the appliance is. Place it into a glass of water and leave it inside the appliance for several hours to get a reliable reading.
 - Some foods contain natural oils and acids (e.g. citric acid) which can damage plastics if spilled – make sure these foods are suitably contained.
 - Unpleasant odours inside the fridge are a sign that something has spilled and cleaning is required. Using warm water with bicarbonate of soda will clean the interior of the appliance and remove most spillages (see 'Cleaning and Maintenance').
 - Always remember to remove perishable foods from this appliance before taking prolonged trips of holidays.

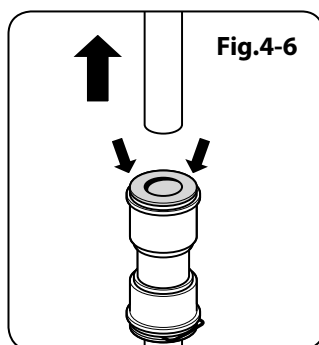
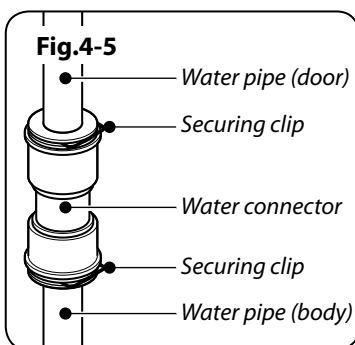
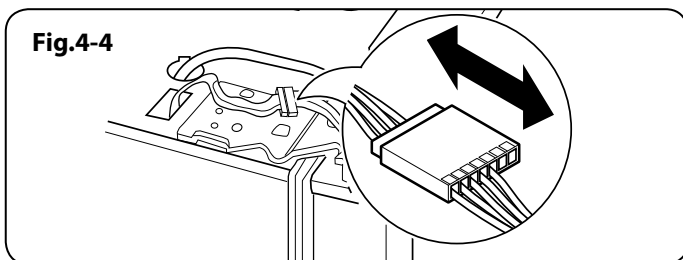
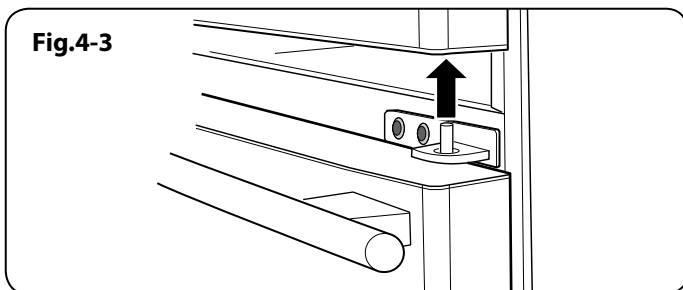
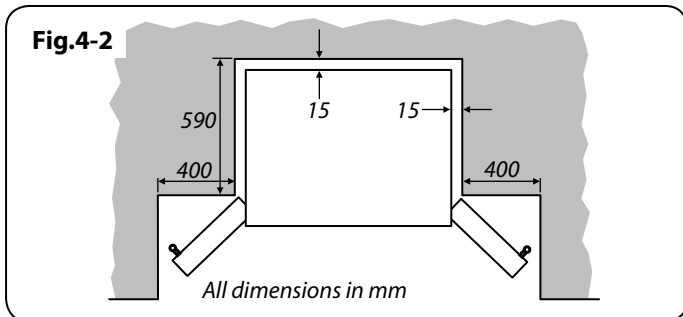
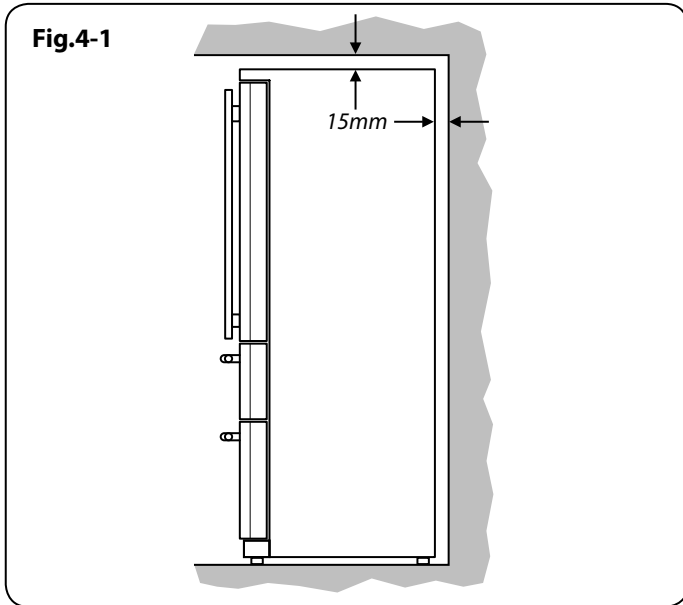
Tips on Freezing Food

- As with storing fresh foods, suitable packaging, correct temperature and food hygiene will enhance the quality of the food you are freezing.
- Avoid putting hot foods into the freezer. First let them cool until they reach room temperature.
- Make sure that all foods for freezing are of a high quality, and suitable for freezing.
- Use packaging material that is odourless and airtight (such as plastic bags) to store food in so different foods can be mixed without affecting the quality. Make sure that it is airtight. Leaking packaging will dehydrate the products and lead to loss of beneficial vitamins.
- Keep the surface of the packaging dry – this keeps the packs from freezing together.
- Mark packages with the kind of food contained and the date of storage.
- Food needs to be frozen quickly, so it is best to freeze small portions whenever possible and ensure that they are as cold as possible before storage. The recommended maximum weight for each portion is 2.5 kg.
- Keep food which is fresh away from food which is already frozen, if you need to freeze fresh food every day, make sure that it is in small portions to prevent this.
- Do not exceed the maximum load for freezing – which is given as 10 kg / 24-hours (see data badge for details).
- Write the expiry date and food names on the outside of the packaging so you can be assured of the food type and when it is safe to eat.
- Take food from the freezer to defrost when needed. Defrosted food cannot be refrozen unless it is cooked.
- Do not put too much fresh food into the freezer at once. This could go beyond the freezer's cooling capacity (see *'Technical Data'*).

When storing commercially frozen foods, please follow these guidelines:

- Always follow manufacturers' guidelines for the length of time you should store food for. Do not exceed these guidelines!
- Try to keep the length of time between purchase and storage as short as possible to preserve food quality.
- Buy frozen foods, which have been stored at a temperature of -18°C or below.
- Avoid buying food which has ice or frost on the packaging – This indicates that the products might have been partially defrosted and refrozen at some point – temperature rises affect the quality of food.
- Should there be a power cut, or the freezer / refrigeration appliance fail for any length of time you may need to remove food from the freezer and store in a cold, hygienic place (i.e. garage or out house area) until the power is restored, or the appliance is repaired.
- To prevent undue temperature rises you should wrap the foods in layers of insulating material, such as newspaper, to help to maintain their temperature. It is also important that any food affected by this situation should be either consumed or cooked and refrozen (where suitable) soon afterwards in order to prevent health risks.
- Layers of newspaper can also be used to help keep foods cold while you are defrosting the freezer (see *'Cleaning and Maintenance'*).

4. Installation



Positioning Your Appliance

Choosing the Right Location

This appliance should be installed in a room that is dry and well ventilated. To ensure adequate ventilation, the refrigerator should be at least 15 mm clear on all sides from kitchen cabinetry (**Fig.4-1**). Any units placed above the appliance must be clear by 15 mm to allow sufficient ventilation.

If locating the refrigerator close to a corner, sufficient spacing must be left for opening the doors and removing the shelves (**Fig.4-2**).

This appliance should be at least 100 mm from any electric or gas cooker and 300 mm from any coal or oil stove. If this is not possible, ensure that appropriate insulation is used.

Avoid exposing the appliance to direct sunlight, and sources of heat (such as radiators, heaters or cookers).

If this appliance is situated in a cold environment (such as a shed, outhouse or garage) it will affect its performance. You may find that the performance of the appliance is not consistent and this may damage foods. A consistent ambient temperature of 10 °C or above is recommended.

Removing and Installing the Doors and Drawers

▲ In the event that you need to remove the refrigerator doors, please follow the door removal and installation instructions below.

▲ It is suggested, for your safety, to have two or more people to assist you in completing the below task to avoid injury, product damage or property loss.

Door Removal and Installation

Undo the retaining screws on the top cover. Remove the top cover and place to one side for reinstallation.

Right-hand Door

Using a suitable screwdriver, remove the top hinge screws and remove the hinge. Lift the refrigerator door off the lower hinge (**Fig.4-3**) and place it to one side.

Refit the door and cover in the reverse sequence.

Left-hand Door

Disconnect the wire cable connector (**Fig.4-4**) above the left-hand hinge.

On the back of the appliance, remove the water pipe cover. Pull the upper securing clip off the water connector (**Fig.4-5**). Push down on the top of the connector to release the water pipe (**Fig.4-6**) and remove.

From the top of the left-hand door, pull out the water pipe until it is clear of the refrigerator body.

Using a suitable screwdriver, remove the top hinge screws and remove the hinge. Lift the refrigerator door off the lower hinge and place it to one side.

Refit the cable, pipe, door and top cover in the reverse sequence.

⚠ When removing the hinge and separating it from the door body make sure to support the door to stop it falling forward.

Removing the Upper Freezer Drawer

Open the drawer as far as possible. Remove the ice tray and divider. Pull the rear section of the drawer inner compartment upwards slightly to enable the front section to be released from the door.

Hold and pull the front section of the inner compartment upwards to remove it from the refrigerator.

Undo the retaining screws (**Fig.4-7**) holding the upper drawer to the telescopic runners. Lift the drawer upwards and remove.

Removing the Lower Freezer Drawer Inner Compartment

Open the drawer as far as possible. Pull the rear section of the drawer inner compartment upwards slightly to enable the front section to be released from the door (**Fig.4-8**).

Hold the front section of the inner compartment and pull it upwards to remove it from the refrigerator.

Adjustable Feet

Make sure that the appliance is on solid level flooring. If the refrigerator is placed on a plinth, flat, strong and fire resistant materials must be used.

This appliance has front adjustable feet, which can be used to level the appliance.

Insert a suitable flat screwdriver into the slots of the adjustable feet. Turn the screwdriver clockwise to raise the feet (**Fig.4-9**), and anti-clockwise to lower the feet (**Fig.4-10**).

Levelling the Doors

If the door heights are uneven, spacer rings (supplied) can be inserted to raise the door level.

Raise the door up from the lower hinge. Using a suitable pair of pliers, insert a clip ring between the door and hinge (**Fig.4-11**). Up to three clip rings can be inserted as required.

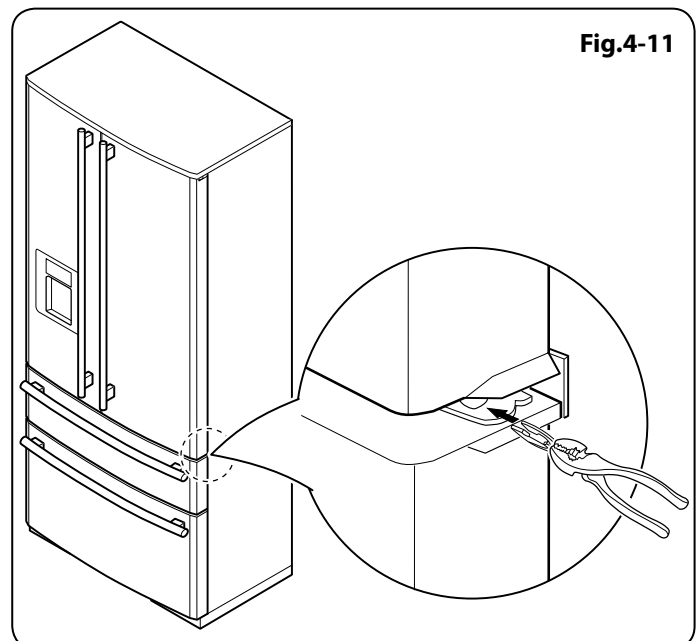
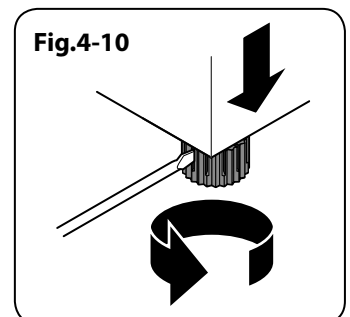
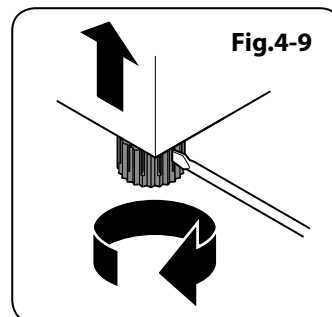
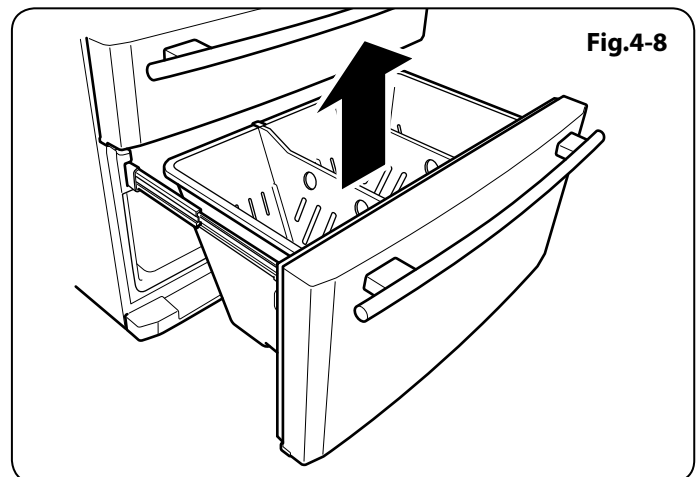
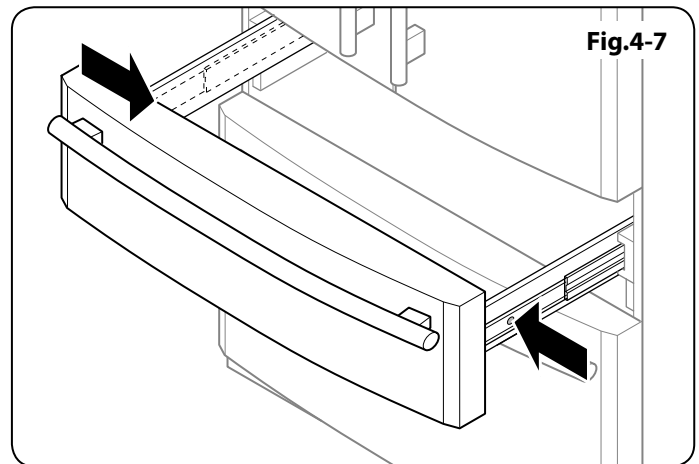
Electrical Supply Connection

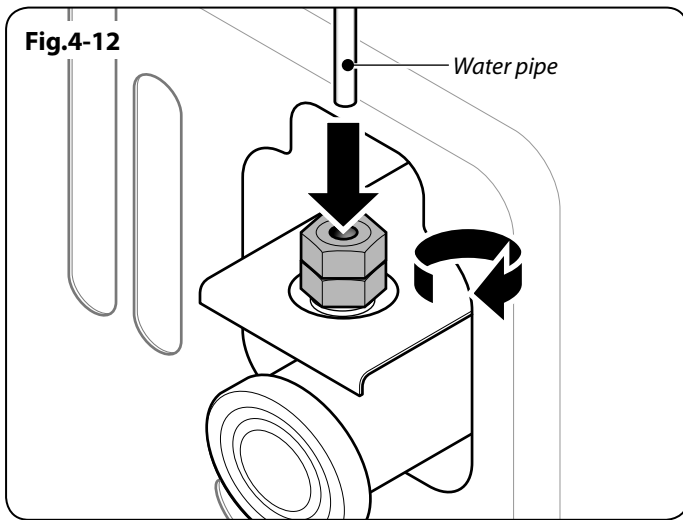
Connect the appliance to the electrical supply (220-240 V ~ 50 Hz) with the plug and lead, which are fitted.

Connections to the mains supply should be in accordance with local regulations.

⚠ The appliance must be plugged into an earthed socket.

⚠ Always make sure that the plug is accessible after the appliance has been positioned.





Water Supply Connection

⚠ It is recommended to have this product installed by a qualified technician.

Cut the water pipe according to need and avoid bending the water pipe too much. Usually, the pipe length should be less than 5 m. If the water pipe is too long, the ice and cold water content will be affected because there may be insufficient water pressure.

Insert one end of the water supply pipe into the water inlet on the rear of the appliance (**Fig.4-12**).

Connect the other end into the plastic adaptor. Screw the adaptor onto a suitable $\frac{3}{4}$ " check valve or washing machine valve.

The water pressure should be between 207-827 kPa (21-123 psi) for correct operation of the cold water dispenser and ice maker.

Open the water valve to flush the pipe, check leakage in the water pipe joints and allow the water to run until it is clear.

The water pipe cannot withstand heat. Keep it away from all heat sources.

Before first use, press the water dispenser pad several times for 1 minute. Do not press for more than 1 minute to prevent overheating of the pad activator solenoid. Cold water will begin to flow from the outlet.

The water filter is there to filter impurities in the water, and to make ice clean and hygienic. **It cannot sterilise or destroy anything**, so be certain to connect the water pipe to a drinkable water source.

- To prevent the pipe from freezing, do not install the water pipe in a space below 0 °C.

When the temperature of the ice maker is equal to or below -15 °C the ice maker will begin to make ice.

- Throw out the first few batches of ice cubes if you are making ice for the first time or have not made it for a long time.
- After the refrigerator is installed, put the water supply pipe in a suitable place to prevent crushing and damage.
- If the cubed ice becomes smaller, this may suggest that the filter is blocked from the impurities.

5. Cleaning and Maintenance

Defrosting

Defrosting is done automatically so there is no need to manually defrost this appliance.

- ⚠ **DO NOT use mechanical devices to accelerate the defrosting process.**

Cleaning

- ⚠ **Disconnect the appliance from the power supply before cleaning.**

To keep internal odours to a minimum it is best to periodically clean the inside shelves, crispers, bins and wall.

Empty the appliance of food and remove the shelves.

Clean the interior using warm water and bicarbonate of soda with a soft cloth. Make sure that the interior is then dried carefully with a suitable cloth.

- ⚠ **DO NOT use harsh abrasives, or aggressive cleaners as these can damage the interior of the appliance.**

Shelves and other accessories (plastic and glass parts) can be cleaned in the sink using liquid dishwashing liquid and warm water. Make sure all soap is rinsed off and all parts are dry before replacing them inside the appliance.

Always keep the door seals clean.

- ⚠ **The fridge is heavy. When moving the refrigerator be careful to protect the floor. Keep the refrigerator vertical and do not tilt the refrigerator – this prevents damage to the floor.**
- ⚠ **DO NOT spray or rinse the fridge with water or other liquids. This could harm the electrical parts.**
- ⚠ **Use a dry cloth when cleaning near the electrical parts (such as the light bulb or switch).**
- ⚠ **DO NOT clean the fridge with a stiff or wire brush.**
- ⚠ **DO NOT use an organic solvent such as detergent, petrol, lacquer, thinners, acetone or acid.**
- ⚠ **To prevent your skin sticking to cold steel parts, make sure your hands are not wet when touching the parts.**
- ⚠ **DO NOT use HOT water to clean the glass shelves, as they may break or crack.**

Water Filter

When the water filter indicator light comes on, it is indicating that the water filter requires changing (approximately every 6 months). This interval is recommended for daily use.

If not used regularly, then it is suggested that the water filter is replaced annually or when the water capacity or the ice making capacity has shown an obvious decrease.

Please pay attention to your local conditions, as you may need to change the water filter more frequently due to the different water properties.

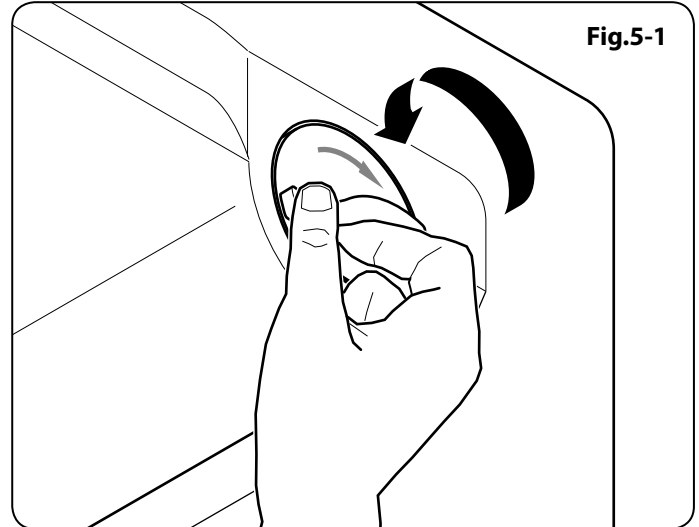
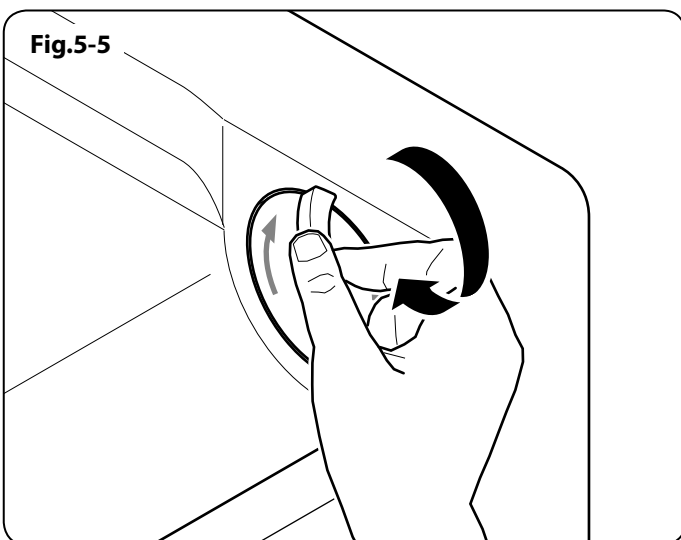
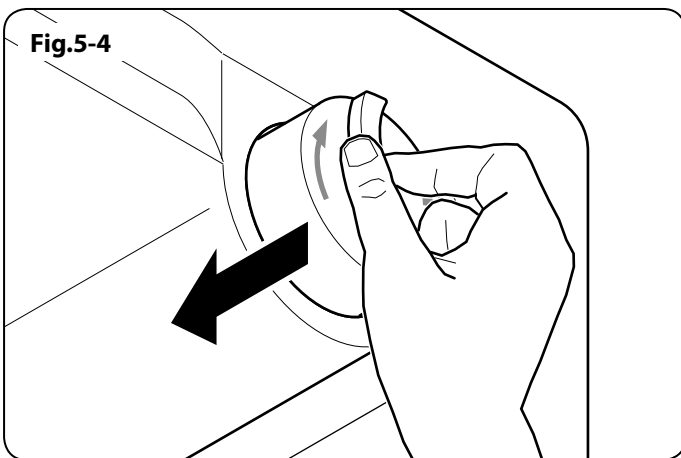
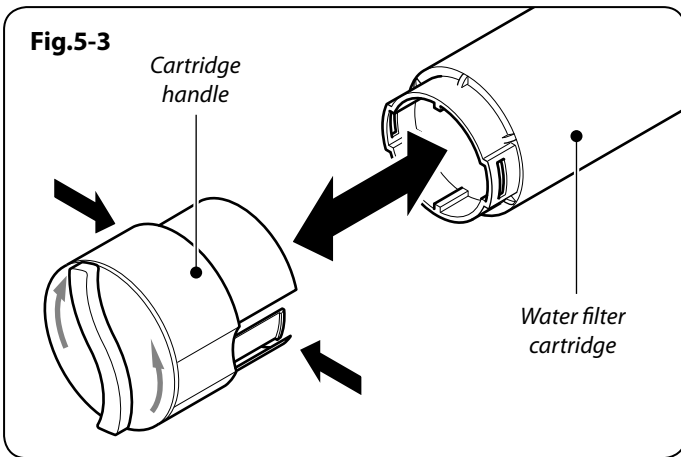
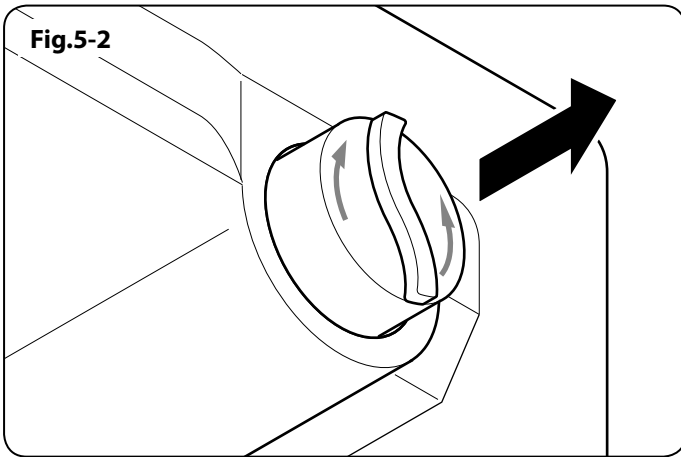


Fig.5-1



Changing the Water Filter

Remove the old filter by turning the filter cartridge handle anti-clockwise (**Fig.5-1**). The cartridge will eject slightly from the filter housing (**Fig.5-2**).

⚠ Air trapped in the system may cause water and the filter cartridge to eject. Use caution when removing.

Pull out the cartridge from the filter housing.

Note: Place a container under the filter housing to catch any water that may leak from the old filter cartridge.

Unclip the filter handle from the cartridge (**Fig.5-3**).

Remove the protective heat seal from the filter cartridge. Clip the filter handle onto the new filter cartridge (**Fig.5-3**). Insert it into the filter housing with the cartridge handle in the vertical position (**Fig.5-4**). Push the filter cartridge into the housing until it stops.

Gently turn the filter cartridge handle clockwise until it locks. The handle should now be horizontal (**Fig.5-5**).

Run the water dispenser for 3 to 5 minutes, at one minute intervals, to flush out the water tank.

Reset the fridge display – see 'Fridge Freezer Controls - Water Filter Settings'.

⚠ After installing a new water filter, discard all ice produced during the first 24 hours.

⚠ The fridge water dispenser and ice cube maker cannot be used without the water filter.

For filter replacement questions or information on your appliance, contact your dealer.

Shutting Off the Refrigerator

In the event of a power cut, food should remain safely cold for about 3 hours.

Should there be a prolonged power cut you may need to remove food from the freezer compartment and store it in a cold place, wrapped in layers of newspaper to preserve suitable temperatures.

Once power is restored replace the food back into the freezer compartment.

Should food begin to defrost, or the power cut last longer than expected, it is advised that you consume any food removed from the freezer.

If the power outage is short term, most foods can be left inside the freezer compartment – this is the best way of preserving temperature – and surrounded by ice cubes from the icebox. This is also an ideal solution for power outages you may have been pre-warned about.

When experiencing a power cut of any kind, do not add any extra foods to the freezer.

When Not in Use

If you are not using the appliance for an extended length of time, it is recommended that you switch off the electrical supply, empty any food out, clean the inside of the appliance and leave the door ajar. This will save energy, and also prevent a build up of stale odours inside.

The Light

The LED interior lights come on when the door is opened. The performance of the light is not affected by any of the appliances other settings.

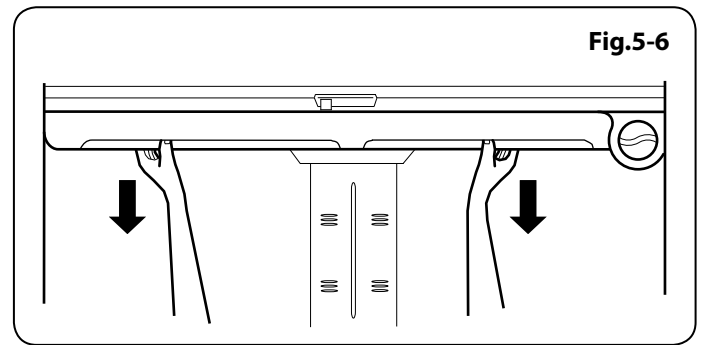
Air Curtain Removal and Installation (only for servicing if needed)

Remove the water filter. Take off the fresh food light shield and unscrew the bulb.

Using a suitable screwdriver, remove the screws of the air curtain frame.

Take down the fresh food air curtain by using your hands to press down on the air curtain with a little force (**Fig.5-6**).

Reinstall the air curtain and water filter in the reverse order.



6. Troubleshooting

Before calling for service, please first read the following table: this could save you time and money.

Problem	Cause	Solution
The temperature is too low		
1.1 The temperature inside the freezer is too low, with the fresh food temperatures fine.	1.1.1 The temperature inside the freezer section is set too low.	1.1.1.1 Set the temperature in the freezer slightly higher then wait 24 hours for new balance to be achieved.
1.2 The temperature inside the fresh food compartment is too cold, while the freezer sections are fine.	1.2.1 The temperature inside the fresh food area is set too low.	1.2.1.1 Set the temperature inside the fresh food section slightly warmer. The temperatures will reach new balance within 24 hours.
1.3 The foods stored in the full width pantry are frozen.	1.3.1 The control setting in the fresh food area is set too cold.	1.3.1.1 Set the fresh food control setting slightly higher. The new set point temperature will reach a balance within 24 hours.
1.4 The foods stored in the crisper are frozen.	1.4.1 The settings for the fresh food compartment are too cold.	1.4.1.1 Raising the fresh food control settings to a slightly higher temperature and/or lowering the humidity control setting will prevent frost or ice forming.
1.5 Readings on the dispenser display are showing error codes.	1.5.1 An electronic operating problem has been encountered.	1.5.1.1 Call your service engineer who can diagnose the problem and make correction.
The temperature is too high		
2.1 The freezer drawer sections or fresh food compartment temperatures are too high.	2.1.1 The doors or drawers are open frequently or for too long each time.	2.1.1.1 Try to reduce frequency of opening doors and drawers.
	2.1.2 The doors or drawers are left open.	2.1.2.1 Take extra care to keep gaskets sealing well around the perimeter of the doors. Keep gaskets clean and dirt free.
	2.1.3 The condenser is dirty.	2.1.3.1 Periodically clean the condenser coil with a vacuum cleaner attachment.
2.2 The temperature is too warm in the freezer but okay in the fresh food section	2.2.1 The temperature setting in the freezer is set too warm.	2.2.1.1 Set the temperature colder for the freezer section. Then allow it to balance within 24 hours at new colder temperature.
2.3 The temperature is too warm in the fresh food section but okay in the freezer.	2.3.1 The temperature setting in the fresh food section is set too warm.	2.3.1.1 Set the food temperature control slightly colder. The new colder temperature can be achieved within 24 hours.
2.4 The temperature inside the crisper is too warm.	2.4.1 The fresh food set temperature is too warm.	2.4.1.1 Set the fresh food temperature colder and the balance to colder temperature will be achieved within 24 hours
Water, humidity or frost/ice in the fridge		
3.1 Moisture formation on the inside of the fridge.	3.1.1 It is in a hot or humid environment.	3.1.1.1 Try raising the temperature slightly in the affected compartment.
	3.1.2 The door or drawer is left open.	3.1.2.1 Check to make sure the door gaskets are clean and sealing well against the metal cabinet frame.
	3.1.3 The door or drawer is opened too frequently or for too long each time.	3.1.3.1 Reduce the frequency of door openings.
	3.1.4 Food containers or liquids are left open.	3.1.4.1 Let hot foods cool to room temperature and cover foods and liquids.

Problem	Cause	Solution
3.2 Water droplets collect in the lower crisper drawer areas.	3.2.1 Humidity settings are set too high.	3.2.1.1 It is normal for some wet air to collect inside the enclosed crisper. To reduce the accumulation of moisture, lower the humidity setting and/or raise the fresh food compartment temperature.
3.3 Water forms at underside of the crisper glass covers.	3.3.1 Moisture given off from wet foods.	3.3.1.1 When placing foods in the fridge first pat them with a dry cloth to remove excess moisture.
	3.3.2 Door seal leaks or frequent door openings in humid environment.	3.3.2.1 Check the door gaskets and reduce door openings. Possibly raise fresh food temperature.

Water/humidity/frost on the outside of the fridge

4.1 Wet air forms droplets of water on the outside edges of the fridge.	4.1.1 Warm, humid air in the environment mixes with cooler air at the door gasket areas of the fresh food and freezer compartments causing condensation.	4.1.1.1 A small amount of dew or water moisture is normal. It is best to wipe it down with a dry cloth to improve performance.
		4.1.1.2 A slight increase in the compartment temperatures can reduce this moisture formation.
		4.1.1.3 Check door gasket for proper seal and clean.

Automatic Ice maker

5.1 The ice maker has stopped making ice.	5.1.1 The ice cube height sensor arm has detected a full tray condition.	5.1.1.1 To make more ice cubes you may distribute your ice to the center drawer right side (or lower drawer) to increase ice cube harvest
	5.1.2 The water supply valve is closed.	5.1.2.1 Turn on the water supply valve.
	5.1.3 The freezer section is not cold enough.	5.1.3.1 Adjust the setting to the freezer to colder setting and allow it to balance within 24 hours.
	5.1.4 The water source saddle valve is somehow blocked.	5.1.4.1 Check the water supply saddle valve for obstruction and replace it if damaged.
5.2 The ice making capacity is low.	5.2.1 The freezer drawer area is not cold enough.	5.2.1.1 Set the freezer drawer to a colder setting.
	5.2.2 The water supply valve is not at a high enough pressure or not open all the way.	5.2.2.1 1.7–8.4 bar (25–121 psi) and add water booster if too low.
		5.2.2.2 Make sure the water valve supply is open all the way.
	5.2.2.3 Make sure the water filter is distributing enough water and is not clogged.	
	5.2.3 The ice maker sensor arm is restricted or out of position.	5.2.3.1 Make sure the drawer gaskets are sealing and kept clean from dirt or debris.
5.3 The ice maker runs continuously.	5.3.1 The ice maker level sensor is stuck in the down position.	5.3.1.1 Check the movement of the ice maker sensor arm so it rests in the 'up' position.
		5.3.1.2 Make sure that no frozen packs or objects are obstructing the ice maker sensor arm.
5.4 The ice cubes have a bad odour.	5.4.1 Uncovered, unwrapped, foods are stored near the ice cube container.	5.4.1.1 Cover, wrap, and position frozen foods away from the ice cube container.
	5.4.2 The water filter has approached the end of its useful life.	5.4.2.1 Check and replace the water filter.
	5.4.3 The ice cubes have been set for too long a period of time.	5.4.3.1 Dump out the stale ice cubes.

Problem	Cause	Solution
Cold water dispenser		
6.1 Cold water not dispensing.	6.1.1 The water supply pipe is not open.	6.1.1.1 Open the water supply line all the way.
	6.1.2 The water filter is blocked.	6.1.2.1 Replace the water filter.
	6.1.3 The water line is blocked.	6.1.3.1 Check that the water tubes are not kinked or restricted.
6.2 The water has a strange odour.	6.2.1 The water has been stored too long without use.	6.2.1.1 Remove 10–12 cups of water and throw away. Check if the odour improves.
	6.2.2 The local potable water source is suspect.	6.2.2.1 Contact your local water supply company to check quality of the water.
6.3 The water supply pressure is too low.	6.3.1 Water pressure level is below specification minimum of 25 psi (1.7 bar).	6.3.1.1 Contact local plumbing supply dealer to install a water booster to obtain 1.7–8.4 bar (25–121 psi) water pressure rating.

The fridge has a bad odour

7.1 The inside of the fridge is dirty.	7.1.1 The inside walls, shelves, and door bins need cleaning	7.1.1.1 Clean all inside surfaces with warm water and a clean soft damp cloth then wipe dry.
	7.1.2 The foods in the fridge have been stored beyond their useful life.	7.1.2.1 Wrap and cover foods to extend useful food life.

The door or drawer is hard to open and/or close

8.1 The door has a closing problem.	8.1.1 The door may have food articles or packages that are obstructing closure.	8.1.1.1 Reposition the shelves, door bins, or internal containers to allow the door to close.
	8.1.2 The level of the refrigerator is causing the door to shift out of position.	8.1.2.1 Ensure the floor is level using sturdy materials that are also non flammable.
	8.1.3 The door could be hitting against adjacent cabinets or appliances.	8.1.3.1 Provide a good 25 mm (1") clearance on all 3 sides and on top of the cabinet so doors can open and close freely.
	8.1.4 The door hinge alignment may require adjustment.	8.1.4.1 Adjust hinges and add spacer clips supplied.
8.2 The drawers are hard to move in or out, or will not close.	8.2.1 The stored foods are interfering with the slide mechanism.	8.2.1.1 Position the foods away from the drawer sides and spread out the foods evenly within the drawers.
	8.2.2 The drawer slides are dirty from food particles.	8.2.2.1 Clean the drawer and wipe down the slides periodically so the slide ball bearings move freely.

Problem	Cause	Solution
General		
9.1 The compressor does not work.	9.1.1 The refrigerator is in deep freeze cooling	9.1.1.1 This is normal for a refrigerator that goes into deep freeze automatically. The period of deep freeze cooling lasts about 30 minutes.
	9.1.2 The refrigerator is not powered on.	9.1.2.1 Make sure the plug is inserted all the way into the power outlet. 9.1.2.2 Has the circuit breaker tripped? Check and change to a new 13 A fuse and/or reset the circuit breaker.
		9.1.2.3 Check the electrical supply to the room. Call the local electricity company.
9.2 The fridge operates frequently or operates for a long time.	9.2.1 The room temperature or ambient temperature is high.	9.2.1.1 It is normal for the fridge to operate continuously.
	9.2.2 The ice maker is in operation.	9.2.2.1 This is normal – the ice maker adds extra work load in the refrigerator.
	9.2.3 The doors or drawers are frequently opened and closed.	9.2.3.1 Try to reduce frequency of door or drawer openings.
	9.2.4 The control settings in the freezer and fresh food compartments are set to cold level.	9.2.4.1 Raise up the compartment temperatures slightly and allow 24 hours to reach new balance.
	9.2.5 Door and/or drawer gasket seals may be dirty, frayed or cracked.	9.2.5.1 Clean off the gaskets and/or heat slightly with hair dryer so gasket takes contour of metal frame.
	9.2.6 The condenser is dirty.	9.2.6.1 Clean the condenser.
9.3 The compressor frequently cycles on and off.	9.3.1 The compartment temperature sensors keep the fridge at the set points causing the compressor to cycle.	9.3.1.1 This is normal. The fridge compressor will provide the required cooling level.
9.4 A beeping noise from inside the fridge.	9.4.1 One door or drawer of the fridge is open for over 60 seconds.	9.4.1.1 This is normal and will repeat every 1 minute until the door or drawer is closed.

7. Warranty/After Sales Service

If consultation or technical assistance is needed, please provide the local authorised service agent with the purchase invoice and the product code/serial number.

The product number/serial number is located inside the refrigerator on the top left-hand side.

The 2 years free maintenance for the operation of the appliance started from the date of purchase of this product.

Any cosmetic damage to the appliance must be reported within 90 days of delivery.

For in-warranty service please call: **0845 6035312**.

For general enquiries please call: **0870 7895107**.

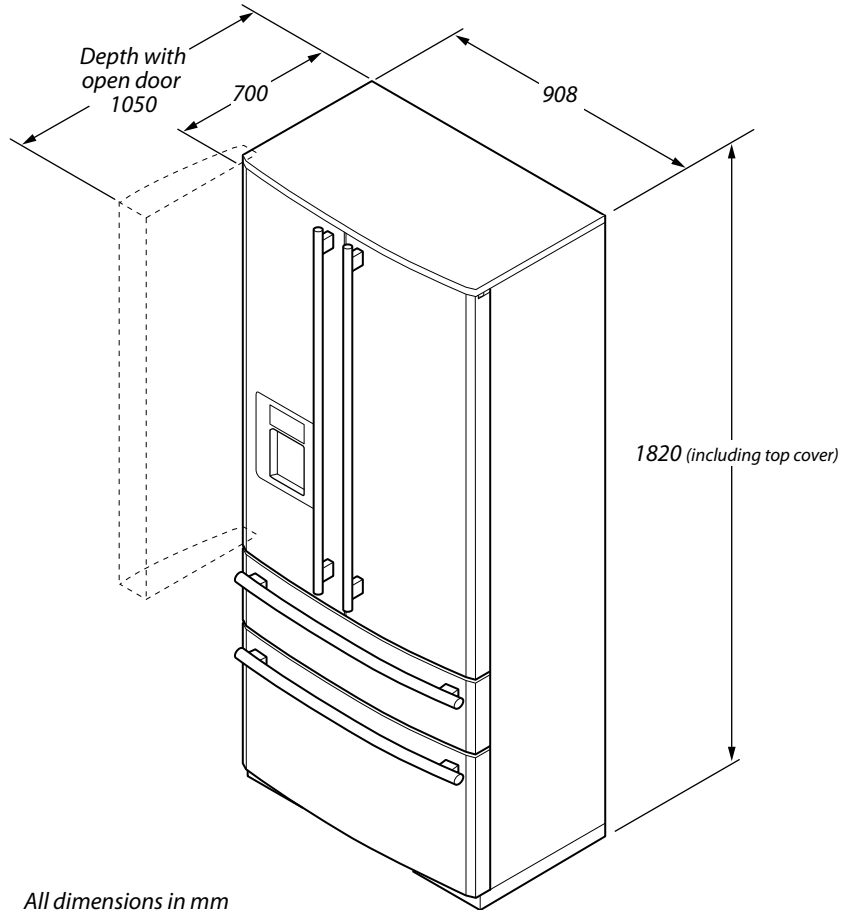
8. Technical Data

INSTALLER: Please leave these instructions with the user.

DATA BADGE LOCATION: Left-hand side of the refrigerator compartment.

COUNTRY OF DESTINATION: GB, IE.

Dimensions



All dimensions in mm

Ratings

Electrical – voltage / frequency	220–240V 50Hz
Energy efficiency class on a scale of A (more efficient) to G (less efficient)	A+
Climate class (SN = 10–32 °C, N = 16–32 °C, ST = 18–38 °C, T = 18–43 °C)	SN-T
Freezer compartment star rating	*/***
Temperature range (from > to)	0–10 °C / < -18 °C
Gross capacity	623 litres
Net capacity	510 litres
Net capacity – refrigerator compartment	389 litres
Net capacity – freezer compartment	121 litres
Freezer capacity / 24 hours	10 kg / 24 hours
Energy consumption / year	420 kWh / year
Energy consumption (EN153)	1.15 kWh / 24 hours
Maximum noise level	45 dB(A)
Maximum storage time by power failure	6.5 hours

AGA RANGEmaster

Clarence Street, Royal Leamington Spa,
Warwickshire, CV31 2AD, England.

Tel: +44 (0) 1926 457400 Fax: +44 (0) 1926 450526

E-mail: consumers@rangemaster.co.uk

