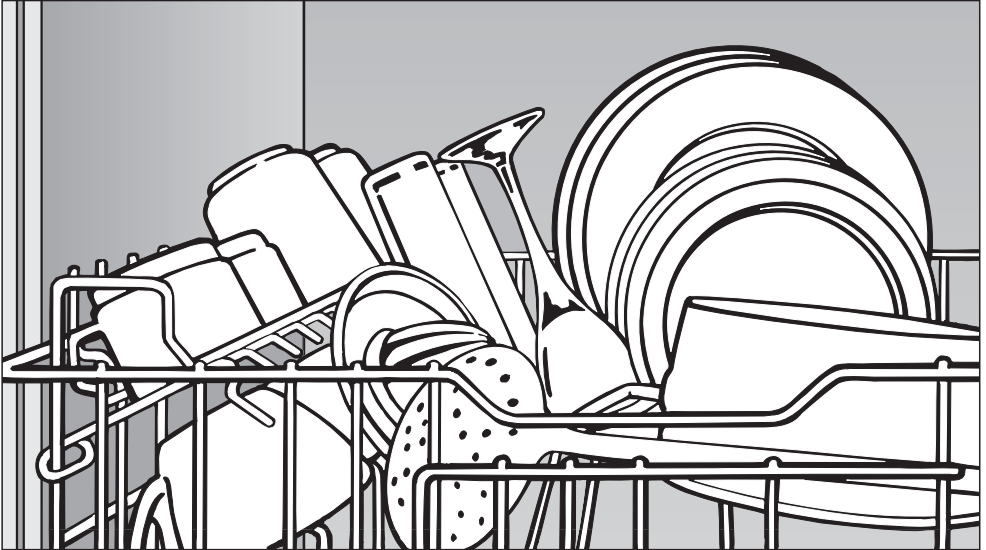


# Miele

## Operating instructions



## for dishwashers

It is **essential** to read the operating and installation instructions before installing, commissioning or using the machine, to avoid the risk of accidents or damage to the machine.



M.-Nr. 07 028 590

# Contents

---

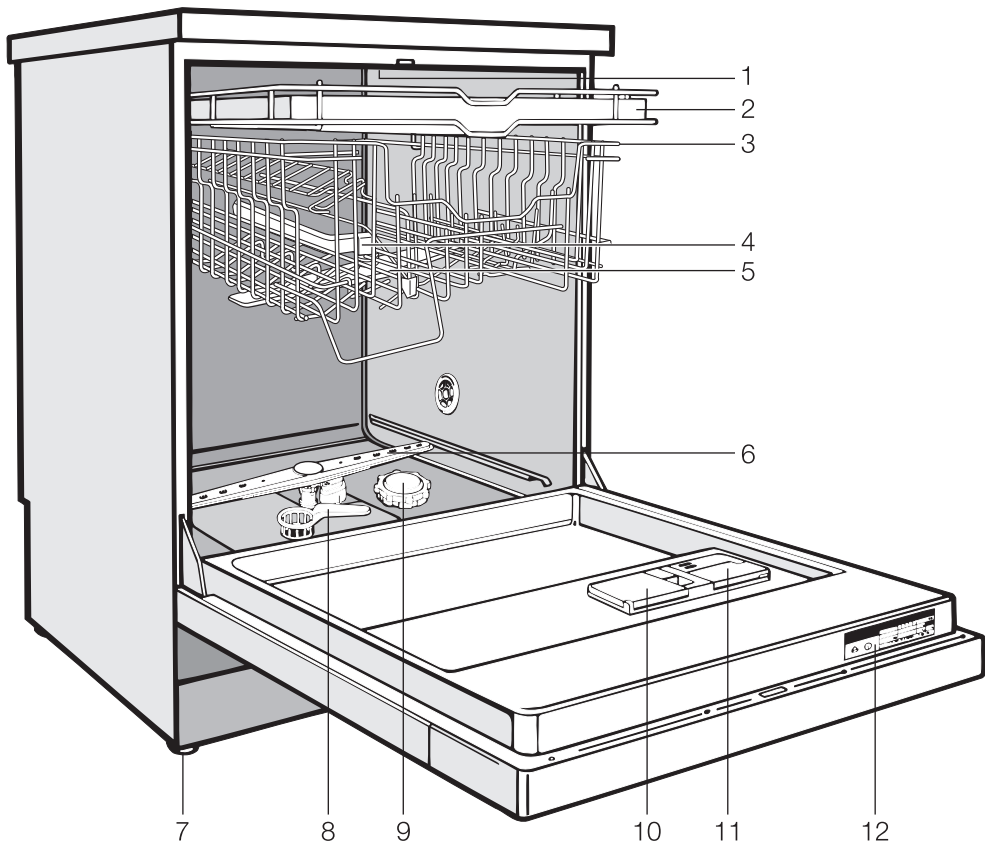
<b>Description of the appliance</b> . . . . .	4
Appliance overview . . . . .	4
Control panel . . . . .	5
<b>Warning and Safety instructions</b> . . . . .	6
<b>Caring for the environment</b> . . . . .	11
Disposal of the packing material . . . . .	11
Disposal of your old appliance . . . . .	11
Energy saving washing . . . . .	11
<b>Before using for the first time</b> . . . . .	12
Before using the appliance for the first time you require: . . . . .	12
To open the door . . . . .	13
To close the door . . . . .	13
Child safety lock . . . . .	13
Water softener . . . . .	14
Programming the water hardness level . . . . .	15
Checking the programmed water hardness level. . . . .	16
Filling the salt reservoir . . . . .	17
Salt indicator . . . . .	18
Rinse aid . . . . .	19
Adding rinse aid . . . . .	19
Rinse aid indicator . . . . .	20
Setting the rinse aid dosage . . . . .	21
<b>Loading the dishwasher</b> . . . . .	22
Upper basket . . . . .	23
Flap up rack . . . . .	23
Positioning rail. . . . .	23
Adjusting the upper basket . . . . .	24
Lower basket . . . . .	25
Hinged spikes. . . . .	25
Removable spiked insert . . . . .	26
Bottle holder . . . . .	26
Cutlery . . . . .	27
Dishwashers with a cutlery basket . . . . .	27
Dishwashers with a cutlery tray (SC) . . . . .	29
Items not suitable for dishwashers: . . . . .	30

<b>Operating the dishwasher</b> . . . . .	31
Detergent . . . . .	31
Adding detergent . . . . .	32
Programme selection . . . . .	33
Switching on . . . . .	34
Starting a programme . . . . .	34
Programme sequence indicator lights . . . . .	34
At the end of a programme . . . . .	35
Switching off . . . . .	35
Interrupting a programme . . . . .	36
Changing a programme . . . . .	36
Additional option . . . . .	37
Drying fan running time . . . . .	37
Unloading the dishwasher . . . . .	38
<b>Cleaning and care</b> . . . . .	39
Cleaning the filters in the wash cabinet . . . . .	39
Cleaning the spray arms . . . . .	41
Cleaning the wash cabinet . . . . .	42
Cleaning the door and the door seal . . . . .	42
Cleaning the control panel and door front panel . . . . .	42
<b>Problem solving guide</b> . . . . .	44
<b>Solving problems</b> . . . . .	53
Cleaning the water inlet filter . . . . .	53
Cleaning the drain pump and non-return valve . . . . .	54
<b>After sales service</b> . . . . .	56
<b>Comparison tests</b> . . . . .	57
<b>Optional accessories</b> . . . . .	59
<b>Programme chart</b> . . . . .	60

# Description of the appliance

---

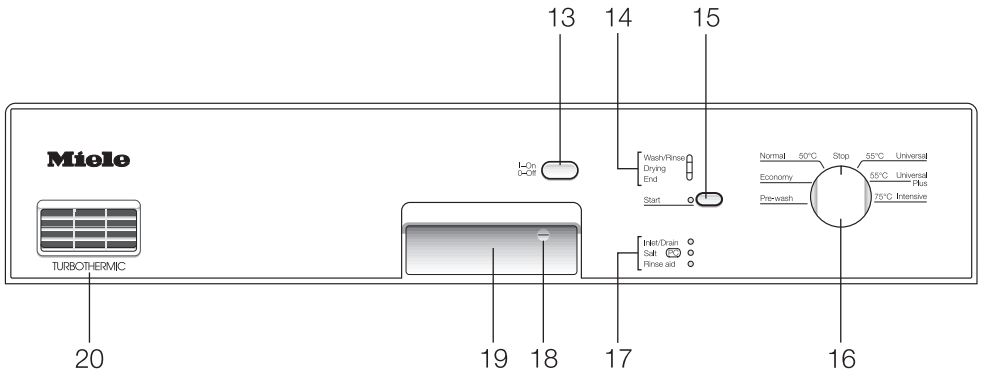
## Appliance overview



- |   |                                      |    |   |
|---|--------------------------------------|----|---|
| 1 | Upper spray arm (not visible)        | 7  | Four height adjustable screw feet             |
| 2 | Cutlery tray<br>(depending on model) | 8  | Filter combination                            |
| 3 | Upper basket                         | 9  | Salt reservoir                                |
| 4 | Water feed for middle spray arm      | 10 | Dual compartment detergent<br>dispenser       |
| 5 | Middle spray arm                     | 11 | Rinse aid reservoir<br>(with dosage selector) |
| 6 | Lower spray arm                      | 12 | Data Plate                                    |

# Description of the appliance

## Control panel



13 "On/Off" button

14 Programme sequence display

15 "Start" button

16 Programme selector

17 Check/Refill indicators

18 Child safety lock

19 Door release

20 Ventilation outlet for drying fan

# Warning and Safety instructions

---

This appliance conforms to current safety requirements. Inappropriate use can, however, lead to personal injury and damage to property. To avoid the risk of accidents and damage to the appliance, please read these instructions carefully before using it for the first time. They contain important information on its safety, use and maintenance. Keep these instructions in a safe place and pass them on to any future owner.

## Correct application

■ This dishwasher is intended exclusively for cleaning domestic crockery and cutlery in a domestic household. Using it for purposes other than those for which it was designed, as well as any alterations or conversions to the appliance, would be unauthorised and could cause harm. The manufacturer cannot be held liable for damage resulting from improper or incorrect use of the appliance.

■ This appliance is not intended for use by persons (including children) with reduced physical, sensory or mental capabilities, or lack of experience and knowledge, unless they have been given supervision or instruction concerning use of the appliance by a person responsible for their safety.

## Safety with children

■ This appliance is not a toy! To avoid the risk of injury, keep children well away and do not allow them to play in or around the dishwasher, or to use the controls. They will not understand the potential dangers posed by it. They should be supervised whenever you are working in the kitchen. There is also a danger that children playing might shut themselves in the dishwasher.

■ Older children may only use the appliance if its operation has been clearly explained to them and they are able to use it safely, recognising the dangers of misuse.

■ Keep children away from detergents. Dishwasher detergents contain irritant and corrosive ingredients which can cause burning in the mouth, nose and throat if swallowed, or inhibit breathing. Keep children away from the dishwasher when the door is open. There could still be detergent residues in the cabinet. Consult a doctor immediately if your child has swallowed or inhaled detergent.

# Warning and Safety instructions

---

## Technical safety

■ Before setting up the appliance, check it for any externally visible damage. Under no circumstances should you use a damaged appliance. A damaged appliance could be dangerous.

■ The dishwasher must only be plugged into the electricity supply via a suitable switched socket. The electrical socket must be easily accessible after the dishwasher is installed so that it can be disconnected from the electricity supply at any time. (See "Electrical connection").

■ There must be no electrical sockets behind the dishwasher. Danger of overheating and fire risk if the dishwasher were to be pushed up against a plug.

■ The dishwasher must not be installed under a hob. The high radiant temperatures which are sometimes generated by a hob could damage the dishwasher. For the same reason it should not be installed next to open fires or other appliances which give off heat, such as heaters etc.

■ Do not connect the dishwasher to the mains supply until it has been fully installed.

■ Before connecting the appliance, check that the connection data on the data plate (voltage and connected load) match the mains electricity supply. If in any doubt, consult a qualified electrician.

■ The electrical safety of this appliance can only be guaranteed when continuity is complete between it and an effective earthing system. It is most important that this basic safety requirement is present and regularly tested and where there is any doubt the electrical system in the house should be checked by a qualified electrician. The manufacturer cannot be held liable for the consequences of an inadequate earthing system (e.g. electric shock).

■ This equipment may only be installed in mobile installations such as ships if a risk assessment of the installation has been carried out by a suitably qualified engineer.

# Warning and Safety instructions

---

■ The plastic housing of the water connection contains an electrical component. The housing must not be dipped in water.

■ There are live wires in the water inlet hose. Never cut the water inlet hose, even if it is too long.

■ Do not connect the appliance to the mains electricity supply by an extension lead. Extension leads do not guarantee the required safety of the appliance (e.g. danger of overheating).

■ The integrated Waterproof System offers protection from water damage, provided the following conditions are met:

- The dishwasher is correctly installed and plumbed in.
- The dishwasher is properly maintained and parts are replaced where it can be seen that this is necessary.
- The stopcock has been turned off when the appliance is not used for a longer period of time (e.g. during holidays).

The Waterproof system will work even if the appliance is switched off. However, the appliance must remain connected to the electricity supply.

■ A damaged dishwasher may be dangerous. If the dishwasher gets damaged, switch it off at the mains and call your Miele Dealer or the Miele Service Department.

■ Repairs may only be carried out by suitably qualified and competent technicians in strict accordance with local and national safety requirements. Repairs and other work by unqualified persons could be dangerous.

■ Always disconnect the dishwasher from the electrical supply for maintenance work (switch off at the wall socket and remove the plug).

■ If the connection cable is damaged it must be replaced with a Miele cable by a Miele approved service technician only.

■ In countries where there are areas which may be subject to infestation by cockroaches or other vermin, pay particular attention to keeping the appliance and its surroundings in a clean condition at all times. Any damage which may be caused by cockroaches or other vermin will not be covered by the guarantee.



# Warning and Safety instructions

---

## Installation

■ The dishwasher must be installed and connected in compliance with the installation instructions.

■ The dishwasher must be correctly aligned to ensure problem-free operation.

■ In order to ensure stability, built-under and integrated dishwashers must only be installed under a continuous worktop which is secured to adjacent cabinetry.

■ If you want to convert your freestanding dishwasher to a built-under ("U") model, you will need to order the appropriate conversion kit. If you remove the existing plinth, you must replace it with a U-model plinth. This is necessary to avoid the risk of injury caused by protruding metal parts.

## Correct use

■ Do not use solvents in the dishwasher. Danger of explosion.

■ Do not inhale or ingest dishwasher detergent. Dishwasher detergents contain irritant or corrosive ingredients which can cause burning in the nose, mouth and throat if swallowed, or inhibit breathing. Consult a doctor immediately if detergent has been swallowed or inhaled.

■ Avoid leaving the door open unnecessarily, as you could trip over it.

■ Do not sit or lean on the opened door. This could cause the dishwasher to tip and be damaged, and you could get injured.

■ Only use detergent and rinse aid formulated for domestic dishwashers. Do not use washing-up liquid.

■ Do not use commercial or industrial detergents as these may cause damage, and there is a risk of severe chemical reaction.

■ Do not fill the rinse aid reservoir with powder or liquid detergent. This will cause serious damage to the reservoir.

# Warning and Safety instructions

---

■ Inadvertently filling the salt reservoir with powder or liquid dishwasher detergent always leads to serious damage to the water softener. Make sure you have picked up the correct packet of dishwasher salt before filling the salt reservoir!

■ Please only use special coarse grained dishwasher salt for reactivation, as other salts may contain insoluble additives which can impair the functioning of the softener.

■ In an appliance with a cutlery basket (depending on model) cutlery is cleaned and dried more efficiently if placed in the basket with the handles downwards. However, to avoid the risk of injury, place knives and forks etc. with the handles upwards.

■ Plastic items which cannot withstand being washed in hot water, such as disposable plastic containers, or plastic cutlery and crockery should not be cleaned in the dishwasher. The high temperatures in the dishwasher may cause them to melt or lose shape.

■ On models with "Delay start", make sure that the dispenser is dry before adding detergent. Wipe dry if necessary. Detergent will clog if poured into a damp dispenser and may not be thoroughly dispersed.

## Disposal of your old dishwasher

■ When disposing of an old dishwasher, first make it unusable. Disconnect, cut off the cable and the plug from the cable. Make the door lock inoperative, so that children cannot accidentally shut themselves in. Make appropriate arrangements for the disposal of the appliance.

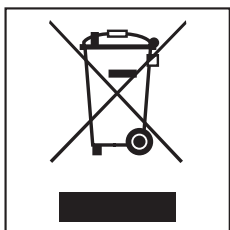
The manufacturer cannot be held liable for damage caused by non-compliance with these Warning and Safety instructions.

## Disposal of the packing material

The transport and protective packing has been selected from materials which are environmentally friendly for disposal and can normally be recycled. Ensure that any plastic wrappings, bags etc. are disposed of safely and kept out of the reach of babies and young children. Danger of suffocation! Rather than just throwing these materials away, please ensure that they are recycled.

## Disposal of your old appliance

Electrical and electronic appliances often contain materials which, if handled or disposed of incorrectly, could be potentially hazardous to human health and to the environment. They are, however, essential for the correct functioning of your appliance. Please do not therefore dispose of your old appliance with your household waste.



Please dispose of it at your local community waste collection / recycling centre and ensure that it presents no danger to children while being stored for disposal.

It should be unplugged or disconnected from the mains electricity supply by a competent person. The plug must be rendered useless and the cable cut off directly behind it to prevent misuse. See the "Warning and Safety" section of this booklet for further details.

## Energy saving washing

This dishwasher is exceptionally economical in its use of water and electricity. You can make the most of your appliance by following these tips:

- If your household water system is suitable, this dishwasher can be connected to a hot water supply, for further economies. If the water is heated by for example, solar panels, this would be energy efficient. However, if your water is heated by electricity we would recommend connection to cold water.
- For most economical dishwashing make full use of the baskets without overloading the dishwasher.
- Choose the programme to suit the type of crockery being washed and the degree of soiling.
- Select the Economy programme for energy-saving dishwashing.
- Follow the detergent manufacturer's recommendations on detergent dosage.
- When using powder or liquid detergent you can use  $\frac{1}{3}$  less detergent if baskets are only half full.

## Before using for the first time

---

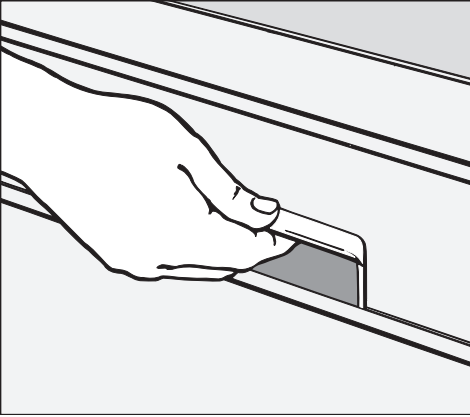
### Before using the appliance for the first time you require:

- approx. 2 litres of water,
- approx. 2 kg dishwasher reactivation salt,
- domestic dishwasher detergent,
- rinse aid formulated for domestic dishwashers.

Every dishwasher is tested at the factory. There will be residual water in the appliance from this test. It is not an indication that it has been previously used.

# Before using for the first time

## To open the door



- Press the release catch inside the door grip and pull forward.

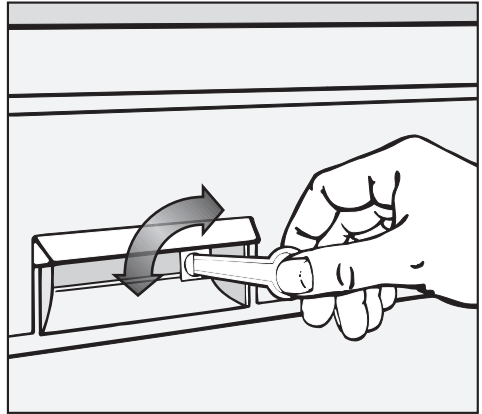
If the door is opened during operation all functions are automatically interrupted.

## To close the door

- Push the baskets right in, lift the door and push until it clicks into position.

## Child safety lock

The yellow key for the child safety lock is on one of the spikes at the front of the upper basket. Remove the key before switching on the dishwasher and keep it in a safe place away from the dishwasher.



To prevent children opening the dishwasher door during operation, use the key to lock the door:



Horizontal setting:  
The door is locked.



Vertical setting:  
The door can be opened.

## Before using for the first time

---

### Water softener

In order to achieve good cleaning results, the dishwasher needs to operate with soft water. Hard water results in the build-up of calcium deposits on crockery and in the dishwasher.

Mains water with a hardness level higher than 0.7 mmol/l (4 °d - German scale) needs to be softened. This takes place automatically in the integrated water softener.

- The water softener must be filled with dishwasher salt for reactivation.
- The dishwasher must be programmed to correspond to the water hardness in your area.
- Your local water authority will be able to advise you of the water hardness level in your area.

Where the water hardness fluctuates e.g. between 1.4 - 3.1 mmol/l (8 - 17 °d German scale) always programme the dishwasher to the higher value (3.1 mmol/l in this example).

In the event of a fault, it will help the service technician if you know the hardness of your local water supply.

- Enter the water hardness below:

\_\_\_\_\_ mmol/l or °d

## Before using for the first time

### Programming the water hardness level

- Switch the dishwasher off using the "On/Off" button.
- Turn the programme selector to the "Stop" position.
- Press the "Start" button in and whilst holding it in switch the dishwasher on using the "On/Off" button. Release the "Start" button within two seconds.

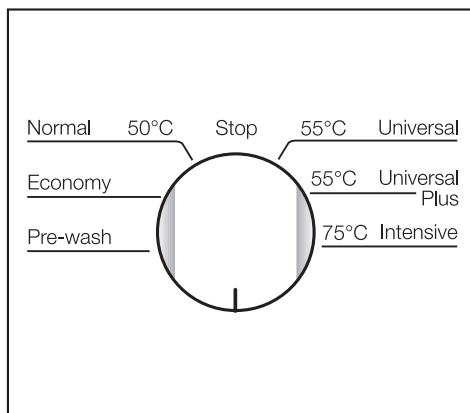
The "Salt" indicator light will flash.

#### Warning:

If a different indicator light comes on or flashes, the process must be repeated.

#### Exception:

The "Rinse aid" indicator light will come on if you have not yet added rinse aid or if rinse aid needs replenishing.



- Turn the programme selector to the position that corresponds to your water hardness level (see chart below).

°d German scale	mmol/l	Programme selector setting
1 - 4	0.2 - 0.7	"1 o'clock" position
5 - 7	0.9 - 1.3	"2 o'clock" position
8 - 10	1.4 - 1.8	"3 o'clock" position
11 - 13	2.0 - 2.3	"4 o'clock" position
<b>14 - 16</b>	<b>2.5 - 2.9</b>	<b>"5 o'clock" position</b>
17 - 22	3.1 - 4.0	"6 o'clock" position
23 - 35	4.1 - 6.3	"7 o'clock" position
36 - 70	6.5 - 12.6	"8 o'clock" position

The dishwasher is set at the factory for a hardness level of 2.5 - 2.9 mmol/l (14 - 16 °d).

#### Example:

For a water hardness of 3.5 mmol/l, turn the programme selector to the "6 o'clock" position.

## Before using for the first time

---

- Press the "Start" button.

The "Start" indicator light will come on.

- Turn the programme selector to the "Stop" position.
- Switch the dishwasher off using the "On/Off" button.

The water hardness level is now stored in memory.

### Checking the programmed water hardness level

- Switch the dishwasher off using the "On/Off" button.
- Turn the programme selector to the "Stop" position.
- Press the "Start" button in and whilst holding it in switch the dishwasher on using the "On/Off" button. Release the "Start" button within two seconds.

The "Salt" indicator light will flash.

### Warning:

If a different indicator light comes on or flashes, the process must be repeated.

### Exception:

The "Rinse aid" indicator light will come on if you have not yet added rinse aid or if rinse aid needs replenishing.

- Click the programme selector from the "1 o'clock" position as far as the "8 o'clock" position.

When the programme selector is at the position which corresponds to the water hardness setting already programmed, the "Start" indicator light will come on (see chart "Programming and setting the water hardness level").

- Turn the programme selector to the "Stop" position.
- Switch the dishwasher off using the "On/Off" button.



## Before using for the first time

### Filling the salt reservoir

If the water in your area is very soft and constantly lower than 0.7 mmol/l (4 °d) you do not need to add dishwasher salt.

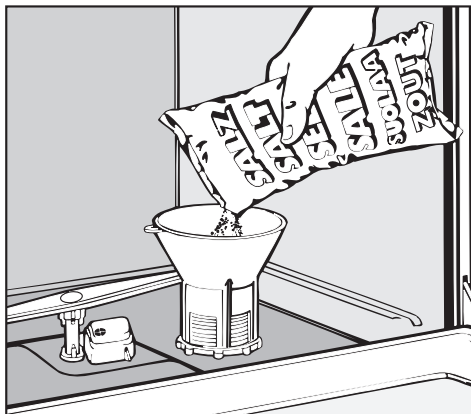
The water softener must, however, still be programmed to correspond to the water hardness level in your area. (The salt indicator light will still come on, but should be ignored).

**Important:** Before filling the salt reservoir with dishwasher salt for the first time, you must fill it with approx. 2 litres of water to enable the salt to dissolve. Once the dishwasher has been used, there is always sufficient water in the reservoir.

**⚠** Inadvertently filling the salt reservoir with powder or liquid dishwasher detergent always leads to serious damage to the water softener. Make sure you have picked up the correct packet of dishwasher salt before filling the salt reservoir!

**⚠** Only use special coarse grained dishwasher salt for reactivation. Do not use other salts such as cooking salt, agricultural grade or gritting salt. These may contain insoluble additives which can impair the functioning of the water softener.

- Remove the lower basket and unscrew the salt reservoir cap.
- Fill the reservoir with approx. 2 litres of water (first use).



- Place the funnel provided over the salt reservoir and carefully fill with salt until the reservoir is full. The salt reservoir holds approx. 2 kg of salt depending on the brand used.

As the salt reservoir is filled, displaced water will overflow.

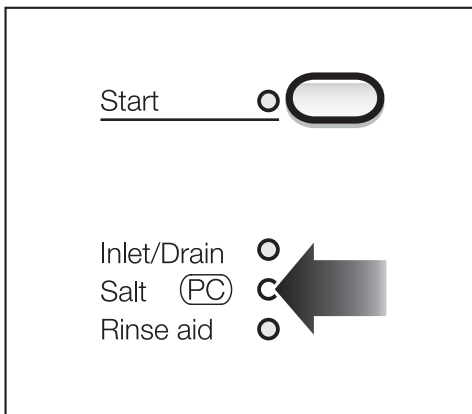
- Clean any excess salt from around the reservoir opening and then screw the cap on again firmly.
- Run the "Pre-wash" programme immediately to remove any traces of salt water from the cabinet.

## Before using for the first time

---

### Salt indicator

The salt indicator light comes on to notify you that the reservoir is empty.



### Note

If the water in your area is very soft and constantly lower than 0.7 mmol (4 °d) you do not need to add salt to the reservoir. The salt indicator light, however, will still come on, but should be ignored.

(See "After sales service" for definition of "PC").


- The reservoir should then be refilled with dishwasher salt for reactivation. (See: Filling the salt reservoir).

After the reservoir has been filled, the water softener is automatically reactivated the next time the dishwasher is run. The salt indicator light may still be illuminated during this process. It will go out once the salt concentration has reached the correct level.

# Before using for the first time

## Rinse aid

Rinse aid is necessary to ensure water does not cling and leave marks on crockery during the drying phase. Rinse aid is poured into the storage reservoir and the amount set is dispensed automatically.

 Inadvertently filling the rinse aid reservoir with powder or liquid dishwasher detergent always causes serious damage to the reservoir. Only pour rinse aid formulated for domestic dishwashers into the reservoir.


Alternatively, it is possible to use

- Household vinegar with a max. 5% acid content

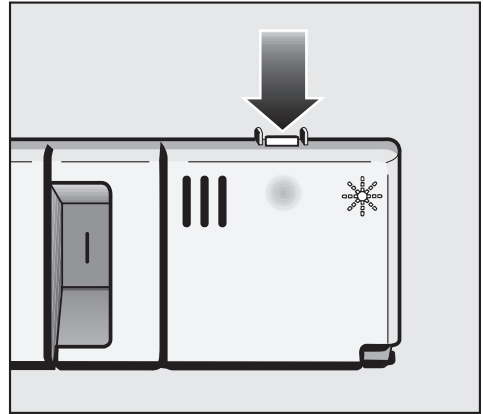
or

- Liquid citric acid up to 10% acid content.

The resulting rinsing and drying quality will not, however, be as good as when rinse aid is used.

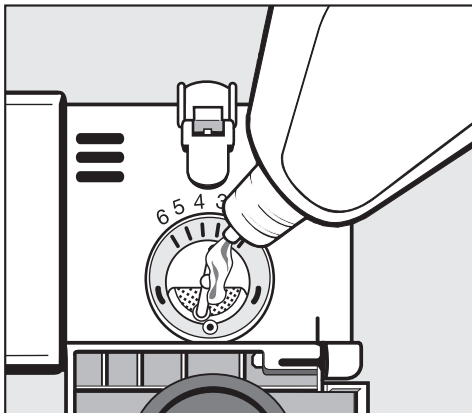
 Do not use vinegar with a higher acid content (e.g. vinegar essence 25% acid). This must not be used as its use would damage the dishwasher.

## Adding rinse aid



- Press the button in the direction of the arrow until the flap springs open.

## Before using for the first time



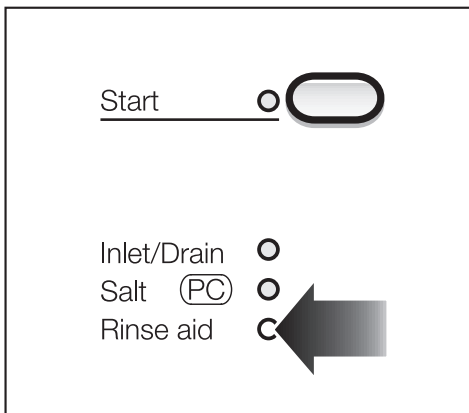
- Add rinse aid only until it is visible on the surface of the filter in the opening.

The rinse aid reservoir holds approx. 130 ml.

- Close the flap firmly so that it clicks into place. Otherwise water would enter the rinse aid reservoir during a programme.
- Wipe up any spilled rinse aid. This prevents over-foaming occurring during the next programme.

## Rinse aid indicator

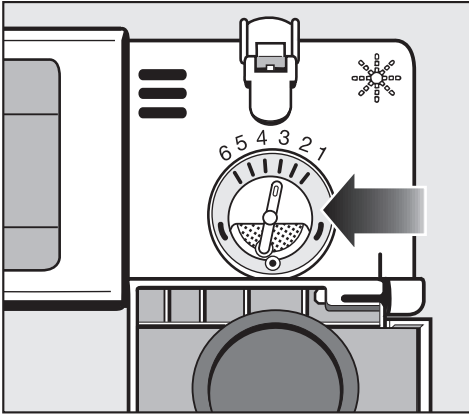
The Rinse aid indicator light on the fascia comes on when the rinse aid reservoir needs to be replenished.



When the light comes on the reservoir still contains sufficient rinse aid for 2 - 3 programmes.

- Add rinse aid in plenty of time.

### Setting the rinse aid dosage



The dosage selector has settings from 1-6. It is set to "3" (3 ml) at the factory. Approx. 3 ml of rinse aid are then used per programme. This is a recommended setting.

If spots appear on crockery and glassware:

- Use a higher setting.

If clouding or smearing appears on crockery and glassware:

- Use a lower setting.


# Loading the dishwasher

---

## Note

- Remove coarse food residues from crockery.

There is no need to rinse items under running water.

 Do not wash items soiled with ash, sand, wax, lubricating grease or paint in the dishwasher. Ash does not dissolve and is distributed in the wash cabinet. Wax, sand, lubricating grease and paint cause damage to the dishwasher.

Crockery can be loaded anywhere in the baskets, but the following notes should be observed:

- Do not place crockery and cutlery inside other pieces where they may be concealed.
- Load the crockery so that water can access all surfaces. This ensures that it is properly cleaned.
- Make sure that all items are securely positioned.
- Hollow items such as cups, glasses, pans, etc. must be inverted in the basket.
- Tall, narrow, hollow items, e.g. champagne glasses, should be placed in the centre of the basket to ensure better water coverage.

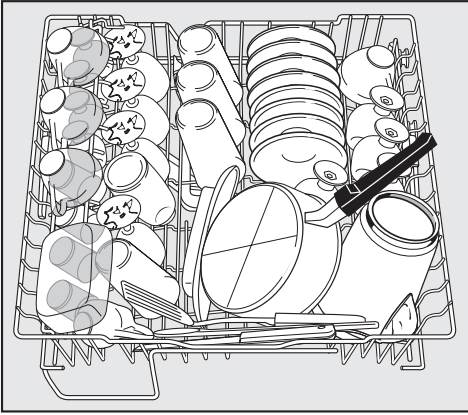
- Deep based items should be placed at an angle so that water can run off them freely.
- The spray arms must not be blocked by items which are too tall or hang through the baskets.  
If in doubt, test for free movement by manually rotating the spray arms.
- Make sure that small items do not fall through the holders in the baskets. Small items, e.g. lids, should therefore be placed in the cutlery tray or cutlery basket.

Some foodstuffs may contain natural dyes, e.g. carrots, tomatoes or ketchup. Plastic items in the dishwasher may discolour if large quantities of these foodstuffs find their way into the appliance on the crockery. The stability of plastic items is not affected by this discolouration.

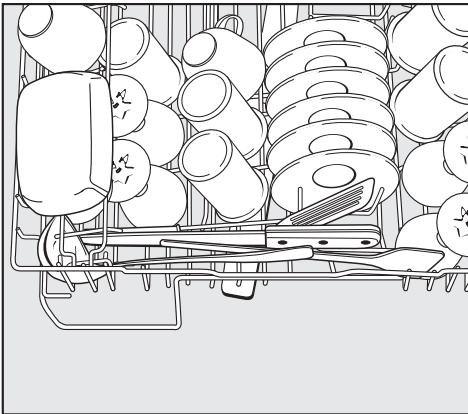
When the dishwasher is being loaded food and drink residue may drip onto the sides of the dishwasher door. These surfaces are outside the wash cabinet and are not accessed by water from the spray arms. Food residue should therefore be wiped away before the dishwasher door is closed.

# Loading the dishwasher

## Upper basket

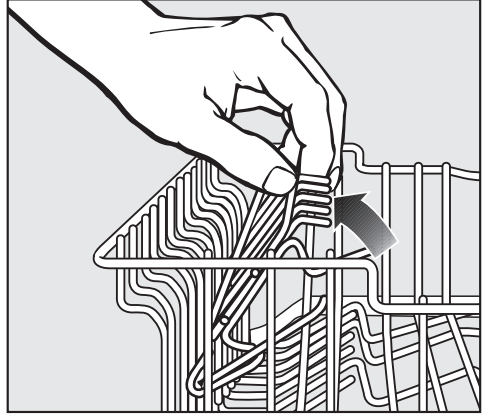


For small, lightweight, delicate items such as cups, saucers, glasses, dessert bowls, etc. Shallow saucepans or casserole dishes can also be placed in the upper basket.



Long items such as soup ladles, mixing spoons and long knives should be placed lying down across the front of the upper basket.

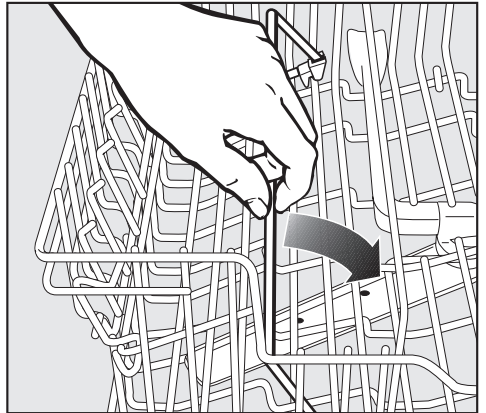
## Flap up rack



To make room for tall items raise the rack upwards.

## Positioning rail

(depending on model)



The positioning rail can be flipped over to the middle of the basket for easy sorting and removing of crockery.

# Loading the dishwasher

## Adjusting the upper basket

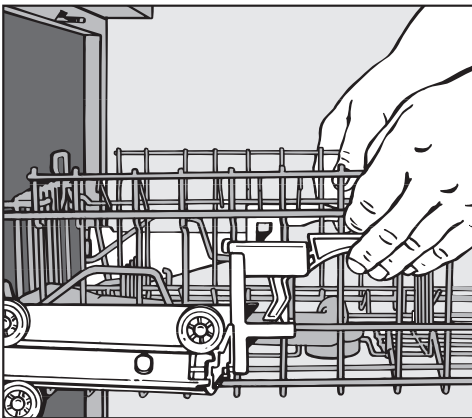
(depending on model)

In order to gain more space for taller pieces of crockery in the bottom or upper basket, the upper basket can be adjusted on three levels with 2 cm between each level.

The upper basket can also be set at an angle with one side high and the other side low. Ensure however, that the basket can be inserted smoothly into the cabinet.

It is best to adjust the basket before loading it.

- Pull out the upper basket.



- Pull upwards on the levers at either side of the upper basket.
- Adjust the basket to the desired height.
- Then push the levers securely back down into position.

Depending on the setting of the upper basket, the following plate dimensions can be accommodated.

## Dishwashers with cutlery tray

Upper basket level	Plate Ø in cm	
	Upper basket	Lower basket
Top	15	30
Middle	17	28
Bottom	19	26

## Dishwashers with cutlery basket

without adjustment to upper basket

Plate Ø in upper basket: 23 cm

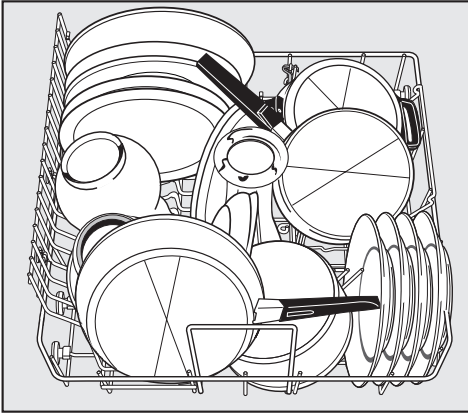
Plate Ø in lower basket: 28 cm



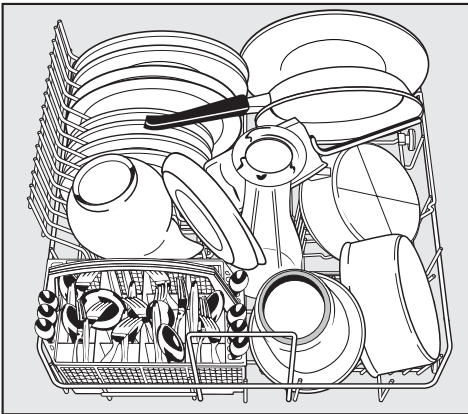
# Loading the dishwasher

## Lower basket

- For larger and heavier items such as plates, serving platters, saucepans, bowls, etc.  
Small items such as saucers can also be placed in the lower basket.  
Do not place thin, delicate glassware in the lower basket.



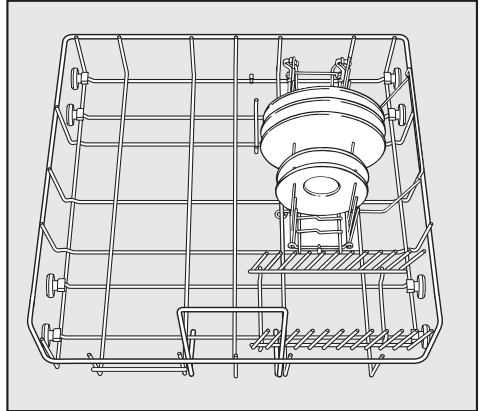
## Dishwashers with cutlery tray



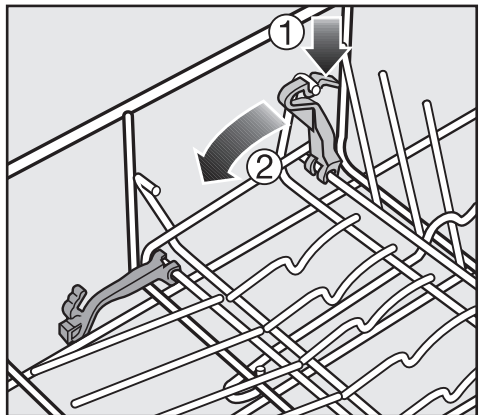
## Dishwashers with cutlery basket

## Hinged spikes

The spikes are used for washing plates and saucers.



Both rows of spikes at the back can be lowered to make more room for large items, e.g. pots, pans and dishes.

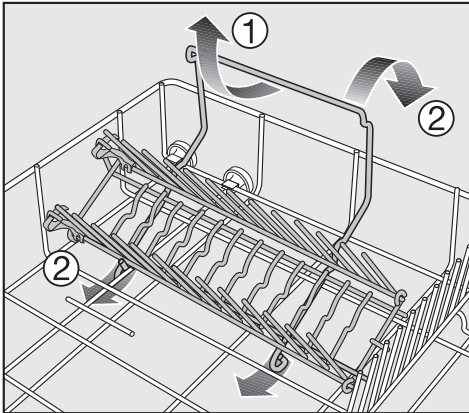


- Press the yellow lever downwards ①, and then lower the spikes ②.

# Loading the dishwasher

## Removable spiked insert

You can remove the spiked insert to make more room for larger items of crockery, e.g. a large, flat pot, or another type of insert.



### To remove the insert ①

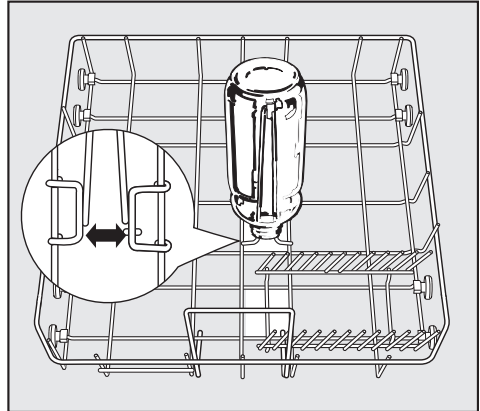
- Pull it upwards by the handle as shown.

### To replace the insert ②

- Fit the insert into the lower basket with the hooks going under the long cross-piece as illustrated.
- Press down on the handle until the insert is held securely in position.

## Bottle holder (depending on model)

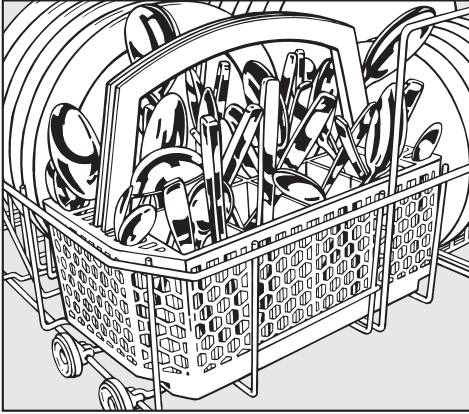
The bottle holder can be used to wash narrow items, e.g. milk and baby bottles.



- Place the bottle holder in the position shown in the bottom basket. If placed anywhere else, water will not be able to access the bottle properly, and cleaning results will be impaired.

## Cutlery

### Dishwashers with a cutlery basket



⚠ However, to avoid the risk of injury cutlery with sharp points should be placed with the handles upwards.

- Unsorted cutlery should be placed in the cutlery basket with the handles facing downwards to ensure optimum spray water access.

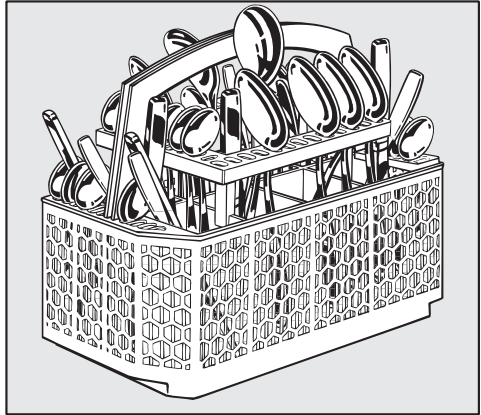
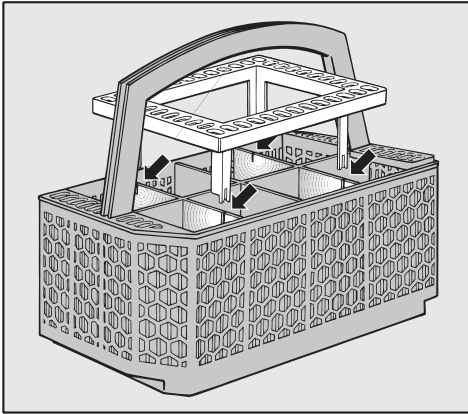
- Place small spoons in the individual slots to either side of the cutlery basket.

# Loading the dishwasher

## Cutlery insert for the cutlery basket

Use the insert supplied for heavily soiled spoons and forks.

The insert separates the items so that they can be more easily accessed by water.

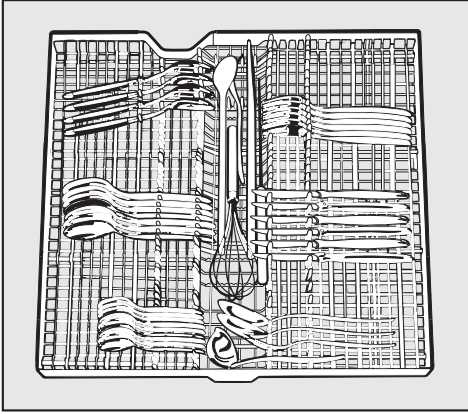


- Insert cutlery with the handles facing downwards, and distribute them evenly along the insert.

- Fit it into the cutlery basket if required.

# Loading the dishwasher

## Dishwashers with a cutlery tray (SC)

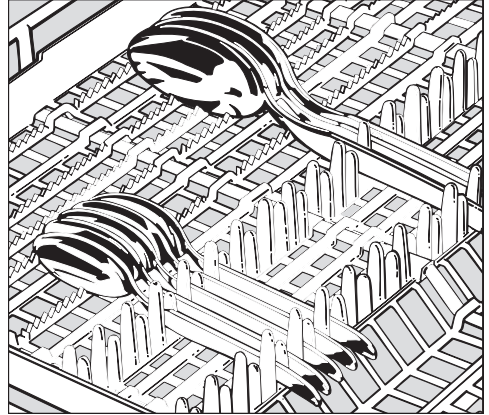


For best results cutlery should be grouped in zones, one for knives, one for forks, one for spoons, etc. This makes unloading much easier.

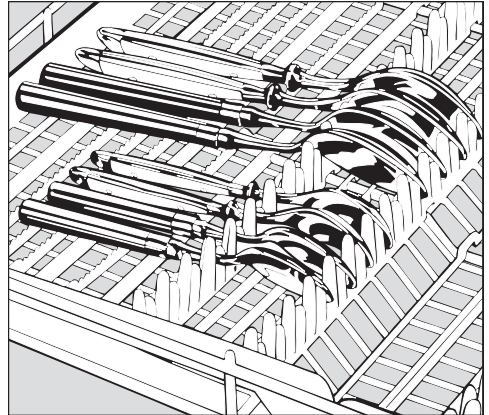
Place the blades of knives and the prongs of forks between the holders. Spoons, on the other hand, should be placed with the handles between the holders.

Longer items such as soup ladles, cake slices, mixing spoons and long knives should be placed lengthwise in the indentation in the middle of the cutlery tray.

The upper spray arm must not be blocked by items which are too big (e.g. cake slices).



Spoon heads should be placed in contact with at least one of the serrated retainers on the base of the cutlery tray to ensure that water runs off them freely.



If spoon handles do not fit between the holders then lay them the other way round making sure that the head of the spoon is in contact with the support on the bottom of the tray.

# Loading the dishwasher

---

## Items not suitable for dishwashers:

- Wooden cutlery and crockery or items with wooden parts: these may discolour and fade. The glue used in these items is not dishwasher-proof and wooden handles may come loose after being washed in a dishwasher.
- Craft items, antiques, valuable vases and decorative glassware are also not suitable for dishwashers.
- Plastic items which are not heat resistant. The high temperatures in the dishwasher may cause them to melt or lose shape.
- Copper, brass, tin and aluminium items may discolour or become matt.
- Colours painted over a glaze may fade after a number of washes.
- Clouding may occur on glasses after frequent washing. Do not wash glassware containing lead crystal in a dishwasher.


## We recommend:

- When purchasing new crockery and cutlery, make sure they are dishwasher-proof.
- There are no standard guidelines for washing glassware. When in doubt, wash glassware by hand.
- If delicate glassware is washed in the dishwasher ensure that only very low temperatures are used (see programme chart). This will reduce the risk of clouding.


## Please note

Silverware previously cleaned with a silver polish may still be damp or spotted at the end of a programme, where water has not run off smoothly. It may need rubbing dry with a soft cloth. Silver treated in a silver immersion dip is usually dry at the end of a programme but may discolour.

Silver which has been in contact with foods containing sulphur can discolour. These include egg yolk, onions, mayonnaise, mustard, pulses, fish, fish brine and marinades.

 Aluminium components (e.g. a grease filter) must not be cleaned with caustic alkaline commercial or industrial cleaning agents. These may damage material, or in extreme cases, cause severe chemical reaction. See section "Adding detergent" for information on suitable detergents.

## Detergent

 Only use detergents formulated for domestic dishwashers. Do not use washing up liquid.

- You can use conventional powder detergent, tablets or liquid dishwasher detergent. Refer to the dosing instructions given by the manufacturer on the packaging.
- Put powder or liquid detergent into the dispenser compartment.
- Detergent tablets should only be put into compartment II if this is recommended by the manufacturer. If the manufacturer recommends inserting tablets in the cutlery basket do not do so. Instead place them on the inside of the door or directly into the wash cabinet to help them dissolve properly.

Detergent manufacturers give the required amount of detergent for a particular programme on their packaging.


- Use at least 30 ml of detergent for a full load in the following programmes:
  - Intensive,
  - Universal plus,
  - Universal,
  - Normal,
  - Economy.If the manufacturer recommends a larger amount of detergent, use the amount recommended.

Failure to dispense the recommended amount of detergent may impair cleaning results.

If you are using 2 in 1 or 3 in 1 combination tablets, please continue to replenish the salt and rinse aid reservoirs as described in this booklet. Otherwise the cleaning and drying performance of the machine may deteriorate over time.

# Operating the dishwasher

## Adding detergent

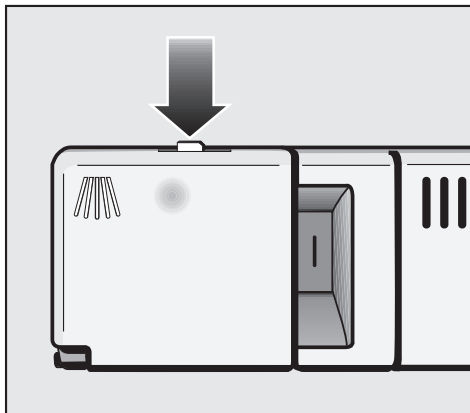
 Avoid inhalation of powder detergents and do not ingest dishwasher detergent! Dishwasher detergents contain irritant or corrosive ingredients. They can cause burning in the nose, mouth and throat if swallowed, or inhibit breathing. Consult a doctor immediately if detergent has been swallowed or inhaled. Keep children away from detergents and from the dishwasher when the door is open. There could still be detergent residues in the cabinet. To avoid the danger of children coming into contact with the dishwasher detergent only add detergent just before starting the programme and close the door, activating the child safety lock.

It is essential to follow the instructions given in the programme chart at the end of the operating instructions.

### For information

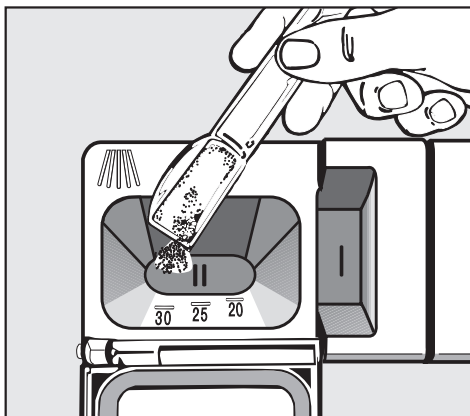
Compartment I holds max. 20 ml,  
Compartment II holds max. 70 ml.

There are markings in compartment II to assist with dispensing. The marks indicate a level of approx. 20, 25, 30 ml when the door is open in a horizontal position.



- Press the opening catch on the detergent dispenser. The flap will spring open.

The flap is always open at the end of a programme.



- Add the required amount of detergent and close the flap.
- Ensure that the detergent package is properly sealed after use. Otherwise the detergent can lose its effectiveness.



## Programme selection

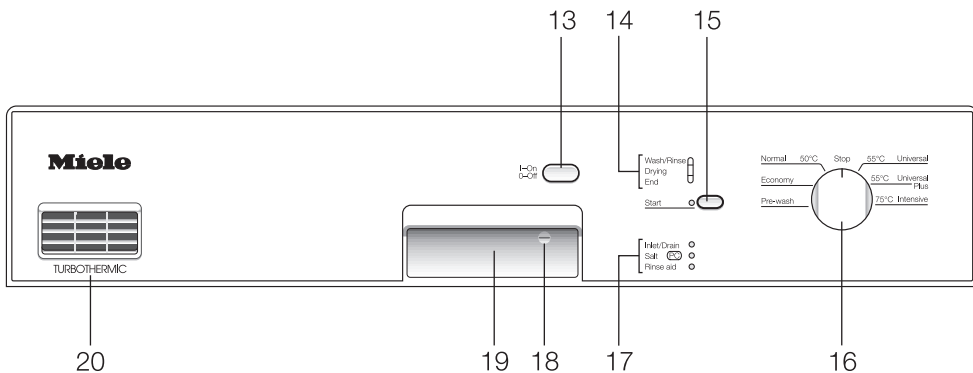
Choose your programme according to the type of load and how dirty it is.

In most cases this will be a Universal programme or a Universal plus programme.

These programmes are ideally suited to everyday mixed loads with varying degrees of soiling.

The different programmes and their uses are described in the **programme chart** at the end of this booklet.

# Operating the dishwasher



## Switching on

- Make sure the spray arms are not obstructed.
- Close the door.
- Open the stopcock, if it is closed.
- Press the "On/Off" button (13).

The "Start" indicator light (15) will flash.

## Starting a programme

- When selecting a programme, refer to the programme chart at the end of the operating instructions.
- Turn the programme selector (16) clockwise or anti-clockwise to the required programme.
- Press the "Start" button (15).

The programme cycle begins. The "Start" (15) and "Wash/Rinse" (14) indicator lights come on.

Do not finish a programme prematurely. Important programme stages (e. g. reactivating the water softener) could be omitted.

## Programme sequence indicator lights (14)

The "Wash/Rinse" indicator light comes on in the pre-wash, main wash, interim rinse and final rinse stages of a programme.

The "Drying" indicator light comes on during the drying stage of a programme.

The "End" indicator light comes on when the programme has finished.

## At the end of a programme

A programme has finished when the "End" indicator light comes on in the programme sequence display (14).

The dishwasher can now be opened and unloaded (see "Unloading the dishwasher").

For safety's sake it is advisable to always switch the dishwasher off if you do not wish to start another programme immediately.

## Switching off

At the end of a programme:

- Turn the programme selector (16) to the "Stop" position.

The "End" indicator light (14) goes out and the "Start" indicator light (15) flashes.

- Press the "On/Off" button (13).

The "Start" indicator light (15) goes out.

The dishwasher continues to use electricity until switched off using the "On/Off" button.

If the dishwasher is not to be used for a longer period of time, e. g. whilst on holiday, the stopcock should be turned off.


# Operating the dishwasher

---

## Interrupting a programme

A programme is interrupted as soon as the door is opened.

If the door is closed again, the programme will continue from the point it was at before the door was opened.

 Water in the dishwasher may be hot. Danger of scalding!  
Only open the door if absolutely necessary and exercise extreme caution when doing so. Before closing the door again, leave it ajar for approx. 20 secs. This will enable the temperature in the wash cabinet to settle. Close the door firmly making sure that it clicks into place.

## Changing a programme

Important:

If the detergent dispenser flap has already opened, do not change the programme.

If a programme has already started and you wish to change it proceed as follows:

- Turn the programme selector (16) to the "Stop" position.
- Leave the programme selector (16) in this position for at least one second.
- Then turn the programme selector (16) to the programme you wish to use.
- Press the "Start" button (15).

The programme cycle begins.

## Additional option

### Drying fan running time

During the drying phase, as long as the door of the dishwasher remains closed, moist air is expelled through the ventilation outlet for the drying fan. The drying fan running time can be increased to avoid the risk of damage to a worktop fitted above the dishwasher. If this option is selected, the fan will continue to run for approx. 14 minutes after the end of a programme.

### Activating and deactivating increased drying fan running time:

- Switch the dishwasher off using the "On/Off" button.
- Turn the programme selector to the "Stop" position.
- Press the "Start" button in and whilst holding it in switch the dishwasher on using the "On/Off" button. Release the "Start" button within two seconds.

The "Salt" indicator light will flash.

### Warning:

If a different indicator light comes on or flashes, the process must be repeated.

### Exception:

The "Rinse aid" indicator light will come on if you have not yet added rinse aid or if rinse aid needs replenishing.

- Turn the programme selector to the "9 o'clock" position.
  - If the "Start" indicator light does not come on:  
the fan running time is not increased,
  - If the "Start" indicator light does come on:  
the fan running time is increased.
- Press the "Start" button to change the setting.

Depending on the previous setting the "Start" indicator light will either come on or go out.

- Turn the programme selector to the "Stop" position.
- Switch the dishwasher off using the "On/Off" button.

The change is now stored in memory.

# Operating the dishwasher

---


## Unloading the dishwasher

- Dishes tend to break and chip more easily when they are hot. Allow the dishes to cool until they are comfortable enough to handle before unloading them.
- If you open the door fully after switching off, the dishes will cool much faster.
- First unload the lower basket, then the upper basket and finally the cutlery tray (depending on model). This will prevent water drops from the upper basket and cutlery tray from falling onto the dishes in the lower basket.

Check your dishwasher regularly (approx. every 4 - 6 months). This way faults and problems can be avoided.

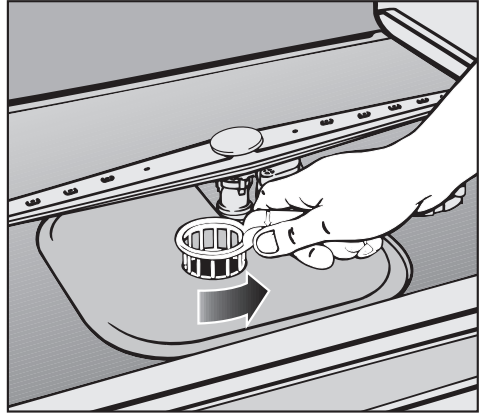
### Cleaning the filters in the wash cabinet

The filter combination in the base of the wash cabinet retains coarse soil from the suds solution, preventing it accessing the circulation system and re-entering the cabinet through the spray arms.

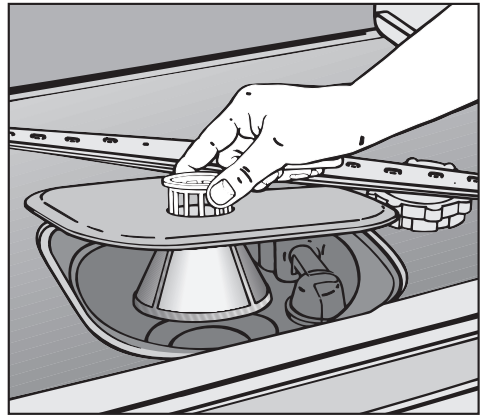
 The dishwasher must not be used without all the filters in place.

Collection of coarse soil may cause the filters to clog. Check the filter combination regularly (every 4 - 6 months) and clean if necessary.

- Switch the dishwasher off beforehand.

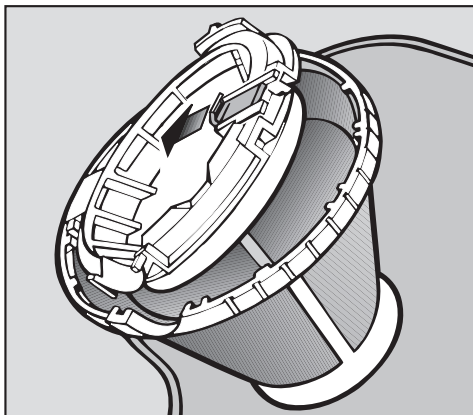


- Turn the handle anti-clockwise to release the filter combination.



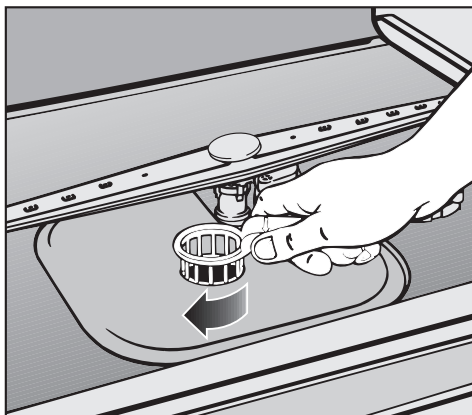
- Lift the filter combination out of the dishwasher. Remove any coarse particles and rinse the filter under running water. Use a nylon brush if necessary.

## Cleaning and care




To clean the underside of the filter, the flap must be opened:

- Pull back the yellow clip to do this.
- Rinse all parts under running water, using a nylon brush if necessary.
- Then close the flap so that the clip engages. Important: After cleaning make sure that the clip has properly engaged.



- Replace the filter combination so that it lies flat in the base of the wash cabinet.
- Secure the filter by turning the handle in a clockwise direction.

 Take care when you are fitting the filter combination that it is secured in position correctly. Otherwise coarse soil could get into the circulation system and cause a blockage.



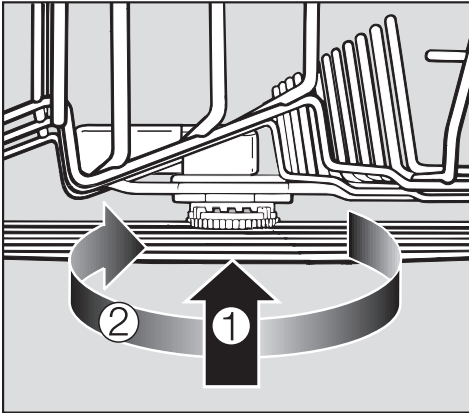
## Cleaning the spray arms

Particles of food can get stuck in the spray arm jets and bearings. The spray arms should therefore be inspected and cleaned regularly (approx. every 4 - 6 months).

- Switch the dishwasher off beforehand.

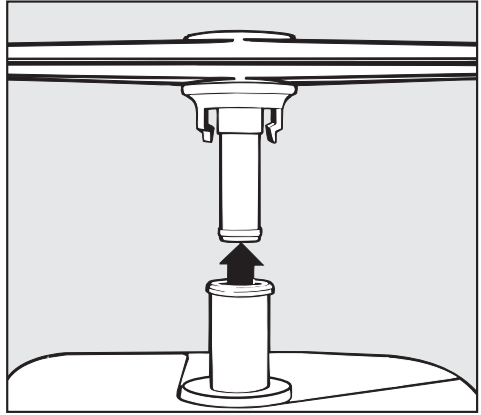
Remove the spray arms as follows:

- Take out the cutlery tray (if your dishwasher is fitted with one).
- Press the top spray arm upwards to engage the inner ratchet. Then unscrew the spray arm.

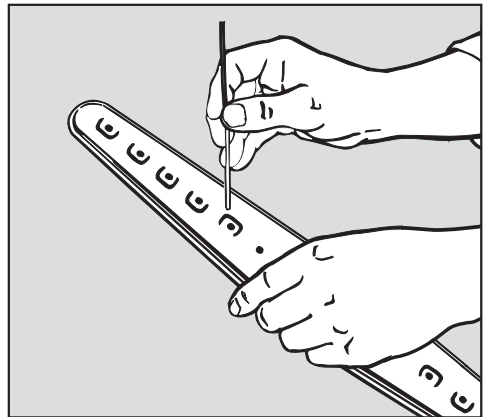


- Lift up the middle spray arm ① to engage the ratchet. Then unscrew the spray arm ②.

- Remove the lower basket.



- Pull the lower spray arm firmly upwards to remove it.



- Use a pointed object to push food particles into the spray arm jets.
- Rinse thoroughly under running water.
- Replace the spray arms and check that they rotate freely.

# Cleaning and care

---

## Cleaning the wash cabinet

The wash cabinet is largely self-cleaning, provided that the correct amount of detergent is always used.

If, however, there are limescale or grease deposits in the cabinet these can be removed with a proprietary dishwasher cleaner.


## Cleaning the door and the door seal

- Wipe the door seals regularly with a damp cloth to remove food deposits.
- When the dishwasher is being loaded food and drink residue may drip onto the sides of the dishwasher door. These surfaces are outside the wash cabinet and are not accessed by water from the spray arms. Any soiling should be wiped off these surfaces before the door is closed.

## Cleaning the control panel and door front panel

### Plastic panels:

- This type of panel should only be wiped with a damp cloth or suitable cleaning agent designed for use on plastic.

 Do not use abrasive cleaning agents, glass cleaning agents or all-purpose cleaners. Because of their chemical composition they could cause serious damage to plastic surfaces.

### Stainless steel panels:


- Clean using a damp cloth and a little washing-up liquid or with a proprietary non-abrasive cleaning agent designed specifically for use on stainless steel. To help prevent re-soiling (finger prints etc.), a proprietary conditioning agent for stainless steel can also be used. Apply sparingly with an even pressure following the direction of the grain.

### Aluminium panels:

Aluminium is affected by the way that light falls on it, by the surrounding environment and by the angle you observe it from.


Aluminium is susceptible to scratching and abrasion and must be treated with due care.

- Soiling should be removed as soon as possible using a damp cloth and a little washing-up liquid.

 Stainless steel and aluminium surfaces and controls may suffer discolouration or damage if soiling is left on them for too long. Soiling should therefore be removed as soon as possible, taking care not to scratch or damage the surface material.

### Wood door front panels:

- Door fronts made from wood should only be cleaned using a damp chamois leather and then dried with a soft cloth.

 Do not use any cleaning agents containing ammonia or thinners. These would damage the surface structure.

### **E-Cloth:**


A microfibre "E-Cloth" is available from the Miele UK Spare Parts Department, Part number 98013530, which is suitable for cleaning surfaces such as stainless steel, glass, plastic and chrome without the use of chemicals.

## Problem solving guide

---

With the aid of the following guide, minor problems can be easily corrected without calling in a Miele service technician, saving you both time and money.

You should, however, note the following:

 Repairs should only be carried out by a suitably qualified and trained person in accordance with local and national safety regulations. Unauthorised or incorrect repairs could cause personal injury or damage the appliance.

<b>Problem</b>	<b>Possible cause</b>	<b>Remedy</b>
<b>The "Start" indicator light does not flash after the appliance has been switched on with the "On/Off" button.</b>	The door is not properly closed.	Close the door firmly.
	The appliance is not plugged in.	Insert the plug.
	The fuse is defective or has tripped.	Replace the fuse (see data plate for minimum fuse rating).
<b>The dishwasher does not start after the "Start" button has been pressed; the "Start" indicator light is flashing.</b>	The programme selector is at the "Stop" position.	<ul style="list-style-type: none"><li>– Turn the programme selector to the required programme.</li><li>– Press the "Start" button.</li></ul>
<b>The dishwasher stops during a programme.</b>	The fuse is defective or has tripped.	Replace the fuse (see data plate for minimum fuse rating).

## Problem solving guide

<b>Problem</b>	<b>Possible cause</b>	<b>Remedy</b>
<b>The indicator light "Inlet/Drain" lights up and flashes alternately.</b>	The stopcock is closed.	Open the stopcock fully.
	The water inlet filter is blocked.	Before rectifying the problem you must: <ul style="list-style-type: none"><li>– Turn the programme selector to the "Stop" position.</li><li>– Switch the dishwasher off using the "On/Off" button.</li></ul> then: <ul style="list-style-type: none"><li>– Clean the water inlet filter, see "Solving problems".</li></ul>
	The Waterproof system has reacted.	Call the Miele Service Department.

# Problem solving guide

Problem	Possible cause	Remedy
<b>The indicator light "Inlet/Drain" is flashing and the programme does not continue.</b>		Before rectifying the problem you must: <ul style="list-style-type: none"><li>– Turn the programme selector to the "Stop" position.</li><li>– Switch the dishwasher off using the "On/Off" button.</li></ul>
	Water intake is restricted.	<ul style="list-style-type: none"><li>– Open the stopcock fully.</li><li>– Check the water inlet filter and clean if necessary, see "Cleaning the water inlet filter".</li><li>– The water pressure at the intake is lower than 0.3 bar. Seek professional advice.</li></ul>
	Water outlet is restricted, water remains in the wash cabinet at the end of a programme.	<ul style="list-style-type: none"><li>– Clean the filter combination, see "Cleaning and Care".</li><li>– Clean the drain pump, see "Cleaning the drain pump and non-return valve".</li><li>– Clean the non-return valve, see "Cleaning the drain pump and non-return valve".</li><li>– Remove any kink in the drain hose.</li></ul>

## Problem solving guide

Problem	Possible cause	Remedy
<b>The "End" and "Start" indicator lights flash simultaneously at the end of a programme.</b>	There may be a technical fault.	<ul style="list-style-type: none"><li>– Turn the programme selector to the "Stop" position.</li><li>– Switch the dishwasher off using the "On/Off" button.</li></ul> After a few seconds: <ul style="list-style-type: none"><li>– Switch the dishwasher on using the "On/Off" button.</li><li>– Turn the programme selector to the required programme.</li><li>– Press the "Start" button.</li></ul> If the indicator lights flash again, there is a technical fault. <ul style="list-style-type: none"><li>– Call the Miele Service Department.</li></ul>

## Problem solving guide

<b>Problem</b>	<b>Possible cause</b>	<b>Remedy</b>
<b>Knocking noise in the wash cabinet.</b>	The spray arm is knocking against an item in the basket.	Interrupt the programme, rearrange items which are obstructing the spray arm.
<b>Rattling noise.</b>	Items of crockery are insecure in the wash cabinet.	Interrupt the programme, rearrange the items of crockery.
<b>Knocking noise in the water pipes.</b>	This may be caused by the on-site installation or the cross-section of the piping.	This has no influence on dishwasher function. If in doubt contact a suitably qualified plumber.



## Problem solving guide

<b>Problem</b>	<b>Possible cause</b>	<b>Remedy</b>
<b>The dishes are not clean.</b>	The dishes were not loaded correctly. Dishes were placed inside other pieces, water could not access all surfaces.	See notes in "Loading the dishwasher".
	The outlet of the water intake pipe for the middle spray arm was covered. An insufficient amount of water flowed into the middle spray arm.	Make sure that dishes placed in the rear section of the upper basket do not cover the opening.
	The programme was not powerful enough.	Select a more intensive programme, see "Programme chart" at the end of these operating instructions.
	Not enough detergent was dispensed.	Use more detergent, see "Operating the dishwasher".
	Tall items are blocking the path of the spray arms.	Rearrange the items so that the spray arms can rotate freely.
	The spray arm jets are blocked.	Clean the spray arm jets, see "Cleaning and Care".
	The filter combination in the base of the wash cabinet is not clean or is not correctly fitted. This may cause the spray arm jets to get blocked.	Clean and/or replace the filter combination correctly. Clean the spray arm jets, see "Cleaning and Care".
	The drain pump or non-return valve may be blocked.	Clean the drain pump and the non-return valve, see "Cleaning the drain pump and non-return valve".

## Problem solving guide

<b>Problem</b>	<b>Possible cause</b>	<b>Remedy</b>
<b>Dishes and glasses are not dry or are flecked.</b>	The rinse aid amount may be insufficient or the rinse aid reservoir empty.	Increase the dosage or replenish the reservoir, see "Before using for the first time".
	Crockery was taken out of the cabinet too soon.	Leave it in for longer, see "Operating the dishwasher".
<b>White residue is visible on cutlery and crockery, clouding occurs on glassware; film can be wiped off.</b>	Not enough rinse aid was used.	Increase the dosage, see "Before using for the first time".
	There is no salt in the salt reservoir.	Add dishwasher reactivation salt, see "Before using for the first time".
	The salt reservoir cap has not been screwed on correctly.	Replace it making sure it screws back on correctly.
	The water softener is programmed to a setting which is too low.	Programme a higher setting, see "Before using for the first time".
	Combination dishwasher detergent tablets containing rinse aid and/or salt may have been used. These are unsuitable as long term use can impair the softener unit.	Use a standard liquid, tablet or powder detergent.
<b>Smearing appears on glassware and cutlery, there is a bluish sheen on the surface of glassware; film can be wiped off.</b>	The rinse aid dosage is set too high.	Reduce the dosage, see "Before using for the first time".

## Problem solving guide


<b>Problem</b>	<b>Possible cause</b>	<b>Remedy</b>
<b>Glassware is dull and discoloured; film cannot be wiped off.</b>	Glassware is not dishwasherproof. The surfaces are affected.	There is no remedy. Purchase glassware which is dishwasher-proof.
<b>Tea or lipstick stains have not been completely removed.</b>	The wash temperature of the selected programme was too low.	Select a programme with a higher wash temperature.
	The bleaching effect of the detergent used is too low.	Use a different type of detergent.
<b>Plastic items are discoloured.</b>	Natural dyes e.g. from carrots, tomatoes or ketchup may be the cause. The amount of detergent used or its bleaching effect was not sufficient to deal with natural dyes.	Use more detergent, see "Operating the dishwasher". Discolouration is irreversible.
<b>There are rust stains on cutlery.</b>	The salt reservoir cap has not been screwed on correctly.	Replace it making sure it screws back on correctly.
	The affected items are not corrosion resistant.	There is no remedy. Purchase cutlery which is dishwasher-proof.
	The "Pre-wash" programme was not run after dishwasher salt was added. Traces of salt have got into the wash cycle.	Always run the "Pre-wash" programme after adding dishwasher salt.

## Problem solving guide

<b>Problem</b>	<b>Possible cause</b>	<b>Remedy</b>
<b>The detergent lid cannot be closed properly.</b>	Clogged detergent residue is blocking the catch.	Remove the residue.
<b>Detergent residue is left in the dispenser at the end of a programme.</b>	The dispenser was still damp when detergent was added.	Make sure the dispenser is dry before adding detergent.
<b>Water remains in the wash cabinet at the end of a programme.</b>		Before rectifying the problem you must: <ul style="list-style-type: none"> <li>– Turn the programme selector to the "Stop" position.</li> <li>– Switch the dishwasher off using the "On/Off" button.</li> </ul>
	The filter combination in the wash cabinet is clogged.	Clean the filter combination, see "Cleaning and Care".
	The drain pump or non-return valve may be blocked.	Clean the drain pump and the non-return valve, see "Cleaning the drain pump and non-return valve".
	The drain hose is kinked.	Remove any kink in the drain hose.

### Cleaning the water inlet filter

A filter is incorporated in the screw connection of the valve on the water inlet hose. The filter must be cleaned when dirty, otherwise insufficient water flows into the wash cabinet.

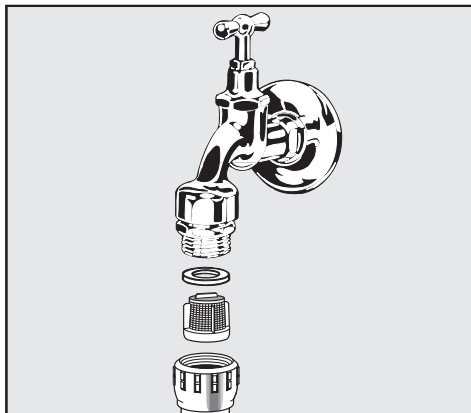
 The plastic housing of the water connection contains an electrical component. It must not be dipped in water.

### Recommendation

If the mains water contains a large number of insoluble substances, we recommend fitting a large-area filter in the connection between the stopcock and the water inlet hose threaded union. This filter is available from the Miele Spares Dept.

### Cleaning the filter:

- Disconnect the dishwasher from the mains supply (switch off at the mains socket, pull out the plug, switch off the appropriate circuit at the fuse box or withdraw the mains fuse).
- Turn off the stopcock.
- Unscrew the inlet hose.



- Carefully remove the rubber seal.
- Withdraw the filter using pointed pliers and rinse clean under running water.
- Replace the filter and seal, making sure they are sitting correctly.
- Reconnect the inlet hose to the stopcock, making sure it goes on correctly and is not cross-threaded.
- Turn on the stopcock gradually to test for leaks. If there is a leak, the inlet hose might not be on securely, or it may have been screwed on at an angle. Unscrew and reconnect the water inlet valve correctly.

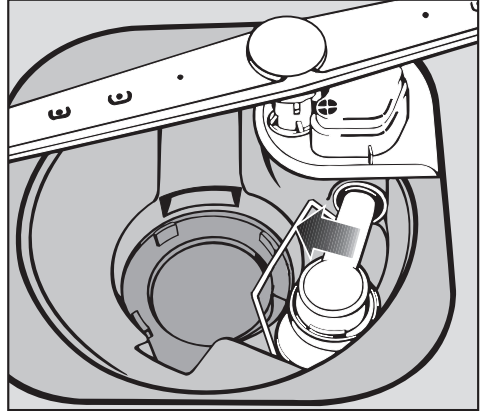
## Solving problems

---

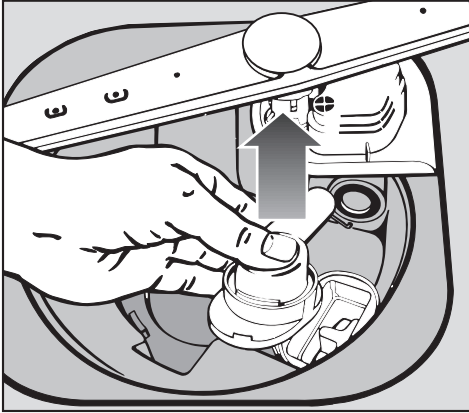
### Cleaning the drain pump and non-return valve

If the water has not been pumped away at the end of a programme the drain pump or the non-return valve might be blocked. They are, however, easy to clean. Watch out for glass or bone splinters which could cause injury.

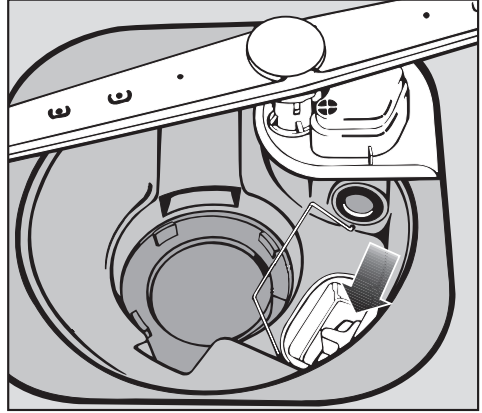
- Take the filter combination out of the wash cabinet (see "Cleaning and care", "Cleaning the filters in the wash cabinet").
- Scoop the water out of the cabinet using a suitable container.



- Raise the locking clamp for the non-return valve.



- Lift up the non-return valve and rinse well under running water.
- Remove all foreign objects from the non-return valve.



The drain pump is situated under the non-return valve (see arrow).

- Remove all foreign objects from the drain pump (watch out for glass or bone splinters which are particularly difficult to detect and could cause injury). Turn the drain pump impeller by hand to check that there are no more obstructions.
- Carefully replace the non-return valve and secure it with the locking clamp.

## After sales service

---

Should you still have any difficulties, please contact:

– Your Miele Dealer

or

– The Miele Service Department (see back cover for address).

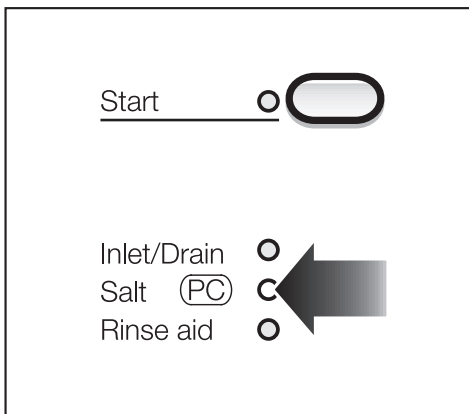
■ Please quote the model type and number of your appliance.

This information is given on the data plate at the top of the door.

Please note that telephone calls may be monitored and recorded to improve our service.

### Programme update function - PC

The programme update function (PC = Programme correction) is designed to enable a service technician to update your machine's electronics in keeping with advances in technology.



The indicator or check light marked "Salt PC" is used as the interface for this programming.

Information regarding programme updates will be made known by the Miele Company as and when such developments become available.



**Test standard:** EN 50242 / IEC 704

**Standard programme for comparison tests (energy label):** Economy

**Note:** The **Universal Plus 55 °** programme for normal soiling has increased wash and drying results with shorter running times and increased energy requirements.

**Amount washed:** 12 place settings

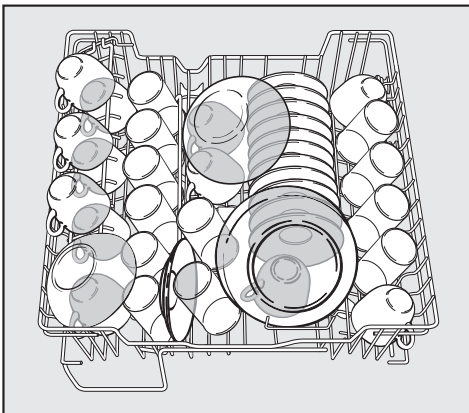
**Amount of detergent:** 30 g only in compartment II.

**Rinse aid dispensing:** Setting 3 (approx. 3 ml)

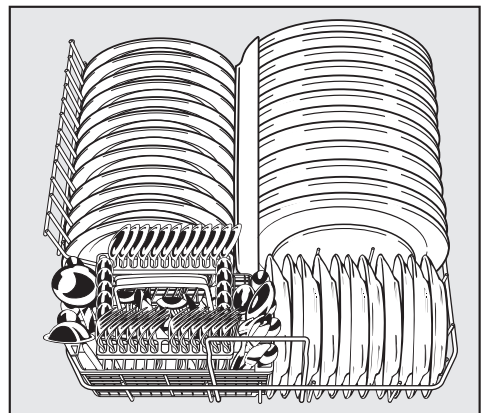
**Noise measurements:** Before starting a programme to measure noise, the dishwasher door must first be opened completely, and then closed.  
Doing this will automatically close the ventilation outlet for the Turbothermic process.

## Dishwashers with cutlery basket

**Cutlery insert:** Place teaspoons into the right and left hand spoon sections in the basket.  
Fit the cutlery insert into the cutlery basket (see "Loading the dishwasher").  
Place dessertspoons in the right and left hand sides of the cutlery insert, soup spoons at the back and forks in the front.



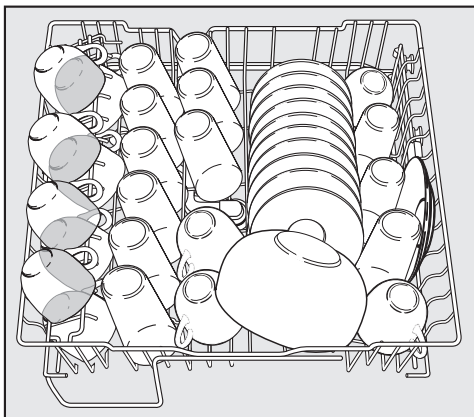
**Upper basket**



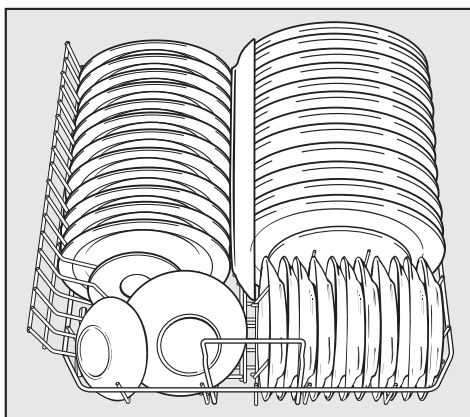
**Lower basket**

# Comparison tests

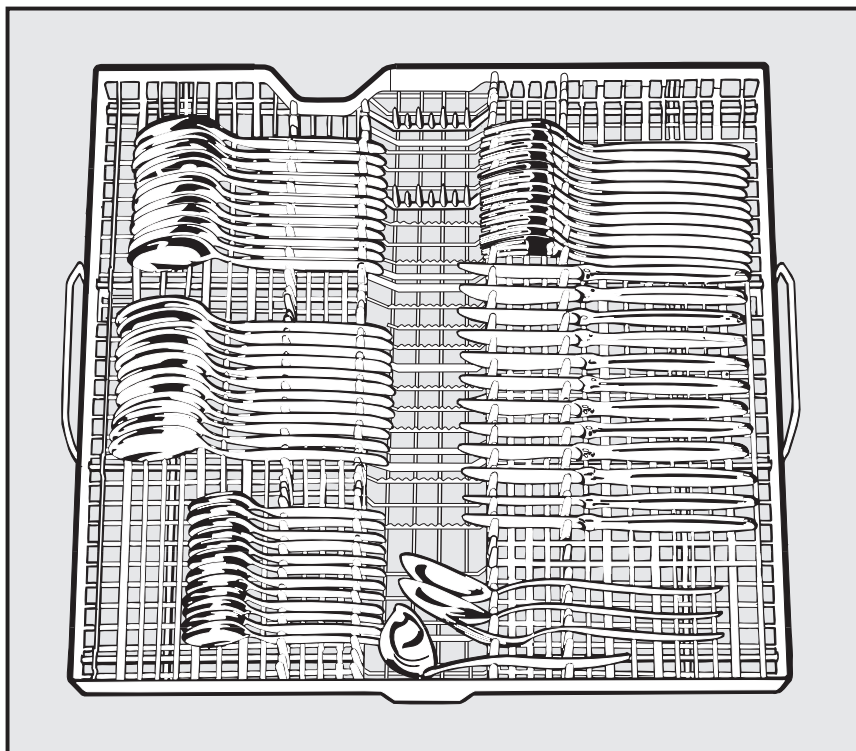
## Dishwashers with cutlery tray



Upper basket



Lower basket



Cutlery tray

### To make the most of your dishwasher

**If you would like ...**

**you will need to order ...**

---

... to wash bottles,  
e. g. milk or baby bottles

... . a bottle holder

---

... . to wash long-stemmed glassware

... . a glassware insert for the upper  
basket

---

... . to wash additional items of  
cutlery

... . a small cutlery basket for the  
lower basket

# Programme chart

Programme	When to use	Detergent
		Compartment II (Wash cycle)
Economy <sup>1)</sup>	for <b>normal</b> everyday loads, energy saving programme which uses a low temperature and long programme duration	100 %
Normal 50 °	with a shorter wash time for <b>lightly to normally soiled crockery where soiling has not dried on</b>	100 %
Universal 55 °	for <b>normal</b> everyday loads	100 %
Universal Plus 55 °	with a longer wash time for <b>normally soiled</b> crockery with <b>dried on</b> soiling	100 %
Intensive 75 °	for <b>normally soiled pots, pans, dishes etc</b> with <b>dried on</b> soiling; for very heavy soiling, add 20% more detergent to compartment I	100 %
Pre-wash	for rinsing crockery to avoid smells, if a complete cycle is not yet needed. This programme should also be used for flushing out salt residues after replenishing the salt reservoir.	

1) Standard programme for energy labelling.

# Programme chart

Programme sequence					Consumption			Duration	
					Energy	kWh	Water	h:min	
Pre-wash 1 2	Main wash	Interim rinse	Final rinse	Drying	Cold water connection (15 °C)	Hot water connection (55 °C)	Litres	Cold water connection (15 °C)	Hot water connection (55 °C)
	X 45 °	X	X 55 °	X	1.05	0.6	13	2:48	2:37
	X 50 °	X	X 65 °	X	1.2	0.6	13	1:02	0:55
	X 55 °	X	X 65 °	X	1.2	0.6	13	1:24	1:11
X	X 55 °	X	X 65 °	X	1.25	0.7	17	1:52	1:39
	X 75 °	X	X 75 °	X	1.7	1.2	13	2:24	2:02
X					0.06	0.06	5	0:11	0:11

When washing a full load in the Intensive Programme, the Universal Plus Programme, the Universal Programme, the Normal Programme and the Economy Programme at least 30 ml of detergent are required. If the detergent manufacturer recommends using more than this you should dispense the amount they suggest.

For the Intensive Programme add an additional 5-7 ml to compartment I.

Values quoted are in accordance with EN 50242. Results in the home may differ.





**United Kingdom:**

Miele Co. Ltd.  
Fairacres, Marcham Road  
Abingdon, Oxon, OX14 1TW  
Tel.: (01235) 554455  
Fax.: (01235) 554477  
Service Office Tel.: (08707) 554466  
E-mail: [info@miele.co.uk](mailto:info@miele.co.uk)  
Internet: [www.miele.co.uk](http://www.miele.co.uk)

**Ireland:**

Miele Ireland Ltd.  
Broomhill Road, Tallaght, Dublin 24  
Tel: (01) 46 10 710, Fax: (01) 46 10 797  
Email: [info@miele.ie](mailto:info@miele.ie)  
Internet: <http://www.miele.ie>

**Australia:**

Miele Australia Pty. Ltd.  
A.C.N. 005635398  
1 Gilbert Park Drive  
Knoxfield, VIC 3180  
Telephone: (03) 9764 7100  
Fax: (03) 9764 7129  
Internet: [www.miele.com.au](http://www.miele.com.au)

**Distributor New Zealand:**

Steelfort Engineering Company. Ltd.  
500 Rangitikei Street  
Palmerston North, Priv. Bag 11045, NZ  
Telephone: (06) 350 1350  
Fax: (06) 356 1507

**South Africa:**

Miele (Pty) Ltd  
63 Peter Place  
Bryanston 2194  
P.O. Box 69434  
Bryanston 2021  
Tel.: (011) 548 1900  
Telefax (011) 548 1935  
E-mail: [info@miele.co.za](mailto:info@miele.co.za)  
Internet: [www.miele.co.za](http://www.miele.co.za)

**Singapore:**

Miele Southeast Asia  
Miele Pte. Ltd.  
163 Penang Road  
# 04 - 02/03 Winsland House II  
Singapore 238463  
Tel : +65-67351191  
Fax: +65-67351161  
Email: [infosea@miele.com.sg](mailto:infosea@miele.com.sg)  
Internet: [www.miele.sg](http://www.miele.sg)

**Hong Kong:**

Miele (Hong Kong) Limited  
AIA Plaza, 24<sup>th</sup> Floor  
18 Hysan Avenue  
Causeway Bay  
Hong Kong  
Tel.: (852) 2610 1331  
Fax: (852) 2610 1013  
E-mail: [mielehk@miele.com.hk](mailto:mielehk@miele.com.hk)