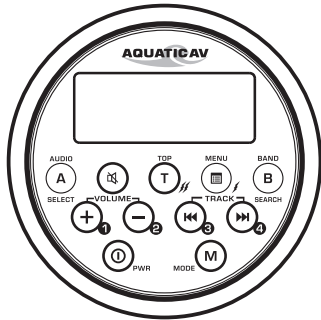


# AQUATICAV

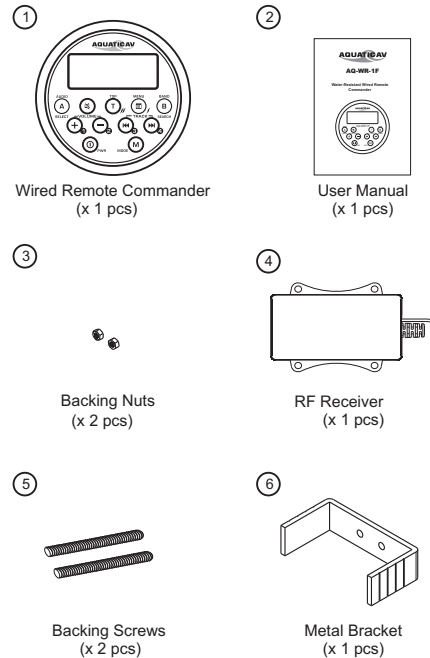
## AQ-RF-3FB

Water-Resistant Wireless Remote Commander

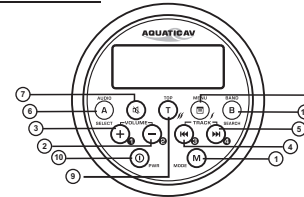


Compatible with all 3 series CD players  
(AQ-CD-3, AQ-CD-3B, AQ-DVD-3,  
AQ-DVD-3B, AQ-IP-3B)

### 1. Contents



### 2. Key Functions



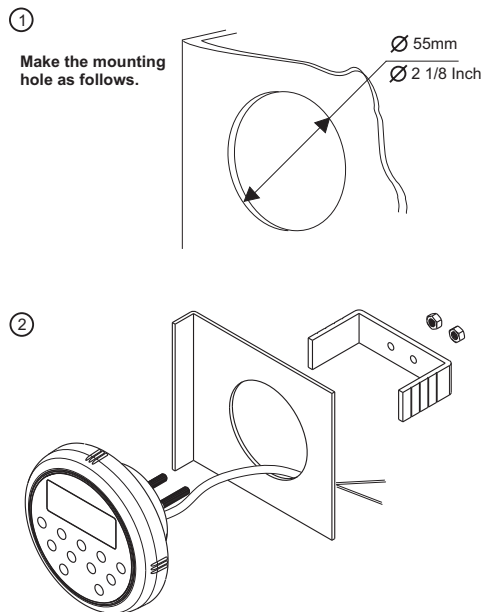
1. Press MODE(M) button to switch modes.
2. Use Volume (-) to lower the sound volume.
3. Use volume (+) to raise the sound volume.
4. Press( ← ) button to seek down/select the lower channel /track down, etc in different modes. Or hold this button to tune down/fast channel down/fast rewind, etc in different modes.
5. Press( → ) button to seek up/select the higher channel/track up in different modes. Or hold this button to tune up/fast channel up/fast forward, etc in different modes.
6. Press Audio/SEL (A) button to access the Audio menu to adjust the menu items. The unit will automatically exit the audio menu after five seconds of inactivity. You can also press this button to confirm any setting or entering any channel.
7. Press MUTE ( ) to turn sound off or on.
8. Press MENU ( ) button to access menu. Or press and hold this button to access 12V control.
9. Press the TOP (T) button to access TOP. Or press and hold this button to access 12V control.

10. Press POWER ( ) once to turn on or off the unit.
11. Press BAND/SEARCH ( B ) to change bands in Tuner or SAT mode.  
Hold this button in SAT mode to SAT search.  
Press this button in iPod mode to iPod search.

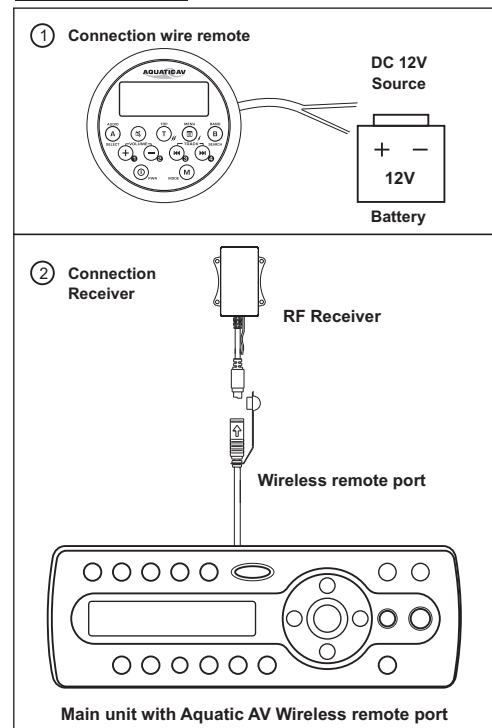
### 3. Highlighted Features

- **TOP DC +5V Out** (Remark: Please check with your equipment manufacturer before using this feature)  
This remote can control the main unit to activate the four 5V trigger on/off via the following procedure. When you want to activate a trigger, press "TOP"( ) button first, then there will be 20 seconds to press the 4 trigger numerical buttons, then the unit will send out 5V pulse momentarily to turn on/off 4 triggers respectively. If the 20 seconds expires, you need to press "TOP"( ) again to get another 20 seconds.
- **DC +12V Power Out**  
This Remote has two buttons named 12V\_1 ( ) and 12V\_2 ( ). These will be used to control the main unit transmit switching signal to the receiver which will have 2 trigger wire outputs capable of driving 12VDC/350mA for operating relays. The 2 triggers will be activated On/Off via the following:
  - Trigger 1(12V\_1) : Press and hold MENU (9) button (>3 second);
  - Trigger 2(12V\_2) : Press and hold "TOP"(10) button (>3 second).

### 4. How to install



### 5. Connection



### 6. Pairing the Wireless Remote Control

- #### 6.1. How to Pairing the Wireless Remote Control
- Note:** When connecting AQ-RF-3FB devices for the first time with a RF receiver, a mutual registration is required, this is called "Pairing". This registration is only required only the first time, as wireless remote commander and RF receiver devices will recognize each other automatically the next time.
- Note:** The wireless remote control included in this package was already paired with the RF Receiver. There is no need to do the pairing again.
- Note:** This AQ-RF-3FB allows one RF receiver maximum pairing with 10 wireless remote commander. Please following below operation to pairing the new control with the receiver.
- Connect the wireless remote control to 12V DC power and make sure the RF receiver is connected with main unit. Under main unit power on, hold and press Audio (A) button on remote for 3 seconds, LCD will display "+LEARN -CLR", press "+" button and follow the LCD instructions to complete the pairing. LCD will display "Learning OK" if pairing successfully.
- Note:** If the AQ-RF-3FB is already paired with 10 remotes successfully and you continue to pair the new remotes, it will automatically cover the first remotes paired.

### 6.2. How to Clear the Paired Remote

If you don't want the wireless remote commander paired with the RF receiver, please follow the below operation: Connect the Remote to 12V power and connect the receiver to the main unit. Under main unit power on, hold and press AUDIO button of remote for 3 seconds, LCD will display "+LEARN -CLR", press "-" button and follow the LCD instructions to complete the clearing. LCD will display "Clear OK" if cleared successfully.

### 7. Specifications

Wireless Remote Control Dimensions: 90x36 mm.  
Working voltage: ±12VDC.  
Working distance: up to 40FT.

**Note:** Specifications are typical. Individual units may vary. Specifications are subject to change and improvement without notice.

**Warning: This remote draws 35ma and should not be connected to a constant power wire. this should be wired to function in accessory position.**