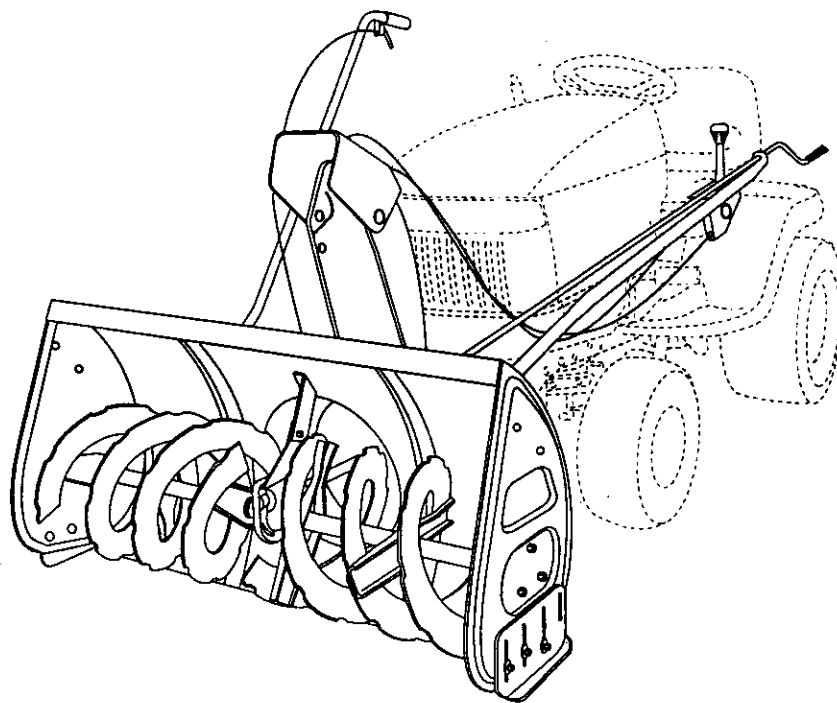


Owner's Manual

CRAFTSMAN®

**46" - 2 STAGE SNOW THROWER
TRACTOR ATTACHMENT**

Model No. 486.248460



CAUTION:

Before using this product,
read this manual and follow
all Safety Rules and
Operating Instructions.

- Safety
- Assembly
- Operation
- Maintenance
- Parts

Sears, Roebuck and Co., Hoffman Estates, IL 60179 U.S.A.

PRINTED IN U.S.A.

TABLE OF CONTENTS

ACCESSORIES..... 2	SERVICE AND ADJUSTMENTS 16
SAFETY RULES 3	STORAGE 17
FULL SIZE HARDWARE CHART 4	TROUBLESHOOTING 17
CARTON CONTENTS 5	REPAIR PARTS ILLUSTRATION 18,20
ASSEMBLY 6	REPAIR PARTS LIST 19,21
OPERATION 13	SLOPE GUIDE 23
MAINTENANCE 15	PARTS ORDERING/SERVICE..... Back Page

WARRANTY

LIMITED ONE YEAR WARRANTY ON 46" 2-STAGE SNOW THROWER

For one year from the date of purchase, when this snow thrower is maintained and lubricated according to the operating and maintenance instructions in the owner's manual, Sears will repair any defect in material or workmanship free of charge. If this snow thrower is used for commercial or rental purposes, this warranty applies for only 90 days from the date of purchase.

This warranty does not cover repairs necessary because of operator negligence or abuse, including the failure to maintain the equipment according to instructions contained in the owner's manual.

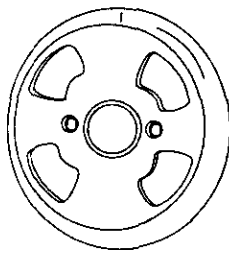
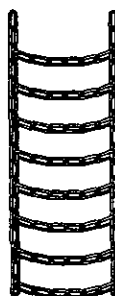
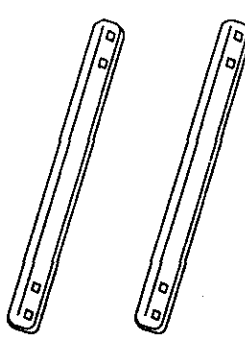
WARRANTY SERVICE IS AVAILABLE BY CONTACTING THE NEAREST SEARS SERVICE CENTER/DEPARTMENT IN THE UNITED STATES.

This warranty applies only while this product is in the United States.

This warranty gives you specific legal rights, and you may also have other rights which vary from state to state. Sears, Roebuck and Co. D/817 WA. Hoffman Estates, Chicago, IL 60179

ACCESSORIES AND ATTACHMENTS

These accessories were available when the unit was purchased. They are also available at most Sears retail outlets and service centers. Most Sears stores can order repair parts for you when you provide the model numbers of your tractor and snow thrower.

<p>WHEEL WEIGHT</p> 	<p>TIRE CHAINS</p> 	<p>DRIFT CUTTER BARS KIT NO. 71-52050</p> 
--	---	--

<p>The model number and serial numbers will be found on a decal attached to the snow thrower.</p> <p>You should record both the serial number and the date of purchase and keep in a safe place for future reference.</p>	<p>MODEL NUMBER: 486.248460</p> <p>SERIAL NUMBER: _____</p> <p>DATE OF PURCHASE: _____</p>
---	---



SAFETY



Any power equipment can cause injury if operated improperly or if the user does not understand how to operate the equipment. Exercise caution at all times, when using power equipment.

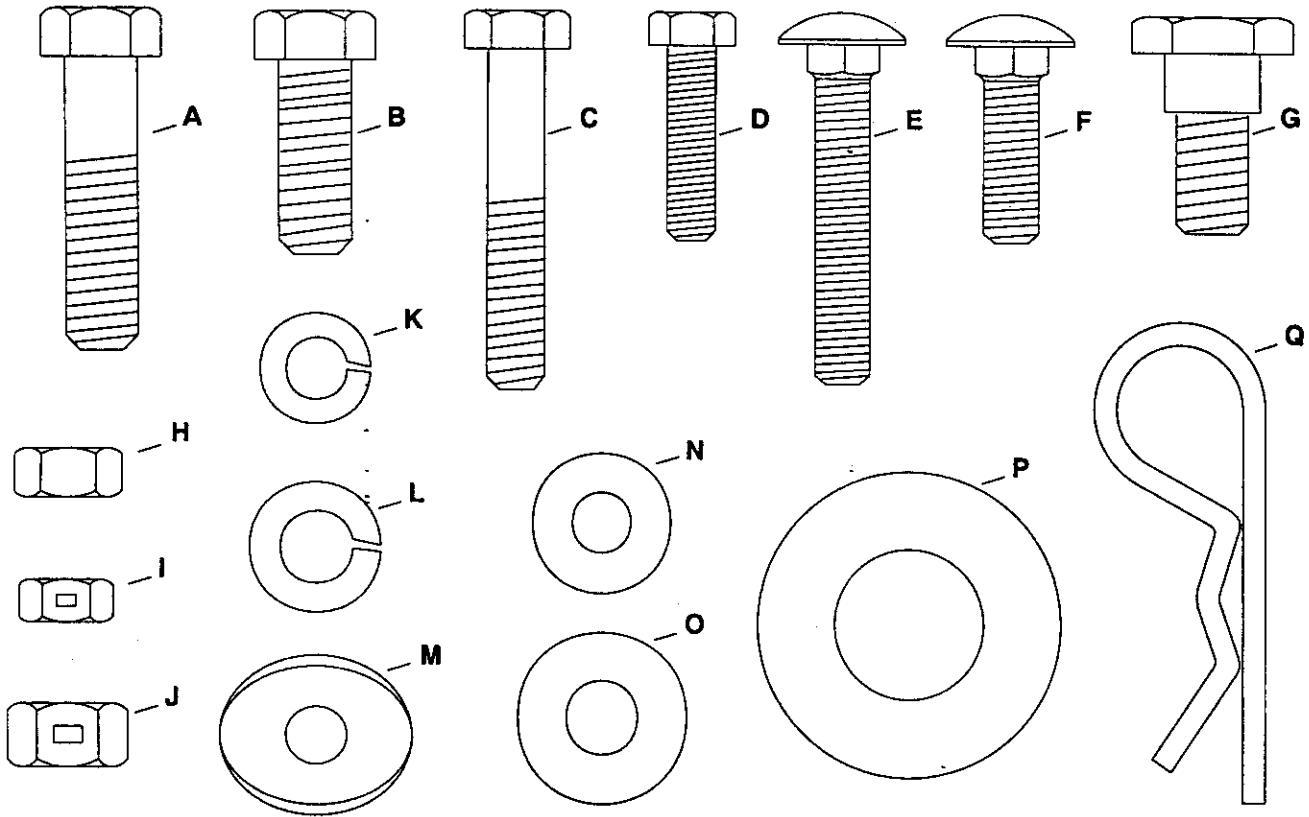
- Read this owner's manual carefully and know how to operate your snow thrower and how to stop the unit and disengage the controls quickly.
- Never allow children to operate the equipment.
- Never allow adults to operate the equipment without proper instruction.
- Keep the area of operation clear of all persons, especially small children, and pets.
- Thoroughly inspect the area where the equipment is to be used and remove all door mats, sleds, boards, wires and other foreign objects.
- Disengage all clutches and shift into neutral before starting engine.
- Do not operate equipment without wearing adequate winter outer garments.
- Wear substantial footwear which will protect feet and improve footing on slippery surfaces.
- Check fuel before starting the engine. Do not remove the fuel cap or fill the fuel tank while the engine is running or hot. Do not fill the fuel tank indoors. Gasoline is an extremely flammable fuel.
- Make sure the snow thrower height is adjusted to clear the type surface it will be used on.
- Do not use the snow thrower without the rear weight attached to the tractor.
- Never make any adjustments while the engine is running.
- Always wear safety glasses or eye shield during operation or while performing and adjustment or repair.
- Do not place hand or feet near rotating parts. Keep clear of the discharge opening at all times.
- Use extreme caution when operating on or crossing gravel surfaces.
- Do not carry passengers.
- After striking a foreign object, stop the engine, remove the wire from the spark plug and then thoroughly inspect the snow thrower for damage. Repair any damage before restarting and operating the snow thrower.
- If the snow thrower starts to vibrate abnormally, stop the engine immediately and check for the cause. Vibration is generally a warning of trouble.
- Stop the engine whenever you leave the operating position, before unclogging the snow thrower or making any adjustments or inspections.
- Take all possible precautions when leaving the unit unattended. Disengage the attachment clutch lever or switch, lower the snow thrower, shift into neutral, set the parking brake, stop the engine and remove the key.
- When cleaning, repairing or inspecting, make certain all moving parts have stopped. Disconnect the spark plug wire and keep it away from the plug to prevent accidental starting.
- Do not run engine indoors except when transporting the snow thrower in or out of the building. Open the outside doors. Exhaust fumes are dangerous.
- Do not clear snow across the face of slopes. Exercise extreme caution when changing direction on slopes. Do not attempt to clear steep slopes. Refer to the slope guide on page 19 of this manual.
- Never operate the snow thrower without guards, plates or other safety protection devices in place.
- Never operate the snow thrower near glass enclosures, automobiles, window wells, drop offs etc. without proper adjustment of the snow thrower discharge angle.
- Never direct discharge at bystanders or allow anyone in front of the snow thrower.
- Never run the snow thrower into material at high speeds.
- Do not overload the machine capacity by attempting to clear snow at too fast a rate.
- Never operate the machine at high transport speed on slippery surfaces. Look behind and use care when backing.
- Watch for traffic and stay alert when crossing or operating near roadways.
- Disengage power to the snow thrower when transporting or when not in use.
- Use only attachments and accessories approved by the manufacturer of the snow thrower (such as wheel weights, counter weights, cabs etc.)
- Never operate the snow thrower without good visibility or light.



Look for this symbol to point out important safety precautions. It means--**Attention!! Become alert!! Your safety is involved.**

HARDWARE PACKAGE CONTENTS

SHOWN ACTUAL SIZE



Two shear bolts (R) and hex lock nuts (S) are provided as replacement parts for the spiral augers. Store in a safe place until needed. (See page 16.)

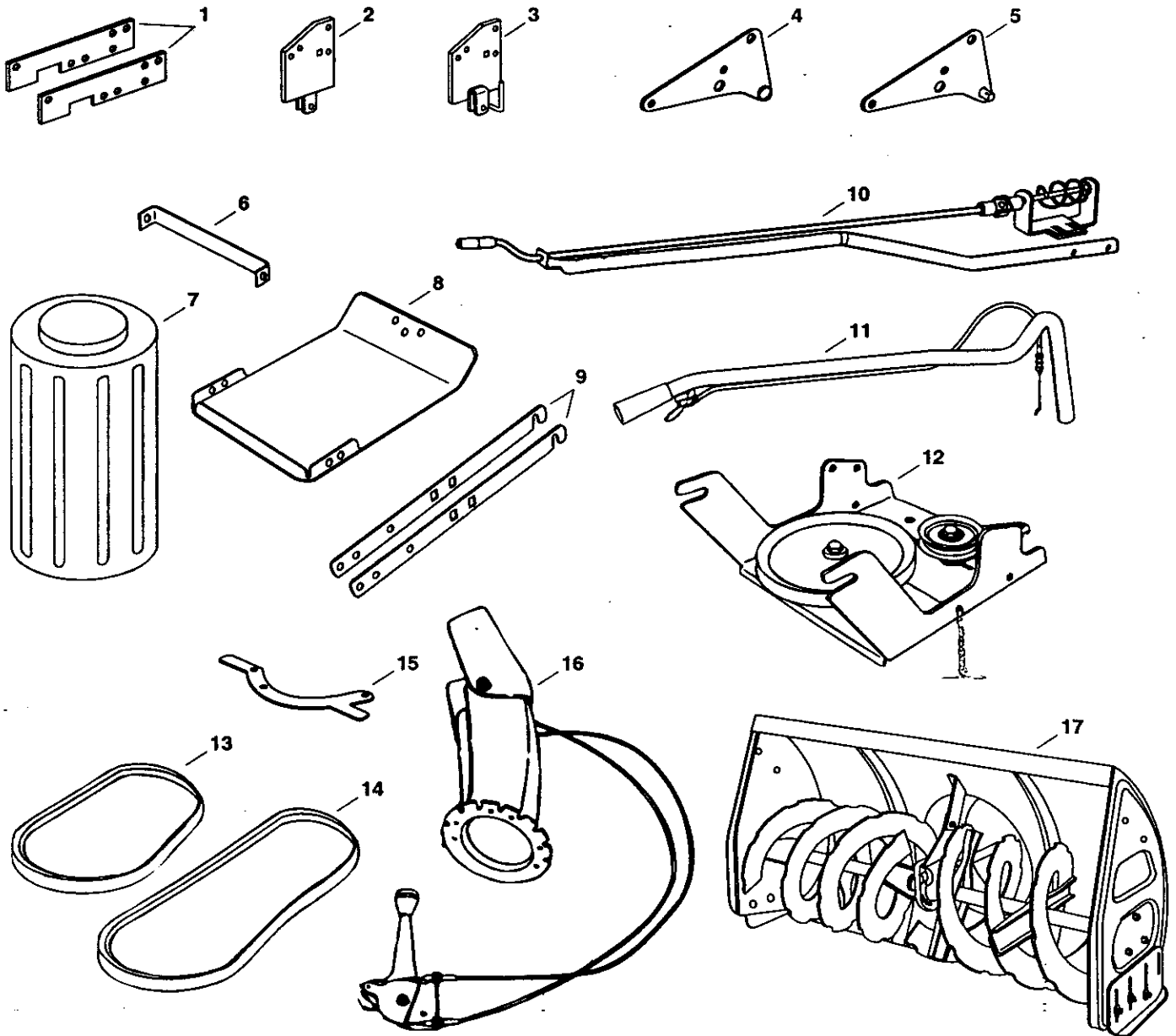
NOT SHOWN ACTUAL SIZE

REF.	QTY.	DESCRIPTION	REF.	QTY.	DESCRIPTION
A	2	Hex Bolt, 3/8" x 1-1/2"	M	2	Bowed Washer
B	12	Hex Bolt, 3/8" x 1"	N	6	Washer, 1/4"
C	2	Hex Bolt, 5/16" x 1-3/4"	O	2	Washer, 5/16"
D	6	Hex Bolt, 1/4" x 1"	P	2	Washer, 3/4"
E	2	Carriage Bolt, 5/16" x 1-3/4"	Q	4	Hairpin Clip, 1/8"
F	6	Carriage Bolt, 5/16" x 1"	R	2	Shear Bolt
G	2	Shoulder Bolt	S	2	Hex Lock Nut, 5/16"
H	10	Hex Nut, 5/16"	T	1	Tarp Strap
I	6	Hex Lock Nut, 1/4"	U	3	Chute Keeper
J	12	Hex Lock Nut, 3/8"	V	1	Plastic Grip
K	10	Lock Washer, 5/16"	W	2	Lock Pin
L	18	Lock Washer, 3/8"			

ASSEMBLY

CARTON CONTENTS

1. Frame Brackets (2)
2. Hanger Bracket, L.H.
3. Hanger Bracket, R.H.
4. Side Plate, L.H.
5. Side Plate, R.H.
6. Cross Brace
7. Plastic Weight Keg
8. Weight Tray
9. Side Brace Arms (2)
10. Chute Crank Assembly
11. Lift Handle with Cable
12. Clutch/Idler Assembly
13. Drive "V" Belt
14. Auger "V" Belt (Attached to Housing Assembly)
15. Anti-rotation Bracket
16. Chute and Control Cable Assembly
17. Housing Assembly
Hardware Package (Stored inside Plastic Keg)



TOOLS REQUIRED FOR ASSEMBLY

- (2) 7/16" Wrenches
- (2) 1/2" Wrenches
- (2) 9/16" Wrenches
- (1) 5/8" Wrench or Adjustable Wrench
- (1) 11/16" Wrench or Adjustable Wrench
- (1) 3/4" Wrench or Adjustable Wrench
- (1) Knife

ADDITIONAL ITEMS REQUIRED
General Purpose Grease

REMOVAL OF PARTS FROM CARTON

- Remove all parts and hardware packages from the carton. Lay out all parts and hardware and identify using the illustrations on pages 4 and 5.



CAUTION: Before starting to assemble the snow thrower, remove the spark plug wire(s), set the parking brake and remove the key from the tractor ignition.

TRACTOR PREPARATION

Before proceeding with these instructions, refer to the Service and Adjustments section of your tractor owner's manual for specific safety instructions.

- Allow engine, muffler and exhaust deflector to cool before beginning.
- Remove any front or rear attachment which is mounted to your tractor.
- Remove the mower deck. Refer to your tractor owner's manual for removal instructions. Mark all loose parts and save for reassembly.
- Remove the tractor hood and grill assembly. Refer to your tractor owner's manual for removal instructions.

ITEMS REMOVED FROM TRACTOR

Store all brackets and fasteners removed from the tractor during the assembly of the snow thrower, unless the instructions call for their use.

ASSEMBLING PARTS TO TRACTOR FRAME

Right hand (R.H.) and left hand (L.H.) are determined from the operators position while seated on the tractor.

- Remove the hex bolt from the threaded hole at the top front corner of R.H. front suspension bracket. Remove the nut from the carriage bolt at the top rear corner of the bracket, leaving the carriage bolt in the tractor frame. See figure 1.
- Repeat for the L.H. front suspension bracket.

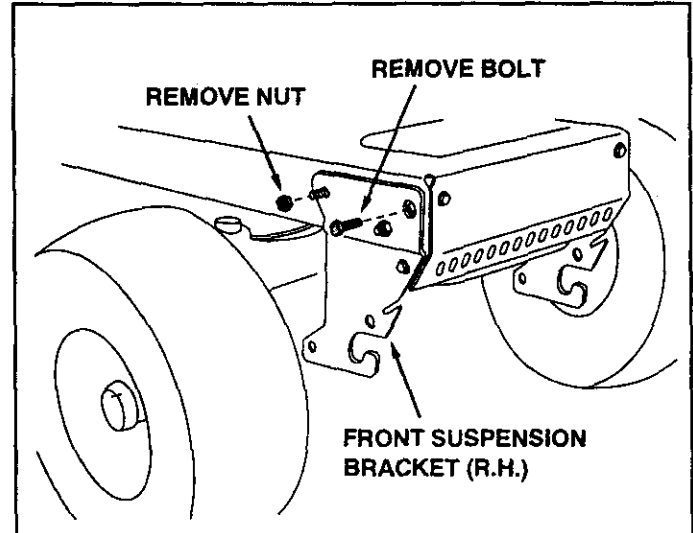


FIGURE 1

RIGHT SIDE VIEW

- Attach the rear of the R.H. side plate to the tractor using the original carriage bolt and a new 3/8" lock washer and 3/8" lock nut. Attach the front of the side plate to the threaded hole in the tractor frame using a 3/8" x 1" hex bolt and a 3/8" lock washer. Repeat for the L.H. side. See figure 2.

NOTE: If the side plates are removed from the tractor frame, be sure to reassemble bolts and nuts back into the frame.

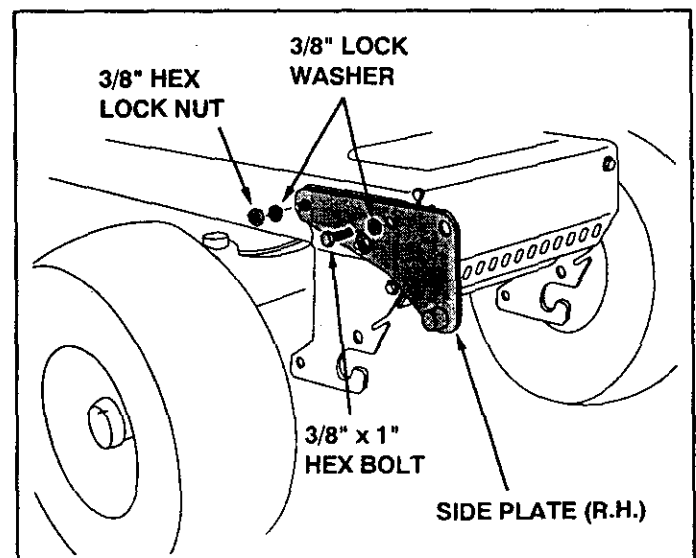


FIGURE 2

RIGHT SIDE VIEW

- Remove the mower stop bracket and its two bolts and nuts from the R.H. side of the tractor frame as shown in figure 3.
- If the tractor has a muffler guard at the front of the R.H. foot rest, remove the bottom bolt and nut, and the washer which is located between the guard and the tractor frame. See figure 3.
- Remove the two bolts from the bottom of both the R.H. and L.H. foot rests. See figure 3.

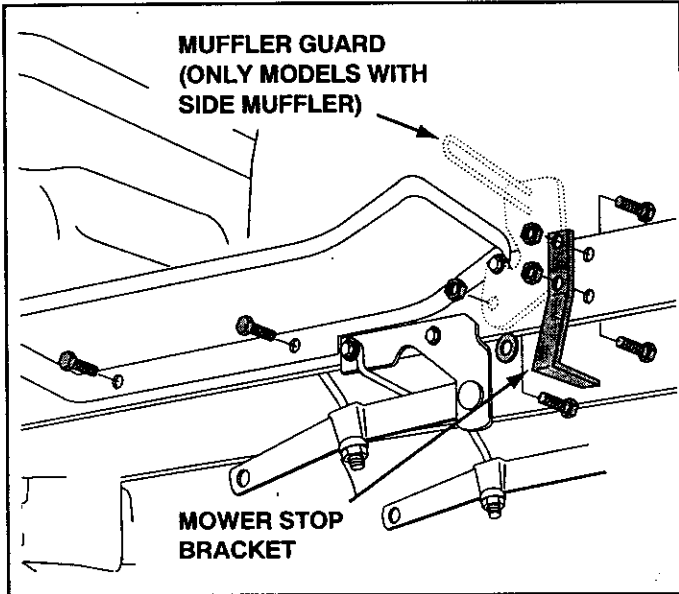


FIGURE 3 RIGHT SIDE VIEW

- Assemble the R.H. hanger bracket to the bottom hole where the mower stop bracket was removed and to the bottom hole under the front of the foot rest. Fasten with two 3/8" x 1" hex bolts, 3/8" lock washers and 3/8" hex lock nuts. (On tractors with muffler guards, slide the hanger bracket between the guard and the tractor frame.) See figure 4.

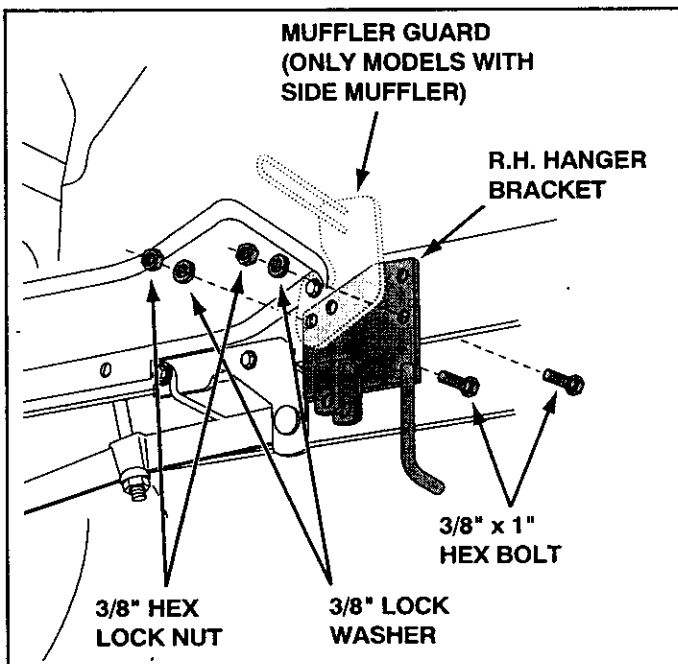


FIGURE 4 RIGHT SIDE VIEW

- Assemble the L.H. hanger bracket to the left side of the tractor frame using two 3/8" x 1" hex bolts, two 3/8" lock washers and two 3/8" hex lock nuts as shown in figure 5.

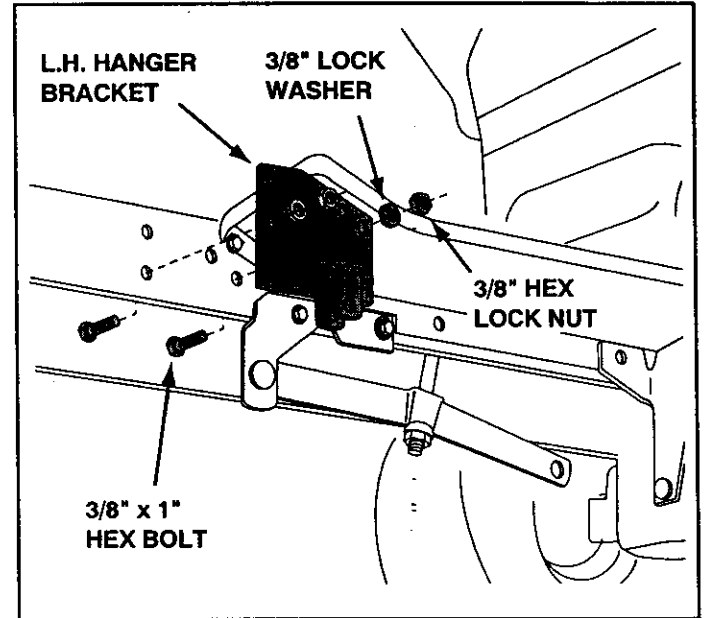


FIGURE 5 LEFT SIDE VIEW

- Assemble the R.H. frame bracket (no bends) to the holes in the bottom of the R.H. foot rest as shown in figure 6. Use two 3/8" x 1" hex bolts and two 3/8" lock washers.
- Assemble a shoulder bolt to outside of the R.H. frame bracket, securing it with a 3/8" lock washer and a 3/8" hex lock nut. See figure 6.

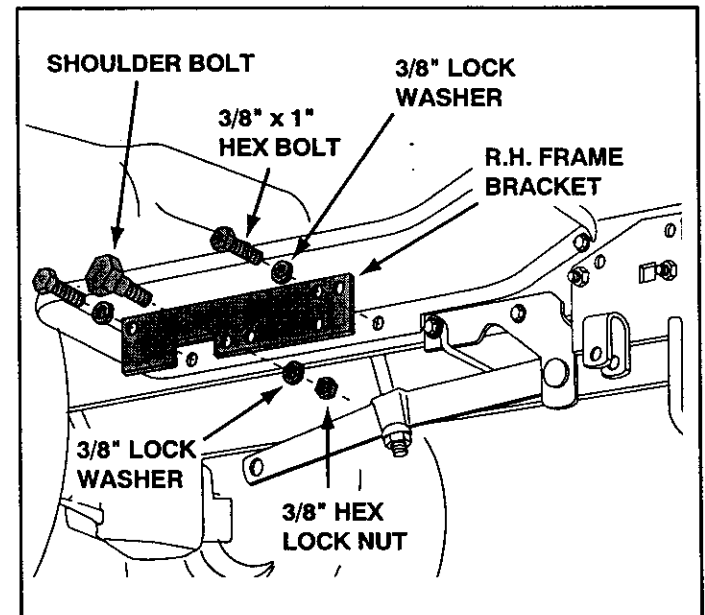


FIGURE 6 RIGHT SIDE VIEW

- Assemble the L.H. frame bracket (with bend) to the holes in the bottom of the L.H. foot rest and the sway bar bracket as shown in figure 7. Use two 3/8" x 1" hex bolts and two 3/8" lock washers.
- Assemble a shoulder bolt to the outside of the L.H. frame bracket, securing it with a 3/8" lock washer and a 3/8" hex lock nut. See figure 7.

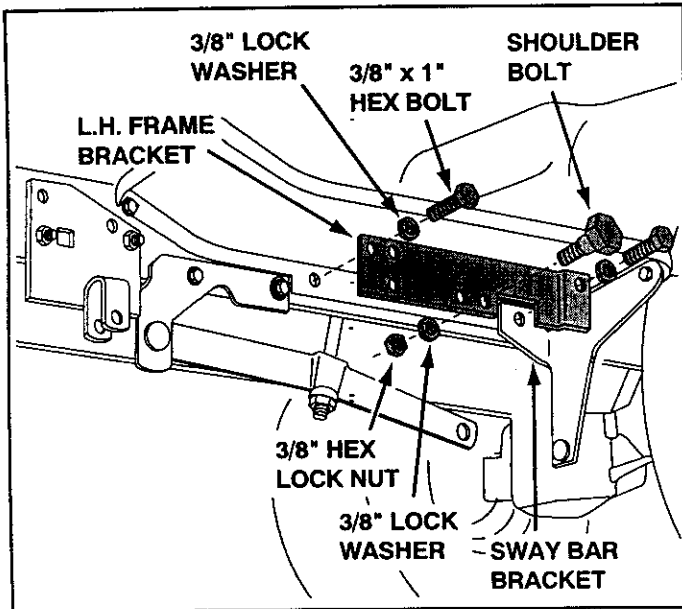


FIGURE 7 LEFT SIDE VIEW

ATTACHING CLUTCH/IDLER ASSEMBLY

- Attach the rear of the clutch/idler assembly to the tractor frame by sliding the notched arms of the assembly onto the shoulder bolts assembled to the frame brackets. Lift the front of the assembly, positioning the upper idler pulley so that it clears the engine pulley. Attach the front of the assembly to the hanger brackets using two pivot lock pins and 1/8" hairpin clips. See figure 8.

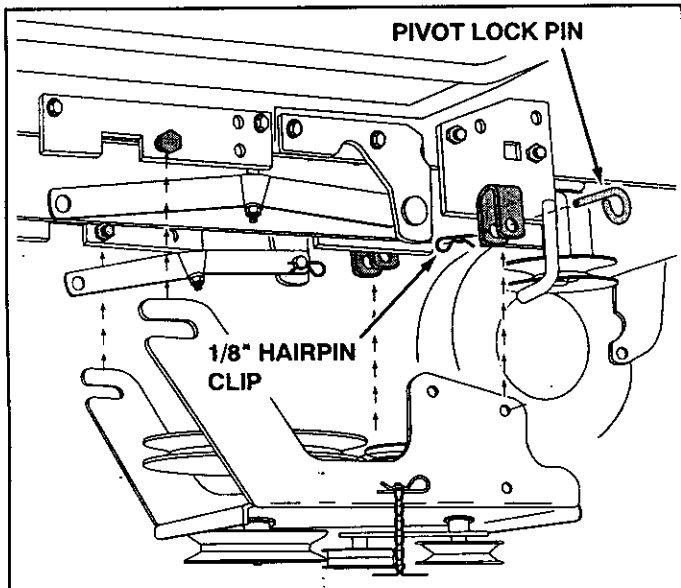


FIGURE 8 RIGHT SIDE VIEW

ASSEMBLY OF SNOW THROWER

- Place the lift handle into the lift bracket on the right side of the snow thrower. Fasten the handle to the bracket using two 5/16" x 1-3/4" hex bolts, 5/16" lock washers and 5/16" hex nuts. See figure 9.

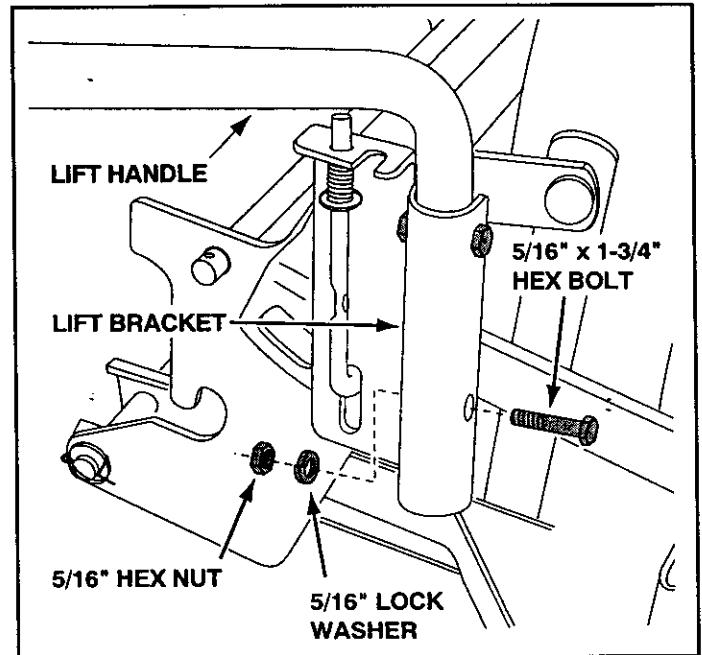


FIGURE 9 RIGHT SIDE VIEW

NOTE: Be sure the lift release cable's plastic covering remains inserted into the trigger assembly while completing the next step.

- Push the lift handle down into the locked position. Insert the end of the cable wire into the hole in the lift rod. Place the threaded fitting into the slot in the lift bracket, with one hex nut above and one hex nut and the lock washer below the slot. Tighten the nuts, adjusting them to eliminate slack in the cable wire. See figure 10. Refer also to the Service and Adjustments section on page 16 in this manual.

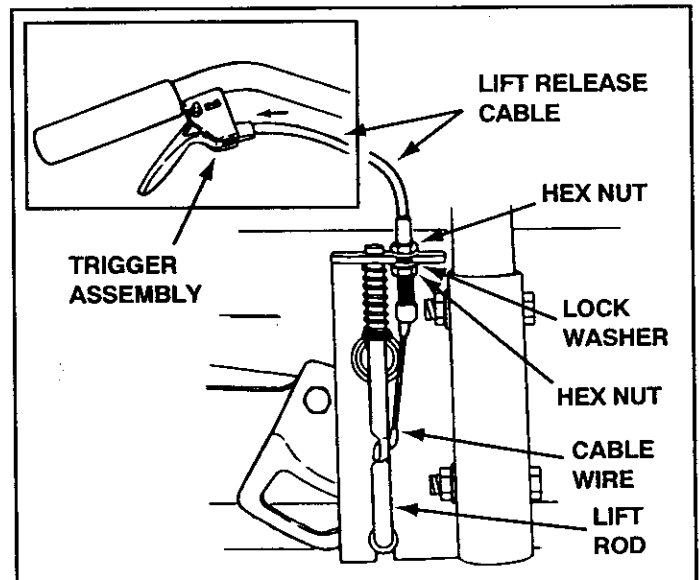


FIGURE 10 RIGHT SIDE VIEW

- Remove the nylon tie which fastens the chute crank rod to the crank support tube.
- Assemble the crank support tube (flat side) to the two brackets on the left side of the thrower housing using two 3/8" x 1-1/2" hex bolts, 3/8" lock washers and 3/8" hex lock nuts. See figure 11.

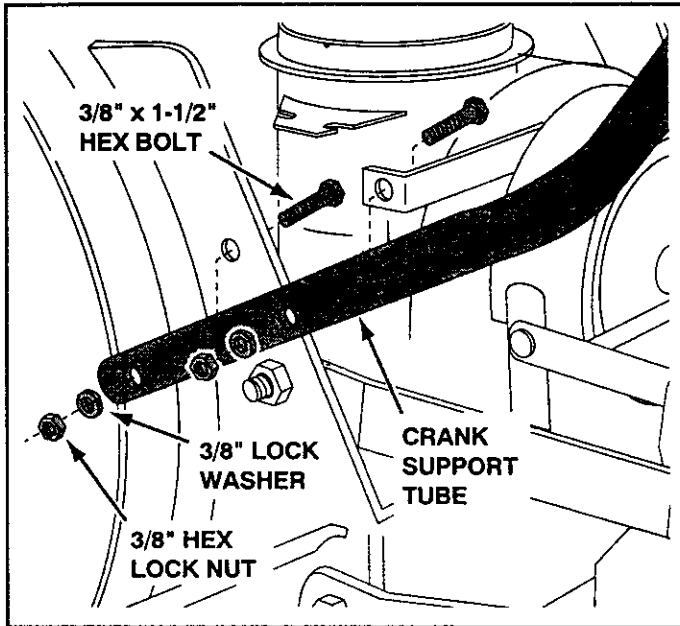


FIGURE 11 LEFT SIDE VIEW

- Attach the chute tilt control assembly to the top side of the crank support tube using two 5/16" x 1-3/4" carriage bolts, bowed washers, 5/16" lock washers and 5/16" hex nuts. See figure 12.

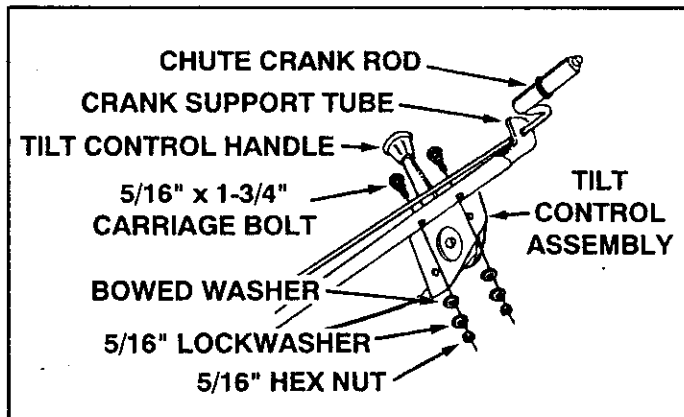


FIGURE 12 LEFT SIDE VIEW

- Attach the chute crank assembly to the plastic bracket on the left side of the thrower housing as shown in figure 13. Use two 5/16" x 1" carriage bolts, 5/16" flat washers, 5/16" lock washers and 5/16" hex nuts. **Do not tighten yet.**

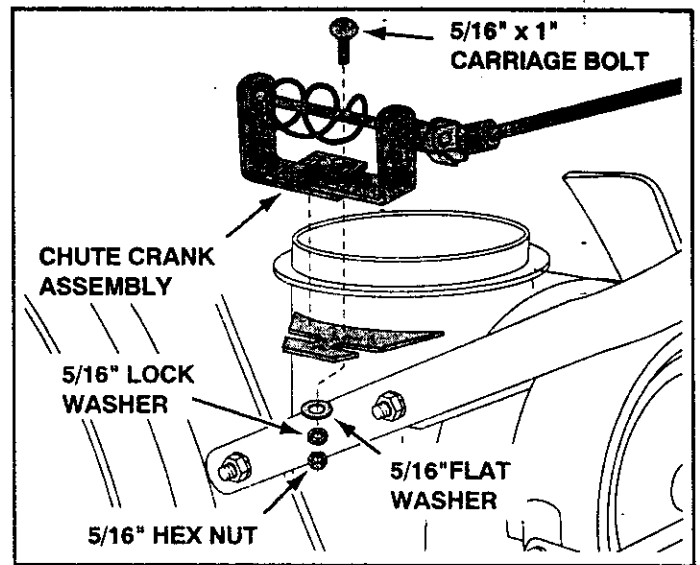


FIGURE 13 LEFT SIDE VIEW

- Coat the top of the ring around the discharge opening with general purpose grease. See figure 14.
- Place the discharge chute (facing forward) onto the discharge opening, aligning the crank rod spiral with the notches in the chute flange.
- Attach the three chute keepers (right side up as shown in figure 14) and the anti-rotation bracket to the bottom of the chute flange. Use six 1/4" x 1" hex bolts, 1/4" flat washers and 1/4" hex lock nuts. **Tighten carefully** so that the plastic parts are not deformed. See figure 14.
- Place the plastic grip onto the back end of the anti-rotation bracket. See figure 14.
- Position the chute crank assembly so that the crank rod spiral does not rub the bottoms of the notches in the chute flange and then **tighten** the nuts left loose in figure 13.
- Check if the crank rod rotates the chute freely. If not, loosen by 1/4 turn each of the six hex bolts holding the chute keepers to the chute flange.

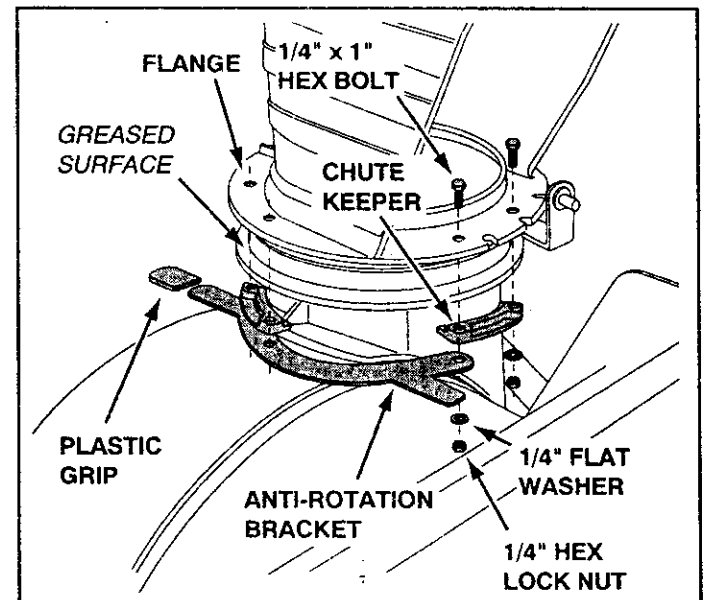


FIGURE 14 RIGHT FRONT CORNER VIEW

MOUNTING SNOW THROWER TO TRACTOR

NOTE: The help of another person may be required to mount the snow thrower to the front of the tractor.

- Place the tractor and snow thrower on a flat, level surface.
- Remove the plastic tie from the auger belt and extend the belt out behind the snow thrower, making sure the belt remains assembled around the top of the large auger drive pulley and passing underneath the two side idler pulleys.
- Align the tractor behind the snow thrower.
- Remove the attachment pin from the snow thrower.
- Squeeze the release trigger on the lift handle and raise the handle out of the locked position. (If the handle will not release out of the locked position, refer to the Service and Adjustments section of this manual.)
- Grasp the round bar just behind the auger drive pulley and lift up to align the rear mounting notches on the snow thrower with the mounting pins on the tractor. Slide the pins into the notches.
HINT: If you are unable to fit the mounting pins into the notches, try placing 1" or 2" blocks of wood under the front skid shoes on the snow thrower.
- Assemble a 3/4" washer and a 1/8" hairpin clip to each mounting pin.
- Secure the snow thrower to the tractor using the attachment pin and 1/8" hairpin clip. Insert the attachment pin from the left side. See figure 15.

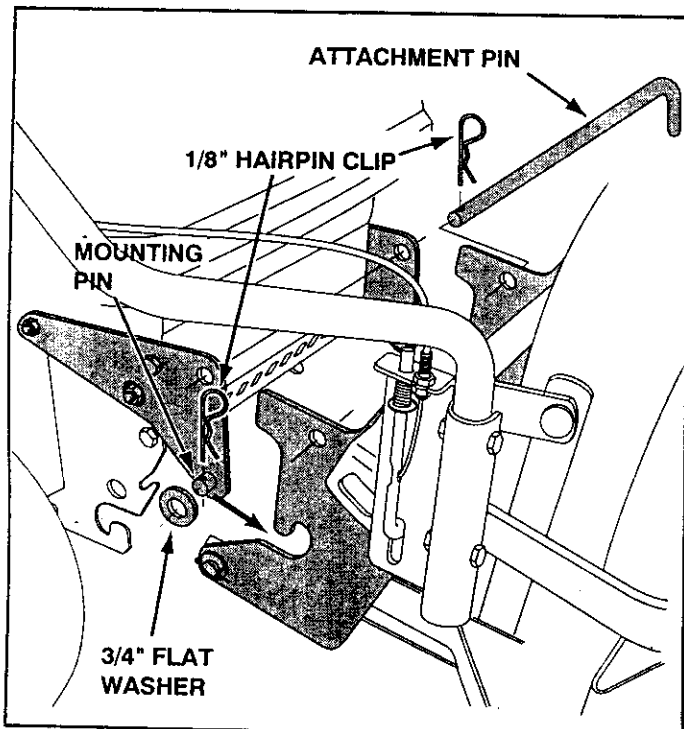


FIGURE 15

RIGHT SIDE VIEW

ASSEMBLING THE BELTS

IMPORTANT: The tapered "V" section of the belts must be seated into the grooves of the V-pulleys.

DRIVE BELT

- Remove both **outside** 1/8" hairpin clips which are assembled to the tension adjusting chains on the outside of the clutch idler assembly frame. (The clips will be reinstalled after both belts have been assembled.) **Do not remove** the 3/32" hairpin clips assembled to the chains on the **inside** of the assembly frame. See figure 16.
- Assemble the drive belt onto the tractor's engine pulley and then onto the upper rear pulley on the clutch/idler assembly. Keep the flat idler pulley on the outside of the belt. See figure 16.

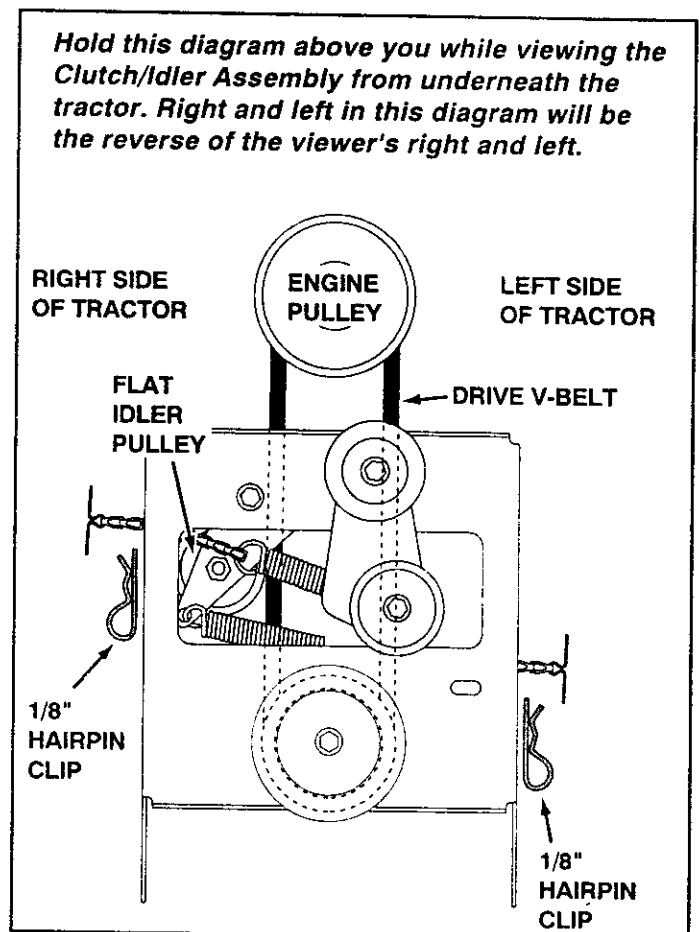


FIGURE 16

VIEWED FROM UNDERNEATH

AUGER BELT

- Make sure the auger belt is correctly assembled to the snow thrower. The belt must pass over the top of the auger pulley and then twist 1/4 turn to pass underneath the two side idler pulleys on the snow thrower. The "V" side of the belt must seat in the grooves of all three pulleys. See figure 17.

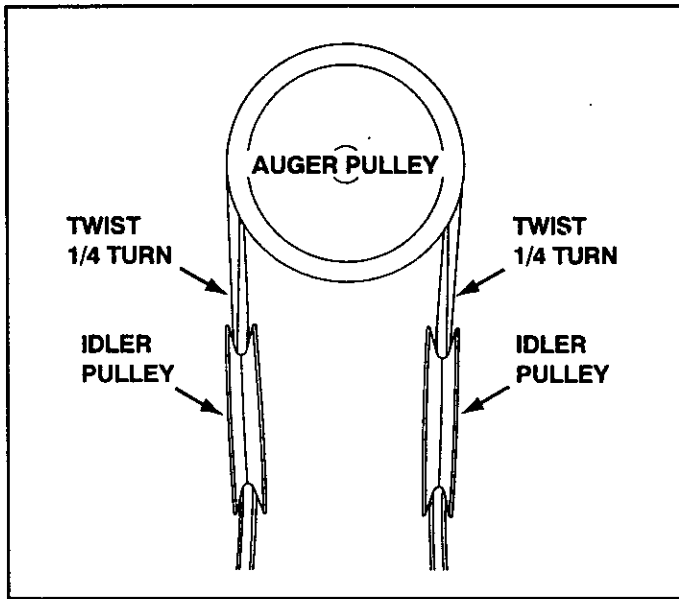


FIGURE 17

VIEWED FROM REAR

- Raise the snow thrower to the transport position.
- Place the **auger** belt around the bottom rear pulley on the clutch/idler assembly and between the two pulleys on the lower idler arm. Keep the flat idler pulley to the outside of the belt. See figure 18.
- Use the R.H. tension adjusting chain to pull the flat idler pulley in against the **auger** belt. Pull the chain out as far as the inside hairpin clip will allow and then fasten the chain in place using the 1/8" hairpin clip which was removed earlier. See figure 18.
- Use the L.H. tension adjusting chain to pull the flat idler pulley in against the **drive** belt. Pull the chain out as far as the inside hairpin clip will allow and then fasten the chain in place using the 1/8" hairpin clip which was removed earlier. See figure 18.

IMPORTANT: The inside hairpin clips are factory assembled to the fourth link of the L.H. chain and the seventh link of the R.H. chain. (Links are counted from the end of the chain which attaches to the spring.) If the clips are accidentally removed, they must be reassembled to the original link in order to set the correct belt tension.

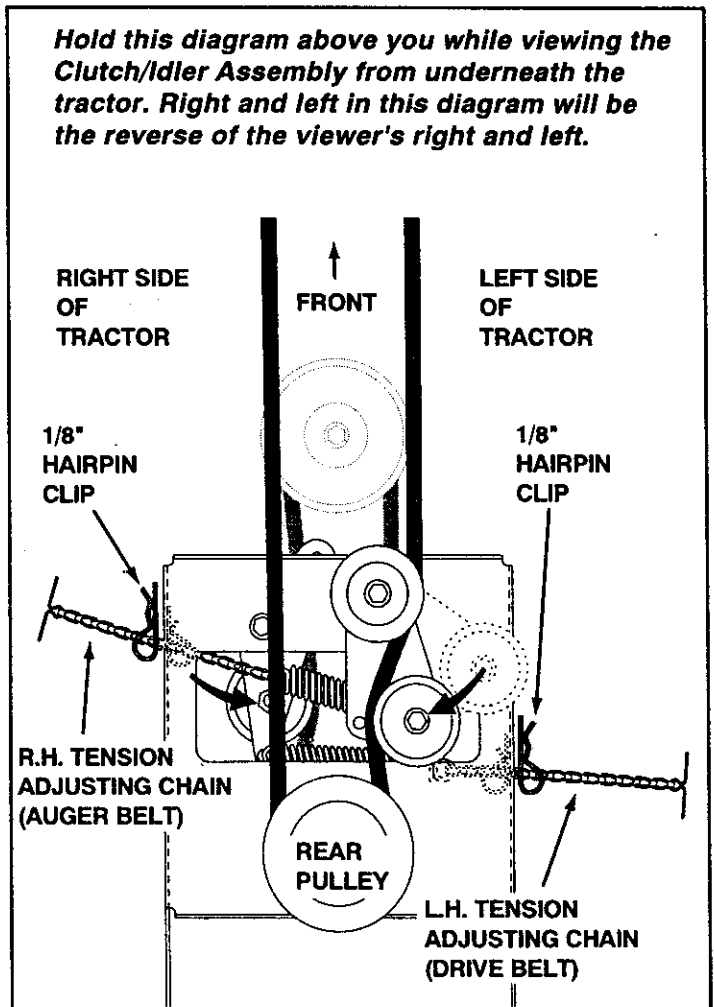


FIGURE 18

VIEWED FROM UNDERNEATH

ATTACHING WEIGHT TRAY TO TRACTOR

- Loosen the two hex bolts and nuts which fasten the top of the tractor drawbar to the rear of the tractor frame. See figure 19.
- Assemble the notched end of the side brace arms down onto both loosened bolts. **Do not tighten yet.** See figure 19.
- Fasten the weight tray to the drawbar using two 3/8" x 1" hex bolts, 3/8" lock washers and 3/8" hex lock nuts. **Do not tighten yet.** See figure 19.
- Fasten the weight tray to the side brace arms using two 5/16" x 1" carriage bolts, 5/16" lock washers and 5/16" hex nuts. **Do not tighten yet.** See figure 19.
- Fasten the weight tray cross brace to the side brace arms using two 5/16" x 1" carriage bolts, 5/16" lock washers and 5/16" hex nuts. **Tighten all loose bolts at this time.** See figure 19.

- Place the weight keg on the weight tray and fill with approximately 100 lbs. of dry sand.
- Secure the keg with the rubber tarp strap hooked into the holes in the cross brace. See figure 20.

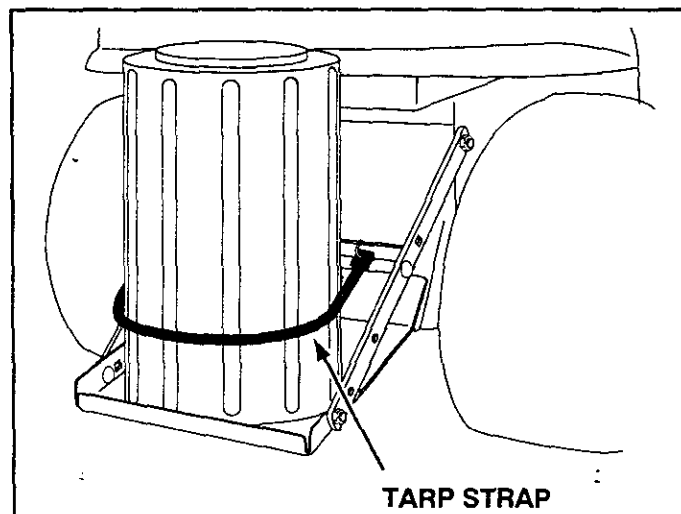


FIGURE 20 VIEWED FROM REAR

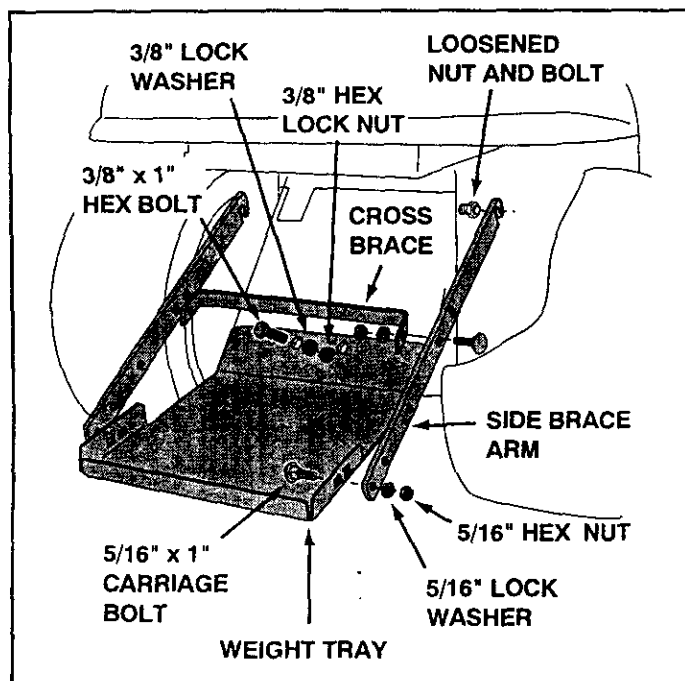


FIGURE 19 VIEWED FROM REAR

CHECKLIST

Before you operate your snow thrower, please review the following checklist to help ensure that you will obtain the best performance from your snow thrower.

- All assembly instructions have been completed with all bolts and nuts properly tightened.
- Check the engine belt and the auger belt. Make sure they are routed properly around pulleys and inside all belt keepers.
- Check discharge chute for proper rotation.
- Check operation of tilt control for upper chute.
- Verify that the snow thrower can be locked into and released from the raised transport position using the lift handle. (Refer to the Service and Adjustments section.)

The following additional items are available from Sears to help enhance the performance of your snow thrower.

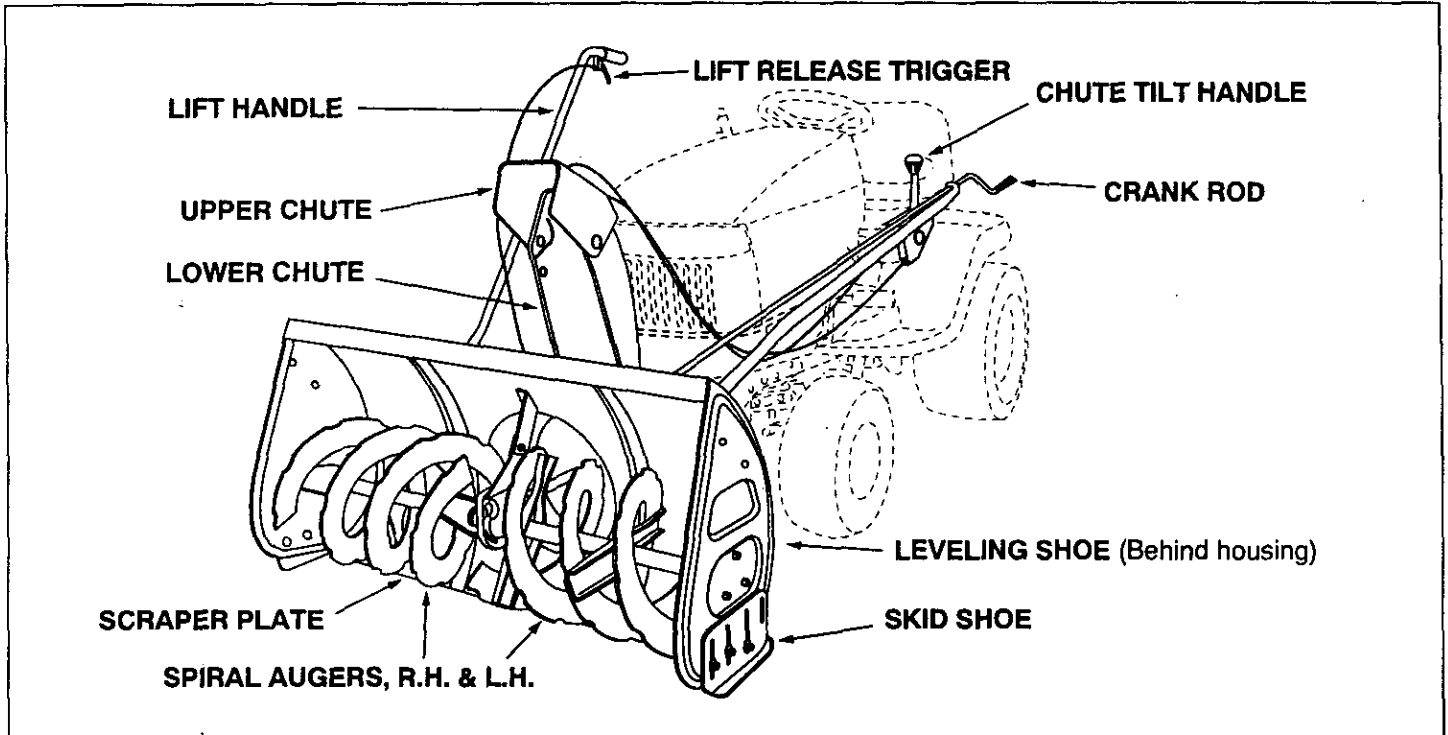
- Tire chains which can be installed to improve traction.
- Rear wheel weights which can be installed in addition to the rear weight tray to improve traction.
- Drift cutter bars which can be installed to help slice off the edges of tall drifts.

OPERATION

KNOW YOUR SNOW THROWER

Read this owner's manual and safety rules before operating your snow thrower.

Compare the illustration below with your snow thrower to familiarize yourself with the various controls and their locations.



CHUTE TILT HANDLE Pivots the Upper Chute up or down to control the angle and distance of discharge.

CRANK ROD Rotates the Lower and Upper Chutes to control the direction of discharge.

LEVELING SHOE Helps maintain the snow thrower in a level position.

LIFT HANDLE Used to lift or lower the snow thrower to transport or operating position.

LIFT RELEASE TRIGGER Releases the lock which holds the snow thrower in the up, transport position.

UPPER AND LOWER DISCHARGE CHUTE Controls direction and height of snow discharge.

SCRAPER PLATE Replaceable plate that absorbs wear and impact from contact with ground.

SKID SHOE Controls amount of clearance between the scraper plate and the ground.

SPIRAL AUGER, R.H. & L.H. Feed snow to the impeller fan at the center of the housing.

BEFORE STARTING

- Use the end of assembly checklist to verify that all instructions have been properly completed.
- Make sure the skid shoes are adjusted to maintain adequate ground clearance between the snow thrower and the type of surface to be cleared. The skid shoes are factory adjusted for clearing a smooth surface. (Refer to the Service and Adjustments section in this manual.)
- Make sure the tractor engine has the correct oil for winter operation (SAE 5W-30). Refer to tractor owner's manual.

HOW TO START YOUR SNOW THROWER

- The tractor should be sitting with the engine running at full throttle. Pull the attachment clutch switch out to the engaged position, starting the snow thrower before starting the tractor in motion.

HOW TO STOP YOUR SNOW THROWER

- To stop the snow thrower, push in the attachment clutch switch on the tractor. Refer to the Operation section in your tractor owner's manual.

HOW TO USE YOUR SNOW THROWER



CAUTION: Never direct discharge towards bystanders or windows. Do not allow anyone in front of unit.

CONTROLLING SNOW DISCHARGE

- To control the direction snow is thrown, the discharge chute has 180 degrees of rotation. Turn the crank rod clockwise to rotate the chute to the right. Turn the crank rod counterclockwise to rotate the chute to the left.
- To control the distance snow is thrown, the upper section of the discharge chute pivots up and down. Push forward on the chute tilt handle to pivot the chute down, decreasing the distance snow is thrown. Pull back on the handle to pivot the chute up, increasing the distance snow is thrown.

RAISING AND LOWERING

- To raise, push down on the lift handle until the snow thrower locks in the raised transport position.
- To lower, push down slightly on the lift handle and pull the trigger. With the trigger pulled, slowly lower the snow thrower until it reaches the ground.



CAUTION: Do not operate the snow thrower without the rear weight attached to the tractor. The rear wheels will lose braking traction without the rear weight.

REMOVING SNOW

Snow removal conditions vary greatly from light fluffy snowfall to wet heavy snow. Operating instructions must be flexible to fit the conditions encountered. The operator must adapt the lawn tractor and snow thrower to depth of snow, wind direction, temperature and surface conditions.

- Before beginning operation, thoroughly inspect the area of operation and remove all door mats, sleds, boards, wires and other foreign objects.
- The spiral auger speed is directly related to engine speed. For maximum snow removal and discharge, maintain high engine r.p.m. (full throttle). It is advisable to operate the lawn tractor at a slow ground speed (1st gear) for safe and efficient snow removal.
- In deep, drifted or banked snow it will be necessary to use full throttle and a slow ground speed (1st gear). Drive forward into the snow, depress the tractor's clutch-brake pedal and allow the spiral auger to clear the snow. Repeat this method until a path is cleared. On the second pass, overlap the first enough to allow the snow thrower to handle the snow without repeated stopping and starting of forward motion.

- In extremely deep snow, raise the snow thrower from the ground to remove the top layer and drive forward only until the tractor's front tires reach the uncleared bottom layer of snow. Depress the tractor's clutch-brake pedal and allow the spiral auger to clear the snow. Reverse the tractor and lower the snow thrower to the ground. Drive the tractor forward until the snow again becomes too deep. Repeating this process into and out of drifts will eventually clear even the deepest of snow piles.
- If the snow thrower becomes clogged with snow or jammed with a foreign object, disengage the snow thrower immediately and shut off the tractor engine. Unclog the snow thrower before resuming operation.



DANGER: Shut off engine and disengage snow thrower before unclogging discharge chute. Unclog using a wooden stick, not your hands.

OPERATING TIPS

- Discharge snow down wind whenever possible.
- To help prevent snow from sticking to the snow thrower, allow the snow thrower to reach outdoor temperature before using it. A light coat of wax may also be applied to the inside surface of the snow thrower housing and discharge chute.
- Use tire chains to improve traction.
- Use rear wheel weights to improve traction.
- Before the first snowfall, remove all stones, sticks and other objects which could become hidden by the snow. Permanent obstacles should be marked for visibility.
- Overlap each pass slightly to assure complete snow removal.

MAINTENANCE

CUSTOMER RESPONSIBILITIES

- Read and follow the maintenance schedule and the maintenance procedures listed in this section.

MAINTENANCE SCHEDULE Fill in dates as you complete regular service.	Service Dates											
	Before each use	After each use	Every season	Before storage								
Check for loose fasteners	X											
Check belts for wear	X			X								
Check scraper and shoes for wear	X											
Cleaning		X		X								
Lubrication Section			X									

CHECK FOR LOOSE FASTENERS

- Before each use make a thorough visual check of the snow thrower for any bolts and nuts which may have loosened. Retighten any loose bolts and nuts.

CHECK BELTS FOR WEAR

- Visually check both of the "V" belts on the snow thrower for wear or damage. Replace if the belt cover has become torn, frayed or is worn through.

CHECK SCRAPER AND SHOES FOR WEAR

(Refer to figures 21 and 22 on page 16.)

- The scraper plate, skid shoes and leveling shoes on the snow thrower are subject to wear through normal use. To prevent damage to the spiral auger housing, replace plate and shoes before wear is excessive.

CLEANING

- Clean out any dirt and debris from auger and impeller after each use.
- Before storing at the end of each season rinse out the auger and impeller housing. Allow to dry thoroughly.
- Before storing at the end of the season, paint any exposed metal surfaces to protect from rust.

LUBRICATION

- Oil all pivot points on snow thrower lift mechanism.
- Oil upper and lower idler arm pivot points on the clutch/idler assembly.
- Apply a good grade of spray lubricant to the trigger assembly on the lift handle and the chute tilt control assembly and cables on the crank support tube. See figure 23.
- Apply a small amount of oil between the inside of the discharge chute and the top of the discharge opening on the auger housing as needed to maintain easy rotation of the discharge chute. See figure 23.

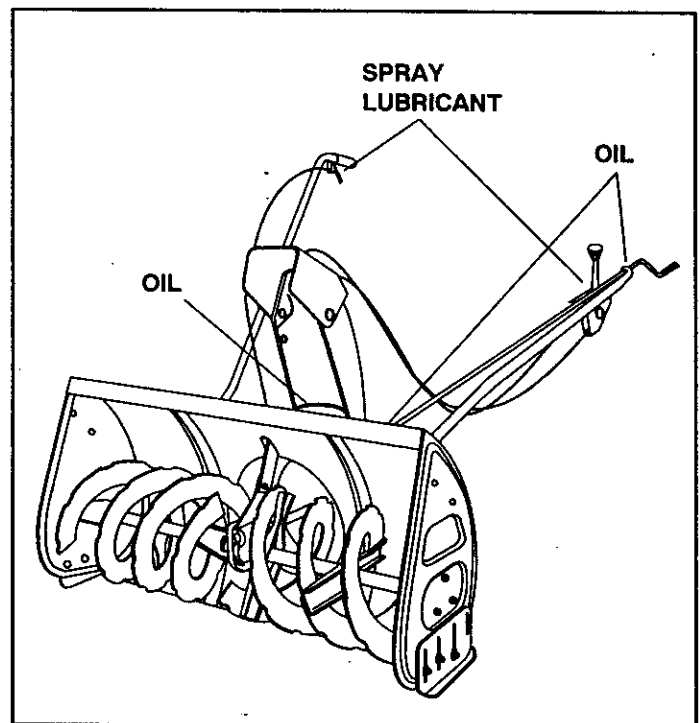


FIGURE 23



CAUTION: Before servicing or adjusting the snow thrower, shut off the engine, remove the spark plug wire(s), set the parking brake and remove the key from the tractor ignition.

REPLACING AUGER BELT

- Raise the snow thrower to the transport position.
- Release the spring tension on the drive belt idler.
- Release the spring tension on the auger belt idler.
- Remove the auger belt from the clutch/idler assembly and from the spiral auger housing.
- Install new belt over top of large auger drive pulley and underneath the two side idler pulleys. Twist the belt 1/4 turn to seat the "V" of the belt in the groove of each idler pulley.
- Assemble the belt onto the clutch/idler assembly as instructed for figure 18 on page 11.

LIFT RELEASE CABLE ADJUSTMENT

- If the lift rod does not lock the snow thrower securely in the transport position, loosen the upper hex nut on the lift bracket a few turns and tighten the lower hex nut. See figure 10 on page 8.
- If the lift rod fails to unlock completely to lower the snow thrower to the ground, loosen the lower hex nut on the lift bracket a few turns and tighten the upper hex nut. Refer to figure 10 on page 8.

SPIRAL AUGERS

- The spiral augers are secured to the auger shaft with two shear bolts and hex lock nuts. If you hit a foreign object or if ice jams the augers, the snow thrower is designed so that the bolts will shear.
- If the augers will not turn, check to see if the shear bolts have sheared. See figure 21. Two replacement shear bolts and hex lock nuts have been provided with the snow thrower. For future use order part number 710-0891 shear bolt and number 43064 hex lock nut.

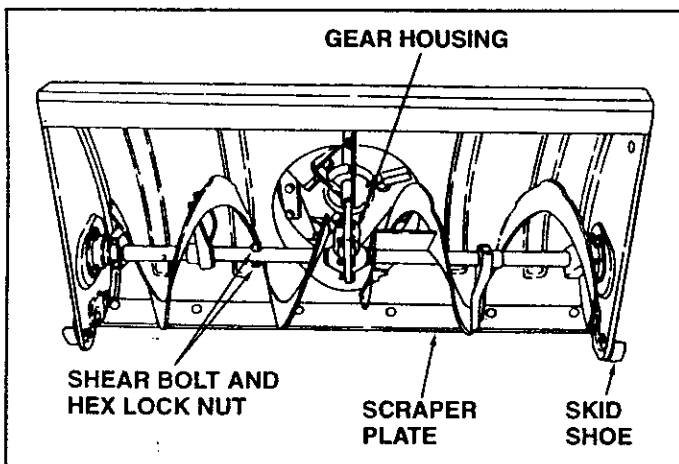


FIGURE 21

SKID SHOE, LEVELING SHOE ADJUSTMENT

(The snow thrower must be attached to the tractor for correct adjustment of the shoes.)

- The skid shoes regulate the distance the scraper plate is raised above the plowing surface. They are mounted on each side of the spiral auger housing. The leveling shoes help maintain the snow thrower in a level position. They are mounted just behind the auger housing.
- When removing snow from a gravel driveway or an uneven surface, it is advisable to keep the scraper plate as high above the surface as possible to prevent possible damage to the spiral auger. On a smooth blacktop or concrete surface, keep the scraper plate as close to the surface as possible.
- To adjust the skid shoes, raise the snow thrower off the ground and place a block under each end of the scraper plate. Loosen the six hex nuts securing the skid shoes to the housing. Adjust the skid shoes up or down to the desired position and tighten the nuts securely. Both skid shoes should be the same height to keep the housing and the scraper plate level. See figure 22.
- The skid shoes may be turned to face either in or out. In order to obtain the lowest setting, where the scraper blade fully contacts the ground, the skid shoes must be facing out as shown in figure 22.
- Before adjusting the leveling shoes, make sure the skid shoes are properly adjusted. With the snow thrower in the lowered position, loosen the bolts which fasten the leveling shoes to the thrower and adjust the leveling shoes to solidly contact the ground. Retighten the bolts. See figure 22.

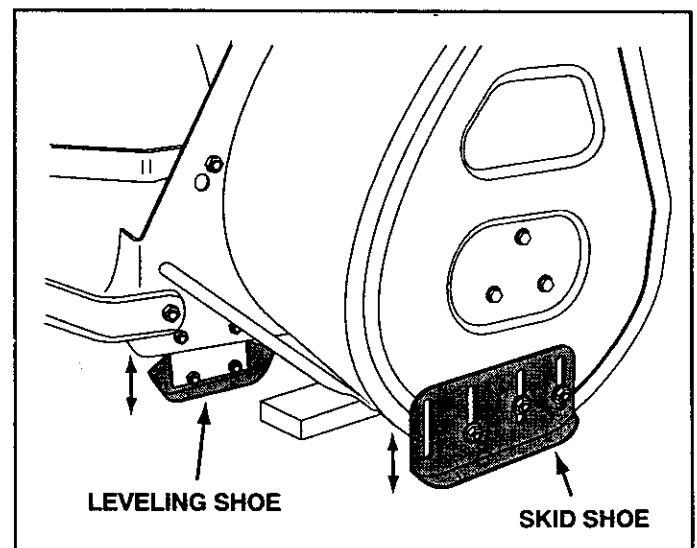


FIGURE 22

STORAGE

STORAGE RECOMMENDATIONS

- Lower the snow thrower to the ground and remove it from the tractor.
- Clean the snow thrower thoroughly. Wash off any salt deposits which may have dried on the thrower and housing.
- Any bare metal that has become exposed should be painted or coated with a light oil to prevent rust.
- Store in a dry place.

REMOVING THE SPIRAL AUGER HOUSING

- Raise the snow thrower to the transport position.
- Release the spring tension from the auger belt idler arm on the bottom of the clutch/idler assembly.
- Remove the auger drive belt from the clutch/idler assembly. See figure 18 on page 11.
- Lower the snow thrower to the ground.
- Remove the attachment pin and pull the auger housing assembly off of the tractor. Refer to figure 15 on page 10.

HINT: If the auger housing does not remove easily from the tractor, try placing 1" or 2" blocks of wood under the front skid shoes on the snow thrower. See the instructions for figure 15 on page 10.

PARTS TO REMOVE AT END OF SEASON

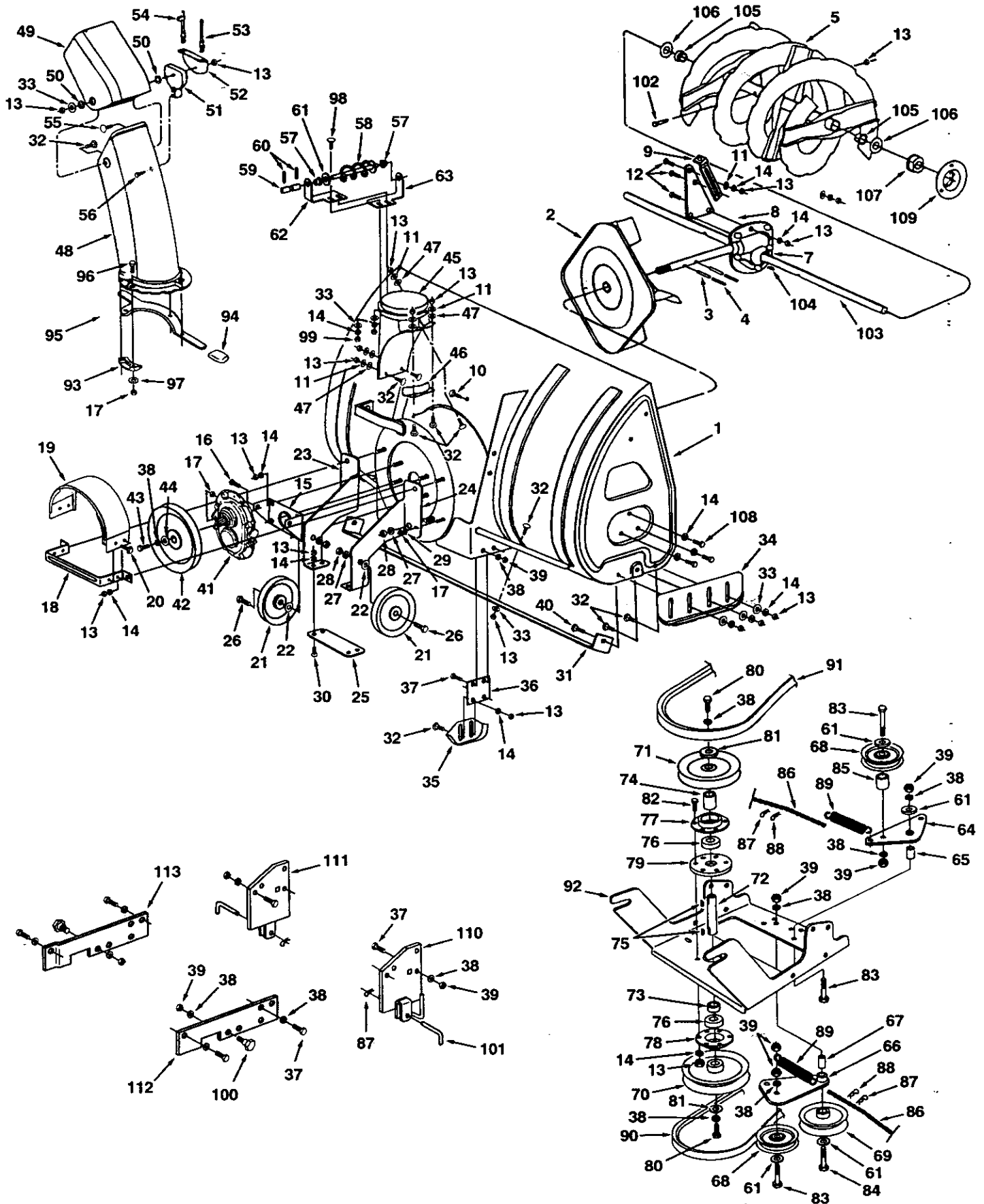
- Remove the "V" belt from the engine pulley and the clutch/idler assembly. See figure 16 on page 10.
- Remove the clutch/idler assembly. (The two hanger brackets and the two frame brackets should not create any interference with the mower deck and may be left attached to the tractor frame.)
- If a rear mounted attachment is to be used, remove the rear weight tray by removing the two bolts which fasten it to the tractor draw bar and by loosening the two bolts fastening the tray's brace arms to the tractor. Be sure to retighten the two bolts and nuts which fastened the brace arms to the tractor. See figure 19 on page 12.
- If a front mounted attachment is to be used, remove the side plates from the front of the tractor. Be sure to reassemble the removed bolts and nuts to the tractor frame. See figures 1 and 2 on page 6.

TROUBLESHOOTING

PROBLEM	CAUSE	CORRECTION
Spiral augers stop turning	<ol style="list-style-type: none"> 1. Upper or lower V belt too loose 2. Upper or lower V belt broken 3. Shear bolts are sheared. 	<ol style="list-style-type: none"> 1. Increase tension on V belt 2. Replace V belt 3. Replace shear bolts in auger
Clogged discharge chute	<ol style="list-style-type: none"> 1. Tractor ground speed too fast 2. Tractor throttle set too low 3. Snow too deep 4. Snow melts during contact with the snow thrower. 	<ol style="list-style-type: none"> 1. Use lower tractor gear 2. Increase to full throttle 3. Raise the snow thrower 4. Allow snow thrower to cool to outdoor temperature before using
Snow thrower stalls tractor engine	<ol style="list-style-type: none"> 1. Object jammed in spiral auger 2. Hard or heavy snow 	<ol style="list-style-type: none"> 1. Stop engine, disengage the snow thrower and clear the auger 2. Increase to full throttle and decrease ground speed
Front wheels slide instead of steering	Not enough traction at front wheels	<ol style="list-style-type: none"> 1. Lower skid shoes, raising scraper plate to reduce resistance 2. Pull down slightly on lift handle to temporarily increase weight on front wheels
Snow thrower rides up over snow	<ol style="list-style-type: none"> 1. Tractor ground speed too fast 2. Bottom snow is icy or hard packed 	<ol style="list-style-type: none"> 1. Reduce ground speed 2. Lower the skid shoes so that front of skid shoe is lower than the rear
Snow thrower rocks backward while blowing snow	Leveling shoes set too high	Adjust leveling shoes as instructed in Service and Adjustments section

PARTS

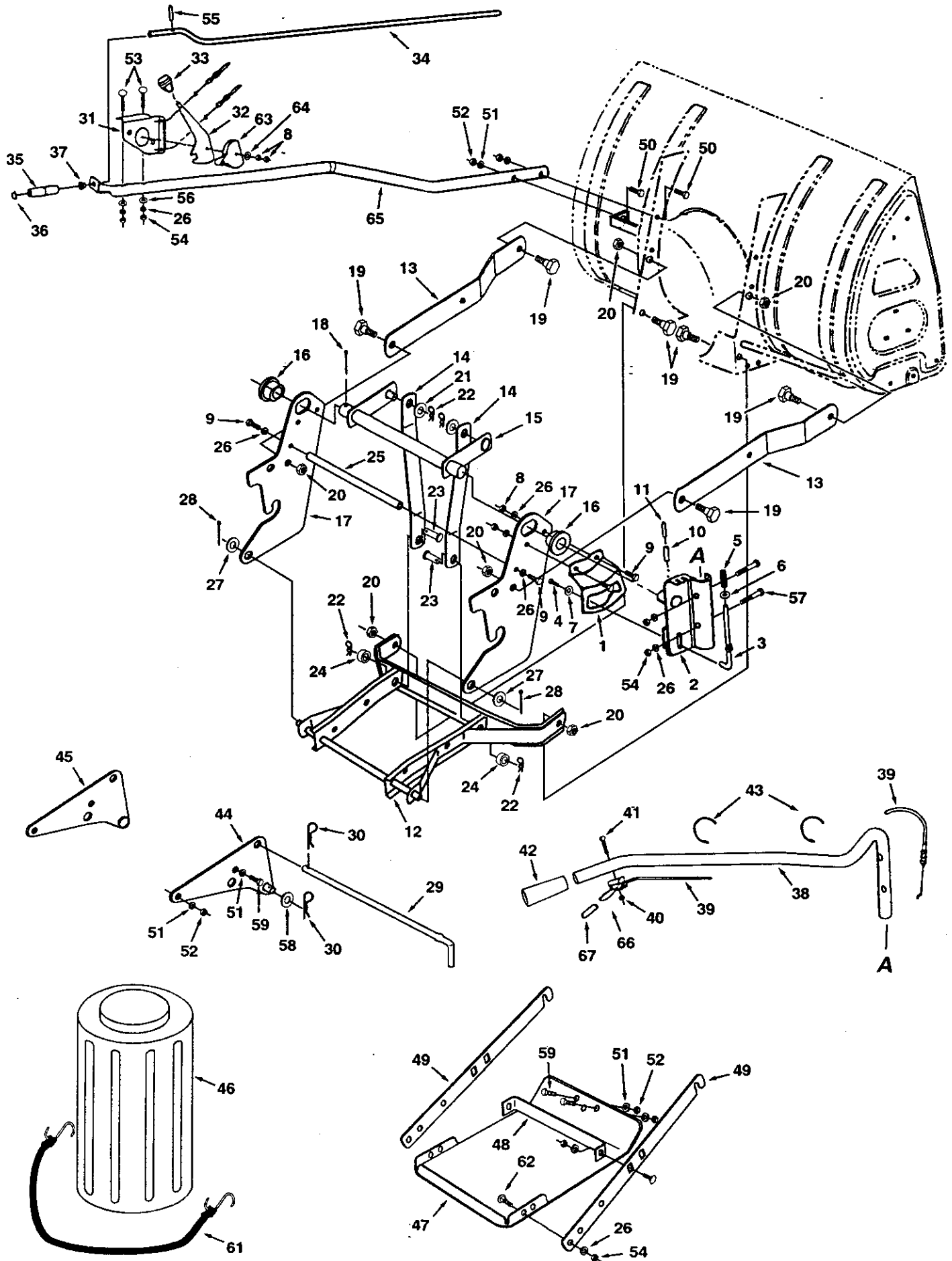
REPAIR PARTS FOR MODEL 486.248460 46" SNOW THROWER



REPAIR PARTS FOR MODEL 486.248460 46" SNOW THROWER

REF. NO.	PART NO.	QTY.	DESCRIPTION	REF. NO.	PART NO.	QTY.	DESCRIPTION
1	63576	1	Housing Assembly	58	684-0061	1	Chute Crank Assembly
2	63795	1	Impeller Assembly	59	784-5149	1	U-Joint
3	47368	2	Spring Pin, 5/16" x 1-3/4"	60	43850	2	Roll Pin, 1/8" x 5/8"
4	47369	2	Spring Pin, 3/16" x 1-3/4"	61	43070	5	Flat Washer, 3/8"
5	63772	1	Spiral Assembly, R.H.	62	24300	1	Chute Crank Bracket, Rear
6	63771	1	Spiral Assembly, L.H. (Not Shown)	63	24299	1	Chute Crank Bracket, Front
7	618-0244	1	Auger Gear Assembly	64	63767	1	Idler Arm Assembly
8	24308	1	Gear Housing Support Plate	65	24286	1	Pivot Spacer
9	784-5076	1	Gear Housing Support Bracket	66	63762	1	Idler Bracket Assembly
10	710-0726	1	Hex Screw, 5/16-12 x 3/4"	67	24472	1	Pivot Spacer
11	R19111116	7	Flat Washer, 11/32" x 11/16"	68	756-0405	2	Flat Pulley, 3-3/4"
12	43063	3	Hex Bolt, 5/16-18 x 1"	69	47044	1	V-Idler Pulley, 4"
13	43064	46	Hex Lock Nut, 5/16-18 Thd.	70	47064	1	V-Pulley, 5.9"
14	43086	44	Lockwasher, 5/16"	71	46982	1	V-Pulley, 5-1/2"
15	784-5703	1	Gear Box Mounting Bracket	72	738-0680	1	Shaft
16	43012	2	Hex Bolt, 1/4-20 x 3/4"	73	750-0456	1	Spacer
17	43013	10	Hex Lock Nut, 1/4-20 Thd.	74	750-0660	1	Spacer
18	703-2870	1	Belt Cover Bracket	75	714-0161	2	Key
19	703-2869	1	Belt Cover	76	741-0919	2	Ball Bearing
20	710-0653	4	Hex Screw, 1/4-20 x 3/8"	77	15296A	1	Bearing Housing, Open
21	756-3090	2	V-Pulley, 7" Idler	78	08253B	1	Bearing Housing
22	47351	2	Flat Washer, 1/2"	79	14088B	1	Spindle Spacer
23	24315	1	Fixed Idler Bracket	80	44377	2	Hex Bolt, 3/8-24 x 1"
24	24316	1	Pivot Idler Bracket	81	736-0247	2	Flat Washer, 3/8" x 1-1/4"
25	24378	1	Cross Tie Plate	82	43063	3	Hex Bolt, 5/16-18 x 1"
26	41596	2	Hex Bolt, 1/2-13 x 2"	83	43054	3	Hex Bolt, 3/8-16 x 2"
27	43353	4	Lockwasher, 1/2"	84	43432	1	Hex Bolt, 3/8-16 x 2-1/2"
28	43262	4	Hex Lock Nut, 1/2-13 Thd.	85	45133	1	Spacer
29	43177	2	Lockwasher, 1/4"	86	46963	2	Chain, Tensioning
30	43814	4	Truss Head Bolt, 5/16-18 x 3/4"	87	43343	4	Hair Cotter Pin, 1/8" #4
31	24309	1	Wear Plate	88	43055	2	Hair Cotter Pin, 3/32" #3
32	43080	21	Carriage Bolts, 5/16-18 x 3/4"	89	46959	2	Spring
33	43081	16	Flat Washer, 5/16"	90	46961	1	V-Belt, Auger
34	24279	2	Skid Shoe	91	46960	1	V-Belt, Drive
35	G586868	2	Leveling Shoe	92	24295	1	Clutch & Pulley Frame
36	24481	2	Skid Shoe Bracket	93	731-0851A	3	Chute Keeper
37	43001	12	Hex Bolt, 3/8-16 x 1"	94	1643-60	1	Plastic Grip
38	43003	21	Lockwasher, 3/8"	95	24482	1	Anti-Rotation Bracket
39	43082	15	Hex Lock Nut, 3/8"	96	43661	6	Hex Bolt, 1/4-20 x 1"
40	43079	2	Carriage Bolt, 5/16-18 x 1"	97	43088	6	Flat Washer, 1/4"
41	684-0113	1	Gear Box Assembly	98	43079	2	Carriage Bolt, 5/16-18 x 1"
42	756-3087	1	Pulley, 9"	99	43083	2	Hex Nut, 5/16-18 Thd.
43	710-0696	1	Hex Bolt, 3/8-24 x 7/8"	100	738-0234	2	Shoulder Bolt, 3/8-16 x 5/8"
44	736-0235	1	Flat Washer, 3/8" x 1-1/4"	101	43038	2	Pivot Lock Pin
45	731-1696	1	Discharge Chute Adapter	102	710-0891	4	Shear Bolt, 5/16-18 x 1-3/4"
46	784-5711	1	Chute Bracket, 6"	103	738-0492	1	Shaft, Spiral Axle
47	1543-69	5	Nylon Washer, 5/8"	104	714-0135	1	Woodruff Key, 1/4" x 3/4"
48	731-1318A	1	Lower Discharge Chute	105	741-0494	4	Flange Bushing
49	731-0849	1	Upper Discharge Chute	106	736-0250	4	Flat Washer, 1" x 1-3/4"
50	731-1319	2	Chute Pivot Spacer	107	741-0192	2	Flange Bearing W/Flats
51	731-1313B	1	Cable Guide	108	46703	6	Boit, Self Thd. 5/16-18 x 3/4"
52	784-5594	1	Cable Bracket	109	05845A	2	Bearing Housing
53	746-0928	1	Chute Control Cable	110	63572	1	Hanger Bracket Assembly, R.H.
54	746-0929	1	Chute Control Cable w/Clip	111	63571	1	Hanger Bracket Assembly, L.H.
55	43681	1	Carriage Bolt, 5/16-18 x 1-1/2"	112	23924	1	Frame Bracket, R.H.
56	710-0896	1	Hex Screw, 1/4-14 x 5/8"	113	23923	1	Frame Bracket, L.H.
57	741-0475	2	Plastic Bushing, 3/8"		47069	1	Owner's Manual

REPAIR PARTS FOR MODEL 486.248460 46" SNOW THROWER



REPAIR PARTS FOR MODEL 486.248460 46" SNOW THROWER

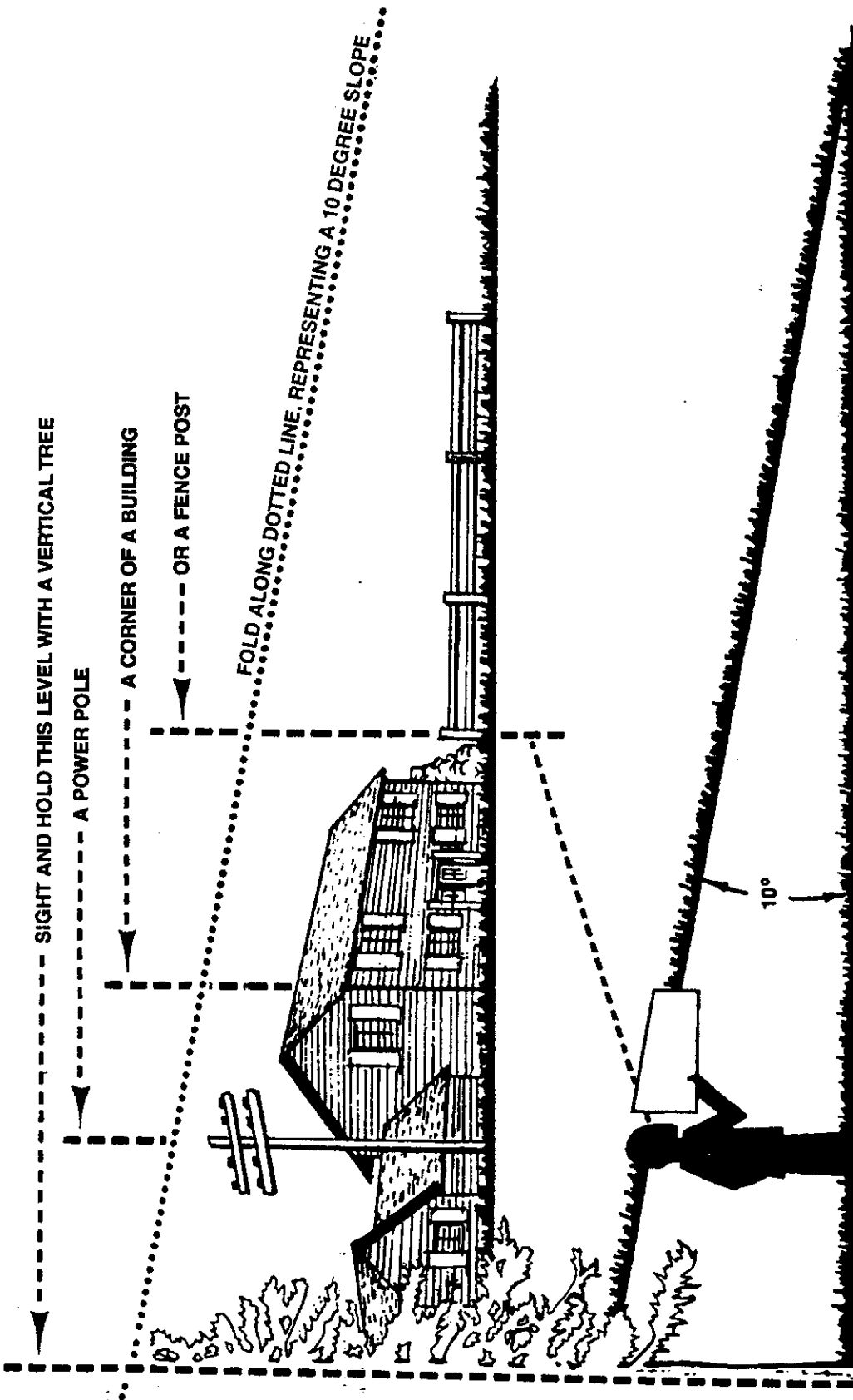
REF. NO.	PART NO.	QTY.	DESCRIPTION	REF. NO.	PART NO.	QTY.	DESCRIPTION
1	24298	1	Lift Bracket	34	46957	1	Chute Crank Rod
2	63773	1	Handle Lift Bracket Assembly	35	720-0201A	1	Knob, Crank
3	747-3248A	1	Index Lift Rod	36	44917	2	Palnut, 3/8"
4	47277	1	Hex Screw, #10 x 1/2"	37	741-0475	1	Plastic Bushing, 3/8"
5	732-0306	1	Compression Spring	38	47339	1	Lift Handle Tube
6	R19131316	1	Flat Washer, 13/32" x 13/16"	39	746-3060	1	Lift Cable and Trigger Assembly
7	736-0400	1	Flat Washer, 3/16" x 5/8"	40	712-0127	1	Flat Weld Nut, #10-24 Thd.
8	43064	2,2	Hex Lock Nut, 5/16-18 Thd.	41	710-1233	1	Oval Screw, #10-24 x 1"
9	43063	2,2	Hex Bolt, 5/16-18 x 1"	42	46446	1	Handle Grip
10	47368	1	Spring Pin, 5/16" x 1-3/4"	43	726-0178	2	Plastic Tie
11	47369	1	Spring Pin, 3/16" x 1-3/4"	44	63568	1	Side Plate Assembly, R.H.
12	603-0365	1	Frame Assembly	45	63569	1	Side Plate Assembly, L.H.
13	784-5706	2	Upper Link	46	47033	1	Weight Keg
14	24310	2	Lift Link	47	24331	1	Weight Tray
15	63675	1	Lift Arm Assembly	48	24288	1	Cross Brace, Weight Tray
16	741-0192	2	Flange Bearing W/ Flats	49	23812	2	Brace Arm, Side
17	24312	2	Mounting Bracket	50	43062	2	Hex Bolt, 3/8-16 x 1-1/2"
18	43093	1	Cotter Pin, 1/8" x 1-1/2"	51	43003	8	Lockwasher, 3/8"
19	47363	6	Shoulder Bolt, 5/8" x 5/16"	52	43082	6	Hex Lock Nut, 3/8-16 Thd.
20	712-0346	6	Hex Lock Jam Nut, 1/2-20 Thd.	53	44215	2	Carriage Bolt, 5/16-18 x 1-3/4"
21	R19171616	2	Flat Washer, 17/32" x 1"	54	43083	8	Hex Nut, 5/16-18 Thd.
22	43055	4	Hair Cotter Pin, 3/32" #3	55	43850	1	Roll Pin, 1/8" x 5/8"
23	44062	2	Clevis Pin, 1/2" x 1"	56	44695	2	Bowed Washer
24	47364	2	Spacer	57	43084	2	Hex Bolt, 5/16-18 x 1-3/4"
25	24418	1	Bracket Support Rod	58	43009	2	Flat Washer, 3/4"
26	43086	2,2,8	Lockwasher, 5/16"	59	43001	4	Hex Bolt, 3/8-16 x 1"
27	R19212016	2	Flat Washer, 21/32" x 1-1/4"	61	43790	1	Tarp Strap
28	43010	2	Cotter Pin, 1/8" x 1"	62	43079	4	Carriage Bolt, 5/16-18 x 1"
29	47066	1	Attachment Pin	63	731-1313B	2	Cable Guide
30	43343	1,2	Hair Cotter Pin, 1/8" #4	64	43081	1	Flat Washer, 5/16"
31	603-0302	1	Chute Tilt Bracket Assembly	65	46956	1	Crank Support Tube
32	784-5604	1	Chute Tilt Handle	66	63755	1	Cable Release Trigger Assembly
33	720-0232	1	Knob	67	47317	1	Plastic Cap

NOTES

SLOPE GUIDE

(Keep this sheet in a safe place for future reference.)

Use this guide to determine if a slope is safe for the operation of your tractor and snow thrower. Refer also to the instructions in your vehicle owners manual.



CAUTION: DO NOT OPERATE YOUR TRACTOR AND SNOW THROWER ON A SLOPE IN EXCESS OF 10 DEGREES. BE SURE OF YOUR TRACTOR'S TOWING AND BRAKING CAPABILITIES BEFORE OPERATING ON A SLOPE. AVOID ANY SUDDEN TURNS OR MANEUVERS WHILE ON A SLOPE.



For in-home major brand repair service:

Call 24 hours a day, 7 days a week

1-800-4-MY-HOMESM (1-800-469-4663)

Para pedir servicio de reparación a domicilio – 1-800-676-5811

In Canada for all your service and parts needs call – **1-800-665-4455**
Au Canada pour tout le service ou les pièces

For the repair or replacement parts you need:

Call 7 am – 7 pm, 7 days a week

1-800-366-PART (1-800-366-7278)

Para ordenar piezas con entrega a domicilio – 1-800-659-7084

For the location of a Sears Parts and Repair Center in your area:

Call 24 hours a day, 7 days a week

1-800-488-1222

**For information on purchasing a Sears Maintenance Agreement
or to inquire about an existing Agreement:**

Call 9 am – 5 pm, Monday – Saturday

1-800-827-6655



The Service Side of SearsSM