

# DELTA®

20-950

## 20" Floor Model Drill Press

La perceuse à  
colonne de 508  
mm (20 po)

Prensa de taladro  
de 508 mm (20"),  
modelo de apoyo  
sobre el suelo

Instruction Manual  
Manuel d'Utilisation  
Manual de Instrucciones

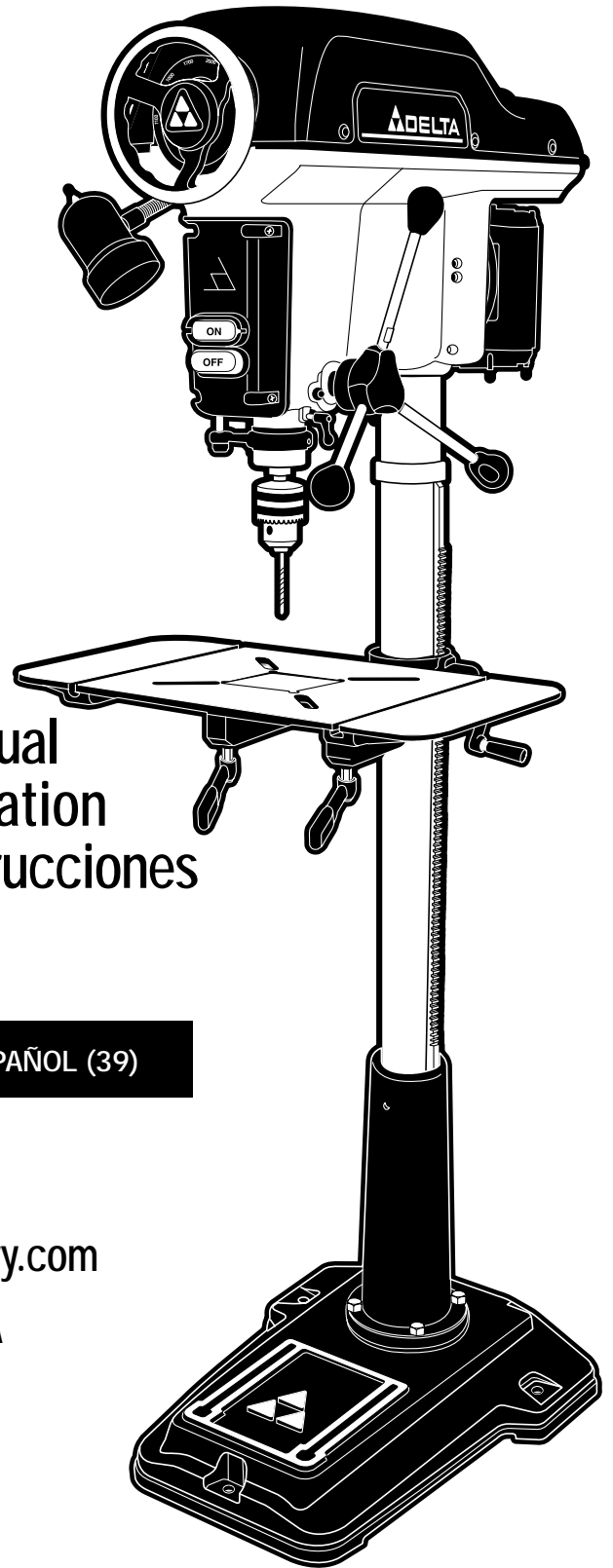
FRANÇAIS (21)

ESPAÑOL (39)

[www.deltamachinery.com](http://www.deltamachinery.com)

(800) 223-7278 - US

(800) 463-3582 - CANADA



# TABLE OF CONTENTS

IMPORTANT SAFETY INSTRUCTIONS .....	2	TROUBLESHOOTING .....	16
SAFETY GUIDELINES - DEFINITIONS .....	3	MAINTENANCE.....	16
GENERAL SAFETY RULES .....	4	SERVICE.....	16
ADDITIONAL SPECIFIC SAFETY RULES .....	5	ACCESSORIES.....	17
FUNCTIONAL DESCRIPTION .....	6	WARRANTY.....	17
CARTON CONTENTS .....	7	FRANÇAIS .....	18
ASSEMBLY .....	8	ESPAÑOL.....	34
OPERATION .....	12		

## IMPORTANT SAFETY INSTRUCTIONS

**▲ WARNING:** Read and understand all warnings and operating instructions before using any tool or equipment. Always follow basic safety precautions to reduce the risk of personal injury. Improper operation, maintenance, or modification of tools or equipment could result in serious injury and property damage. Our tools and equipment are designed for certain applications. **DO NOT** modify and/or use this product for any application other than that for which it was designed.



If you have any questions relative to its application **DO NOT** use the product until you have written Delta Machinery and we have advised you. Contact us online at [www.deltamachinery.com](http://www.deltamachinery.com) or by mail at Technical Service Manager, Delta Machinery, 4825 Highway 45 North, Jackson, TN 38305. In Canada, 125 Mural St. Suite 300, Richmond Hill, ON, L4B 1M4)

Information regarding the safe and proper operation of this tool is available from the following sources:

- Power Tool Institute, 1300 Sumner Avenue, Cleveland, OH 44115-2851 or online at [www.powertoolinstitute.org](http://www.powertoolinstitute.org)
- National Safety Council, 1121 Spring Lake Drive, Itasca, IL 60143-3201
- American National Standards Institute, 25 West 43rd Street, 4 floor, New York, NY 10036 [www.ansi.org](http://www.ansi.org) - ANSI O1.1 Safety Requirements for Woodworking Machines
- U.S. Department of Labor regulations [www.osha.gov](http://www.osha.gov)

**SAVE THESE INSTRUCTIONS!**

## SAFETY GUIDELINES - DEFINITIONS

It is important for you to read and understand this manual. The information it contains relates to protecting YOUR SAFETY and PREVENTING PROBLEMS. The symbols below are used to help you recognize this information.

**▲ DANGER:** Indicates an imminently hazardous situation which, if not avoided, **will** result in **death or serious injury**.

**▲ WARNING:** Indicates a potentially hazardous situation which, if not avoided, **could** result in **death or serious injury**.

**▲ CAUTION:** Indicates a potentially hazardous situation which, if not avoided, **may** result in **minor or moderate injury**.

**CAUTION:** Used without the safety alert symbol indicates a potentially hazardous situation which, if not avoided, **may** result in **property damage**.

### CALIFORNIA PROPOSITION 65

**▲ WARNING:** Some dust created by power sanding, sawing, grinding, drilling, and other construction activities contains chemicals known to cause cancer, birth defects or other reproductive harm. Some examples of these chemicals are:

- lead from lead-based paints,
- crystalline silica from bricks and cement and other masonry products, and
- arsenic and chromium from chemically-treated lumber.

Your risk from these exposures varies, depending on how often you do this type of work. To reduce your exposure to these chemicals: work in a well ventilated area, and work with approved safety equipment, always wear NIOSH/OSHA approved, properly fitting face mask or respirator when using such tools.

# GENERAL SAFETY RULES

**⚠ WARNING:** Failure to follow these rules may result in serious personal injury.

- 1. FOR YOUR OWN SAFETY, READ THE INSTRUCTION MANUAL BEFORE OPERATING THE MACHINE.** Learning the machine's application, limitations, and specific hazards will greatly minimize the possibility of accidents and injury.
- 2. WEAR EYE AND HEARING PROTECTION. ALWAYS USE SAFETY GLASSES.** Everyday eyeglasses are NOT safety glasses. USE CERTIFIED SAFETY EQUIPMENT. Eye protection equipment should comply with ANSI Z87.1 standards. Hearing equipment should comply with ANSI S3.19 standards.
- 3. WEAR PROPER APPAREL.** Do not wear loose clothing, gloves, neckties, rings, bracelets, or other jewelry which may get caught in moving parts. Non-slip protective footwear is recommended. Wear protective hair covering to contain long hair.
- 4. DO NOT USE THE MACHINE IN A DANGEROUS ENVIRONMENT.** The use of power tools in damp or wet locations or in rain can cause shock or electrocution. Keep your work area well-lit to prevent tripping or placing arms, hands, and fingers in danger.
- 5. MAINTAIN ALL TOOLS AND MACHINES IN PEAK CONDITION.** Keep tools sharp and clean for best and safest performance. Follow instructions for lubricating and changing accessories. Poorly maintained tools and machines can further damage the tool or machine and/or cause injury.
- 6. CHECK FOR DAMAGED PARTS.** Before using the machine, check for any damaged parts. Check for alignment of moving parts, binding of moving parts, breakage of parts, and any other conditions that may affect its operation. A guard or any other part that is damaged **should be properly repaired or replaced with Delta or factory authorized replacement parts.** Damaged parts can cause further damage to the machine and/or injury.
- 7. KEEP THE WORK AREA CLEAN.** Cluttered areas and benches invite accidents.
- 8. KEEP CHILDREN AND VISITORS AWAY.** Your shop is a potentially dangerous environment. Children and visitors can be injured.
- 9. REDUCE THE RISK OF UNINTENTIONAL STARTING.** Make sure that the switch is in the "OFF" position before plugging in the power cord. In the event of a power failure, move the switch to the "OFF" position. An accidental start-up can cause injury. Do not touch the plug's metal prongs when unplugging or plugging in the cord.
- 10. USE THE GUARDS.** Check to see that all guards are in place, secured, and working correctly to prevent injury.
- 11. REMOVE ADJUSTING KEYS AND WRENCHES BEFORE STARTING THE MACHINE.** Tools, scrap pieces, and other debris can be thrown at high speed, causing injury.
- 12. USE THE RIGHT MACHINE.** Don't force a machine or an attachment to do a job for which it was not designed. Damage to the machine and/or injury may result.
- 13. USE RECOMMENDED ACCESSORIES.** The use of accessories and attachments not recommended by Delta may cause damage to the machine or injury to the user.
- 14. USE THE PROPER EXTENSION CORD.** Make sure your extension cord is in good condition. When using an extension cord, be sure to use one heavy enough to carry the current your product will draw. An undersized cord will cause a drop in line voltage, resulting in loss of power and overheating. See the Extension Cord Chart for the correct size depending on the cord length and nameplate ampere rating. If in doubt, use the next heavier gauge. The smaller the gauge number, the heavier the cord.
- 15. SECURE THE WORKPIECE.** Use clamps or a vise to hold the workpiece when practical. Loss of control of a workpiece can cause injury.
- 16. FEED THE WORKPIECE AGAINST THE DIRECTION OF THE ROTATION OF THE BLADE, CUTTER, OR ABRASIVE SURFACE.** Feeding it from the other direction will cause the workpiece to be thrown out at high speed.
- 17. DON'T FORCE THE WORKPIECE ON THE MACHINE.** Damage to the machine and/or injury may result.
- 18. DON'T OVERREACH.** Loss of balance can make you fall into a working machine, causing injury.
- 19. NEVER STAND ON THE MACHINE.** Injury could occur if the tool tips, or if you accidentally contact the cutting tool.
- 20. NEVER LEAVE THE MACHINE RUNNING UNATTENDED. TURN THE POWER OFF.** Don't leave the machine until it comes to a complete stop. A child or visitor could be injured.
- 21. TURN THE MACHINE "OFF", AND DISCONNECT THE MACHINE FROM THE POWER SOURCE** before installing or removing accessories, changing cutters, adjusting or changing set-ups. When making repairs, be sure to lock the start switch in the "OFF" position. An accidental start-up can cause injury.
- 22. MAKE YOUR WORKSHOP CHILDPROOF WITH PADLOCKS, MASTER SWITCHES, OR BY REMOVING STARTER KEYS.** The accidental start-up of a machine by a child or visitor could cause injury.
- 23. STAY ALERT, WATCH WHAT YOU ARE DOING, AND USE COMMON SENSE. DO NOT USE THE MACHINE WHEN YOU ARE TIRED OR UNDER THE INFLUENCE OF DRUGS, ALCOHOL, OR MEDICATION.** A moment of inattention while operating power tools may result in injury.
- 24. ⚠ WARNING: USE OF THIS TOOL CAN GENERATE AND DISBURSE DUST OR OTHER AIRBORNE PARTICLES, INCLUDING WOOD DUST, CRYSTALLINE SILICA DUST AND ASBESTOS DUST.** Direct particles away from face and body. Always operate tool in well ventilated area and provide for proper dust removal. Use dust collection system wherever possible. Exposure to the dust may cause serious and permanent respiratory or other injury, including silicosis (a serious lung disease), cancer, and death. Avoid breathing the dust, and avoid prolonged contact with dust. Allowing dust to get into your mouth or eyes, or lay on your skin may promote absorption of harmful material. Always use properly fitting NIOSH/OSHA approved respiratory protection appropriate for the dust exposure, and wash exposed areas with soap and water.

# ADDITIONAL SPECIFIC SAFETY RULES

**⚠ WARNING** RISK OF UNSAFE OPERATION. Failure to follow these rules may result in serious injury.

1. **DO NOT OPERATE THIS MACHINE** until it is completely assembled and installed according to the instructions. A machine incorrectly assembled can cause serious injury.
2. **OBTAIN ADVICE** from your supervisor, instructor, or another qualified person if you are not thoroughly familiar with the operation of this machine. Knowledge is safety.
3. **FOLLOW ALL WIRING CODES** and recommended electrical connections to prevent shock or electrocution.
4. **SECURE THE MACHINE TO A SUPPORTING SURFACE.** Vibration can cause the machine to slide, walk, or tip over.
5. **NEVER START THE MACHINE BEFORE CLEARING THE TABLE OF ALL OBJECTS** (tools, scrap pieces, etc.). Debris can be thrown at high speed.
6. **NEVER START THE MACHINE** with the drill bit, cutting tool, or sanding drum against the workpiece. Loss of control of the workpiece can cause serious injury.
7. **PROPERLY LOCK THE DRILL BIT, CUTTING TOOL, OR SANDING DRUM IN THE CHUCK** before operating this machine.
8. **REMOVE THE CHUCK KEY BEFORE STARTING THE MACHINE.** The chuck key can be thrown out at a high speed.
9. **TIGHTEN ALL LOCK HANDLES** before starting the machine. Loss of control of the workpiece can cause serious injury.
10. **USE ONLY DRILL BITS, CUTTING TOOLS, SANDING DRUMS, OR OTHER ACCESSORIES** with shank size recommended in your instruction manual. The wrong size accessory can cause damage to the machine and/or serious injury.
11. **USE ONLY DRILL BITS, CUTTING TOOLS, OR SANDING DRUMS** that are not damaged. Damaged items can cause malfunctions that lead to injuries.
12. **USE RECOMMENDED SPEEDS** for all operations. Other speeds may cause the machine to malfunction causing damage to the machine and/or serious injury.
13. **AVOID AWKWARD OPERATIONS AND HAND POSITIONS.** A sudden slip could cause a hand to move into the bit.
14. **KEEP ARMS, HANDS, AND FINGERS** away from the bit. Serious injury to the hand can occur.
15. **HOLD THE WORKPIECE FIRMLY AGAINST THE TABLE.** Do not attempt to drill a workpiece that does not have a flat surface against the table, or that is not secured by a vise. Prevent the workpiece from rotating by clamping it to the table or by securing it against the drill press column. Loss of control of the workpiece can cause serious injury.
16. **TURN THE MACHINE "OFF" AND WAIT FOR THE DRILL BIT, CUTTING TOOL, OR SANDING DRUM TO STOP TURNING** prior to cleaning the work area, removing debris, removing or securing workpiece, or changing the angle of the table. A moving drill bit, cutting tool, or sanding drum can cause serious injury.
17. **PROPERLY SUPPORT LONG OR WIDE** work-pieces. Loss of control of the workpiece can cause severe injury.
18. **NEVER PERFORM LAYOUT, ASSEMBLY OR SET-UP WORK** on the table/work area when the machine is running. Serious injury can result.
19. **TURN THE MACHINE "OFF"**, disconnect the machine from the power source, and clean the table/work area before leaving the machine. **LOCK THE SWITCH IN THE "OFF" POSITION** to prevent unauthorized use. Someone else might accidentally start the machine and cause serious injury to themselves.
20. **ADDITIONAL INFORMATION** regarding the safe and proper operation of power tools (i.e. a safety video) is available from the Power Tool Institute, 1300 Sumner Avenue, Cleveland, OH 44115-2851 ([www.powertoolinstitute.com](http://www.powertoolinstitute.com)). Information is also available from the National Safety Council, 1121 Spring Lake Drive, Itasca, IL 60143-3201. Please refer to the American National Standards Institute ANSI 01.1 Safety Requirements for Woodworking Machines and the U.S. Department of Labor OSHA 1910.213 Regulations.

## SAVE THESE INSTRUCTIONS.

Refer to them often  
and use them to instruct others.

## POWER CONNECTIONS

A separate electrical circuit should be used for your machines. This circuit should not be less than #12 wire and should be protected with a 20 Amp time lag fuse. If an extension cord is used, use only 3-wire extension cords which have 3-prong grounding type plugs and matching receptacle which will accept the machine's plug. Before connecting the machine to the power line, make sure the switch (s) is in the "OFF" position and be sure that the electric current is of the same characteristics as indicated on the machine. All line connections should make good contact. Running on low voltage will damage the machine.

**⚠ DANGER** Electrocutation hazard. Do not expose the machine to rain or operate the machine in damp locations.

## MOTOR SPECIFICATIONS

Your machine is wired for 120/240 Volts 60 HZ alternating current. Before connecting the machine to the power source, make sure the switch is in the "OFF" position.

## GROUNDING INSTRUCTIONS

**⚠ DANGER** Electrocutation hazard. This machine must be grounded while in use to protect the operator from electric shock.

### 1. All grounded, cord-connected machines:

In the event of a malfunction or breakdown, grounding provides a path of least resistance for electric current to reduce the risk of electric shock. This machine is equipped with an electric cord having an equipment-grounding conductor and a grounding plug. The plug must be plugged into a matching outlet that is properly installed and grounded in accordance with all local codes and ordinances.

Do not modify the plug provided - if it will not fit the outlet, have the proper outlet installed by a qualified electrician.

Improper connection of the equipment-grounding conductor can result in risk of electric shock. The conductor with insulation having an outer surface that is green with or without yellow stripes is the equipment-grounding conductor. If repair or replacement of the electric cord or plug is necessary, do not connect the equipment-grounding conductor to a live terminal.

Check with a qualified electrician or service personnel if the grounding instructions are not completely understood, or if in doubt as to whether the machine is properly grounded.

Use only 3-wire extension cords that have 3-prong grounding type plugs and matching 3-conductor receptacles that accept the machine's plug, as shown in Fig. A.

Repair or replace damaged or worn cord immediately.

### 2. Grounded, cord-connected machines intended for use on a supply circuit having a nominal rating less than 150 volts:

If the machine is intended for use on a circuit that has an outlet that looks like the one illustrated in Fig. A, the machine will have a grounding plug that looks like the plug illustrated in Fig. A. A temporary adapter which looks like the adapter illustrated in Fig. B may be used to connect this plug to a matching 2-conductor receptacle as shown in Fig. B if a properly grounded outlet is not available. The temporary adapter should be used only until a properly grounded outlet can be installed by a qualified electrician. The green-colored rigid ear, lug, and the like, extending from the adapter must be connected to a permanent ground such as a properly grounded outlet box. Whenever the adapter is used, it must be held in place with a metal screw.

**NOTE:** In Canada, the use of a temporary adapter is not permitted by the Canadian Electric Code.

**⚠ DANGER** Electrocutation hazard. In all cases, make certain that the receptacle in question is properly grounded. If you are not sure, have a qualified electrician check the receptacle.

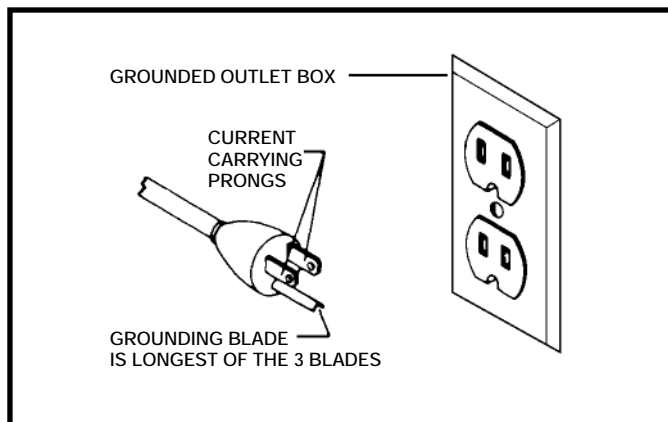


Fig. A

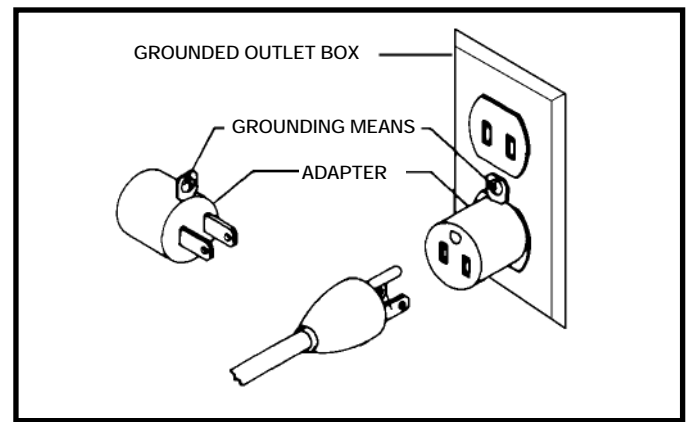


Fig. B

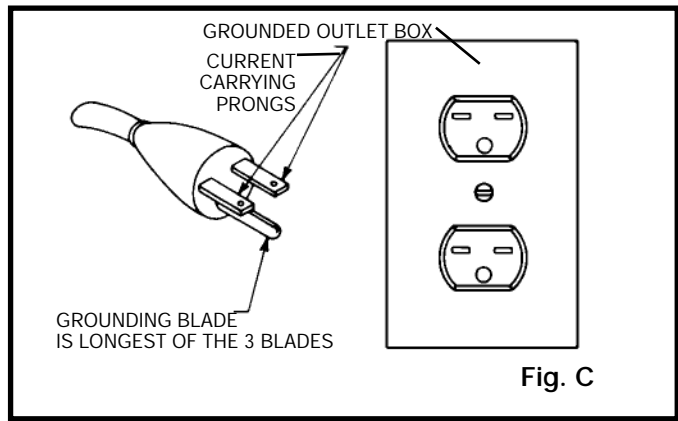
### 3. 240 VOLT SINGLE PHASE OPERATION

The motor supplied with your machine is a dual voltage, 120/240 volt motor. It is shipped ready-to-run for 120 volt operation. However, it can be converted for 240 volt operation.

A qualified electrician should do the conversion, or the machine can be taken to an Authorized Delta Service Center. When completed, the machine must conform to the National Electric Code and all local codes and ordinances.

The machine is converted by re-wiring the motor for 240 volts, installing a 240 volt plug on the power supply cord and replacing the switch (if necessary) with one that is rated for 240 volt operation.

Be sure the 240 volt plug is only used in an outlet having the same configuration as the plug illustrated in Fig. C. No adapter should be used with the 240 volt plug.



**⚠ DANGER:** In all cases, make certain that the receptacle in question is properly grounded. If you are not sure, have a qualified electrician check the receptacle.

### EXTENSION CORDS

**⚠ WARNING** Use proper extension cords. Make sure your extension cord is in good condition and is a 3-wire extension cord which has a 3-prong grounding type plug and matching receptacle which will accept the machine's plug. When using an extension cord, be sure to use one heavy enough to carry the current of the machine. An undersized cord will cause a drop in line voltage, resulting in loss of power and overheating. Fig. D-1 or D-2, shows the correct gauge to use depending on the cord length. If in doubt, use the next heavier gauge. The smaller the gauge number, the heavier the cord.

MINIMUM GAUGE EXTENSION CORD			
RECOMMENDED SIZES FOR USE WITH STATIONARY ELECTRIC MACHINES			
Ampere Rating	Volts	Total Length of Cord in Feet	Gauge of Extension Cord
0-6	120	up to 25	18 AWG
0-6	120	25-50	16 AWG
0-6	120	50-100	16 AWG
0-6	120	100-150	14 AWG
6-10	120	up to 25	18 AWG
6-10	120	25-50	16 AWG
6-10	120	50-100	14 AWG
6-10	120	100-150	12 AWG
10-12	120	up to 25	16 AWG
10-12	120	25-50	16 AWG
10-12	120	50-100	14 AWG
10-12	120	100-150	12 AWG
12-16	120	up to 25	14 AWG
12-16	120	25-50	12 AWG
12-16	120	GREATER THAN 50 FEET NOT RECOMMENDED	

Fig. D-1

MINIMUM GAUGE EXTENSION CORD			
RECOMMENDED SIZES FOR USE WITH STATIONARY ELECTRIC MACHINES			
Ampere Rating	Volts	Total Length of Cord in Feet	Gauge of Extension Cord
0-6	240	up to 50	18 AWG
0-6	240	50-100	16 AWG
0-6	240	100-200	16 AWG
0-6	240	200-300	14 AWG
6-10	240	up to 50	18 AWG
6-10	240	50-100	16 AWG
6-10	240	100-200	14 AWG
6-10	240	200-300	12 AWG
10-12	240	up to 50	16 AWG
10-12	240	50-100	16 AWG
10-12	240	100-200	14 AWG
10-12	240	200-300	12 AWG
12-16	240	up to 50	14 AWG
12-16	240	50-100	12 AWG
12-16	240	GREATER THAN 100 FEET NOT RECOMMENDED	

Fig. D-2

## FUNCTIONAL DESCRIPTION

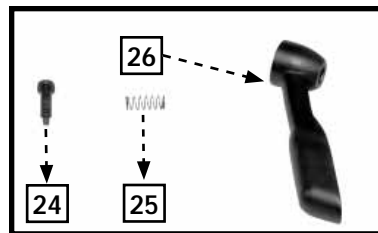
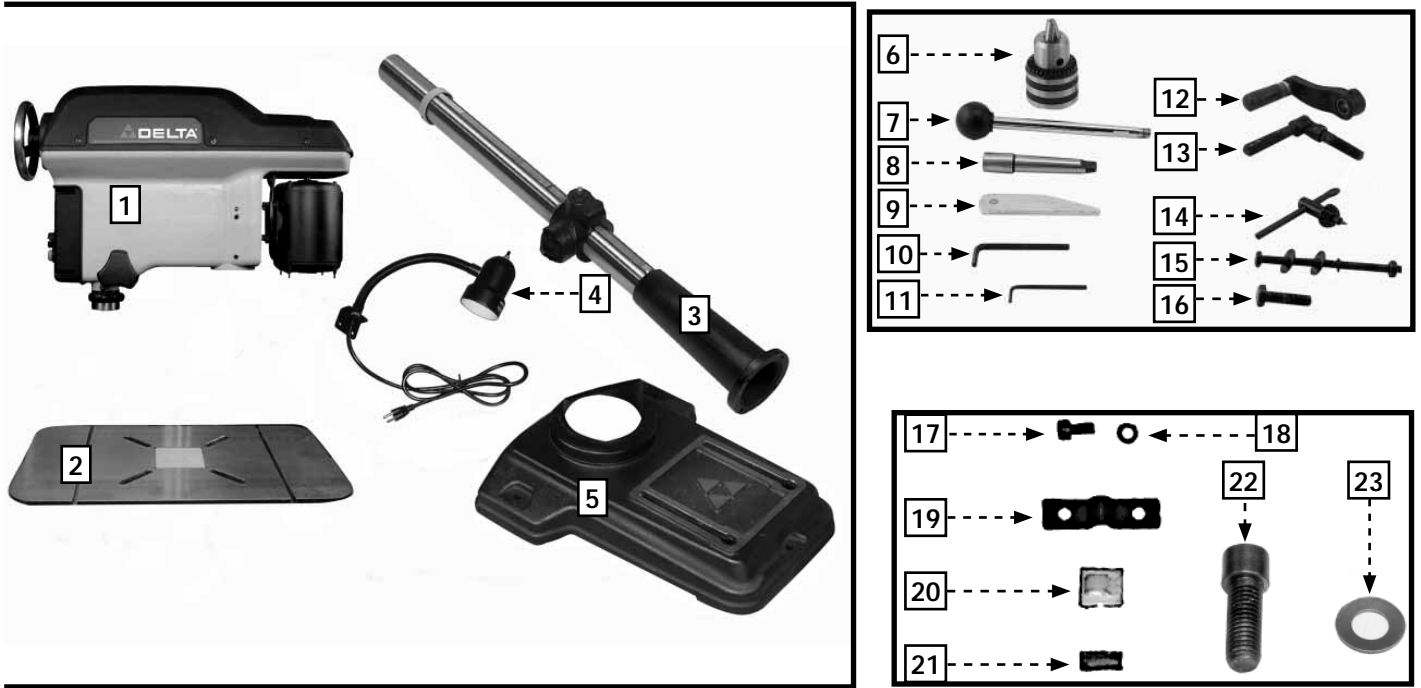
### FOREWORD

The Delta 20-950 drill press is a 20" drill press. This heavy-duty machine has a 1 HP, 120/240V induction motor, 5/8" capacity chuck and key, cast iron table, rack and pinion elevation mechanism, and an external depth stop. The 20-950 has a tilting table for angle drilling. Side edges and parallel slots are provided for fast workpiece clamping.

**NOTICE:** The photo on the manual cover illustrates the current production model. All other illustrations contained in the manual are representative only and may not depict the actual labeling or accessories included. These are intended to illustrate technique only.



# CARTON CONTENTS



- |  |   |
|--|---|
| <ol style="list-style-type: none"> <li>1. Drill Press Head</li> <li>2. Table</li> <li>3. Table Bracket and Column</li> <li>4. Light</li> <li>5. Base</li> <li>6. Chuck</li> <li>7. Handle (3)</li> <li>8. Spindle Adapter</li> <li>9. Drift Key</li> <li>10. 5mm Hex Wrench</li> <li>11. 3mm Hex Wrench</li> <li>12. Table Raising and Lowering Handle</li> <li>13. Table Clamp Handle</li> <li>14. Chuck Key</li> </ol> | <ol style="list-style-type: none"> <li>15. (3) M8x1.25x125mm carriage head screws, (4) flat washers, (2) lockwashers, and (2) hex nuts (for fastening drill press to a supporting surface)</li> <li>16. M10x1.5x40mm Hex Head Screws (4)</li> <li>17. M6x1x12mm Hex Cap Head Screw (2)</li> <li>18. 1/4" Washer</li> <li>19. Cord Strain Relief</li> <li>20. Cord Clamp (2)</li> <li>21. Cord Bushing</li> <li>22. 12mm Hex Head Bolt</li> <li>23. Belleville Washer</li> <li>24. Screws (2)</li> <li>25. Springs (2)</li> <li>26. Forward tilt levers</li> </ol> |
|--|---|

## UNPACKING AND CLEANING

Carefully unpack the machine and all loose items from the shipping container(s). Remove the rust-preventative oil from unpainted surfaces using a soft cloth moistened with mineral spirits, paint thinner or denatured alcohol.

**CAUTION FIRE HAZARD.** Do not use highly volatile solvents such as gasoline, naphtha, acetone or lacquer thinner for cleaning your machine. Such materials can easily catch fire. After cleaning, cover the unpainted surfaces with a good quality household floor paste wax.

# ASSEMBLY

**⚠ WARNING RISK OF UNSAFE OPERATION.** For your own safety, do not connect the machine to the power source until the machine is completely assembled and you read and understand the entire instruction manual.

## ASSEMBLY TOOLS REQUIRED

3mm and 5mm hex wrench (supplied)  
10mm, 17mm, 24mm open end or socket wrenches (not supplied)

## ASSEMBLY TIME ESTIMATE

Assembly for this machine takes approximately 30 minutes to 1 hour.

1. If you plan to use your drill press in a permanent location, you must secure the drill press base to the supporting surface with fasteners through the three mounting holes (A) Fig. 1 in the drill press base.

**⚠ WARNING RISK OF UNSAFE OPERATION.** If you do not fasten your drill press in a permanent manner, you must fasten the drill press to a plywood mounting board to prevent the drill press from tipping over during normal use.

**⚠ WARNING RISK OF UNSAFE OPERATION.** Use a good grade of plywood with a minimum 3/4" thickness. Do not make the mounting board from particle board since particle board breaks easily.

2. Use a plywood board base with the minimum dimensions as shown in Fig. 2 for mounting the drill press base to a supporting surface.
3. Place the drill press base (D) Fig. 3 centered on the supporting surface (E).

**⚠ WARNING RISK OF UNSAFE OPERATION.** Make sure that the plywood extends a minimum of 3" on all four sides of the base as shown in Fig. 5.

4. Drill three 3/8" diameter holes through the holes (A) Fig. 1 in the drill press base, and in the supporting surface (E) Fig. 3.

**NOTE:** Place a piece of scrap wood underneath the supporting surface when drilling the through holes so that the drill bit will not damage the material beneath the supporting surface.

5. Fasten the drill press base to the mounting board using the carriage bolts, flat washers, lockwashers, and hex nuts (C) Fig. 2 furnished with your drill press. Countersink the holes for the carriage bolt heads and flat washers under the board so that the bolt heads are flush with or below the bottom surface of the board. Use a flat washer, lock washer, and hex nut above the drill press base.

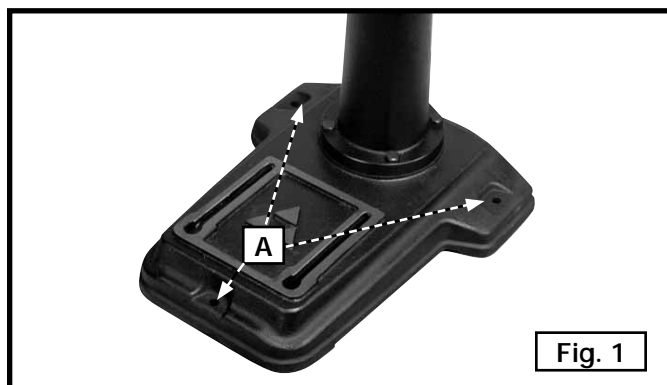
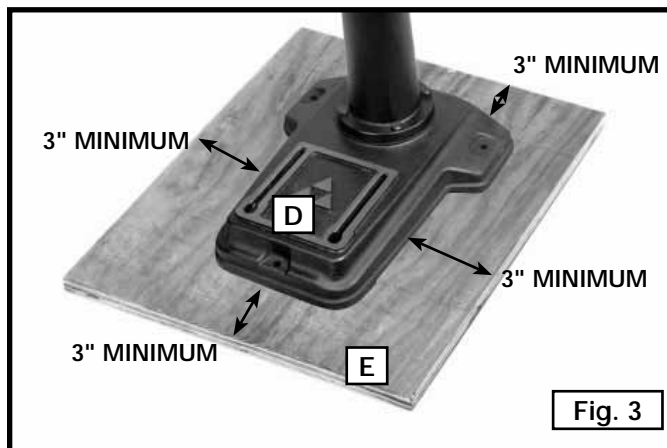
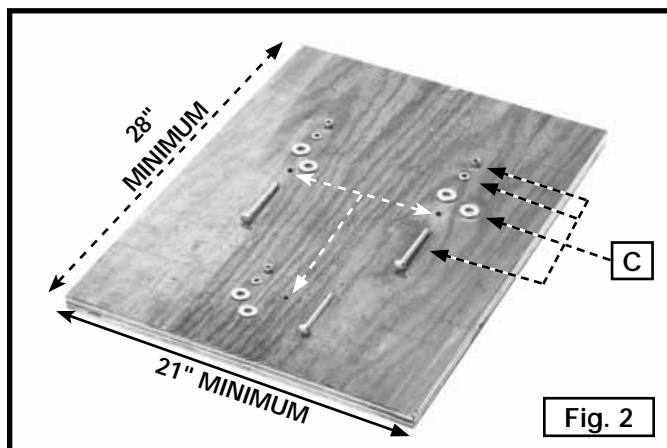


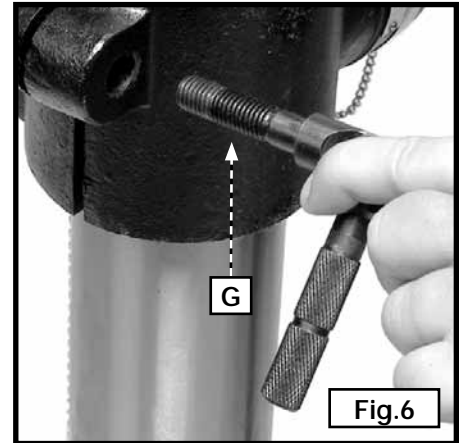
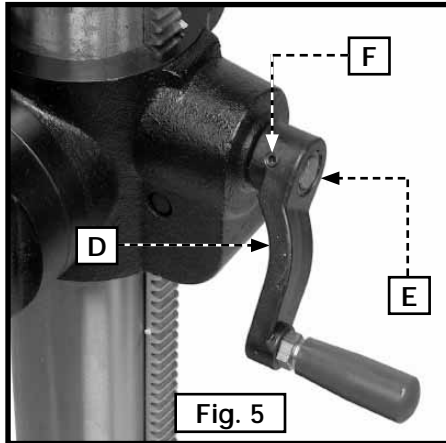
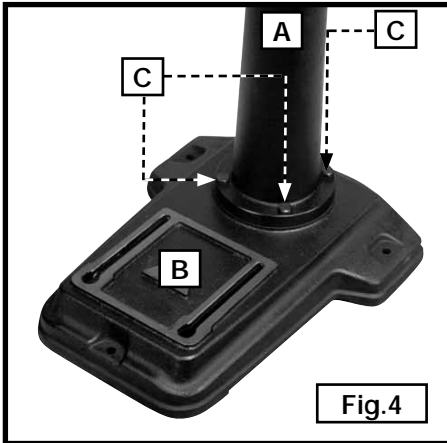
Fig. 1





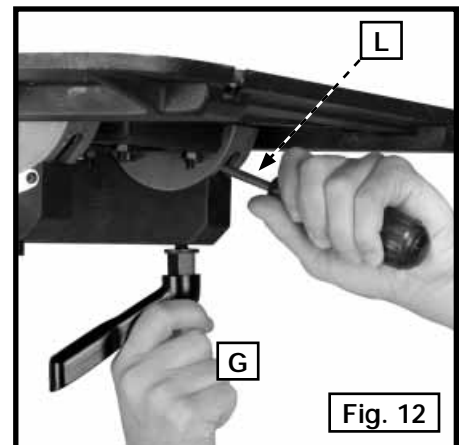
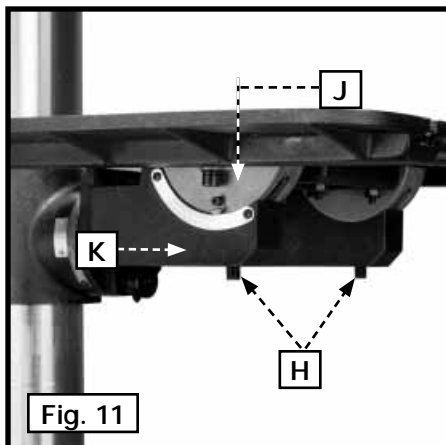
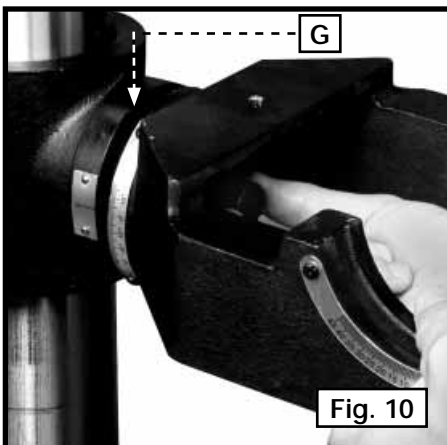
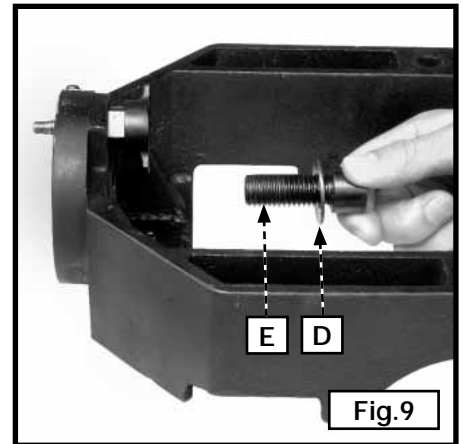
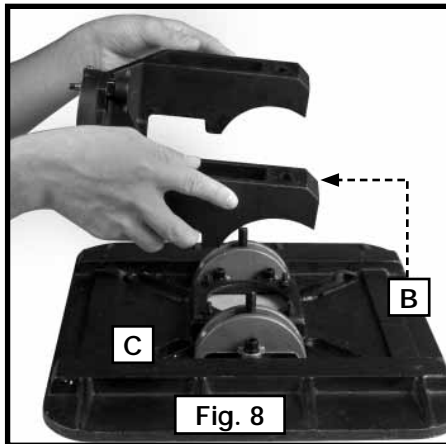
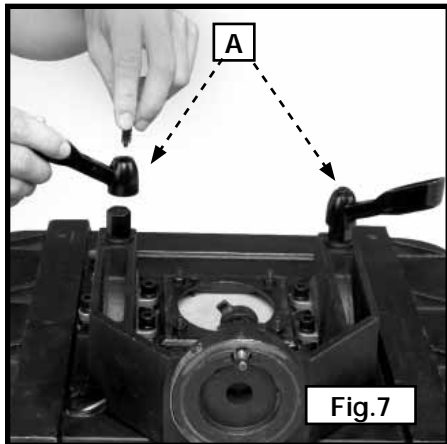
**⚠ WARNING RISK OF UNSAFE OPERATION.** You must secure the plywood base to the floor or supporting surface if the drill press has any tendency to vibrate, slide, or walk during normal operation.

- Attach the column (A) Fig. 4 to the base (B) using the four M10x40mm hex head screws (C), three of which are shown.
- Attach the table adjusting handle (D) Fig. 5 to the worm gear shaft (E). Tighten the screw (F) against the flat on the shaft with the 3mm wrench supplied.
- Thread the table clamp handle (G) Fig. 6 in the hole in rear of table bracket.



- Attach the levers to the underside of the table by turning the screw in the lever clockwise (Fig. 7).
- Remove both entire lever assemblies (A) Fig. 7 by turning them counter-clockwise. Remove the washers.
- Lift the table support (B) Fig. 8 from the table (C).
- Place the belleville washer (D) Fig. 9 with the raised side against the 12mm bolt (E).
- Insert the bolt into the table support, then into the hole in the knuckle (G) Fig. 10. Tighten securely.
- Align the bolts (H) in the trunnion (J) with the holes in the table support (K).
- Replace the washers and lever assemblies that were removed in **STEP 10**. Tighten securely.

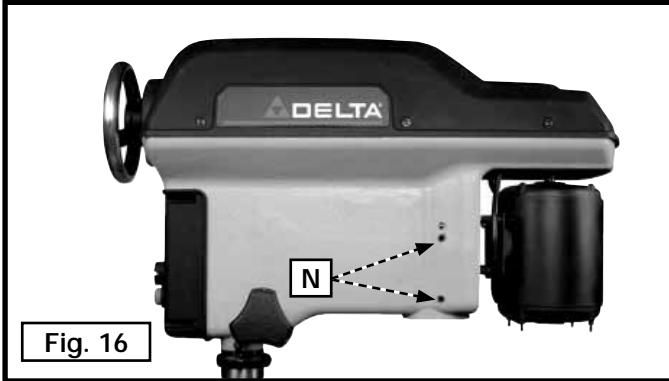
**NOTE:** The bolts in the trunnion are moveable. To make the replacing of the levers easier, insert a flathead screwdriver (L) Fig. 12 in the opening of the trunnion against the bolts to steady them.



## ATTACHING THE HEADSTOCK TO THE COLUMN

**⚠ CAUTION RISK OF PERSONAL INJURY** - The headstock is very heavy. Use two or more people to place the headstock on the column.

Place the drill press head (K) Fig. 15 on the column as far as it will go. Align the head (K) Fig. 15 with the table (L) and the base (M). Tighten the two head-locking screws (N) Fig. 16 with the 5mm wrench supplied.

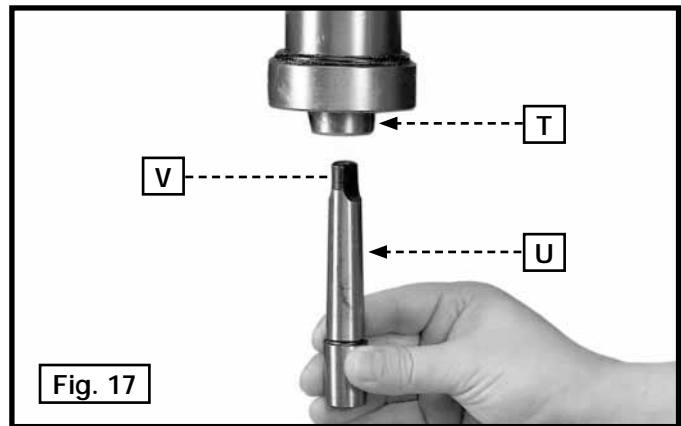


## INSTALLING THE CHUCK

**IMPORTANT:** Make certain that the tapered hole in the bottom of spindle (T) Fig. 17, and the taper on the spindle adapter (U) are clean and free of grease, lacquer, or rust-preventive coatings.

**NOTE:** Household oven cleaner can effectively remove these coatings from the spindle and spindle adapter. However, carefully follow the manufacturer's safety rules regarding its use.

Push the spindle adapter (U) Fig. 17 into the spindle (T), making certain that the tang (V) engages the mating slot inside the spindle (T).

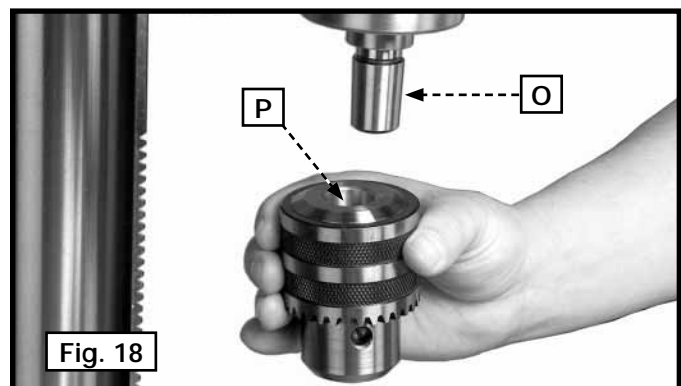


**CAUTION:** RISK OF PROPERTY DAMAGE. To avoid damage to the laser, prevent the cleaning solution from coming in contact with the laser pod. You can clean the laser pod with a dry cotton cloth.

**IMPORTANT:** Make certain the spindle taper (O) Fig. 18, and tapered hole in chuck (P) are clean and free of any grease, lacquer, or rust preventive coatings.

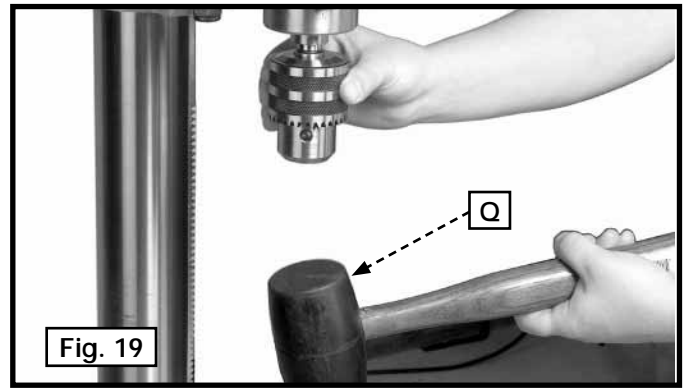
**NOTE:** Household oven cleaner can effectively remove any substance from the chuck. However, carefully follow the manufacturer's safety rules concerning its use.

**IMPORTANT:** Open the chuck jaws as wide as possible, making sure that the chuck jaws are inside the chuck.



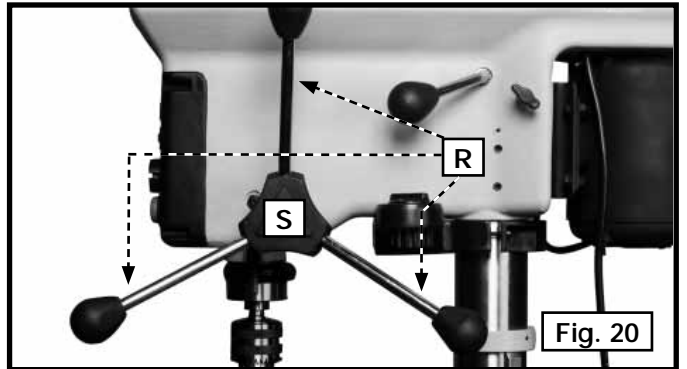
Hold the chuck on the taper of the spindle. Tap it with a soft-tip hammer (Q) Fig. 19 or a block of wood and hammer to set the chuck.

**CAUTION: RISK OF PROPERTY DAMAGE.** To avoid damage to the chuck, NEVER drive the chuck on the spindle with a metal hammer.



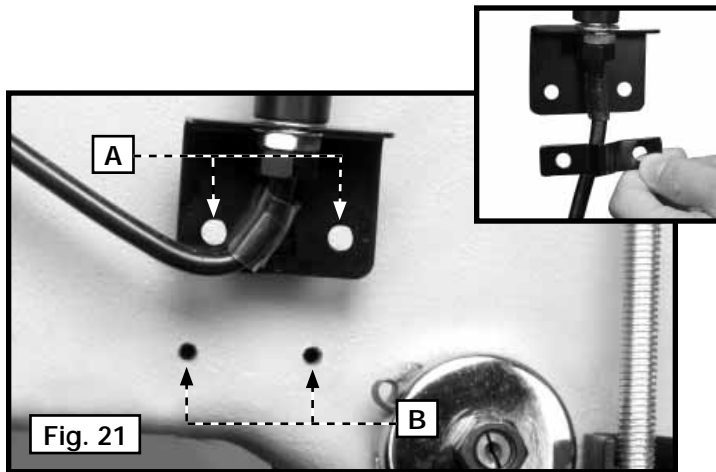
## ATTACHING THE PINION SHAFT HANDLES

Thread the three pinion shaft handles (R) in the three holes located in the pinion shaft hub (S) Fig. 20.

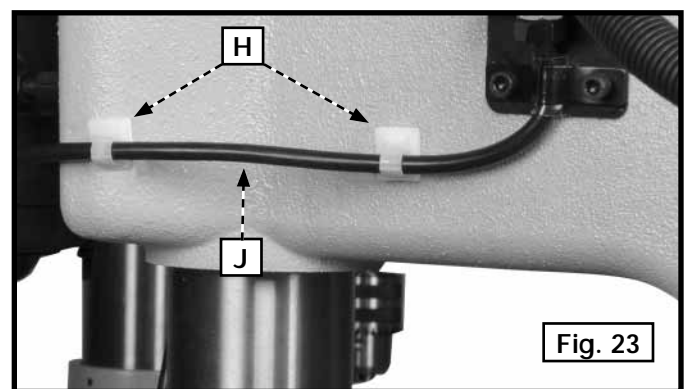


## ATTACHING THE CORD BRACKET

1. Align the two holes in the lamp bracket (A) Fig. 21, with the two holes (B) on the side of the drill press head.
2. Place the cord bushing (Inset) Fig. 21, around the top of the lamp cord (D)
3. Align the two holes in the lamp cord bracket with the two holes in the lamp bracket and drill press head.
4. Place a 1/4" washer on an M6x1x12mm cap head screw. Insert the screw through the hole in the cord strain relief bracket and the lamp bracket. Thread the screw into the drill press head (Fig. 22). Repeat this process for the remaining hole in the cord strain relief bracket and tighten both screws securely.



5. Peel the backing from the cord clamps (H) Fig. 23, and apply the clamps at the locations shown. Make certain that the lamp cord is routed out of the way of the drill, then secure the cord (J) to cord clamp (H) Fig. 23.



# OPERATION

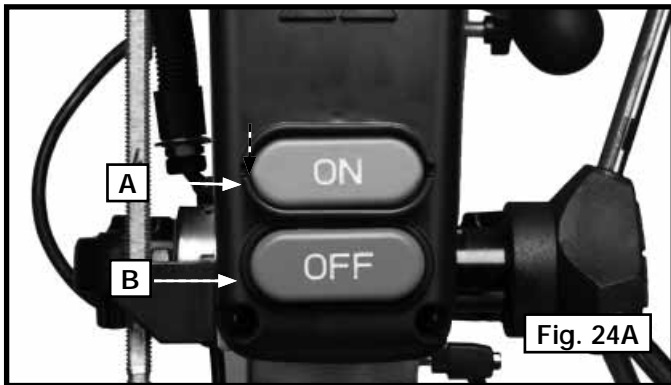
## OPERATIONAL CONTROLS AND ADJUSTMENTS

### STARTING AND STOPPING THE DRILL PRESS

1. The on/off switches (A and B) Fig. 24A are located on the front of the drill press. To turn the machine "ON", depress the "ON" switch.
2. To turn the machine "OFF", depress the "OFF" switch.

**⚠ WARNING** Make sure that the switch is in the "OFF" position before plugging in the power cord. In the event of a power failure, depress the "OFF" switch. An accidental start-up can cause injury.

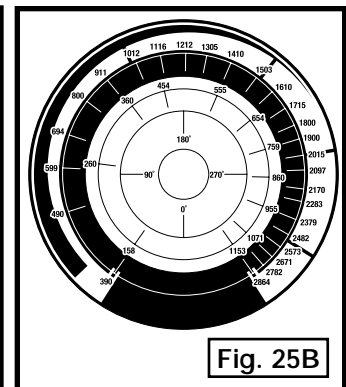
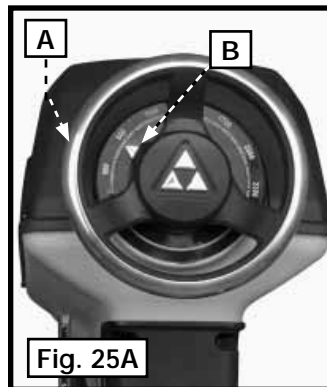
**IMPORTANT:** When the machine is not in use, lock the switch in the "OFF" position to prevent unauthorized use, using a padlock (A) Fig. 24B with a 3/16" diameter shackle.



### SPINDLE SPEED ADJUSTMENT

**CAUTION:** Adjust the spindle speed ONLY when the machine is in operation.

1. Determine the proper speed for your cutting tool (bits, drums, etc.)
2. Press the "ON" button to power the machine.
3. Use both hands to turn the speed-adjusting wheel (A) Fig. 25A until the pointer (B) indicates the correct speed.
4. Fig. 25B illustrates the speeds.



### FLEXIBLE LAMP

The flexible lamp operates independently of the drill press. To turn the lamp "ON" and "OFF", rotate switch (A) Fig. 26.

**⚠ WARNING** FIRE HAZARD. To reduce the risk of fire, use a 40 watt or less, 120 volt, reflector track-type light bulb (not supplied). DO NOT USE a standard household light bulb. Do not allow the reflector track-type light bulb to extend below the lamp shade.

**⚠ WARNING** RISK OF PERSONAL INJURY. Disconnect the machine from the power source before making any adjustments.





## TABLE ADJUSTMENTS

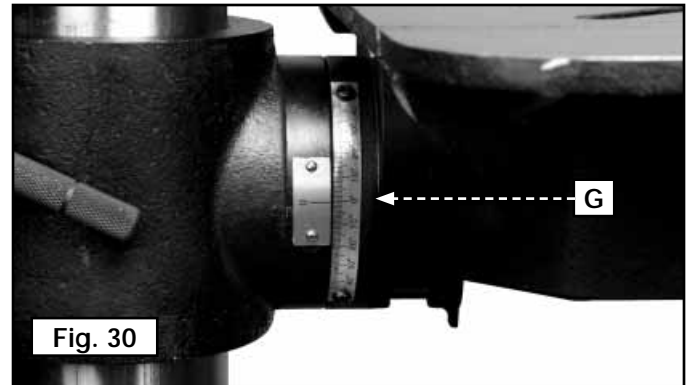
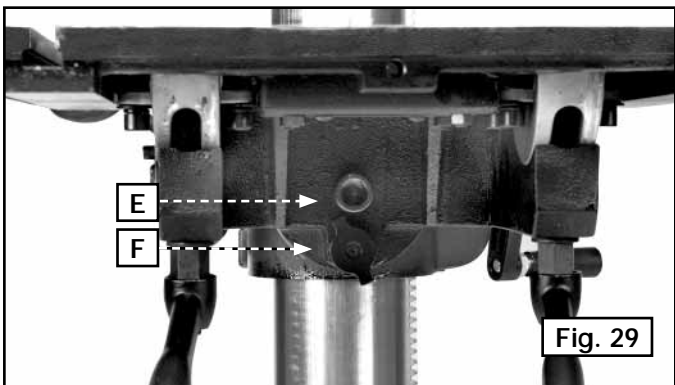
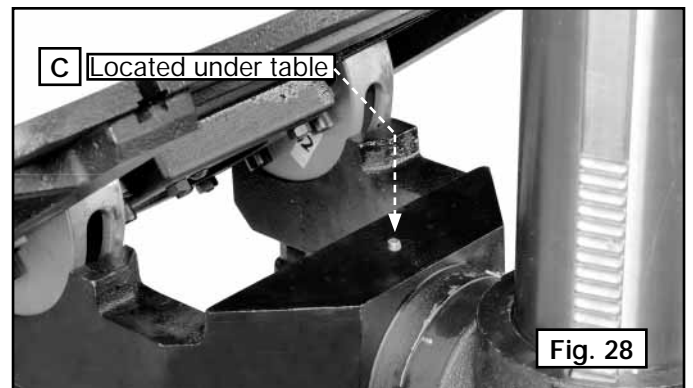
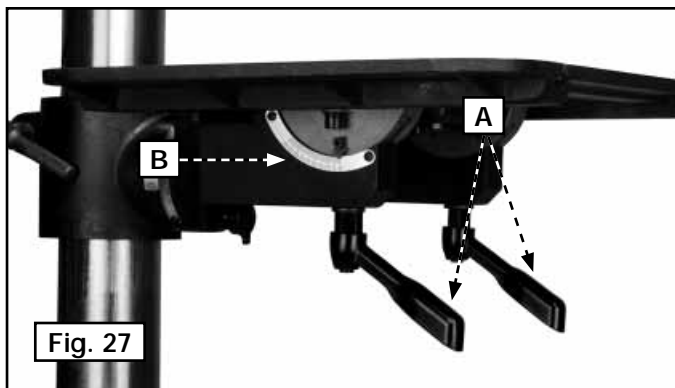
**▲ CAUTION RISK OF PERSONAL INJURY.** Make sure that nothing is on the table and that the workpiece is clamped down. Falling objects can cause an injury.

You can tilt the table forward from zero (0) to 45 degrees. To adjust:

1. Loosen the two forward tilt levers (A) Fig. 27.
2. Adjust the table to your desired angle. The scale (B) Fig. 27 is located on the side of the table support.
3. Tighten the levers (A) Fig. 27.
4. A positive stop (C) Fig. 28 is provided to return the table to the zero position. Adjust this stop by turning the screw/stop (C), located under the table. Tighten the locknut to secure the stop.

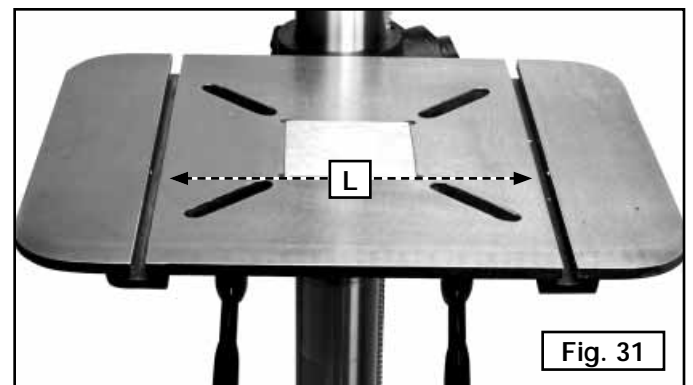
You can tilt the table right or left. Positive stops are included for 0, 45 and 90 degrees. To adjust:

1. Loosen the table bolt (E) Fig. 29 approximately 1/4 turn with the supplied 14mm hex wrench.
2. Pull out the spring-loaded detent pin (F).
3. Rotate the table to your desired angle. The tilt scale (G) Fig. 30 is located on the knuckle behind the table. Use this scale for accuracy. You can allow the detent pin to slide in to the positive stops (0, 45, and 90 degrees), but check your scale to be sure of the exact angle.
4. Tighten the table bolt.



## T-SLOTS

The drill press table is fitted with two T-slots (L) Fig. 31 for use with various drill press accessories (stop blocks, fences, or clamps). Use 5/16" T-bolts when attaching your accessory to the table.



## DRILLING HOLES TO DEPTH

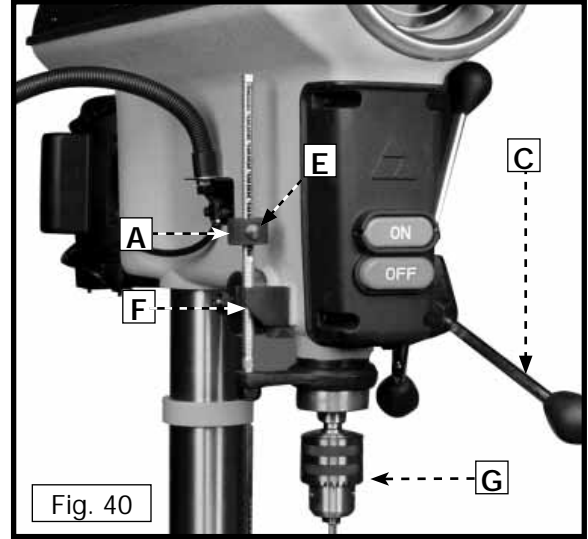
When you want to drill a number of holes to the same depth, use the stop nut (A) Fig. 40 on the threaded stop rod (B).

**⚠ WARNING** DISCONNECT MACHINE FROM POWER SOURCE.

1. Insert the bit into the chuck.
2. Lower the chuck (G) Fig. 40, and the drill bit to your chosen depth by rotating the pinion shaft handles (C). Lock the quill in position by tightening the quill locking lever (see (B) Fig. 43) on the right side of the head underneath the pinion shaft handles.

**NOTE:** The quill locking lever is spring-loaded. Change it by pulling out on the handle and repositioning the hub of the handle on the nut located underneath the hub.

3. Depress the spring-loaded button (E) Fig. 40 and move the stop nut (A) until the bottom of the nut contacts the stop (F). Loosen the quill locking-lever (D) to allow the chuck and drill bit to return to the up position.
4. Connect the machine to the power source and drill a test hole to check the adjustment. Readjust, if necessary, by rotating the stop nut (A) Fig. 40 for fine adjustment. You do not have to depress the button (E) to rotate the stop nut (A).



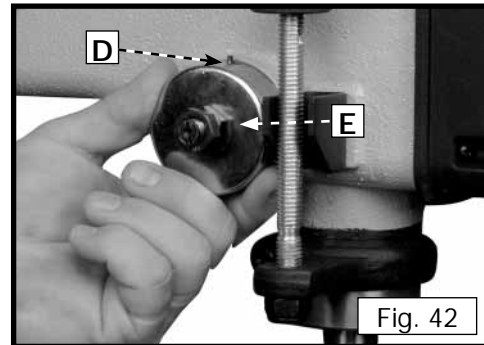
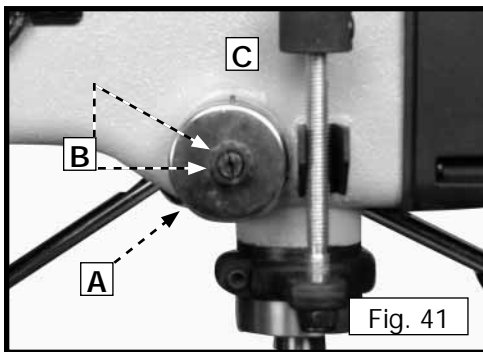
## ADJUSTING THE SPINDLE RETURN SPRING

The spindle will automatically return slowly to its upper position when the handle is released. However, to adjust, if necessary:

**⚠ WARNING** DISCONNECT THE MACHINE FROM THE POWER SOURCE!

1. Loosen the nuts (B) Fig. 41, but do not remove. Make sure that the spring housing (A) remains engaged with head casting (C).
2. While firmly holding the spring housing (Fig. 42), pull out the housing and rotate it (counter-clockwise to increase or clockwise to decrease) until the boss (D) is engaged with the next notch on the housing. Tighten the two nuts (B) Fig. 41 to hold the housing in place.

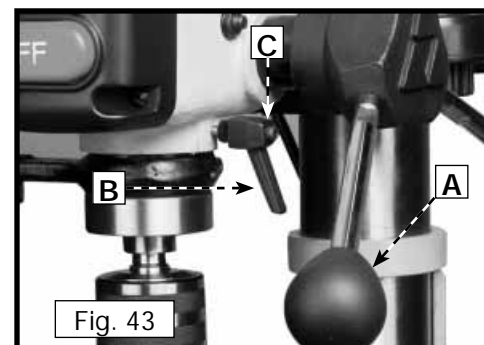
**IMPORTANT:** The inside nut (E) Fig. 42 should not contact the spring housing (A) Fig. 41.



## RAISING AND LOWERING THE SPINDLE

Raise and lower the spindle with the pinion handles (A) Fig. 43. You can lock the quill at any point in its travel by tightening locking lever (B).

**NOTE:** The quill locking lever (B) is spring-loaded. Pull outward on handle and reposition it on its hub (C).





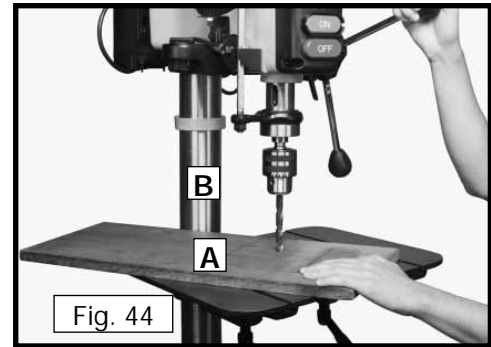
## MACHINE USE

**NOTE:** Use drill bits with shank diameters of 5/8" or less.

**NOTE:** After installing a drill bit, use the supplied key to tighten all three locations on the chuck.

**⚠ WARNING** The use of accessories and attachments not recommended by Delta may result in risk of injury.

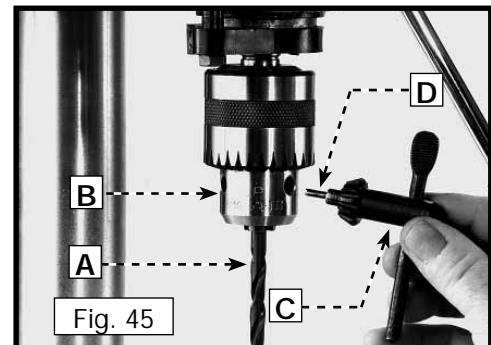
**IMPORTANT:** When the workpiece (A) Fig. 44 is long enough, position it on the table with one end against the left side of the column (B) to prevent the workpiece from rotating. If it is not possible to support the workpiece against the column, clamp the workpiece to the table.



## INSTALLING AND REMOVING DRILL BITS

**NOTE:** Use drill bits with a shank of 5/8" or less in diameter.

**⚠ WARNING** DISCONNECT THE MACHINE FROM THE POWER SOURCE!



1. Insert the smooth end of drill bit (A) Fig. 45 in the chuck (B) as far as it will go, and then back the bit out 1/16" (or up to the flutes for small bits).
2. Center the drill bit (A) Fig. 45 in the chuck (B) before tightening the chuck with the key (C).
3. Turn the chuck key (C) Fig. 45 clockwise to tighten and counter-clockwise to loosen the chuck jaws.
4. Tighten all three chuck jaws to secure the drill bit sufficiently to prevent slipping.
5. Remove the chuck key (C) Fig. 45 from the chuck before starting the drill press. The chuck key (C) is equipped with a self-ejecting pin (D) which helps minimize the potential for the key to be left in the chuck.

## CORRECT DRILLING SPEEDS

Factors that determine the correct speed are 1) the workpiece, 2) the size of the hole, 3) the type of bit or other cutter, and 4) the quality of cut.

**⚠ WARNING** Use the recommended speed for the the drill press bit and workpiece.

## DRILLING WOOD

Twist drills, usually intended for metal drilling, can also be used for boring holes in wood. However, machine spur bits are generally preferred for working in wood. These bits cut a flat-bottom hole and are designed for removal of wood chips. Do not use hand bits (screw tip). At drill press speeds, they lift and rotate the workpiece.

For through boring, align the workpiece so that the bit will go through the center hole in the table. Scribe a vertical line on the front of the column and a matching mark on the table bracket and the drill press head, so that the table and drill press head can be clamped in the center position at any height.

Feed the workpiece slowly when the bit is close to cutting through the wood to prevent splintering the bottom face. Use a scrap piece of wood as a base block under the work to reduce splintering and protects the point of the bit.

## DRILLING METAL

Use clamps to hold metal workpieces. Never hold the workpiece in your bare hand. The drill bit can seize the work at any time, especially when breaking through the workpiece and cause damage to the machine or injury to you. The drill bit will break if the workpiece strikes the column.

Clamp the workpiece firmly. Any tilting, twisting, or shifting results not only in a rough hole, but also in bit breakage. For flat work, lay the workpiece on a wooden base and clamp it firmly against the table to prevent it from turning. If the workpiece is of irregular shape and cannot lay flat on the table, securely block or clamp it.

# TROUBLESHOOTING

For assistance with your machine, visit our website at [www.deltamachinery.com](http://www.deltamachinery.com) for a list of service centers or call the DELTA Machinery help line at 1-800-223-7278 (In Canada call 1-800-463-3582).

# MAINTENANCE

## KEEP MACHINE CLEAN

Periodically blow out all air passages with dry compressed air. All plastic parts should be cleaned with a soft damp cloth. NEVER use solvents to clean plastic parts. They could possibly dissolve or otherwise damage the material.

**Wear certified safety equipment for eye, hearing and respiratory protection while using compressed air.**

## FAILURE TO START

Should your machine fail to start, check to make sure the prongs on the cord plug are making good contact in the outlet. Also, check for blown fuses or open circuit breakers in the line.

## LUBRICATION & RUST PROTECTION

Apply household floor paste wax to the machine table, extension table or other work surface weekly. Or use a commercially available protective product designed for this purpose. Follow the manufacturer's instructions for use and safety.

To clean cast iron tables of rust, you will need the following materials: a sheet of medium Scotch-Brite™ Blending Hand Pad, a can of WD-40® and a can of degreaser. Apply the WD-40 and polish the table surface with the Scotch-Brite pad. Degrease the table, then apply the protective product as described above.

# SERVICE

## REPLACEMENT PARTS

Use only identical replacement parts. For a parts list or to order parts, visit our website at [servicenet.deltamachinery.com](http://servicenet.deltamachinery.com). You can also order parts from your nearest factory-owned branch, or by calling our Customer Care Center at 1-800-223-7278 to receive personalized support from highly-trained technicians.

## SERVICE AND REPAIRS

All quality tools will eventually require servicing and/or replacement of parts. For information about Delta Machinery, its factory-owned branches, or an Authorized Warranty Service Center, visit our website at [www.deltamachinery.com](http://www.deltamachinery.com) or call our Customer Care Center at 1-800-223-7278. All repairs made by our service centers are fully guaranteed against defective material and workmanship. We cannot guarantee repairs made or attempted by others.

You can also write to us for information at Delta Machinery, 4825 Highway 45 North, Jackson, Tennessee 38305 - Attention: Product Service. Be sure to include all of the information shown on the nameplate of your tool (model number, type, serial number, etc.)

## FREE WARNING LABEL REPLACEMENT

If your warning labels become illegible or are missing, call 1-800-223-7278 for a free replacement.

**⚠ WARNING** FOR YOUR OWN SAFETY, READ AND UNDERSTAND INSTRUCTION MANUAL BEFORE OPERATING DRILL PRESS. ALWAYS WEAR EYE PROTECTION AND WEAR PROPER RESPIRATORY PROTECTION. DO NOT WEAR GLOVES, NECKTIES, JEWELRY OR LOOSE CLOTHING. ALWAYS CLAMP WORKPIECE OR BRACE IT AGAINST COLUMN TO PREVENT ROTATION. KEEP HANDS AWAY FROM ROTATING BIT OR ACCESSORY. USE RECOMMENDED SPEED FOR THE DRILL AND WORKPIECE MATERIAL. BE SURE DRILL BIT OR CUTTING TOOL IS NOT DAMAGED AND PROPERLY LOCKED IN THE CHUCK BEFORE OPERATING. MAKE CERTAIN CHUCK KEY IS REMOVED BEFORE STARTING DRILL PRESS. DISCONNECT MACHINE FROM POWER SOURCE BEFORE MAKING REPAIRS OR ADJUSTMENTS. DO NOT EXPOSE TO RAIN OR USE IN DAMP LOCATIONS.

**⚠ ADVERTENCIA** POR SU PROPIA SEGURIDAD, LEA Y COMPRENDA EL MANUAL DE INSTRUCCIONES ANTES DE UTILIZAR LA PRENSA DE TALADRO. SIEMPRE UTILICE PROTECCIÓN PARA LOS OJOS Y PROTECCIÓN APROPIADA PARA LA RESPIRACIÓN. NO USE GUANTES, CORBATAS, JOYAS NI ROPA HOLGADA. SIEMPRE SUJETE LA PIEZA DE TRABAJO CON ABRAZADERAS O AMÁRRELA CONTRA LA COLUMNA PARA EVITAR LA ROTACIÓN. MANTENGA LAS MANOS LEJOS DE LA BROCA O ACCESORIOS GIRATORIOS. USE LA VELOCIDAD RECOMENDADA PARA EL TALADRO Y EL MATERIAL DE LA PIEZA DE TRABAJO. ASEGÚRESE DE QUE LA BROCA DEL TALADRO O LA HERRAMIENTA DE CORTE NO ESTÉN DAÑADAS Y DE QUE ESTÉN CORRECTAMENTE BLOQUEADAS EN EL PORTABROCAS ANTES DE SU OPERACIÓN. ASEGÚRESE DE RETIRAR LA LLAVE DE PORTABROCAS ANTES DE ENCENDER LA PRENSA DE TALADRO. DESCONECTE LA MÁQUINA DE LA FUENTE DE ALIMENTACIÓN ANTES DE REALIZAR REPARACIONES O AJUSTES. NO EXPONGA A LA LLUVIA NI UTILICE EN LUGARES HÚMEDOS.

**⚠ AVERTISSEMENT** POUR VOTRE PROPRE SÉCURITÉ, BIEN LIRE ET COMPRENDRE LE MODE D'EMPLOI AVANT D'UTILISER LA PERCEUSE À COLONNE. TOUJOURS PORTER UNE PROTECTION OCULAIRE ET DES ARTICLES DE PROTECTION DES VOIES RESPIRATOIRES APPROPRIÉS. NE PAS PORTER DE GANTS, CRAVATES, BIJOUX OU VÊTEMENTS AMPLES. TOUJOURS FIXER LA PIÈCE OU BIEN LA CALER CONTRE LA COLONNE POUR EMPÊCHER UNE ROTATION. TENIR VOS MAINS ÉLOIGNÉES DE LA MÈCHE ROTATIVE OU ACCESSOIRE. UTILISER LA VITESSE RECOMMANDÉE POUR LA PERCEUSE ET LE MATÉRIEL DE LA PIÈCE À PERCER. S'ASSURER QUE LA MÈCHE OU L'ORGANE DE COUPE N'EST PAS ENDOMMAGÉ ET QU'IL EST BIEN VERROUILLÉ DANS LE MANDRIN AVANT SON UTILISATION. S'ASSURER DE RETIRER LA CLÉ DU MANDRIN AVANT DE DÉMARRER LA PERCEUSE DE COLONNE. DÉBRANCHER LA MACHINE DE LA SOURCE D'ALIMENTATION AVANT D'EFFECTUER DES RÉPARATIONS OU DES RÉGLAGES. NE PAS L'EXPOSER À LA PLUIE ET NE PAS L'UTILISER DANS UN ENDROIT HUMIDE.

A18703

## ACCESSORIES

A complete line of accessories is available from your Delta Supplier, Porter-Cable • Delta Factory Service Centers, and Delta Authorized Service Stations. Please visit our Web Site [www.deltamachinery.com](http://www.deltamachinery.com) for a catalog or for the name of your nearest supplier.

**⚠ WARNING:** Since accessories other than those offered by Delta have not been tested with this product, use of such accessories could be hazardous. For safest operation, only Delta recommended accessories should be used with this product.

## WARRANTY

To register your tool for warranty service visit our website at [www.deltamachinery.com](http://www.deltamachinery.com).

### Two Year Limited New Product Warranty

Delta will repair or replace, at its expense and at its option, any new Delta machine, machine part, or machine accessory which in normal use has proven to be defective in workmanship or material, provided that the customer returns the product prepaid to a Delta factory service center or authorized service station with proof of purchase of the product within two years and provides Delta with reasonable opportunity to verify the alleged defect by inspection. For all refurbished Delta product, the warranty period is 180 days. Delta may require that electric motors be returned prepaid to a motor manufacturer's authorized station for inspection and repair or replacement. Delta will not be responsible for any asserted defect which has resulted from normal wear, misuse, abuse or repair or alteration made or specifically authorized by anyone other than an authorized Delta service facility or representative. Under no circumstances will Delta be liable for incidental or consequential damages resulting from defective products. This warranty is Delta's sole warranty and sets forth the customer's exclusive remedy, with respect to defective products; all other warranties, express or implied, whether of merchantability, fitness for purpose, or otherwise, are expressly disclaimed by Delta.

# LES INSTRUCTIONS IMPORTANTES DE SURETE

**⚠ AVERTISSEMENT :** Lire et comprendre toutes instructions d'avertissements et opération avant d'utiliser n'importe quel outil ou n'importe quel équipement. En utilisant les outils ou l'équipement, les précautions de sûreté fondamentales toujours devraient être suivies pour réduire le risque de blessure personnelle. L'opération déplacée, l'entretien ou la modification d'outils ou d'équipement ont pour résultat la blessure sérieux et les dommages de propriété. Il y a de certaines applications pour lequel outils et l'équipement sont conçus. La Delta Machinery recommande avec force que ce produit n'ait pas modifié et/ou utilisé pour l'application autrement que pour lequel il a été conçu.



Si vous avez n'importe quelles questions relatives à son application n'utilisent pas le produit jusqu'à ce que vous avez écrit Delta Machinery et nous vous avons conseillé. La forme en ligne de contact à [www.deltamachinery.com](http://www.deltamachinery.com)  
Courrier Postal: Technical Service Manager, Delta Machinery, 4825 Highway 45 North, Jackson, TN 38305. Dans Canada, 125 Mural St. Suite 300, Richmond Hill, ON, L4B 1M4.

Information en ce qui concerne l'opération sûre et correcte de cet outil est disponible des sources suivantes:

- Power Tool Institute, 1300 Sumner Avenue, Cleveland, OH 44115-2851 ou en ligne [www.powertoolinstitute.org](http://www.powertoolinstitute.org)
- National Safety Council, 1121 Spring Lake Drive, Itasca, IL 60143-3201
- American National Standards Institute, 25 West 43rd Street, 4 floor, New York, NY 10036 [www.ansi.org](http://www.ansi.org) - ANSI O1.1 Safety Requirements for Woodworking Machines
- U.S. Department of Labor regulations [www.osha.gov](http://www.osha.gov)

## MESURES DE SÉCURITÉ - DÉFINITIONS

Ce guide contient des renseignements importants que vous deviez bien saisir. Cette information porte sur **VOTRE SÉCURITÉ** et sur **LA PRÉVENTION DE PROBLÈMES D'ÉQUIPEMENT**. Afin de vous aider à identifier cette information, nous avons utilisé les symboles ci-dessous. Veuillez lire attentivement ce guide en portant une attention particulière à ces sections.

**⚠ DANGER :** Indique un danger imminent qui, s'il n'est pas évité, causera de graves blessures ou la mort.

**⚠ AVERTISSEMENT :** Indique la possibilité d'un danger qui, s'il n'est pas évité, pourrait causer de graves blessures ou la mort.

**⚠ ATTENTION :** Indique la possibilité d'un danger qui, s'il n'est pas évité, peut causer des dommages à la propriété.

**ATTENTION :** Sans le symbole d'alerte. Indique la possibilité d'un danger qui, s'il n'est pas évité, peut causer des dommages; mineures ou moyennes.

### LA PROPOSITION DE CALIFORNIE 65

**⚠ AVERTISSEMENT :** La poussière produite par le ponçage électrique le sciage, le meulage, le perçage et autres activités de construction peut contenir des produits chimiques qui sont reconnus, par l'état de la Californie, de causer le cancer, les anomalies congénitales ou autres maux de reproduction. Ces produits chimiques comprennent, entre autres :

- le plomb provenant des peintures à base de plomb;
- la silice cristalline provenant de briques, de béton ou d'autres produits de maçonnerie
- l'arsenic et le chrome provenant du bois de charpente traité chimiquement

Le risque d'exposition à ces produits dépend de la fréquence d'exécution de ce genre de travaux. Afin de réduire l'exposition à ces produits chimiques, travaillez dans un endroit bien aéré et utilisez de l'équipement de sécurité approuvé, portez toujours un masque facial ou respirateur homologué **MSHA/NIOSH** bien ajusté lorsque vous utilisez de tels outils.

**CONSERVEZ CES INSTRUCTIONS!**

# RÈGLES DE SÉCURITÉ GÉNÉRALES

**▲ AVERTISSEMENT :** L'inobservation de ces règles peut conduire à des blessures graves.

- 1. POUR SA SÉCURITÉ PERSONNELLE, LIRE LA NOTICE D'UTILISATION, AVANT DE METTRE LA MACHINE EN MARCHÉ,** et pour aussi apprendre l'application et les limites de la machine ainsi que les risques qui lui sont particuliers ainsi, les possibilités d'accident et de blessures seront beaucoup réduites.
- 2. PORTEZ DES DISPOSITIFS DE PROTECTION DES YEUX ET DE L'OUÏE. UTILISEZ TOUJOURS DES LUNETTES DE SÉCURITÉ.** Des lunettes ordinaires ne constituent PAS des lunettes de sécurité. **UTILISEZ DES ÉQUIPEMENTS DE SÛRETÉ HOMOLOGUÉS.** Les dispositifs de protection des yeux doivent être conformes aux normes ANSI Z87.1. Les dispositifs de protection de l'ouïe doivent être conformes aux normes ANSI S3.19.
- 3. PORTER UNE TENUE APPROPRIÉE.** Pas de cravates, de gants, ni de vêtements amples. Enlever montre, bagues et autres bijoux. Rouler les manches. Les vêtements ou les bijoux qui se trouvent pris dans les pièces mobiles peuvent entraîner des blessures.
- 4. NE PAS UTILISER LA MACHINE DANS UN ENVIRONNEMENT DANGEREUX.** L'utilisation d'outils électriques dans des endroits humides ou sous la pluie peut entraîner des décharges électriques ou une électrocution. Garder la zone de travail bien éclairée pour éviter de trébucher ou d'exposer les doigts, les mains ou les bras à une situation dangereuse.
- 5. GARDER LES OUTILS ET LES MACHINES EN PARFAIT ÉTAT.** Garder les outils affûtés et propres afin d'obtenir le meilleur et le plus sûr rendement. Suivre les instructions pour lubrifier et changer les accessoires. Les outils et les machines mal entretenus peuvent se dégrader davantage, et/ou entraîner des blessures.
- 6. INSPECTER LES PIÈCES POUR DÉCELER TOUT DOMMAGE.** Avant d'utiliser la machine, la vérifier pour voir s'il n'y a pas de pièces endommagées. Vérifier l'alignement des pièces mobiles et si ces pièces ne se coincent pas, la rupture de pièces, ou toute autre condition pouvant affecter le fonctionnement. Toute pièce ou protecteur endommagé doit être réparé ou remplacé. Les pièces endommagées peuvent dégrader davantage la machine et/ou entraîner des blessures.
- 7. GARDER L'AIRE DE TRAVAIL PROPRE.** Les zones et établis encombrés favorisent les accidents.
- 8. GARDER LES ENFANTS ET LES VISITEURS À DISTANCE.** L'atelier est un lieu potentiellement dangereux. Les enfants et les visiteurs peuvent se blesser.
- 9. ÉVITER LE DÉMARRAGE ACCIDENTEL.** S'assurer que l'interrupteur est sur « OFF » (ARRÊT) avant de brancher le cordon. En cas de coupure de courant, placer l'interrupteur à la position « OFF » (ARRÊT). Un démarrage accidentel peut entraîner des blessures.
- 10. UTILISER LES DISPOSITIFS PROTECTEURS.** Vérifier que tous les dispositifs protecteurs sont bien en place, bien fixés et en bon état de marche pour éviter les blessures.
- 11. ENLEVER LES CLÉS DE RÉGLAGE ET CELLES DE SERRAGE AVANT DE METTRE LA MACHINE EN MARCHÉ.** Les outils, les chutes et les autres débris peuvent être projetés violemment et blesser.
- 12. UTILISER LA BONNE MACHINE.** Ne pas forcer la machine ou l'accessoire à faire un travail pour lequel il n'a pas été conçu. Des dommages à la machine et/ou des blessures pourraient s'ensuivre.
- 13. UTILISER LES ACCESSOIRES RECOMMANDÉS.** L'utilisation d'accessoires non recommandés par Delta peut endommager la machine et blesser l'utilisateur.
- 14. UTILISER LE CORDON PROLONGATEUR APPROPRIÉ.** S'assurer que le cordon prolongateur est en bon état. Lorsqu'un cordon prolongateur est utilisé, s'assurer que celui-ci est d'un calibre suffisant pour l'alimentation nécessaire à la machine. Un cordon d'un calibre insuffisant entraînera une perte de tension d'où une perte de puissance et surchauffe. Voir le tableau sur les cordons prolongateurs pour obtenir le calibre approprié selon la longueur du cordon et l'ampérage de la machine. S'il y a un doute, utiliser un cordon d'un calibre supérieur. Plus le chiffre est petit, plus le fil est gros.
- 15. FIXER LA PIÈCE.** Utilisez les brides ou l'étau quand vous ne pouvez pas fixer l'objet sur la table et contre la barrière à la main ou quand votre main sera dangereusement près de la lame (à moins de 6").
- 16. AVANCER LA PIÈCE DANS LE SENS CONTRAIRE À LA ROTATION DE LA LAME, DE LA FRAISE OU DE LA SURFACE ABRASIVE.** L'alimentation dans l'autre sens peut entraîner une projection violente de la pièce.
- 17. NE PAS FORCER LA MACHINE EN AVANÇANT LA PIÈCE TROP VITE.** Des dommages et/ou des blessures peuvent s'ensuivre.
- 18. NE PAS SE PENCHER AU-DESSUS DE LA MACHINE.** Une perte de l'équilibre peut entraîner une chute sur la machine en marche et causer des blessures.
- 19. NE JAMAIS MONTER SUR LA MACHINE.** On peut se blesser gravement si la machine bascule ou si l'on touche accidentellement son outil tranchant.
- 20. NE JAMAIS LAISSER LA MACHINE EN MARCHÉ SANS SURVEILLANCE. COUPER LE COURANT.** Ne pas quitter la machine tant qu'elle n'est pas complètement arrêtée. Un enfant ou un visiteur pourrait se blesser.
- 21. METTRE LA MACHINE À L'ARRÊT « OFF » ET LA DÉBRANCHER** avant d'installer ou d'enlever des accessoires, d'ajuster ou de changer des montages, ou lors des réparations. Un démarrage accidentel peut entraîner des blessures.
- 22. METTRE L'ATELIER À L'ABRI DES ENFANTS AU MOYEN DE CADENAS, D'INTERRUPTEURS PRINCIPAUX OU EN ENLEVANT LES BOUTONS DES DISPOSITIFS DE MISE EN MARCHÉ.** Le démarrage accidentel de la machine par un enfant ou un visiteur peut entraîner des blessures.
- 23. RESTER VIGILANT, ATTENTIF, ET FAIRE PREUVE DE BON SENS. NE PAS UTILISER LA MACHINE LORSQUE L'ON EST FATIGUÉ OU SOUS L'INFLUENCE DE DROGUES, D'ALCOOL OU DE MÉDICAMENTS.** Un instant d'inattention lors de l'utilisation d'outils électriques peut entraîner des blessures graves.
- 24. ▲ AVERTISSEMENT :** L'UTILISATION DE CET OUTIL PEUT PRODUIRE ET DISPERSER DE LA POUSSIÈRE OU D'AUTRES PARTICULES EN SUSPENSION DANS L'AIR, TELLES QUE LA SCIURE DE BOIS, LA POUSSIÈRE DE SILICIUM CRISTALLIN ET LA POUSSIÈRE D'AMIANTE. Dirigez les particules loin du visage et du corps. Faites toujours fonctionner l'outil dans un espace bien ventilé et prévoyez l'évacuation de la poussière. Utilisez un système de dépoussiérage chaque fois que possible. L'exposition à la poussière peut causer des problèmes de santé graves et permanents, respiratoires ou autres, tels que la silicose (une maladie pulmonaire grave) et le cancer, et même le décès de la personne affectée. Évitez de respirer de la poussière et de rester en contact prolongé avec celle-ci. En laissant la poussière pénétrer dans vos yeux ou votre bouche, ou en la laissant reposer sur votre peau, vous risquez de promouvoir l'absorption de substances toxiques. Portez toujours des dispositifs de protection respiratoire homologués par NIOSH/OSHA, appropriés à l'exposition à la poussière et de taille appropriée, et lavez à l'eau et au savon les surfaces de votre corps qui ont été exposées.

# RÈGLES SPÉCIFIQUES ADDITIONNELLES DE SÛRETÉ

**▲ AVERTISSEMENT :** L'inobservation de ces règles peut conduire à des blessures graves.

- 1. NE PAS FAIRE FONCTIONNER CETTE MACHINE AVANT QU'ELLE NE SOIT ENTIÈREMENT ASSEMBLÉE ET INSTALLÉE CONFORMÉMENT À CES DIRECTIVES.** Une machine mal assemblée peut provoquer des blessures graves.
- 2. DEMANDER CONSEIL** à un superviseur, instructeur, ou toute autre personne qualifiée si vous ne maîtrisez pas parfaitement l'utilisation de cette machine. La connaissance est synonyme de sécurité.
- 3. SUIVRE TOUS LES CODES DE CÂBLAGE** et les connexions électriques recommandées afin d'éviter tout choc électrique ou électrocution.
- 4. FIXER LA MACHINE SUR UNE SURFACE DE SUPPORT.** Les vibrations sont susceptibles de faire glisser, « marcher », ou basculer la machine.
- 5. NE JAMAIS DÉMARRER LA MACHINE AVANT DE RETIRER DE LA TABLE** tout objet (outils, morceaux de déchet de découpe, etc.). Les débris peuvent être projetés à grande vitesse.
- 6. NE JAMAIS DÉMARRER LA MACHINE** avec une mèche, un outil de coupe ou un cylindre de contact contre l'ouvrage. La perte de contrôle de l'ouvrage peut provoquer de graves blessures.
- 7. VERROUILLER CORRECTEMENT LA MÈCHE, L'OUTIL DE COUPE OU LE CYLINDRE DE CONTACT DANS LE MANDRIN AVANT D'UTILISER CETTE MACHINE.**
- 8. RETIRER LA CLÉ DU MANDRIN AVANT DE DÉMARRER LA MACHINE.** La clé du mandrin risque d'être projetée à grande vitesse.
- 9. SERRER TOUTES LES POIGNÉES DE VERROUILLAGE** avant de démarrer la machine. La perte de contrôle de l'ouvrage peut provoquer de graves blessures.
- 10. UTILISER SEULEMENT DES MÈCHES, OUTILS DE COUPE, CYLINDRES DE CONTACT OU AUTRES ACCESSOIRES** avec une queue à la dimension recommandée dans le mode d'emploi. Un accessoire de la mauvaise taille peut endommager la machine et/ou provoquer de graves blessures.
- 11. UTILISER SEULEMENTS DES MÈCHES, outils de coupe OU CYLINDRES DE CONTACT** intacts. Des articles endommagés peuvent provoquer des défaillances qui mèneraient à des blessures.
- 12. UTILISER LES VITESSES RECOMMANDÉES POUR TOUTES OPÉRATIONS.**
- D'autres vitesses peuvent provoquer des défaillances de la machine qui endommageraient celle-ci et/ou provoqueraient de graves blessures.
- 13. ÉVITER LES OPÉRATIONS MALADROITES** et éviter d'avoir les mains mal placées. En glissant inopinément, votre main pourrait percuter la mèche.
- 14. TENIR LES BRAS, MAINS ET DOIGTS ÉLOIGNÉS DE LA MÈCHE.** De graves blessures à la main peuvent survenir.
- 15. TENIR FERMEMENT L'OUVRAGE CONTRE LA TABLE.** Ne pas percer un ouvrage si celui-ci ne repose pas sur un côté plat contre la table ou s'il n'est pas fixé dans un étau. Empêcher l'ouvrage de tourner en le rattachant à la table ou en le fixant contre la colonne de la perceuse. La perte de contrôle de l'ouvrage peut provoquer de graves blessures.
- 16. ÉTEINDRE LA MACHINE ET ATTENDRE QUE LA MÈCHE, L'OUTIL DE COUPE OU LE CYLINDRE DE CONTACT** s'arrête complètement avant de nettoyer la zone de travail, d'enlever des débris, de retirer ou de fixer un ouvrage ou de changer l'angle de la table. Une mèche, un outil de coupe ou un cylindre de contact en mouvement peut provoquer de graves blessures.
- 17. SOUTENIR CORRECTEMENT LES OUVRAGES LONGS OU LARGES.** La perte de contrôle de l'ouvrage peut provoquer de graves blessures.
- 18. NE JAMAIS EFFECTUER D'OPÉRATIONS DE TRAÇAGE, D'ASSEMBLAGE, OU DE RÉGLAGE SUR LA TABLE/ L'ESPACE DE TRAVAIL LORSQUE LA MACHINE EST EN MARCHÉ.** De graves blessures pourraient survenir.
- 19. ÉTEINDRE LA MACHINE, LA DÉBRANCHER, ET NETTOYER LA TABLE/L'ESPACE DE TRAVAIL AVANT DE LAISSER LA MACHINE.** Verrouiller l'interrupteur en position d'arrêt afin d'éviter toute utilisation non autorisée. Il se peut que quelqu'un démarre accidentellement la machine et se blesse gravement.
- 20. DES INFORMATIONS SUPPLÉMENTAIRES** (i.e. une vidéo sur la sécurité), indiquant comment utiliser des outils électriques correctement et en toute sécurité, sont disponibles auprès du Power Tool Institute, 1300 Sumner Avenue, Cleveland, OH 44115-2851, États-Unis ([www.powertoolinstitute.com](http://www.powertoolinstitute.com)). Vous pouvez également vous procurer des informations auprès du National Safety Council, 1121 Spring Lake Drive, Itasca, IL 60143-3201, États-Unis. Veuillez vous reporter à la norme ANSI 01.01 de l'American National Standards Institute concernant les machines de travail du bois, ainsi que la réglementation OSHA 1910.213. du département américain du travail.

## CONSERVER CES DIRECTIVES.

Les consulter souvent et les utiliser pour donner des directives aux autres.



## RACCORDEMENTS ÉLECTRIQUES

Un circuit électrique séparé doit être utilisé pour les machines. Ce circuit doit utiliser un câble de calibre 12 au minimum et doit être protégé par un fusible temporisé. **REMARQUE** : les fusibles temporisés devraient avoir l'inscription « D » au Canada et « T » aux É.-U. Si on utilise un cordon prolongateur, ce cordon doit être à trois fils, avoir une fiche à trois broches et une prise de courant à trois cavités, mise à la terre qui correspond à la fiche de la machine. Avant debrancher la machine, s'assurer que l'interrupteur (les interrupteurs) se trouve(nt) en position « OFF » (ARRÊT) et que le courant électrique présente les mêmes caractéristiques que celles qui sont inscrites sur la machine. Toutes les connexions électriques doivent établir un bon contact. Le fonctionnement sur une basse tension endommagera la machine.

**⚠ DANGER :** Ne pas exposer la machine à la pluie, et ne pas l'utiliser dans des endroits humides.

### SPÉCIFICATIONS DU MOTEUR

Cette machine est câblée pour un fonctionnement sur un courant alternatif de 120 volts 60 Hz. Avant de brancher la machine, s'assurer que l'interrupteur se trouve à la position « OFF » (ARRÊT).

### INSTRUCTIONS DE MISE À LA TERRE

**⚠ DANGER :** Cette machine doit être mise à la terre pendant son emploi, afin de protéger l'utilisateur des décharges électriques

1. **Toutes les machines avec cordon mis à la terre:** Dans l'éventualité d'un mauvais fonctionnement ou d'une panne, la mise à la terre fournit un trajet de moindre résistance permettant de réduire le risque de décharge électrique. Cette machine est dotée d'un cordon électrique possédant un conducteur de mise à la terre de l'équipement ainsi que d'une fiche mise à la terre. La fiche doit être branchée dans une prise de courant correspondante, installée de façon adéquate et mise à la terre conformément à tous les codes et règlements locaux.

Ne pas modifier la fiche fournie - si elle ne s'adapte pas à la prise de courant, il faut faire installer une prise de courant convenable par un électricien compétent.

Un mauvais raccordement du conducteur de mise à la terre de l'équipement peut entraîner un risque de décharge électrique. Le conducteur possédant un isolant avec surface extérieure de couleur verte, avec ou sans rayures jaunes, est le conducteur de mise à la terre de l'équipement. Si une réparation ou un remplacement du cordon électrique s'avère nécessaire, ne pas brancher le conducteur de mise à la terre de l'équipement à une borne sous tension.

Consulter un électricien compétent ou le personnel de service après-vente si on ne comprend pas entièrement les instructions de mise à la terre, ou si l'on doute que la machine soit correctement mise à la terre.

Utiliser seulement des cordons prolongateurs à trois fils dotés d'une fiche mise à la terre, à trois broches, et de prises à trois cavités convenant à la fiche de la machine, comme l'illustre la figure A.

Réparer ou remplacer sans délai tout cordon endommagé ou usé.

2. **Machines avec cordon mis à la terre prévues pour une utilisation sur une alimentation nominale inférieure à 150 volts :** Si cette machine est prévue pour être utilisée sur un circuit qui comporte une prise semblable à celle illustrée à la figure A, la machine devra comporter une fiche mise à la terre semblable à celle illustrée à la figure A. Un adaptateur temporaire semblable à celui illustré à la figure B, peut être utilisé pour raccorder cette fiche à une prise à deux cavités comme celle illustrée à la figure B, si une prise correctement mise à la terre n'est pas disponible. L'adaptateur temporaire ne doit être utilisé que jusqu'au moment où une prise correctement mise à la terre est installée par un électricien compétent. L'oreiller rigide ou autre dispositif semblable de couleur verte, sur le dessus de l'adaptateur, doit être connecté sur une mise à la terre permanente comme, par exemple une boîte à prises correctement mise à la terre. Quand un adaptateur est utilisé, celui-ci doit être retenu en place par une vis en métal.

**REMARQUE:** Au Canada, le Code canadien de l'électricité ne permet pas l'emploi d'un adaptateur temporaire.

**⚠ DANGER :** Dans tous les cas, s'assurer que la prise en question est bien mise à la terre. Dans le doute, demander à un électricien compétent de vérifier la prise.

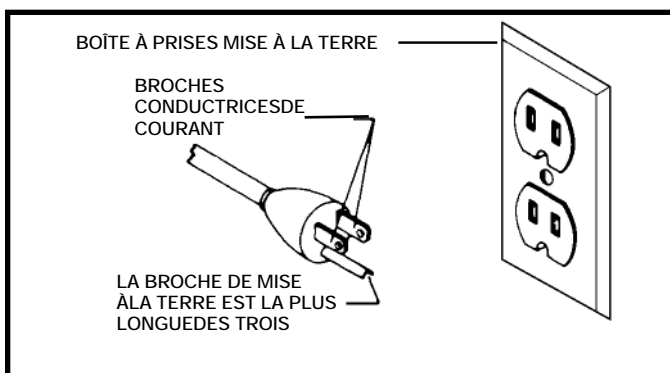


Fig. A

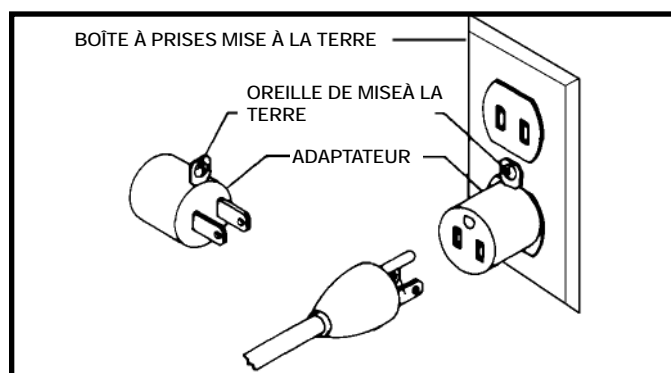


Fig. B

### 3. FONCTIONNEMENT MONOPHASÉ À 240 VOLTS

Le moteur fourni avec la machine est un moteur bitension de 120/240 volts. Il est livré, prêt à fonctionner, sous tension de 120 volts. Toutefois, il peut être converti au fonctionnement sous 240 volts.

Un électricien professionnel devrait effectuer la conversion ou utiliser les services d'un centre de réparations agréé Delta. Suite à la conversion, la machine doit être conforme au Code électrique national et à tous les codes et à toutes les ordonnances à l'échelle locale.

La conversion exige un recâblage du moteur pour 240 volts grâce à l'installation d'une fiche de 240 volts sur le cordon d'alimentation et le remplacement de l'interrupteur (le cas échéant) avec un autre homologué pour un fonctionnement à 240 volts.

S'assurer que la fiche de 240 volts s'insère seulement dans une prise ayant la même configuration que la fiche illustrée à la fig. C.

N'utiliser aucun adaptateur avec une fiche de 240 volts.

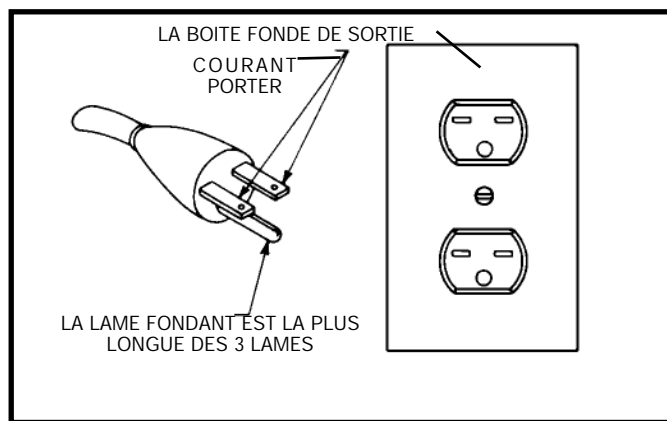


Fig. C

**⚠ DANGER :** Dans tous les cas, s'assurer quela prise en question est bien mise à la terre. Dans le doute, demander à un électricien compétente vérifier la prise.

#### CORDON DE RALLONGE

**⚠ AVERTISSEMENT :** Employez les cordes appropriées de prolongation. S'assurent votre corde de prolongation est en bon état. En utilisant une corde de prolongation, soyez sûr d'employer un assez lourd pour porter le courant de la machine. Une corde trop petite causera une baisse dans la tension secteur, ayant pour résultat la perte de puissance et de surchauffe. Fig. D-1 or D-2, expositions la mesure correcte à employer selon la longueur de corde. En cas de doute, utilisez la prochaine mesure plus lourde. Plus le nombre de mesure est petit, plus la corde est lourde.

MESUR MINIMUM DE CORDE D'EXTENSION			
TAILLES RECOMMANDÉES POUR L'USAGE AVEC STATIONNAIRES ÉLECTRIQUES LES OUTILS			
Estimation pere	Volts	Longueur Totale De Corde En Pieds	Mesure De Corde D'Am D'Extension
0-6	120	up to 25	18 AWG
0-6	120	25-50	16 AWG
0-6	120	50-100	16 AWG
0-6	120	100-150	14 AWG
6-10	120	up to 25	18 AWG
6-10	120	25-50	16 AWG
6-10	120	50-100	14 AWG
6-10	120	100-150	12 AWG
10-12	120	up to 25	16 AWG
10-12	120	25-50	16 AWG
10-12	120	50-100	14 AWG
10-12	120	100-150	12 AWG
12-16	120	up to 25	14 AWG
12-16	120	25-50	12 AWG
12-16	120	50 PI PLUS GRANDS QUE NON RECOMMANDES	

Fig. D-1

MESUR MINIMUM DE CORDE D'EXTENSION			
TAILLES RECOMMANDÉES POUR L'USAGE AVEC STATIONNAIRES ÉLECTRIQUES LES OUTILS			
Estimation pere	Volts	Longueur Totale De Corde En Pieds	Mesure De Corde D'Am D'Extension
0-6	240	up to 50	18 AWG
0-6	240	50-100	16 AWG
0-6	240	100-200	16 AWG
0-6	240	200-300	14 AWG
6-10	240	up to 50	18 AWG
6-10	240	50-100	16 AWG
6-10	240	100-200	14 AWG
6-10	240	200-300	12 AWG
10-12	240	up to 50	16 AWG
10-12	240	50-100	16 AWG
10-12	240	100-200	14 AWG
10-12	240	200-300	12 AWG
12-16	240	up to 50	14 AWG
12-16	240	50-100	12 AWG
12-16	240	50 PI PLUS GRANDS QUE NON RECOMMANDES	

Fig. D-2

22

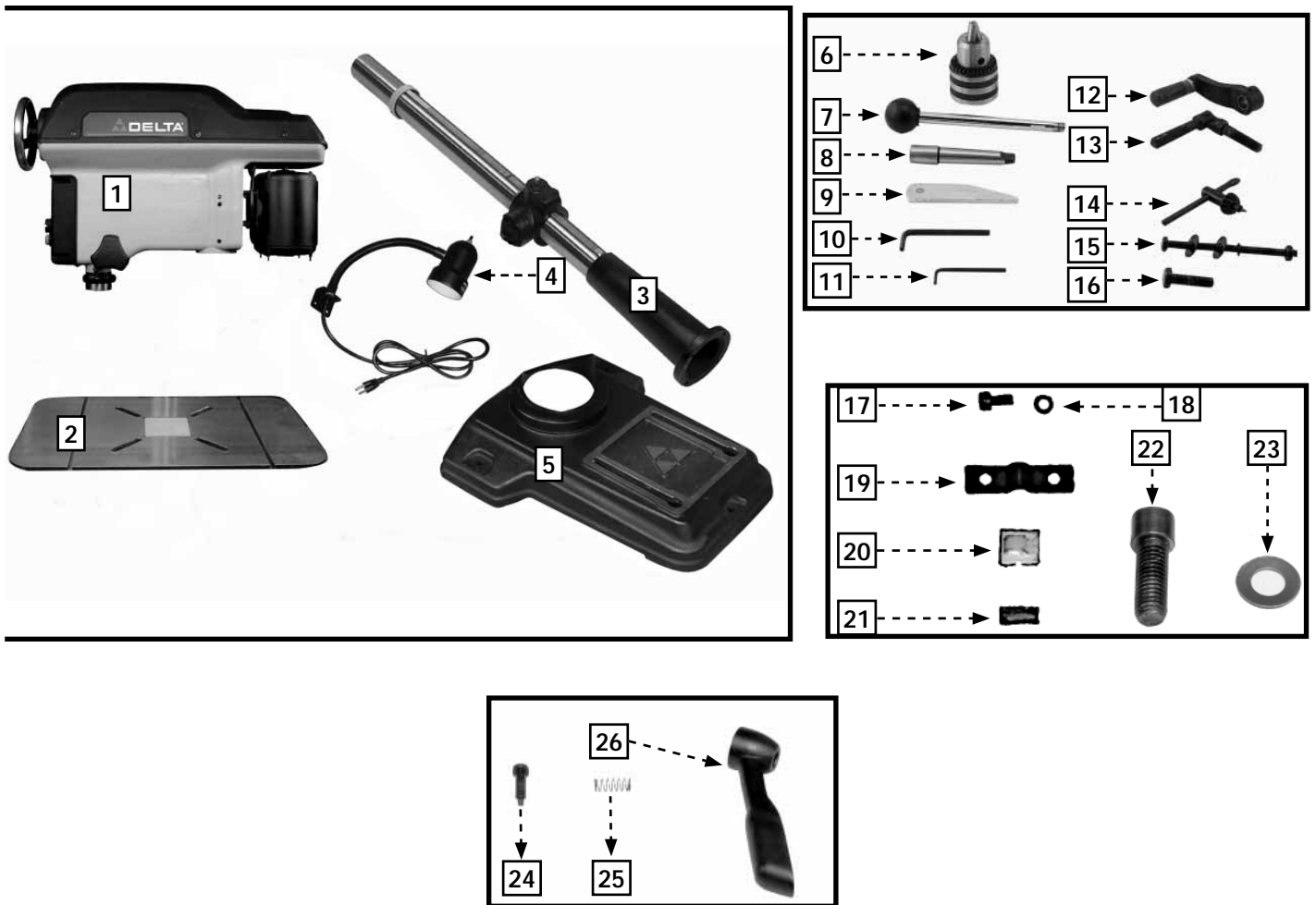
## DESCRIPTION FONCTIONNELLE

#### AVANT-PROPOS

La perceuse à colonne Delta 20-950 est une perceuse à colonne de 508 mm (20 po). L'appareil de service intensif comporte un moteur à induction de 1 HP alimenté sur 120/240 volts, un mandrin de 15,9 mm (5/8 po) et une clé, une table en fonte, un mécanisme de relèvement à engrenages à crémaillère et une butée de profondeur externe. Le modèle 20-950 dispose d'une table inclinable pour le perçage en angle, de rebords latéraux et de fentes parallèles pour la fixation rapide de la pièce.

**REMARQUE :** La photo de la couverture du mode d'emploi illustre le modèle de production actuel. Les autres illustrations de ce mode d'emploi ne sont présentes qu'à titre indicatif et il est possible que les étiquettes et accessoires actuels diffèrent des caractéristiques réelles de ce modèle. Ces illustrations ont uniquement pour but d'illustrer la technique.

# CONTENUS DE BOITE



- |   |  |
|---|--|
| <ol style="list-style-type: none"> <li>1. Tête de la perceuse à colonne</li> <li>2. Table</li> <li>3. Support de table et colonne</li> <li>4. Léger</li> <li>5. Base</li> <li>6. Mandrin</li> <li>7. (3) poignées</li> <li>8. Adaptateur de broche</li> <li>9. Clé de débouillage</li> <li>10. Clé hexagonale de 5 mm</li> <li>11. Clé hexagonale de 3 mm</li> <li>12. Poignée de relevage et d'abaissement de la table</li> <li>13. Poignée de fixation de la table</li> <li>14. Clé de mandrin</li> </ol> | <ol style="list-style-type: none"> <li>15. (3) vis de carrosserie M8 x 1,25 x 125 mm, (4) rondelles plates, (2) rondelles de blocage et (2) écrous hexagonaux (pour la fixation de la perceuse à colonne à une surface portante)</li> <li>16. (4) vis à tête hexagonale M10 x 1,5 x 40 mm</li> <li>17. (2) vis d'assemblage à tête hexagonale de M6 x 1 x 12 mm</li> <li>18. Rondelles de 6,4 mm (1/4 po)</li> <li>19. Protecteur de cordon</li> <li>20. (2) colliers de cordon</li> <li>21. Bague du cordon</li> <li>22. Boulon à tête hexagonale de 12 mm</li> <li>23. Rondelle Belleville</li> <li>24. (2) vis</li> <li>25. (2) ressorts</li> <li>26. Leviers pour inclinaison avant</li> </ol> |
|---|--|

## DÉSEMBALLAGE ET NETTOYAGE

Désemballer soigneusement la machine et toutes les pièces de ou des emballage(s) d'expédition. Retirer l'huile anticorrosion des surfaces non peintes à l'aide d'un chiffon doux humidifié avec de l'alcool, du diluant à peinture ou de l'alcool dénaturé.

**⚠ ATTENTION :** N'utiliser pas de solvants hautement volatils tel l'essence, le naphte, l'acétone ou du diluant à laque pour nettoyer.

Après nettoyage, couvrir les surfaces non peintes d'une cire à parquets d'usage domestique de bonne qualité.

# ASSEMBLAGE

**⚠ AVERTISSEMENT :** RISQUE D'UTILISATION DANGEREUSE. Pour votre propre sécurité, ne pas brancher la machine à une source d'alimentation jusqu'à ce que la machine soit entièrement assemblée, ni avant d'avoir lu et compris l'intégralité de ce mode d'emploi.

## OUTILS NÉCESSAIRES POUR L'ASSEMBLEE

Clés hexagonales de 3 mm et 5 mm (fournies)  
Clés à fourche ou clés à douilles de 10 mm, 17 mm et 24 mm (non fournies)

## L'ESTIMATION DE TEMPS D'ASSEMBLEE

L'Assemblée pour cette machine prend une heure.

1. Pour la fixation de la perceuse à colonne à un emplacement permanent, fixer la base de l'appareil à la surface portante avec les attaches enfilées dans les trois trous de fixation (A) fig. 1, de la base de la perceuse à colonne.

**⚠ AVERTISSEMENT :** RISQUE D'UTILISATION DANGEREUSE. Si la perceuse à colonne n'est pas fixée de façon permanente, la fixer sur une planche de montage en contreplaqué pour empêcher la perceuse à colonne de basculer en cours d'utilisation normale.

**⚠ AVERTISSEMENT :** RISQUE D'UTILISATION DANGEREUSE. Utiliser du contreplaqué de bonne qualité et d'une épaisseur minimale de 19 mm (3/4 po). Ne pas construire de planche de montage en aggloméré car l'aggloméré se fend facilement.

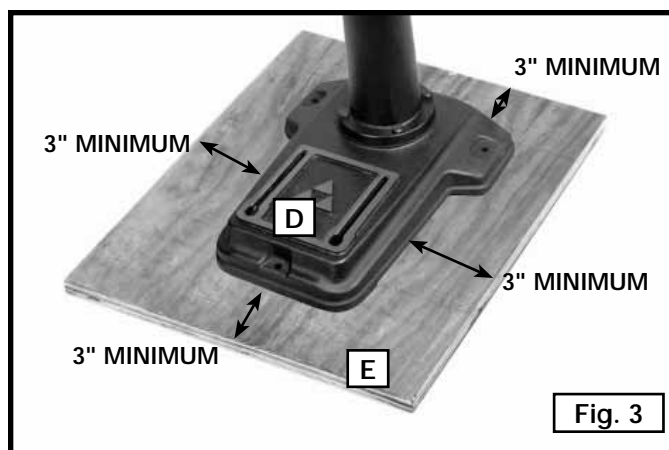
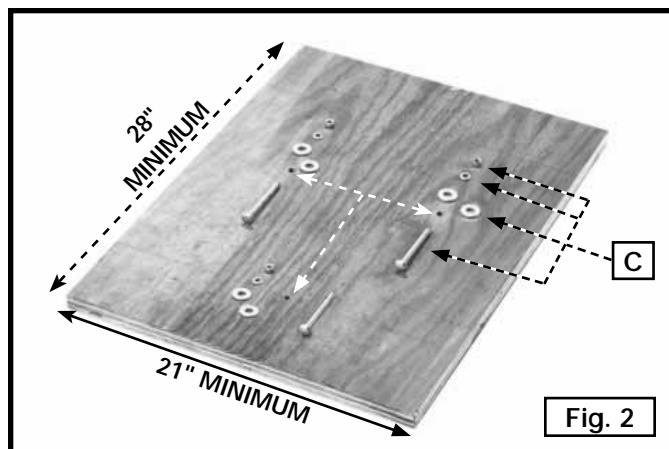
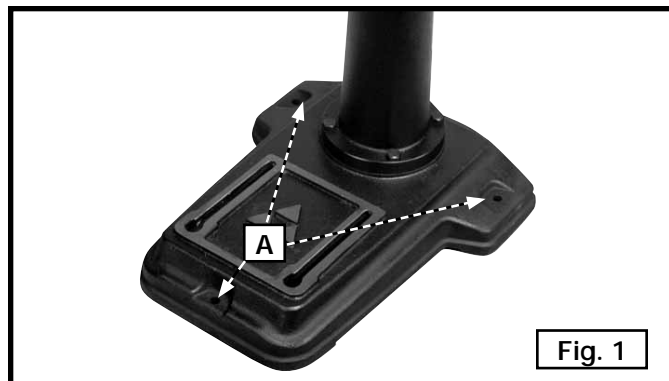
2. Utiliser une base en contreplaqué de dimensions minimales comme stipulé à la fig. 2 pour fixer la base de la perceuse à colonne à la surface portante.
3. Installer la base de la perceuse à colonne (D), fig. 3, au centre de la surface portante (E).

**⚠ AVERTISSEMENT :** RISQUE D'UTILISATION DANGEREUSE. S'assurer que la planche de contreplaqué dépasse au moins de 76,2 mm (3 po) des quatre côtés de la base comme le montre la fig. 5.

4. Percer trois trous de 9,5 mm (3/8 po) de diamètre dans les trous (A), fig. 1, de la base de la perceuse à colonne et dans la surface portante (E), fig. 3.

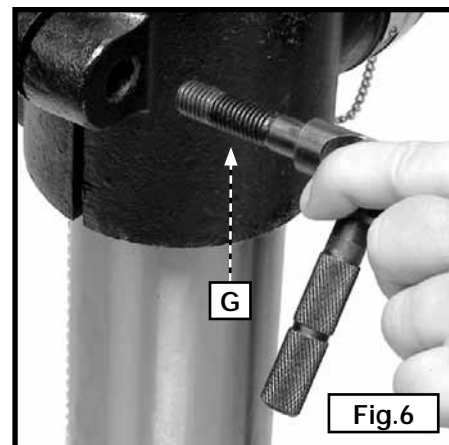
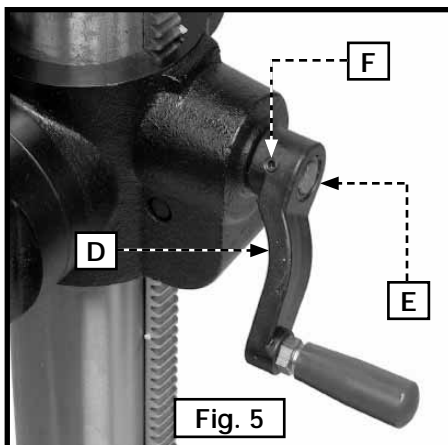
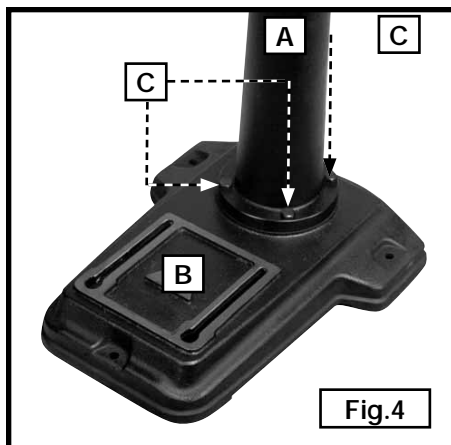
**REMARQUE :** placer un morceau de retaille de bois sous la surface portante, lors du perçage des trous, pour éviter que la mèche n'endommage le matériau situé sous cette surface.

5. Fixer la base de la perceuse à colonne à la planche de montage à l'aide des boulons de carrosserie, rondelles plates, rondelles de blocage et écrous hexagonaux (C), fig. 2, fournis avec la perceuse à colonne. Les trous pour les têtes de boulons de carrosserie et les rondelles plates doivent être noyés de sorte que les têtes de boulon affleurent avec ou sont sous la surface inférieure de la planche. Utiliser une rondelle plate, une rondelle de blocage et un écrou hexagonal au-dessus de la base de la perceuse à colonne.



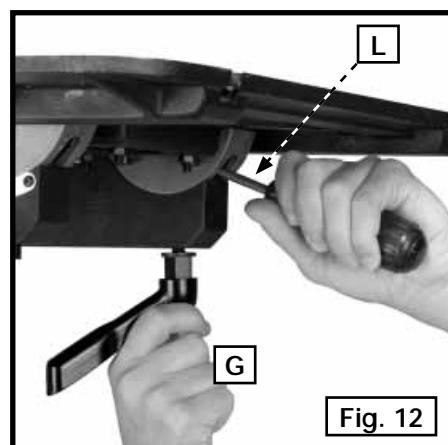
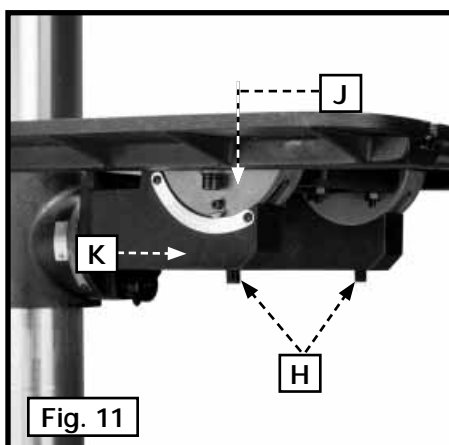
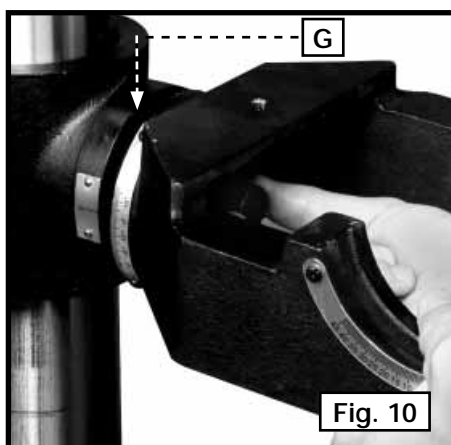
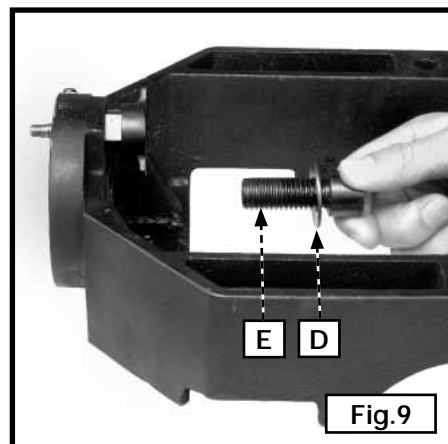
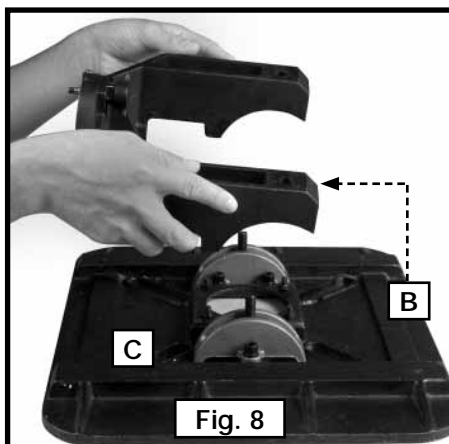
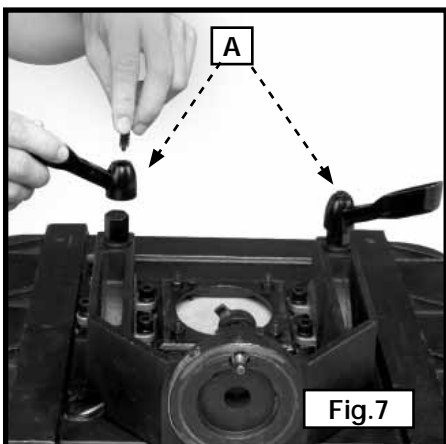
**⚠ AVERTISSEMENT : RISQUE D'UTILISATION DANGEREUSE.** Il faut fixer la base en contreplaqué au sol ou à la surface d'appui si la perceuse à colonne a tendance à vibrer, glisser ou avancer durant une opération courante.

6. Fixer la colonne (A), fig. 4, à la base (B) à l'aide des quatre vis à tête hexagonale (C) M10 x 40 mm dont trois sont illustrées.
7. Fixer la poignée de réglage de la table (D), fig. 5, à l'arbre de la vis sans fin (E). Serrer la vis (F) contre le méplat de l'arbre avec la clé de 3 mm fournie.
8. Visser la poignée de l'étau de table (G), fig. 6, dans le trou à l'arrière du support de la table.



9. Fixer les leviers à la face inférieure de la table en tournant la vis du levier en sens horaire (fig. 7).
10. Retirer les deux modules complets des leviers (A) fig. 7, en les tournant en sens antihoraire. Retirer les rondelles.
11. Soulever le support de la table (B) fig. 8, de la table (C).
12. Mettre la rondelle Belleville (D) fig. 9, avec le côté en relief contre le boulon de 12 mm (E).
13. Enfiler le boulon dans le support de la table, puis dans le trou du joint d'articulation (G) fig. 10. Serrer solidement.
14. Aligner les boulons (H) du tourillon (J) avec les trous du support de la table (K).
15. Remettre en place les rondelles et les ensembles de leviers retirés à L'ÉTAPE 10. Serrer solidement.

**REMARQUE :** les boulons logés dans le tourillon sont mobiles. Pour remettre plus facilement les leviers, insérer un tournevis à tête plate (L), fig. 12, dans l'ouverture du tourillon, contre les boulons pour les stabiliser.

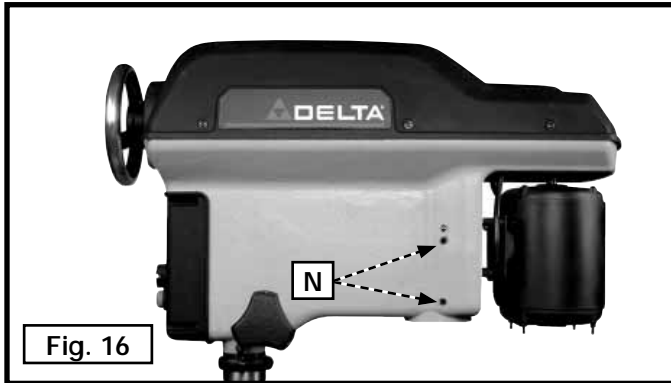




## FIXATION DU CHARIOT PORTE-BROCHE À LA COLONNE

**⚠ CAUTION** RISQUE DE BLESSURES CORPORELLES  
- le chariot du porte-broche est très lourd. Installer le chariot du porte-broche sur la colonne à l'aide de deux personnes ou plus..

Glisser la tête de la perceuse à colonne (K), fig. 15, sur la colonne aussi loin que possible. Aligner la tête de la perceuse (K), fig. 15, avec la table (L) et la base (M). Serrer les deux vis de blocage (N), fig. 16, avec la clé de 5 mm fournie.

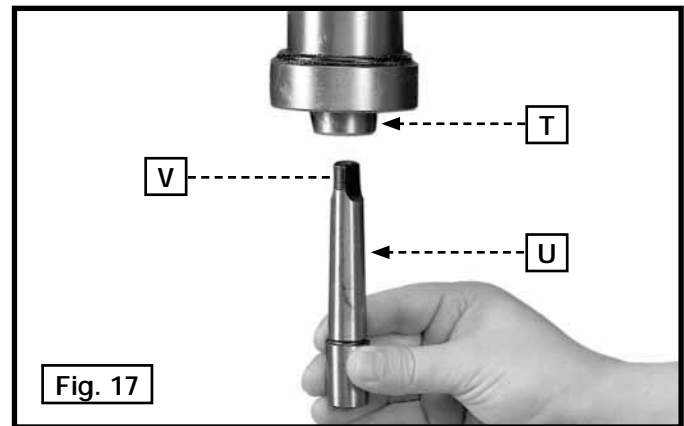


### INSTALLING THE CHUCK

**IMPORTANT** : s'assurer que le trou conique au fond de la broche (T), fig. 17, et le bout conique de l'adaptateur de la broche (U) sont propres et exempts de graisse et de couches protectrices de vernis ou d'antirouille.

**REMARQUE** : un nettoyeur à four domestique enlève efficacement ces enduits de la broche et de son adaptateur. Toutefois, suivre soigneusement les consignes de sécurité du fabricant lors de son utilisation.

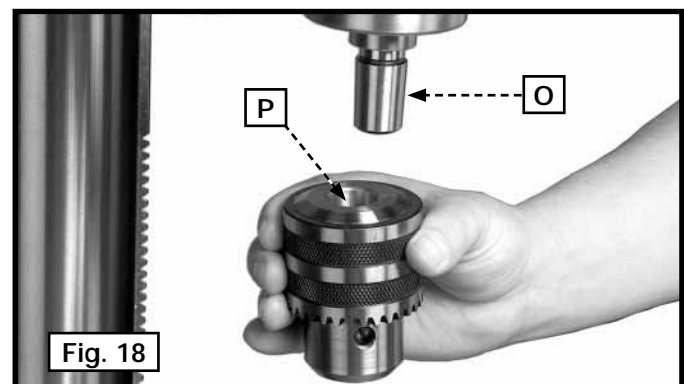
Enfoncer l'adaptateur de la broche (U), fig. 17, dans la broche (T) tout en s'assurant que le tenon d'entraînement (V) s'insère parfaitement dans la rainure de contact à l'intérieur de la broche (T).



**IMPORTANT** : s'assurer que le cône de la broche (O), fig. 18, et le trou conique du mandrin (P) sont propres et exempts de graisse, de laque ou d'enduit anticorrosion.

**REMARQUE** : un nettoyeur à four domestique nettoie efficacement toute substance sur le mandrin. Cependant, suivre soigneusement les règles de sécurité du fabricant lors de l'utilisation.

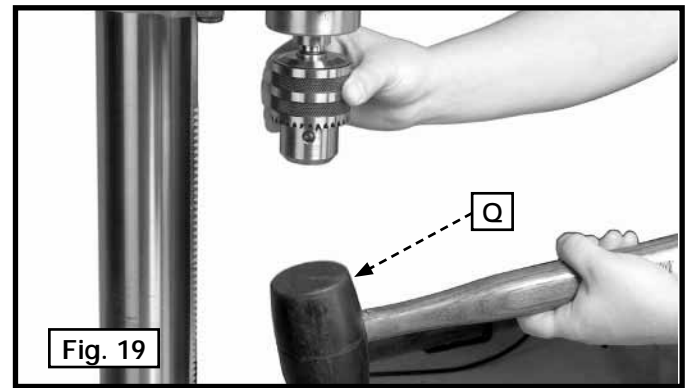
**IMPORTANT** : ouvrir les mâchoires du mandrin autant que possible tout en s'assurant que les mâchoires sont à l'intérieur du mandrin.





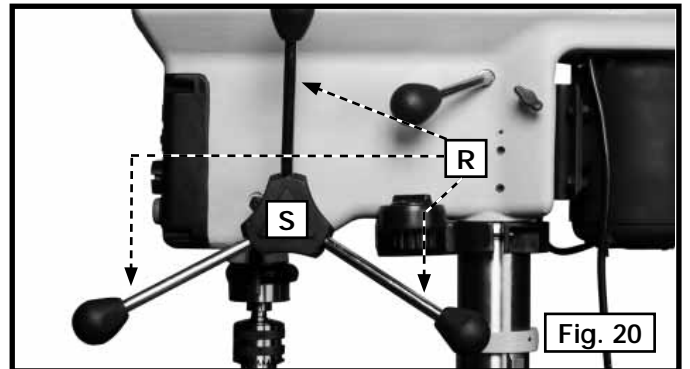
Tenir le mandrin sur le bout conique de la broche. Taper avec un marteau-caoutchouc (Q) fig. ou un bloc de bois et un marteau pour fixer le mandrin.

**⚠ ATTENTION :** RISQUE DE DOMMAGES À LA PROPRIÉTÉ. Pour empêcher tout dommage au mandrin, ne JAMAIS enfoncer le mandrin sur la broche à l'aide d'un marteau en métal.



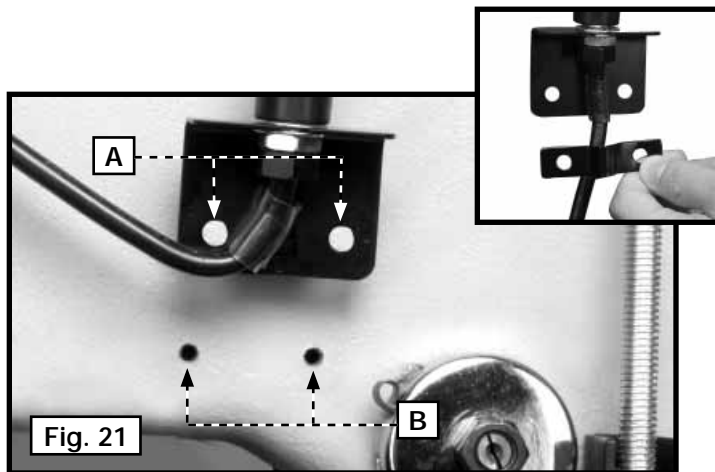
## FIXATION DES POIGNÉES DE L'ARBRE PIGNON

Visser les trois poignées (R) de l'arbre pignon dans les trois trous taraudés situés sur l'arbre pignon (S), fig. 20.

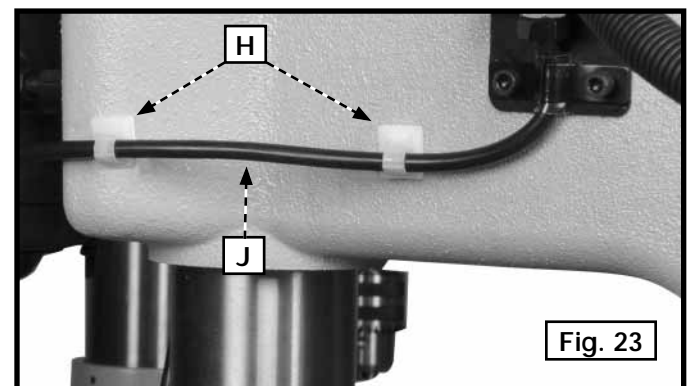


## FIXATION DU RENFORT DE CORDON

1. Aligner les deux trous du support de la lampe (A), fig. 21, avec les deux trous (B) sur le côté de la tête de la perceuse à colonne.
2. Placer la bague du cordon (en médaillon), fig. 21, autour de la partie supérieure du cordon de la lampe (D).
3. Aligner les deux trous du support du cordon de la lampe avec ceux du support de la lampe et de la tête de la perceuse à colonne.
4. Enfiler une rondelle de 6,4 mm (1/4 po) sur une vis à tête M6 x 1 x 12 mm. Insérer la vis dans le trou du support de protecteur de cordon et du support de la lampe. Visser la vis dans la tête de la perceuse à colonne (fig. 22). Répéter ces étapes pour l'autre trou du renfort et serrer solidement les deux vis.



5. Décoller l'endos des colliers de cordon (H) fig. 23, et les coller aux endroits illustrés. S'assurer que le cordon est acheminé loin de la perceuse, puis fixer le cordon (J) au collier de cordon (H) fig. 23.



# FONCTIONNEMENT

## L'OPERATION CONTROLE DE LE ET LES AJUSTEMENT

### DÉMARRAGE ET ARRÊT DE PERCEUSE À COLONNE

1. Les interrupteurs (on-off) (A et le B) fig. 24A sont localisé sur le devant de la presse d'exercice. Pour allumer la machine, déprimer le « SUR » le commutateur.
2. Pour éteindre la machine, déprimer le « » du commutateur.

**⚠ AVERTISSEMENT :** S'assurer que l'interrupteur se trouve sur la position d'arrêt avant de brancher le cordon d'alimentation dans la prise. Ne pas toucher aux lames métalliques de la fiche lors du branchement ou débranchement du cordon.

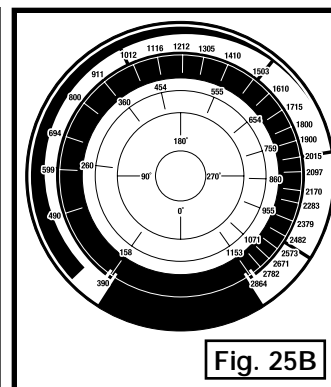
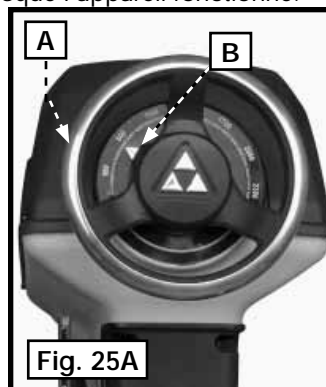
**IMPORTANT :** Lorsque l'outil n'est pas utilisé, l'interrupteur doit être verrouillé à la position « OFF »(ARRÊT) pour empêcher toute utilisation non autorisée, avec un cadenas (C) fig. 24B comportant un arceau de 3/16 po de diamètre.



### RÉGLAGE DE LA VITESSE DE LA BROCHE

**CAUTION:** Régler la vitesse de la broche UNIQUEMENT lorsque l'appareil fonctionne.

1. Déterminer la vitesse adéquate pour l'outil de coupe (mèches, tambours, etc.)
2. Appuyer sur le bouton de MARCHE (« ON ») pour mettre l'appareil sous tension.
3. Utiliser les deux mains pour tourner le volant de réglage de vitesse (A) fig. 25, jusqu'à ce que le pointeur (B) indique la vitesse correcte.
4. Fig. 25B illustre les vitesses.



### LAMPE FLEXIBLE

La lampe flexible fonctionne indépendamment de la perceuse à colonne. Pour ALLUMER ou ÉTEINDRE la lampe, tourner l'interrupteur (A), fig. 26.

**⚠ AVERTISSEMENT :** RISQUE D'INCENDIE. Pour réduire les risques d'incendie, utiliser une ampoule de type sur rail à réflecteur de 40 watts ou moins, 120 V (non fournie). NE PAS UTILISER une ampoule domestique standard. L'ampoule de type sur rail à réflecteur ne doit pas dépasser l'abat-jour.

**⚠ AVERTISSEMENT :** RISQUE DE BLESSURES CORPORNELLES. Débrancher la machine avant d'effectuer des réglages.



## RÉGLAGES DE LA TABLE

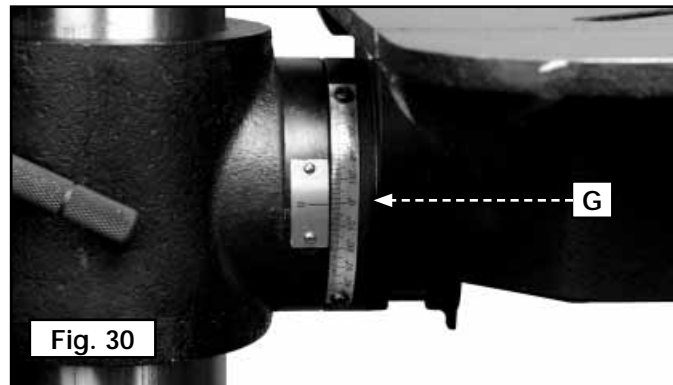
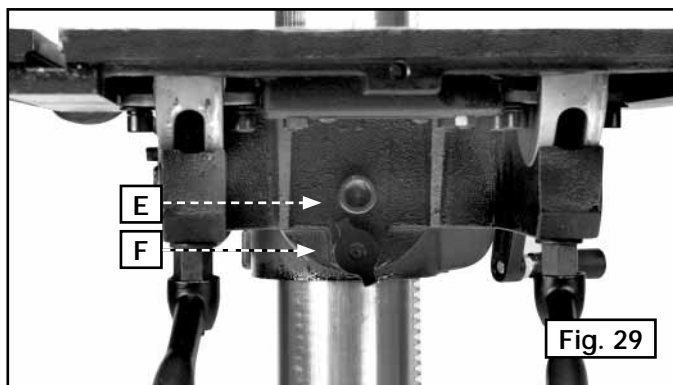
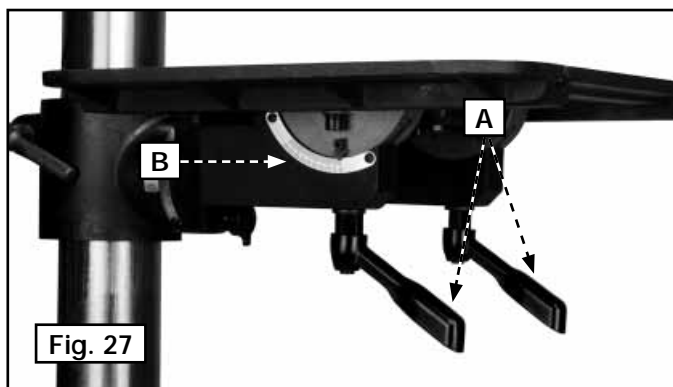
**▲ AVERTISSEMENT : RISQUE DE BLESSURES CORPORELLES.** S'assurer que rien ne repose sur la table et que la pièce est bien fixée. La chute d'objets risque de provoquer une blessure.

Il est également possible d'incliner la table vers l'avant, de zéro (0) à 45 degrés. Pour effectuer le réglage, procéder comme suit :

1. Desserrer les deux leviers d'inclinaison avant (A), fig. 27.
2. Régler la table à l'angle souhaité. L'échelle est (B) fig. 27, située sur le côté du support de la table.
3. Serrer les leviers (A) fig. 27.
4. Une butée fixe (C) fig. 28, est fournie de sorte que la table revienne en position zéro degré. Pour régler la butée, tourner la vis/butée (C), logée sous la table. Serrer le contre-écrou pour fixer solidement la butée.

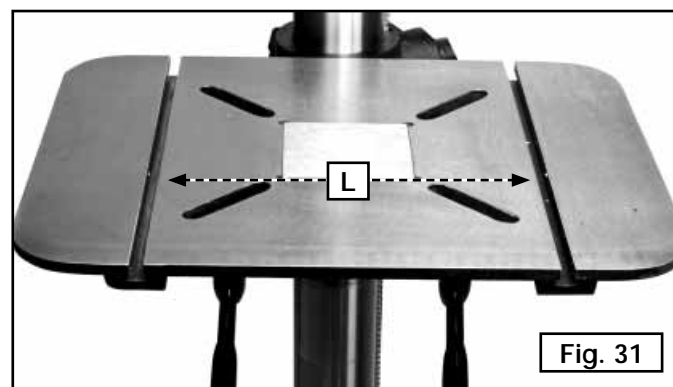
Il est possible d'incliner la table à gauche ou à droite. Des butées fixes sont comprises pour les angles de 0, 45 et 90 degrés. Pour effectuer le réglage, procéder comme suit :

1. Desserrer le boulon de la table (E) fig. 29, d'environ un quart de tour avec la clé hexagonale de 14 mm fournie.
2. Retirer la goupille d'arrêt à ressort (F).
3. Faire pivoter la table à l'angle souhaité. Le joint d'articulation derrière la table est muni d'une échelle d'inclinaison (G), fig. 30. L'utilisation de cette échelle assure la précision. Il est possible de laisser glisser la goupille d'arrêt dans les butées fixes (0, 45 et 90 degrés). Vérifier toutefois l'exactitude de l'angle sur l'échelle.
4. Serrer le boulon de la table.



### RAINURES EN T

La table de la perceuse à colonne est munie de deux rainures en T (L), fig. 31, pour l'utilisation de divers accessoires de perceuse à colonne dont les butoirs d'arrêt, les guides ou les colliers. Utiliser les boulons à T de 7,9 mm (5/16 po) pour fixer l'accessoire à la table.



## PERÇAGE DE TROUS À PROFONDEUR DÉFINIE

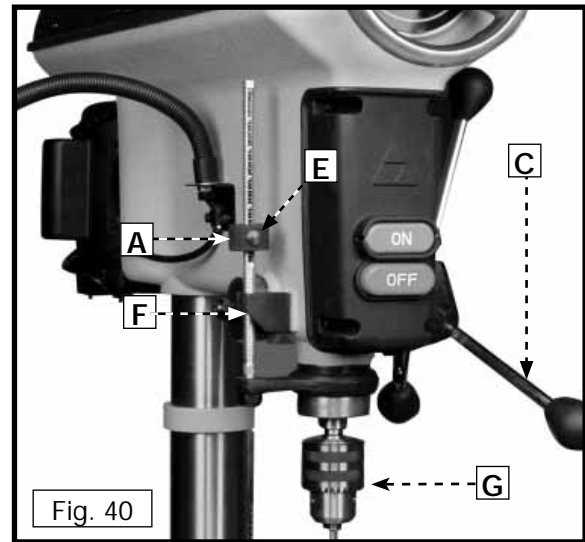
Pour percer un certain nombre de trous à la même profondeur, utiliser l'écrou de blocage (A), fig. 40, sur la tige à butée fileté (B).

**⚠ AVERTISSEMENT :** Débrancher la machine de la source de pouvoir.

1. Insérer la mèche dans le mandrin.
2. Abaisser le mandrin (G), fig. 40, et la mèche à la profondeur choisie en tournant les poignées (C) de l'arbre pignon. Verrouiller le fourreau en position en serrant le levier de blocage du fourreau (consulter (B) fig. 43) du côté droit de la tête, sous les poignées de l'arbre pignon.

REMARQUE : le levier de blocage du fourreau est à ressort. Changer sa position en sortant la poignée et en replaçant le moyeu de la poignée sur l'écrou logé sous le moyeu.

3. Enfoncer le bouton à ressort (E), fig. 40, et déplacer l'écrou d'arrêt (A) jusqu'à ce que la base de l'écrou touche la butée (F). Desserrer le levier de blocage du fourreau (D) pour permettre au mandrin et à la mèche de revenir en position élevée.
4. Brancher l'appareil au bloc d'alimentation et percer un trou d'essai pour vérifier le réglage. Régler de nouveau au besoin en tournant l'écrou d'arrêt (A), fig. 40, pour le réglage fin. Il n'est pas indispensable d'enfoncer le bouton (E) pour faire tourner l'écrou d'arrêt (A).



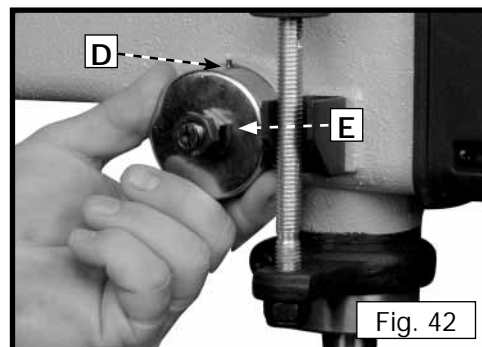
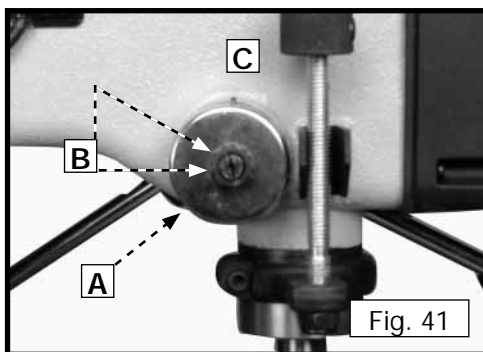
## RÉGLAGE DU RESSORT DE RAPPEL DE LA BROCHE

La broche retournera automatiquement et lentement à sa position élevée dès que la poignée est relâchée. Toutefois, si un réglage s'avère nécessaire, procéder comme suit :

**⚠ AVERTISSEMENT :** Débrancher la machine de la source de pouvoir.

1. Desserrer les écrous (B) fig. 41, sans toutefois les retirer. S'assurer que le boîtier du ressort (A) demeure en prise avec le boîtier de la tête (C).
2. Tout en maintenant solidement le boîtier du ressort (fig. 42), retirer le boîtier et le tourner (en sens antihoraire pour augmenter et en sens horaire pour diminuer) jusqu'à ce que la protubérance (D) s'engage dans l'encoche suivante du boîtier. Serrer les deux écrous (B) fig. 41, pour maintenir le boîtier en position.

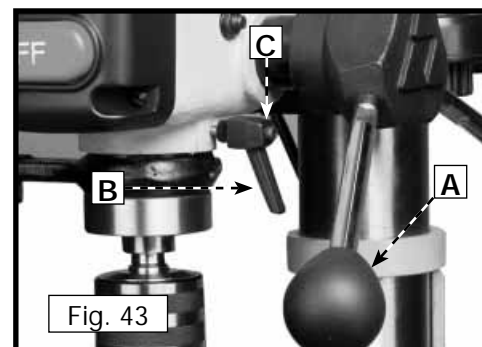
**IMPORTANT :** l'écrou intérieur (E), fig. 42, ne doit pas entrer en contact avec l'enveloppe du ressort (A), fig. 41.



## RELÈVEMENT ET ABAISSEMENT DE LA BROCHE

Relever et abaisser la broche avec les poignées du pignon (A), fig. 43. Le fourreau peut être verrouillé à tout point de son déplacement en serrant le levier de blocage (B).

REMARQUE : le levier de blocage du fourreau (B) est pourvu d'un ressort. Sortir la poignée et la repositionner sur son embout femelle (C).





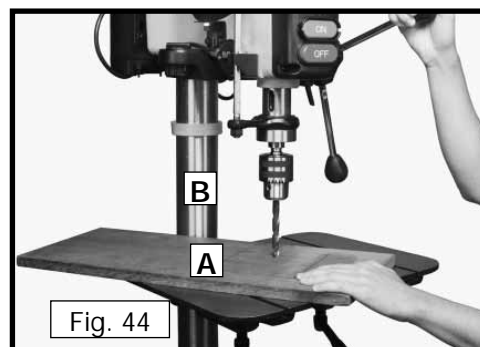
## UTILISATION DE LA MACHINE

**REMARQUE** : utiliser des forets dont le tenon présente un diamètre maximal de 15,9 mm (5/8 po).

**REMARQUE** : après la pose d'un foret, utiliser la clé fournie pour serrer les trois emplacements sur le mandrin.

**⚠ AVERTISSEMENT** : L'utilisation de pièces et d'accessoires non recommandés par Delta risque de provoquer une blessure.

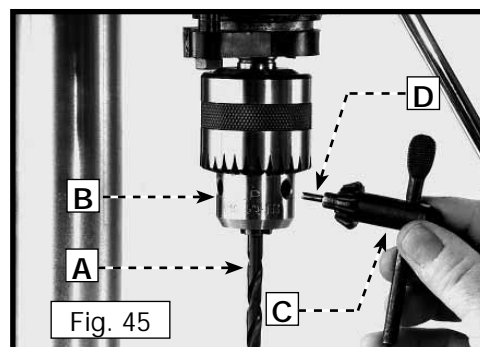
**IMPORTANT** : si la pièce (A), fig. 44, est suffisamment longue, la mettre sur la table de manière à ce qu'une extrémité repose contre le côté gauche de la colonne (B) pour empêcher la pièce de tourner. Si la pièce ne peut être appuyée contre la colonne, la fixer à la table.



### POSE ET DÉPOSE DES FORETS

**REMARQUE** : utiliser des forets dont le tenon présente un diamètre maximal de 15,9 mm (5/8 po).

**⚠ AVERTISSEMENT** : Débrancher la machine de la source de pouvoir.



1. Insérer l'extrémité lisse du foret (A), fig. 45, dans le mandrin (B) aussi loin que possible, puis sortir le foret de 1,6 mm (1/16 po) ou jusqu'aux goujures pour les petits forets.
2. Centrer le foret (A), fig. 45, dans le mandrin (B) avant de serrer le mandrin à l'aide de la clé (C).
3. Tourner la clé de mandrin (C), fig. 45, dans le sens horaire pour serrer et dans le sens antihoraire pour desserrer les mâchoires du mandrin.
4. Serrer les trois mâchoires du mandrin pour fixer suffisamment le foret et éviter tout glissement.
5. Enlever la clé de mandrin (C), fig. 45, du mandrin avant de démarrer la perceuse à colonne. La clé de mandrin (C) est pourvue d'une goupille à éjection automatique (D) qui permet de réduire le risque de laisser la clé dans le mandrin.

### VITESSES DE PERÇAGE APPROPRIÉES

Les facteurs qui déterminent la vitesse adéquate sont les suivants : 1) la pièce, 2) la taille du trou, 3) le type de foret ou de l'outil de coupe et 4) la qualité de la coupe.

**⚠ WARNING** Utiliser la vitesse recommandée pour le foret de la perceuse à colonne et la pièce.

## BOIS DE PERÇAGE

Les forets hélicoïdaux, conçus généralement pour le perçage de métaux, s'utilisent aussi pour le perçage du bois. Toutefois, on privilégie habituellement les forets en étoile de machine pour le travail dans le bois. Ces forets percent un trou à fond plat et ils sont conçus pour retirer les copeaux de bois. Ne pas utiliser les forets à main (bout vissable). Aux vitesses utilisées par la perceuse à colonne, ces forets se soulèvent et font tourner la pièce.

Pour un perçage complet, aligner la pièce de manière à ce que le foret traverse le trou central de la table. Tracer une ligne verticale devant la colonne et une marque correspondante sur le support de la table et la tête de la perceuse à colonne de sorte que la table et la tête puissent se fixer en position centrale à n'importe quelle hauteur.

Acheminer la pièce lentement lorsque le foret est pour percer le bois afin d'éviter l'éclatement de la face inférieure. Utiliser une retaille de bois comme bloc en bois sous la pièce pour réduire l'éclatement du bois et protéger la pointe du foret.

## PERÇAGE DU MÉTAL

Utiliser des pinces pour bloquer les pièces métalliques. Ne jamais tenir une pièce à main nue. Le foret peut gripper la pièce en tout temps, surtout au moment de percer la pièce, ce qui peut endommager la machine ou vous blesser. Le foret brisera si la pièce heurte la colonne.

Bloquer fermement la pièce. Une inclinaison, une torsion ou un déplacement risque non seulement de produire un trou irrégulier, mais aussi de briser le foret. Pour un ouvrage plat, déposer la pièce sur une base de bois et la fixer fermement contre la table pour l'empêcher de tourner. Si la pièce présente une forme irrégulière et ne peut reposer à plat sur la table, bien la fixer ou la bloquer.

## DEPANNAGE

Pour l'assistance avec votre outil, visiter notre site web à [www.deltamachinery.com](http://www.deltamachinery.com) pour une liste de centres de maintenance ou appeler la ligne d'aide de Delta Machinery à 1-800-223-7278. (Canada: 1-800-463-3582).

## ENTRETIEN

### GARDER LA MACHINE PROPRE

Dégager régulièrement toutes les conduites d'air avec de l'air comprimé sec. Toutes les pièces en plastique doivent être nettoyées à l'aide d'un chiffon doux humide. NE JAMAIS utiliser de solvants pour nettoyer les pièces en plastique. Les solvants peuvent dissoudre ou endommager le matériel.

**▲ AVERTISSEMENT :** Porter des protections oculaire et auditive homologuées et utiliser un appareil respiratoire lors de l'utilisation d'air comprimé.

### DÉMARRAGE IMPOSSIBLE

Si la machine ne démarre pas, s'assurer que les lames de la fiche du cordon d'alimentation sont bien enfoncées dans la prise de courant. Vérifier également que les fusibles ne sont pas grillés ou que le disjoncteur ne s'est pas déclenché.

### LUBRIFICATION ET PROTECTION CONTRE LA ROUILLE

Appliquer chaque semaine une cire à parquets d'usage domestique sur la table de la machine, sur la rallonge de table ou toute autre surface de travail. Ou utiliser un produit protecteur commercial conçu à cet effet. Suivre les directives du fabricant pour l'utilisation et la sécurité.

Pour nettoyer les tables en fonte contre la rouille, utiliser le matériel suivant : une feuille de papier à poncer Scotch-Brite™ medium, une boîte de WD-40® et une boîte de dégraissant. Appliquer le WD-40 et polir la surface de la table avec le papier à poncer Scotch-Brite. Dégraisser la table puis appliquer le produit protecteur comme décrit ci-dessus.

## SERVICE

Utiliser seulement des pièces de rechange identiques. Pour obtenir une liste des pièces de rechange ou pour en commander, consulter notre site Web au [servicenet.deltamachinery.com](http://servicenet.deltamachinery.com). Commander aussi des pièces auprès d'une succursale d'usine ou composer le 1-800-223-7278 pour le service à la clientèle et recevoir ainsi une assistance personnalisée de techniciens bien formés.

## ENTRETIEN ET RÉPARATION

Tous les outils de qualité finissent par demander un entretien ou un changement de pièce. Pour de plus amples renseignements à propos de Delta Machinery, ses succursales d'usine ou un centre de réparation sous garantie autorisé, consulter notre site Web au [www.deltamachinery.com](http://www.deltamachinery.com) ou composer le 1-800-223-7278 pour le service à la clientèle. Toutes les réparations effectuées dans nos centres de réparation sont entièrement garanties contre les défauts de matériaux et de main-d'oeuvre. Nous ne pouvons garantir les réparations effectuées en partie ou totalement par d'autres.

Pour de plus amples renseignements par courrier, écrire à Delta Machinery, 4825 Highway 45 North, Jackson, Tennessee 38305, É.-U. – à l'attention de : Product Service. S'assurer d'indiquer toutes les informations figurant sur la plaque signalétique de l'outil (numéro du modèle, type, numéro de série, etc.).



## REEMPLACEMENT GRATUIT DE L'ÉTIQUETTE

Si vos étiquettes d'avertissement deviennent illisibles ou sont manquantes, composez le 1-800-223-7278 pour obtenir une étiquette de remplacement gratuite.

**⚠ WARNING** FOR YOUR OWN SAFETY, READ AND UNDERSTAND INSTRUCTION MANUAL BEFORE OPERATING DRILL PRESS. ALWAYS WEAR EYE PROTECTION AND WEAR PROPER RESPIRATORY PROTECTION. DO NOT WEAR GLOVES, NECKTIES, JEWELRY OR LOOSE CLOTHING. ALWAYS CLAMP WORKPIECE OR BRACE IT AGAINST COLUMN TO PREVENT ROTATION. KEEP HANDS AWAY FROM ROTATING BIT OR ACCESSORY. USE RECOMMENDED SPEED FOR THE DRILL AND WORKPIECE MATERIAL. BE SURE DRILL BIT OR CUTTING TOOL IS NOT DAMAGED AND PROPERLY LOCKED IN THE CHUCK BEFORE OPERATING. MAKE CERTAIN CHUCK KEY IS REMOVED BEFORE STARTING DRILL PRESS. DISCONNECT MACHINE FROM POWER SOURCE BEFORE MAKING REPAIRS OR ADJUSTMENTS. DO NOT EXPOSE TO RAIN OR USE IN DAMP LOCATIONS.

**⚠ ADVERTENCIA** POR SU PROPIA SEGURIDAD, LEA Y COMPRENDA EL MANUAL DE INSTRUCCIONES ANTES DE UTILIZAR LA PRENSA DE TALADRO. SIEMPRE UTILICE PROTECCIÓN PARA LOS OJOS Y PROTECCIÓN APROPIADA PARA LA RESPIRACIÓN. NO USE GUANTES, CORBATAS, JOYAS NI ROPA HOLGADA. SIEMPRE SUJETE LA PIEZA DE TRABAJO CON ABRAZADERAS O AMÁRRELA CONTRA LA COLUMNA PARA EVITAR LA ROTACIÓN. MANTENGA LAS MANOS LEJOS DE LA BROCA O ACCESORIOS GIRATORIOS. USE LA VELOCIDAD RECOMENDADA PARA EL TALADRO Y EL MATERIAL DE LA PIEZA DE TRABAJO. ASEGÚRESE DE QUE LA BROCA DEL TALADRO O LA HERRAMIENTA DE CORTE NO ESTÉN DAÑADAS Y DE QUE ESTÉN CORRECTAMENTE BLOQUEADAS EN EL PORTABROCAS ANTES DE SU OPERACIÓN. ASEGÚRESE DE RETIRAR LA LLAVE DE PORTABROCAS ANTES DE ENCENDER LA PRENSA DE TALADRO. DESCONECTE LA MÁQUINA DE LA FUENTE DE ALIMENTACIÓN ANTES DE REALIZAR REPARACIONES O AJUSTES. NO EXPONGA A LA LLUVIA NI UTILICE EN LUGARES HÚMEDOS.

**⚠ AVERTISSEMENT** POUR VOTRE PROPRE SÉCURITÉ, BIEN LIRE ET COMPRENDRE LE MODE D'EMPLOI AVANT D'UTILISER LA PERCEUSE À COLONNE. TOUJOURS PORTER UNE PROTECTION OCULAIRE ET DES ARTICLES DE PROTECTION DES VOIES RESPIRATOIRES APPROPRIÉS. NE PAS PORTER DE GANTS, CRAVATES, BIJOUX OU VÊTEMENTS AMPLES. TOUJOURS FIXER LA PIÈCE OU BIEN LA CALER CONTRE LA COLONNE POUR EMPÊCHER UNE ROTATION. TENIR VOS MAINS ÉLOIGNÉES DE LA MÈCHE ROTATIVE OU ACCESSOIRE. UTILISER LA VITESSE RECOMMANDÉE POUR LA PERCEUSE ET LE MATÉRIEL DE LA PIÈCE À PERCER. S'ASSURER QUE LA MÈCHE OU L'ORGANE DE COUPE N'EST PAS ENDOMMAGÉ ET QU'IL EST BIEN VERROUILLÉ DANS LE MANDRIN AVANT SON UTILISATION. S'ASSURER DE RETIRER LA CLÉ DU MANDRIN AVANT DE DÉMARRER LA PERCEUSE DE COLONNE. DÉBRANCHER LA MACHINE DE LA SOURCE D'ALIMENTATION AVANT D'EFFECTUER DES RÉPARATIONS OU DES RÉGLAGES. NE PAS L'EXPOSER À LA PLUIE ET NE PAS L'UTILISER DANS UN ENDROIT HUMIDE.

A18703

## ACCESSOIRES

Une ligne complète des accessoires est fournie des centres commerciaux d'usine de par votre de Porter-Cable•Delta fournisseur, de Porter-Cable•Delta, et des stations service autorisées par Porter-Cable. Veuillez visiter notre site Web [www.deltamachinery.com](http://www.deltamachinery.com) pour un catalogue ou pour le nom de votre fournisseur plus proche.

**⚠ AVERTISSEMENT :** Depuis des accessoires autre que ceux offerts par Porter-Cable•Delta n'ont pas été testés avec ce produit, utilisation de tels accessoires a pu être dangereux. Pour l'exploitation sûre, seulement Porter-Cable•Delta a recommandé des accessoires devrait être utilisé avec ce produit.

## GARANTIE

Pour enregistrer votre outil pour la garantie service la visite notre site Web à [www.deltamachinery.com](http://www.deltamachinery.com).

### Garantie limitée de deux ans

Delta réparera ou remplacera, à ses frais et à sa discrétion, toute nouvelle machine Delta, pièce de rechange ou tout accessoire qui, dans des circonstances d'utilisation normale, s'est avéré défectueux en raison de défauts de matériau ou de fabrication, à condition que le client retourne le produit (transport payé d'avance) au centre de réparation de l'usine Delta ou à un centre de réparation autorisé accompagné d'une preuve d'achat et dans les deux ans de la date d'achat du produit, et fournisse à Delta une opportunité raisonnable de vérifier le défaut présumé par une inspection. La période de garantie des produits Delta réusinés est de 180 jours. Delta peut demander que les moteurs électriques soient retournés (transport payé d'avance) à un centre de réparation autorisé du fabricant du moteur en vue d'une inspection, d'une réparation ou d'un remplacement. Delta ne peut être tenu pour responsable des défauts résultants de l'usure normale, de la mauvaise utilisation, de l'abus, de la réparation ou de la modification du produit, sauf en cas d'autorisation spécifique d'un centre de réparation ou d'un représentant Delta autorisé. En aucune circonstance Delta ne peut être tenu pour responsable des dommages accidentels ou indirects résultant d'un produit défectueux. Cette garantie constitue la seule garantie de Delta et le recours exclusif des clients en ce qui concerne les produits défectueux ; toutes les autres garanties, expresses ou implicites, de qualité marchande, d'adéquation à un usage particulier, ou autre, sont expressément déclinées par Delta.

# INSTRUCCIONES DE SEGURIDAD IMPORTANTES

**⚠ ADVERTENCIA** Lea y entienda todas advertencias y las instrucciones operadoras antes de utilizar cualquier instrumento o el equipo. Cuando se usa instrumentos o equipo, las precauciones básicas de la seguridad siempre se deben seguir para reducir el riesgo de la herida personal. La operación impropia, la conservación o la modificación de instrumentos o equipo podrían tener como resultado el daño grave de la herida y la propiedad. Hay ciertas aplicaciones para que equipas con herramienta y el equipo se diseña. La Delta Machinery recomienda totalmente que este producto no sea modificado y/o utilizado para ninguna aplicación de otra manera que para que se diseñó.



Si usted tiene cualquiera pregunta el pariente a su aplicación no utiliza el producto hasta que usted haya escrito Delta Machinery y nosotros lo hemos aconsejado. La forma en línea del contacto en [www.deltamachinery.com](http://www.deltamachinery.com) o por correo Technical Service Manager, Delta Machinery, 4825 Highway 45 North, Jackson, TN 38305. En Canada, 125 Mural St. Suite 300, Richmond Hill, ON, L4B 1M4

Información con respecto a la operación segura y apropiada de este instrumento está disponible de las fuentes siguientes:

- Power Tool Institute, 1300 Sumner Avenue, Cleveland, OH 44115-2851 o en línea [www.powertoolinstitute.org](http://www.powertoolinstitute.org)
- National Safety Council, 1121 Spring Lake Drive, Itasca, IL 60143-3201
- American National Standards Institute, 25 West 43rd Street, 4 floor, New York, NY 10036 [www.ansi.org](http://www.ansi.org) - ANSI 01.1 Safety Requirements for Woodworking Machines
- U.S. Department of Labor regulations [www.osha.gov](http://www.osha.gov)

**GUARDE ESTAS INSTRUCCIONES!**

## PAUTAS DE SEGURIDAD/DEFINICIONES

Es importante para usted leer y entender este manual. La información que lo contiene relaciona a proteger SU SEGURIDAD y PREVENIR los PROBLEMAS. Los símbolos debajo de son utilizados para ayudarlo a reconocer esta información.



- ⚠ PELIGRO:** Indica una situación de inminente riesgo, la cual, si no es evitada, causará la muerte o lesiones serias.
- ⚠ ADVERTENCIA** Indica una situación potencialmente riesgosa, que si no es evitada, podría resultar en la muerte o lesiones serias.
- ⚠ PRECAUCIÓN:** Indica una situación potencialmente peligrosa, la cual, si no es evitada, podría resultar en lesiones menores o mode-radas.
- PRECAUCIÓN:** Usado sin el símbolo de seguridad de alerta indica una situa-ción potencialmente riesgosa la que, si no es evitada, podría causar daños en la propiedad.

### Proposición de CALIFORNIA 65

**⚠ ADVERTENCIA** Algunos tipos de aserrín creados por máquinas eléctricas de lijado, aserrado, amolado, perforado u otras actividades de la construcción, contienen materiales químicos conocidos (en el Estado de California) como causantes de cáncer, defectos de nacimiento u otros daños del aparato reproductivo. Algunos ejemplos de dichos productos químicos son:

- El plomo contenido en algunas pinturas con base de plomo
- Sílice cristalizado proveniente de los ladrillos, el cemento y otros productos de albañilería
- Arsénico y cromo de madera tratada químicamente

Su riesgo por causa de estas exposiciones varía, dependiendo de con cuánta frecuencia realice este tipo de trabajo. Para reducir su exposición a estos agentes químicos: trabaje en un área bien ventilada y trabaje con equipo de seguridad aprobado, use siempre protección facial o respirador **NIOSH/OSHA** aprobados cuando deba utilizar dichas herramientas.

# NORMAS GENERALES DE SEGURIDAD

**▲ ADVERTENCIA:** Si no se siguen estas normas, el resultado podría ser lesiones graves.

- 1. PARA SU PROPIA SEGURIDAD, LEA EL MANUAL DE INSTRUCCIONES ANTES DE UTILIZAR LA MÁQUINA.** Al aprender la aplicación, las limitaciones y los peligros específicos de la máquina, se minimizará enormemente la posibilidad de accidentes y lesiones.
- 2. USE PROTECCIÓN DE LOS OJOS Y DE LA AUDICIÓN. USE SIEMPRE ANTEOJOS DE SEGURIDAD.** Los lentes de uso diario NO son anteojos de seguridad. USE EQUIPO DE SEGURIDAD CERTIFICADO. El equipo de protección de los ojos debe cumplir con las normas ANSI Z87.1. El equipo de protección de la audición debe cumplir con las normas ANSI S3.19.
- 3. USE INDUMENTARIA ADECUADA.** No use ropa holgada, guantes, corbatas, anillos, pulseras u otras joyas que podrían engancharse en las piezas móviles. Se recomienda usar calzado antideslizante. Use una cubierta protectora del pelo para sujetar el pelo largo.
- 4. NO UTILICE LA MÁQUINA EN UN ENTORNO PELIGROSO.** La utilización de herramientas mecánicas en lugares húmedos o mojados, o en la lluvia, puede causar descargas eléctricas o electrocución. Mantenga bien iluminada el área de trabajo para evitar tropezar o poner en peligro los brazos, las manos y los dedos.
- 5. MANTENGA TODAS LAS HERRAMIENTAS Y MÁQUINAS EN CONDICIONES ÓPTIMAS.** Mantenga las herramientas afiladas y limpias para lograr el mejor y más seguro rendimiento. Siga las instrucciones de lubricación y cambio de accesorios. Las herramientas y las máquinas mal mantenidas pueden dañar más la herramienta o la máquina y/o causar lesiones.
- 6. COMPRUEBE SI HAY PIEZAS DAÑADAS.** Antes de utilizar la máquina, compruebe si hay piezas dañadas. Compruebe la alineación de las piezas móviles, si las piezas móviles se atascan, si hay piezas rotas y toda otra situación que podría afectar su funcionamiento. Un protector o cualquier otra pieza que presente daños debe repararse o reemplazarse apropiadamente. Las piezas dañadas pueden causar daños adicionales a la máquina y/o lesiones.
- 7. MANTENGA LIMPIA EL ÁREA DE TRABAJO.** Las áreas y los bancos desordenados invitan a que se produzcan accidentes.
- 8. MANTENGA ALEJADOS A LOS NIÑOS Y A LOS VISITANTES.** El taller es un entorno potencialmente peligroso. Los niños y los visitantes pueden sufrir lesiones.
- 9. REDUZCA EL RIESGO DE UN ARRANQUE NO INTENCIONADO.** Asegúrese de que el interruptor esté en la posición de apagado antes de enchufar el cable de alimentación. En caso de un apagón, mueva el interruptor a la posición de apagado. Un arranque accidental podría causar lesiones.
- 10. UTILICE LOS PROTECTORES.** Asegúrese de que todos los protectores estén colocados en su sitio, sujetos firmemente y funcionando correctamente para prevenir lesiones.
- 11. QUITE LAS LLAVES DE AJUSTE Y DE TUERCA ANTES DE ARRANCAR LA MÁQUINA.** Las herramientas, los pedazos de desecho y otros residuos pueden salir despedidos a alta velocidad, causando lesiones.
- 12. UTILICE LA MÁQUINA ADECUADA.** No fuerce una máquina o un aditamento a hacer un trabajo para el que no se diseñó. El resultado podría ser daños a la máquina y/o lesiones.
- 13. UTILICE ACCESORIOS RECOMENDADOS.** La utilización de accesorios y aditamentos no recomendados por Delta podría causar daños a la máquina o lesiones al usuario.
- 14. UTILICE EL CORDÓN DE EXTENSIÓN ADECUADO.** Asegúrese de que el cordón de extensión esté en buenas condiciones. Cuando utilice un cordón de extensión, asegúrese de utilizar un cordón que sea lo suficientemente pesado como para llevar la corriente que su producto tome.

Un cordón de tamaño insuficiente causará una caída de la tensión de la línea, lo cual producirá una pérdida de potencia y recalentamiento. Consulte el Cuadro de cordones de extensión para obtener el tamaño correcto dependiendo de la longitud del cordón y la capacidad nominal en amperios indicada en la placa de especificaciones. En caso de duda, utilice el próximo calibre más grueso. Cuanto más pequeño sea el número de calibre, más pesado será el cordón.
- 15. SUJETE FIRMEMENTE LA PIEZA DE TRABAJO.** Utilice las abrazaderas o el tornillo cuando usted no puede asegurar el objeto en la tabla y contra la cerca a mano o cuando su mano estará peligroso cerca de la lámina (dentro de 6").
- 16. HAGA AVANZAR LA PIEZA DE TRABAJO CONTRA EL SENTIDO DE ROTACIÓN DE LA HOJA, EL CORTADOR O LA SUPERFICIE ABRASIVA.** Si la hace avanzar desde el otro sentido, el resultado será que la pieza de trabajo salga despedida a alta velocidad.
- 17. NO FUERCE LA PIEZA DE TRABAJO SOBRE LA MÁQUINA.** El resultado podría ser daños a la máquina y/o lesiones.
- 18. NO INTENTE ALCANZAR DEMASIADO LEJOS.** Una pérdida del equilibrio puede hacerle caer en una máquina en funcionamiento, causándole lesiones.
- 19. NO SE SUBA NUNCA A LA MÁQUINA.** Se podrían producir lesiones si la herramienta se inclina o si usted hace contacto accidentalmente con la herramienta de corte.
- 20. NO DEJE NUNCA DESATENDIDA LA MÁQUINA CUANDO ESTÉ EN MARCHA. APÁGUELA.** No deje la máquina hasta que ésta se detenga por completo. Un niño o un visitante podría resultar lesionado.
- 21. APAGUE LA MÁQUINA Y DESCONÉCTELA DE LA FUENTE DE ALIMENTACIÓN** antes de instalar o quitar accesorios, antes de ajustar o cambiar configuraciones o al realizar reparaciones. Un arranque accidental puede causar lesiones.
- 22. HAGA SU TALLER A PRUEBA DE NIÑOS CON CANDADOS E INTERRUPTORES MAESTROS O QUITANDO LAS LLAVES DE ARRANQUE.** El arranque accidental de una máquina por un niño o un visitante podría causar lesiones.
- 23. MANTÉNGASE ALERTA, FÍJESE EN LO QUE ESTÁ HACIENDO Y USE EL SENTIDO COMÚN. NO UTILICE LA MÁQUINA CUANDO ESTÉ CANSADO O BAJO LA INFLUENCIA DE DROGAS, ALCOHOL O MEDICAMENTOS.** Un momento de distracción mientras se estén utilizando herramientas mecánicas podría causar lesiones.
- 24. ▲ ADVERTENCIA: EL USO DE ESTA HERRAMIENTA PUEDE GENERAR Y DISPERSAR POLVO U OTRAS PARTICULAS SUSPENDIDAS EN EL AIRE, INCLUYENDO POLVO DE MADERA, POLVO DE SÍLICE CRISTALINA Y POLVO DE ASBESTO.** Dirija las partículas de modo que se alejen de la cara y del cuerpo. Utilice siempre la herramienta en un área bien ventilada y proporcione un medio apropiado de remoción de polvo. Use un sistema de recolección de polvo en todos los lugares donde sea posible. La exposición al polvo puede causar lesiones respiratorias graves y permanentes u otras lesiones graves y permanentes, incluyendo silicosis (una enfermedad pulmonar grave), cáncer y muerte. Evite aspirar el polvo y evite el contacto prolongado con el polvo. Si se permite que el polvo entre en la boca o en los ojos, o que se deposite en la piel, se puede promover la absorción de material nocivo. Use siempre protección respiratoria aprobada por NIOSH/OSHA que se ajuste apropiadamente y sea adecuada para la exposición al polvo, y lávese las áreas expuestas con agua y jabón.

# NORMAS ESPECÍFICAS ADICIONALES DE SEGURIDAD

**⚠ ADVERTENCIA** Si no siguen estas normas, el resultado podría ser lesiones personales graves.

- NO OPERE ESTA MÁQUINA HASTA** que no esté armada e instalada completamente, según las instrucciones. Una máquina montada de manera incorrecta puede provocar lesiones graves.
- SOLICITE EL ASESORAMIENTO** de su supervisor, instructor o alguna persona calificada si no está familiarizado con el funcionamiento de esta máquina. El conocimiento garantiza la seguridad.
- RESPETE TODOS LOS CÓDIGOS DE CABLEADO** y las conexiones eléctricas recomendadas para prevenir los riesgos de descargas eléctricas o electrocución.
- FIJE LA MÁQUINA EN UNA SUPERFICIE DE APOYO.** La vibración puede hacer que la máquina se deslice, se mueva o se incline.
- NUNCA ENCIENDA LA MÁQUINA ANTES DE QUITAR** todos los objetos de la mesa (herramientas, piezas de descarte, etc.). Los desechos pueden ser arrojados a alta velocidad.
- NUNCA ENCIENDA LA MÁQUINA** con la broca del taladro, la herramienta de corte o el tambor para lijar apoyado contra la pieza de trabajo. La pérdida del control de la pieza de trabajo puede causar lesiones graves.
- BLOQUEE CORRECTAMENTE LA BROCA DEL TALADRO,** la herramienta de corte o el tambor para lijar en el portabrocas antes de operar esta máquina.
- RETIRE LA LLAVE DE PORTABROCAS ANTES DE ENCENDER LA MÁQUINA.** La llave de portabrocas puede ser arrojada a alta velocidad.
- AJUSTE TODOS LOS MANGOS DE BLOQUEO** antes de encender la máquina. La pérdida del control de la pieza de trabajo puede causar lesiones graves.
- USE SOLAMENTE BROCAS PARA TALADRO, HERRAMIENTAS DE CORTE, TAMBORES PARA LIJAR U OTROS ACCESORIOS** con el tamaño de vástago recomendado en el manual de instrucciones. Un accesorio del tamaño incorrecto puede provocar daños en la máquina y/o lesiones graves.
- USE SOLAMENTE BROCAS PARA TALADRO, HERRAMIENTAS DE CORTE O TAMBORES PARA LIJAR QUE NO ESTÉN DAÑADOS.** Los elementos dañados pueden generar un mal funcionamiento capaz de ocasionar lesiones.
- USE LAS VELOCIDADES RECOMENDADAS PARA TODAS LAS OPERACIONES.** Otras velocidades pueden generar un mal funcionamiento de la máquina y dañarla u ocasionar lesiones graves.
- EVITE OPERACIONES Y POSICIONES DE LAS MANOS COMPLICADAS.** Un deslizamiento repentino podría llevar la mano hacia la broca.
- MANTENGA LOS BRAZOS, LAS MANOS Y LOS DEDOS** lejos de la broca. Puede provocar lesiones graves en la mano.
- SUJETE LA PIEZA DE TRABAJO CON FIRMEZA CONTRA LA MESA.** No intente taladrar una pieza de trabajo cuya superficie plana no esté apoyada contra la mesa y fija con una prensa. Evite que la pieza de trabajo gire; para ello, sujétela con abrazaderas a la mesa o fijela contra la columna de la prensa de taladro. La pérdida del control de la pieza de trabajo puede causar lesiones graves.
- APAGUE LA MÁQUINA Y ESPERE A QUE LA BROCA DEL TALADRO, LA HERRAMIENTA DE CORTE O EL TAMBOR PARA LIJAR** dejen de GIRAR antes de limpiar el área de trabajo, retirar los desechos, retirar o fijar la pieza de trabajo, o cambiar el ángulo de la mesa. Una broca de taladro, herramienta de corte o tambor para lijar en movimiento puede ocasionar lesiones graves.
- APOYE ADECUADAMENTE LAS PIEZAS DE TRABAJO LARGAS O ANCHAS.** La pérdida del control de la pieza de trabajo puede causar lesiones graves.
- NUNCA REALICE TRABAJOS DE TRAZADO,** armado o instalación en la mesa o área de trabajo cuando la máquina esté en funcionamiento. Puede causar lesiones graves.
- APAGUE LA MÁQUINA, DESCONÉCTELA DE LA FUENTE DE ALIMENTACIÓN Y LIMPIE LA MESA O ÁREA DE TRABAJO ANTES DE ABANDONARLA.** Bloquee el interruptor en la posición de "APAGADO" (OFF) para evitar el uso no autorizado. Alguien podría encender la máquina por accidente y esto podría ocasionar lesiones graves.
- ENCONTRARÁ INFORMACIÓN ADICIONAL** disponible acerca de la operación correcta y segura de herramientas eléctricas (por ejemplo: un video de seguridad) en el Instituto de Herramientas Eléctricas (Power Tool Institute), 1300 Sumner Avenue, Cleveland, OH 44115-2851 ([www.powertoolinstitute.com](http://www.powertoolinstitute.com)). Además, encontrará información disponible en el Consejo Nacional de Seguridad (National Safety Council), 1121 Spring Lake Drive, Itasca, IL 60143-3201. Remítase a los Requisitos de Seguridad 01.1 para las máquinas de carpintería del Instituto Estadounidense de Normas Nacionales (American National Standards Institute - ANSI) y a las Normas OSHA 1910.213 del Ministerio de Trabajo de los Estados Unidos.

## GUARDE ESTAS INSTRUCCIONES.

Refiérase a ellas con frecuencia y utilícelas para adiestrar a otros.

## CONEXIONES A LA FUENTE DE ALIMENTACIÓN

Debe utilizarse un circuito eléctrico independiente para las máquinas. Este circuito debe tener alambre de no menos del No. 12 y debe estar protegido con un fusible de acción retardada de 20 A. Si se utiliza un cordón de extensión, utilice únicamente cordones de extensión de tres alambres que tengan enchufes de tipo de conexión a tierra con tres terminales y un receptáculo coincidente que acepte el enchufe de la máquina. Antes de conectar el máquina a la línea de alimentación, asegúrese de que el interruptor(s) esté en la posición de apagado y cerciórese de que la corriente eléctrica tenga las mismas características que las que estén indicadas en la máquina. Todas las conexiones a la línea de alimentación deben hacer buen contacto. El funcionamiento a bajo voltaje dañará el máquina.

**⚠ PELIGRO:** No exponga la máquina a la lluvia ni la utilice en lugares húmedos.

### ESPECIFICACIONES DEL MOTOR

La máquina está cableada para corriente alterna de 120/240 V, 60 Hz. Antes de conectar la máquina a la fuente de alimentación, asegúrese de que el interruptor esté en la posición de apagado.

### INSTRUCCIONES DE CONEXIÓN A TIERRA

**⚠ PELIGRO:** Esta máquina debe estar conectada a tierra mientras se esté utilizando, para proteger al operador contra las descargas eléctricas.

#### 1. Todas las máquinas conectadas con cordón conectadas a tierra:

En caso de mal funcionamiento o avería, la conexión a tierra proporciona una ruta de resistencia mínima para la corriente eléctrica, con el fin de reducir el riesgo de descargas eléctricas. Esta máquina está equipada con un cordón eléctrico que tiene un conductor de conexión a tierra del equipo y un enchufe de conexión a tierra. El enchufe debe enchufarse en un tomacorriente coincidente que esté instalado y conectado a tierra adecuadamente, de acuerdo con todos los códigos y ordenanzas locales.

No modifique el enchufe suministrado. Si el enchufe no cabe en el tomacorriente, haga que un electricista calificado instale el tomacorriente apropiado.

La conexión inapropiada del conductor de conexión a tierra del equipo puede dar como resultado riesgo de descargas eléctricas. El conductor con aislamiento que tiene una superficie exterior de color verde con o sin franjas amarillas es el conductor de conexión a tierra del equipo. Si es necesario reparar o reemplazar el cordón eléctrico o el enchufe, no conecte el conductor de conexión a tierra del equipo a un terminal con corriente.

Consulte a un electricista competente o a personal de servicio calificado si no entiende completamente las instrucciones de conexión a tierra o si tiene dudas en cuanto a si la máquina está conectada a tierra apropiadamente.

Utilice únicamente cordones de extensión de tres alambres que tengan enchufes de tipo de conexión a tierra con tres terminales y receptáculos de tres conductores que acepten el enchufe de la máquina, tal como se muestra en la Fig. A.

Repáre o reemplace inmediatamente los cordones dañados o desgastados.

#### 2. Máquinas conectadas con cordón conectadas a tierra diseñadas para utilizarse en un circuito de alimentación que tenga una capacidad nominal de menos de 150 V:

Si la máquina está diseñada para utilizarse en un circuito que tenga un tomacorriente parecido al que se ilustra en la Fig. A, la máquina tendrá un enchufe de conexión a tierra que se parece al enchufe ilustrado en la Fig. A. Puede utilizarse un adaptador temporal, que se parece al adaptador ilustrado en la Fig. B, para conectar este enchufe a un receptáculo coincidente de dos conductores, tal como se muestra en la Fig. B, si no se dispone de un tomacorriente conectado a tierra apropiadamente. El adaptador temporal debe utilizarse solamente hasta que un electricista calificado pueda instalar un tomacorriente conectado a tierra apropiadamente. La orejeta, lengüeta, etc., rígida de color verde que sobresale del adaptador debe conectarse a una toma de tierra permanente, como por ejemplo una caja tomacorriente conectada a tierra adecuadamente. Siempre que se utilice un adaptador, debe sujetarse en su sitio con un tornillo de metal.

**NOTA:** En Canadá, el uso de un adaptador temporal no está permitido por el Código Eléctrico Canadiense.

**⚠ PELIGRO:** En todos los casos, asegúrese de que el receptáculo en cuestión esté conectado a tierra adecuadamente. Si no está seguro, haga que un electricista calificado compruebe el receptáculo.

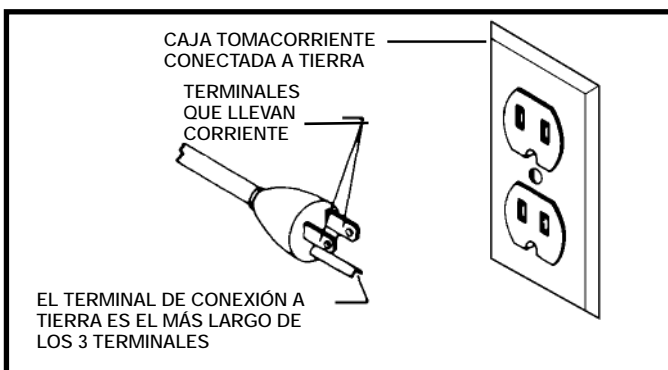


Fig. A

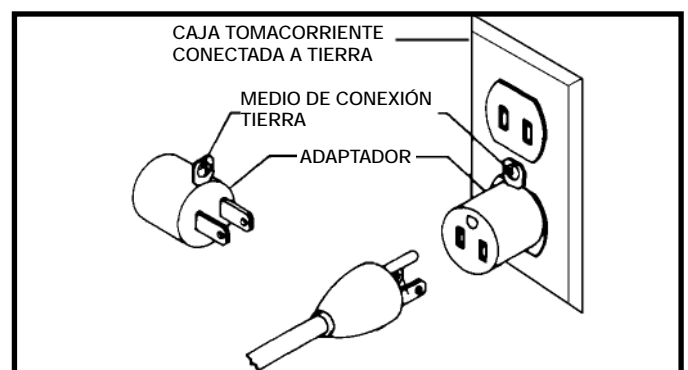


Fig. B



### 3. OPERACIÓN DE UNA SOLA FASE CON 240 VOLTIOS

El motor provisto con su máquina es de doble voltaje, es decir de 120/140 voltios. Viene listo para su funcionamiento en operaciones de 120 voltios. Sin embargo, se puede convertir para operaciones de 240 voltios.

La conversión debe ser realizada por un electricista calificado, o se puede llevar la máquina a un centro de mantenimiento autorizado Delta. Cuando esté completa esta conversión, la máquina debe cumplir con el Código Eléctrico Nacional, y con todos los códigos y ordenanzas locales.

Para convertir la máquina, se realiza un nuevo cableado del motor para 240 voltios, luego se instala un enchufe para 240 voltios en el cable de la fuente de energía y se reemplaza el interruptor (si es necesario) por uno adecuado para operaciones de 240 voltios.

Asegúrese de que el enchufe de 240 voltios sólo se use en un tomacorriente que tenga la misma configuración que el enchufe ilustrado en la figura C. No se debe usar un adaptador con el enchufe de 240 voltios.

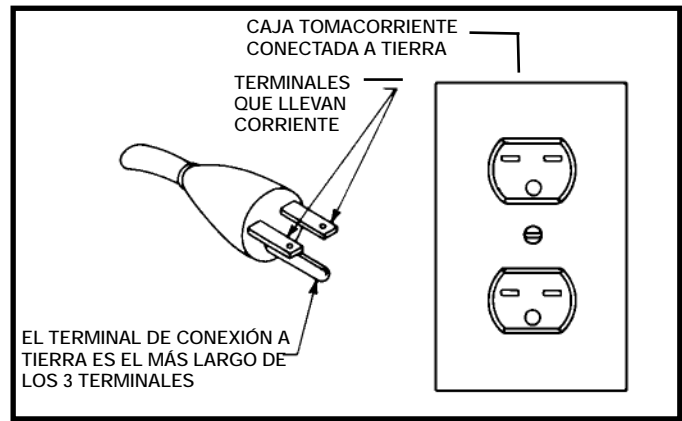


Fig. C

**⚠ PELIGRO:** En todos los casos, asegúrese de que el receptáculo en cuestión esté conectado a tierra adecuadamente. Si no está seguro, haga que un electricista calificado compruebe el receptáculo.

### CORDONES DE EXTENSIÓN

**⚠ ADVERTENCIA:** Utilice cordones de extensión apropiados. Asegúrese de que el cordón de extensión esté en buenas condiciones y de que sea un cordón de extensión de tres alambres que tenga un enchufe de tipo de conexión a tierra con tres terminales y un receptáculo coincidente que acepte el enchufe de la máquina. Cuando utilice un cordón de extensión, asegúrese de emplear un cordón que sea lo suficientemente pesado como para llevar la corriente de la máquina. Un cordón de tamaño insuficiente causará una caída de la tensión de la línea eléctrica que dará como resultado pérdida de potencia y recalentamiento. En la Fig. D1 o D2 se muestra el calibre correcto que debe utilizarse dependiendo de la longitud del cordón. En caso de duda, utilice el siguiente calibre más pesado. Cuanto más pequeño sea el número de calibre, más pesado será el cordón.

CORDÓN DE EXTENSIÓN DE CALIBRE MÍNIMO			
TAMAÑOS RECOMENDADOS PARA USO CON MÁQUINAS ELÉCTRICAS ESTACIONARIAS			
Capacidad Nominal En Amperios	Voltios	Longitud Total Del Cordon En Pies	Calibre Del Cordon De Extensión
0-6	120	Hasta 25	18 AWG
0-6	120	25-50	16 AWG
0-6	120	50-100	16 AWG
0-6	120	100-150	14 AWG
6-10	120	Hasta 25	18 AWG
6-10	120	25-50	16 AWG
6-10	120	50-100	14 AWG
6-10	120	100-150	12 AWG
10-12	120	Hasta 25	16 AWG
10-12	120	25-50	16 AWG
10-12	120	50-100	14 AWG
10-12	120	100-150	12 AWG
12-16	120	Hasta 25	14 AWG
12-16	120	25-50	12 AWG
12-16	120	GREATER THAN 50 FEET NOT RECOMMENDED	

Fig. D-1

CORDÓN DE EXTENSIÓN DE CALIBRE MÍNIMO			
TAMAÑOS RECOMENDADOS PARA USO CON MÁQUINAS ELÉCTRICAS ESTACIONARIAS			
Capacidad Nominal En Amperios	Voltios	Longitud Total Del Cordon En Pies	Calibre Del Cordon De Extensión
0-6	240	Hasta 50	18 AWG
0-6	240	50-100	16 AWG
0-6	240	100-200	16 AWG
0-6	240	200-300	14 AWG
6-10	240	Hasta 50	18 AWG
6-10	240	50-100	16 AWG
6-10	240	100-200	14 AWG
6-10	240	200-300	12 AWG
10-12	240	Hasta 50	16 AWG
10-12	240	50-100	16 AWG
10-12	240	100-200	14 AWG
10-12	240	200-300	12 AWG
12-16	240	Hasta 50	14 AWG
12-16	240	50-100	12 AWG
12-16	240	GREATER THAN 50 FEET NOT RECOMMENDED	

Fig. D-2

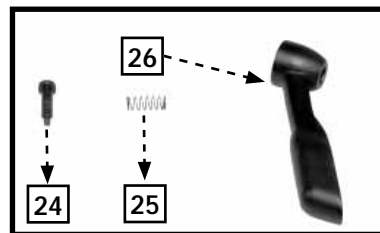
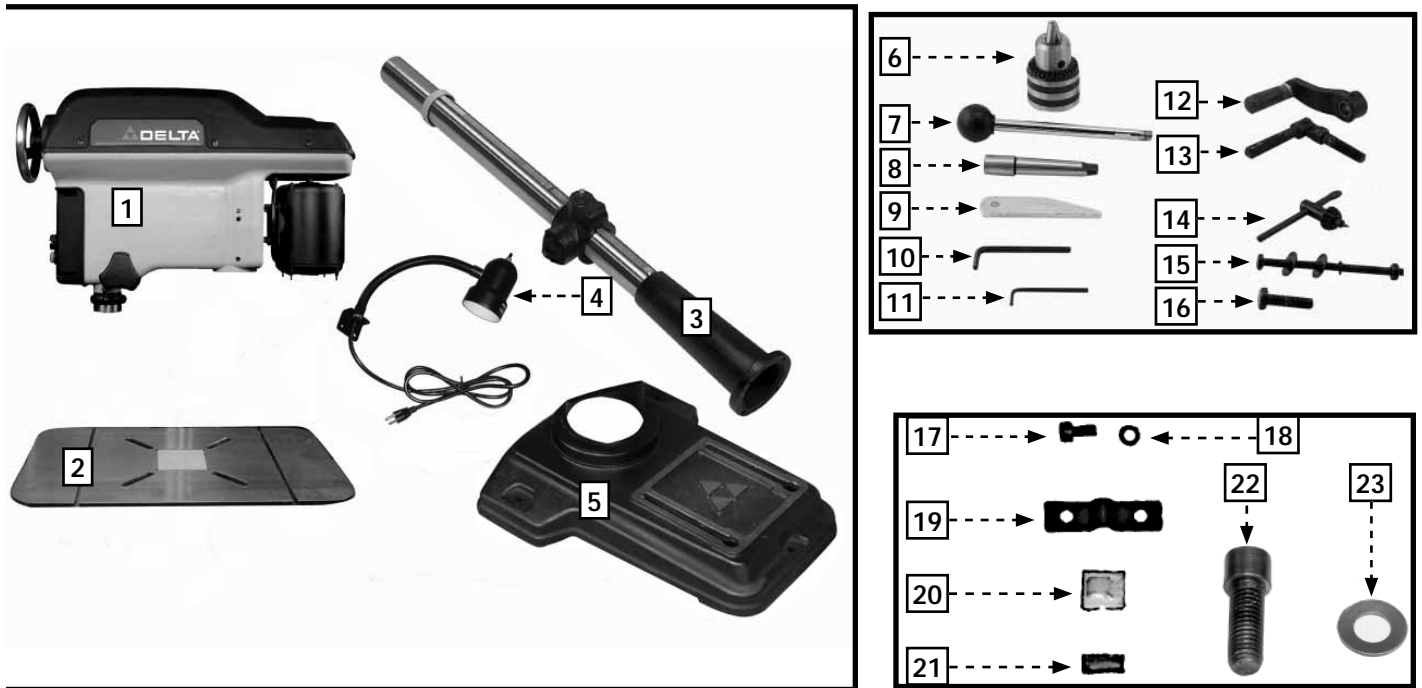
## DESCRIPCIÓN FUNCIONAL

### INTRODUCCIÓN

La prensa de taladro Delta 20-950 es una prensa de 508 mm (20"). Esta máquina para trabajo pesado tiene un motor de inducción de 120/140 V y 1 HP, un portabrocas y una llave con una capacidad de 16 mm (5/8"), un banco de hierro fundido, un mecanismo de elevación con cremallera y piñón, y un tope de profundidad externo. Esta máquina posee una mesa inclinable para perforación en ángulo. También tiene bordes laterales y ranuras paralelas para sujetar rápidamente la pieza de trabajo con abrazaderas.

**NOTA:** La foto del cubierta del manual ilustra el modelo de producción actual. Todas las demás ilustraciones son solamente representativas y es posible que no muestren el color, el etiquetado y los accesorios reales.

# CARTON CONTENTS



- |   |  |
|---|--|
| <ol style="list-style-type: none"> <li>1. Cabeza de la prensa de taladro</li> <li>2. Banco</li> <li>3. Soporte del banco y columna</li> <li>4. Luz</li> <li>5. Base</li> <li>6. Portabrocas</li> <li>7. Mangos (3)</li> <li>8. Adaptador del eje</li> <li>9. Llave de desplazamiento</li> <li>10. Llave hexagonal de 5 mm</li> <li>11. Llave hexagonal de 3 mm</li> <li>12. Mango para ajustar el banco</li> <li>13. Mango para sujetar el banco</li> <li>14. Llave de portabrocas</li> </ol> | <ol style="list-style-type: none"> <li>15. (3) tornillos de cabeza de hongo M8x1.25x125 mm, (4) arandelas planas, (2) arandelas de bloqueo y (2) tuercas hexagonales (para ajustar la prensa de taladro a una superficie de apoyo)</li> <li>16. Tornillos de cabeza hexagonal M10x1,5x40 mm (4)</li> <li>17. Tornillos prisioneros de cabeza hexagonal M6x1x12 mm (2)</li> <li>18. Arandela de 6,5 mm (1/4")</li> <li>19. Alivio de tensión del cable</li> <li>20. Abrazaderas para cable (2)</li> <li>21. Buje para cable</li> <li>22. Perno de cabeza hexagonal de 12 mm</li> <li>23. Arandela Belleville</li> <li>24. Tornillos (2)</li> <li>25. Resortes (2)</li> <li>26. Palanca para inclinación hacia adelante</li> </ol> |
|---|--|

## DESEMPAQUETADO Y LIMPIEZA

Desembale cuidadosamente la máquina y todos los elementos sueltos del o los contenedores de envío. Retire el aceite anticorrosivo de las superficies sin pintura con un paño suave humedecido con alcohol mineral, solvente o alcohol desnaturalizado.

**⚠ PRECAUCIÓN:** No use solventes volátiles como gasolina, nafta, acetona o solvente de barniz para limpiar la máquina. Luego de limpiar, cubra las superficies sin pintura con cera en pasta de buena calidad que se utiliza para los pisos del hogar.

# ENSAMBLAJE

**⚠ ADVERTENCIA:** RIESGO DE OPERACIÓN INSEGURA Por su propia seguridad, no conecte la máquina a la fuente de alimentación hasta que esté armada completamente, y haya leído y comprenda todo el manual de instrucciones.

## HERRAMIENTAS DE ENSAMBLAJE REQUERIDAS

Llaves hexagonales de 3 mm y 5 mm (suministradas)  
Llaves de cubo o llaves de boca de 10 mm, 17 mm y 24 mm (no suministradas)

## ESTIMACIÓN DEL TIEMPO DE ENSAMBLAJE

La asamblea para esta máquina es menos 1 hora..

1. Si planea usar su prensa de taladro en un lugar fijo, debe asegurar la base de la prensa de taladro a la superficie de soporte con sujetadores a través de los tres orificios de montaje (A), Fig. 1, que están en la base de la prensa de taladro.

**⚠ ADVERTENCIA:** RIESGO DE OPERACIÓN INSEGURA Si no ajusta la prensa de taladro en forma permanente, debe ajustar la prensa de taladro a un tablero de montaje de madera contrachapada para evitar que la prensa de taladro se voltee durante el uso normal.

**⚠ ADVERTENCIA:** RIESGO DE OPERACIÓN INSEGURA Utilice madera contrachapada de buena calidad con un espesor mínimo de 19 mm (3/4"). No haga el tablero de montaje con una tabla de madera comprimida debido a que se quiebra con facilidad.

2. Para montar la base de la prensa de taladro a la superficie de apoyo, use un tablero de montaje de madera contrachapada con las dimensiones mínimas que se muestran en la Fig. 2.

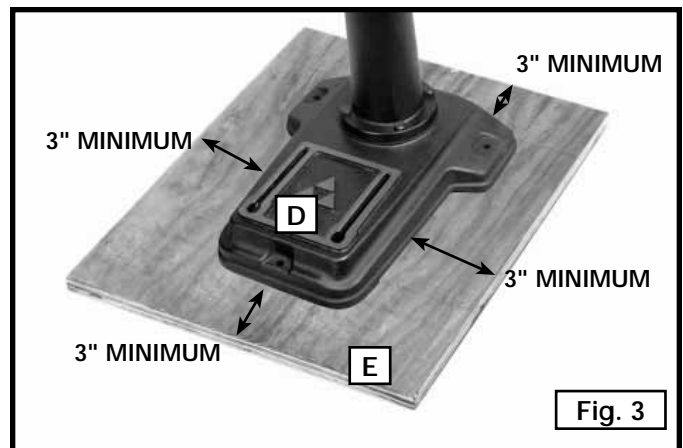
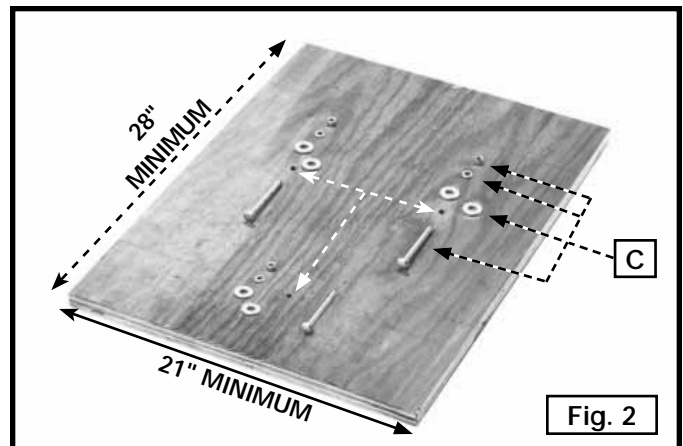
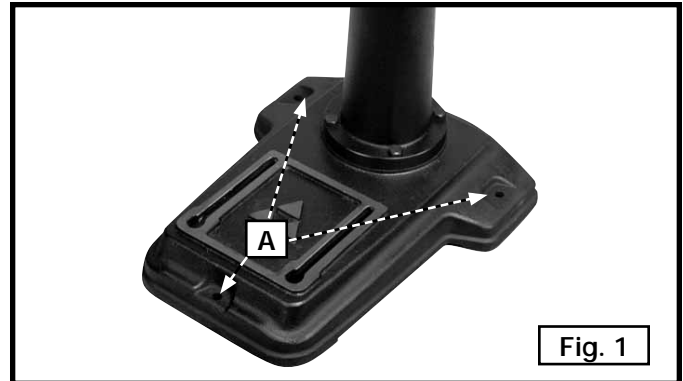
3. Coloque la base de la prensa de taladro (D), Fig. 3, centrada en la superficie de apoyo (E).

**⚠ ADVERTENCIA:** RIESGO DE OPERACIÓN INSEGURA Asegúrese de que la madera contrachapada se extienda un mínimo de 76 mm (3") en todos los lados de la base, como se muestra en la Fig. 3.

4. Perfore 3 orificios de 9,5 mm (3/8") de diámetro en los orificios (A), Fig. 3, de la base de la prensa de taladro y en la superficie de soporte (E), Fig. 5.

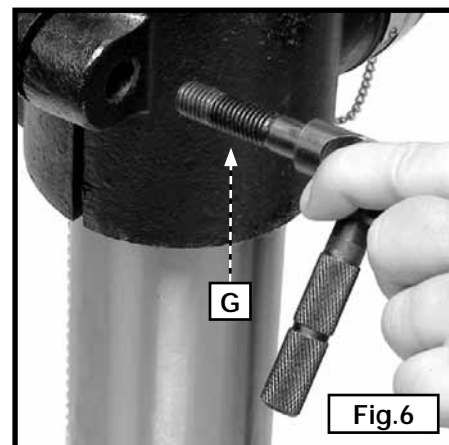
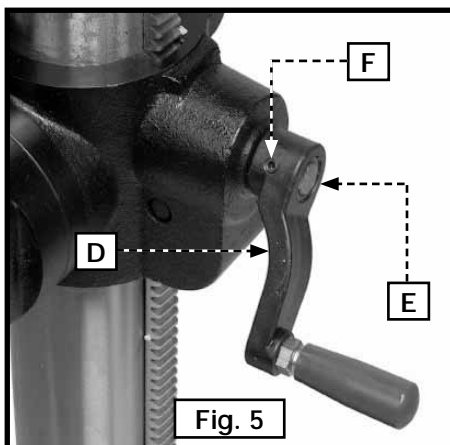
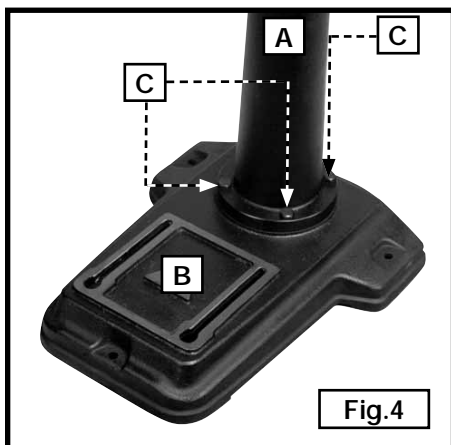
**NOTA:** Cuando perfore los orificios, coloque un pedazo de madera de descarte debajo de la superficie de apoyo para que la broca no dañe el material debajo de la superficie de apoyo.

5. Ajuste la base de la prensa de taladro al tablero de montaje mediante los pernos de cabeza de hongo, las arandelas planas, las arandelas de bloqueo y las tuercas hexagonales (C), Fig. 2, suministrados con su prensa de taladro. Avellane los orificios para las cabezas de los pernos con cabeza de hongo y las arandelas planas que van debajo del tablero para que las cabezas de los pernos queden al ras o debajo de la superficie del tablero. Use una arandela plana, una arandela de bloqueo y una tuerca hexagonal por encima de la base de la prensa de taladro, como se muestra en (F), Fig. 5.



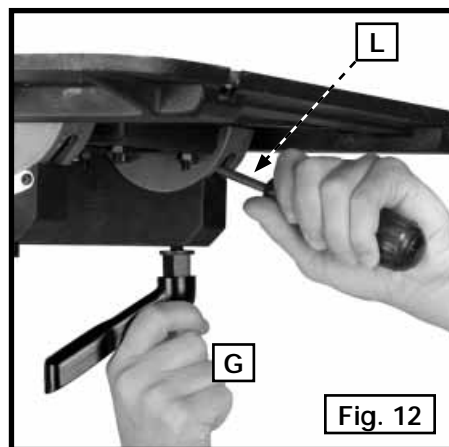
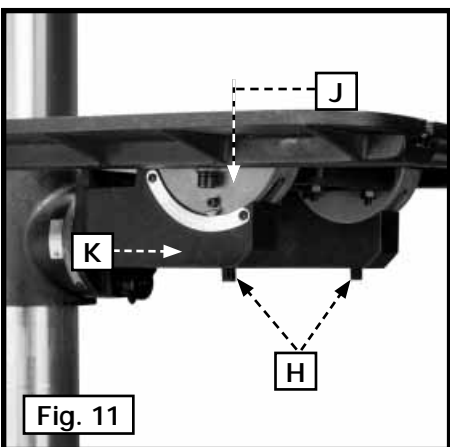
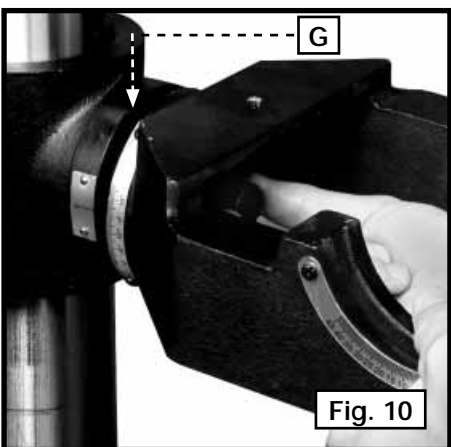
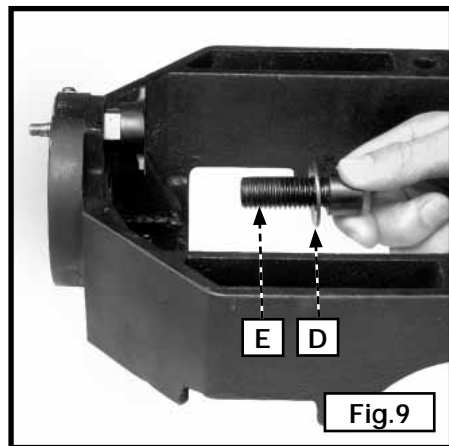
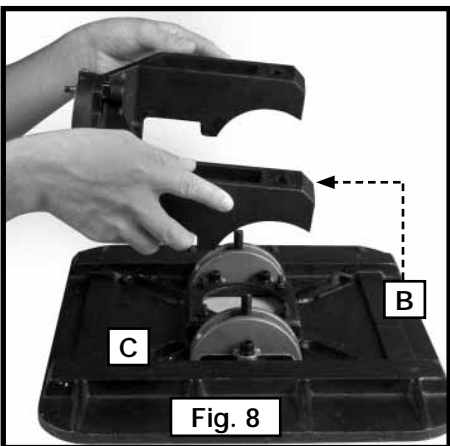
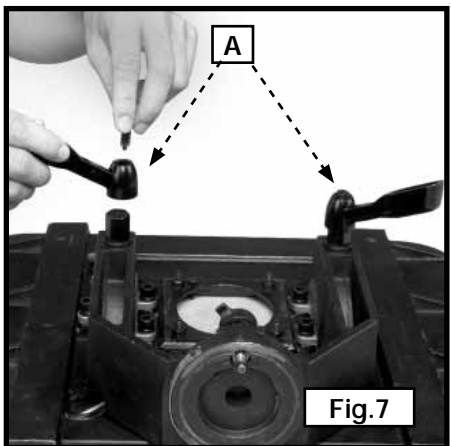
**⚠ WARNING RIESGO DE OPERACIÓN INSEGURA** Si la prensa de taladro tiende a vibrar, deslizarse o caminar durante la operación normal, es preciso que asegure la base de madera contrachapada al piso o a la superficie de soporte.

6. Acople la columna (A), Fig. 4, a la base (B) con los cuatro tornillos de cabeza hexagonal M10x40 mm (C) provistos, de los cuales se muestran tres.
7. Acople el mango de ajuste del banco (D), Fig. 5, al eje del engranaje de tornillos sin fin (E). Ajuste el tornillo (F) contra el plano del eje con la llave de 3 mm suministrada.
8. Pase el mango que sujeta el banco (G), Fig. 6, por el orificio que está en la parte trasera del soporte del banco.



9. Para acoplar las palancas a la parte inferior del banco, gire los tornillos de las palancas en el sentido de las agujas del reloj (Fig. 7).
10. Para retirar las dos palancas completas (A), Fig. 7, gire los tornillos en sentido contrario a las agujas del reloj. Retire las arandelas.
11. Levante el soporte del banco (B), Fig. 8, del banco (C).
12. Coloque la arandela Belleville con el lado levantado contra el perno de 12 mm (E).
13. Introduzca el perno en el soporte del banco (F), Fig. 9, y luego en el orificio de la rótula (G), Fig. 10. Ajuste bien.
14. Alinee los pernos (H) del soporte giratorio (J) con los orificios del soporte del banco (K).
15. Vuelva a colocar las arandelas y las palancas que se retiraron en **EL PASO 10**. Ajuste bien.

**NOTA:** Los pernos del soporte giratorio son móviles. Para volver a colocar las palancas con facilidad, introduzca un destornillador de punta plana (L), Fig. 12, en la abertura del soporte giratorio contra los pernos.

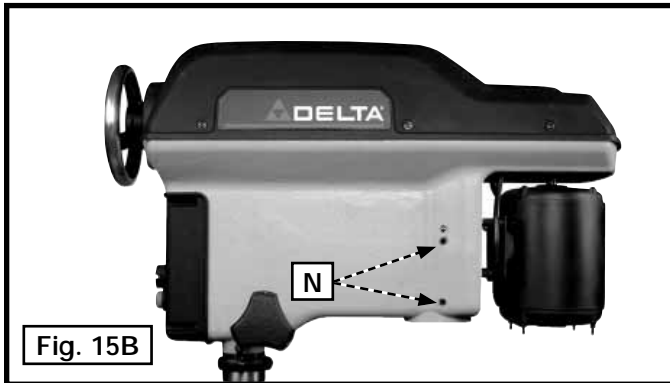




## ACOPLAMIENTO DEL CABEZAL A LA COLUMNA

**⚠ CAUTION RIESGO DE LESIONES PERSONALES -**  
El cabezal es muy pesado. Es recomendable que dos o más personas lo ayuden a colocar el cabezal en la columna

Coloque la cabeza de la prensa de taladro (K), Fig. 15A, en la columna hasta donde llegue. Alinee la cabeza (K), Fig. 15A, con el banco (L) y la base (M). Ajuste los dos tornillos de bloqueo de la cabeza (N), Fig. 15B, con la llave de 5 mm suministrada.

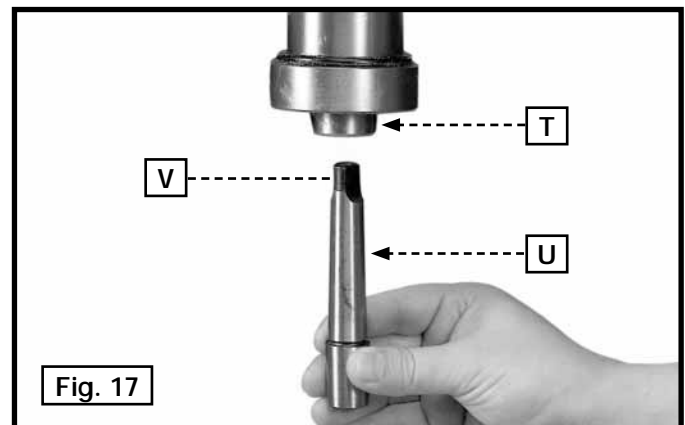


## INSTALACIÓN DEL PORTABROCAS

**IMPORTANTE:** Asegúrese de que el orificio cónico en la parte inferior del eje (T), Fig. 17, y el cono en el adaptador del eje (U) estén limpios y sin grasa, laca ni recubrimientos para la prevención del óxido.

**NOTA:** Un limpiador de hornos de uso doméstico puede limpiar efectivamente estos recubrimientos del eje y el adaptador del eje. No obstante, siga detenidamente las reglas de seguridad del fabricante en relación con su uso.

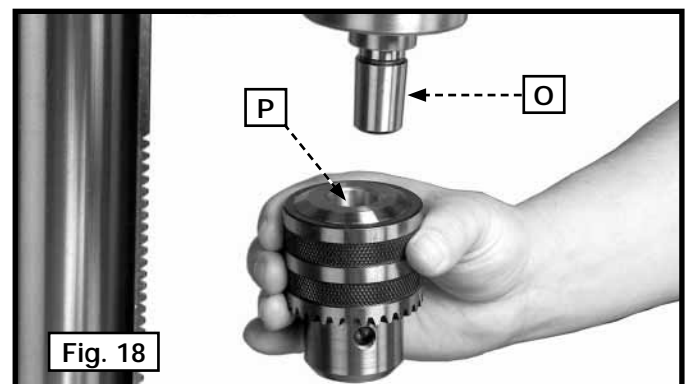
Empuje el adaptador del eje (U), Fig. 17, en el eje (T). Asegúrese de que la espiga (V) trabe en la ranura de acople que está dentro del eje (T).



**IMPORTANTE:** Asegúrese de que el cono del eje (O), Fig. 18, y el orificio cónico en el portabrocas (P) estén limpios y sin grasa, laca ni recubrimientos para la prevención del óxido.

**NOTA:** Un limpiador de hornos de uso doméstico puede limpiar eficazmente cualquier sustancia del eje y del portabrocas. No obstante, siga detenidamente las reglas de seguridad del fabricante en relación con su uso.

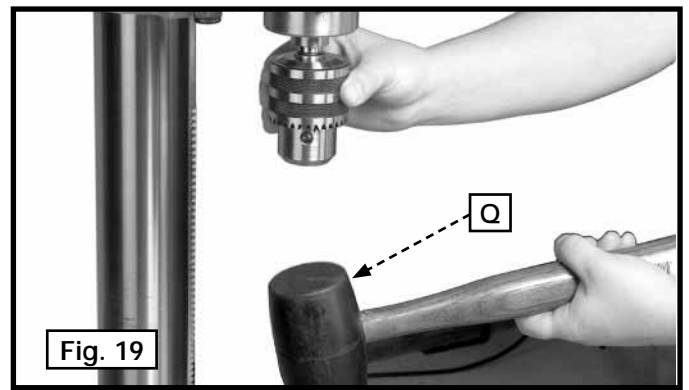
**IMPORTANTE:** Abra las mordazas del porta-brocas tanto como sea posible y asegúrese de que estén dentro del portabrocas.





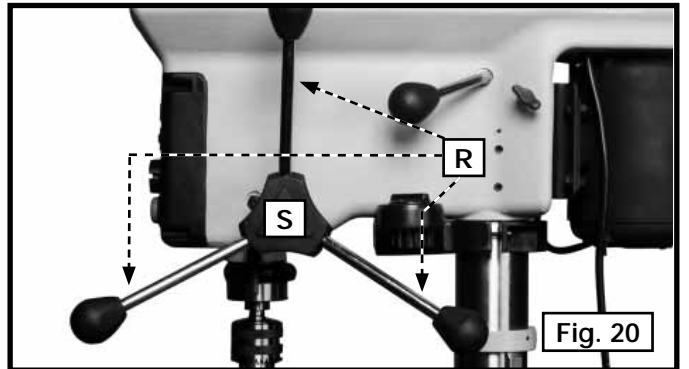
Sostenga el portabrocas en el cono del eje. Para fijar el portabrocas, martíllelo con un martillo de punta blanda (Q), Fig. 19, o con un bloque de madera y un martillo.

**PRECAUCIÓN: RIESGO DE DAÑO A LA PROPIEDAD**  
Para evitar que el portabrocas se dañe, NUNCA coloque el portabrocas en el eje con un martillo de metal.



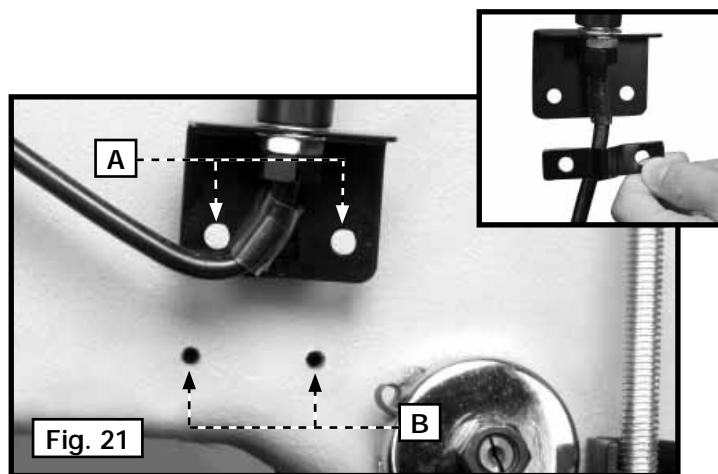
## ACOPLAMIENTO DE LOS MANGOS DEL EJE DEL PIÑÓN

Pase los tres mangos del eje del piñón (R) en los tres orificios que están en el centro del eje del piñón (S), Fig. 20.

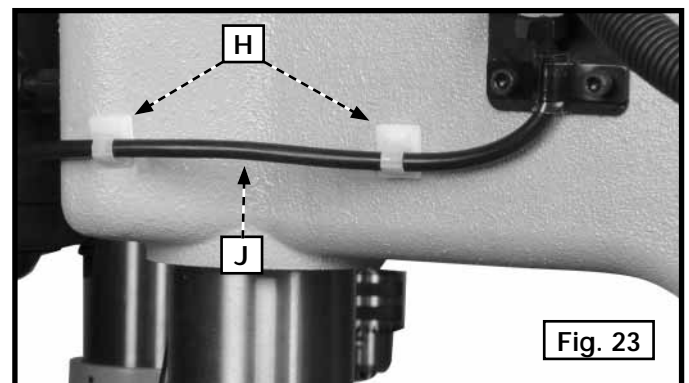


## ACOPLAMIENTO DEL SOPORTE DEL CABLE

1. Alinee los dos orificios en el soporte de la lámpara (A), Fig. 21, con los dos orificios (B) en el lateral de la cabeza de la prensa de taladro.
2. Coloque el buje para cable (recuadro), Fig. 21, alrededor de la parte superior del cable de la lámpara (D).
3. Alinee los dos orificios en el soporte del cable de la lámpara con los dos orificios en el soporte de la lámpara y la cabeza de la prensa de taladro.
4. Coloque una arandela de 6 mm (1/4") en un tornillo prisionero M6x12 mm. Introduzca el tornillo en el orificio del soporte de alivio de tensión del cable y el soporte de la lámpara. Enrosque el tornillo en la cabeza de la prensa de taladro (Fig. 22). Repita el proceso para el otro orificio del soporte de alivio de tensión del cable y ajuste ambos tornillos con firmeza.



5. Pele el reverso de las abrazaderas para cable (H), Fig. 23 y aplíquelas en los lugares que se muestran. Asegúrese de que el cable de la lámpara esté tendido fuera del camino del taladro; luego, asegure el cable (J) a la abrazadera para cable (H), Fig. 23..



# OPERACIÓN

## CONTROLES Y AJUSTES OPERACIONALES

### ARRANCANDO Y DETENIENDO LA PRENSA DE TALADRO

1. El interruptor de ENCENDIDO/APAGADO (A) Fig. 24 está localizado en la frente. Para ENCENDER la máquina, deprima el "EN" el interruptor.
2. Para APAGAR la máquina, deprima el "DE" interruptor

**⚠ ADVERTENCIA:** En el caso de un corte eléctrico (por ejemplo por un interruptor o fusible quemados) bloquee siempre el interruptor en la posición de apagado (off) hasta que se restablezca la energía principal.

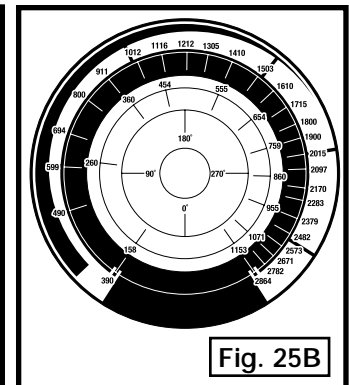
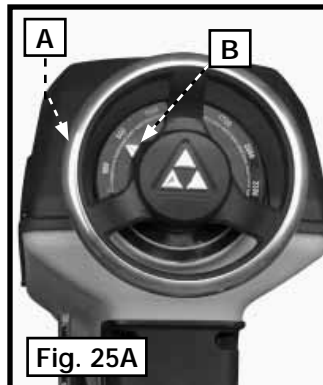
**IMPORTANTE:** Cuando la maquina no se esté utilizando, el interruptor debe bloquearse en la posición de apagado utilizando un candado (X), Fig. 25, con una barra de 3/16" de diámetro para impedir el uso no autorizado de la sierra.



### AJUSTE DE VELOCIDAD DEL EJE

**PRECAUCIÓN:** Ajuste la velocidad de eje SOLO cuando la máquina está en la operación.

1. Determine la velocidad adecuada para sus herramientas de corte (brocas, tambores, etc.)
2. Presione el botón ON para encender la máquina.
3. Utilice ambas manos para girar la rueda de ajuste de velocidad (A) Fig. 25A hasta que el indicador (B) muestre la velocidad correcta.
4. Fig. 25B ilustra las velocidades.



### LÁMPARA FLEXIBLE

La lámpara flexible funciona independientemente de la prensa de taladro. Para "ENCENDER" y "APAGAR" la lámpara, gire el interruptor (A), Fig. 26.

**⚠ ADVERTENCIA:** RIESGO DE INCENDIO Para reducir el riesgo de incendio, use una bombilla reflectora en riel de 40 vatios o menos y 120 voltios (no suministrada). NO USE una bombilla estándar de uso doméstico. No permita que la bombilla reflectora en riel se extienda por debajo de la sombra de la lámpara.

**⚠ ADVERTENCIA:** RIESGO DE LESIONES PERSONALES Antes de hacer cualquier ajuste, desconecte la máquina de la fuente de alimentación.



## AJUSTES DEL BANCO

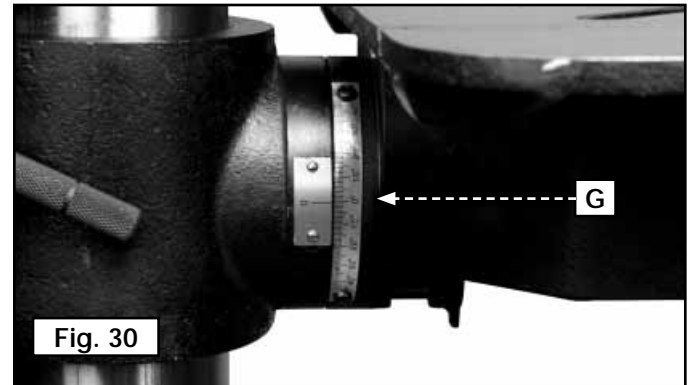
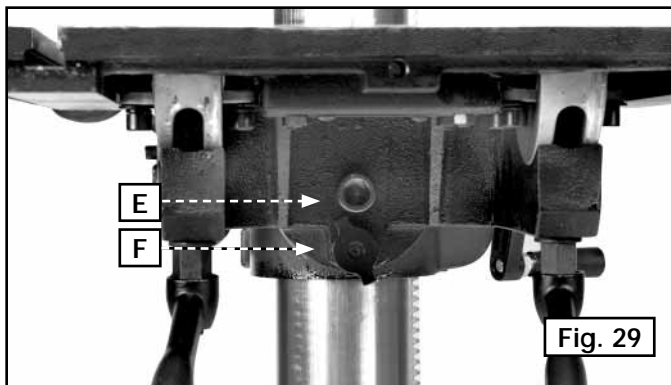
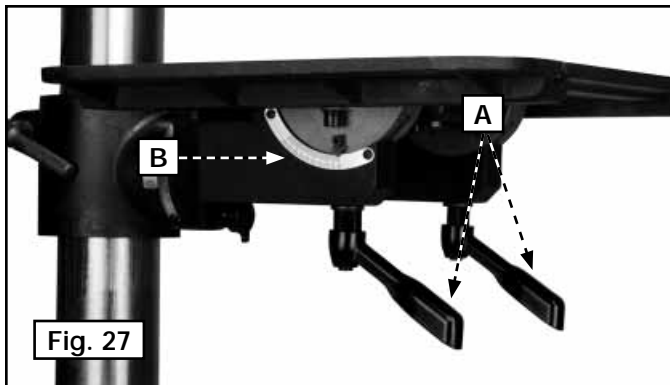
**⚠PRECAUCIÓN: RIESGO DE LESIONES PERSONALES** Asegúrese de que el banco esté vacío y la pieza de trabajo esté sujeta. La caída de objetos puede ocasionar lesiones.

El banco se puede inclinar de cero (0) a 45 grados. Para ajustar:

1. Afloje las dos palancas de inclinación hacia adelante(A), Fig. 27.
2. Ajuste el banco al ángulo deseado. La escala (B), Fig. 27, está en el lateral del soporte del banco.
3. Ajuste las palancas (A), Fig. 27.
4. Se proporciona un tope positivo (C), Fig. 28, para volver el banco a la posición cero. Para ajustar este tope, gire el tornillo/tope (C) que está debajo del banco. Ajuste la tuerca de bloqueo para asegurar el tope.

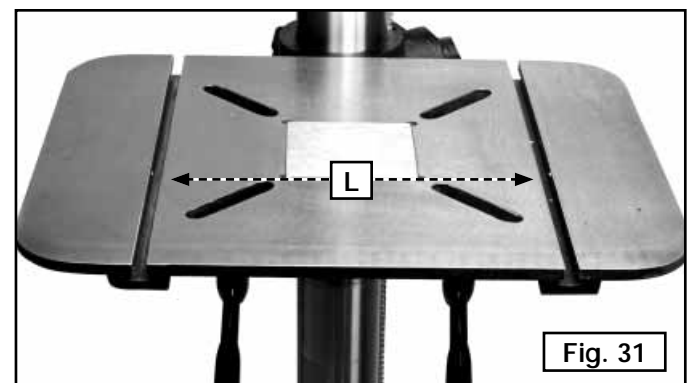
El banco se puede inclinar hacia la derecha o la izquierda. Se incluyen topes positivos para ajustar a 0, 45 y 90 grados. Para ajustar:

1. Afloje el perno del banco (E), Fig. 29, aproximadamente un 1/4 de giro con la llave hexagonal de 14 mm suministrada.
2. Hale del perno de detención con resorte (F).
3. Gire el banco al ángulo deseado. La escala de inclinación (G), Fig. 30, se encuentra en la rótula detrás del banco. Use esta escala para ser preciso. Puede permitir que el perno de detención se deslice en los topes positivos, pero corrobore que la escala esté en el ángulo deseado.
4. Ajuste el perno del banco.



## RANURAS EN T

El banco de la prensa de taladro viene con dos ranuras en T (L), Fig. 31, aptas para usar con diversos accesorios de la prensa de taladro (bloques de topes, rebordes o abrazaderas). Cuando acople un accesorio al banco, use pernos en T de 8 mm (5/16").



## PARA PERFORAR ORIFICIOS A PROFUNDIDAD

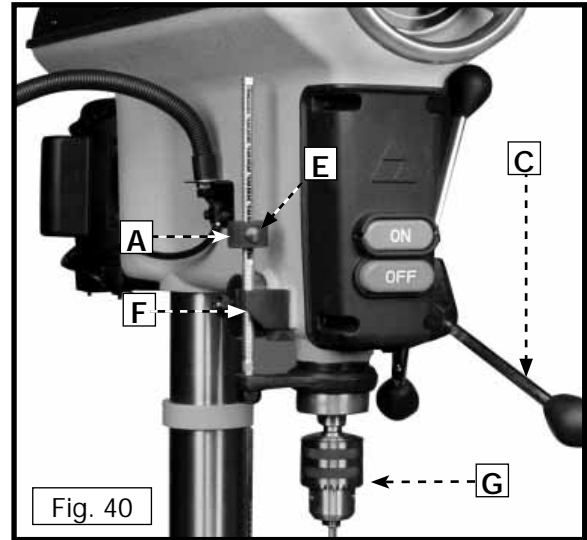
Cuando desee perforar cierta cantidad de orificios de la misma profundidad, use la tuerca de tope (A) Fig. 40, de la varilla de tope roscada (B).

**⚠ ADVERTENCIA:** Desconecte la máquina de la fuente del poder.

1. Introduzca la broca en el portabrocas.
2. Baje el portabrocas (G), Fig. 40, y la broca elegida a la profundidad elegida, gire los mangos del eje del piñón (C). Para trabar la broca en posición, ajuste la palanca de bloqueo de la broca (vea (B) Fig. 43) del lado derecho del cabezal debajo de los mangos del eje del piñón.

**NOTA:** La palanca de bloqueo de la broca funciona a resorte. Para cambiarla, hale hacia afuera del mango y vuelva a colocar el centro del mango en la tuerca que está debajo del centro.

3. Presione el botón a resorte (E), Fig. 40, y mueva la tuerca de tope (A) hasta que la parte inferior de la tuerca haga contacto con el tope (F). Afloje la palanca de bloqueo de la broca (D) para permitir que el portabrocas y la broca regresen a la posición elevada.
4. Conecte la máquina a la fuente de alimentación y perfore un orificio de prueba para corroborar el ajuste. De ser necesario, vuelva a ajustar. Para ello, gire la tuerca de tope (A), Fig. 40, para lograr un ajuste fino. No es preciso que presione el botón (E) para girar la tuerca de tope (A).



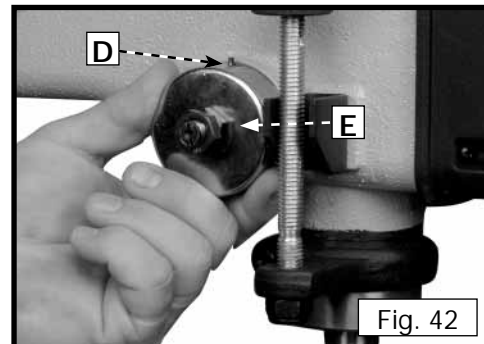
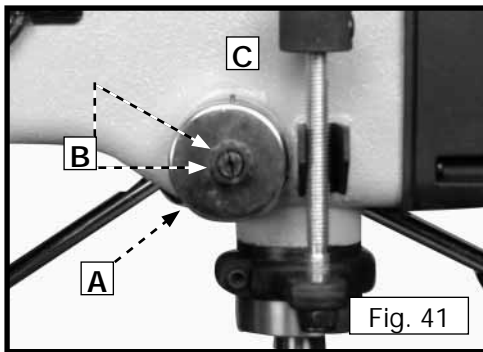
## AJUSTE DEL RESORTE DE REGRESO DEL EJE

El eje volverá lenta y automáticamente a su posición más elevada cuando se libere el mango. No obstante, si necesita ajustar:

**⚠ ADVERTENCIA:** Desconecte la máquina de la fuente del poder.

1. Afloje las tuercas (B), Fig. 41, pero no las retire. Asegúrese de que la cubierta del resorte (A) permanezca trabada con la pieza de fundición. (C).
2. Mientras sostiene la cubierta del resorte con firmeza (Fig. 42), hale de la cubierta y gírela (en el sentido de las agujas del reloj para disminuir y en sentido contrario para aumentar) hasta que la saliente (D) se trabe con la siguiente muesca de la cubierta. Ajuste las dos tuercas (B), Fig. 41, para sostener la cubierta en el lugar.

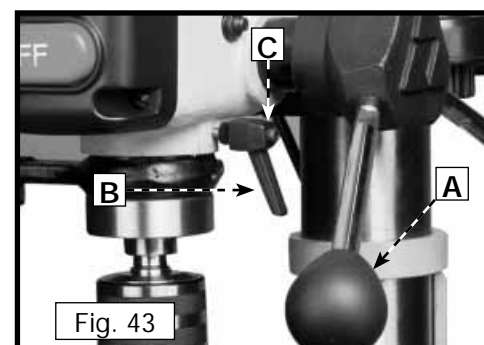
**IMPORTANTE:** La tuerca interna (E), Fig. 42, no debe hacer contacto con la cubierta del resorte (A), Fig. 41.



## ELEVAR Y BAJAR EL EJE

Eleve y baje el eje con los mangos del piñón (A), Fig. 43. Puede bloquear la broca en cualquier punto del trayecto con la palanca de bloqueo (B).

**NOTA:** La palanca de bloqueo de la broca (B) funciona a resorte. Hale hacia afuera del mango y vuelva a colocarlo en su centro (C).





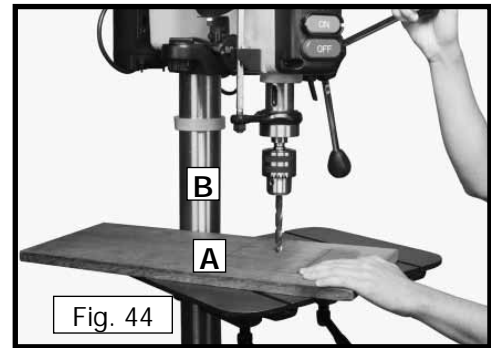
## UTILISATION DE LA MACHINE

NOTA: Use brocas con un vástago de 16 mm (5/8") de diámetro o menos.

NOTA: Después de instalar la broca, use la llave suministrada para ajustar los tres lugares del portabrocas.

**⚠ ADVERTENCIA:** El uso de accesorios y suplementos no recomendados por Delta puede generar un riesgo de lesiones.

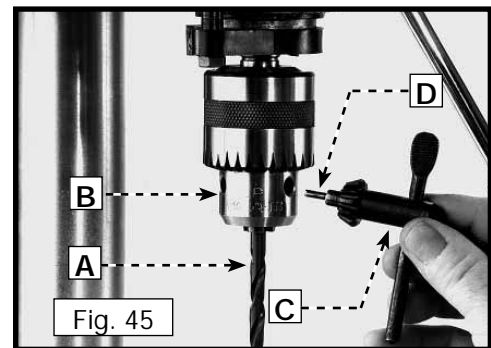
**IMPORTANTE:** Cuando la pieza de trabajo (A), Fig. 44, es lo suficientemente larga, colóquela sobre el banco con un extremo contra el lado izquierdo de la columna (B) para evitar que se gire. Si no es posible apoyar la pieza de trabajo contra la columna, asegure la pieza de trabajo al banco.



### INSTALACIÓN Y EXTRACCIÓN DE LAS BROCAS

NOTA: Use brocas con un vástago de 16 mm (5/8") de diámetro o menos.

**⚠ ADVERTENCIA:** Desconecte la máquina de la fuente del poder.



1. Introduzca el extremo liso de la broca (A), Fig. 45, en el portabrocas (B) hasta donde llegue y luego retírela 1,5 mm (1/16") (o hacia arriba, hacia las ranuras, en el caso de las brocas pequeñas).
2. Antes de ajustar el portabrocas con la llave (C), centre la broca (A), Fig. 45, en el portabrocas (B).
3. Gire la llave para portabrocas (C), Fig. 45, en el sentido de las agujas del reloj para ajustar y en sentido contrario para aflojar las mordazas del portabrocas.
4. Ajuste las tres mordazas del portabrocas para asegurar la broca y evitar que se deslice.
5. Antes de arrancar la prensa de taladro, retire la llave para portabrocas (C), Fig. 45, del portabrocas. La llave para portabrocas (C) está equipada con una clavija de expulsión automática (D) que ayuda a minimizar la posibilidad de dejar la llave en el portabrocas.

### VELOCIDADES DE PERFORACIÓN CORRECTAS

Los factores que determinan la velocidad correcta son la pieza de trabajo, el tamaño del orificio, el tipo de broca u otro cortante y la calidad del corte.

**⚠ ADVERTENCIA:** Use la velocidad recomendada para la pieza de trabajo y la broca de la prensa de taladro.



## PERFORAR MADERA

Las brocas helicoidales, que por lo general se usan para perforar metal, también se pueden usar para perforar orificios en madera. Sin embargo, para perforar madera se prefieren las brocas dentadas para máquina. Estas brocas cortan un orificio inferior plano y están diseñadas para eliminar astillas de madera. No use brocas manuales (punta de destornillador). Cuando la prensa de taladro gana velocidad, se levantan y giran la pieza de trabajo.

Para taladrar y atravesar, alinee la pieza de trabajo de modo que la broca atraviese el orificio central del banco. Trace una línea vertical en la parte delantera de la columna y una marca que coincida en el soporte del banco y la cabeza de la presa de taladro, de modo que el banco y la cabeza de la prensa de taladro se puedan ajustar a cualquier altura en la posición central.

Cuando la broca está próxima a atravesar la madera, introduzca la pieza de trabajo lentamente para evitar que la cara inferior se astille. Use un pedazo de madera de descarte debajo de la pieza de trabajo como bloque de base para reducir la posibilidad de que se astille y para que proteja la punta de la broca.

## PERFORAR METAL

Para sujetar las piezas de trabajo de metal, use abrazaderas. Nunca sostenga la pieza de trabajo con las manos sin protección. La broca puede atascar la pieza de trabajo en cualquier momento, en especial cuando atraviesa la pieza de trabajo, y puede dañar la máquina o lastimarlo. Si la pieza de trabajo golpea la columna, la broca se romperá.

Asegure la pieza de trabajo con firmeza. Cuando la pieza de trabajo se inclina, gira o voltea, no sólo se rompe la broca sino que además el orificio queda rugoso. Para trabajar con la pieza de trabajo en forma horizontal, colóquela sobre una base de madera y asegúrela con firmeza contra el banco para evitar que gire. Si la pieza de trabajo tiene una forma irregular y no se puede colocar en forma plana sobre el banco, trábela o asegúrela con firmeza.

# LOCALIZACION DE FALLAS

Para obtener asistencia para su máquina, visite nuestro sitio Web en [www.deltamachinery.com](http://www.deltamachinery.com) para tener acceso a una lista de centros de servicio o llame a la línea de ayuda de Delta Machinery al 1-800-223-7278. (En Canadá, llame al 1-800-463-3582.)

# MANTENIMIENTO

## MANTENGA LA MÁQUINA LIMPIA

Periódicamente sople por todas las entradas de aire con aire comprimido seco. Todas las piezas de plástico deben limpiarse con un paño suave y húmedo. NUNCA utilice solventes para limpiar las piezas de plástico. Podrían derretirse o dañar el material.

**▲ ADVERTENCIA:** Utilice equipo de seguridad certificado para proteger sus ojos, oídos y vías respiratorias cuando use aire comprimido.

## FALLA EN EL ENCENDIDO

Si la máquina no enciende, verifique que las patas del enchufe del cable hagan buen contacto en el tomacorriente. Además, revise que no hayan fusibles quemados o interruptores automáticos de circuito abierto en la línea.

## LUBRICACIÓN Y PROTECCIÓN CONTRA ÓXIDO

Aplique semanalmente cera en pasta para pisos a la mesa de la máquina y a la extensión u otra superficie de trabajo. También puede usar productos protectores disponibles en comercios y diseñados con este propósito. Siga las instrucciones del fabricante para su uso y seguridad. Para limpiar el óxido de las mesas de hierro fundido, necesitará los siguientes materiales: 1 hoja de Almohadilla Manual para Matizado mediana Scotch-Brite™, 1 lata de WD-40® y 1 lata de desgrasador. Aplique el WD-40 y pule la superficie de la mesa con la almohadilla Scotch-Brite. Desgrase la mesa y luego aplique el producto protector como se muestra más arriba.

## PIEZAS DE REPUESTO

Utilice sólo piezas de repuesto idénticas. Para obtener una lista de piezas o para solicitar piezas, visite nuestro sitio web en [servicenet.deltamachinery.com](http://servicenet.deltamachinery.com). También puede solicitar piezas en nuestro centro más cercano, o llamando a nuestro Centro de atención al cliente al 1-800-223-7278 para obtener asistencia personalizada de nuestros técnicos capacitados.

## MANTENIMIENTO Y REPARACIONES

Con el paso del tiempo, todas las herramientas de calidad requieren mantenimiento o reemplazo de las piezas. Para obtener información acerca de Delta Machinery, sus sucursales propias o un Centro de mantenimiento con garantía autorizado, visite nuestro sitio web en [www.deltamachinery.com](http://www.deltamachinery.com) o llame a nuestro Centro de atención al cliente al 1-800-223-7278. Todas las reparaciones realizadas por nuestros centros de mantenimiento están completamente garantizadas en relación con los materiales defectuosos y la mano de obra. No podemos otorgar garantías en relación con las reparaciones ni los intentos de reparación de otras personas.

También puede escribirnos solicitando información a Delta Machinery, 4825 Highway 45 North, Jackson, Tennessee 38305 - Mantenimiento de productos. Asegúrese de incluir toda la información mencionada en la placa de la herramienta (número de modelo, tipo, número de serie, etc.)

## REEMPLAZO GRATUITO DE LAS ETIQUETAS DE ADVERTENCIA

Si las etiquetas de advertencia se tornan eligibles o se pierden, llame al 1-800-223-7278 para reemplazarlas sin costo alguno.

**⚠ WARNING** FOR YOUR OWN SAFETY. READ AND UNDERSTAND INSTRUCTION MANUAL BEFORE OPERATING DRILL PRESS. ALWAYS WEAR EYE PROTECTION AND WEAR PROPER RESPIRATORY PROTECTION. DO NOT WEAR GLOVES, NECKTIES, JEWELRY OR LOOSE CLOTHING. ALWAYS CLAMP WORKPIECE OR BRACE IT AGAINST COLUMN TO PREVENT ROTATION. KEEP HANDS AWAY FROM ROTATING BIT OR ACCESSORY. USE RECOMMENDED SPEED FOR THE DRILL AND WORKPIECE MATERIAL. BE SURE DRILL BIT OR CUTTING TOOL IS NOT DAMAGED AND PROPERLY LOCKED IN THE CHUCK BEFORE OPERATING. MAKE CERTAIN CHUCK KEY IS REMOVED BEFORE STARTING DRILL PRESS. DISCONNECT MACHINE FROM POWER SOURCE BEFORE MAKING REPAIRS OR ADJUSTMENTS. DO NOT EXPOSE TO RAIN OR USE IN DAMP LOCATIONS.

**⚠ ADVERTENCIA** POR SU PROPIA SEGURIDAD. LEA Y COMPRENDA EL MANUAL DE INSTRUCCIONES ANTES DE UTILIZAR LA PRENSA DE TALADRO. SIEMPRE UTILICE PROTECCIÓN PARA LOS OJOS Y PROTECCIÓN APROPIADA PARA LA RESPIRACIÓN. NO USE GUANTES, CORBATAS, JOYAS NI ROPA HOLGADA. SIEMPRE SUJETE LA PIEZA DE TRABAJO CON ABRAZADERAS O AMÁRRELA CONTRA LA COLUMNA PARA EVITAR LA ROTACIÓN. MANTENGA LAS MANOS LEJOS DE LA BROCA O ACCESORIOS GIRATORIOS. USE LA VELOCIDAD RECOMENDADA PARA EL TALADRO Y EL MATERIAL DE LA PIEZA DE TRABAJO. ASEGÚRESE DE QUE LA BROCA DEL TALADRO O LA HERRAMIENTA DE CORTE NO ESTÉN DAÑADAS Y DE QUE ESTÉN CORRECTAMENTE BLOQUEADAS EN EL PORTABROCAS ANTES DE SU OPERACIÓN. ASEGÚRESE DE RETIRAR LA LLAVE DE PORTABROCAS ANTES DE ENCENDER LA PRENSA DE TALADRO. DESCONECTE LA MÁQUINA DE LA FUENTE DE ALIMENTACIÓN ANTES DE REALIZAR REPARACIONES O AJUSTES. NO EXPONGA A LA LLUVIA NI UTILICE EN LUGARES HÚMEDOS.

**⚠ AVERTISSEMENT** POUR VOTRE PROPRE SÉCURITÉ. BIEN LIRE ET COMPRENDRE LE MODE D'EMPLOI AVANT D'UTILISER LA PERCEUSE À COLONNE. TOUJOURS PORTER UNE PROTECTION OCULAIRE ET DES ARTICLES DE PROTECTION DES VOIES RESPIRATOIRES APPROPRIÉS. NE PAS PORTER DE GANTS, CRAVATES, BIJOUX OU VÊTEMENTS AMPLES. TOUJOURS FIXER LA PIÈCE OU BIEN LA CALER CONTRE LA COLONNE POUR EMPÊCHER UNE ROTATION. TENIR VOS MAINS ÉLOIGNÉES DE LA MÈCHE ROTATIVE OU ACCESSOIRE. UTILISER LA VITESSE RECOMMANDÉE POUR LA PERCEUSE ET LE MATÉRIEL DE LA PIÈCE À PERCER. S'ASSURER QUE LA MÈCHE OU L'ORGANE DE COUPE N'EST PAS ENDOMMAGÉ ET QU'IL EST BIEN VERROUILLÉ DANS LE MANDRIN AVANT SON UTILISATION. S'ASSURER DE RETIRER LA CLÉ DU MANDRIN AVANT DE DÉMARRER LA PERCEUSE DE COLONNE. DÉBRANCHER LA MACHINE DE LA SOURCE D'ALIMENTATION AVANT D'EFFECTUER DES RÉPARATIONS OU DES RÉGLAGES. NE PAS L'EXPOSER À LA PLUIE ET NE PAS L'UTILISER DANS UN ENDROIT HUMIDE.

A18703

## ACCESORIOS

Una línea completa de accesorios está disponible de su surtidor de Porter-Cable • Delta, centros de servicio de la fábrica de Porter-Cable • Delta, y estaciones autorizadas delta. Visite por favor nuestro Web site [www.deltamachinery.com](http://www.deltamachinery.com) para un catálogo o para el nombre de su surtidor más cercano.

**⚠ ADVERTENCIA:** Puesto que los accesorios con excepción de éstos ofrecidos por Delta no se han probado con este producto, el uso de tales accesorios podría ser peligroso. Para la operación más segura, solamente el delta recomendó los accesorios se debe utilizar con este producto.

## GARANTIA

Para registrar la herramienta para obtener el mantenimiento cubierto por la garantía de la herramienta, visite nuestro sitio web en [www.deltamachinery.com](http://www.deltamachinery.com).

### Garantía limitada de dos años para productos nuevos

Delta reparará o reemplazará, a expensas y opción propias, cualquier máquina nueva, pieza de máquina nueva o accesorio de máquina nuevo Delta que durante el uso normal haya presentado defectos de fabricación o de material, siempre que el cliente devuelva el producto con el transporte prepagado a un centro de servicio de fábrica Delta o una estación de servicio autorizado Delta, con un comprobante de compra del producto, dentro del plazo de dos años y dé a Delta una oportunidad razonable de verificar el supuesto defecto mediante la realización de una inspección. Para todos los productos Delta reacondicionados, el período de garantía es de 180 días. Delta podrá requerir que los motores eléctricos sean devueltos con el transporte prepagado a una estación autorizada de un fabricante de motores para ser sometidos a inspección y reparación o para ser reemplazados. Delta no será responsable de ningún defecto alegado que haya resultado del desgaste normal, uso indebido, abuso o reparación o alteración realizada o autorizada específicamente por alguien que no sea un centro de servicio autorizado Delta o un representante autorizado Delta. Delta no será responsable en ninguna circunstancia de los daños incidentales o emergentes que se produzcan como resultado de productos defectuosos. Esta garantía es la única garantía de Delta y establece el recurso exclusivo del cliente en lo que respecta a los productos defectuosos; Delta rechaza expresamente todas las demás garantías, expresas o implícitas, tanto de comerciabilidad como de idoneidad para un propósito o de cualquier otro tipo.

# NOTES

The following are trademarks for one or more Porter-Cable and Delta products: • Les marques suivantes sont des marques de commerce se rapportant à un ou plusieurs produits Porter-Cable ou Delta : • Las siguientes son marcas comerciales para uno o más productos de Porter-Cable y Delta:

2 BY 4<sup>®</sup>, 890<sup>™</sup>, Air America<sup>®</sup>, AIRBOSS<sup>™</sup>, Auto-Set<sup>®</sup>, B.O.S.S.<sup>®</sup>, Bammer<sup>®</sup>, Biesemeyer<sup>®</sup>, Builders Saw<sup>®</sup>, Charge Air<sup>®</sup>, Charge Air Pro<sup>®</sup>, CONTRACTOR SUPERDUTY<sup>®</sup>, Contractor's Saw<sup>®</sup>, Delta<sup>®</sup>, DELTA<sup>®</sup>, Delta Industrial<sup>®</sup>, DELTA MACHINERY & DESIGN<sup>™</sup>, Delta Shopmaster and Design<sup>®</sup>, Delta X5<sup>®</sup>, Deltacraft<sup>®</sup>, DELTAGRAM<sup>®</sup>, Do It. Feel It.<sup>®</sup>, DUAL LASERLOC AND DESIGN<sup>™</sup>, EASY AIR<sup>®</sup>, EASY AIR TO GO<sup>™</sup>, ENDURADIAMOND<sup>®</sup>, Ex-Cell<sup>®</sup>, Front Bevel Lock<sup>®</sup>, Get Yours While the Sun Shines<sup>®</sup>, Grip to Fit<sup>®</sup>, GRIPVAC<sup>™</sup>, GTF<sup>®</sup>, HICKORY WOODWORKING<sup>®</sup>, Homecraft<sup>®</sup>, HP FRAMER HIGH PRESSURE<sup>®</sup>, IMPACT SERIES<sup>™</sup>, Innovation That Works<sup>®</sup>, Jet-Lock<sup>®</sup>, Job Boss<sup>®</sup>, Kickstand<sup>®</sup>, LASERLOC<sup>®</sup>, LONG-LASTING WORK LIFE<sup>®</sup>, MAX FORCE<sup>™</sup>, MAX LIFE<sup>®</sup>, Micro-Set<sup>®</sup>, Midi-Lathe<sup>®</sup>, Monsoon<sup>®</sup>, MONSTER-CARBIDE<sup>™</sup>, Network<sup>®</sup>, OLDHAM<sup>®</sup>, Omnijig<sup>®</sup>, PC EDGE<sup>®</sup>, Performance Crew<sup>™</sup>, Performance Gear<sup>®</sup>, Pocket Cutter<sup>®</sup>, Porta-Band<sup>®</sup>, Porta-Plane<sup>®</sup>, Porter Cable<sup>®</sup>, Porter-Cable Professional Power Tools<sup>®</sup>, Powerback<sup>®</sup>, POZI-STOP<sup>™</sup>, Pressure Wave<sup>®</sup>, PRO 4000<sup>®</sup>, Proair<sup>®</sup>, Quicksand and Design<sup>®</sup>, Quickset II<sup>®</sup>, QUIET DRIVE TECHNOLOGY<sup>™</sup>, QUIET DRIVE TECHNOLOGY AND DESIGN<sup>™</sup>, Quik-Change<sup>®</sup>, QUIK-TILT<sup>®</sup>, RAPID-RELEASE<sup>™</sup>, RAZOR<sup>®</sup>, Redefining Performance<sup>®</sup>, Riptide<sup>®</sup>, Safe Guard II<sup>®</sup>, Sand Trap and Design<sup>®</sup>, Sanding Center<sup>®</sup>, Saw Boss<sup>®</sup>, Shop Boss<sup>®</sup>, Sidekick<sup>®</sup>, Site Boss<sup>®</sup>, Speed-Bloc<sup>®</sup>, Speedmatic<sup>®</sup>, Stair Ease<sup>®</sup>, Steel Driver Series<sup>®</sup>, SUPERDUTY<sup>®</sup>, T4 & DESIGN<sup>®</sup>, THE AMERICAN WOODSHOP<sup>®</sup>, THE PROFESSIONAL EDGE<sup>®</sup>, Thin-Line<sup>®</sup>, Tiger Saw<sup>®</sup>, TIGERCLAW<sup>®</sup>, TIGERCLAW AND DESIGN<sup>®</sup>, Torq-Buster<sup>®</sup>, TRU-MATCH<sup>®</sup>, T-Square<sup>®</sup>, Twinlaser<sup>®</sup>, Unifence<sup>®</sup>, Uniguard<sup>®</sup>, UNIRIP<sup>®</sup>, UNISAW<sup>®</sup>, UNITED STATES SAW<sup>®</sup>, Veri-Set<sup>®</sup>, Versa-Feeder<sup>®</sup>, VIPER<sup>®</sup>, VT<sup>™</sup>, VT RAZOR<sup>™</sup>, Water Driver<sup>®</sup>, WATER VROOM<sup>®</sup>, Waveform<sup>®</sup>, Whisper Series<sup>®</sup>, X5<sup>®</sup>, YOUR ACHIEVEMENT. OUR TOOLS.<sup>®</sup>

Trademarks noted with <sup>®</sup> are registered in the United States Patent and Trademark Office and may also be registered in other countries. Other trademarks may apply. • Les marques de commerce suivies du symbole <sup>®</sup> sont enregistrées auprès du United States Patent and Trademark Office et peuvent être enregistrées dans d'autres pays. D'autres marques de commerce peuvent également être applicables. • Las marcas comerciales con el símbolo <sup>®</sup> están registradas en la Oficina de patentes y marcas comerciales de Estados Unidos (United States Patent and Trademark Office), y también pueden estar registradas en otros países. Posiblemente se apliquen otras marcas comerciales registradas.



Delta Machinery  
4825 Highway 45 North  
Jackson, TN 38305  
(800) 223-7278  
[www.deltamachinery.com](http://www.deltamachinery.com)