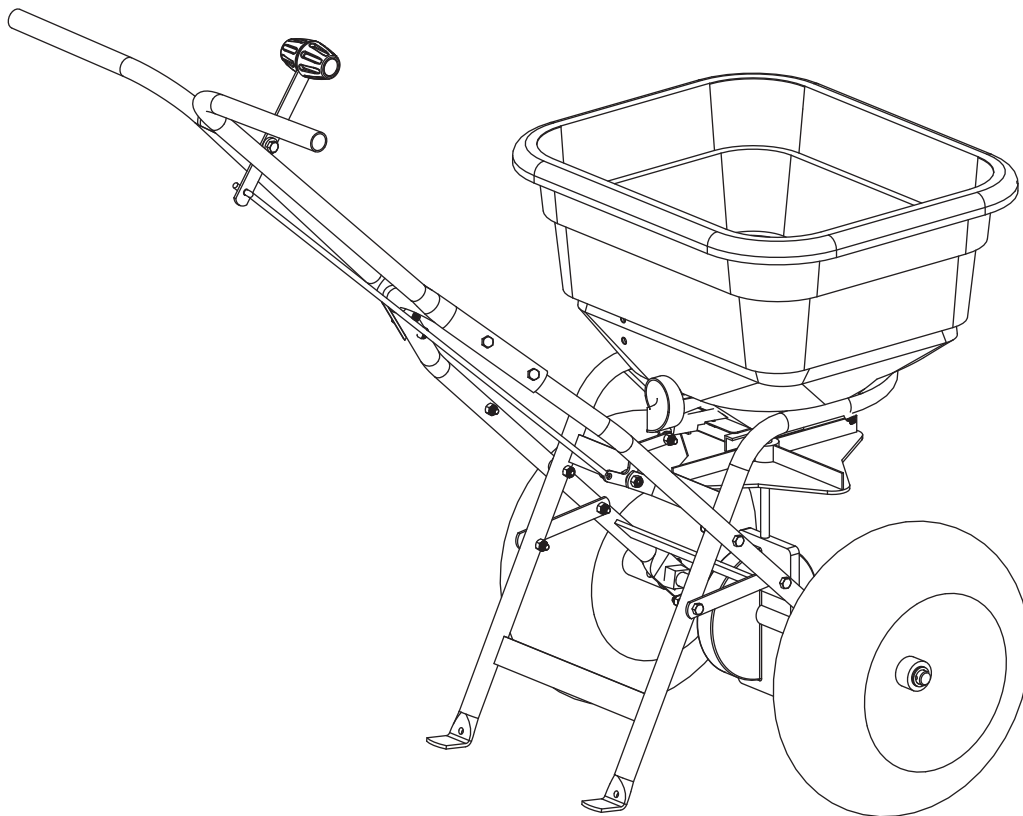




Operator's Manual

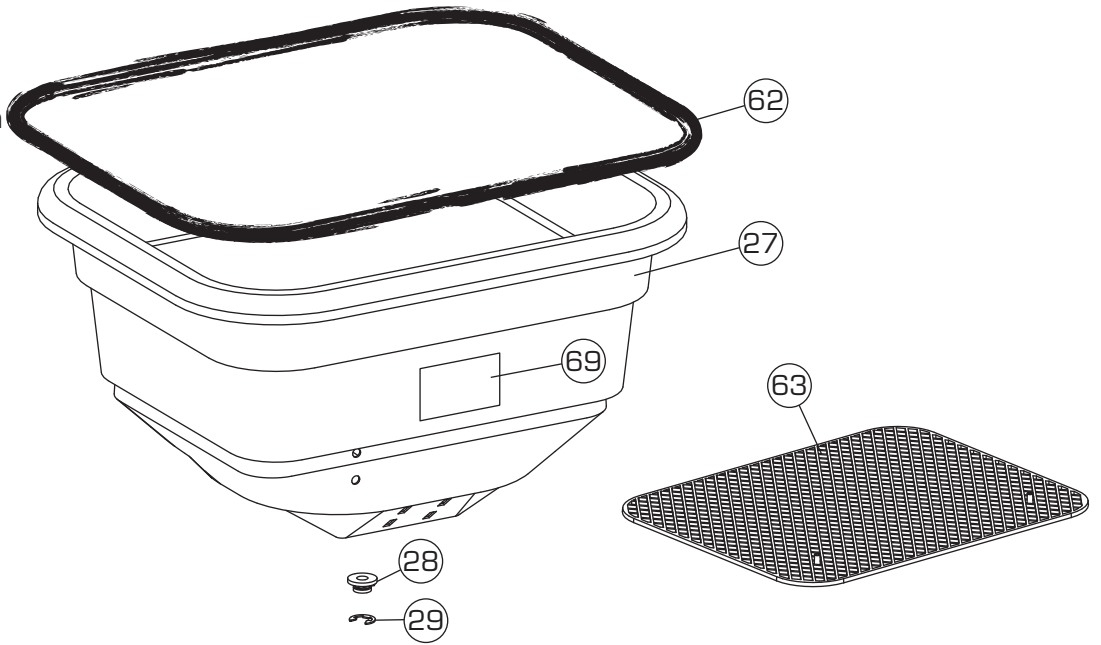
Model P40/S40 Series



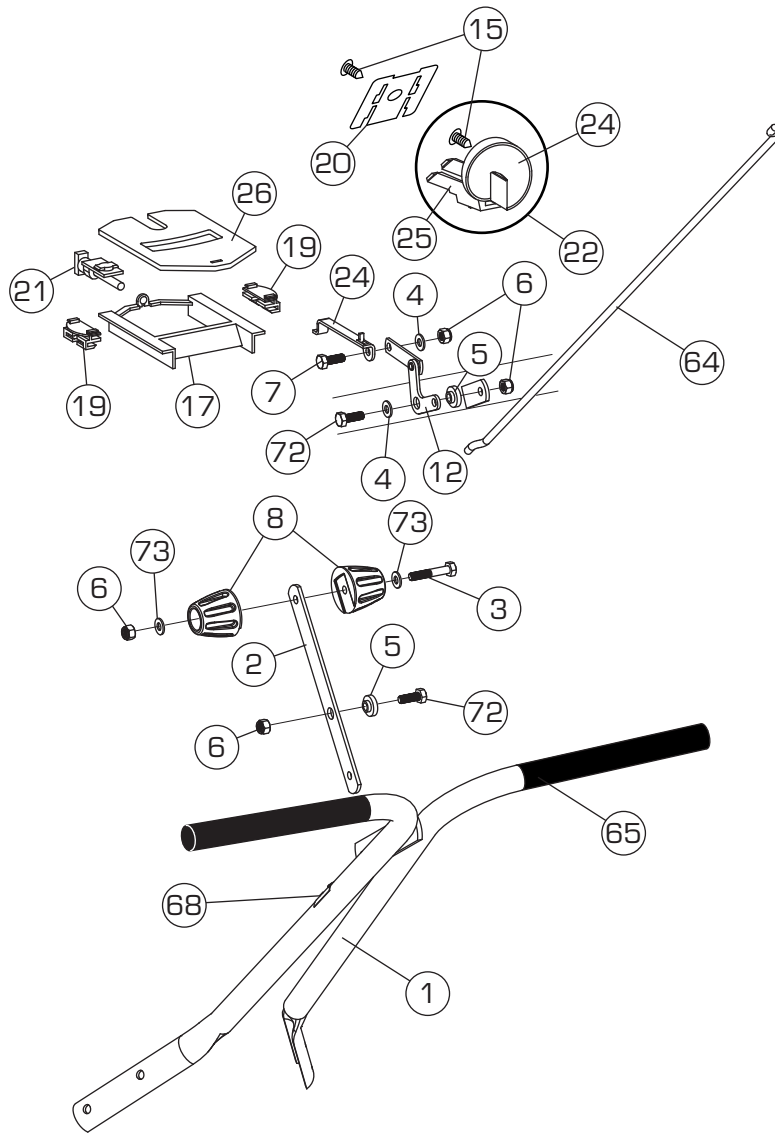
▲IMPORTANT This manual contains information for the safety of persons and property. Read it carefully before assembly and operation of the equipment!

Spyker Spreaders
Contact Us at 800.972.6130

Hopper Explosion

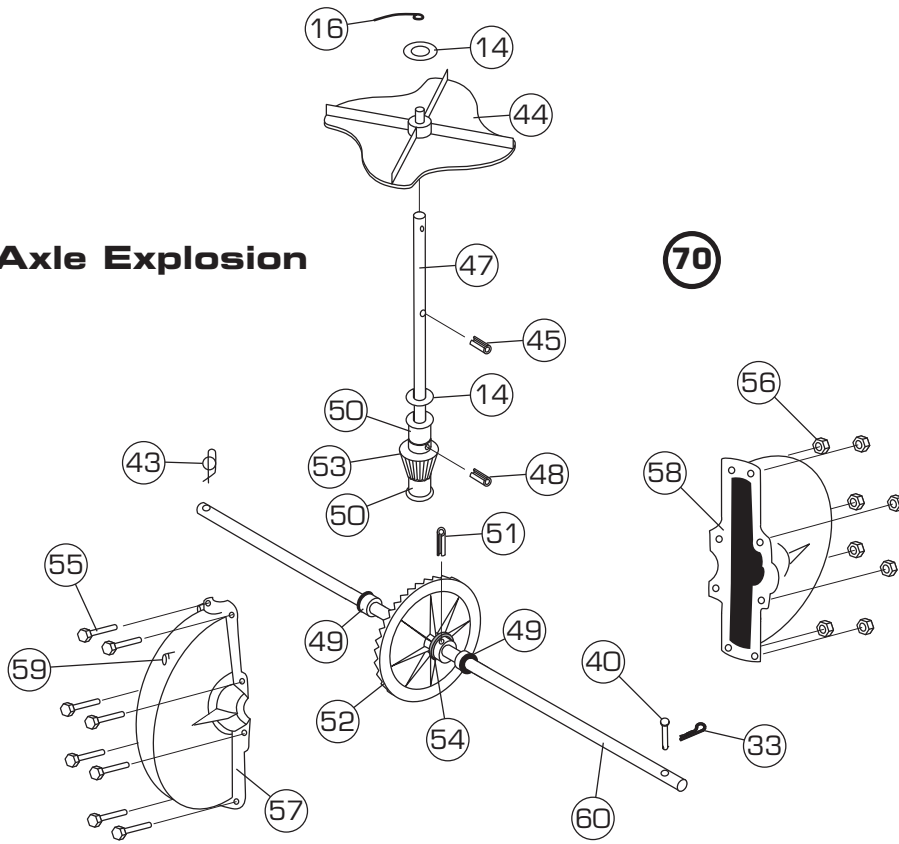


Rate Gate and Deflector Explosion

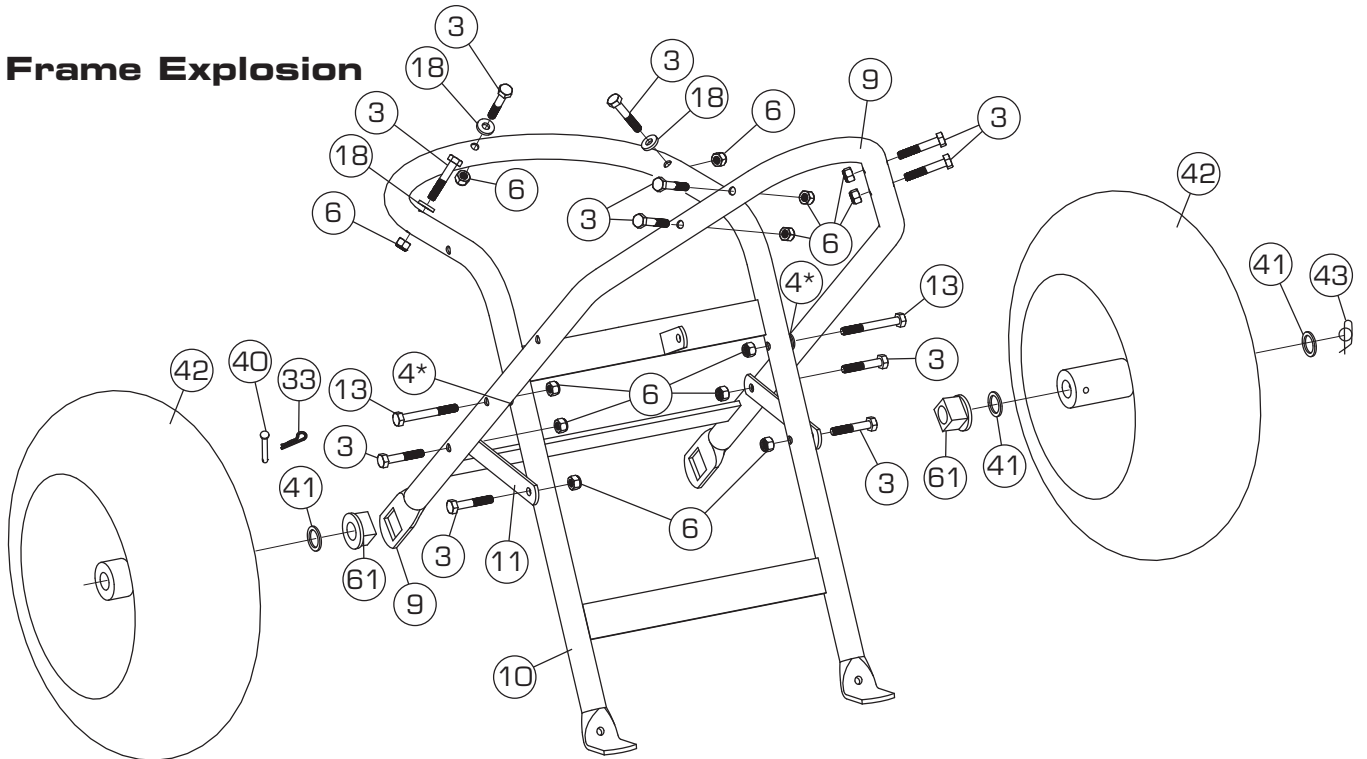


Handle Explosion

Spinner/Axle Explosion



Frame Explosion



*As needed for shimming

Item	Part Number	Qty	Description	Item	Part Number	Qty	Description
1	1007770-01	1	Handle Stainless	36	N/A		Number Not Used
	1008052-10	1	Handle Painted	37	N/A		Number Not Used
2	1007773	1	Control Lever	38	N/A		Number Not Used
3	05-90-0054	12	1/4" x 1-1/2" Bolt, SS	39	N/A		Number Not Used
4	05-92-0008	6	1/4" Washer, SS	40	05-90-0065	1	3/16" x 1-3/4" Clevis Pin
5	05-94-0051	2	Nylon Flange Bushing	41	05-92-0004	3	Flat Washer, SS
6	SS-91-0004	17	1/4" Nylon Locknut, SS	42	05-95-0016-JD	2	Wheel
7	05-90-0121	1	1/4" x 3/4" Bolt, SS	43	05-90-0040	1	Rue Ring Locking Pin
8	1007828	2	Knob Half	44	SS-94-0012	1	Spreading Spinner
9	1007774-01	1	Axle Support Stainless	45	SS-90-0002	1	1/8" x 7/8" Roll Pin
	1008055-10	1	Axle Support Painted	46	N/A		Number Not Used
10	1007777-01	1	Hopper Support Stainless	47	05-97-0037	1	Spinner Shaft, SS
	1008058-10	1	Hopper Support Painted	48	SS-90-0001	1	1/8" x 3/4" Roll Pin
11	1007794	2	Cross Brace Stainless	49	05-90-0093	2	5/8" Gearbox Bushing
	1008061-10	2	Cross Brace Painted	50	05-90-0094	2	3/8" Spinner Shaft Bushing
12	1007811	1	Control Linkage Assembly	51	05-90-0096	1	3/16" x 1" Dowel Pin, SS
13	1007888	2	1/4" x 2-1/4" Bolt, SS	52	05-94-0033	1	Bevel Gear
14	SS-92-0002	2	Felt Washer	53	05-94-0034	1	Pinion Gear
15	05-94-0078	2	Pine Tree Clip	54	05-288-1027	1	Nylon Spacer Retaining Pin
16	SS-96-0003	1	Agitator Wire	55	05-90-0097	8	#10 x 5/8" Flanged Head Bolt, SS
17	05-94-0043	1	Accuway Diffuser	56	05-91-0008	8	#10 Nylon Locknut, SS
18	05-94-0064	5	Nylon Washer	57	05-94-0037	1	Gear Box Cover Front
19	05-94-0097	2	Rate Gate Guide	58	05-94-0038	1	Gear Box Cover Rear
20	05-48-1015	1	Dial Mount Retainer	59	05-98-0111	1	Grease Zerk
21	05-46-2211-T	1	Accuway Screw Assembly	60	1007781	1	Axle
22	05-48-1113-T	1	Rate Gate & Dial Assy	61	F-283	2	Axle Bearing
23	SS-94-0006	1	Plastic Dial	62	05-94-0065	1	Hopper Cover
24	05-24-1102	1	Rate Gate Link	63	1008022	1	Screen
25	05-94-0099	1	Dial Mount	64	05-46-1014	1	Control Rod
26	05-94-0068	1	Rate Gate	65	SS-94-0013	2	Handle Grip
27	1007847	1	Hopper	66	N/A		Number Not Used
28	F-574	1	Bearing	67	N/A		Number Not Used
29	B1HF577	1	5/8" E-Ring	68	05-99-0063	1	On-off Decal
30	N/A		Number Not Used	69	05-93-0075	1	Spyker Accuway Label
31	N/A		Number Not Used	70	1007818	1	Spinner/Axle Assembly
32	N/A		Number Not Used	71	N/A		Number Not Used
33	N/A		Number Not Used	72	1001255	2	1/4" x 1" Bolt, SS
34	N/A		Number Not Used	73	1001554	2	Nylon Washer
35	N/A		Number Not Used				

1. Install Linkage to Lever as shown, Figure 1.

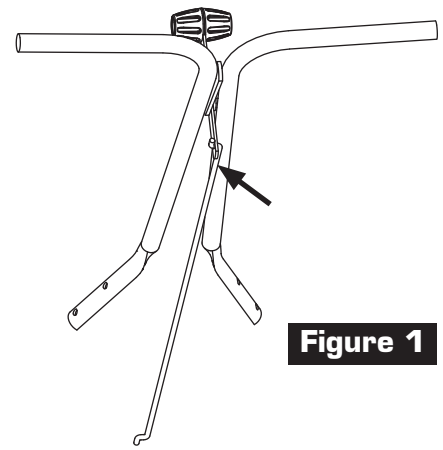


Figure 1

2. Turn Handle Assembly sideways and install Linkage into Rate Gate Lever as shown, Figure 2.

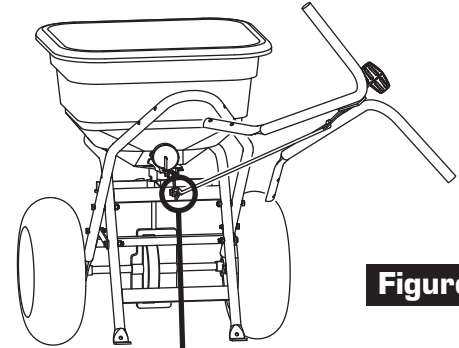
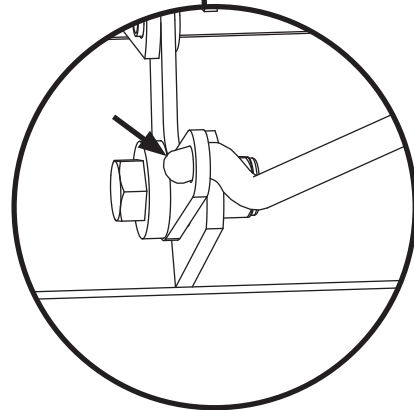


Figure 2



3. Attach Handle Assembly to Frame using (4) 1/4 x 1-1/2" long Bolts and 1/4" Nylon Insert Locknuts, Figure 3.

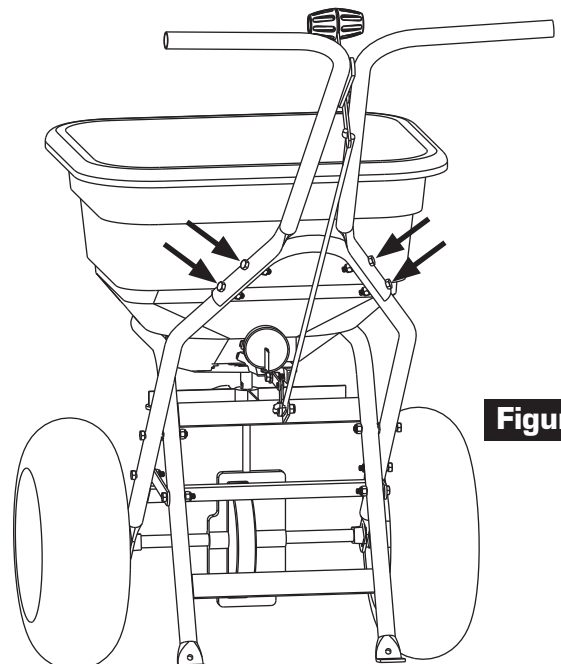


Figure 3

- 4. Install Handle Grips on Handle of Spreader, Figure 4.

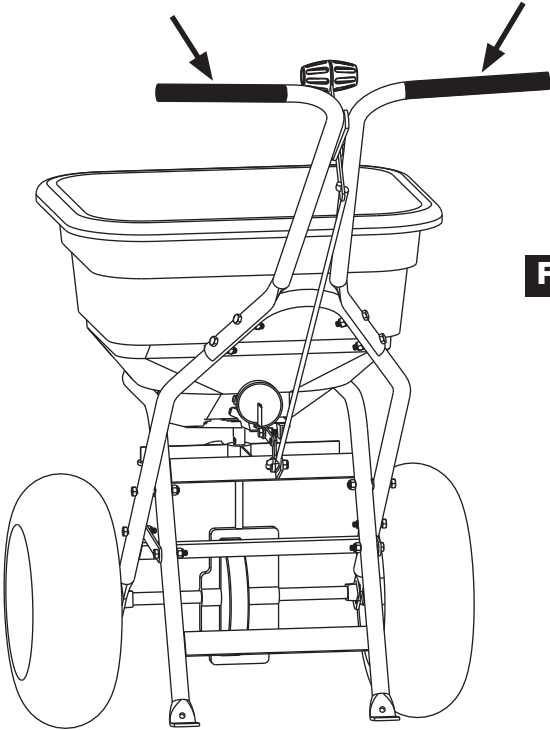


Figure 4

READ BEFORE USING

OPERATE SAFELY

Keep bystanders away when you operate this machine.

Use this machine for intended purpose only.

Do not let children or an untrained person operate machine.

Keep all parts in good condition and properly installed. Fix damaged parts immediately. Replace worn or broken parts.

Do not modify the machine or safety devices. Unauthorized modifications to the machine may impair its function and safety, and void the warranty.

Do not let anyone sit or ride on equipment during operation. Keep riders off attachment.

Wear substantial footwear and long trousers. Do not operate the equipment when barefoot or wearing open sandals.

Do not wear loose fitting clothing that can get caught in moving parts.

Always wear eye protection when operating the equipment.

Stay alert for holes in the terrain and other hidden hazards.

Watch out for traffic when crossing or near roadways.

Before you operate any feature of this machine, observe your surroundings and look for bystanders.

Always wash hands after contact with fertilizers and pesticides.

Keep all nuts, bolts and screws tight to be sure the equipment is in safe working condition.

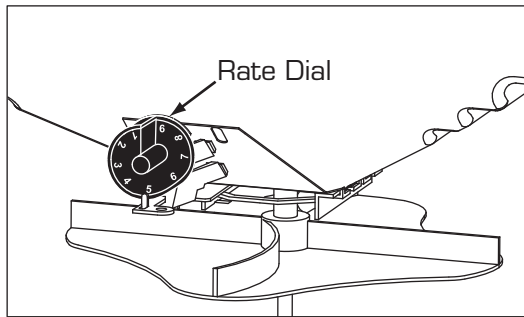
READ BEFORE USING

Become Familiar With The Operation Of The Spreader Before You Put Material In The Hopper

- Practice walking with the spreader, opening and closing the rate gate at the appropriate times.
- Travel at a constant speed and operate the spreader lever position. Remember: Open the rate gate after the spreader is in motion at operating speed (about 3 mph, or at a brisk walking pace).
- Close the rate gate while spreader is still at operational speed.

Dial Setting Information

The RATE DIAL has 9 numbers with 10 stops between each number. This allows for accurate control of the spreading rate. The dial is set with only a turn, it will automatically lock into the set position. LINE UP THE DIAL NUMBER WITH THE DIAL INDICATOR.



- The spread width ranges from 4 - 12 ft. wide depending on the volume/density, particle size of the material, and rate of travel.
- The spread thins or feathers at the outer edges, eliminating sharp, "Edge Of Spread" lines which cause stripes and streaks. Extra coverage can be given under trees and other heavy feeding areas without showing "Edge Of Spread" lines.
- Gaps and double overlaps are less likely. Small errors in travel are forgiven and do not show.

WARNING: When spreading products containing herbicides, exercise extreme caution with respect to careless spreading and to wind-drift.

Contact Of Some Products On Some Plants Can Be Fatal

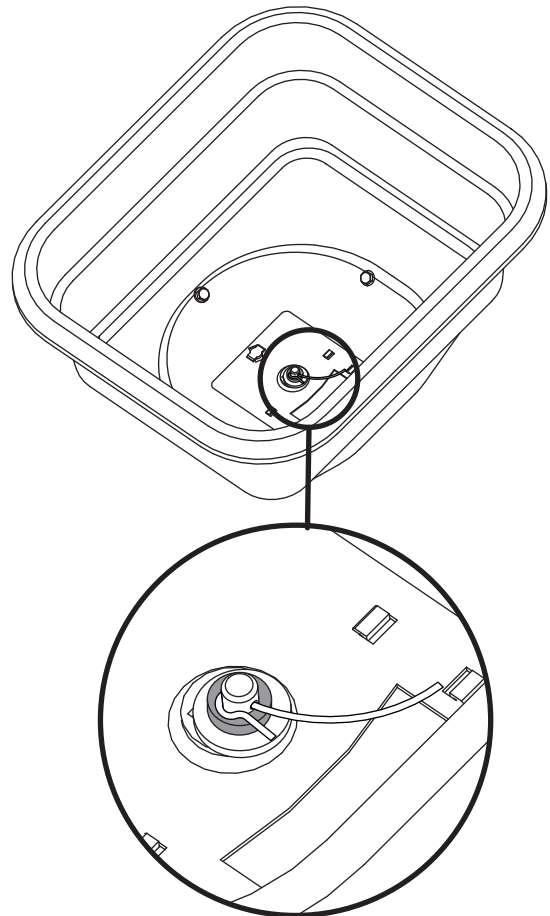
If a dial setting is not found, use the size and weight comparison table found in this manual. Determine a

dial setting on the low side. If the setting proves to be too low, cover the area more than one time. A higher setting can be used when a proven dial setting is established.

Remember: Published dial settings are approximate only. The operation of the spreader, the condition of the material (damp or dry or over-pulverized) and weather conditions, are all contributing factors. For these reasons, it is often a good idea to spread the area 2 times - or one-half rate - in cross directions (SEE INFORMATION ON ONE-HALF RATE DIAL SETTINGS). One-half rate dial settings are highly recommended under damp and humid conditions.

Rotary Agitator

Use the rotary agitator only if needed. Free-flowing, lump-free materials will not require the agitator. The rotary agitator is easily installed or removed. Note the clockwise rotation and sweep. Place felt washer around spinner shaft before inserting agitator.



READ BEFORE USING

Now You Are Ready To Put Material In The Hopper

WARNING: Avoid Injury! Chemicals can be dangerous. Avoid injury to operators or bystanders.

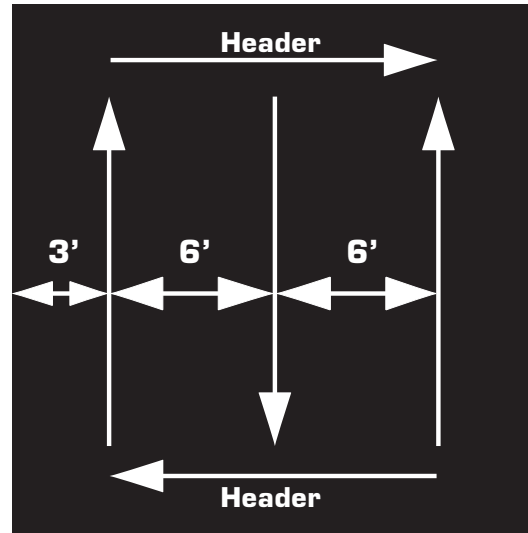
- Make sure the rate gate is in the closed position.
- Read chemical container label for handling instructions. A Material Safety Data Sheet (MSDS) should be supplied by the chemical dealer and provides proper safety information.
- Wear proper clothing and safety equipment while handling or applying chemicals.
- Prohibit all smoking, drinking, and eating around chemicals.
- When spreading products containing herbicides, exercise extreme caution with respect to careless spreading and to wind-drift. Contact Of Some Products On Some Plants Can Be Fatal.
- Fill the spreader on a flat, level surface only. Fill on sidewalk, driveway, cardboard, etc. to avoid material loss.
- When filling hopper with material, always use screen to help break up clumps.

Now You Are Ready To Spread

- Keep spinner blade clean. Excess material build-up can cause an uneven spread pattern.
- Keep the impeller level when spreading.
- DO NOT overload. Maximum capacity is 50 lbs.
- DO NOT use on windy days.
- Spread header strips at the ends of the area OPPOSITE of the direction of spreading. This will provide a "turn-around" area, an area to re-align the spreader for the return spread.
- Example shown is for 6 ft. wide spread. Make the first spread pass at one-half the spread width from the edge of the spreading area or in this case, approximately 3 feet (or one big step).
- Additional spreading passes will be at the full spread width or approximately 6 ft. apart.
- TAKE A SIGHTING AT THE FAR END. Keep your eye on the sighting as you spread. You will not need to wonder where you are or where you have been. Continue until spreading is completed.

- Left over fertilizer can be spread under trees and other high feeding areas without showing "edge of spread" lines.

Tip: When not spreading, and if pushing the spreader some distance, tip the spreader so only the idle wheel is on the ground.



Cleaning The Spreader Is Part Of The Spreading Job

Clean and oil spreader immediately after each use.

Method #1 - Wipe spreader thoroughly with an oily cloth. Oil all bearings and bearing areas.

Method #2 - Wash, rinse, and dry the spreader. Note: Drying takes time. Moisture trapped in bearing areas is slow to go. Immediately after drying - oil all bearings and moving parts. Make certain all operations are thorough.

NOTE: Good "Dry Cleaning" is preferable to poor "Wet Cleaning".

- It is virtually impossible to have rust and corrosion on a clean, dry, oiled surface.
- Again - just before using - oil all bearings and moving parts.
- In storage, ideally the spreader should be hung by the handle. In any case, do not pile weight on the spreader, as excess weight over a period of time can distort the tires.

Oil Bearings And All Moving Parts

Make sure the spreader is running freely!

ACCUWAY - What It Does

The Accuway Spread Pattern Equalizer Balances the spread pattern - Bulls Eye - Dead to the Center of the Spreader.

All products. All spreading conditions.

Skewing is eliminated. Does not change the spread width.

ACCUWAY - How It Works

Accuway shifts the material placement on the spreader spinner fan. This in turn, balances the pattern heavier to the right or heavier to the left.

Spread pattern can be affected by many variables such as humidity, temperature, wind, spreader condition, speed of travel, material size and weight. Because of these variables, the diffuser must be adjusted for each type of application. Proper adjustment will minimize skewing and uneven coverage.

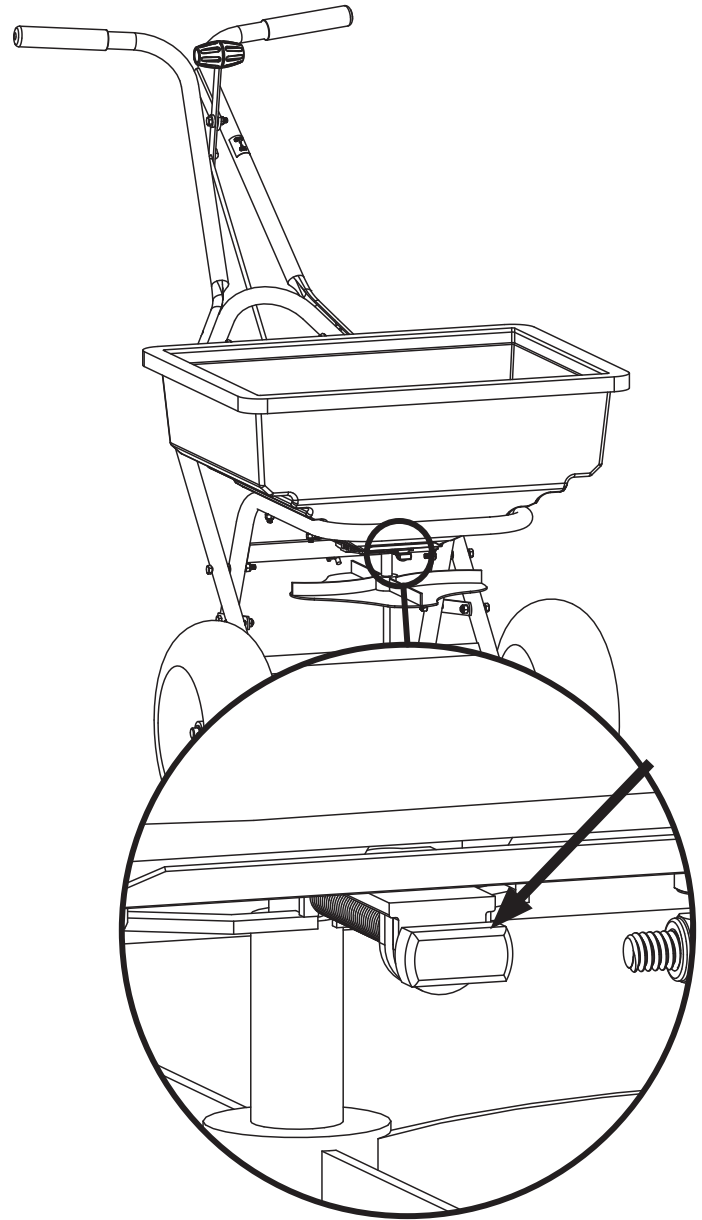
Adjustment is very sensitive. Turning the Accuway Diffuser Knob just a little will result in a drastic change to the spread pattern.

The Accuway Diffuser Plate has a front and a rear ramp. Never adjust so that the diffuser plate splits the material flow to both the front and rear ramp at the same time.

If the spreader is spreading to the left of center, turn the diffuser knob counterclockwise fully. Then adjust clockwise until the edge of the diffuser plate centers the spread.

If the spreader is spreading to the right of center, turn the diffuser knob clockwise fully. Adjust counterclockwise until the edge of the diffuser plate centers the spread.

NEVER USE ACCUWAY FRONT AND REAR RAMPS TO SPLIT THE PRODUCT FLOW. Use only the front side or the back side. With proper adjustment you should be able to achieve a balanced spread pattern.



TROUBLESHOOTING

<p>Spreader does not sit flat</p>	<p>The "feet" or the flattened portion of the spreader hopper support tubes are not bent equally.</p>	<p>Using a hammer or pliers, bend the feet to be equal with each other.</p>
<p>Deflector shut off is binding and will not open/close properly</p>	<p>Shut off plate is jammed with debris.</p>	<p>Thoroughly wash out hopper and shut off plates with water. Ensure debris is not stuck between shut off plate and rate gate plate.</p>

NOTE: Dial Settings Are Approximate Only !			Dial Settings		Dial Settings	
Product	Particle Size	Lbs. per 1000 sq. ft.	Full Rate	↑	↓	Half Rate
			Once Over			Twice Over
Fine Pellets		1	3.6			3.1
		2	4.0			3.5
		3	4.2			3.7
Mixed Fine Pellets		2	3.7			3.2
		4	4.7			4.1
		6	5.2			4.5
Small Pellets		2	3			2.2
		4	4.2			3.7
		6	4.5			4
Nitrogen Pellets Medium Size		1	3.5			3
		2	4.2			3.7
		3	4.7			4
Medium Pellets And Granuals		2	3.5			3
		4	4.2			3.8
		6	5.2			4.5
Large Heavy Pellets		2	3.8			3.3
		4	4.9			4.1
		6	5.9			4.9

GRASS SEED SPREADING CHART					
Product	Bag Weight	Sq. Ft. Coverage	Dial Setting Full Rate	Dial Setting Half Rate	Spread Width
Blue Grass or Red Top	.5 lbs.	1,000	1.25		4
	1 lbs.	1,000	2.0		4
	2 lbs.	1,000	2.5		4
Park, Merion, Delta, or Kentucky Bluegrass	.5 lbs.	1,000	2.5		4
	1 lbs.	1,000	3.0		4
	2 lbs.	1,000	3.5		4
Hulled Bermuda	2 lbs.	1,000	2.75	2.25	6
	3 lbs.	1,000	3.0	2.5	6
	4 lbs.	1,000	3.25	2.75	6
Mixtures Including Coarse Seeds	2 lbs.	1,000	6.0		6
	4 lbs.	1,000	7.0		6
	6 lbs.	1,000	7.0		6
Rye Grasses or Tall Fescue	2 lbs.	1,000	6.0		6
	4 lbs.	1,000	7.0		6
	6 lbs.	1,000	7.75		6
Dichondra	4 oz.	1,000	1.9		8
	8 oz.	1,000	2.1		8
	12 oz.	1,000	2.5		8
Pensacola Bahia	4 lbs.	1,000	4.5	3.75	7
	5 lbs.	1,000	4.75	4.0	7
	6 lbs.	1,000	5.0	4.25	7



1 YEAR LIMITED WARRANTY

This is warranted to the original purchaser only. Spyker will replace parts with defects in materials and workmanship, for a period of one year from the date of purchase.

For Spyker Spreaders—a Brinly-Hardy Company, products employing metal gear systems, pinion and bevel, these metal gears, only, not inclusive of any other parts or materials, are warranted for the life of the spreader, not to be used for replacement or repair past original purchase.

Spyker Spreaders will not be liable for any loss, damage or expense including, but not limited to, consequential or incidental damages, arising from the operation, condition or use of the item. The sole and exclusive remedy against Spyker Spreaders being the replacement of the defective parts. This warranty gives you specific legal rights, and you may also have other rights which vary from state to state.

This express warranty, which is applicable only to the original purchase, is in lieu of and excludes all other warranties, whether expressed or implied by operation of law or otherwise, including any warranty of merchantability or fitness for particular purpose.

**SPYKER SPREADERS
Jeffersonville, IN 47130 USA
Phone: 800.972.6130**