

Travel Pal

Owner's Manual



Pride
Mobility Products Ltd.

Unit 106, Heyford Park Camp Road
Upper Heyford, Oxfordshire OX25 5HA

www.pridemobility.com

SAFETY GUIDELINES

The symbols below are used throughout this owner's manual and on the scooter to identify warnings and important information. It is very important for you to read them and understand them completely.



WARNING! Indicates a potentially hazardous condition/situation that can cause personal injury, equipment and/or property damage.



MANDATORY! These actions should be performed as specified. Failure to perform mandatory actions can cause injury to personnel and/or damage to equipment.



PROHIBITED! These actions are prohibited; do not perform at any time or in any situation. Performing a prohibited action can cause personal injury and/or equipment damage.

Please fill out the following information for quick reference:

Authorised Pride Dealer: _____
Purchase Date: _____
Address: _____
Phone Number: _____
Serial Number: _____

NOTE: This owner's manual is compiled from the latest specifications and product information available at the time of publication. We reserve the right to make changes as they become necessary. Any changes to our products may cause slight variations between the illustrations and explanations in this manual and the product you have purchased.



CONTENTS

I. INTRODUCTION.....	4
II. SAFETY	5
III. SPECIFICATIONS	16
IV. YOUR TRAVEL SCOOTER.....	18
V. BATTERIES AND CHARGING	23
VI. OPERATION.....	28
VII. DISASSEMBLY AND ASSEMBLY	30
VIII. BASIC TROUBLESHOOTING	31
IX. CARE AND MAINTENANCE	34
X. WARRANTY.....	36

I . I N T R O D U C T I O N

SAFETY

Welcome to Pride Mobility Products Ltd. (Pride). The product you have purchased combines state of the art components with **safety**, comfort and styling in mind. We are confident the design features will provide you with the conveniences you expect during your daily activities. Understanding how to **safely** operate and care for this product should bring you years of trouble free operations and service.

Read and follow all instructions, warnings and notes in this manual and all other accompanying literature before attempting to operate this product for the first time. In addition, your **safety** depends upon you, as well as your dealer, carer or healthcare professional in using good judgement.

If there is any information in this manual which you do not understand, or if you require additional assistance for setup or operation, please contact your authorised Pride Dealer. **Failure to follow the instructions, warnings and notes in this manual and those located on your Pride product can result in personal injury or product damage and will void Pride's product warranty.**

PURCHASER'S AGREEMENT

By accepting delivery of this product, you promise that you will not change, alter or modify this product or remove or render inoperable or unsafe any guards, shields or other safety features of this product; fail, refuse or neglect to install any retrofit kits from time to time provided by Pride to enhance or preserve the safe use of this product.

INFORMATION EXCHANGE

We want to hear your questions, comments and suggestions about this manual. We would also like to hear about the safety and reliability of your new Travel Scooter, and about the service you received from your authorised Pride Dealer. Please notify us of any change of address, so we can keep you apprised of important information about safety, new products and new options that can increase your ability to use and enjoy your Travel Scooter. Please feel free to contact us at the address below:

Pride Mobility Products Ltd.
Unit 106, Heyford Park Camp Road
Upper Heyford, Oxfordshire OX25 5HA

NOTE: If you ever lose or misplace your product registration card or your copy of this manual, contact us and we will be glad to send you a new one immediately.

II. SAFETY

PRODUCT SAFETY SYMBOLS

The symbols below are used on the Travel Scooter to identify warnings, mandatory actions and prohibited actions. It is very important for you to read and understand them completely.



Pinch/Crush points created during assembly.



Corrosive chemicals contained in battery. Use only AGM or Gel-Cell batteries to reduce the risk of leakage or explosive conditions.



EMI-RFI - This product has been tested and passed at an immunity level of 20 V/m.



Read and follow the information in the owner's manual.



Maximum weight capacity.



Unlocked and in freewheel mode.

Place unit on level ground and stand to one side when changing from drive mode to freewheel mode or freewheel mode to drive mode.

Locked and in drive mode.

II. SAFETY



Use only AGM or Gel-Cell batteries.



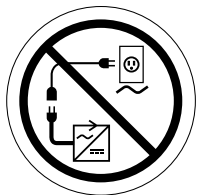
Do not remove anti-tip wheels.



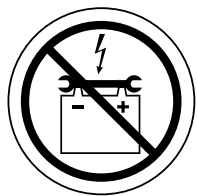
Avoid exposure to rain, snow, ice, salt or standing water whenever possible. Maintain and store in a clean and dry condition.



Removal of grounding prong can create electrical hazard. If necessary, properly install an approved 3-pronged adapter to an electrical outlet having 2-pronged plug access. Failure to heed could result in personal injury and/or property damage.



Prevent personal injury and equipment damage. Do not connect an extension lead to the AC/DC converter or the battery charger.



Contact with tools can cause electrical shock.



Do not use a cell phone, walkie/talkie, laptop or other radio transmitter while operating.

II. SAFETY

GENERAL



MANDATORY! Do not operate your new Travel Scooter for the first time without completely reading and understanding this owner's manual.

Your Travel Scooter is a state-of-the-art life-enhancement device designed to increase mobility. Pride provides an extensive variety of products to best fit the individual needs of the Travel Scooter user. Please be aware that the final selection and purchasing decision regarding the type of Travel Scooter to be used is the responsibility of the Travel Scooter user who is capable of making such a decision and his/her healthcare professional (i.e., medical doctor, physical therapist, etc.).

The contents of this manual are based on the expectation that a mobility device expert has properly fitted the Travel Scooter to the user and has assisted the prescribing healthcare professional and/or the authorised Pride Dealer in the instruction process for the use of the product.

There are certain situations, including some medical conditions, where the Travel Scooter user will need to practice operating the Travel Scooter in the presence of a trained attendant. A trained attendant can be defined as a family member or care professional specially trained in assisting a Travel Scooter user in various daily living activities.

As you begin using your Travel Scooter during daily activities, you will probably encounter situations in which you will need some practice. Simply take your time and you will soon be in full and confident control as you manoeuvre through doorways, on and off lifts, up and down ramps and over moderate terrain.

Below are some precautions, tips and other safety considerations that will help you become accustomed to operating the Travel Scooter safely.

MODIFICATIONS

Pride has designed and engineered your Travel Scooter to provide maximum mobility and utility. Some accessories are available from your authorised Pride Dealer to further customise your Travel Scooter to better suit your needs and/or preferences. However, under no circumstances should you modify, add, remove or disable any feature, part or function of your Travel Scooter.



WARNING! Do not modify your Travel Scooter in any way not authorised by Pride. Unauthorised modifications may result in personal injury and/or damage to your Travel Scooter and may void your warranty.

REMOVABLE PARTS



WARNING! Do not attempt to lift or move your Travel Scooter by any of its removable parts. Personal injury and damage to the Travel Scooter may result.

II. SAFETY

PRE-RIDE SAFETY CHECK

Get to know the feel of your Travel Scooter and its capabilities. Pride recommends that you perform a safety check before each use to make sure your Travel Scooter operates smoothly and safely.

Perform the following inspections prior to using your Travel Scooter:

- Check for proper tyre inflation (if equipped with pneumatic tyres).
- Check the brakes (freewheel lever in drive mode).
- Check battery charge.

If you discover a problem, contact your authorised Pride Dealer for assistance.

WEIGHT LIMITATIONS

Your Travel Scooter is rated for a maximum weight capacity. Refer to the specifications table for this information.



WARNING! Exceeding the weight capacity voids your warranty and may result in personal injury and damage to your Travel Scooter. Pride will not be held responsible for injuries and/or property damage resulting from failure to observe weight limitations.

WARNING! Do not carry passengers on your Travel Scooter. Carrying passengers may result in personal injury and/or property damage.

INCLINE INFORMATION

More and more buildings have ramps with specified degrees of inclination, designed for easy and safe access. Some ramps may have turning switchbacks (180-degree turns) that require you to have good cornering skills on your Travel Scooter.

- Proceed with extreme caution as you approach the downgrade of a ramp or other incline.
- Take wide swings with your Travel Scooter around any tight corners. If you do that, the Travel Scooter's rear wheels will follow a wide arc, not cut the corner short, and not bump into or get hung up on any railing corners.
- When driving down a ramp, keep the Travel Scooter's speed adjustment set to the slowest speed setting to ensure a safely controlled descent.
- Avoid sudden stops and starts.

When climbing an incline, try to keep your Travel Scooter moving. If you must stop, start up again slowly, and then accelerate cautiously. When driving down an incline, do so by setting the speed adjustment dial to the slowest setting and driving in the forward direction only. If your Travel Scooter starts to move down the incline faster than you anticipated or desired, allow it to come to a complete stop by releasing the throttle control lever. Then push the throttle control lever forward slightly to ensure a safely controlled descent.

WARNING! When climbing an incline, do not zigzag or drive at an angle up the face of the incline. Drive your Travel Scooter straight up the incline. This greatly reduces the possibility of a tip or a fall. Always exercise extreme caution when negotiating an incline.



WARNING! Do not drive your Travel Scooter across the side of an incline or diagonally up or down an incline; do not stop, if possible, while driving up or down an incline.

WARNING! You should not travel up or down a potentially hazardous incline (i.e., areas covered with snow, ice, cut grass or wet leaves).

II. SAFETY

WARNING! When on any sort of an incline or decline, never place the Travel Scooter in freewheel mode while seated on it or standing next to it.



WARNING! Even though your Travel Scooter is capable of climbing slopes greater than those illustrated in figure 1, do not, under any circumstances, exceed the incline guidelines or any other specifications presented in this manual. Doing so could cause instability in your Travel Scooter, resulting in personal injury and/or damage to your Travel Scooter.

Handicap public access ramps are not subject to government regulation in all countries, and therefore do not necessarily share the same standard percent of slope. Other inclines may be natural or, if man-made, not designed specifically for Travel Scooters. **Figure 1** illustrates your Travel Scooter's stability and its ability to climb grades under various weight loads and under controlled testing conditions.

These tests were conducted with the Travel Scooter's seat in the highest position and adjusted rearward on the seat base to its farthest rearward position. Use this information as a guideline. Your Travel Scooter's ability to travel up inclines is affected by your weight, your Travel Scooter's speed, your angle of approach to the incline and your Travel Scooter setup.

WARNING! Never fill the front or rear basket with contents exceeding 6.8 kg (15 lbs).



WARNING! Any attempt to climb or descend a slope steeper than what is shown in figure 1 may put your Travel Scooter in an unstable position and cause it to tip, resulting in personal injury.

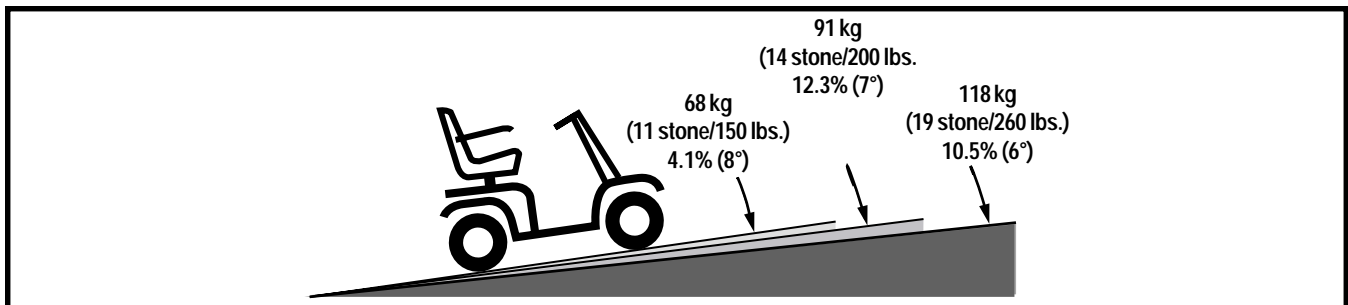


Figure 1. Maximum Recommended Incline Angles

When you approach an incline, it is best to lean forward. **See figures 2 and 2A.** This shifts the centre of gravity of you and your Travel Scooter toward the front of the Travel Scooter for improved stability.

NOTE: When negotiating ramps, if the throttle control lever is released while moving forward, the powered Travel Scooter may roll back approximately 30.5 cm (1 foot) before the brake engages. If the throttle control lever is released while moving in reverse, the powered Travel Scooter may roll back approximately 1 metre (3 feet) before the brake engages.

II. SAFETY

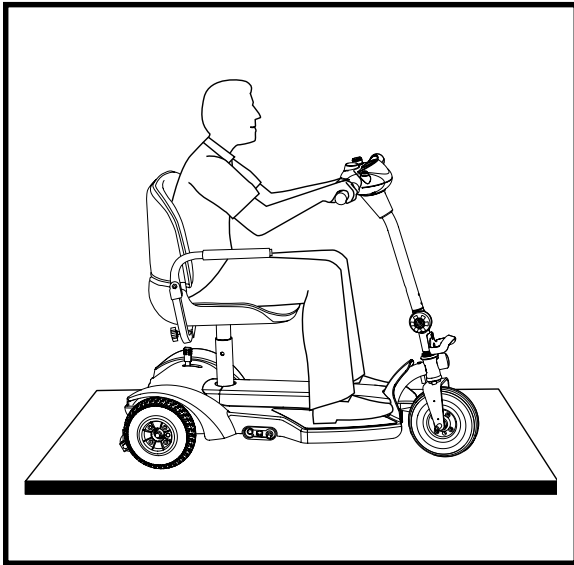


Figure 2. Normal Driving Position

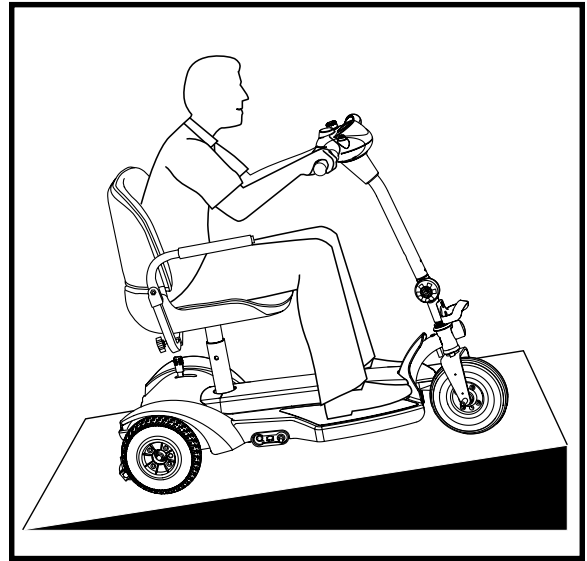


Figure 2A. Increased Stability Driving Position

CORNERING INFORMATION

Excessively high cornering speeds can create the possibility of tipping. Factors which affect the possibility of tipping include, but are not limited to, cornering speed, steering angle (how sharply you are turning), uneven road surfaces, inclined road surfaces, riding from an area of low traction to an area of high traction (such as passing from a grassy area to a paved area – especially at high speed while turning) and abrupt directional changes. High cornering speeds are not recommended. If you feel that you may tip over in a corner, reduce your speed and steering angle (i.e., lessen the sharpness of the turn) to prevent your Travel Scooter from tipping.



WARNING! When cornering sharply, reduce your speed. When using your Travel Scooter at higher speeds, do not corner sharply. This greatly reduces the possibility of a tip or fall. To avoid personal injury or property damage, always exercise common sense when cornering.

BRAKING INFORMATION

Your Travel Scooter is equipped with these powerful brake systems:

- **Regenerative:** Uses electricity to rapidly slow the vehicle when the throttle control lever returns to the centre/stop position.
- **Disc Park Brake:** Activates mechanically after regenerative braking slows the vehicle to near stop, or when power is removed from the system for any reason.

OUTDOOR DRIVING SURFACES

Your Travel Scooter is designed to provide optimum stability under normal driving conditions—dry, level surfaces composed of concrete, blacktop or tarmac. However, Pride recognises that there will be times when you will encounter other surface types. For this reason, your Travel Scooter is designed to perform admirably on packed soil, grass and gravel. Feel free to use your Travel Scooter safely on lawns and in park areas.

- Reduce your Travel Scooter's speed when driving on uneven terrain and/or soft surfaces.
- Avoid tall grass that can become tangled in the running gear or wrapped around the axle.
- Avoid loosely packed gravel and sand.
- If you feel unsure about a driving surface, avoid that surface.

II. SAFETY

PUBLIC STREETS AND ROADWAYS



WARNING! You should not operate your Travel Scooter on public streets and roadways. Be aware that it may be difficult for traffic to see you when you are seated on your Travel Scooter. Obey all local pedestrian traffic rules. Wait until your path is clear of traffic, and then proceed with extreme caution.

STATIONARY OBSTACLES (STEPS, KERBS, ETC.)

WARNING! Do not drive near raised surfaces, unprotected ledges and/or drop-offs (kerbs, porches, stairs, etc.).

WARNING! Do not attempt to have your Travel Scooter climb or descend an obstacle that is inordinately high. Serious personal injury and/or damage may result.



WARNING! Do not attempt to have your Travel Scooter proceed rearward down any step, kerb or other obstacle. This may cause the Travel Scooter to tip and cause personal injury.

WARNING! Be sure your Travel Scooter is traveling perpendicular to any kerb you may be required to ascend or descend. See figures 3 and 3A.

WARNING! Do not attempt to negotiate a kerb that has a height greater than 5 cm (2 in.).

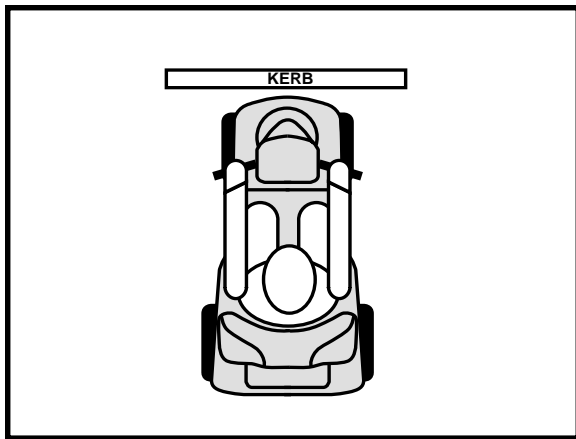


Figure 3. Correct Kerb Approach

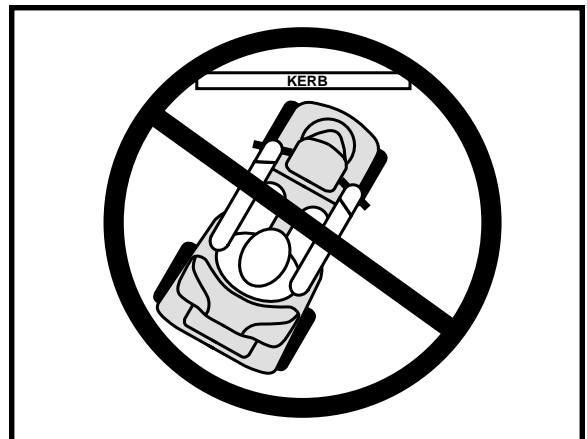


Figure 3A. Incorrect Kerb Approach

INCLEMENT WEATHER PRECAUTIONS

Exposure of your Travel Scooter to inclement weather conditions should be avoided whenever possible. If suddenly caught up in rain, snow, severe cold or heat while operating your Travel Scooter, proceed to shelter at the earliest opportunity. Thoroughly dry your Travel Scooter before storing, charging or operating your Travel Scooter.



WARNING! Operating in rain, snow, salt, mist/spray conditions and on icy/slippery surfaces can cause personal injury and/or damage to the Travel Scooter and electrical system. Maintain and store your Travel Scooter in a dry and clean condition.

II. SAFETY

FREEWHEEL MODE

Your Travel Scooter is equipped with a manual freewheel lever that, when pushed forward, allows the Travel Scooter to be pushed. For more information about how to place your Travel Scooter into and out of freewheel mode, see IV. “Your Travel Scooter.”

WARNING! When your Travel Scooter is in freewheel mode, the braking system is disengaged.

- Disengage the drive motors only on a level surface.
- Ensure the key is removed from the key switch.
- Stand beside the Travel Scooter to engage or disengage freewheel mode. Never sit on a Travel Scooter to do this.
- After you have finished pushing your Travel Scooter, always return it to the drive mode to lock the brakes.



Failure to heed the above could result in personal injury and/or damage to your Travel Scooter.

An added feature built into the Travel Scooter is “**push-too-fast**” protection which safeguards the Travel Scooter against gaining excessive speed while in freewheel mode.

“Push-too-fast” operates differently depending on which of two conditions exists:

- If the key is turned to the “off” position while in freewheel mode, the Travel Scooter’s controller activates regenerative braking when the Travel Scooter is pushed faster than a maximum threshold which has been preprogrammed. In this case, the controller is acting as a speed governor.
- If the key is in the “on” position while in freewheel mode, you will encounter considerable resistance at any speed because the brakes are fully engaged. This prevents the Travel Scooter from gaining unwanted momentum should the manual freewheel lever inadvertently be released while driving the Travel Scooter.

STAIRS AND ESCALATORS

Travel Scooters are not designed to travel up or down stairs or escalators. Always use a lift.



WARNING! Do not use your Travel Scooter to negotiate steps or escalators. You may cause injury to yourself and to others and/or damage your Travel Scooter.

DOORS

- Determine if the door opens toward or away from you.
- Use your hand to turn the knob or push the handle or push-bar.
- Drive your Travel Scooter gently and slowly forward to push the door open, or drive your Travel Scooter gently and slowly rearwards to pull the door open.

LIFTS

Modern lifts have a door edge safety mechanism that, when pushed, reopens the door(s).

- If you are in the doorway of a lift when the door(s) begin to close, push on the rubber door edge or allow the rubber door edge to contact the Travel Scooter and the door will reopen.
- Use care that handbags, packages or Travel Scooter accessories do not become caught in lift doors.

II. SAFETY

LIFT/ELEVATION PRODUCTS

If you will be traveling with your Travel Scooter, you may find it necessary to use a lift/elevation product to aid in transportation. Pride recommends that you closely review the instructions, specifications and safety information set forth by the manufacturer of the lift/elevation product before using that product.



WARNING! Never sit on your Travel Scooter when it is being used in connection with any type of lift/elevation product. Your Travel Scooter was not designed with such use in mind and any damage or injury incurred from such use is no the responsibility of Pride.

BATTERIES

In addition to following the warnings below, be sure to comply with all other battery handling information.

WARNING! Travel Scooter batteries are heavy (refer to specifications table). Lifting weight beyond your capacity could result in personal injury. If necessary, get someone physically able to lift the Travel Scooter batteries for you.



WARNING! Battery posts, terminals, and related accessories contain lead and lead compounds. Wash hands after handling.

WARNING! Always protect the batteries from freezing and never charge a frozen battery. Charging a frozen battery may result in personal injury and/or damage to the battery.

WARNING! RED (+) cables must be connected to positive (+) battery terminals/posts. BLACK (-) cables must be connected to negative (-) battery terminals/posts. Failure to connect your battery cables and harnesses in the proper manner may result in personal injury and/or damage to your Travel Scooter. REPLACE cables immediately if damaged.

BATTERY DISPOSAL AND RECYCLING

If you encounter a damaged or cracked battery, immediately enclose it in a plastic bag and call your authorised Pride Dealer for instructions on disposal. Your authorised Pride Dealer will also have the necessary information on battery recycling, which is our recommended course of action.

MOTOR VEHICLE TRANSPORT

Pride recommends that you do not remain seated in your Travel Scooter while traveling in a motor vehicle. The scooter should be stowed in the boot of a car or in the back of a truck or van with the batteries removed and properly secured.



WARNING! Do not sit on your scooter while it is in a moving vehicle. Personal injury and/or property damage may result.

WARNING! Always be sure your scooter and its batteries are properly secured when it is being transported. Failure to do so may result in personal injury and/or damage to your scooter.

PREVENTING UNINTENDED MOVEMENT



WARNING! If you anticipate being seated in a stationary position for an extended period of time, turn off the power. This will prevent unexpected motion from inadvertent throttle control lever contact. Failure to do so may result in personal injury.

II. SAFETY

GETTING ONTO AND OFF OF YOUR TRAVEL SCOOTER

Getting onto and off of your Travel Scooter requires a good sense of balance. Please observe the following safety tips when getting onto and off of your Travel Scooter:

- Remove the key from the key switch.
- Ensure that your Travel Scooter is not in freewheel mode. See IV. “Your Travel Scooter.”
- Make certain that the seat is locked into place.

WARNING! When driving on level ground, position yourself as far back as possible in the Travel Scooter seat to prevent the Travel Scooter from tipping and causing injury.



WARNING! Avoid using your armrests for weight bearing purposes. Such use may cause the Travel Scooter to tip and cause personal injury.

WARNING! Avoid putting all of your weight on the floorboard. Such use may cause the Travel Scooter to tip and cause personal injury.

REACHING AND BENDING

Avoid reaching or bending while driving your Travel Scooter. Bending forward creates the risk of accidental throttle control lever contact. Bending to the side while seated creates the risk of tipping. It is important to maintain a stable centre of gravity and keep the Travel Scooter from tipping. Pride recommends that the Travel Scooter user determine his/her personal limitations and practice bending and reaching in the presence of a qualified attendant.

WARNING! Do not bend, lean or reach for objects if you have to pick them up from the Travel Scooter deck or from either side of the Travel Scooter. Movements such as these may change your centre of gravity and the weight distribution of the Travel Scooter and cause your Travel Scooter to tip, possibly resulting in personal injury.



WARNING! Prevent personal injury! Keep your hands away from the tyres when driving. Be aware that loose fitting clothing can become caught in drive tyres.

PRESCRIPTION DRUGS/PHYSICAL LIMITATIONS

The Travel Scooter user must exercise care and common sense when operating his/her Travel Scooter. This includes awareness of safety issues when taking prescribed or over-the-counter drugs or when the user has specific physical limitations.



WARNING! Consult your physician if you are taking prescribed or over-the-counter medication or if you have certain physical limitations. Some medications and limitations may impair your ability to operate your Travel Scooter in a safe manner.

ALCOHOL

The Travel Scooter user must exercise care and common sense when operating his/her Travel Scooter. This includes awareness of safety issues while under the influence of alcohol.



WARNING! Do not operate your Travel Scooter while you are under the influence of alcohol, as this may impair your ability to drive safely.

II. SAFETY

ELECTROMAGNETIC AND RADIO FREQUENCY INTERFERENCE (EMI/RFI)



WARNING! Laboratory tests have shown that electromagnetic and radio frequency waves can have an adverse affect on the performance of electrically-powered mobility vehicles.

Electromagnetic and Radio Frequency Interference can come from sources such as cellular phones, mobile two-way radios (such as walkie-talkies), radio stations, TV stations, amateur radio (HAM) transmitters, wireless computer links, microwave signals, paging transmitters and medium-range mobile transceivers used by emergency vehicles. In some cases, these waves can cause unintended movement or damage to the control system. Every electrically-powered mobility vehicle has an immunity (or resistance) to EMI. The higher the immunity level, the greater the protection against EMI. This product has been tested and has passed at an immunity level of 20 V/M.

WARNING! Be aware that cell phones, two-way radios, laptops and other types of radio transmitters may cause unintended movement of your electrically-powered mobility vehicle due to EMI. Exercise caution when using any of these items while operating your mobility vehicle and avoid coming into close proximity of radio and TV stations.



WARNING! The addition of accessories or components to the electrically-powered mobility vehicle can increase the susceptibility of the vehicle to EMI. Do not modify your Travel Scooter in any way not authorised by Pride.

WARNING! The electrically-powered mobility vehicle itself can disturb the performance of other electrical devices located nearby, such as alarm systems.

NOTE: For more information on EMI/RFI, visit the Resource Center on www.pridemobility.com. If unintended motion or brake release occurs, turn your Travel Scooter off as soon as it is safe to do so. Contact your authorised Pride Dealer to report the incident.

III. SPECIFICATIONS

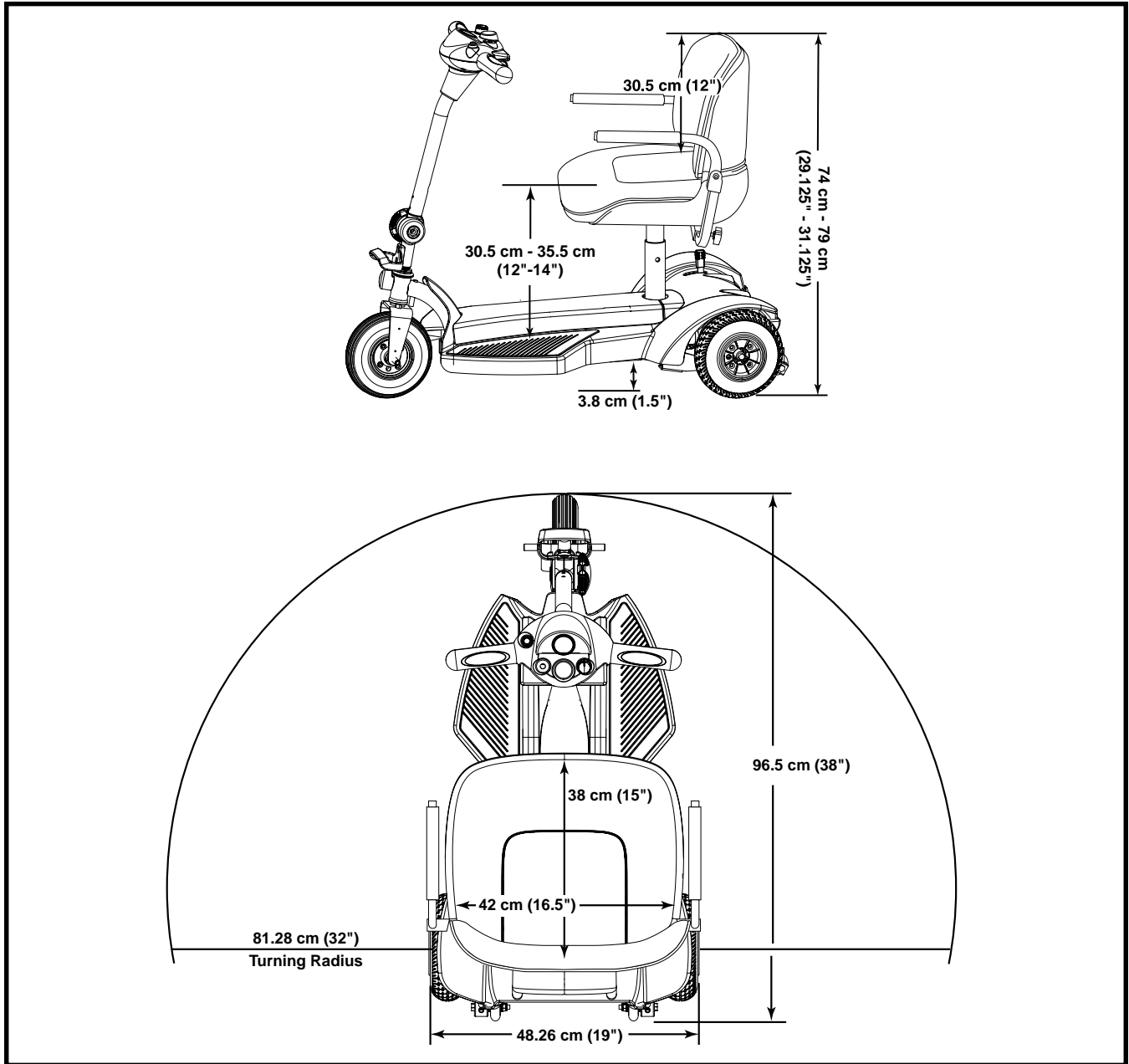


Figure 4. Dimensions

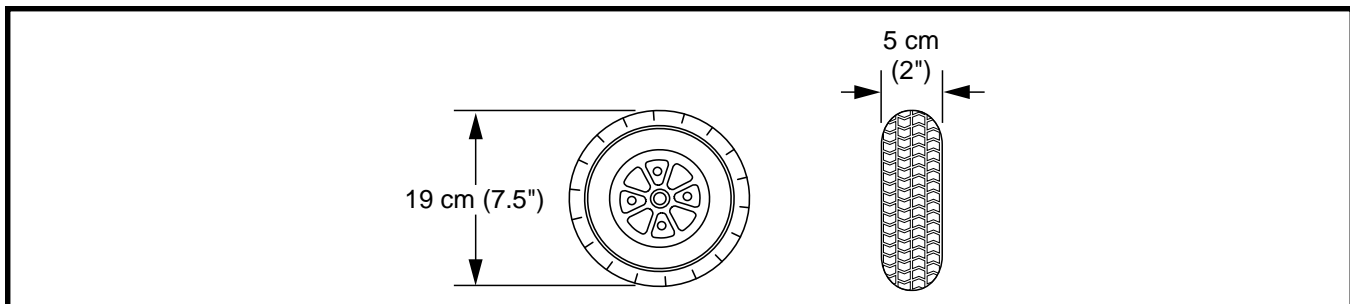


Figure 4A. Front And Rear Tyre Dimensions

III. SPECIFICATIONS

Model Number	SCUK31
Maximum Safe Slope	See figure 1.
Maximum Climbing Ability	See figure 1.
Maximum Obstacle Climbing Ability	5 cm (2 in.)
Overall Length ²	96.5 cm (38 in.)
Overall Width ²	48.26 cm (19 in.)
Heaviest Piece Without Seat	30.6 kg (67.5 lbs.)
Heaviest Piece When Disassembled	Base: 23.36 kg (51.5 lbs.)
Turning Radius ²	81.28 cm (32 in.)
Speed (Maximum)	Variable up to 6.84 km/h (4.25 mph)
Range Per Charge ¹	Up to 16 km (10 miles) with 12 AH batteries
Ground Clearance ²	3.8 cm (1.5 in.)
Weight Capacity	118 kg (19 stone/260 lbs.)
Standard Seating	Type: Foldable vinyl covered moulded foam Dimensions: 42 cm (16.5 in.) width 38 cm (15 in.) depth 30.5 cm (12 in.) height Material: Black Vinyl
Drive System	Rear-wheel drive, sealed mini transaxle, 24 volt DC motor
Dual Braking System	Electronic, regenerative, and electromechanical
Tyres	Type: solid Size: 5 cm x 19 cm (2 in. x 7.5 in.)
Battery Requirements	Type: Two (2) 12-volt, deep-cycle (AGM or Gel-Cell type recommended) Size: 12 AH
Battery Weight	3.8 kg (8.5 lbs.) each
Battery Charger	Off-board battery charger

¹ Varies with user weight, terrain type, battery charge, battery condition, battery amp hour rating (AH) and tyre condition.

² Due to manufacturing tolerances and continual product improvement, this specification can be subject to variance of (+ or -) 3 %.

NOTE: All specifications subject to change without notice.

IV. YOUR TRAVEL SCOOTER

TILLER CONSOLE COMPONENTS

The tiller console houses all controls needed to drive your Travel Scooter, including the key switch, throttle control lever, horn button, speed adjustment dial and the battery condition meter. See figure 5.



WARNING! Do not expose the tiller console to moisture. In the event that the tiller console does become exposed to moisture, do not attempt to operate your Travel Scooter until the tiller console has dried thoroughly.

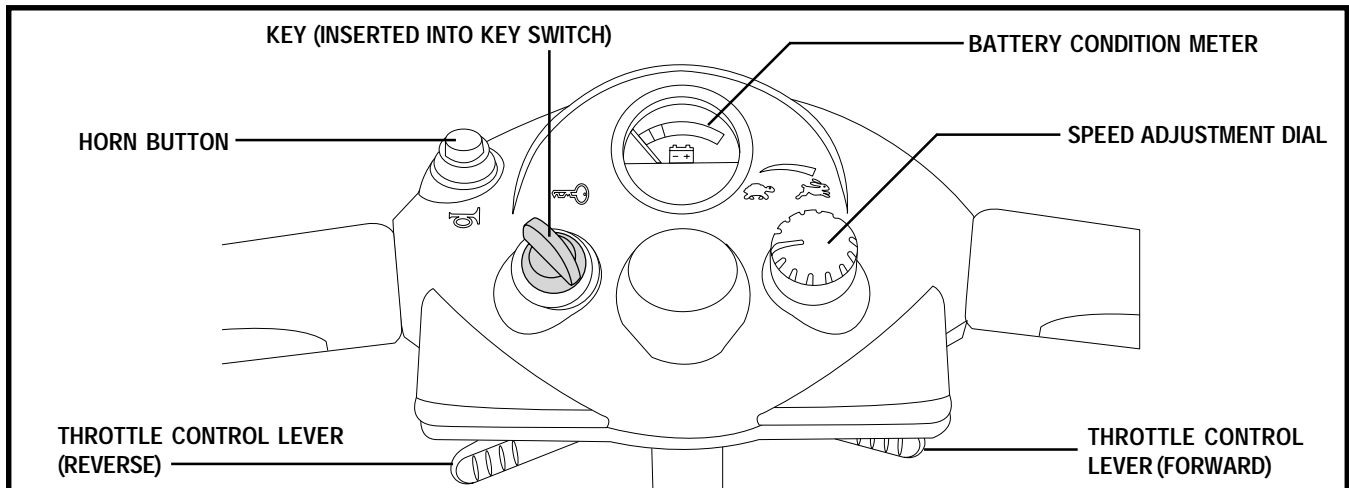


Figure 5. Tiller Console

Key Switch

- Insert the key into the key switch and turn it clockwise to power up (turn on) your Travel Scooter.
- Turn the key anticlockwise to power down (turn off) your Travel Scooter.

Although the key can be left in the key switch when the Travel Scooter is powered down, we recommend removing it to prevent unauthorised use of your Travel Scooter.



WARNING! If the key is moved to the “off” position while your Travel Scooter is in motion, the electronic brakes will engage and your Travel Scooter will come to an abrupt stop!

Throttle Control Lever

This lever allows you to control the forward speed and the reverse speed of your Travel Scooter up to the maximum speed you preset with the speed adjustment dial.

- Place your right hand on the right handgrip and your left hand on the left handgrip.
- Use your right thumb to push the right side of the lever to disengage your Travel Scooter’s brakes and move forward.
- Release the lever and allow your Travel Scooter to come to a complete stop before pushing the other side of the lever to move in reverse.
- When the throttle is completely released, it automatically returns to the centre “stop” position and engages your Travel Scooter’s brakes.

Horn Button

This button activates a warning horn. The Travel Scooter must be “on” for the horn to be operational. Do not hesitate to use the warning horn when doing so may prevent accident or injury.

IV. YOUR TRAVEL SCOOTER

Battery Condition Meter

When the key is fully inserted into the key switch, this meter indicates approximate battery strength. For further information on the battery condition meter, see V. “Batteries and Charging.”

Speed Adjustment Dial

This dial allows you to preselect and limit your Travel Scooter’s top speed.

- The image of the tortoise represents the slowest speed setting.
- The image of the hare represents the fastest speed setting.

LOWER TILLER COMPONENTS

Tiller Adjustment Knob

Your Travel Scooter is equipped with an adjustable pivoting tiller that you can position to maximise your ergonomic comfort.



WARNING! Remove the key from the key switch before adjusting the tiller or the seat. Never attempt to adjust the tiller or the seat while the Travel Scooter is in motion.

To use the tiller adjustment knob:

1. While supporting the tiller, turn the tiller adjustment knob anticlockwise to loosen the tiller. **See figure 6.**
2. Move the tiller to a comfortable position.
3. Turn the tiller adjustment knob clockwise to secure the tiller in position.

NOTE: *In order to lower the tiller to its lowest point, you must first remove the seat.*

Tiller Handle

The tiller handle is located below the tiller adjustment knob (see figure 6) and should be used when lifting the front end of the Travel Scooter during storage or transport. Make sure the tiller lock knob is in the locked position before using the tiller handle to lift the Travel Scooter.

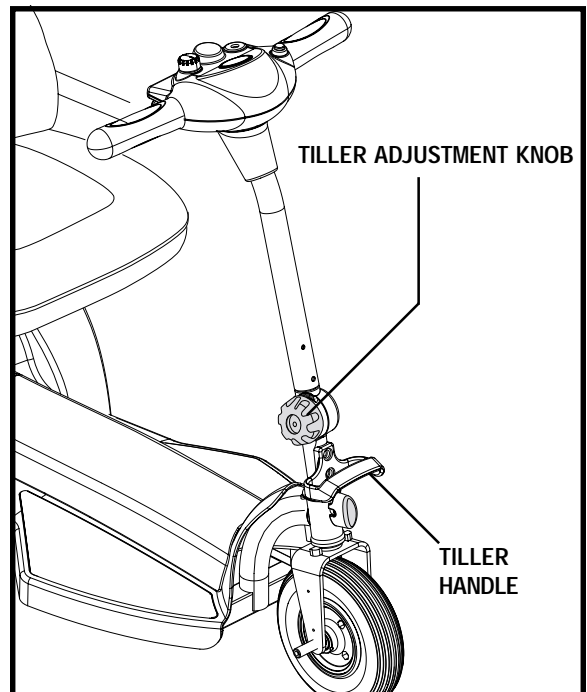


Figure 6. Tiller Adjustment

IV. YOUR TRAVEL SCOOTER

Tiller Lock Knob

The tiller lock knob allows the tiller to be locked in the straight ahead position. Locking the tiller is helpful when transporting the Travel Scooter because it will stabilise the front wheel, keeping the Travel Scooter from moving from side to side.



WARNING! Before getting onto your Travel Scooter, always check that the tiller lock knob is in the unlocked position. See figure 7A. Attempting to ride your Travel Scooter with the tiller lock knob in the locked position can result in personal injury.

From the unlocked position (see **figure 7**), lock the front wheel by pushing the tiller lock knob in and turning it clockwise 90°. See **figure 7A**.

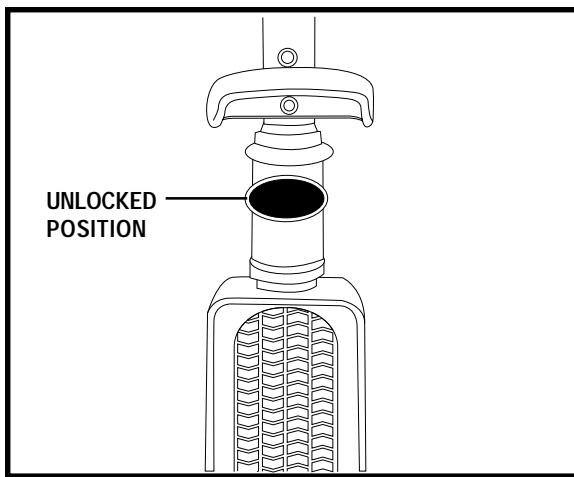


Figure 7. Tiller Lock Knob (Unlocked)

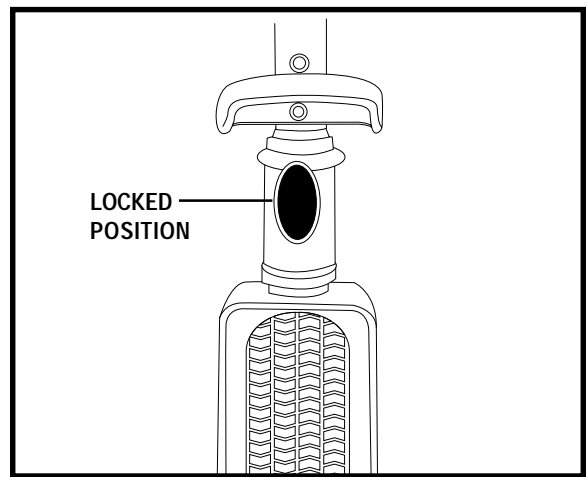


Figure 7A. Tiller Lock Knob (Locked)

SEAT ADJUSTMENTS

To adjust the height of the seat:

1. Remove the seat by lifting it straight up and off of the Travel Scooter.
2. Use the attached ring to pull and remove the detent pin from the lower seat post. See **figure 8**.
3. Raise or lower the upper seat post to the desired seat height.
4. While holding the upper seat post at that height, align the adjustment holes of the upper and lower seat posts.
5. Fully insert the detent pin.
6. Reinstall the seat.

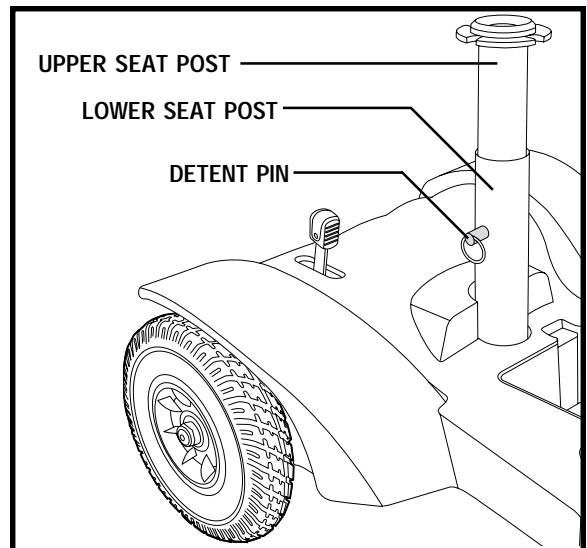


Figure 8. Seat Height Adjustment

IV. YOUR TRAVEL SCOOTER

To adjust the width of the armrests:

1. Loosen the armrest adjustment knobs located at the rear of the seat.
2. Slide the armrests in or out to the desired width.
3. Tighten the armrest adjustment knobs as required.

NOTE: The armrests can also pivot upwards to aid in getting onto and off of the Travel Scooter.

REAR SECTION COMPONENTS

The manual freewheel lever, anti-tip wheels, motor/transaxle assembly and charging system components are located on the rear section of your Travel Scooter. **See figure 9.**

WARNING! Before placing your Travel Scooter into or taking it out of freewheel mode, remove the key from the key switch.



WARNING! Never sit on a Travel Scooter when it is in freewheel mode.

WARNING! Never put a Travel Scooter in freewheel mode on any incline.

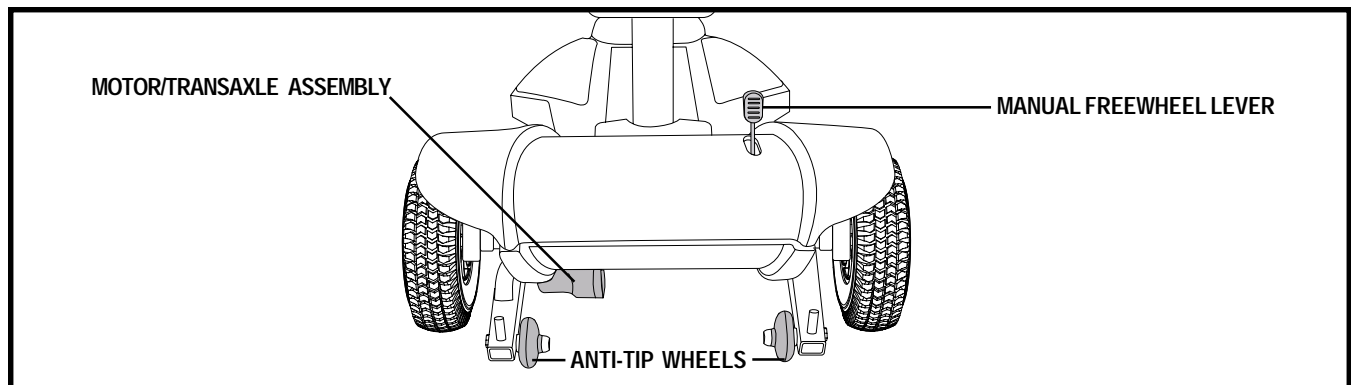


Figure 9. Rear Section

Manual Freewheel Lever

Whenever you need or want to push your Travel Scooter for short distances, you can put it in freewheel mode.

1. Push forward on the manual freewheel lever to disable the drive system and the brake system. You will now be able to push your Travel Scooter.
2. Push the manual freewheel lever rearward to reengage the drive and the brake systems; this takes your Travel Scooter out of freewheel mode.

WARNING! When your Travel Scooter is in freewheel mode, the braking system is disengaged.

- Disengage the drive motors only on a level surface.
- Ensure the key is removed from the key switch.
- Stand beside the Travel Scooter to engage or disengage freewheel mode. Never sit on a Travel Scooter to do this.
- After you have finished pushing your Travel Scooter, always return it to the drive mode to lock the brakes.



Failure to heed the above could result in personal injury and/or damage to your Travel Scooter.

IV. YOUR TRAVEL SCOOTER

Anti-Tip Wheels

The anti-tip wheels are an integral and important safety feature of your Travel Scooter. They are bolted to the frame at the rear of your Travel Scooter.



PROHIBITED! Do not remove the anti-tip wheels or modify your Travel Scooter in any way that is not authorised by Pride.

Motor/Transaxle Assembly

The motor/transaxle assembly is an electromechanical unit that converts electrical energy from your Travel Scooter's batteries into the controlled mechanical energy that drives the Travel Scooter's wheels.

Charger Power Lead Receptacle

The Travel Scooter's 3-pin off-board charger lead plugs into this receptacle. **See figure 10.**

Main Circuit Breaker (Reset Button)

When the voltage in your Travel Scooter's batteries becomes low or the Travel Scooter is heavily strained because of excessive loads or steep inclines, the main circuit breaker may trip to protect the motor and electronics from damage. **See figure 10.**

- The main circuit breaker reset button pops out when the breaker trips.
- When the breaker trips, the entire electrical system of your Travel Scooter shuts down.
- Allow a minute or two for your Travel Scooter's electronics to "rest."
- Push in the reset button to reset the main circuit breaker.
- If the main circuit breaker trips frequently, you may need to charge your batteries more often. You may also need to have your authorised Pride dealer perform a load test on your Travel Scooter's batteries.
- If the main circuit breaker trips repeatedly, see your authorised Pride Dealer for service.

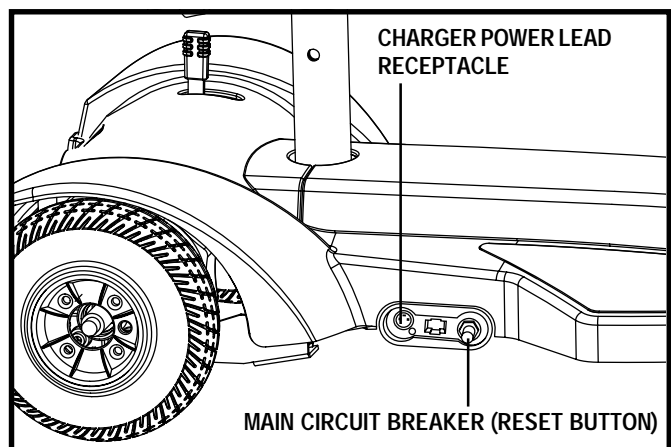


Figure 10. Charging System Components

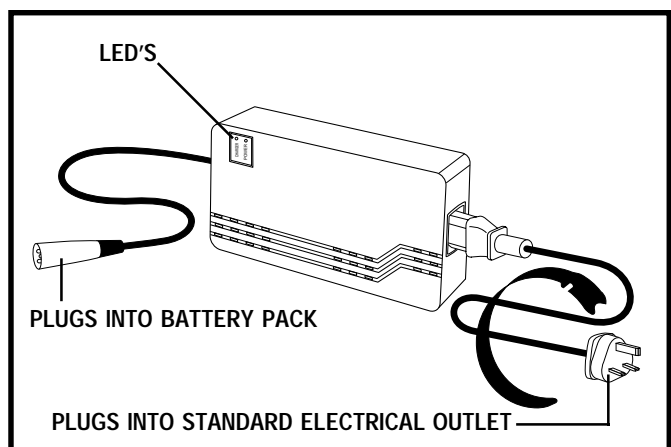


Figure 11. Off-board Battery Charger

OFF-BOARD BATTERY CHARGER

The off-board battery charger, when plugged into the charger power lead receptacle and a standard electrical outlet, charges the Travel Scooter's batteries. **See figure 11.**

The LED lights on the charger indicate different charger conditions at various times. Refer to the charger owner's manual enclosed with the charger for a complete explanation of these indicators.

V. BATTERIES AND CHARGING

Your Travel Scooter is equipped with two sealed, maintenance free, 12 AH batteries. Fully charge the batteries prior to using your Travel Scooter for the first time. Keeping the batteries fully charged will keep your Travel Scooter running smoothly.

READING YOUR BATTERY VOLTAGE

The battery condition meter on the tiller console uses a colour code to indicate the approximate strength of your batteries. From right to left, green indicates fully charged batteries, yellow a draining charge and red indicates that an immediate recharge is necessary. **See figure 12.** To ensure the highest accuracy, the battery condition meter should be checked while operating your Travel Scooter at full speed on a dry, level surface.

To check the battery strength during charging, you must first unplug the charger power lead and turn on your Travel Scooter

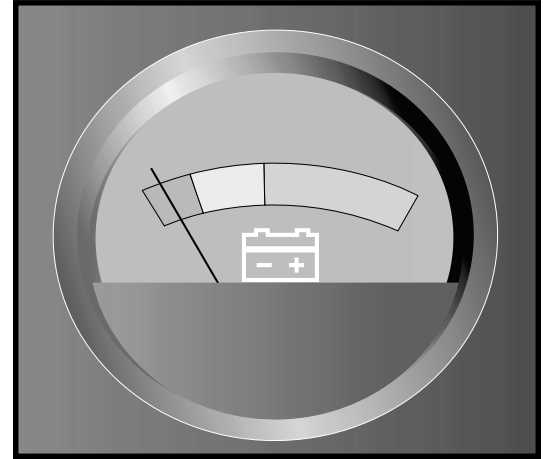


Figure 12. Battery Condition Meter

CHARGING THE BATTERIES



PROHIBITED! Never use an extension lead to plug in your battery charger. Plug the charger directly into a properly wired standard electrical outlet.



PROHIBITED! Removal of the grounding prong can create an electrical hazard. If necessary, properly install an approved 3-pronged adapter to an electrical outlet having 2-pronged plug access. Failure to heed could result in personal injury and/or property damage.

WARNING! Prevent injury and/or equipment damage! Do not use batteries that exceed the recommended type and amp-hour capacity. Do not use batteries with different amp-hour capacities. Refer to specifications table in this manual and in the manual supplied with the battery charger for recommended type and capacities.

WARNING! Prevent injury and/or equipment damage! Read the battery charging instructions in this manual and in the manual supplied with the battery charger before charging the batteries.

WARNING! Prevent injury and/or equipment damage! Do not expose the off-board battery charger to rain or other sources of moisture unless it has been tested for outdoor use. Refer to the manual supplied with the battery charger for more information.



WARNING! Prevent injury and/or equipment damage! Explosive gases may be generated while charging the batteries. Keep the Travel Scooter and the battery charger away from sources of ignition such as flames or sparks and provide adequate ventilation when charging the batteries.

WARNING! Prevent injury and/or equipment damage! Inspect the battery charger, wiring, and connectors for damage before each use. Contact your authorised Pride Dealer if damage is found.

WARNING! Prevent injury and/or equipment damage! Do not attempt to open the battery charger case. If the battery charger does not appear to be working correctly, contact Your authorised Pride Dealer.

WARNING! Prevent injury and/or equipment damage! If the off-board battery charger is equipped with cooling slots, then do not attempt to insert objects through these slots.

V. BATTERIES AND CHARGING

WARNING! Prevent injury and/or equipment damage! Do not allow unsupervised children to play near the Travel Scooter while the batteries are charging.



WARNING! Prevent injury and/or equipment damage! If your off-board battery charger has not been tested and approved for outdoor use, then do not expose it to adverse or extreme weather conditions. If the battery charger is exposed to adverse or extreme weather conditions, then it must be allowed to adjust to the difference in environmental conditions before use indoors. Refer to the manual supplied with the battery charger for more information.

Follow these easy steps to charge your batteries safely:

1. Position your Travel Scooter close to a standard electrical outlet. **See figure 13.**
2. Remove the key from the key switch.
3. Make certain that the manual freewheel lever is in drive mode.
4. Remove the charger power lead receptacle cover from the charger power lead receptacle and plug the 3-pin off-board charger power lead into the receptacle.
5. Extend the charger power lead from the off-board battery charger and plug it into the electrical outlet. It is recommended that you charge your batteries for 8 to 14 hours.
6. When the batteries are fully charged, unplug the off-board charger power lead from the electrical outlet and then from the charger power lead receptacle.
7. Replace the charger power lead receptacle cover.

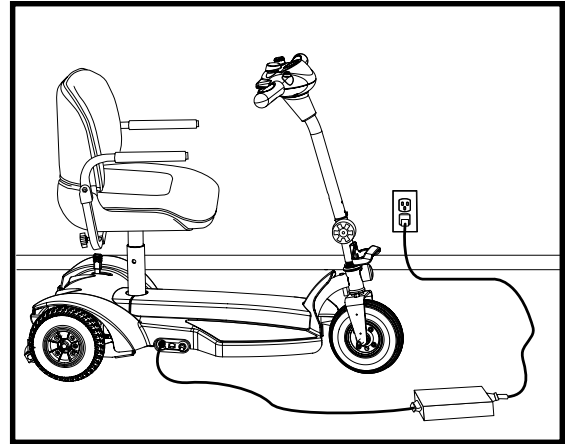


Figure 13. Charging The Batteries

NOTE: *There is a charger inhibit function on your Travel Scooter. The Travel Scooter will not run and the battery condition meter will not operate if the charger power lead is not disconnected from the Travel Scooter.*

NOTE: *For more information on battery charging, refer to the operation manual supplied with your battery charger.*

REPLACING YOUR TRAVEL SCOOTER'S BATTERIES

If for any reason you do not feel capable or confident in performing the steps below, do not attempt to replace your batteries. Contact your authorised Pride Dealer for service instead.

To ensure complete compatibility and optimal performance, Pride recommends using original equipment replacement batteries obtainable from your authorised Pride Dealer.

WARNING! Battery posts, terminals, and related accessories contain lead and lead compounds. Wash hands after handling.



WARNING! Prevent injury and/or equipment damage! Do not mix or match new and old batteries. If you encounter a situation where one battery needs to be replaced, then replace both batteries. Refer to specifications table in this manual and the manual supplied with the battery charger for recommended type and capacities.

V. BATTERIES AND CHARGING

Battery Removal

1. Remove key from key switch.
2. Remove the seat by pulling it straight up and off of the Travel Scooter.
3. Remove the detent pin and upper seat post. **See figure 14.**
4. Position the Travel Scooter in a way that allows access to the underside of the Travel Scooter and remove the four (4) screws that secure the plastic shroud to the frame. **See figure 15.**
5. Return the Travel Scooter to an upright position.
6. Remove the shroud and set it out of the way.
7. Disconnect the red (+) positive and black (-) negative battery cables from the battery by pulling them straight away from the battery terminal. **See figure 16.**
8. Loosen the battery straps and remove the battery or batteries to be replaced.

Battery Replacement

1. Put the new battery or batteries back onto the Travel Scooter (battery terminals up) and secure the battery straps.
2. Reconnect the two (2) battery cables to the battery terminals.
 - Red cable to (+) positive terminal.
 - Black cable to (-) negative terminal.
3. Reinstall the shroud back onto the Travel Scooter frame.
4. Replace and tighten the screws that secure the shroud to the frame.
5. Reinstall the upper seat post and detent pin.
6. Reinstall the seat.

NOTE: If you encounter a damaged or cracked battery, immediately enclose it in a plastic bag and call your authorised Pride Dealer for instructions on disposal. Your authorised Pride Dealer will also have the necessary information on battery recycling, which is our recommended course of action.

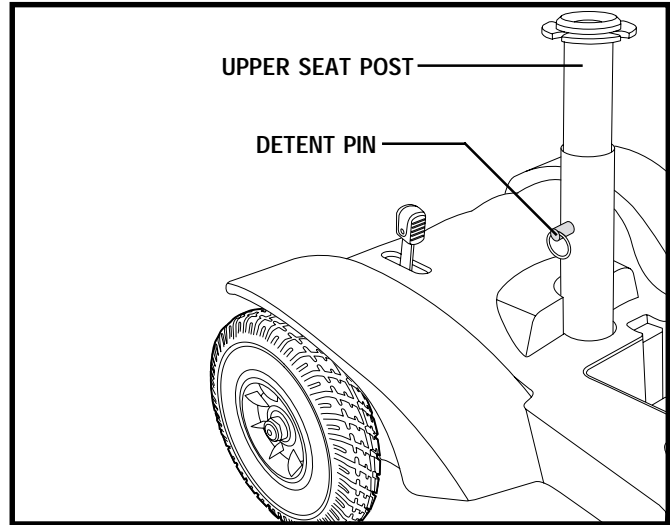


Figure 14. Seat Post Removal

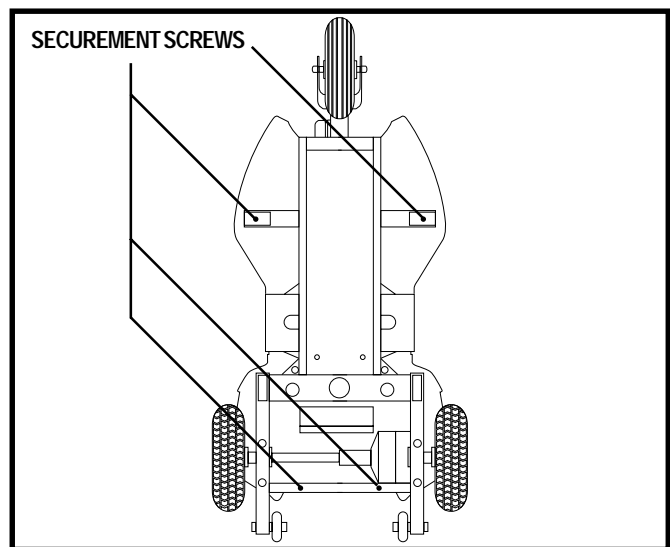


Figure 15. Shroud Securement Screws

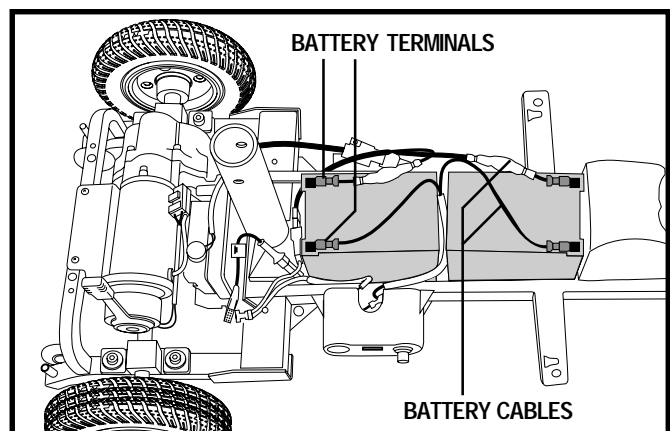


Figure 16. Battery Terminal Connections

V. BATTERIES AND CHARGING

FREQUENTLY ASKED QUESTIONS

How does the charger work?

When your Travel Scooter's battery voltage is low, the charger works harder, sending more electrical current to the batteries to bring up their charge. As the voltage approaches full charge, the charger sends less and less electrical current to the batteries. When the batteries are fully charged, the current sent by the charger is at nearly zero amperage. Therefore, when the charger is plugged in, it maintains the charge on your Travel Scooter's batteries, but does not overcharge them. We do not recommend that you charge your Travel Scooter's batteries for more than 24 consecutive hours.

What if my Travel Scooter's batteries won't charge?

Ensure that both ends of the charger power lead are inserted fully.

How often must I charge the batteries?

Two major factors must be considered when deciding how often to charge your Travel Scooter's batteries:

- All day Travel Scooter use on a daily basis.
- Infrequent or sporadic Travel Scooter use.

With these considerations in mind, you can determine how often and for how long you should charge your Travel Scooter's batteries. We designed the off-board charger so that it will not overcharge your Travel Scooter's batteries. However, you may encounter some problems if you do not charge your batteries often enough and if you do not charge them on a regular basis. Following the guidelines below will provide safe and reliable battery operation and charging.

- If you use your Travel Scooter daily, charge its batteries as soon as you finish using it for the day. Your Travel Scooter will be ready each morning to give you a full day of service. We recommend that you charge your Travel Scooter's batteries for 8 to 14 hours after daily use.
- If you use your Travel Scooter once a week or less, charge its batteries at least once a week for 12 to 14 hours at a time.
- Keep your Travel Scooter's batteries fully charged.
- Avoid deeply discharging your Travel Scooter's batteries.
- Do not charge your Travel Scooter's batteries for more than 24 consecutive hours.

How can I get maximum range or distance per charge?

Rarely will you have ideal driving conditions—smooth, flat, hard driving surfaces with no wind or curves. Often you will face hills, pavement cracks, uneven and loosely packed surfaces, curves and wind, all of which affect the distance or running time per battery charge. Below are a few suggestions for obtaining the maximum range per battery charge.

- Fully charge your Travel Scooter's batteries prior to use.
- Plan your route to avoid as many hills, cracked, broken, or soft surfaces as possible.
- Limit your baggage weight to essential items.
- Try to maintain an even speed while your Travel Scooter is in motion.
- Avoid stop-and-go driving.

What type and size battery should I use?

Your Travel Scooter comes equipped with two deep-cycle batteries that are sealed and maintenance free. Both AGM and Gel-Cell are deep-cycle batteries that are similar in performance. Do not use wet-cell batteries, which have removable caps.

V. BATTERIES AND CHARGING



WARNING! Corrosive chemicals are contained in batteries. Use only AGM or Gel-Cell batteries to reduce the risk of leakage or explosive conditions.

Why do my new batteries seem weak?

Deep-cycle batteries employ a different chemical technology than that used in car batteries, nickel-cadmium batteries (nicads), or in other common battery types. Deep-cycle batteries are specifically designed to provide power, drain down their charge and then accept a relatively quick recharge.

We work closely with our battery manufacturer to provide batteries that best suit your Travel Scooter's specific electrical demands. Fresh batteries arrive daily and are shipped fully charged with the Travel Scooter. During shipping, the batteries may encounter temperature extremes that may influence their initial performance. Heat diminishes the charge on the battery; cold slows the available power and extends the time needed to recharge the battery.



WARNING! If your Travel Scooter's batteries become frozen, do not attempt to charge them. Cold or frozen batteries should be allowed to warm up for several days prior to recharging.

It may take a few days for the temperature of your Travel Scooter's batteries to stabilise and adjust to their new room or ambient temperature. It takes a few charging cycles (partial draining followed by full recharging) to establish the critical chemical balance that is essential to a deep-cycle battery's peak performance and long life.

Follow these steps to properly break-in your Travel Scooter's new batteries for maximum efficiency and service life.

1. Fully recharge any new battery prior to its initial use. This charging cycle brings the battery up to about 88% of its peak performance level.
2. Operate your new Travel Scooter in familiar and safe areas. Drive slowly at first, and do not travel too far from your home or familiar surroundings until you have become accustomed to your Travel Scooter's controls.
3. Fully recharge the batteries. They should be at over 90% of their peak performance level.
4. Operate your Travel Scooter again.
5. Fully recharge the batteries again.
6. After four or five charging cycles, the batteries are able to receive a charge of 100% of their peak performance level and are able to last for an extended period of time.

How can I ensure maximum battery life?

Fully charged deep-cycle batteries provide reliable performance and extended battery life. Keep your Travel Scooter's batteries fully charged whenever possible. Protect your Travel Scooter and batteries from extreme heat or cold. Batteries that are regularly and deeply discharged, infrequently charged, stored in extreme temperatures, or stored without a full charge may be permanently damaged, causing unreliable performance and limited service life.

What about public transportation?

If you intend to use public transportation with your Travel Scooter, you must contact the transportation provider in advance to determine their specific requirements.

V I . O P E R A T I O N

BEFORE GETTING ON YOUR TRAVEL SCOOTER

- Have you fully charged the batteries? See V. “Batteries and Charging.”
- Is the manual freewheel lever in the drive (rearward) position? Never leave the manual freewheel lever pushed forward unless you are manually pushing your Travel Scooter.
- Is the tiller lock knob in the unlocked position? **See figures 7 and 7A.**

GETTING ONTO YOUR TRAVEL SCOOTER



WARNING! Never attempt to get onto or off of your Travel Scooter without first removing the key from the key switch. This will prevent the Travel Scooter from moving if accidental throttle control lever contact is made.

1. Make certain that the key is removed from the key switch.
2. Disengage the seat rotation lever and rotate the seat so it faces you. **See figure 17.**
3. Position yourself comfortably and securely in the seat and rotate the seat forward.
4. Make certain that the seat is locked securely in position.
5. Make certain that your feet are safely on the floorboard.

PRE-RIDE ADJUSTMENTS AND CHECKS

- Are you positioned comfortably in the seat?
- Is the seat at the proper height?
- Is the seat securely in place?
- Is the tiller at a comfortable driving position and locked securely in place?
- Is the tiller lock knob in the unlocked position?
- Is the key in the “on” position? See IV. “Your Travel Scooter.”
- Does the Travel Scooter’s horn work properly?
- Is your proposed path clear of people, pets and obstacles?
- Have you planned your route to avoid adverse terrain and as many inclines as possible?

OPERATING YOUR TRAVEL SCOOTER



WARNING! The following can adversely affect steering and stability while operating your Travel Scooter:

- Holding onto or attaching a leash to walk your pet.
- Carrying passengers (including pets).
- Hanging any article from the tiller.
- Towing or being pushed by another motorised vehicle.

Such practices could cause loss of control and/or tipping, resulting in personal injury and/or damage to your Travel Scooter.

Keep both hands on the tiller and your feet on the floorboard at all times while operating your Travel Scooter. This driving position gives you the most control over your vehicle.

- Set the speed adjustment dial to your desired speed.
- Press your thumb against the appropriate side of the throttle control lever.
- The electromechanical disc park brake automatically disengages and the Travel Scooter accelerates smoothly to the speed you preselected with the speed adjustment dial.
- Pull on the left handgrip to steer your Travel Scooter to the left.

V I . O P E R A T I O N

- Pull on the right handgrip to steer your Travel Scooter to the right.
- Move the tiller to the centre position to drive straight ahead.
- Release the throttle control lever to decelerate and come to a complete stop.
- The electromechanical disc park brake automatically engages when your Travel Scooter comes to a stop.

NOTE: Your Travel Scooter's reverse speed is slower than that of the forward speed you preset with the speed adjustment dial.

GETTING OFF OF YOUR TRAVEL SCOOTER

1. Bring your Travel Scooter to a complete stop.
2. Remove the key from the key switch.
3. Rotate the seat to either side of the Travel Scooter and carefully and safely get out of the seat.

VII. DISASSEMBLY AND ASSEMBLY

DISASSEMBLY

No tools are required to disassemble or assemble your Travel Scooter. Always disassemble or assemble your Travel Scooter on a level, dry surface with sufficient room for you to work. Keep in mind that the disassembled sections of a Travel Scooter take up more floor space than the assembled Travel Scooter.

You can disassemble the Travel Scooter into two pieces: the seat and the main frame. **See figure 17.**

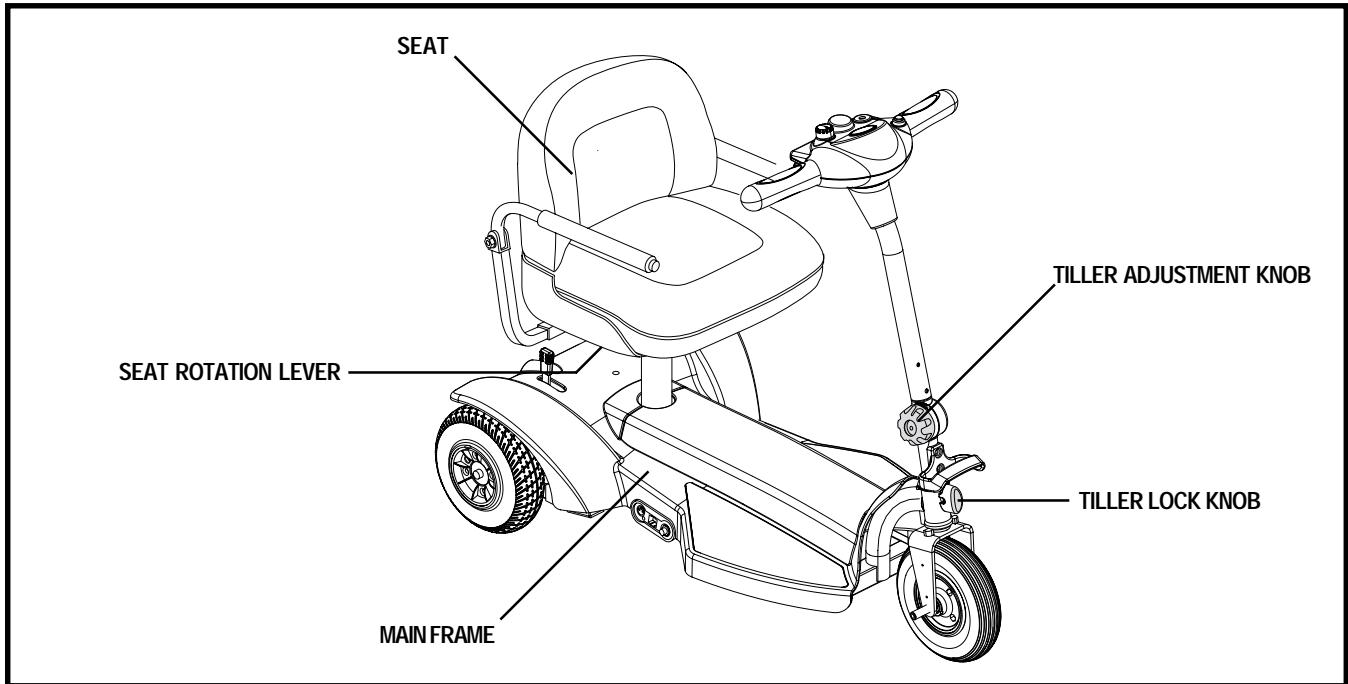


Figure 17. Travel Scooter Components

To disassemble the Travel Scooter:

1. Turn the tiller lock knob to its locked position. See IV. “Your Travel Scooter.”
2. Remove the seat by lifting it straight up and off of the Travel Scooter.
3. Loosen the tiller adjustment knob and lower the tiller to its lowest point, then tighten the tiller adjustment knob.

ASSEMBLY

To assemble the Travel Scooter:

1. Loosen the tiller adjustment knob, raise the tiller to its desired position and retighten the tiller adjustment knob.
2. Turn the tiller lock knob to its UNLOCKED position. **See figure 7.**
3. Install the seat.

VIII. BASIC TROUBLESHOOTING

Any electromechanical device requires occasional troubleshooting. However, most problems that arise can usually be solved with a bit of thought and common sense. Many of these problems occur because the batteries are not fully charged or because the batteries are worn down and can no longer hold a charge.

DIAGNOSTIC BEEP CODES

The diagnostic beep codes for your Travel Scooter are designed to help you perform basic troubleshooting quickly and easily. A diagnostic beep code will sound in the event one of the conditions listed below develops.

NOTE: Your Travel Scooter will not run unless the beep code condition is resolved and the Travel Scooter has been turned off, then turned back on.

BEEP CODE	POSSIBLE CONDITIONS	SOLUTION
1,1	<ol style="list-style-type: none"> 1. Temperature >92°C or < -25°C. 2. Excessive load on vehicle. 3. Operation in extreme environments. 4. Electromagnetic brake not releasing. 	Let your Travel Scooter cool or move it to a warmer place. If necessary, push the main circuit breaker reset button.
1,2	<ol style="list-style-type: none"> 1. Throttle input wire open or shorted. 2. Throttle pot defective. 3. Wrong throttle type selected. 	Contact your authorised Pride Dealer.
1,4	<ol style="list-style-type: none"> 1. Battery voltage <16 volts. 2. Bad connection at battery or controller. 	Charge batteries and/or check connections.
1,5	<ol style="list-style-type: none"> 1. Battery voltage >32 volts. 2. Vehicle operating with charger attached. 3. Intermittent battery connection. 	<p>Disconnect charger.</p> <p>Check battery connections.</p>
2,1	<ol style="list-style-type: none"> 1. Main contactor driver failed open. 	Contact your authorised Pride Dealer.
2,3	<ol style="list-style-type: none"> 1. Main contactor welded or stuck open. 2. Main contactor driver fault. 3. Brake coil resistance too high. 	Contact your authorised Pride Dealer.
2,4	<ol style="list-style-type: none"> 1. Main contactor driver failed closed. 	Contact your authorised Pride Dealer.
3,1	<ol style="list-style-type: none"> 1. Misadjusted throttle. 2. Broken throttle pot or throttle mechanism. 	Contact your authorised Pride Dealer.
3,2	<ol style="list-style-type: none"> 1. Electromagnetic brake driver shorted. 2. Electromagnetic brake coil open. 	Turn key to off position, then push freewheel lever to drive mode and restart Travel Scooter.

VIII. BASIC TROUBLESHOOTING

BEEP CODE	POSSIBLE CONDITIONS	SOLUTION
3,3	1. Low battery voltage. 2. KSI and throttle turned on at same time.	Charge batteries. Restart the Travel Scooter with out touching the throttle control lever.
3,4	1. Electromagnetic brake driver open. 2. Electromagnetic brake coil shorted.	Contact your authorised Pride Dealer.
3,5	1. Improper sequence of throttle and KSI, or throttle and inhibit inputs. 2. Misadjusted throttle pot.	Turn key to the off position, then back to the on position.
4,1	1. Short in motor or in motor wiring. 2. Controller failure.	Contact your authorised Pride Dealer.
4,2	1. Motor voltage does not correspond to failsafe throttle request. 2. Short in motor or in motor wiring. 3. Controller failure.	Contact your authorised Pride Dealer.
4,3	1. EEPROM failure or fault.	Contact your authorised Pride Dealer.
4,4	1. EEPROM failure or fault. 2. Short in motor or in motor wiring.	Contact your authorised Pride Dealer.

What if the motor runs but my Travel Scooter does not move?

- Your Travel Scooter was probably left in freewheel mode.
- When the manual freewheel lever is pushed forward, the brakes are disengaged and all power to the motor/transaxle is cut.
- Pull the manual freewheel lever rearward to restore normal operation to your Travel Scooter.

What if the main circuit breaker trips repeatedly?

- Charge the Travel Scooter's batteries more frequently. See V. "Batteries and Charging."
- See V. "Batteries and Charging" or III. "Specifications" for information about your Travel Scooter's battery type.
- If the main circuit breaker trips repeatedly, contact your authorised Pride Dealer for service.

What if the battery condition meter dips way down and the motor surges or hesitates when I press the throttle control lever?

- Fully charge your Travel Scooter's batteries. See V. "Batteries and Charging."
- Have your authorised Pride Dealer load test each battery.

VIII. BASIC TROUBLESHOOTING

What if all the systems on my Travel Scooter seem to be “dead”?

- Make certain that the key is in the “on” position.
- Check that the batteries are fully charged. See V. “Batteries and Charging.”
- Push in the main circuit breaker reset button. See IV. “Your Travel Scooter.”
- Be sure the power down timer feature has not been activated. See below.
- If having changed a battery recently, ensure all the battery connections secure.

POWER DOWN TIMER FEATURE

Your Travel Scooter is equipped with an energy saving automatic power down timer feature designed to preserve your Travel Scooter’s battery life. If you mistakenly leave the key in the “on” position but do not use your Travel Scooter for approximately 20 minutes, the Travel Scooter’s controller shuts down automatically.

If the power down timer feature takes effect, perform the following steps to resume normal operation.

1. Remove the key from the key switch.
2. Insert the key back into the key switch.

If you experience any problems with your Travel Scooter that you are not able to solve, contact your authorised Pride Dealer for information on maintenance and service.

IX . C A R E A N D M A I N T E N A N C E

Your Travel Scooter requires a minimal amount of care and maintenance. If you do not feel confident in your ability to perform the maintenance listed below, you may schedule inspection and maintenance with your authorised Pride Dealer. The following areas require periodic inspection and/or care and maintenance.

TYRE CONDITION AND TREAD WEAR

- Regularly inspect your Travel Scooter's tyres for signs of wear.
- Use a rubber conditioner on your Travel Scooter's tyre sidewalls to help to preserve them.



WARNING! Do not apply rubber conditioner on tyre tread; this may cause the tyres to become dangerously slippery.

WHEEL REPLACEMENT

If your Travel Scooter is equipped with a solid tyre insert, either the solid insert or the entire wheel must be replaced depending on model. Contact your authorised Pride Dealer for information regarding replacement wheels for your Travel Scooter.



WARNING! Prevent personal injury! Completely deflate pneumatic tires before dismantling the rim or attempting repair.

WARNING! When changing a tyre, remove only the centre lug nut, then remove the tyre. If any further disassembly is required, deflate the tyre completely or it may explode, possibly resulting in personal injury.

NYLON LOCK NUT REPLACEMENT

Any nylon insert lock nut removed during the periodic maintenance, assembly or disassembly of the Travel Scooter must be replaced with a new nut. Nylon insert lock nuts should not be reused as it may cause damage to the nylon insert, resulting in a less secure fit. Replacement nylon insert lock nuts are available at local hardware stores or through your authorised Pride Dealer.

EXTERIOR SURFACES

- Bumpers and trim benefit from an occasional application of rubber or vinyl conditioner.



WARNING! Do not apply a rubber or vinyl conditioner on a Travel Scooter's vinyl seat or floorboard mats; they will become dangerously slippery.

- The Travel Scooter shroud is made from durable ABS plastic and coated with an advanced formula urethane paint.
- A light application of car wax will help the shroud retain its high gloss.

CLEANING AND DISINFECTION

- Use a damp cloth and mild, non-abrasive cleanser to clean the plastic and metal parts of your scooter. Avoid using products that may scratch the surface of your scooter.
- If necessary, clean your product with an approved disinfectant. Make sure the disinfectant is safe for use on your product before application.



WARNING! Prevent personal injury and product damage! Follow all safety instructions for the proper use of the disinfectant before applying it to your product.

IX . C A R E A N D M A I N T E N A N C E

AXLE BEARINGS AND THE MOTOR/TRANSAXLE ASSEMBLY

These items are all prelubricated, sealed and require no subsequent lubrication.

CONSOLE, CHARGER AND ELECTRONICS

- Keep these areas free of moisture.
- If any of these items do become exposed to moisture, let them dry thoroughly before operating your Travel Scooter again.

STORAGE

If you plan on not using your Travel Scooter for an extended period of time, it is best to:

- Fully charge its batteries prior to storage.
- Store your Travel Scooter in a warm, dry environment.
- Avoid storing your Travel Scooter where it will be exposed to temperature extremes.



WARNING! Always protect batteries from freezing temperatures and never charge a frozen battery. This damages the battery and can cause personal injury.

For prolonged storage, you may wish to place several boards under the frame of your Travel Scooter to raise it off of the ground. This takes the weight off the tyres and reduces the possibility of flat spots developing on the areas of the tyres contacting the ground.

DISPOSAL OF YOUR SCOOTER

Your Travel Scooter must be disposed of according to applicable local and national statutory regulations. Contact your local waste disposal agency or authorised Pride Dealer for information on proper disposal of packaging, metal frame components, plastic components, electronics and batteries.

X . W A R R A N T Y

LIFETIME WARRANTY

Structural frame components, including: platform, fork, seat post and frame welds.

TWO-YEAR LIMITED WARRANTY

Drivetrain, including: transaxle, motor and brake.

ONE-YEAR LIMITED WARRANTY

All electrical parts, including controllers and battery chargers, are covered for one year under warranty. Any attempt to open or dismantle these parts will lead to this warranty being void.

BATTERIES

Batteries are covered by a twelve-month warranty from the original manufacturer.

NOT COVERED UNDER WARRANTY

The following are classed as wear items, which may, under normal wear and tear, require replacing. These items are not therefore covered under warranty: tyres, lap belts, bulbs, upholstery, plastic shrouds, motor brushes and fuses. Warranty will also be refused if damage is deemed to have been caused through misuse or accident for which Pride Mobility Products Ltd. cannot be deemed responsible.

NOTE: Pride Mobility Products Ltd. provides parts only under warranty. Your Pride Dealer is responsible for labour and service. Please contact your Pride Dealer for information about these services and for any applicable charges.

NOTES

NOTES



Pride
Mobility Products Ltd.

**Unit 106, Heyford Park Camp Road
Upper Heyford, Oxfordshire OX25 5HA**

www.pridemobility.com

I NFMANU3315