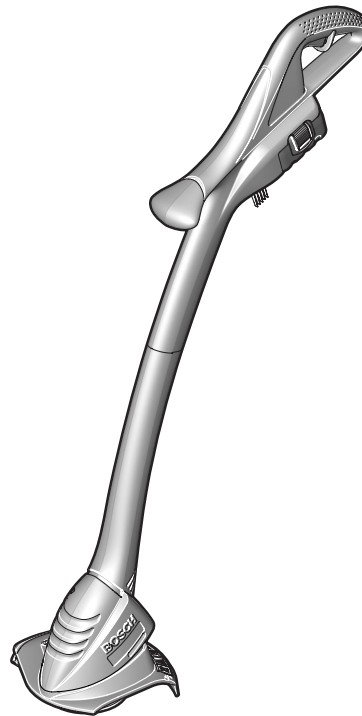




BOSCH

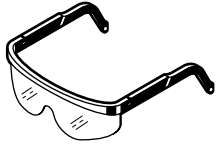
ART EASYTRIM Accu NIMH



Bedienungsanleitung
Operating Instructions
Instructions d'emploi
Instrucciones de servicio
Manual de instruções
Istruzioni d'uso
Gebruiksaanwijzing
Betjeningsvejledning
Bruksanvisning
Brukerveiledningen
Käyttöohje
Οδηγία χειρισμού
Kullanım kılavuzu
Instrukcja obsługi
Návod k obsluze
Návod na používanie
Használati utasítás
Руководство по эксплуатации
Інструкція з експлуатації
Instrucțiuni de folosire
Ръководство за експлоатация
Uputstvo za opsluživanje
Navodilo za uporabo
Upute za uporabu
Kasutusjuhend
Lietošanas pamācība
Naudojimo instrukcija

Deutsch	Polski
English	Česky
Français	Slovensky
Español	Magyar
Português	Русский
Italiano	Українська
Nederlands	Română
Dansk	Български
Svenska	Srpski
Norsk	Slovensko
Suomi	Hrvatski
Ελληνικά	Eesti
Türkçe	Latviešu
	Lietuvių





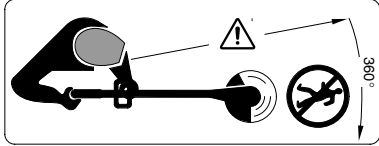
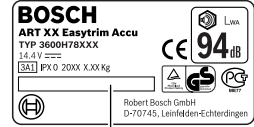
F 016 800 178

24x



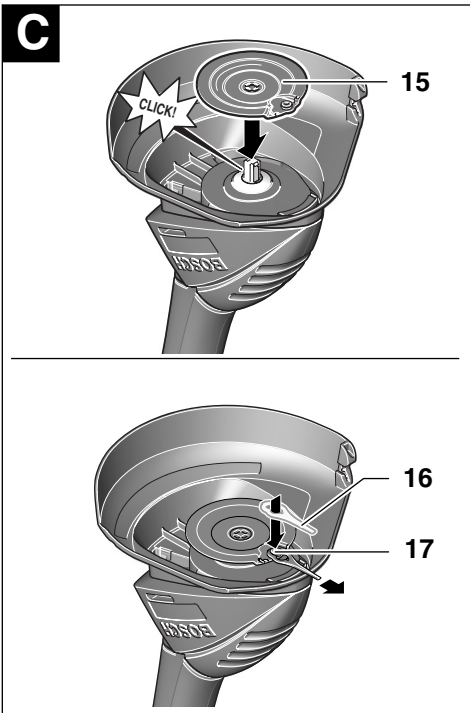
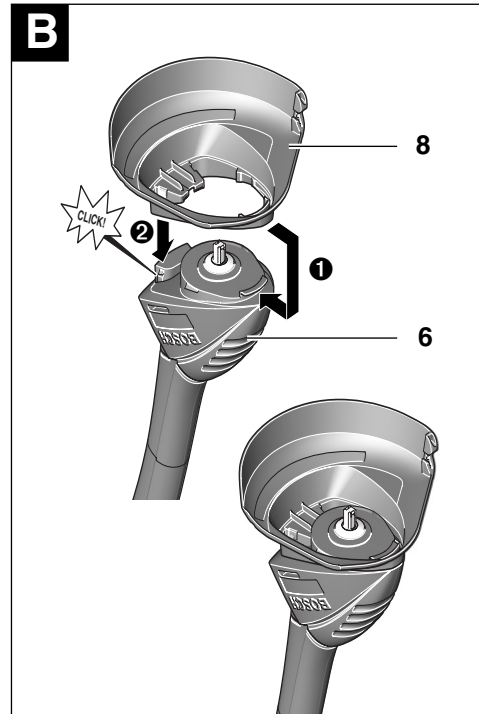
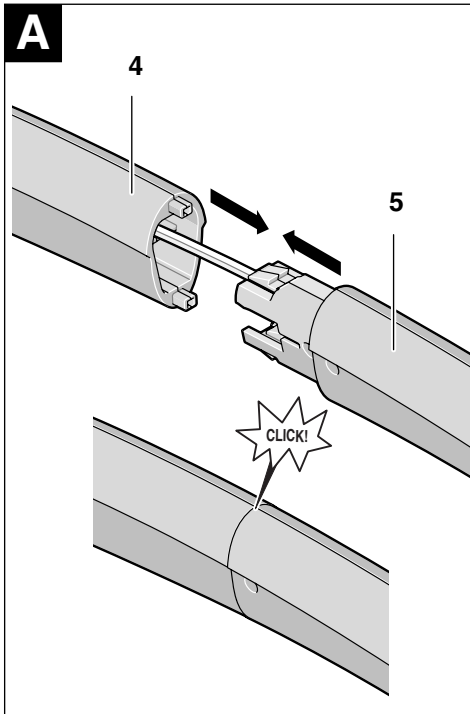
F 016 800 177
(ART 23/2300 EASYTRIM ACCU)

F 016 800 183
(ART 26/2600 EASYTRIM ACCU)



14







Safety Notes

Warning! Read these instructions carefully, be familiar with the controls and the proper use of the trimmer. Please keep the instructions safe for later use.

Explanation of symbols on the trimmer



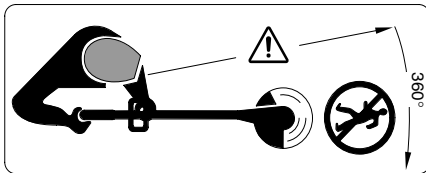
General hazard safety alert.



Read instruction manual.



Wear eye protection.



Beware of thrown or flying objects to bystanders.

Keep bystanders a safe distance away from the machine.

Remove battery before adjusting or cleaning, and before leaving the machine unattended for any period.



Do not work in the rain or leave the trimmer outdoors whilst it is raining.

■ Never operate the trimmer with damaged guards or shields or without guards or shields in position.



Do not use the charger if the cord is damaged.

■ Before using the machine and after impact, check for signs of wear or damage and repair if necessary.

■ Do not operate the trimmer when barefoot or wearing open sandals, always wear substantial footwear and long trousers.

■ Never allow children or people unfamiliar with these instructions to use the trimmer. Local regulations may restrict the age of the operator. When not in use store the trimmer out of reach of children.

■ Never work with this trimmer while people, especially children or pets are nearby.

■ The operator or user is responsible for accidents or hazards occurring to other people or their property.

■ Wait until the blade has completely stopped before touching it. The blade continues to rotate after the trimmer is switched off, a rotating blade can cause injury.

■ Work only in daylight or in good artificial light.

■ Avoid operating the trimmer in wet grass, where feasible.

■ Switch off when transporting the trimmer to and from the area to be worked on.

■ Switch on the trimmer with hands and feet well away from the rotating line.

■ Do not put hands or feet near the rotating blade.

■ Never fit metal cutting elements to this trimmer.

■ Inspect and maintain the trimmer regularly.

■ Have the trimmer repaired only by an authorized customer service agent.

■ Always ensure that the ventilation slots are kept clear of debris.

■ **Switch off and remove battery from the trimmer:**

– whenever you leave the unit unattended for any period

– before replacing the blade

– before cleaning or working on the trimmer.

■ Store the machine in a secure dry place out of reach of children. Do not place other objects on top of the machine.

■ Replace worn or damaged parts for safety.

■ Ensure replacement parts fitted are Bosch approved.

■ Ensure the switch is in the off position before inserting battery pack. Inserting the battery pack into machines that have the switch on invites accidents.

■ Recharge only with the charger specified by the manufacturer. A charger that is suitable for one type of battery pack may create a risk of fire when used with another battery pack.

■ Use machines only with specifically designated battery packs. Use of any other battery packs may create a risk of injury and fire.

■ When battery pack is not in use, keep it away from other metal objects like paper clips, coins, keys, nails, screws, or other small metal objects that can make a connection from one terminal to another. Shorting the battery terminals together may cause burns or a fire.

■ Under abusive conditions, liquid may be ejected from the battery; avoid contact. If contact accidentally occurs, flush with water. If liquid contacts eyes, additionally seek medical help. Liquid ejected from the battery may cause irritation or burns.

Product Specification

Trimmer	ART 23 EASYTRIM ACCU/ ART 2300 EASYTRIM ACCU	ART 26 EASYTRIM ACCU/ ART 2600 EASYTRIM ACCU
Part number (typ)	3 600 H78 H..	3 600 H78 J..
No-load speed	[rpm] 9 500	9 000
Cutting circle	[cm] 23	26
Weight (without optional extras)	[kg] 1.9	2.0
Serial Number	See serial No 14 (rating plate) on machine.	
Battery type	NiMH	NiMH
Battery order number	2 607 335 699	2 607 335 699
Battery Voltage	[V] 14.4	14.4
Battery rating	[Ah] 1.5	1.5
Charging time (empty battery)	[h] 3 - 5*	3 - 5*
Battery charger	AL 1404	AL 1404
Order number	2 607 225 ..	2 607 225 ..
Charging current	[A] 0.4	0.4
Allowable charging temperature range	[°C] 0–45	0–45

*Charging time based on a battery charger input voltage of 230 V.

Intended Use

The product is intended for the cutting of grass and weeds under bushes, as well as on slopes and edges that can not be reached with the lawn mower.

Intended Use is related to operation within 0 °C and 40 °C ambient temperature.

Introduction

This manual gives instructions on the correct assembly and safe use of your machine. It is important that you read these instructions carefully.

Delivered Items

Carefully remove the machine from its packaging and check that you have all the following items:

- Trimmer
- Cutting guard
- Cutting disc
- Blades
- Battery charger
- Operating instructions

When parts are missing or damaged, please contact your dealer.

Operating Controls

- 1 On/Off switch
- 2 Handle
- 3 Guide handle
- 4 Shaft, upper
- 5 Shaft, lower
- 6 Trimmer head
- 7 Ventilation slots
- 8 Cutting guard
- 9 Battery
- 10 Battery charger
- 11 Charging compartment
- 12 LED indicator
- 13 Mains plug**
- 14 Serial No

**Country specific

Not all of the accessories illustrated or described are included as standard delivery.



For Your Safety

Warning! Switch off, remove battery from machine before adjusting or cleaning.

The blade continues to rotate for a few seconds after the trimmer is switched off.

Caution – do not touch rotating blade.

Charging Procedure

The charging procedure starts as soon as the mains plug is plugged into the socket and the battery 9 is inserted into the charging compartment 11.

The green LED 12 is not a charge control indicator! When the green LED is lit, it indicates that a charging current flows.

After the end of the charging process (approx. 3 h–5 h), pull the mains plug of the battery charger from the socket and remove the battery.

The battery should not be charged for longer than 5.5 hours.

A temperature increase of the battery indicates that it is fully charged.

Charging Advice

With continuous or several repetitive charging cycles without interruption, the charger can warm up. This is not harmful and does not indicate a technical defect of the unit.

A battery that is new or has not been used for a longer period does not develop its full capacity until after approximately 5 charging/discharging cycles. Leave such batteries in the charging compartment until they have clearly warmed up.

A significantly reduced working period after charging indicates that the batteries are used and must be replaced.

Assembly



Do not connect the battery before product is completely assembled.

Ensure product is assemble in the following order:

A Assemble trimmer shaft

Push the upper shaft 4 and lower shaft 5 together until a click can be heard.

Note: Once the upper and lower shaft is assembled it can not be disassembled.

Ensure internal cable is not trapped or twisted.

B Mounting the Cutting Guard

Place the cutting guard 8 on the trimmer head 6.

1 Hook the guard onto trimmer head and push until secure fitting.

2 Push rear of guard until secure (click).

C Fitting Cutting Disc/Fitting Blade

Press cutting disc 15 onto drive adaptor as shown (click).

Fit the blade, place the blade 16 over the pivot 17 and pull outwards until it snaps into place.

Cutting and Edging



Remove stones, loose pieces of wood and other objects from the cutting area.

The blade continues to rotate for a few seconds after the trimmer is switched off. Allow the motor/blade to stop rotating before switching “on” again.

Do not rapidly switch off and on.

Switching On and Off

Press switch 1 and hold depressed. Release switch 1 for switching off.

D Cutting Grass

Move the trimmer left and right, keeping it well away from the body.

The trimmer can efficiently cut grass up to a height of 15 cm. Cut taller grass in stages.

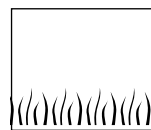
Cutting Around Trees and Bushes

Carefully cut around trees and bushes so that they do not come into contact with the cutting line.

Plants can die if you damage the bark.

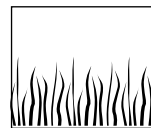
Battery duration

Battery duration is dependent on the working conditions:



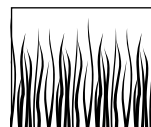
light conditions:

up to 500 metres



medium conditions:


up to 300 metres



tough conditions:

up to 50 metres

Maintenance

 **Before any work on the machine itself, remove battery from machine.**

Note: To ensure long and reliable service, carry out the following maintenance regularly.


Regularly check for obvious defects such as loose fixings, and worn or damaged components.

Check that covers and guards are undamaged and correctly fitted. Carry out necessary maintenance or repairs before using.

If the trimmer should happen to fail despite the care taken in manufacture and testing, repair should be carried out by an authorized customer service agent for Bosch garden products.

For all correspondence and spare parts orders, always include the 10-digit part number (TYP) from the nameplate of the machine!

Blade Maintenance

 **Before any work on the machine itself, remove battery from machine.**


To remove the worn blade **16** push in direction of the arrow until it snaps off the pivot **17**.

Clean the pivot **17** of any residual plastic/debris with a sharp knife.

To refit the new blade **16** place the eyelet over the pivot **17** and pull outwards until it snaps into place.

Note: Only use Bosch replacement blades. They have been developed specially for improved cutting performance. The use of other cutter blades will lead to a deterioration in performance and possible damage to the product.

After Trimming/Storage

 **Stop and remove battery from product. Ensure battery is removed before storage.**

Clean the exterior of the machine thoroughly using a soft brush and cloth. Do not use water, solvents or polishes. Remove all grass and debris, especially from the ventilation slots **7**.

Turn the machine on its side and clean the cutting guard **8** inside. If grass cuttings are compacted, remove with a wooden or plastic implement.

Battery should be stored between 0–45 °C; incorrect storage could result in the battery being damaged.

Fault Finding

The following table gives checks and actions that you can perform if your machine does not operate correctly. If these do not identify/remedy the problem, contact your service agent.

Warning: Switch off and remove battery before investigating fault.

Symptom	Possible Cause	Remedy
Can not fit Guard over cutting disc	Incorrect assembly	Remove cutting disc and fit guard, see also Product assembly
Machine fails to operate	Battery discharged	Recharge battery, see also Charging advice
Machine functions intermittently	Internal wiring defective On/Off switch defective	Contact Service Agent Contact Service Agent
Excessive vibration/ noise	Machine fault Blade broken	Contact Service Agent Replace blade
Cutting time low on one battery charge	Battery not used for long period or initial usage Grass too high Battery worn out	Fully charge battery, see also charging advice Cut in stages Replace the battery
Blade will not move	Battery discharged Machine fault	Recharge battery, see also Charging advice Contact Service Agent
Machine is not cutting	Blade broken Battery not fully charged Grass entangled around cutting disc	Replace blade Recharge battery, see also Charging advice Remove grass
No charging procedure possible due to defective battery	The contacts of the battery are contaminated The battery is defective, due to a disconnection in the battery (individual cells)	Clean the contacts (e. g. by inserting and removing the battery several times) or replace the battery, as required Replace the battery
The LED indicator 12 does not light up after plugging the mains plug into the socket and inserting the battery into the charging compartment 11	The charger plug is not inserted (properly) Socket, cable or charger are defective	Insert the plug (fully) into the socket Check the mains voltage and if necessary, have the battery charger checked by an authorized customer service station for Bosch garden tools

Disposal

Product, accessories and packaging should be sorted for environmentally-friendly recycling.

Only for EC countries:



Do not dispose of the product into household waste!

According to the European Directive 2002/96/EC on waste electrical and electronic equipment and its incorporation into national law, products that

are no longer suitable for use must be separately collected and sent for recovery in an environmentally-friendly manner.

Service

Exploded views and information on spare parts can be found under:

www.bosch-pt.com

Great Britain

Robert Bosch Ltd. (B.S.C.)
P.O. Box 98
Broadwater Park
North Orbital Road
Denham-Uxbridge
Middlesex UB 9 5HJ

☎ Service +44 (0) 18 95 / 83 87 82
Fax Service +44 (0) 18 95 / 83 87 89
☎ Advice line +44 (0) 18 95 / 83 87 91
Fax Advice +44 (0) 18 95 / 83 87 93

Ireland

Beaver Distribution Ltd.
Greenhills Road
Tallaght-Dublin 24

☎ Service +353 (0)1 / 45 15 211
Fax +353 (0)1 / 45 17 127

Malaysia

Robert Bosch (SEA.) Pte. Ltd.
No. 8a, Jalan 13/6
Selangor Darul Ehsan
Petaling Jaya 46200
Malaysia

☎ +60 3 79 58 30 00
Fax (EW Dept.) +60 3 79 58 38 38

www.bosch.com.sg

Australia

Robert Bosch Australia Ltd.
RBAU/SPT2
1555 Centre Road
P.O. Box 66 Clayton
3168 Clayton/Victoria

☎ +61 (0)1 / 800 804 777
Fax +61 (0)1 / 800 819 520
www.bosch.com.au
E-Mail: CustomerSupportSPT@au.bosch.com

New Zealand

Robert Bosch Limited
14-16 Constellation Drive
Mairangi Bay
Auckland
New Zealand

☎ +64 (0)9 / 47 86 158
Fax +64 (0)9 / 47 82 914

Declaration of Conformity

Measured values determined according to 2000/14/EC (1.60 m height, 1.0 m distance away) and EN 28 662.

Typically the A-weighted noise level of the product is: sound pressure level 72 dB (A); sound power level 88 dB (A).

The typical hand/arm vibration is below 2.5 m/s².

We declare under our sole responsibility that this product is in conformity with the following standards or standardization documents: EN 786, EN 60 335 according to the provisions of the directives 89/336/EEC, 98/37/EC, 2000/14/EC.

2000/14/EC: The guaranteed sound power level L_{WA} is lower than 94 dB (A). Conformity assessment procedure according to Annex VI.

Notified body: SRL, Sudbury England

Notified body identifications number: 1088

Leinfelden, 01.06.2006.

Dr. Egbert Schneider
Senior Vice President
Engineering

Dr. Eckerhard Strötgen
Head of Product
Certification

Robert Bosch GmbH, Power Tools Division

Subject to change without notice