



# ***Galaxy***

## **CARPET SOIL EXTRACTOR**



## **SAFETY, OPERATION & MAINTENANCE INSTRUCTIONS**

**MODELS:**    *AX500 GALAXY*

***CAUTION – READ THE INSTRUCTION MANUAL BEFORE USING THE APPLIANCE***



# MACHINE DATA

MODEL NO.	
SERIAL NO.	
DATE OF PURCHASE	
DISTRIBUTOR NAME	
DISTRIBUTOR TEL NO.	
MANUFACTURER CONTACT	Prochem Europe Ltd. Oakcroft Road, Chessington, Surrey KT9 1RH, UK Telephone: + 44 (0)20 8974 1515 Fax: + 44 (0)20 8974 1511 Email: <a href="mailto:sales@prochem.co.uk">sales@prochem.co.uk</a> Website: <a href="http://www.prochem.co.uk">www.prochem.co.uk</a>

***All information and specifications in this manual are current at the date of issue. However, because of Prochem Europe policy of continual product improvement, we reserve the right to make changes at any time without notice. Please note that this manual applies to all models and explains variations including accessories used. Therefore, you may find some explanations for variations and options not installed on your equipment.***

# CONTENTS

	PAGE NO.
WARRANTY	5
IMPORTANT SAFETY INSTRUCTIONS	6
IMPORTANT OPERATING INSTRUCTIONS	7
GENERAL OPERATING INSTRUCTIONS	8
UNDERSTANDING YOUR SOIL EXTRACTOR	9
ACCESSORIES & CHEMICALS	10
CONDENSED OPERATING INSTRUCTIONS	11
PRACTICAL CARPET CLEANING	12
GENERAL MAINTENANCE	13
TROUBLESHOOTING SECTION	15
DISASSEMBLY SECTION	21
MACHINE PARTS DIAGRAM & PARTS LIST	23
WAND PARTS LIST	28
PUMP PARTS LIST	29
HAND TOOL PARTS LIST	30
WIRING DIAGRAM	32
CE DECLARATION OF CONFORMITY	33



This product is marked according to the **European Directive (2002/96/EC) on Waste Electrical and Electronic Equipment (WEEE)**.

The symbol on this product indicates that this product must not be disposed of with normal household waste. Please protect human health and the environment by disposing of this product responsibly in the correct manner.

For further information regarding the disposal, treatment, recycling and recovery of this product, please contact:

Prochem Europe Sales Department  
Telephone: +44 (0)20 8974 1515

*Prochem Europe Ltd. EEE Producer Registration Number: WEE / AJ0044SY*

**European Directive (2011/65/EU) Restriction of use of certain Hazardous Substances in Electrical and Electronic Equipment (RoHS2).**

This equipment does not contain more than the maximum permitted levels by weight of the following substances:

Lead (Pb), Mercury (Hg), Cadmium (Cd), Hexavalent Chromium (Cr (VI)), Polybrominated Biphenyls (PBB), Polybrominated Diphenyl Ethers (PBDE)



# MACHINE WARRANTY

DATE EFFECTIVE: 1/1/13

As of the above date, this warranty supersedes all previous warranties and forms part of the contract of sale. Prochem Europe Ltd. (hereafter referred to as "Prochem") guarantees this machine to be free from defects in materials and workmanship for the relevant time period as shown below, and from the actual date of purchase by the user. Proof of the purchase date from a Prochem Authorised Distributor will be required for performance of this warranty.

**Rotationally moulded polyethylene tanks .....2 Years**  
**All other parts except maintenance items (see below) .....1 Year**

**THIS WARRANTY EXCLUDES NORMAL MAINTENANCE ITEMS**, including but not limited to HOSES, FILTERS, O-RINGS, DIAPHRAGMS, VALVES, DRIVE BELTS, GASKETS, CARBON BRUSHES and damage to motors and other components as a result of failure to replace normal maintenance items. THIS LIST IS NOT EXHAUSTIVE.

**To obtain performance of this warranty, contact the Prochem Authorised Distributor who supplied the product.**

**The Prochem Authorised Distributor is responsible as the selling agent for the provision of initial training in the correct use and application of the machine and approved chemicals. The distributor is also responsible for service maintenance and repairs during and after the warranty period and the administration of any warranty claims in conjunction with the Prochem Service Department. Failure of any of these provisions and responsibilities may invalidate the warranty and the authorised status of the distributor.**

If Prochem receives notice of any defects during the warranty period, Prochem reserves the right to either repair, or replace components that prove to be defective. Goods must be returned before the warranty is approved. Goods sent out prior to the return of faulty items will be invoiced at current prices, subject to standard payment terms (see Prochem Standard Terms and Conditions of Sale). Replacement parts supplied under warranty will be guaranteed for the remainder of the original machine warranty and **NOT** from the date of installation. Spare parts supplied after expiry of machine warranty may be covered by a manufacturer's warranty, subject to inspection by Prochem Europe Ltd. and at its sole discretion. Normal maintenance items, however, are not covered. Replacement or credit of any returned parts will be at the discretion of the Prochem Service Department. Any subsequent refusal to accept their decision will serve to invalidate this warranty with immediate effect.

**PROCHEM AUTHORISED DISTRIBUTORS** are responsible for machine and accessories service back up during and after the warranty period. Prochem will furnish parts if the warranty is approved, but **DISTRIBUTORS** will be responsible for fitting, service, labour and related charges including travel, if applicable, and the cost of returning the machine or parts to Prochem. If any chargeable work is undertaken by Prochem for **DISTRIBUTORS** the labour, parts (if applicable) and return carriage will be charged at **FULL LIST PRICE**. If warranty is approved due to genuine manufacturing defect, then labour charges and carriage charges may be waived at Prochem's discretion.

Prochem may send replacement parts to customers supplied by a **DISTRIBUTOR** or directly by Prochem, subject to the same conditions of replacement and payment above. The customer, however, will be responsible for fitting, labour and the carriage costs of returning repaired parts. Alternatively, Prochem will undertake warranty work at Chessington, subject to the same conditions, but the customer will be responsible for all carriage charges.

*Any of the following circumstances involving the machine will serve to invalidate this warranty:-*

**NORMAL WEAR, ACCIDENTS, USE OF THE MACHINE FOR A PURPOSE OTHER THAN THAT FOR WHICH IT WAS INTENDED, INCORRECT MAINTENANCE, THE USE OF CHEMICALS OTHER THAN THOSE SUPPLIED OR APPROVED BY PROCHEM, INCORRECT INSUFFICIENT OR NON-USE OF DEFOAMER, EXPOSURE TO EXTREME TEMPERATURES OR CONDITIONS, INCORRECT INSTALLATION OR REPAIR & UNAUTHORISED INTERVENTION.**

Liability is excluded for the following:-  
All forms of damage and special damage founded in tort (apart from death and personal injury) and contract law including but not limited to consequential loss, loss of income and losses incurred in reliance of the contract; service, labour or third party charges and the cost of returning the machine or defective parts to Prochem or Prochem's Authorised Distributor.  
As against a person dealing as a consumer, this warranty creates specific rights in addition to any statutory rights, which are unaffected. As against a person dealing otherwise than as a consumer, however, this warranty excludes any implied term that the machine will correspond with a description or a product sample.  
With the exception of some specific products which are labelled and intended to be used by a consumer, all equipment, machinery, accessories, products, services and advice supplied by Prochem is intended for professional and industrial use only.

Your Prochem unit is designed to give you many years of reliable service. If a problem should arise during or after the warranty period, contact the Prochem Authorised Distributor or the Prochem Service Department, for details of the services available. Only the original purchaser of the new equipment may seek performance of this warranty – these rights cannot be transferred to a third party.

*Prochem Europe Ltd.  
Oakcroft Road, Chessington, Surrey KT9 1RH, ENGLAND  
Telephone: + 44 (0)20 8974 1515 Fax: + 44 (0)20 8974 1511*

*Machine Warranty Issue 9 1/1/13*

# IMPORTANT SAFETY INSTRUCTIONS

**PLEASE READ THE FOLLOWING IMPORTANT SAFETY INSTRUCTIONS (!!)  
BEFORE ATTEMPTING TO USE THIS MACHINE. FAILURE TO OBSERVE THE  
INSTRUCTIONS MAY RESULT IN PERSONAL INJURY.**

## **!! CAUTION**

*Read the instruction manual before using the appliance.*

## **!! SOUND PRESSURE LEVEL**

*The sound pressure of this machine, when in use, does not exceed 85 dB (A).*

## **!! APPLIANCE SUITABILITY**

*This appliance is suitable for commercial use, for example, in hotels, schools, hospitals, factories, shops, offices and rental businesses.*

*This appliance is not intended for use by persons (including children) with reduced physical, sensory or mental capabilities, or lack of experience or knowledge, unless they have been given supervision or instruction concerning use of the appliance by a person responsible for their safety.*

**!! CHILDREN** should be supervised to ensure they do not play with the appliance.

**!! FOR MAINS POWERED APPLIANCES** during cleaning and maintenance – the plug is to be removed from the outlet socket.

## **!! TRAINING**

*You must be trained in the operation of this machine before use. Please read this manual carefully and obtain operating instruction from your Prochem Distributor or authorised representative in the correct use of this equipment and suitable chemicals before attempting to clean.*

## **!! REPAIRS**

*Should any repairs, including supply cord replacement be required, we recommend that the appliance be returned to an authorised dealer.*

## **!! ELECTRICAL CABLE INSPECTION & REPLACEMENT**

*This machine must be earthed while in use to protect the operator from electric shock. It is equipped with a sealed and approved EC three conductor cable and three-prong 13A plug. If the supply cord is damaged it must be replaced by a special cord or assembly available from the manufacturer or its service agent. During operation a hazard may occur when running the machine over the power supply cord. The power supply cord should be regularly inspected for signs of damage. If the power supply cord is damaged, it must be replaced.*

## **!! RCD CIRCUIT BREAKER**

*In common with other household and commercial electrical equipment, an 'RCD' circuit breaker plug device is strongly recommended for this type of equipment.*

## **!! EXTENSION CABLES**

*Avoid using extension cables with this machine. If an extension cable is used it should be of a suitable rating and no longer than 30 metres. Use only three wire CE approved extension cable with CE approved three-prong earthed plugs and three pole receptacles that accept the machine 13 amp plug.*

**!! DO NOT** use a multiple adaptor socket to connect the machine and heating units or other devices to a single extension cable.

**!! DO NOT** stand the machine in water to operate such as during flood extraction.

**SERIOUS INJURY OR DEATH MAY RESULT IF MACHINE IS IMMERSSED IN WATER!**

**!! DO NOT** pull the machine by the power cable or hoses.

**!! DO NOT** use this machine with or near flammable vapours. These machines can ignite flammable vapours such as fuels, solvents or thinners. Do not use where oxygen or anaesthetics are used.

**!! DO NOT** operate the machine unless it is completely assembled.

**!! DO NOT** attempt repairs or maintenance unless you are suitably qualified or experienced. Repairs and maintenance should only be performed by qualified personnel and the machine should be tested for electrical safety before re-use.

**!! SPRAY LIQUID** ejection could be hazardous as a result of its temperature, pressure or chemical content.

**!! IF FOAM** or liquid comes from the exhaust switch off immediately.

**!! ALWAYS** disconnect machine from mains supply when left unattended, when emptying the waste container or cleaning the appliance.

**!! WHEN CLEANING THE WASTE TANK** use a broad spectrum disinfectant cleaning agent to prevent contamination from any infectious material.

# IMPORTANT OPERATING INSTRUCTIONS

**PLEASE READ THE FOLLOWING IMPORTANT OPERATING INSTRUCTIONS (!) BEFORE ATTEMPTING TO USE THIS MACHINE. FAILURE TO OBSERVE THE INSTRUCTIONS MAY RESULT IN DAMAGE TO THE EQUIPMENT.**

**! DO NOT** expose the machine to rain or freezing temperatures. Drain solution system and store indoors when not in use.

**! DO NOT** operate the machine without solution and waste tank filters.

**! DO NOT** use boiling water or temperature in excess of 76°C.

**! DO NOT** use chemicals in the machine other than those manufactured or recommended by Prochem Europe.

**! DO NOT** use the machine for dry vacuuming. The vacuum must only be used for wet extraction in conjunction with the spray system.

**! DO NOT** run the solution pump and/or heating unit dry. Always switch off and disconnect the machine and/or heating unit electrical supply when re-filling with solution.

**! ALWAYS** use a clean bucket to fill the solution tank. Do not overfill the solution tank.

**! AFTER USE** flush solution system and rinse the waste tank with clean water and remove loose fibres from the vacuum filter.

**! ALWAYS** observe directions and safety precautions on chemical products.

**! ALWAYS** pre-test carpet or fabric for colour fastness and suitability with ready-to-use cleaning solution before proceeding.

**! ALWAYS** use defoamer in the waste tank to control foaming from previous shampoo residues in the carpet.

**! IF POWDERED CHEMICALS** are used, always premix in a separate bucket before adding to solution tank. If not properly dissolved, powdered cleaning solution may result in damage to the solution pump.

**! USE ONLY** genuine replacement parts for this machine, supplied by an authorised Prochem Distributor.

**! DO NOT** use this machine for any purpose other than for its intended design function. Any deviation from its proper use or purpose and any consequential damage that may occur is the sole responsibility of the user.

**! ALWAYS** discharge soiled solution to a sewage drain linked to a sewage treatment facility.

**! DO NOT** discharge soiled solution into roadside storm drains.

# GENERAL OPERATING INSTRUCTIONS

## BEFORE OPERATING THE MACHINE

Read the manual carefully and completely before attempting to operate the unit. This manual has important information for the use and safe operation of the machine and should be kept available at all times. This machine will ensure years of satisfactory service if operated and maintained according to recommendations in this manual. If additional help or information is needed, please contact your distributor or Prochem.

Prochem carpet soil extraction machines have been designed with the operator in mind. Provided you read the instructions relating to the care of your machine and follow them carefully and take advantage of the helpful hints and advice that we have passed on, you will achieve excellent cleaning results and very quickly pay for your investment. A detailed operational guide is given in the following sections, however, the following important points must be emphasised.

## FAILURE TO OBSERVE THESE INSTRUCTIONS MAY SERIOUSLY AFFECT THE PERFORMANCE OF THE MACHINE AND INVALIDATE THE WARRANTY

- Connection instructions - The 220 - 240V AC models have been fitted with the appropriate EC type sealed power cable and 3 prong 13 amp plug for the UK market. Ensure the machine is connected to a 13 amp socket outlet having the same configuration as the plug. No adapter should be used with this machine. Any modification to the plug type may be dangerous and will void the warranty.
- This equipment is intended for commercial use only.
- The machine was designed for use on carpet and upholstery extraction applications as per instructions and recommendations written in this manual. Any deviation from its proper use or purpose and the consequential damage that may occur is the sole responsibility of the end user.
- Disconnect the power cord from outlet before servicing. Do not leave machine connected to an electrical outlet when unattended.
- Do not immerse or use this machine in standing water. Such use may cause electric shock.
- This equipment is not designed to handle or use combustible/volatile substances such as gasoline or kerosene, in, on, or near the machine. The use of such materials will cause an extreme hazardous condition.
- Use defoamer at all times to prevent damage to the vacuum motor(s).
- Do not use water in excess of 170°F (76°C).
- To prevent seal damage and chemical build-up to the pump system, run clean water through the solution lines after each days use.
- All repairs must be carried out by an authorised Prochem distributor.
- Repairs should only be carried out by a qualified person.
- Do not use replacement parts other than genuine manufacturers parts as specified in the parts list.
- Do not use chemicals in the machine other than those supplied or approved by Prochem Europe limited.
- Do not use the machine as a 'dry' vacuum. Always pre-vacuum carpets thoroughly with a separate 'dry' vacuum cleaner.
- Keep the solution tank and filter clean. Always use a clean bucket to fill the solution tank.
- Clean the waste tank and vacuum filter daily. Do not allow the vacuum shut-off filter to clog and do not restrict the free movement of the ball float (where fitted). Empty recovery tank regularly during use, do not wait for it to fill up and cut the vacuum motor out.
- Clean the drain valve regularly. Lubricate the valve shaft, slide and PVC elbow connection with suitable oil or maintenance spray. Do not drain the waste tank completely until the end of each job, as this will tend to clog the seal with debris and sediment.
- After use, flush through the pump, solution lines and waste tank with at least two gallons of hot water.
- Do not allow the machine, hoses or tools to freeze. Freezing may seriously damage the pump and fittings. Always drain solution and store indoors when not in use. When in transit during freezing weather, insulate and cover machine, wand and hoses.



# UNDERSTANDING YOUR SOIL EXTRACTOR

## OVERVIEW

Extraction machines generally consist of two mechanical parts, a solution pump and fan type vacuum motor(s) - both operated by independent electrical switches located on the main housing. The pump forces a cleaning solution under pressure from a housing tank to the face fibre of the carpet via a solution feed hose and carpet wand. The carpet wand has a spray jet system that is compatible with the pressure from the pump and delivers just the right amount of solution to the carpet. The solution has a short amount of time to be forced into the fibres and emulsify the soil particles before it is extracted by the powerful suction of the vacuum motor. **Because both these functions take place at the carpet wand, it will soon be realised that the speed at which the operator moves the wand is an important factor.**

## RECOVERY SYSTEM

The recovery tank has a built-in shut-off system that works on the principle of a rising ball. As the waste water or foam level rises and comes in contact with the ball (which in turn is secured in a filtered container) the ball floats and eventually is sucked into the aperture of the vacuum pipe and seals the air flow.

It is important to understand that shut-off devices where fitted are there to act as a **precautionary measure**. Care should be taken to **empty the recovery tank frequently and to use a defoamer** if heavy foam build-up occurs due to previous shampoo residue in the carpet. Emptying of the recovery tank is either by way of a positive drain valve or removable bucket. Where fitted, care should be exercised when opening the valve, particularly when the tank is full as the force of dirty water may overshoot the bucket. The drain valve should be cleaned and kept free of soil sediment regularly.

**Do not let the recovery tank overflow and cut out the vacuum motor.**

At the same time do not completely empty the recovery tank until the job is finished as this may leave abrasive sediment in the drain valve rubbers. A suggested method is to drain 10 litres of dirty water regularly and at the same time refill with clean hot solution **using a separate bucket**. By using this technique, the solution tank is kept topped up and the recovery tank is always below warning level all in one journey.

- The filter in the recovery tank should be kept clean and this should be carried out at the end of each carpet cleaning session when cleaning out the recovery tank.

**When cleaning out the recovery tank, follow these steps -**

Place an empty bucket under drain valve and open drain valve slowly. Empty tank and replace bucket leaving drain valve open. Rinse tank with at least 10 litres of hot water, or Prochem deodorising solution. If there is unused solution in solution tank, close drain valve, then switch on the vacuum. With the vacuum hose connected to recovery tank, place the open end of vacuum hose in the solution tank and extract all clean solution into recovery tank. This will clean the inside of vacuum hose as well as finally rinsing out the recovery tank. Remember to leave the vacuum running for a few minutes after you have extracted, as this will help dry out the hose and avoid dripping hoses.

**WARNING - Do not use extraction machines for dry vacuuming**

The vacuum motor on your soil extractor is not protected by a dry dust filter. You should only use the vacuum in conjunction with the solution spray. Any pre-dry vacuuming operation should be carried out using a normal dry vacuum machine.

## SOLUTION SYSTEM

The quick connectors on each end of the solution hose are connected to the machine and the carpet wand, completing the solution circuit from the solution tank via the pump to the wand head. The female connectors incorporate a pull-back release ring which houses steel ball bearings. These should be lubricated regularly otherwise connection may become difficult. The carpet wand heads are made from stainless steel. Do not attempt to use the carpet wand on hard floor surfaces or concrete, which may result in damage to the wand head.

- **Always check that the filter in the solution tank is in good condition.** Remember that the filter is there to protect the pump from dirt and fibres and it is a lot easier and cheaper to replace the filter than it is the pump!
- **Always use a clean bucket when you replenish your solution tank.** This help will prevent soil and sediment from entering the cleaning solution tank and pump system!

# ACCESSORIES & CHEMICALS

## ACCESSORIES

### STAINLESS STEEL UPHOLSTERY TOOL

A lightweight stainless steel cleaning tool that, with care, will not give the problems of the softer alloy materials or plastics, the rough edges of which could damage fine fabric. Suitable for use on all wet-cleanable fine fabrics with an ultra-fine spray tip to avoid over-wetting. This tool is essential for upholstery cleaning.

### CARPET & STAIR HAND TOOLS

Larger and heavier hand tool designed for extraction cleaning stair carpeting, edges, small rugs and inaccessible areas. Also ideal for rinse extracting stains after treatment with an appropriate **Prochem** spotting agent. **These tools are NOT recommended for upholstery cleaning.**

### VACUUM & SOLUTION HOSES (EXTENSION)

Extension hose assemblies may be used provided they conform to the high pressure solution hose requirements and do not exceed the maximum recommended length for the vacuum configuration. The maximum recommended length of hose for single 3-stage vacuum models is 15m (50ft).

## CHEMICALS

**Prochem** specialise in manufacturing chemical products for the soft furnishing cleaning industry, including carpets, floor coverings, upholstery fabrics and curtains. This section refers only to the basic **Prochem** chemicals for general on-site carpet cleaning using the hot water extraction method.

### S775 EXTRACTION PLUS

A wide use carpet cleaning formula containing a high concentration of non-resoiling detergents, builders and brighteners for effective cleaning of synthetic and natural fibre carpets. S775 has an approximate pH of 8.5 and should be diluted with hot water at the rate of 10 ml. per litre (1 to 100).

### S709 MULTI PRO

A concentrated pre-spotter and traffic lane cleaner for treating spots, stains and heavily soiled traffic areas prior to extraction cleaning. Dilute with warm water at 1 - 4 to 1 - 8 and apply by sprayer. For best results, brush into pile using **Prochem** carpet pile brush before following up with extraction cleaning process. S709 has a diluted pH of 10.5, therefore always pre-test fibres for colour fastness before use.

### B109 FIBRE & FABRIC RINSE

A mild acidic concentrate for use as a cleaning/stabilising rinse to restore correct pH to the fibre. B109 will help to stabilise fugitive dyes and reduce the possibility of 'jute browning' caused by over-wetting or the use of alkaline cleaning solutions. B109 can be used in place of S775 in the extraction machine solution tank, or applied by sprayer after cleaning. Dilute 10 ml. per litre of warm water through your machine. B109 is normally only used when a dye test suggests the possibility of dye bleed or on light coloured carpets when JUTE is part of the construction and may cause BROWNING.

### S760 LIQUID DEFOAMER

Always use S760 especially when foam problems from soapy residue left from previous shampoo cleaning are encountered. Mix 20 ml. of S760 with 500ml of cold water and add to vacuum hose and recovery tank. As you drain off to empty the recovered soiled solution, you simply add more S760 as necessary. Remember, it is only necessary to add S760 when extraction cleaning previously shampooed carpets, so always check the recovery tank for foam at the start of each job.

### STAIN REMOVERS, SPOTTERS, PROTECTORS & DEODORISERS

Speciality products such as those listed above are available from the **Prochem** range. Refer to the chemical section of the Product Catalogue for more details. Individual Product Safety Data Sheets on all products are available direct from **Prochem** or Authorised **Prochem** Distributors.

# CONDENSED OPERATING INSTRUCTIONS

## PREPARING THE MACHINE

1. Pour clean solution into front tank.
2. Slide vacuum hose on to the black hose adapter located at the back of machine and the wand.
3. Connect one male end of the solution hose to the wand and the other male end to the machine by sliding knurled collar on the female quick disconnect fitting back. Push the male fitting in and release the knurled collar until it snaps back.
4. Make sure the drain valve is closed by pushing the T-handle all the way in.
5. Previously shampooed carpets may have a heavy build-up of old shampoo residue which can cause the vacuum system to ingest foam and result in damage to the vacuum motor. Remember to add recommended amount of defoamer to the recovery tank every time you fill the solution tank.
6. Plug the machine into a suitable electrical outlet.

## OPERATING INSTRUCTIONS CARPET WAND

**Important: Use only Prochem wands and hand tools with the Galaxy equipment. They are designed to deliver and maintain the correct amount of solution and pressure when attached to the Galaxy pump system. Use of other manufacturers wands may cause over-wetting of carpet, damage to the pump system and lack of pressure.**

1. Turn on the vacuum and solution switches.
2. Slowly pull the wand head towards you with the solution valve trigger engaged. Then make a pass forward and backward with the vacuum only (no spray) over the cleaned area to remove as much soil and solution as possible. Do not over-wet carpet! Make overlapping passes to prevent streaking.
3. On heavily soiled carpets, we strongly recommend using a pre-spray solution. If the carpet is heavily soiled, squeeze solution valve lever on the forward pass as well as backwards, allowing cleaning solution a few seconds longer to work prior to vacuuming.
4. Before the solution tank is empty and the waste tank is full, turn off the pump and vacuum. Place a bucket under the drain elbow and pull up the drain valve T-handle. Dirty solution will pour out until the tank is empty. Close the drain

valve. Use a clean bucket when you refill the solution tank.

5. When the job is completed, turn all switches off disconnect power cable and disconnect the vacuum and solution hoses from the carpet tool and the machine. Drain the recovery tank through the drain valve as before.

## CLEANING UPHOLSTERY

**CAUTION – WE STRONGLY RECOMMEND ATTENDING AN UPHOLSTERY CLEANING COURSE BEFORE ATTEMPTING TO CLEAN FABRIC UPHOLSTERY.**

### General instructions

Cleaning upholstery with success requires a good knowledge of the type of fabric to be worked on. Look for the cleaning instruction label sewn on the underside of the furniture for the recommended method of cleaning the fabric. If it calls for dry cleaning, do not attempt to clean with the wet extraction method. Otherwise, damage to the fabric could occur. Extraction works perfectly on most wet-cleanable fabrics including synthetic (acrylic) velvets.

Before proceeding, test the fabric for colour-fastness. Apply a small amount of ready-to-use cleaning solution on the fabric in an inconspicuous area. Wait for 2 to 3 minutes and blot the area with a white terry cloth towel. If no colour comes off onto the towel, the fabric should be safe to clean. If a little colour comes off, there is some risk of colours running when you clean. It may be possible to stabilise colours by cleaning with B109 Fibre & Fabric Rinse.

1. Prepare the machine in the same manner as for carpet (see preparing the machine) cleaning except attach the upholstery tool to the vacuum hose. Connect the solution hose. Pour warm water into the solution tank. Add recommended amount of cleaning concentrate into the solution tank. Turn on the vacuum and pump switches.
2. Clean with the upholstery tool using as little solution as possible. Make overlapping passes to prevent streaking. Go over the area you just cleaned without depressing the lever (vacuum only) and gauge the amount of moisture extracted for dryness. On heavily soiled areas like arm rests, pre-treat with a recommended pre-spray.

# PRACTICAL CARPET CLEANING

At this stage you will have a reasonable knowledge of your cleaning machine and suitable chemicals to achieve the best results. If you have carpet cleaning background knowledge or you have attended a **Prochem Training Course**, you will also have an understanding of carpet construction, types of fibres and related problems. The following is a summary of the techniques using your **Prochem Soil Extraction Machine**.

## Using the cleaning wand

The procedure for using the carpet wand will vary slightly from carpet to carpet depending on profile and soil content. The effect of using a lightweight wand as a scrub wand is to introduce a certain amount of mechanical agitation that undoubtedly helps to clean better by agitation of the pile fibres.

On the majority of normal soiled carpets no pre-spray cleaner will be necessary (except in problem areas) and a normal mix of 10 ml. S775 EXTRACTION PLUS per litre of hot water can be used. **Prochem** can advise you on the various alternative systems and methods that can be applied for varying soil conditions and carpet types. These are all referred to in the **Prochem Training Course Manual** that is supplied with the course.

## PREPARATION & FINISHING PROCEDURE

Clear area of all small items and breakables then -

1. Dry vacuum (dust removal) open areas of carpet - before moving furniture.
2. Move all furniture to areas that you have just vacuumed.
3. Dry vacuum remainder of carpet and edges (optional depending on condition).
4. Pre-spray heavily soiled areas and treat spots and stains.
5. Clean carpet using cleaning method as described below and subject to dye bleed test being carried out.
6. Reset pile with carpet pile brush.
7. Replace furniture in original position, placing Prochem waterproof carpet protectors under all legs and feet of furniture.
8. Use Prochem foam blocks under PLINTH furniture to allow airflow.

When using the carpet soil extraction cleaning method, there are certain basic rules of operation to follow in order to achieve the best results and to avoid over-wetting the carpet. The following is an effective wand cleaning technique -

1. Switch on pump and vacuum.
2. Starting at right hand corner, extend wand approximately 18" in front of operator to the base of the skirting board.
3. Operate solution trigger to apply spray cleaning solution whilst simultaneously drawing back the wand toward the operator thus allowing the

vacuum nozzle to extract the emulsified soil and excess moisture.

4. The distance on this movement needs to be no more than 18". Release the solution trigger to stop spray.
5. The wand is then pushed back over the same path giving the vacuum a second chance to retrieve more moisture.
6. DO NOT apply more solution during the vacuum only pass.
7. The wand head is now moved far enough to the left so as just to cover the left-hand edge of the first cleaning pass and the procedure is repeated.
8. Spray and vacuum then on return pass, vacuum only.
9. Carry out a total of 4 spray and vacuum passes overlapping each one by approximately 1".
10. At this point the wand head is passed back over the area cleaned, using the vacuum only to recover excess moisture.
11. When sufficient carpet has been cleaned and vacuumed, the PILE can be reset using a Prochem Pile Brush lightly brushing the pile toward you as you move backwards.

The speed at which the wand head is drawn back on the cleaning stroke is usually governed by the degree of soiling, for example, the slower the cleaning stroke the deeper the penetration of cleaning solution. The same effect, however, can be achieved by several quicker passes and not allowing the cleaning solution to penetrate too far all at once, and at the same time, using the movement of the wand to agitate the cleaning solution which does help to produce a better cleaning result.

The choice of technique is left to you, but it must be pointed out that when using the slow technique, there is a danger of wetting down to the backing of the carpet and thereby risking a shrinkage problem. Certainly, on all light to moderately soiled areas of carpet, the wand movement should be fairly fast to avoid over-wetting and extended drying out. Remember that in the early stages of getting used to your extractor, **it is far better to re-clean a patchily cleaned carpet than to have a bad shrinkage problem on your hands**. You will be surprised how quickly you will master the cleaning techniques.

If you have under-estimated the degree of soiling in a carpet, you can always revert to one of the heavy soil cleaning operations such as pre-spraying with S709 MULTI PRO.

**NEVER FORGET - a few extra minutes spent on preparation and pre-treatment can save you hours on a return visit.**

# GENERAL MAINTENANCE

All Prochem machines are engineered and built to require a minimum of maintenance. But like any machine, it does require some care to keep it in optimum working condition. Careful attention to these maintenance instructions will give you maximum operating performance and will increase the life expectancy of the machine. To ensure a trouble-free machine, we strongly advise the following preventative maintenance.

## DAILY MAINTENANCE

The following should be carried out at the end of each carpet cleaning session.

### POWER CABLE & PLUG

Check the condition of the power cable and plug. Make sure all wires are correctly located and tightly connected. If damaged, the power cable and plug assembly must be replaced.


### DO NOT ATTEMPT REPAIR.

**Instruction for replacement of power cable with combined plug (all machines)**

**!! CAUTION - ONLY QUALIFIED MAINTENANCE PERSONNEL SHOULD ATTEMPT THE FOLLOWING REPAIR**

Should the power cable require replacement, please follow the instructions below.

1. The replacement cable and plug shall be of the same specification as the original Prochem part number BE4901 (3 core 1.5mm with 13Amp sealed plug unit)
2. Ensure that machine is disconnected from electrical supply and open electrical housing by means of tool required.
3. Disconnect the live (brown), neutral (blue) and earth (green/yellow) wires from the cable terminal block by means of unscrewing the terminal block wire clamp screws.
4. Release the outer cable clamp next to the terminal block by unscrewing the two securing screws, then unscrew the outer cable gland to release the cable which can then be pulled out of the cable gland assembly.
5. Insert the new cable through the gland, then secure and clamp the outer cable by means of tightening the outer cable gland and the two securing screws next to the terminal block.
6. Connect the live (brown), neutral (blue) and earth (green/yellow) wires to the cable entry gland terminal block by means of inserting the wire conductors into the terminal block as follows :-

The conductor of the wire coloured brown shall be connected to the terminal marked (L), the conductor of the wire coloured blue shall be connected to the terminal marked (N) and the conductor of the wire coloured green and yellow shall be connected to the terminal marked with the Earth symbol thus - 

7. Ensure that all connections are secure and close machine electrical housing and secure with tool required.

### SOLUTION TANK

Flush the solution tank and pump through with 10 litres of hot water. Check the **filter** and clean if necessary. **DO NOT** store hand tools, cables or hoses in the solution tank as this may damage the filter and heating element (if fitted).

### RECOVERY TANK

Flush through with clean water and thoroughly clean the **vacuum filter**. Remove soil and lint build-up inside the filter screen in the recovery tank. Lint should be cleaned off so that airflow is not impeded. Check that the **ball float** moves freely within the filter housing. Clean the **drain valve** using a small soft brush to clear any debris or sediment from the drain valve seal. Lubricate the drain valve shaft, slide and elbow connection with a suitable oil or maintenance spray. Check the waste tank **lid seal** and also make sure the ball float assembly is secure and **pointing away** from the waste water inlet pipe.

### WAND, HAND TOOLS AND HOSES

Inspect the carpet wand and hand tool for sharp edges or damage (if accidentally dropped). Check the **spray jets** for debris, correct alignment and spray pattern. Clean if necessary using **only** a soft bristle brush - **DO NOT use metal or wire**. Rinse the **vacuum hose** with hot water to prevent soil build-up.

### Check all nuts and bolts and tighten if necessary

Pay particular attention to the handle, base-plate and wheel axle shaft securing bolts.

**Always keep the machine clean inside and out.**

## WARNING! FREEZING PROTECTION

If your extraction machine is exposed to freezing weather with solution in the components, the solution will **FREEZE** and in most cases **SERIOUSLY DAMAGE** the machine. To avoid damage, consider the following in the winter season. When the machine is not in use, store it in a **heated building**. This is particularly important in the case of the **WAND** and **HAND TOOL**, which are fitted with brass valves. To avoid freezing between jobs, pump out all the cleaning solution from the machine, wand and hand tool and make sure the wand and hand tool are insulated from the vehicle floor (wrap in a blanket or tarpaulin).

## WEEKLY MAINTENANCE

At least once a week, inspect the internal components, solution fittings and electrical connections. Check for signs of **fluid leakage** and tighten or replace fittings as necessary. Make sure all **electrical connections** and **cables** are in place.

### **Solution Lines and Fittings**

Flush the machine with a solution of 1 part water with 20 parts B109 Fibre & Fabric Rinse in order to neutralise the alkaline residue left by the cleaning solution.

### **Quick connect coupler**

Spray with WD-40 or equivalent lubricant to prevent coupler from sticking.

### **Drain Valve**

Apply light oil on gate seals. If machine has to be stored, leave the gate valve open.

## SOLUTION PUMP

**!! CAUTION - ONLY QUALIFIED MAINTENANCE PERSONNEL SHOULD ATTEMPT THE FOLLOWING REPAIRS**

A diaphragm type pump is fitted to the Galaxy models and requires little maintenance other than occasional inspection of the pump head to check for any fluid leakage. The following components should be inspected and cleaned, or replaced as necessary. See parts illustration in this manual for further reference.

- **CHECK VALVE ASSEMBLY**
- **DIAPHRAGM**
- **CAM DRIVE BEARING**
- **MOTOR BRUSHES.**

Models fitted with continuous running pumps (no pressure switch fitted) should be checked for brush wear every 6 months for normal usage and every 3 months for heavy usage. In the event of a reduction in operating pressure, leakage or pump failure, refer to the '**Fault Finding Guide**' and contact your **Prochem** Distributor.

## VACUUM MOTOR

**!! CAUTION - ONLY QUALIFIED MAINTENANCE PERSONNEL SHOULD ATTEMPT THE FOLLOWING REPAIRS**

The vacuum motor is lubricated for life - no additional lubrication is required. The only other maintenance that may be required is changing the motor brushes. **This should only be carried out by an individual with THOROUGH knowledge of electric motors.**

**The brushes should be changed before the brush wears to within 3/8" of the brass holder.**

**With heavy usage we recommend that the brushes be checked every 3 months. The recommended inspection period for normal usage is at least every 6 months. The estimated brush life is approximately 400 to 450 hours, but inspection and replacement should take place at least every 350 hours to prevent the possibility that brush wear may cause damage to the vacuum motor.**

On re-assembly, the lead wires must be kept away from the rotating parts and the motor frame. Always ensure that the green earth wire is re-connected to the vacuum motor body to ensure safe operation. To achieve maximum life, the brushes should be seated on the commutator before full voltage is applied. Do this by applying 50% of the rated voltage for thirty minutes. In the event of electrical or mechanical failure, refer to the General Fault Finding Guide page in this manual and contact your Prochem Distributor. Although some service parts are available, we recommend that defective vacuums be replaced.

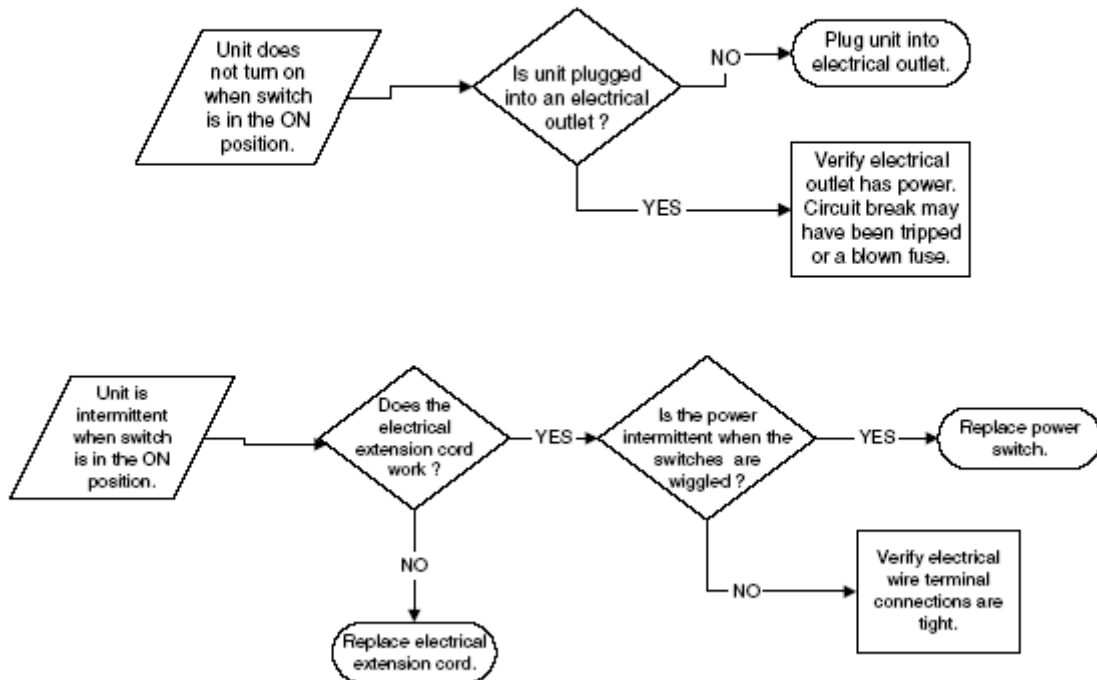
## Troubleshooting Section



### WARNING

To avoid risk of electrical shock, personal injury or death; disconnect power before servicing.

#### Troubleshooting Chart for Electrical System:



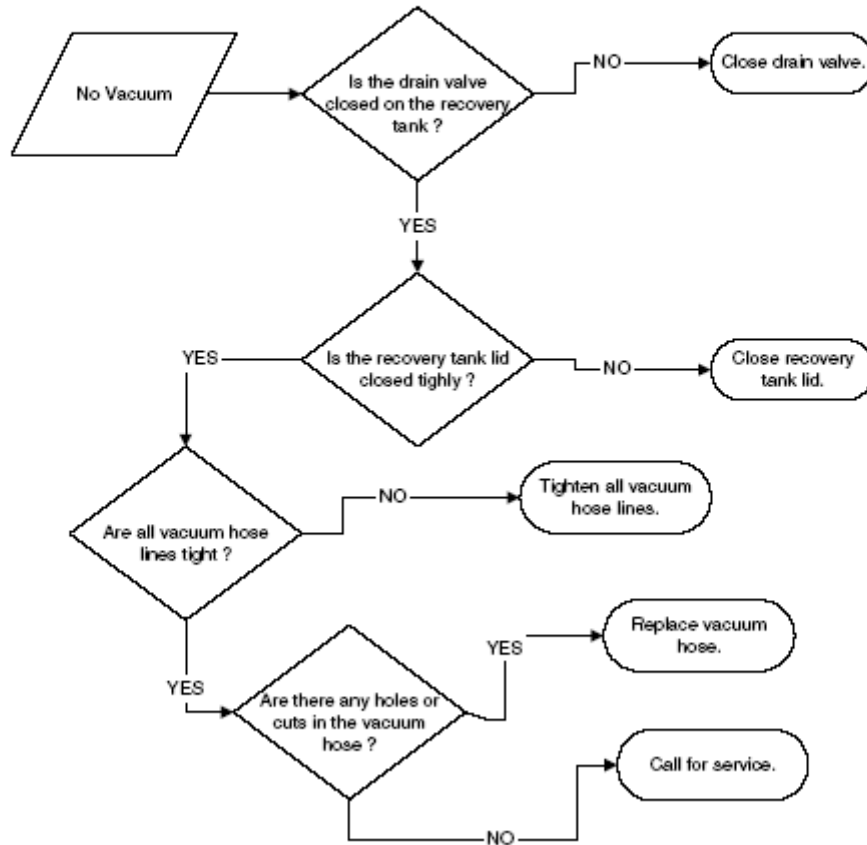
## Troubleshooting Section



### WARNING

To avoid risk of electrical shock, personal injury or death; disconnect power before servicing.

#### Troubleshooting Chart for Vacuum System:





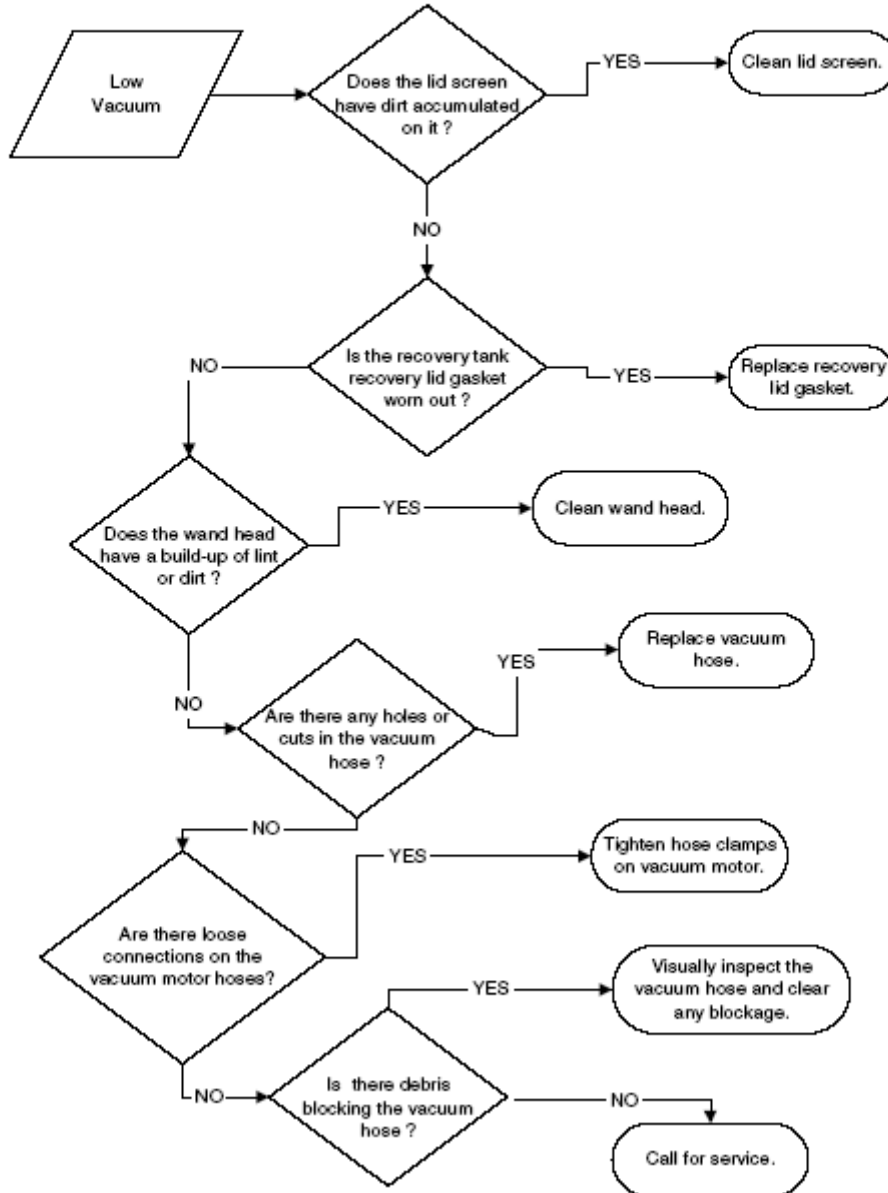
## Troubleshooting Section



### WARNING

To avoid risk of electrical shock, personal injury or death; disconnect power before servicing.

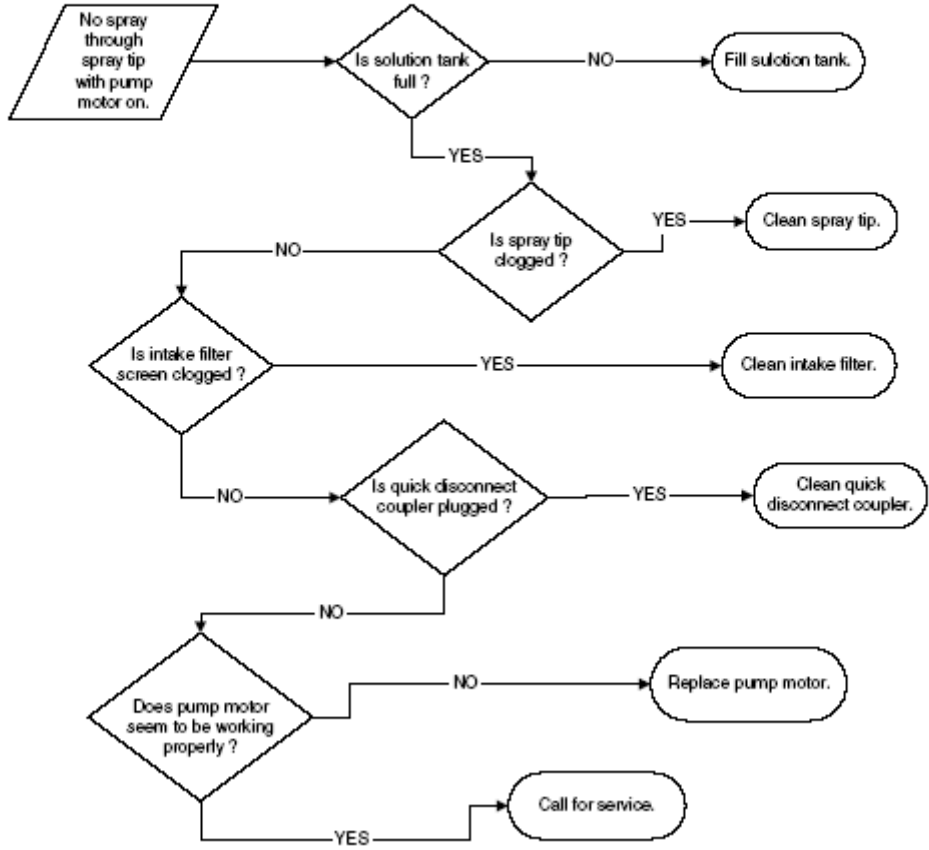
#### Troubleshooting Chart for Vacuum System (Continued):



# Troubleshooting Section

**⚠ WARNING**  
To avoid risk of electrical shock, personal injury or death; disconnect power before servicing.

**Troubleshooting Chart for Solution System:**



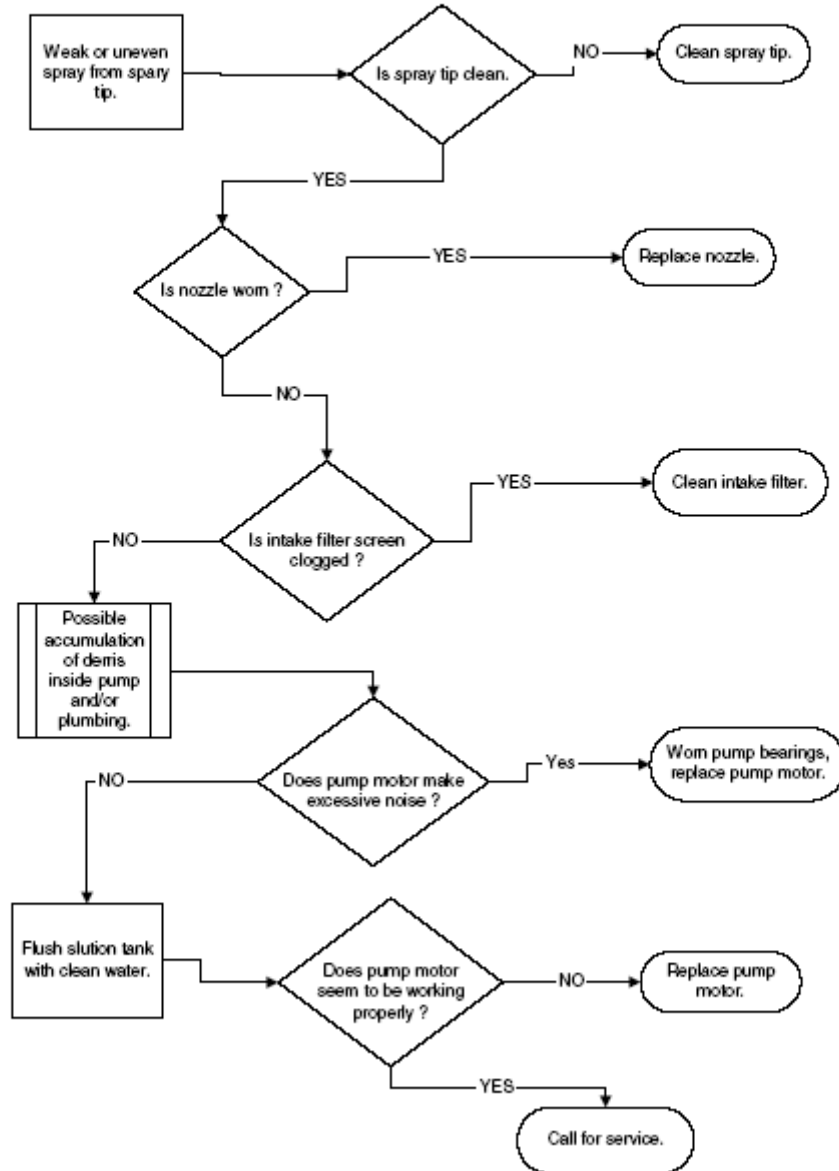
## Troubleshooting Section



### WARNING

To avoid risk of electrical shock, personal injury or death; disconnect power before servicing.

#### Troubleshooting Chart for Solution System (Continued):



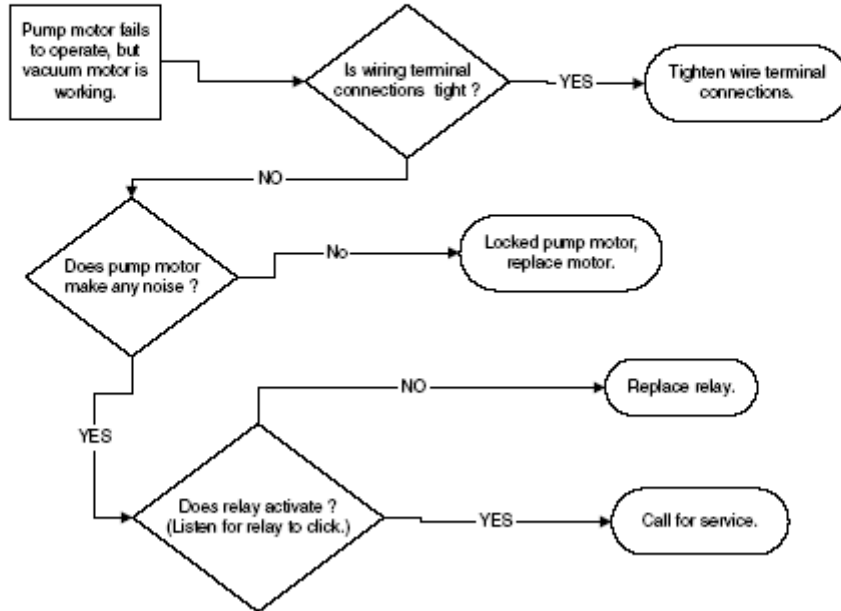
## Troubleshooting Section



### WARNING

To avoid risk of electrical shock, personal injury or death; disconnect power before servicing.

#### Troubleshooting Chart for Solution System (Continued):



## Disassembly Section



### WARNING

To avoid risk of electrical shock, personal injury or death; disconnect power before servicing, unless testing requires power.

#### Handle Removal

1. Release metal clasps locks on both sides of the unit.
2. Remove bolts securing handle to unit recovery tank, located on both sides.
3. Remove handle from unit.
4. Reverse procedure to reassemble.

#### Handle Locking Pins

- Remove screw securing metal locking pins from handle, located on each side of the handle.

#### Handle Locking Clip(s)

1. Release locking clip securing handle in upright position.
2. Hold clip open to gain access to screws securing clip to chassis.
3. Remove screws securing locking clip to chassis.
4. Reverse procedure to reassemble.

#### Recovery Tank Drain Valve and Gasket

- Firmly grasp top and bottom of drain valve and rotate valve counterclockwise to unscrew valve from recovery tank.

#### Recovery Tank Lid

1. Remove plastic end caps to gain access to bolts securing lid.
2. Remove bolts securing lid to recovery tank, located on each side of lid.
3. Remove recovery tank lid from unit.
4. Reverse procedure to reassemble.

#### Solution Tank Lid

1. Remove bolts securing lid to recovery tank, located on each side of lid.
2. Remove recovery tank lid from unit.
3. Reverse procedure to reassemble.

#### Recovery Tank

1. Remove solution tank lid, see "Solution Tank Lid" procedure.
2. Remove float assembly tube from inside solution tank, by twisting and lifting float assembly tube to remove.
3. Remove extension pipe for float assembly, by grasping lower portion of pipe and unscrewing pipe from coupling.
4. Remove bolts securing recovery tank to unit chassis.
5. Lift and remove recovery tank off of unit chassis.
6. Reverse procedure to reassemble.

#### Pump Motor

1. Remove recovery tank, see "Recovery Tank" procedure.
2. Remove vacuum air diverter from vacuum motor, by pulling upward to remove.
3. Disconnect wire terminal plug from wiring harness and pump motor.
4. Remove bolts securing pump to mounting plate.
5. Remove quick disconnect located on the control panel.
6. Push coupling and hose into machine compartment area to release from control panel.
7. Loosen hose clamp securing suction hose to copper suction line.
8. Remove suction hose from copper suction line.
9. Remove pump from machine compartment area, by lifting pump motor out and maneuvering suction line to remove.
10. Reverse procedure to reassemble.

#### Vacuum Motor

1. Remove recovery tank, see "Recovery Tank" procedure.
2. Remove vacuum air diverter from vacuum motor, by pulling upward to remove.
3. Disconnect wire terminal plug from wiring harness and vacuum motor.
4. Loosen hose clamp securing vacuum hose to vacuum motor.
5. Remove vacuum hose from vacuum motor.
6. Remove self tightening nuts securing vacuum motor to mounting plate.
7. Pull bolts out through the bottom of the unit to release vacuum motor.
8. Remove vacuum motor from machine compartment area by lifting vacuum motor out.
9. Reverse procedure to reassemble.

#### Thermal Cutout

1. Remove recovery tank, see "Recovery Tank" procedure.
2. Loosen bolts securing pump motor to mounting plate.
3. Move pump motor to the side to gain access to heating element terminals and nuts.
4. Disconnect and label wire terminals from thermal cutout.
5. Unscrew thermal cutout from machine compartment area and remove.
6. Reverse procedure to reassemble.

**NOTE:** When reinstalling thermal cutout use Silicone Rubber type RTV (preferably clear) to seal thermal cutout to machine compartment.

## Disassembly Section



### WARNING

To avoid risk of electrical shock, personal injury or death; disconnect power before servicing, unless testing requires power.

#### Heating Element and Gasket

1. Remove recovery tank, see "Recovery Tank" procedure.
2. Loosen bolts securing pump motor to mounting plate.
3. Move pump motor to the side to gain access to heating element terminals and nuts.
4. Disconnect and label wire terminals from heating element.
5. Bend heating element terminals downward to allow removal of securing nuts.
6. Remove nuts securing heating element to machine compartment area.
7. Push heating element into solution tank to release heating element.
8. Slowly maneuver heating element out of solution tank to remove.
9. Reverse procedure to reassemble.

#### Relay

1. Remove recovery tank, see "Recovery Tank" procedure.
2. Remove vacuum air diverter from vacuum motor, by pulling upward to remove.
3. Remove top screw securing relay to inner machine compartment area.
4. Raise relay up to gain access to wire terminals.
5. Disconnect and label wire terminals from relay.
6. Reverse procedure to reassemble.

#### Solution Heating Sensing Float and Gasket

1. Remove recovery tank, see "Recovery Tank" procedure.
2. Cut wires from sensing float.
3. Remove nut securing sensing float to machine compartment area.
4. Push sensing float into solution tank to release.
5. Reverse procedure to reassemble.

#### Front Caster(s)

1. Tilt unit to gain access to casters.
2. Remove bolts securing front casters to unit chassis.
3. Reverse procedure to reassemble.

#### Rear Wheel(s)

1. Using a pair of pliers, remove metal end cap securing rear casters to mounting rod.
2. Remove wheel from mounting rod.
3. Slide mounting rod out from unit chassis to remove.
4. Reverse procedure to reassemble.

#### Wiring Harness

1. Remove recovery tank, see "Recovery Tank" procedure.
2. Disconnect and label wire terminals and connection plugs from components.
3. Reverse procedure to reassemble.

#### Control Panel

1. Remove screws securing control panel to unit chassis.
2. Pull control panel outward away from unit.
3. Reverse procedure to reassemble.

#### Switch(s)

1. Remove control panel, see "Control Panel" procedure.
2. Disconnect and label wire terminals from switch.
3. Squeeze plastic tabs together and push switch through the front of control panel to release.
4. Reverse procedure to reassemble.

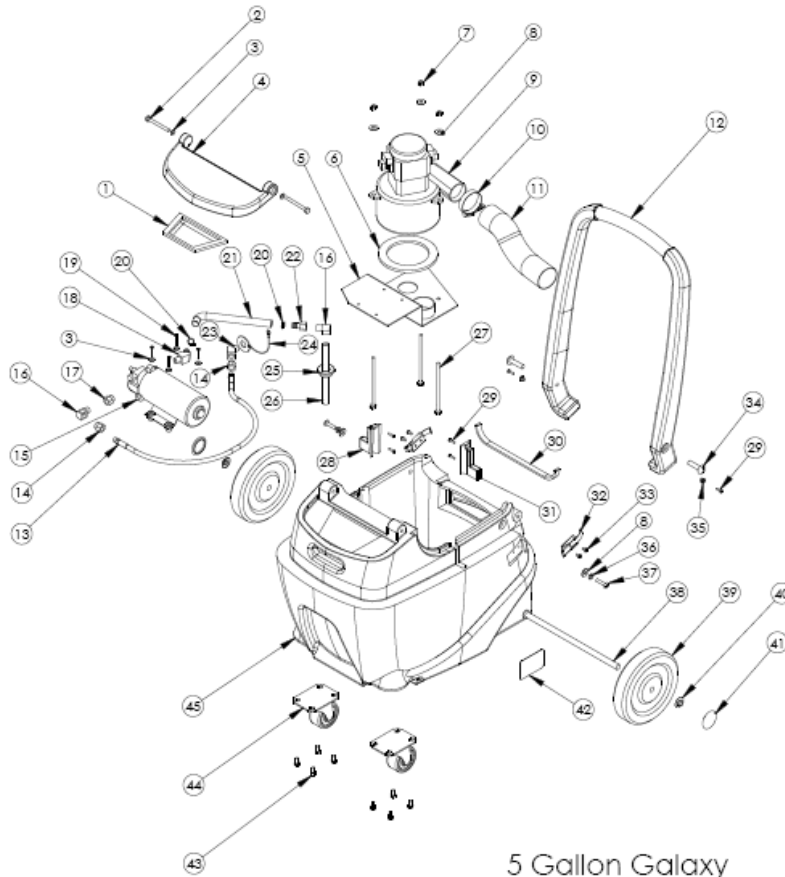
#### Heater Indicator Light (optional)

1. Remove control panel, see "Control Panel" procedure.
2. Disconnect and label wire terminals from indicator light.
3. Push indicator light through the front of control panel to release.
4. Reverse procedure to reassemble.

#### Terminal Block

1. Remove control panel, see "Control Panel" procedure.
2. Loosen screws securing wire terminals to terminals block.
3. Remove screws securing terminal block to back side of control panel.
4. Reverse procedure to reassemble.

# PARTS DIAGRAM & PARTS LIST AX500

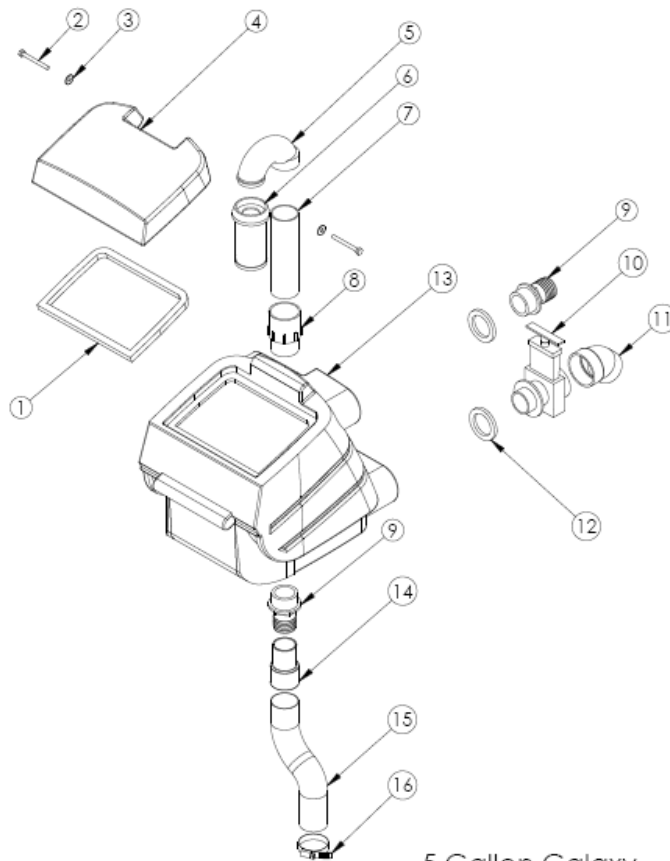


5 Gallon Galaxy  
EDIC 500BX-P  
4-19-07  
Drawing 1 of 3

REF.	STOCK CODE	PART NO.	DESCRIPTION	QTY
1	E90008	F90008	FILTER WITH FRAME	1
2		C02291	SCREW ¼ -20 X 2.5	2
3		C11955	FLAT WASHER NO.10	6
4		F11971	SOLUTION LID	1
5		D11975	MOTOR PLATE	1
6		E11169	VAC MOTOR GASKET	1
7	JE00273	C00273	LOCK NUT ¼ - 20 NYLON	3
8	JE00233	C00233	WASHER ¼ FLAT	5
9	LA4503	116213-00	VACUUM 2-STAGE 5.7" 220-240V	1
	E90007-1	G90007-1	VACUUM 2-STAGE 5.7" REVERSE FAN 220-240V	1
10		J00639	SCREW CLAMP 1.63" X 2.43"	1
11	E00618	J00618	VAC HOSE 2" GREY WIRE	1
12	E11969	F11969	HANDLE	1
13	E11876	11876-2A	HIGH PRESSURE HOSE 2FT X 0.125"	1
14	E00095-1	A00168-18	BUSHING 0.25M X 0.125F	2
15	PC809147		SHURFLO PUMP 100PSI BY-PASS 230V	1
16		A11949	3/8M – F 90 DEG BRASS	2
17		A00168	BUSHING 3/8M X 1/4F	1
18		A12023	3/8 BARB X 3/8 MP 45 DEG BRASS	1
19		C11954	SCREW 10-32 X 1" PHILLIPS	4
20		J11508	SCREW CLAMP NO.6 0.43" X 0.875"	2
21	E11154	J11154	SOLUTION HOSE 0.375" 100PSI WIRE	1
22		A11947	3/8 BARB X 3/8 FP	1
23	E00053	A00053	45 DEG ELBOW 0.25MP X 0.25FP	1
24	JE00255	C11244	WASHER	1

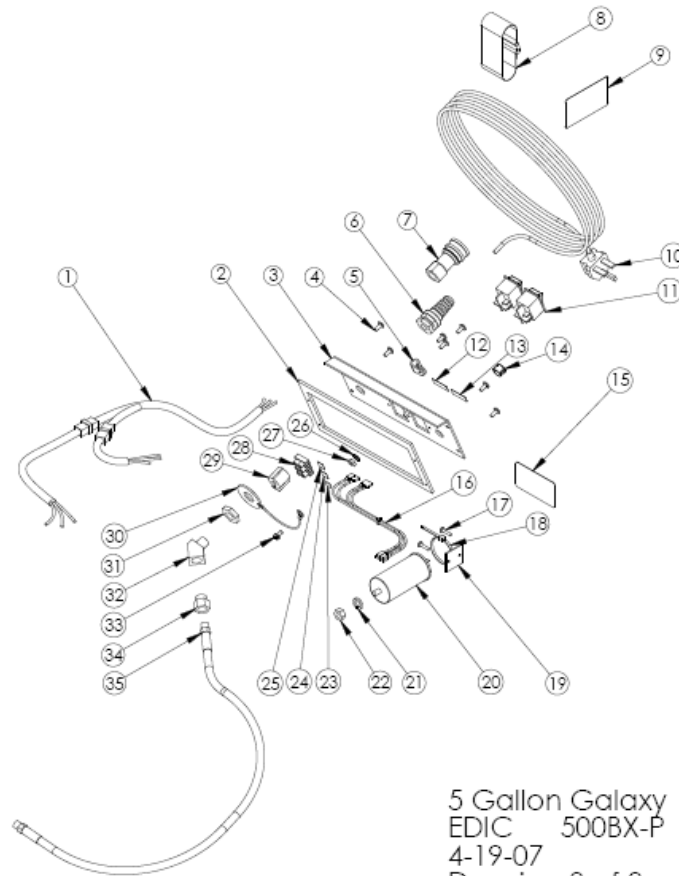
25		E11951	RUBBER GROMMET SEAL	1
26		A11952	NIPPLE 0.375" X 7" NPT	1
27		C11953	HEX BOLT 0.25"-20 X 5.5"	3
28		F12943	RIGHT SEAL	1
29	E00293	C00293	SCREW NO.8 X 0.5" PAN BLACK	6
30	E11129	E11129	BASE GASKET 12"	1
31		F12944	LEFT SEAL	1
32	E11692	D11692	LATCH	2
33	E11529	C11529	SCREW 10-32 X 0.375"	4
34		C12013	SCREW 3-8 16 X 1.5SS	2
35		D12121	LATCH BUTTON, BLACK	2
36		C00254	LOCK WASHER 1/4"	2
37	E02294	C02294	SCREW 1/4 - 20 X 1.25"SS	2
38		D00418-1	AXLE	1
39	GH00530	G11765	WHEEL 7" X 0.5"	2
40	E02305	C02305	CAP NUT 0.5" PUSH ON	2
41	E10458-2	G10458-2	HUB CAP	2
42	E02564-2	H02564-2	LABEL CAUTION, MOTOR HOUSING	1
43	E00314-1	C00313-1	HEX BOLT 1/4"-20 X 0.5"SS (CUT LENGTH)	8
44	GT00531	G00531	CASTOR WHEEL 3"	2
45	E11968	F11966	SOLUTION TANK	1





5 Gallon Galaxy  
EDIC 500BX-P  
4-19-07  
Drawing 2 of 3

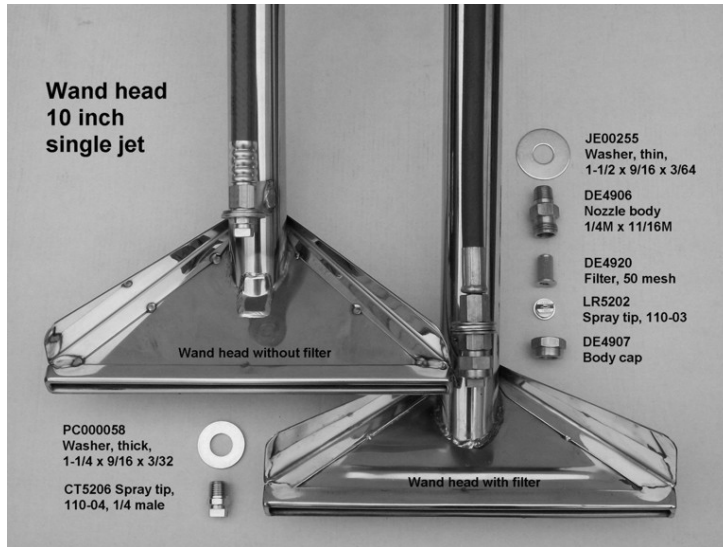
REF.	STOCK CODE	PART NO.	DESCRIPTION	QTY
1	E11962	E11962	GASKET, RECOVERY TANK LID	1
2		C02291	SCREW ¼ -20 X 2.5	2
3		C12095	WASHER	2
4	E11970	F11970	RECOVERY LID	1
5		K11965	ELBOW, 180 DEG FLOAT BALL	1
6	E10989A	10989-2A	FLOAT BALL SCREEN	1
7	E00919	K00672	PVC PIPE 1.5" X 6.75" SCH 40 WHT	1
8	E11961	K11961	ADAPTOR PVC 1.5"	1
9	E00665-1	K00665-1	HOSE ADAPTOR 1.5" BLACK	2
10	EN00711	K00711	DRAIN VALVE BLACK	1
11	EN00710	K00710	ELBOW, DRAIN VALVE BLACK	1
12	KP00427	E11128	GASKET 2.5" OD X 0.19"	2
13	E11967	F11967	RECOVERY TANK	1
14		J00633	CUFF 1.5" WIRE GREY	1
15	E00618-1	J00618-1	VAC HOSE 1.5" X 10" WIRE GREY	1
16		J00650	SCREW CLAMP NO.24 1.25"	1



REF.	STOCK CODE	PART NO.	DESCRIPTION	QTY
1		B12015	MAIN WIRING HARNESS 220-240V	1
2		E12060	GASKET, SWITCH PLATE	1
3		D11974	SWITCH PLATE	1
4	E00293	C00293	SCREW NO.8 X 0.5" PAN BLACK	7
5	E02200	B02200	CLAMP, POWER CORD	1
6	E11199	B11199	STRAIN RELIEF PIGTAIL	1
7	GU00102	A00102	QUICK DISCONNECT 1/4"F X 1/4"FP	1
8	E11177	C11177	VELCRO STRAP, BLACK	1
9		H02548-2	LABEL, IMPORTANT, CORD	1
10	BE4901	B02218	POWER CORD 25FT 3 CORE 13A 220-240V	1
11	E02211-1	B02211-1	SWITCH ROCKER, GREEN LIGHT	2
12	E02576	H02576	LABEL, VACUUM	1
13	E02574	H02574	LABEL, PUMP	1
14	E02714	K02714	PLUG, 0.5"	1
15	E00565-13	H00565-13	LABEL, SERIAL NUMBER	1
16		B11956	HARNESS, SWITCH	2
17	E00293	C00293	SCREW NO.8 X 0.5" PAN BLACK	2
18	RS00190	B00190	NYLON TIE 4"	1
19		A00192	ANCHOR PLATE RFI	1
20	E90001A	B90001	FILTER EMI-RFI 250VAC	1
21		C00251	LOCK WASHER	1
22		C90011	NUT, EMI-RFI FILTER	1
23		H10911	LABEL, SWITCH PLATE EARTH	1
24		H11913	LABEL, SWITCH PLATE LIVE	1
25		H11914	LABEL SWITCH PLATE NEUTRAL	1
26		C02315	STAR WASHER, EARTH	1
27		C00264	NUT, EARTH	1
28	E02190	B02190	TERMINAL BLOCK, 3 WAY	1

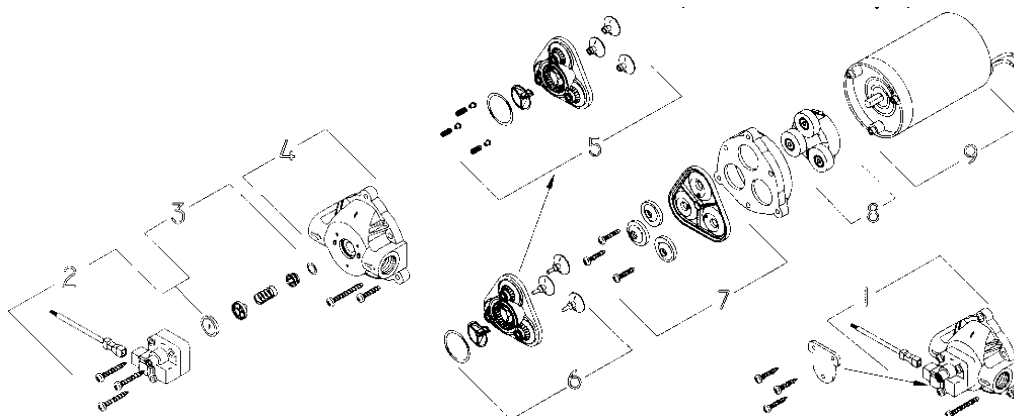
29		B90001-1	FERRITE CORD, 43 ROUND	1
30	JE00255	C11244	WASHER	1
31		A00124	HEX NUT 0.25" NPT BRASS	1
32	E00053	A00053	45 DEG ELBOW 0.25MP X 0.25FP	1
33		C00284	SCREW 10-32 X 0.375" EARTH	1
34	E00095-1	A00168-18	BUSHING 0.25M X 0.125F	1
35	E11876	11876-2A	0.125" HIGH PRESSURE HOSE ASSY. 2FT	1
-	PF00616	G-VAC38ZC	VACUUM HOSE 1 1/2"	15 FT
-	PF00625	90121	HOSE CUFF 1 1/2"	2
	PR2601		15FT VACUUM HOSE ASSEMBLY	1
-	E5006	00640-15-HPA	HP SOLUTION HOSE ASSEMBLY 15FT	1
	PR250		PRIME HOSE	1

# AC1030 WAND PARTS LIST



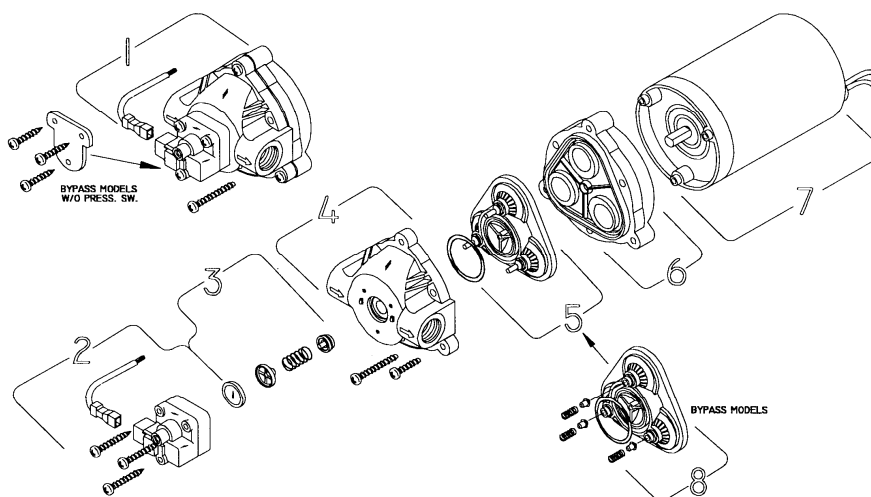
# PUMP PARTS LIST

## SHURFLO PUMP 50 PSI (BEFORE 4/13)



REF.	STOCK CODE	PART NO.	DESCRIPTION	QTY
1			COMPLETE HEAD ASSEMBLY, BY-PASS	1
2			PRESSURE SWITCH ASSEMBLY ( NOT FITTED)	
3			CHECK VALVE COMPONENTS (NOT AVAILABLE)	1
4	SH5205	94-379-01	UPPER HOUSING	1
5	PC809337	94-391-26	BY-PASS VALVE AND DISCHARGE VALVE ASSEMBLY	1
6			VALVE PLATE ASSEMBLY (NOT AVAILABLE)	1
7	SH5203	94-385-30	DIAPHRAGM, PISTON COMPONENTS & DRIVE ASSEMBLY	1
8			DRIVE ASSEMBLY (SEE 7)	1
9			MOTOR ASSEMBLY (LESS BASE PLATE)	1

## SHURFLO PUMP 100PSI (FROM 4/13)



REF.	STOCK CODE	PART NO.	DESCRIPTION	QTY
	PC809147	8090-945-270	SHURFLO PUMP 100PSI BY-PASS 230V CE	1
1	SH5202	94-382-39	PUMP HEAD ASSEMBLY	1
2	SH5201	94-229-08	PRESSURE SWITCH (NOT FITTED ON BY-PASS MODEL)	1
3	PC809333	94-374-16	CHECK VALVE	1
4	SH5205	94-379-01	UPPER HOUSING	1
5			VALVE KIT	1
6	SH5203	94-385-30	PUMP DRIVE WITH SOLID DIAPHRAGM	1
	SH5209	94-238-03	PUMP DRIVE WITH DIAPHRAGM	
7	SH5204	11-201-00	MOTOR 230V	1
	SH5207	94-003-01	ENDBELL BRUSH KIT 230V	1
8	PC809337	94-391-26	VALVE KIT	1

# PM2501 HAND TOOL PARTS LIST

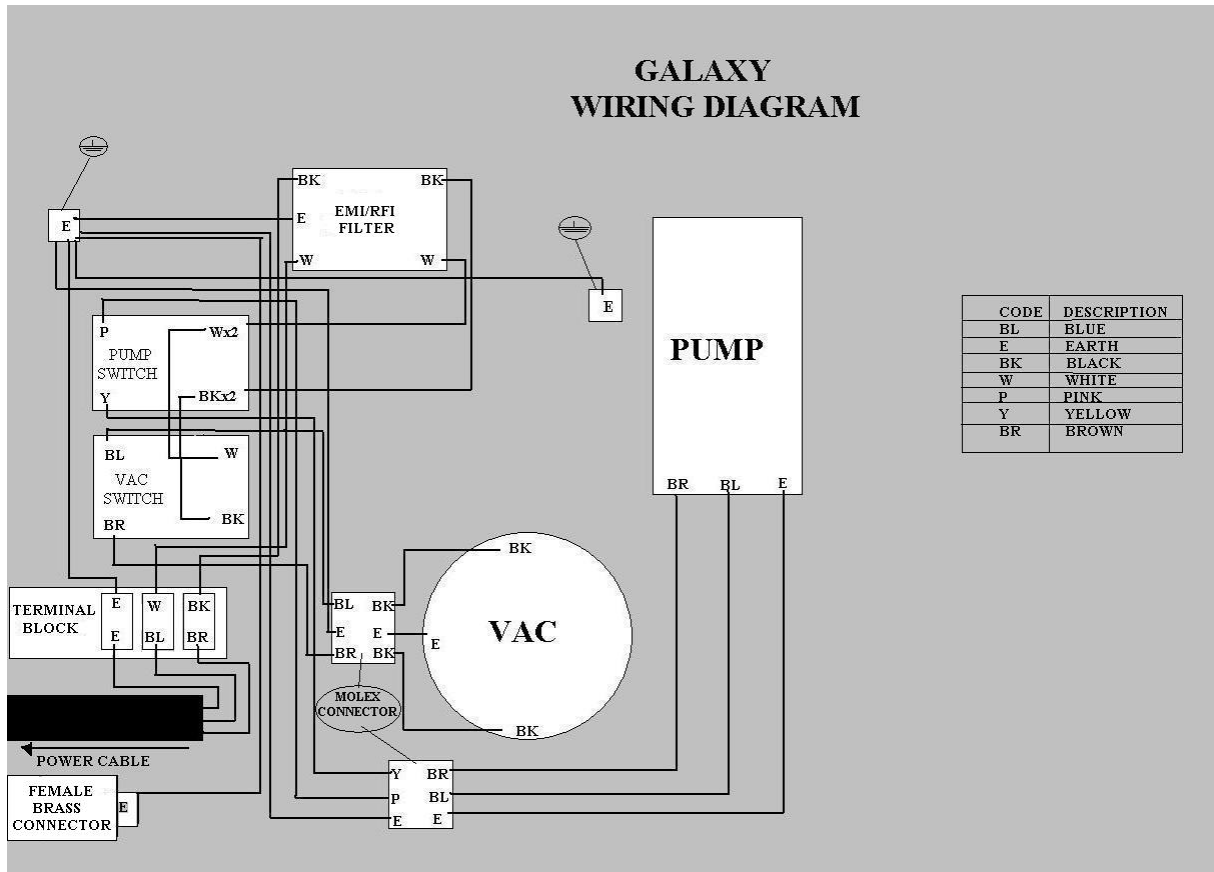


# AC1039 HAND TOOL PARTS LIST



# WIRING DIAGRAM

MODEL AX500  
220 – 240V 50Hz





# DECLARATION OF CONFORMITY

We:  
Prochem Europe Ltd.,  
Oakcroft Road,  
Chessington,  
Surrey, KT9 1RH  
UK  
(Importer / EC Responsible Person)

E.D.I.C  
1753, Blake Avenue,  
Los Angeles,  
California, 90031-1006  
USA  
(Manufacturer)

Declare that the product(s):

Type(s): **GALAXY**  
Model(s): **AX500**  
Description: **CARPET CLEANING MACHINE 220 - 240V 50 Hz**

Has been manufactured in conformity with the following standards and specifications:

**BS EN 60335-1**  
**BS EN 60335-2-68**  
**EN 55014-1**  
**EN 55014-2**  
**BS EN 61000-3-2**  
**BS EN 61000-3-3**  
**BS EN 50366**

And comply with the requirements of (as amended):

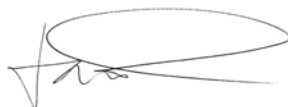
**2006/95/EC** **Low Voltage (LVD) Directive**  
**2004/108/EC** **Electromagnetic Compatibility (EMC) Directive**

A Technical file is held by Prochem Europe Ltd.

Certificate of compliance and test reports have been issued by:

SGS United Kingdom Ltd.  
Unit 10, Bowburn South Industrial Estate  
Bowburn, Durham DH6 5AD  
Ref: ELS118118/2/RSW/08  
CST118118/3

Signed  
(For and on behalf of the Importer / EC Responsible Person)



Name: J Hattersley  
Position: Equipment Product Manager  
Place of Issue: Chessington UK  
Date of Issue: 1/9/2011