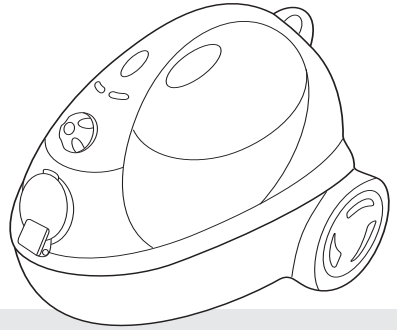


Steam cleaner



Please read and keep these instructions




UK
 Helpline 0870 060 2612
 Replacement parts 0870 167 6643

Ireland
 1800 409119

Quick start

- 1 Fill the tank up to a maximum of 1.0 litre of water (using warm water will reduce the heat-up time). Screw cap on and tighten fully.
- 2 Attach the hose and required accessories.
- 3 Connect to the power supply.
- 4 Press the on/off button to start heat-up. When orange light turns off, the steam is ready.
- 5 Press the trigger on the handle to release the steam.
- 6 Aim the steam safely: at the start water may be ejected. Hold over a sink or bucket until excess water has cleared.

Descaling

Descale regularly, do not wait for a problem to occur. In very hard water areas we recommend using distilled water.



Important safety instructions

The use of any electrical appliance requires the following common sense safety rules.

Primarily there is danger of injury or death and secondly the danger of damage to the appliance. These are indicated in the text by the following two conventions:

WARNING: Danger to the person!

IMPORTANT: Damage to the appliance!

In addition we offer the following safety advice.

Location

- Do not use or keep this product outside when it is raining.
- Do not store the appliance near hot ovens or heating appliances.

Children

- Children do not understand the dangers associated with operating electrical appliances. Never allow children to use this appliance.

Personal safety

- The plug must be removed from the wall socket before cleaning, filling the boiler or maintaining the appliance.
- To protect against fire, electric shock and personal injury do not immerse cord, plug or cleaner in water or other liquid.
- Do not discharge the steam towards people. Danger of scalding.
- Never touch the plug or cable with wet hands.
- Never modify the cleaner in any way.
- When using the machine always keep it horizontal.
- Steam must not be directed towards equipment containing electrical components, such as the interior of ovens.

Other safety considerations

- Do not use any chemical detergents, perfumes, alcohol etc in the water.
- Repairs to electrical appliances are only to be undertaken by trained personnel. Unprofessional repairs can be dangerous for users.
- Use only genuine Morphy Richards spare parts and accessories.
- If the electrical cable becomes damaged the complete cable assembly must be replaced. Do not attempt this task yourself, contact Morphy Richards using the replacement parts number on the front of this leaflet.
- The appliance must never be left running when unsupervised.
- This steam cleaner is intended for domestic use only. Misuse or use for commercial or any other purpose will render the guarantee invalid.

Electrical requirements

Check that the voltage on the rating plate of your unit corresponds with your house electricity which must be A.C. (alternating current).

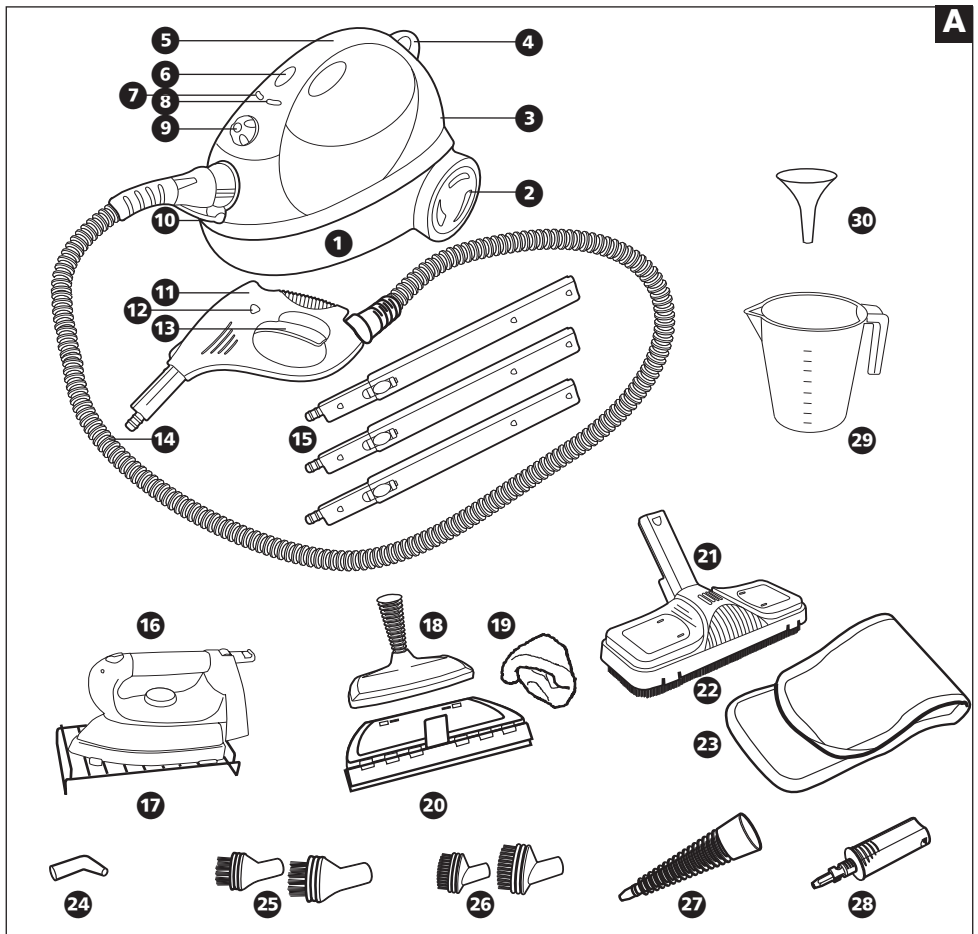
If the socket outlets in your home are not suitable for the plug supplied with this appliance the plug should be removed and the appropriate one fitted.

WARNING: The plug removed from the mains lead, if severed, must be destroyed as a plug with a bared flexible cord is hazardous if engaged into a live socket outlet.

WARNING: This appliance must be earthed.

Should the fuse in the 13 amp plug require changing a 13 amp BS1362 fuse must be fitted.

When using this appliance outdoors it should be additionally protected by a RCCB (Residual Current Circuit Breaker).



Features

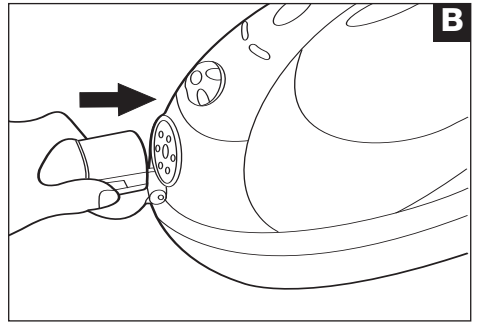
- 1 Tool storage cart
- 2 Wheels
- 3 Tube park
- 4 Filler cap
- 5 Carrying handle
- 6 On/off switch
- 7 Power light
- 8 Thermostat indicator light
- 9 Steam adjustment knob
- 10 Hose inlet and flap
- 11 Hose handle
- 12 Trigger lock button
- 13 Steam trigger
- 14 Hose

Accessories

- 15 Extension tubes x 3
- 16 Professional iron
- 17 Iron pad
- 18 Upholstery nozzle
- 19 Cloth cap for upholstery nozzle
- 20 Window squeegee attachment
- 21 Elbow attachment (shown attached to floor nozzle)
- 22 Floor nozzle
- 23 Cotton towel
- 24 Angled nozzle
- 25 Small and large plastic brushes
- 26 Small and large brass brushes
- 27 Jet nozzle
- 28 Jet nozzle adaptor
- 29 Measuring jug
- 30 Funnel

Fitting the hose

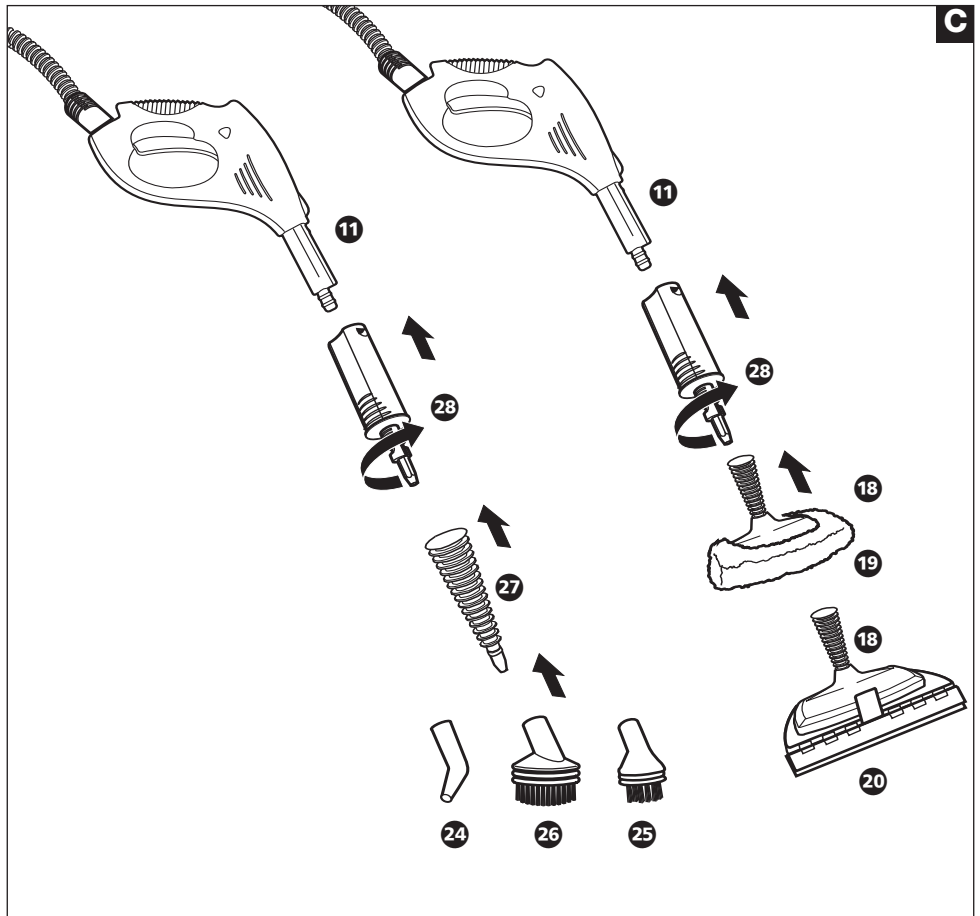
- 1 Pull the hose inlet flap **10** down at the front of the cleaner, line up the locating keyway on the plug with the socket and push the hose connector firmly and fully into the cleaner socket **B**.



Quick accessory assembly guide **A**

Please refer to the accessory assembly section for full descriptions on how to attach tubes and nozzles.

Most accessories are stored in the cart under the steamer **D**.



Using

IMPORTANT: Please remember that the steam cleaner operates by emitting steam at an increased temperature of 130°C. Never use it on objects or surfaces which cannot resist this temperature, delicate materials, dralon, plastic, natural fur etc. Where any doubt exists check carefully on a part of the material where minor marks will not matter.

Filling the boiler E

Ensure the steamer is unplugged from the mains supply before filling or re-filling.

- 1 Unscrew the filler cap 4 by pressing down and turning anti-clockwise.
- 2 Fill the boiler with a maximum of 1.0 litres of water by using the jug and funnel provided. Warm water may be used which will reduce the heat-up time. Do not use any detergent.
- 3 Refit the filler cap and fully tighten by pressing down and turning clockwise.

WARNING: The filler cap must never be opened during use.

IMPORTANT: The use of any other fluids can be dangerous and can lead to damage of the heating element.

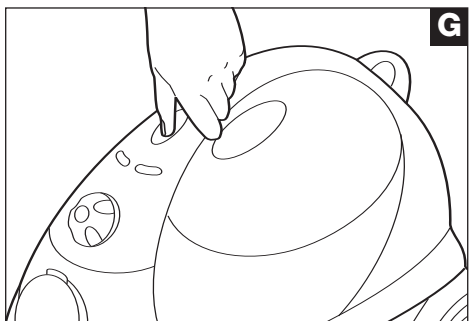
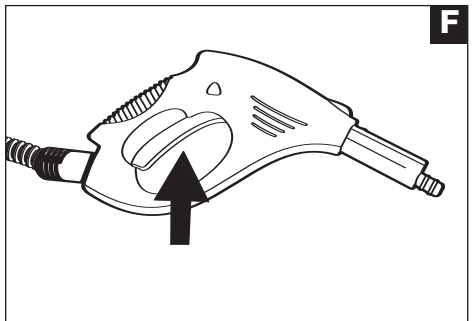
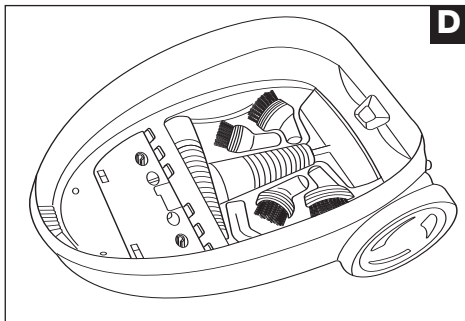
Re-filling the boiler

WARNING: Always switch off, unplug from the mains supply and release all steam before opening and removing the filler cap.

- 1 Release the steam pressure by pressing the steam trigger 13 on the handle until all the steam has been expelled 14. Leave the steamer to cool down for a few minutes.
- 2 Fill the boiler as previously.
 - Use warm water to reduce the risk of spitting.

Switching on

- 1 Insert the plug into the power socket.
- 2 Switch the cleaner on by pressing the on/off switch 6 to 'on' G. The red power indicator light 7 and the orange thermostat indicator light 8 will illuminate. It will take approximately



seven minutes to reach the correct temperature.

- 3 When the correct temperature has been reached the orange thermostat indicator light will go out. The steam cleaner is now ready to use.

The orange thermostat indicator light will cycle on-and-off during operation to show that the steamer is maintaining the correct temperature.

WARNING: To avoid injury, the cleaner should be switched off during breaks or pauses of work. For extra safety apply the trigger safety lock.

If you leave the working area, please switch the cleaner off and unplug.

Steam cleaning

- 1 Ensure the safety lock **12** is off. Push the lock from the left side to lock the trigger and push from the right to release the lock **13**.
- 2 Press the steam trigger and steam will be emitted from the nozzle. Direct the steam at a cloth or into a bucket or sink until the steam is emitted evenly.

WARNING: At the start hot water may be ejected.

WARNING: Aim the steam safely.

- 3 Keep the steam trigger pressed and direct the steam at the surface to be cleaned, removing the dirt by moving the steam jet backwards and forwards over the area.
- 4 To stop the steam jet, release the steam trigger.

IMPORTANT: Do not hold the steam jet concentrated in one place for too long.

- To control the steam temperature and the cleaning power move the handle closer to or further away from the surface being cleaned.

Steam adjustment

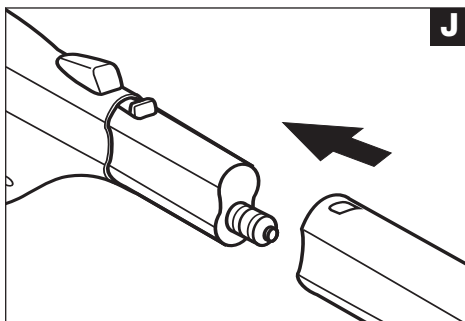
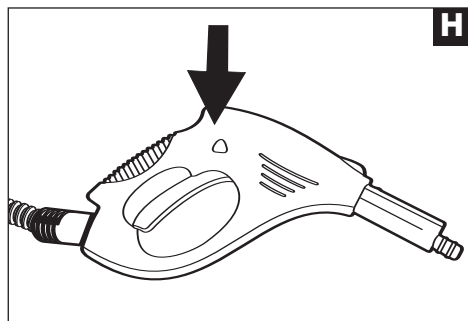
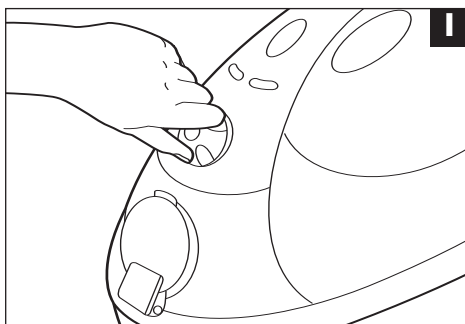
The steam adjustment control **9** varies the steam output. Turn the knob fully anti-clockwise for the maximum amount of steam or clockwise for decreasing amounts of steam **11**.

Accessories

WARNING: Unplug the steamer and allow to cool before fitting or changing attachments as they become hot during use.

Attach the desired accessory to the hose handle **11**. Extension tubes can be attached to the handle for extra reach.

- 1 Push the extension tubes **15** onto the handle connection nozzle as far as they will go until you hear a click **14**.
- Some tasks may be easier with only one tube fitted or non at all.

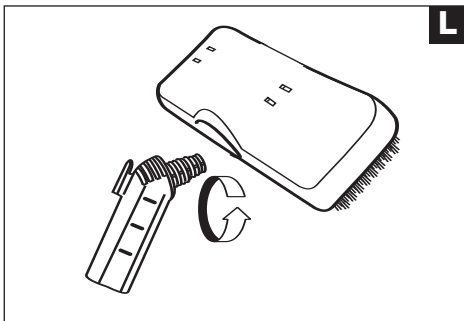
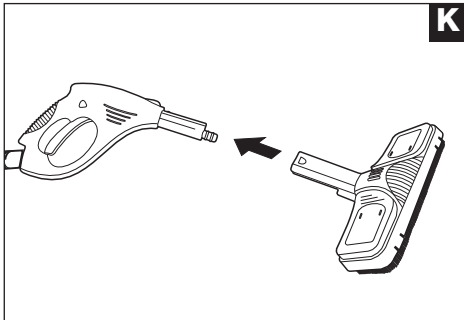


- 2 To connect the desired accessory directly to the hose handle, slide the handle into the accessory head or tube until it locks in place **K**.

Floor nozzle **2**

The floor nozzle is used for the cleaning of large, washable walls and floor areas. The floor nozzle can be used with or without the cotton towel **23**.

- Sensitive surfaces, wood, linoleum etc. should be used with the cloth.
- 1 Fit the elbow attachment **21** to the floor nozzle and twist 1/2 a turn **L**.
 - 2 Fit the floor nozzle to the extension tube or handle **M**.
 - 3 To fit the cloth to the floor nozzle pull the cloth under the clips on both sides. Extra cloths can be ordered through our helpline. Alternatively any strong, uncoloured cotton cloths may be used **N**.
 - The cleaning power of the cloth can be optimised by turning and changing the cleaning cloth regularly.
 - To clean very dirty areas, move the cleaning nozzle over the surface more slowly in order to increase the cleaning

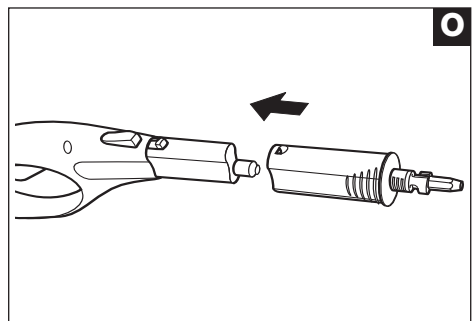
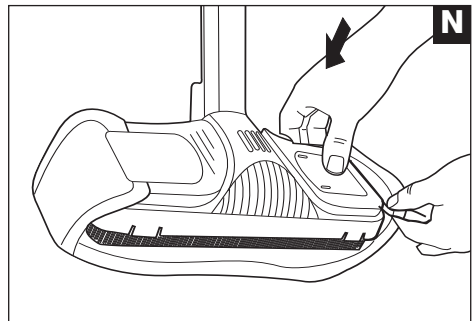
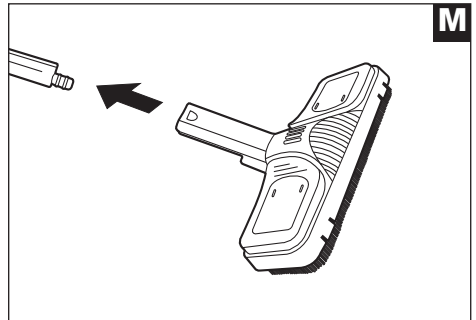


action of the steam.

IMPORTANT: The cleaner is not suitable for cleaning unsealed wooden floors, laminates, soft plastics or wooden furniture. If in doubt check with the flooring manufacturer.

Accessory adaptor

- 1 Push the jet nozzle adaptor **28** as far as it will go onto the connection nozzle until you hear it click into place **O**.
- 2 The jet nozzle adaptor can be removed again by pressing the accessory connection button to release it.

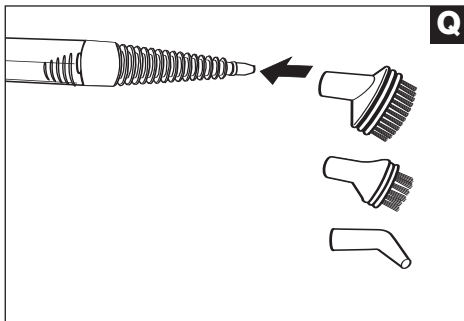
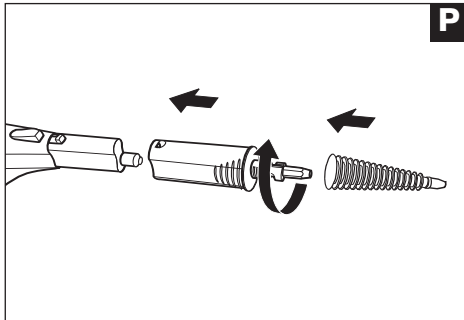


Jet nozzle 27

- 1 Push the jet nozzle directly onto the jet nozzle adaptor and turn in a clockwise direction to lock into place **P**.
- 2 It can be used with various fittings, eg the angled nozzle and small and large brush attachments, depending on the task.
 - The jet nozzle can be used with various fittings for cleaning inaccessible areas such as corners, joints, blinds, radiators and toilets as well as various surfaces such as stainless steel, windows, mirrors, enamelled surfaces and also for stain removal.

Brush attachments 25 26

- 1 Choose the desired plastic or metal brush attachment for the task **Q**.
- 2 Fit the brush attachment onto the jet nozzle by pushing on.
- 3 Pull to remove.
IMPORTANT: Do not use the brass brush on grouting or delicate surfaces. Always test a hidden area before using steam on any surface.



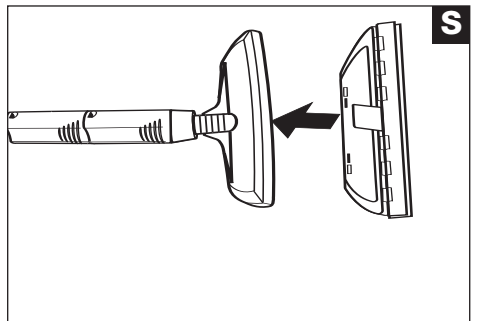
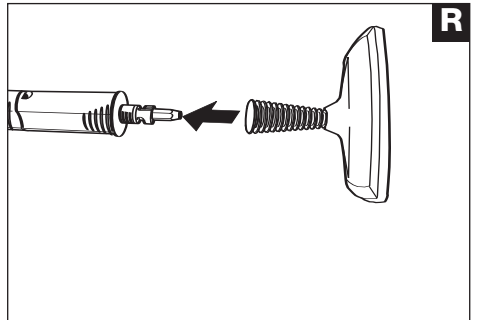
Upholstery attachment 18

- 1 Fit the rectangular upholstery steam nozzle to the jet nozzle adaptor by pushing on and turning clockwise to lock **R**.
- 2 This nozzle can be used with or without the cotton cover **19**.
- 3 Turn anti-clockwise and pull to remove.
 - This nozzle is ideal for cleaning cushions, carpets and car seats.

IMPORTANT: Always test on a hidden area before you start. Steam cleaning may not be suitable for certain fabrics such as dralon due to the high temperature of the steam.

Window squeegee attachment 20

- 1 Locate the window squeegee onto the two tabs at the bottom of the upholstery nozzle. Then push the top of the squeegee until the clip goes over the top of the upholstery nozzle **S**.
 - This attachment is ideal for cleaning windows, mirrors, ceramic tiles and other non porous smooth surfaces.
 - Apply the steam evenly to the glass surface from a distance of 10-15 cm.



Then switch the steam off and wipe the moisture off the glass from top to bottom using the rubber squeegee. Wipe the rubber squeegee and the lower edge of the window. Dry after every strip.

IMPORTANT: Glass surfaces can be shattered by the sudden application of excessive heat. Warm glass surfaces first from a distance of 20-25 cm. Continue at a distance of 10-15 cm.

Professional iron 16

(certain models only)

The high steam professional iron produces up to six times more steam than a normal domestic iron and is up to four times faster.

- Do not stand the iron on its end, always place it with the soleplate down on the iron pad 17.
- 1 Firmly insert the plug of the iron into the hose inlet of the cleaner until it locks in place.
 - 2 Set the iron temperature knob to the correct temperature for the fabric to be ironed.
 - 3 Switch the steamer on by pressing the on/off switch. The orange power light on the steamer will illuminate and the orange warming-up light on the iron will illuminate. The light on the iron will go off when the iron has reached the desired temperature (and cycle on-and-off during operation to show that the iron is maintaining the correct temperature).
 - 4 When the steam is ready for use and the iron is hot, place your thumb on the large switch located at the top of the iron, to release steam.
 - 5 Release some steam away from the fabric before commencing ironing until a

steady flow of steam comes out.

- The iron can be used vertically to 'steam-iron' curtains, dresses etc.

Tube park 3

- During use the tubes and nozzle can be stored in the park position for short breaks whilst cleaning 11.

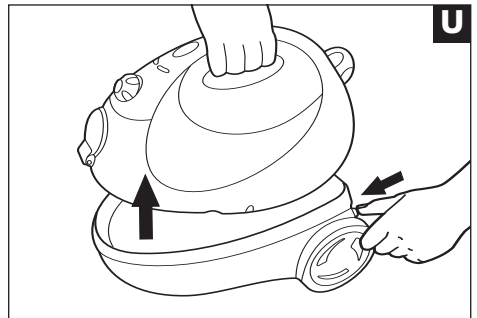
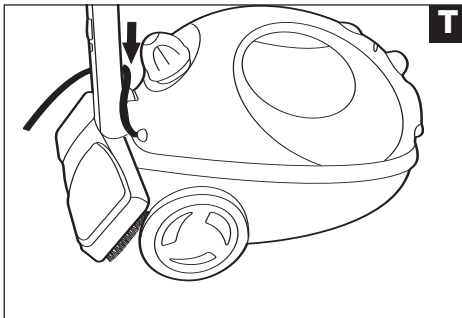
Tool storage cart

The cleaner may be used with or without the storage cart.

Press the button at the rear of the cleaner and lift to remove the boiler from the cart 11.

The accessories for your steam cleaner can be neatly stored in the cart.

When replacing the steam cleaner on the cart put hose inlet end 10 in first, then with a firm downward motion push till the button at the back of cart goes in then out, a click will be heard.



Cord storage

There is a cord storage facility on the bottom of the cart. With the cleaner on its heel, pull-out the lower portion and rotate 1/2 a turn. Pull the latch in the centre downwards to let the upper portion to move out. Wrap the cable around the two hooks **V**. For quick release of the cable rotate the lower portion back 1/2 a turn.

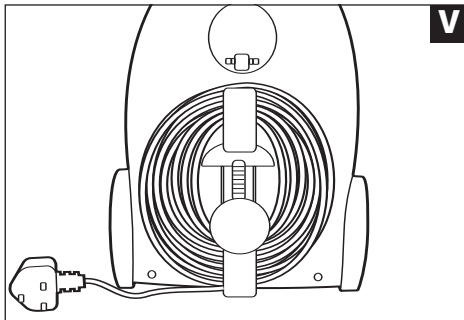
- Make certain cord storage is returned and latched to its original position before use.

After use

- 1 Switch the cleaner off and unplug from the socket. Wait until the cleaner has cooled down completely.
- 2 Release any steam pressure by pressing the steam trigger on the handle.
- 3 Apply the steam safety lock.
- 4 Remove the filler cap.
- 5 Empty the water tank. Allow the inside of the water tank to dry out before replacing filler cap.

Rinsing the water tank

To clean the water tank fill it with clean water and shake vigorously. This will release any limescale deposits that have collected on the bottom of the tank. Pour the water out by holding upside down.



Descaling

In order to prolong the life of your cleaner you should descale the steam tank at least every 6 months.

- 1 Switch the cleaner off, unplug and allow to cool.
- 2 Empty any water out of the tank.
- 3 Mix the descaler in the measuring jug using warm water. We recommend using 50gm of citric acid crystals per 1 litre of water. Citric acid crystals are available from most pharmacies.
- 4 Pour 1 litre of the descaler solution into the tank.
- 5 Fit the cap and tighten fully.
- 6 Using the handle, move the steam cleaner about to swill the solution around the tank.
- 7 Leave for 30 minutes.
- 8 Empty the solution carefully.
- 9 Rinse the tank with clean warm water, then empty.
- 10 Wipe the outside of the cleaner with a damp cloth to remove all traces of descaler solution.

Warning: Do not switch on the heater with the descaling solution inside.

Care and maintenance

Your cleaner is manufactured to withstand normal day-to-day use, but an occasional wipe over with a damp cloth will help maintain its good looks. Abrasive cleaners should not be used.

Purchasing parts

Use original parts. Replacement parts can be purchased from specialist retailers. If you have difficulty, call the helpline number .

Morphy Richards products are intended for household use only

Morphy Richards has a policy of continuous improvement in product quality and design. The Company, therefore, reserves the right to change the specification of its models at any time.

morphy richards[®]

The After Sales Division,
Morphy Richards Ltd, Mexborough,
South Yorkshire, England, S64 8AJ

Helpline (office hours)

UK 08450 777700

Republic of Ireland 1800 409119