

FIRE EXTINGUISHER

CAT. **PR02-5**



2.5 LB DRY POWDER

Monoammonium Phosphate
extinguishing agent.

RECHARGEABLE

Can be recharged after use.

METAL HEAD

Commercial grade metal valve and head

EASY TO READ PRESSURE GAUGE

Provides fire extinguisher status at a glance.
Needle in green means product is ready to
use, in red, it needs to be recharged or
replaced.

BRACKET INCLUDED

Plastic mounting bracket with strap for
easy mounting.

MARINE APPROVED

U.S. Coast Guard approved for marine
use when used with supplied bracket.



U.S.C.G. Marine
Approved



First Alert®

Rechargeable Multi-Purpose UL Rated: 1-A: 10-B:C

Description:

First Alert Model FE1A10GR (cat. no. PR02-5) is a 2.5 lb. dry powder fire extinguisher containing monoammonium phosphate fire extinguishing agent and complies with the Standard for Rating and Fire Testing of Fire Extinguishers, ANSI/UL711, CAN/ULC-S508. It also meets performance, listing and labeling standards for dry powder fire extinguishers as outlined in ANSI/UL299 and CAN/ULC-S504. It has a UL Rating: 1-A: 10-B:C. Dry chemical and dry powder fire extinguishers are intended to be utilized in accordance with the Standard for Portable Fire Extinguishers, NFPA 10 and with the National Fire Code of Canada.

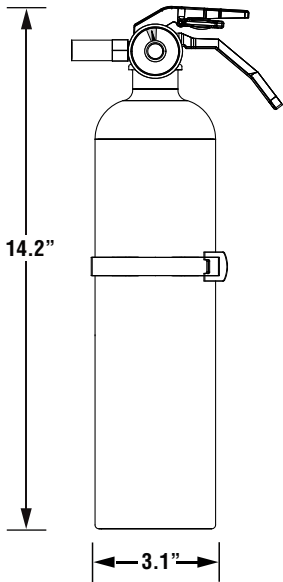
First Alert Cat. No. PR02-5 is a 2.5 lb. A-B-C fire extinguisher designed for multi-purpose household use to fight wood, paper, plastic, flammable liquids and electrical fires. The commercial grade metal head is rechargeable and features an easy to read pressure gauge. It comes with a plastic mounting bracket with strap for easy mounting and is U.S. Coast Guard approved for marine use when used with supplied bracket. Also available is an optional heavy-duty metal bracket, cat no. FEBRA2-6. See back for details.



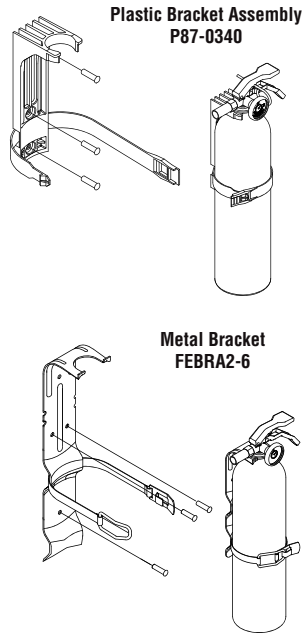
CAT. PRO2-5



OVERALL DIMENSIONS



BRACKET INSTALLATION OPTIONS



TECHNICAL SPECS

Dimensions:	3.1" dia x 14.2"H
Weight:	5.1 lbs.
Temperature Range:	-40°F (-40°C) to 120°F (49°C)
Pressurized to:	100 psi (689kPa)
Head/Can Type:	Metal/Steel
Rechargeable:	Yes, per First Alert M08-0145 Service Manual
Rating/MSDS:	1-A: 10-B:C / F-9751 Foray® monoammonium phosphate
Listing:	Listed to UL711, ULC-S508, UL299 and ULC-S504 Standards

SHIPPING SPECS:

Individual Carton Dimensions	4.25 "L x 4.06"W x 14.88"H
Weight	5.3 lbs.
Cube	0.15 ft3
UPC	0 29054 00090 3
Master Carton Dimensions	13.31"L x 8.44"W x 15.63"H
Master Pack	6
Weight	32.7 lbs.
Cube	1.02 ft3
I2 of 5	200 29054 00090 7
Pallet Information	
Cases per Layer	15
Number of Layers	3
Cases per Pallet	45
Units per Pallet	270
Cube*	50.6 ft3 / 57.6 ft3
Weight	1,538 lbs.

*Note: First measure is actual load cube including pallet height. Second measure includes unused pallet space based on a standard GMA (Notched) 48" x 40" x 5" pallet.

ARCHITECTURAL AND ENGINEERING SPEC

The fire extinguisher shall be a First Alert Model FE1A10GR and shall provide at a minimum the following features and functions:

1. Dry powder fire extinguisher containing monoammonium phosphate fire extinguishing agent.
2. Rated at 1-A: 10-B:C.
3. A commercial grade metal head that is rechargeable per First Alert M08-0145 Service Manual and a red steel can.
4. An easy to read pressure gauge with a needle that visually shows fire extinguisher pressure status via a green section signifying pressure is good and a red section signifying unit needs to be recharged or replaced.
5. A plastic mounting bracket with strap.
6. U.S. Coast Guard approved for marine use with approved bracket. Marine Type, U.S. Coast Guard Type-A-Size II, Type-B:C-Size I. Approval 162.028/EX3622. Valid only with bracket assembly number P87-0340 or bracket number B70-0161 and strap number S70-0007.
7. The unit shall be capable of operating between -40°F (-40°C) and 120°F (49°C).
8. Pressurized to 100 psi (689 kPa). Meets DOT requirements for cylinders. Tested to 300 psi (2070 kPa).
9. The unit shall at a minimum be listed to and meet the requirements of UL711, ULC-S508, UL299 and ULC-S504.

FIRE EXTINGUISHER CLASSIFICATIONS

It's important to understand how fire extinguishers are classified in order to choose the correct model. BRK Brands, Inc. offers a wide range of residential, marine, commercial, and automotive fire extinguishers to meet the needs of your customers.

This Fire Extinguisher



A TRASH-WOOD-PAPER

Fire extinguishers with a Class A rating are effective against fires involving paper, wood, textiles, and plastics. The primary chemical used to fight these fires is monoammonium phosphate, because of its ability to smother fires in these types of materials.



B LIQUIDS

Fire extinguishers with a Class B rating are effective against flammable liquid fires. These can be fires where cooking liquids, oil, gasoline, kerosene, or paint have become ignited. Two commonly used chemicals are effective in fighting these types of fires. Monoammonium phosphate effectively smothers the fire, while sodium bicarbonate induces a chemical reaction which extinguishes the fire.



C ELECTRICAL EQUIPMENT

Fire extinguishers with a Class C rating are suitable for fires in "live" electrical equipment. Both monoammonium phosphate and sodium bicarbonate are commonly used to fight this type of fire because of their nonconductive properties.

BRK[®]
THE PROFESSIONAL STANDARD
brkelectronics.com

©2009 BRK Brands, Inc. a Jarden Corporation
Company (NYSE: JAH)
3901 Liberty Street Road
Aurora, IL 60504-8122
All rights reserved.

First Alert is a registered trademark of the First Alert Trust
BRK is a registered trademark of BRK Brands, Inc.
Foray is a registered trademark of Ansul, Inc.
CM3016