

USB to Serial Adapter Hub

(ID-SC0511-S1/ID-SC0611-S1/ID-SC0711-S1/ID-SC0811-S1)

User's Manual

Copyright Statement

No part of this publication may be reproduced in any form by any means without the prior written permission. Other trademarks or brand names mentioned herein are trademarks or registered trademarks of their respective companies.

Disclaimer

Information in this document is subject to change without notice. The manufacturer does not make any representations or warranties (implied or otherwise) regarding the accuracy and completeness of this document and shall in no event be liable for any loss of profit or any commercial damage, including but not limited to special, incidental, consequential, or other damage.

Safety Instructions

Always read the safety instructions carefully

- Keep this User's Manual for future reference
- Keep this equipment away from humidity
- If any of the following situation arises, get the equipment checked by a service technician:
 - The equipment has been exposed to moisture.
 - The equipment has been dropped and damaged.
 - The equipment has obvious sign of breakage.
 - The equipment has not been working well or you cannot get it work according to User's Manual.

1. Introduction

USB-to-Serial converter provides an easy solution connection serial port as needed for systems. USB-to-Serial functions as a converter between a USB port and standard serial ports. We can easily connect this converter to the USB port on your PC or USB hub and get access to any RS-232 devices such as PDAs, scanners, printers, etc. This device is suitable for portable devices, equipments, sales-end applications.

Features

- Compliant with USB 2.0 specification, Hi-Speed USB data transfer rates up to 480Mb/s
- No extra U/O or IRQ required
- Support serial port data transfer rates up to 921.6 Kb/s
- Serial ports with 512 byte FIFO, hardware and software flow control support
- Support USB plug-and-play
- USB bus-power, no external power adapter required (Except ID-SC0811-S1)
- 15KVDC ESD immunity to serial interface
- Wall mount support

Package Content

Before installation, please check the package contains the following items:

- USB-to-RS232 Device x1
- USB cable x1
- CD (Driver and User's manual) x1

Extra for ID-SC0811-S1 only

- RJ-45 to RS-232 Cable x8
- Power Adapter x1

System Requirement

- IBM compatible computer or Mac
- Windows 2000, Windows XP, Windows Vista 32/64-bit, Windows 7, Mac 10.x
- An available USB port
- 64 MB RAM or higher
- Pentium[®] 233 MHz or higher

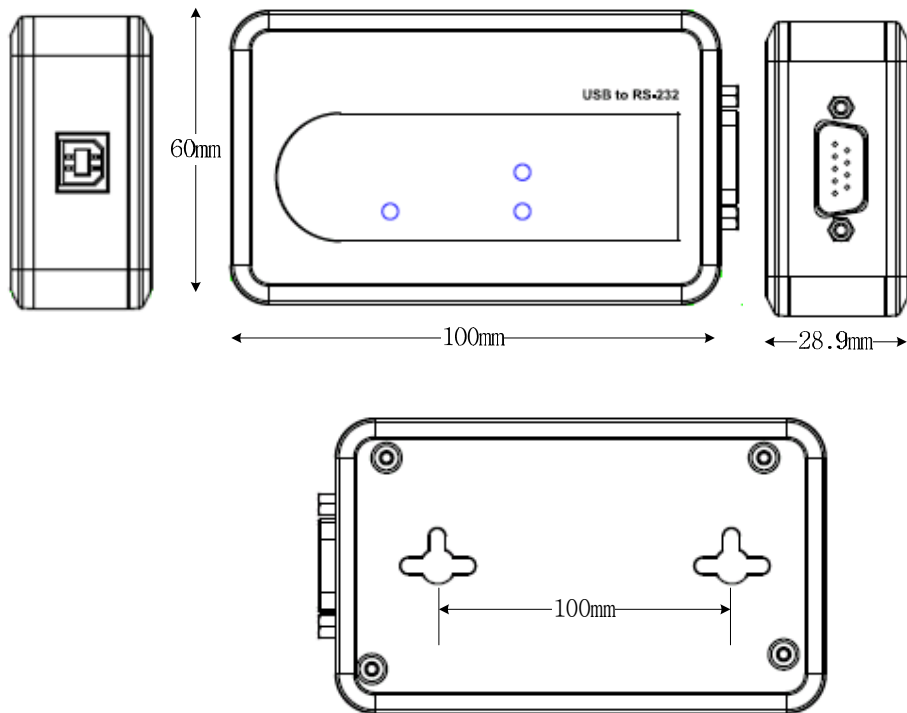
2. Specifications

Serial Ports	1xRS-232 (ID-SC0511-S1)
	2xRS-232 (ID-SC0611-S1)
	4xRS-232 (ID-SC0711-S1)
	8xRS-232 (ID-SC0811-S1)
Connectors	DB9 male (ID-SC0511-S1/SC0311-S1/SC0411-S1)
	8-pin RJ-45 (ID-SC0811-S1)
FIFO Buffers	512 bytes
ESD Protection	15 KV ESD
Serial Communication Speed	50 b/s ~ 921.6Kb/s
Interface	USB 2.0
Interface Connector	USB-B female
Power Requirements	Bus-Power (ID-SC0511-S1/SC0311-S1/SC0411-S1)
	5V/3A DC (ID-SC0811-S1)
Operation Temperature	0°C to 55°C
Operating Humidity	5 to 95% RH)
Dimensions (LxWxH)	100x60x29mm (ID-SC0511-S1/ID-SC0611-S1)
	195x80x38mm (ID-SC0711-S1/ID-SC0811-S1)
Regulatory Approvals	FCC/CE

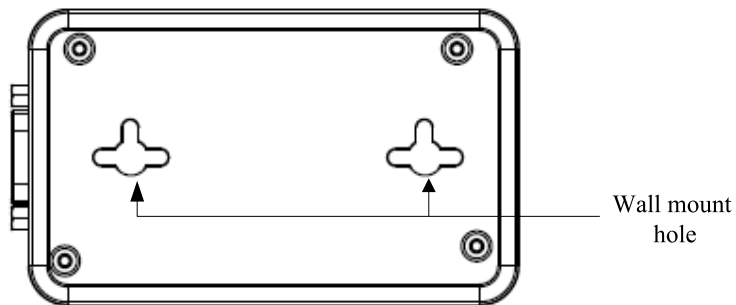
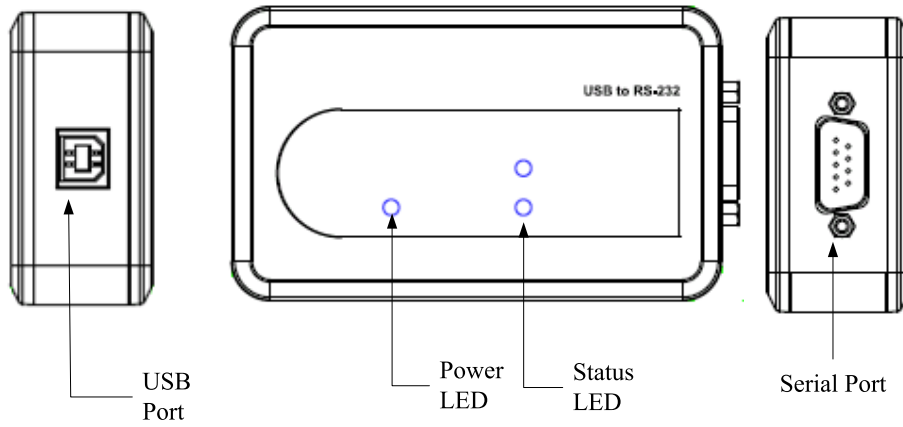
* Specification is subject to change without notice

USB to 1-port RS-232 Hub

Hardware Dimension

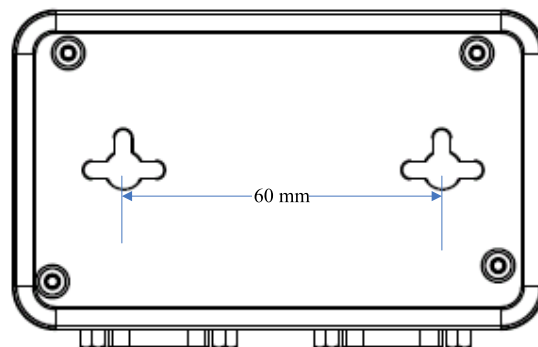
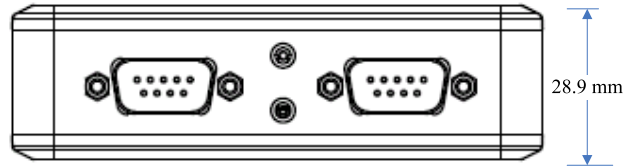
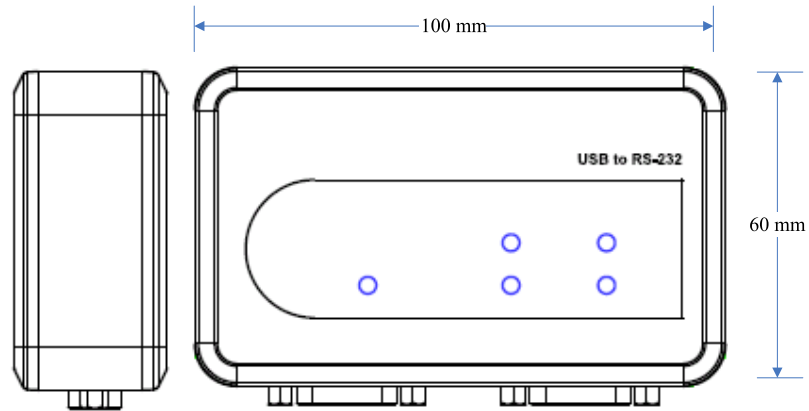


Hardware Introduction

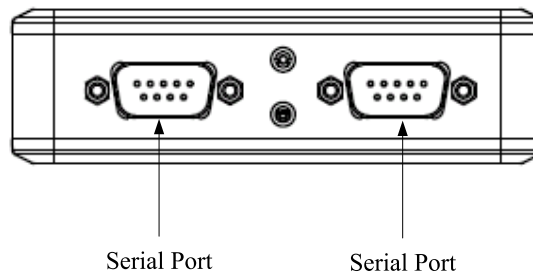
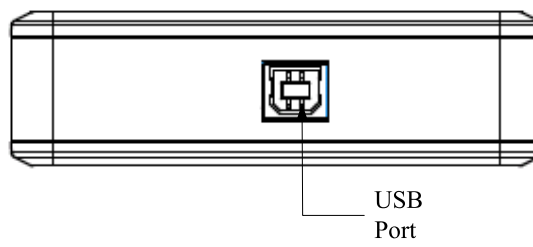
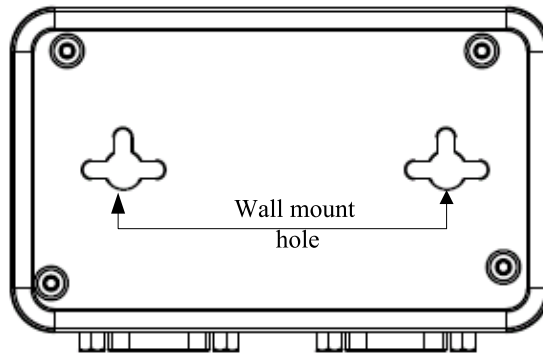
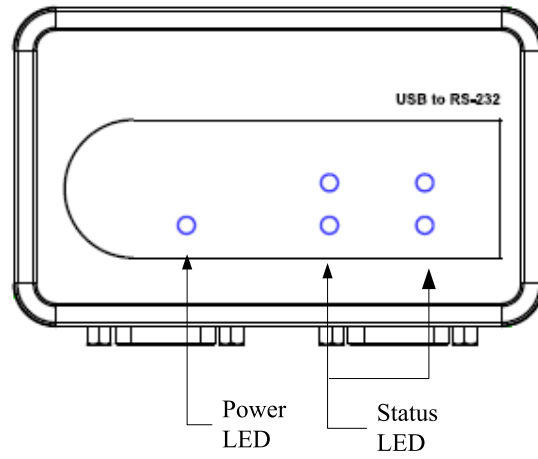


USB to 2-port RS-232 Hub

Hardware Dimension

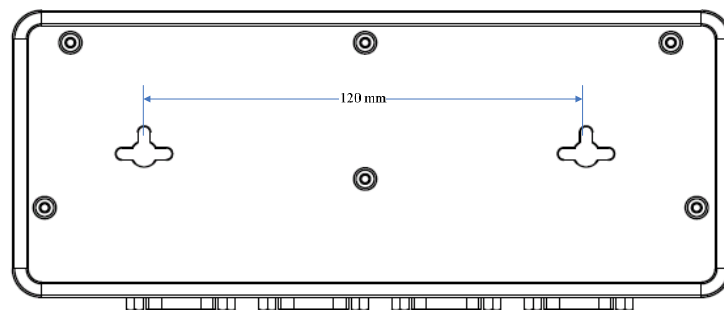
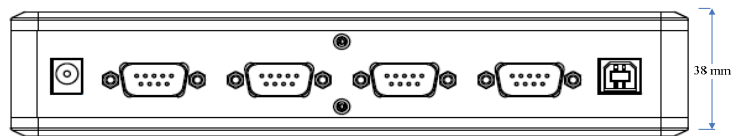
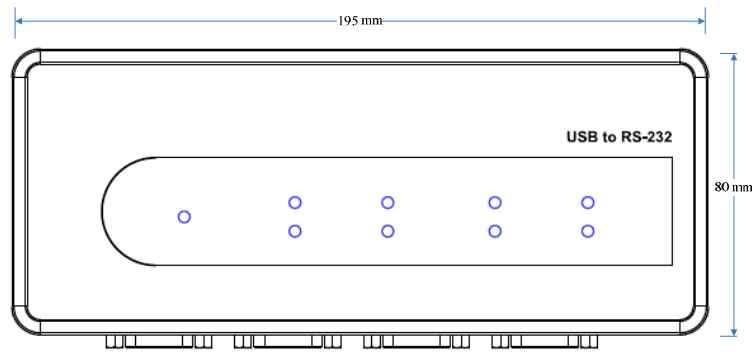


Hardware Introduction

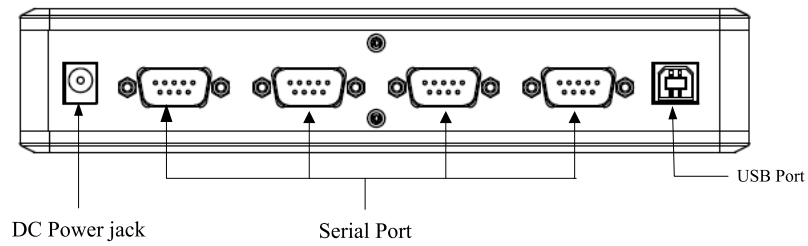
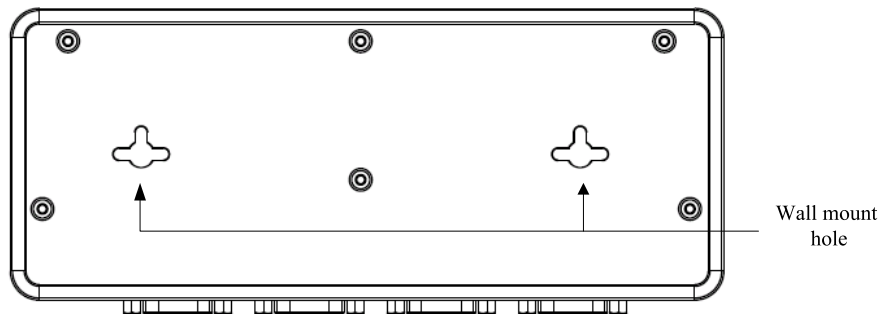
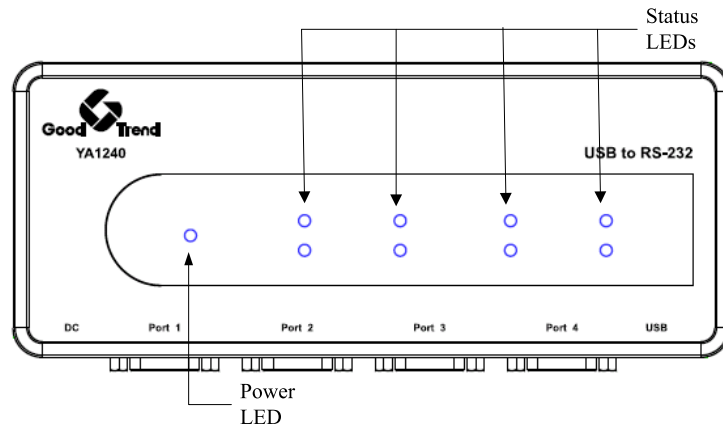


USB to 4-port RS-232 Hub

Hardware Dimension

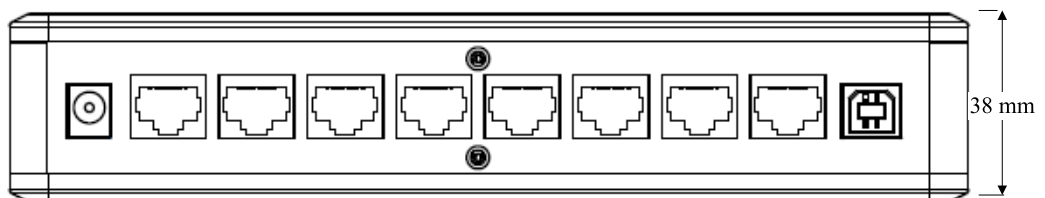
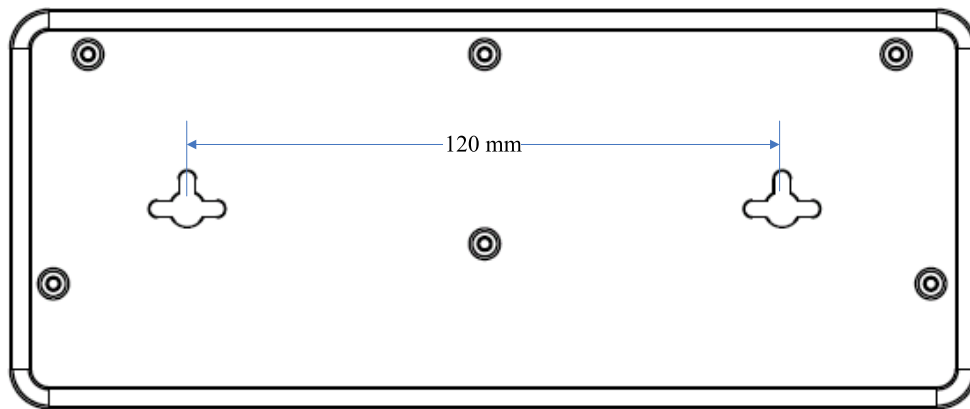
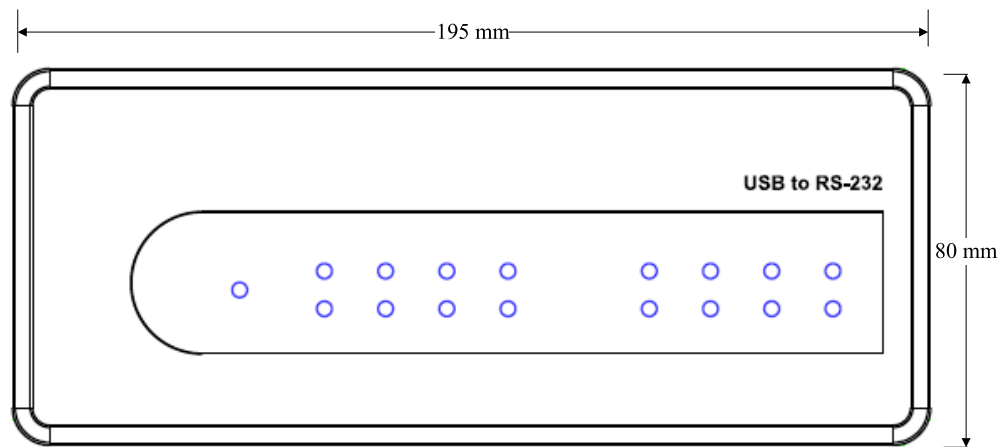


Hardware Introduction

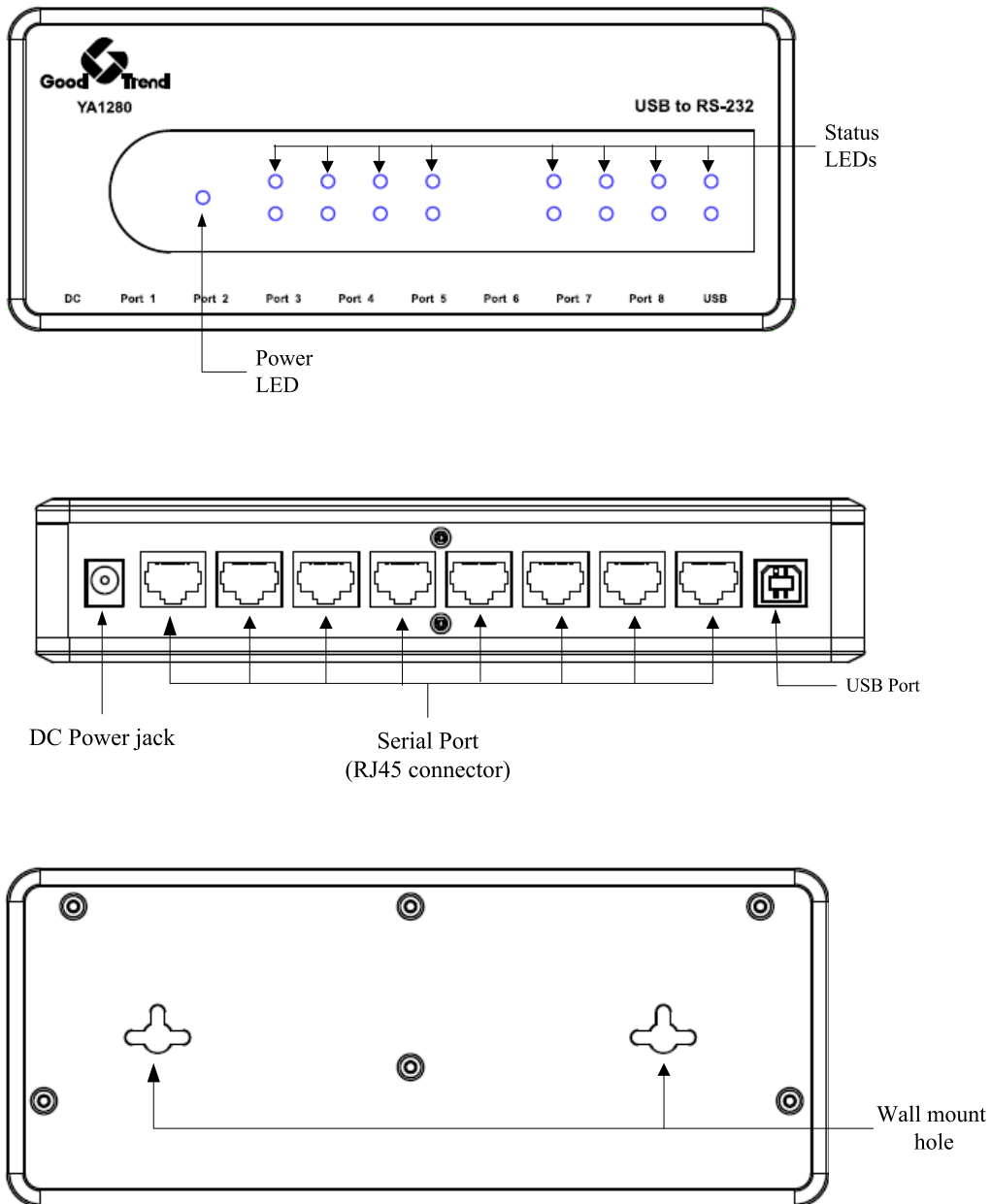


USB to 8-port RS-232 Hub

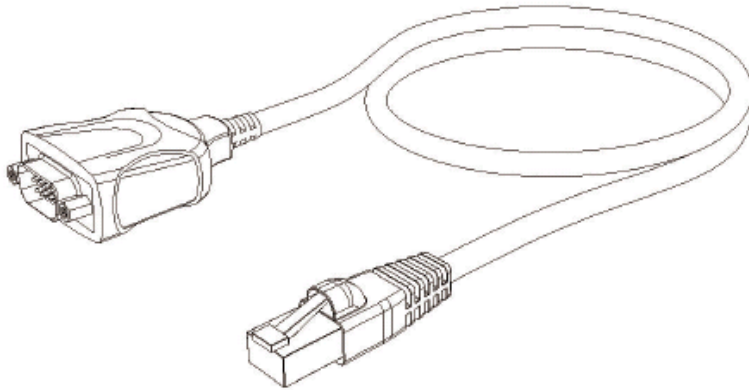
Hardware Dimension



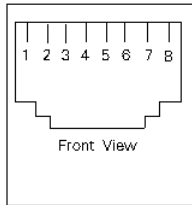
Hardware Introduction



RJ45 to RS-232 Cable (ID-SC0811-S1 only)



RJ45 Pin Assignment



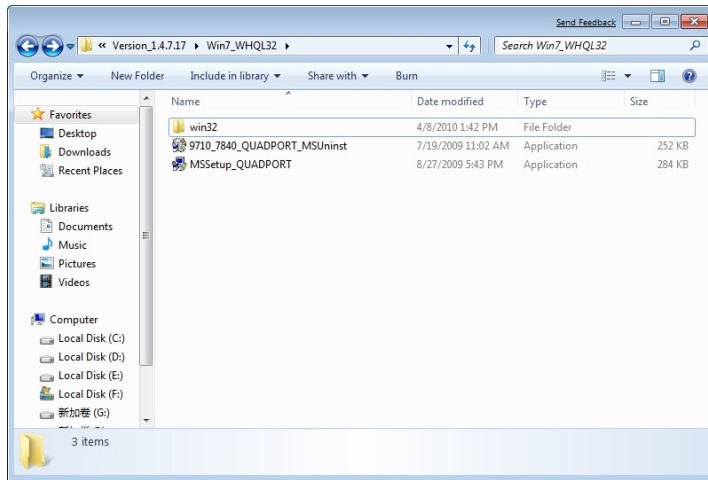
Pin No.	Signal
1	DSR
2	RTS
3	GND
4	TX
5	RX
6	DCD
7	CTS
8	DTR

3. Installation

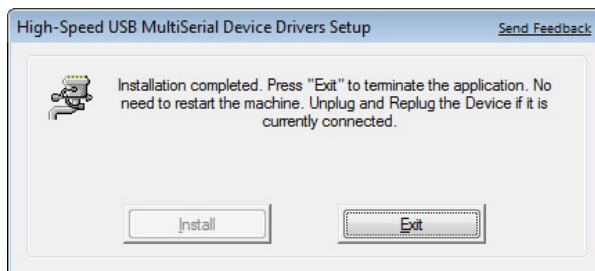
On Windows 2000/ Windows XP/ Windows Vista / Windows 7

Note: DO NOT connect the Serial to USB Device to computer before installing the driver.

1. Please insert the provided CD into CD-ROM and click driver setup file to install.



2. Please click **“Finish”** to process driver installation.

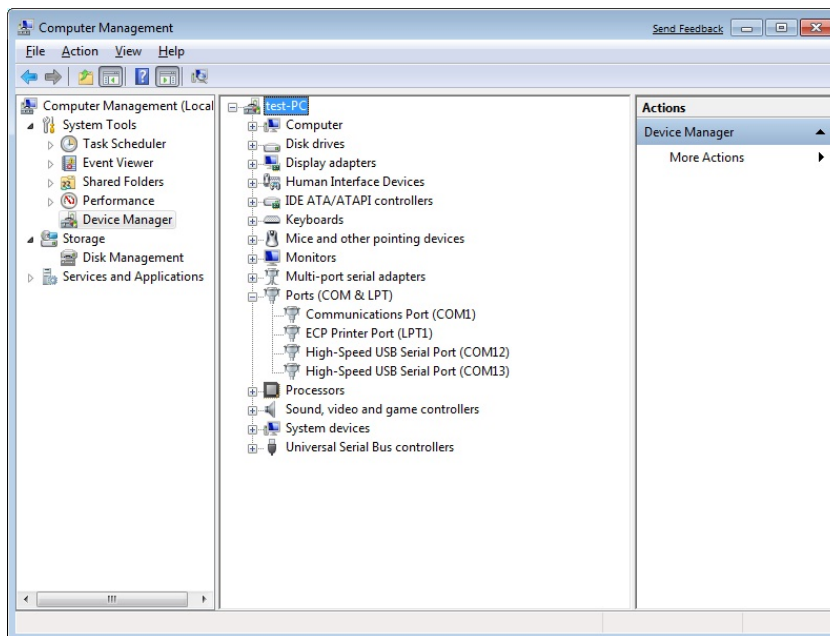


When the installation completed, please connect the USB to Serial Converter to available USB port.

Installation Verification

To verify your installation, please launch Device Manager as following:

- Under Windows[®] 2000/ Windows[®] XP operating system: Right-Click **My Computer** and select **Properties** > **System** > **(Hardware)** > **Device Manager**.
 - Under Windows Vista[®]/ Windows[®] 7 operating system: Right-Click **My Computer** and select **Properties** > **Device Manager**
- The **High-Speed USB Serial Port** should be displayed under the **Ports (COM & LPT)** group.



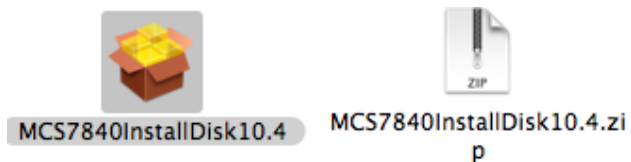
On Mac® OS X

Support Mac Driver Installation:

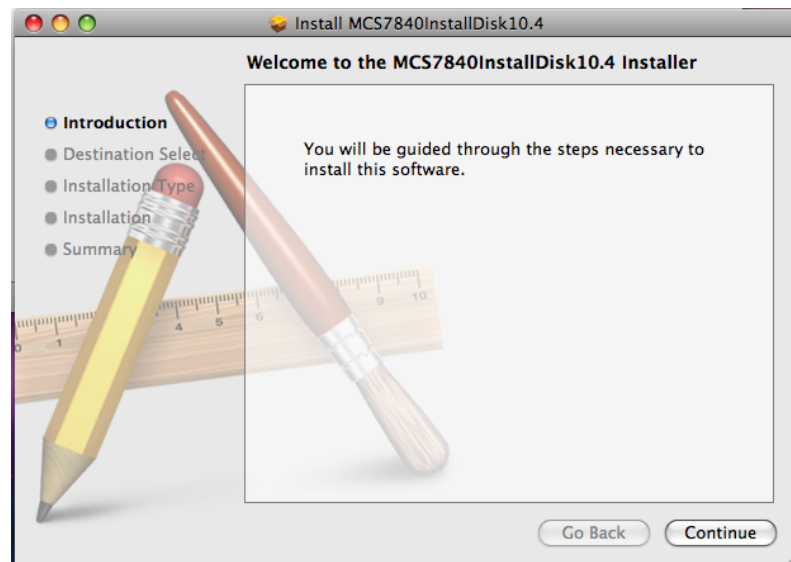
- Mac OS® X v10.1 and later for PowerPC Mac
- Mac OS® X v10.4 and later for Intel Mac

Installation:

1. Insert the provided driver CD into your CD-ROM drive. Double-click the CD and navigate to the directory of **\Driver\Mac\Mac_OS X 10.x\MCS7840InstallDisk 10.4 zip**. Please extract the zip file first.



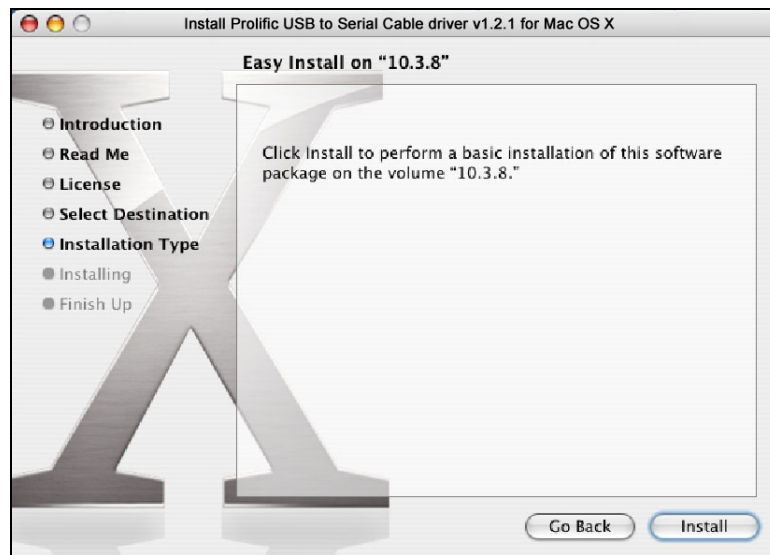
2. Please click **“Continue”** to install driver.



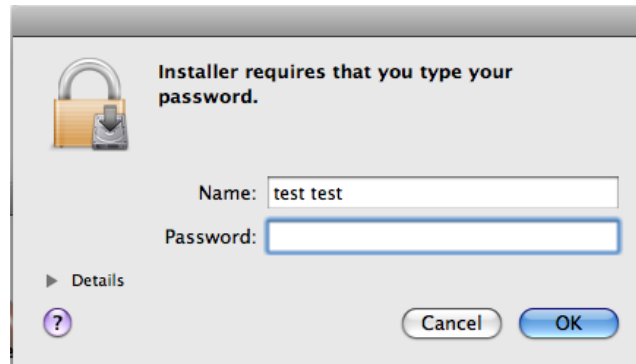
3. When the screen below appears, please choose the destination volume that you want to install and click **Continue**.



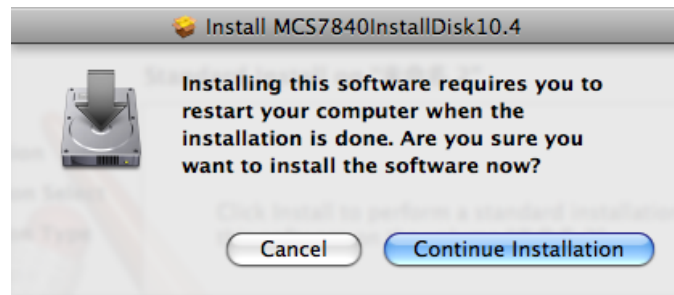
4. Please click **“Install”** to perform a basic installation.



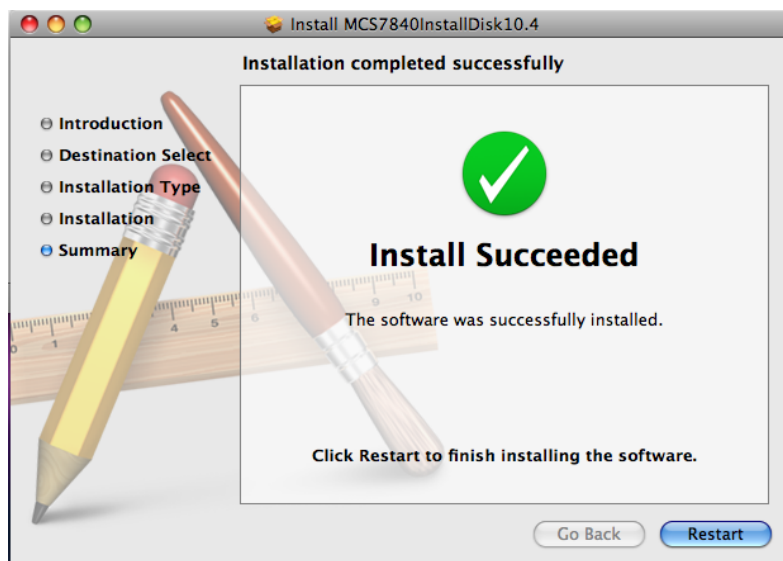
5. Please enter your password as prompted.



6. Please select **Continue Installation** to install the software when the screen below prompted.

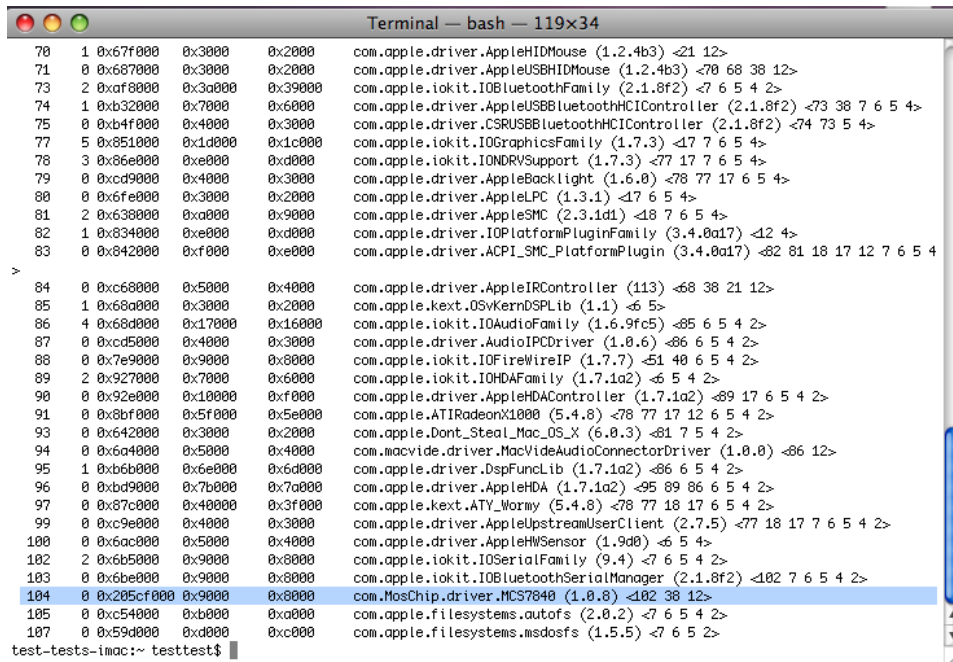
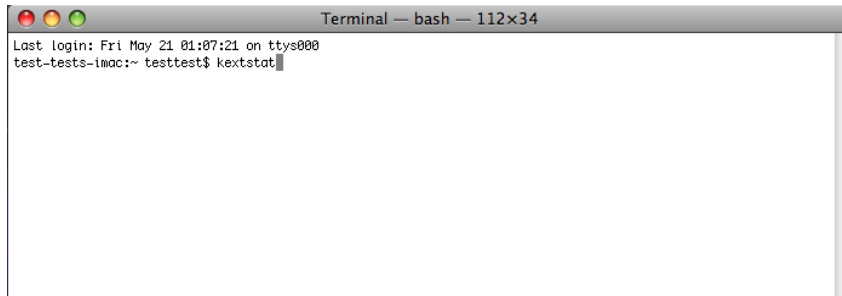


7. Please click **Restart** to reboot the Mac.



8. Please connect the device to available USB port to your Mac.

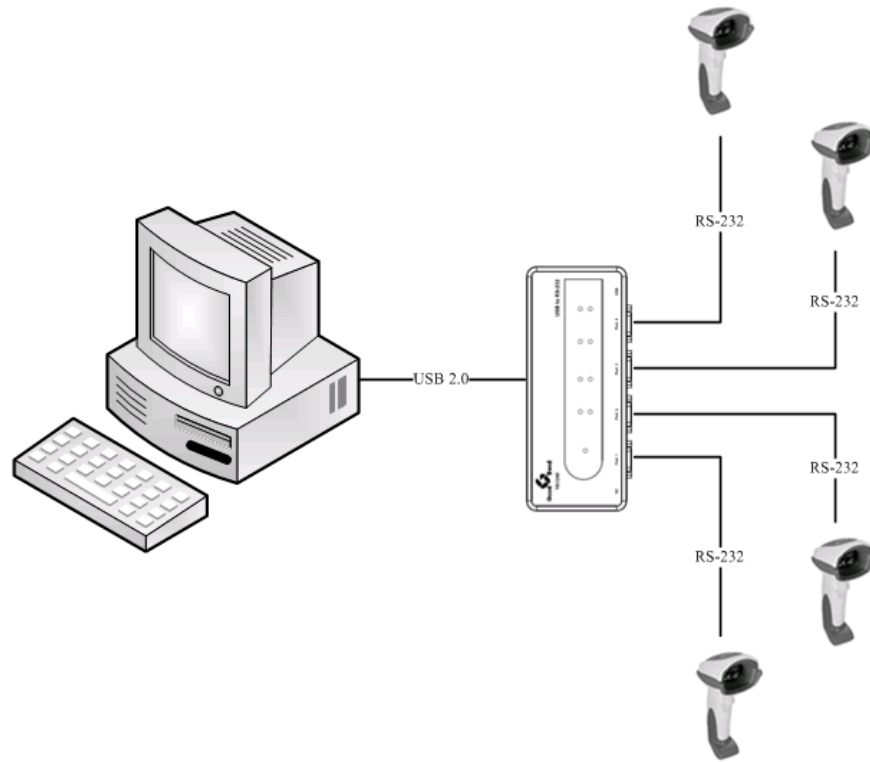
9. Installation Verification: Please key in “kextstat” to terminal bash.



When above dialog box appears, it means the driver installation has been installed successfully.

Connect Serial Port Device

Now you can connect your RS-232 device through the device.



Blank Page

Technical Support and Warranty

QUESTIONS? SIIG's **Online Support** has answers! Simply visit our web site at www.siig.com and click **Support**. Our online support database is updated daily with new drivers and solutions. Answers to your questions could be just a few clicks away. You can also submit questions online and a technical support analyst will promptly respond.

SIIG offers a 3-year manufacturer warranty with this product. This warranty covers the original purchaser and guarantees the product to be free of any defects in materials or workmanship for three (3) years from the date of purchase of the product.

SIIG will, at our discretion, repair or replace (with an identical product or product having similar features and functionality) the product if defective in materials or workmanship. This warranty gives you specific legal rights, and you may also have other rights which vary from state to state. Please see our web site for more warranty details.

If you encounter any problems with this product, please follow the procedures below.

- A) If it is within the store's return policy period, please return the product to the store where you purchased it.
- B) If your purchase has passed the store's return policy period, please follow these steps to have the product repaired or replaced.

Step 1: Submit your RMA request. Go to www.siig.com, click **Support**, then **RMA** to submit a request to [SIIG RMA](#) or fax a request to 510-657-5962. Your RMA request will be processed, if the product is determined to be defective, an RMA number will be issued.

Step 2: After obtaining an RMA number, ship the product.

- Properly pack the product for shipping. All software, cable(s) and any other accessories that came with the original package must be included.
- Clearly write your RMA number on the top of the returned package. SIIG will refuse to accept any shipping package, and will not be responsible for a product returned without an RMA number posted on the outside of the shipping carton.
- You are responsible for the cost of shipping to SIIG. Ship the product to the following address:
SIIG, Inc.
6078 Stewart Avenue
Fremont, CA 94538-3152, USA
RMA #: _____
- SIIG will ship the repaired or replaced product via Ground in the U.S. and International Economy outside of the U.S. at no cost to the customer.

About SIIG, Inc.

Founded in 1985, SIIG, Inc. is a leading manufacturer of IT connectivity solutions (including Serial ATA and Ultra ATA Controllers, FireWire, USB, and legacy I/O adapters) that bridge the connection between Desktop/Notebook systems and external peripherals. SIIG continues to grow by adding A/V and Digital Signage connectivity solutions to our extensive portfolio. All centered around the distribution and switching of A/V signals over CAT5/6, these products include matrix switches, distribution amplifiers, extenders, converters, splitters, cabling, and more.

SIIG is the premier one-stop source of upgrades and is committed to providing high quality products while keeping economical and competitive prices. High-quality control standards are evident by one of the lowest defective return rates in the industry. Our products offer comprehensive user manuals, user-friendly features, and most products are backed by a lifetime warranty.

SIIG products can be found in many computer retail stores, mail order catalogs, and e-commerce sites in the Americas, as well as through major distributors, system integrators, and VARs.

PRODUCT NAME

USB to Serial Adapter Hub

FCC RULES: TESTED TO COMPLY WITH FCC PART 15, CLASS B OPERATING ENVIRONMENT: FOR HOME OR OFFICE USE

FCC COMPLIANCE STATEMENT:

This device complies with part 15 of the FCC Rules. Operation is subject to the following two conditions: (1) This device may not cause harmful interference, and (2) this device must accept any interference received, including interference that may cause undesired operation.

THE PARTY RESPONSIBLE FOR PRODUCT COMPLIANCE

SIIG, Inc.

6078 Stewart Avenue

Fremont, CA 94538-3152, USA

Phone: 510-657-8688

USB to Serial Adapter Hub is a trademark of SIIG, Inc. SIIG and the SIIG logo are registered trademarks of SIIG, Inc. Microsoft and Windows are registered trademarks Microsoft Corporation. All other names used in this publication are for identification only and may be trademarks of their respective owners.

April, 2011

Copyright © 2011 by SIIG, Inc. All rights reserved.