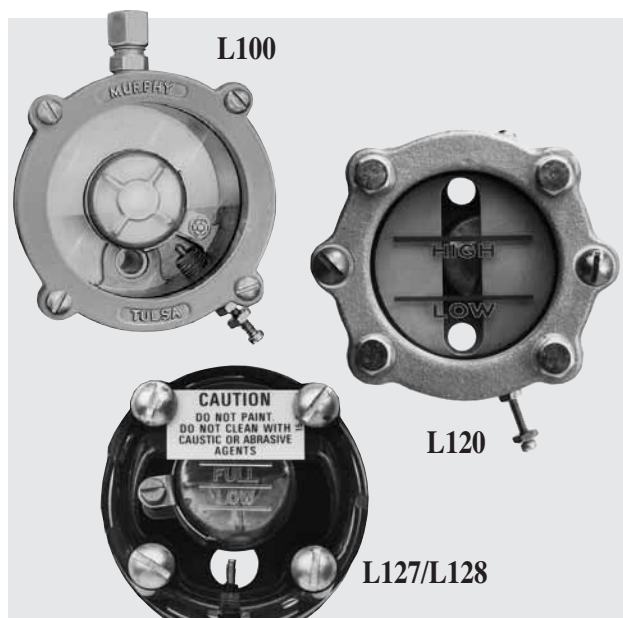


Float Actuated Oil Level Swichgage[®] instrument

L-5937B
Revised 06-06
Catalog Section 15



For Small Engines and Pumps

- See Oil Level and Condition Without Shutting Down
- Shutdown or Alarm on Low Lube Level
- Adjustable Limit Switch for Alarm and/or Shutdown
- Save on Reduced Downtime and Repair Costs
- Simple Installation



Description

These float actuated Oil Level Swichgage instruments are a combination oil level sight gage and adjustable, low and/or high limit switch. The limit switches are normally open during operation—yet close if the level drops or rises to where the float contacts the limit screw. The contact completes a circuit to ground a magneto or trip a Murphy magnetic switch. The magnetic switch can be used to activate alarms and/or shutdown. Models are also available without limit switches.

Application

The level instruments described above can be used on a variety of crankcases, pump gearcases, or oil reservoirs—primarily on small engines and pumps. The following list displays the model and its typical application:

- L100[†]**: Small engines and pumps with non-vented crankcase.
- L100W[†]**: Small engines and pumps with vented crankcase.
- L120[†]**: Machined surface on crankcase such as Witte, National-Oilwell/Garland.
- L127[†]**: Machined surface on crankcase, specifically, Fairbanks-Morse ZC Series and Bell Engines.
- L128[†]**: Machined surface on crankcase, specifically, Arrow and Continental Emsco/Climax.

Specifications

- **Maximum Pressure Rating (all models):**
30 psi (207 kPa) [2.07 bar]
- **L100 and L100W**
Case: Die cast aluminum
Float: Brass
Rating: 2 A @ 30 VAC/DC
Vent Fitting: 1/4 in. (6 mm) tube x 1/8 NPT
Inlet Fitting: Hex Nipple 1/4 NPT
Hardware (shipped loose)
L100:
 - Copper Tubing: 1/4 x 48 in. dia. (6 mm x 1.2 m)
 - Reducer Bushing: 1/2 NPT x 1/4 NPT
 - Close Nipple: 1/2 NPT
 - Tee: 1/2 NPT, black pipe
 - Wire: 16 AWG x 24 in. (1.5 mm² x 610 mm)**L100W:**
 - Vent Tube: 1/4 x 3-3/8 in. (6 x 86 mm)
 - Reducer Bushing: 3/4 NPT x 1/4 NPT
 - Close Nipple: 3/4 NPT
 - Tee: 3/4 NPT, black pipe
 - Wire: 16 AWG x 24 in. (1.5 mm² x 610 mm)
- **L120**
Case: Cast Aluminum
Float: Brass
Rating: 2 A @ 30 VAC/DC
Mounting Bolts: 1/4-20 UNC-2A (4 req'd)

■ L127 and L128

- Case:** TROGAMID[®] Nylon
- Float:** Brass
- Rating:** 2 A @ 30 VAC/DC
- Wire:** 16 AWG x 48 in. (1.5 mm² x 1.2 m)
- Mounting Bolts:**
 - L127: 1/4-20 NC x 2 in. (4 required)
 - L128: 3/8-16 NC x 3/4 in. (2 required)

Warranty

A limited warranty on materials and workmanship is given with this FW Murphy product. A copy of the warranty may be viewed or printed by going to www.fwmurphy.com/support/warranty.htm

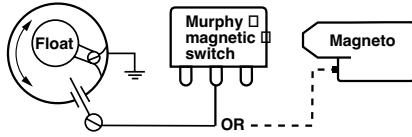
[†] Models available with high and low options. See *How to Order* on reverse side.

**Products covered by this bulletin comply with EMC Council directive 89/336/EEC regarding electromagnetic compatibility except as noted.



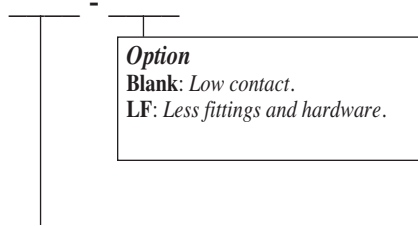
Typical Wiring Diagram

Below is a typical wiring diagram for a level Switchgauge instrument. A Switchgauge instrument can be connected to a Murphy magnetic switch or magneto. Switch Contact Rating is 2 A @ 30 VAC/DC resistive.



How to Order

Specify base model designator and options in sequence shown below. Example: **L100-HL**.



Base Model (refer to "Application" section)

L100: Sight gage with low limit switch.

L100W: Same as L100 except fittings.

L120: Sight gage with low limit switch.

L127: Sight gage with low limit switch.

L128: Sight gage with low limit switch.

Specify part number when ordering Repair Parts or Kit. Example: **15000181**

Repair Kit L100 and L100W:

15000103: Consists of glass, gasket, 4 screws, contact assembly, and float assembly.

Repair Parts L120 :

15010186: Contact screw assembly.

15010234: Float assembly.

Repair Kits L127 and L128:

15000180: Includes case, contact, 4 mounting bolts, and 2 gaskets.

15000181 (L127 only): Includes 4 mounting bolts, 2 gaskets, float assembly, ground strip, wire, and mounting plate.

15000188 (L128 only): L128 less case assembly.

Dimensions

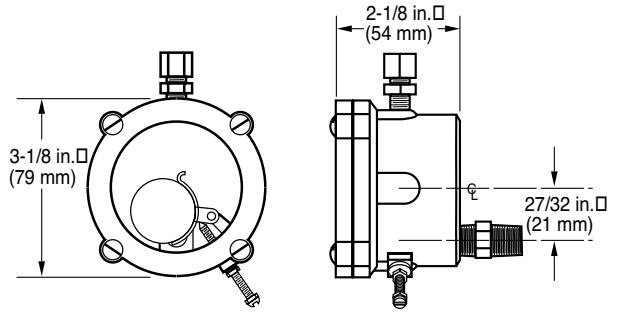
L100 and L100W

Shipping Dimensions:

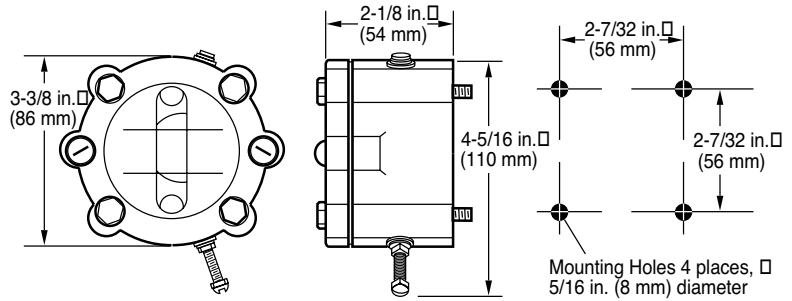
- L100: 5-1/4 x 5-1/4 x 5-1/2 in. (133 x 133 x 140 mm)
- L100W: 4-3/4 x 4-3/4 x 3-1/4 in. (121 x 121 x 83 mm)

Shipping Weight:

- L100: 2 lbs. (0.91 kg)
- L100W: 2 lbs. (0.91 kg)



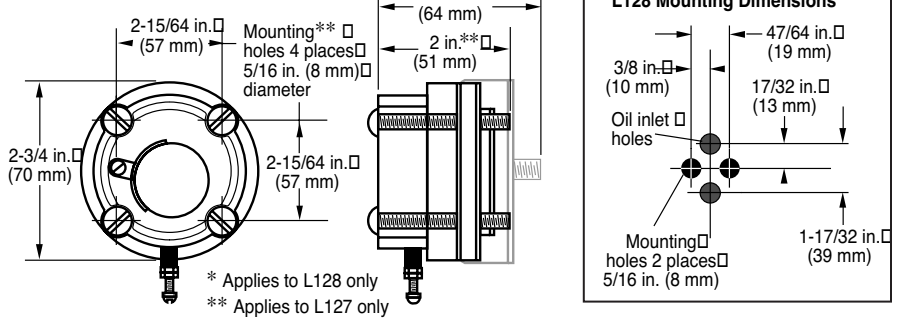
L120



Shipping Weight: 1 lb 8 oz (0.68 kg)

Shipping Dimensions: 4-3/4 x 4-3/4 x 3-1/4 in. (121 x 121 x 83 mm)

L127 and L128



Shipping Weight:

- L127: 8 oz (0.23 kg)
- L128: 10 oz (0.36 kg)

Shipping Dimensions (L127 and L128):

4-3/4 x 4-3/4 x 3-1/4 in. (121 x 121 x 83 mm)

MURPHY
www.fwmurphy.com

918.317.4100 Email: sales@fwmurphy.com

In order to consistently bring you the highest quality, full featured products, we reserve the right to change our specifications and designs at any time. MURPHY, the Murphy logo, and Switchgauge® are registered and/or common law trademarks of Murphy Industries, Inc. This document, including textual matter and illustrations, is copyright protected by Murphy Industries, Inc., with all rights reserved. (c) 2006 Murphy Industries, Inc.