

A decorative graphic on the left side of the page, featuring a large dashed circle, a solid blue circle, and several overlapping curved lines in blue and grey.

Product Manual

Momentum 5400.6 SATA

ST9500325AS

ST9320325AS

ST9250315AS

ST9160314AS

ST9120315AS

ST9500325ASG

ST9320325ASG

ST9250315ASG

ST9160314ASG

100528359
Rev. A
September 2008

Copyright © 2008 Seagate Technology LLC. All rights reserved. Printed in U.S.A.

Publication number: 100528359, Rev. A September 2008

Seagate, Seagate Technology and the Wave logo are registered trademarks of Seagate Technology LLC in the United States and/or other countries. Momentus, SeaTools and SeaTDD are either trademarks or registered trademarks of Seagate Technology LLC or one of its affiliated companies in the United States and/or other countries. All other trademarks or registered trademarks are the property of their respective owners.

One gigabyte, or GB, equals one billion bytes when referring to hard drive capacity. Accessible capacity may vary depending on operating environment and formatting. Quantitative usage examples for various applications are for illustrative purposes. Actual quantities will vary based on various factors, including file size, file format, features and application software. Seagate reserves the right to change, without notice, product offerings or specifications.

Contents

| | | |
|------------|--|-----------|
| 1.0 | Introduction | 1 |
| 1.1 | About the Serial ATA interface | 2 |
| 2.0 | Drive specifications | 3 |
| 2.1 | Specification summary table | 3 |
| 2.2 | Formatted capacity | 5 |
| 2.2.1 | LBA mode | 5 |
| 2.3 | Default logical geometry | 5 |
| 2.4 | Physical organization | 6 |
| 2.5 | Recording and interface technology | 6 |
| 2.6 | Physical characteristics | 6 |
| 2.7 | Seek time | 7 |
| 2.8 | Start/stop times | 7 |
| 2.9 | Power specifications | 8 |
| 2.9.1 | Power consumption | 8 |
| 2.9.2 | Deferred spinup | 9 |
| 2.9.3 | Conducted noise | 9 |
| 2.9.4 | Voltage tolerance | 9 |
| 2.9.5 | Power-management modes | 10 |
| 2.10 | Environmental specifications | 11 |
| 2.10.1 | Ambient temperature | 11 |
| 2.10.2 | Temperature gradient | 11 |
| 2.10.3 | Humidity | 11 |
| 2.10.4 | Altitude | 11 |
| 2.10.5 | Shock | 12 |
| 2.10.6 | Vibration | 12 |
| 2.11 | Acoustics | 13 |
| 2.12 | Electromagnetic immunity | 13 |
| 2.13 | Reliability | 14 |
| 2.13.1 | Free Fall Protection feature | 14 |
| 2.14 | Agency certification | 14 |
| 2.14.1 | Safety certification | 14 |
| 2.14.2 | Electromagnetic compatibility | 14 |
| 2.14.3 | FCC verification | 15 |
| 2.15 | Environmental protection | 16 |
| 2.15.1 | European Union Restriction of Hazardous Substances (RoHS) | 16 |
| 2.15.2 | China Restriction of Hazardous Substances (RoHS) Directive | 16 |
| 2.16 | Corrosive environment | 16 |
| 3.0 | Configuring and mounting the drive | 17 |
| 3.1 | Handling and static-discharge precautions | 17 |
| 3.2 | Configuring the drive | 18 |
| 3.3 | Serial ATA cables and connectors | 18 |
| 3.4 | Drive mounting | 19 |
| 4.0 | Serial ATA (SATA) interface | 21 |
| 4.1 | Hot-Plug compatibility | 21 |
| 4.2 | Serial ATA device plug connector pin definitions | 21 |
| 4.3 | Supported ATA commands | 23 |
| 4.3.1 | Identify Device command | 26 |
| 4.3.2 | Set Features command | 29 |
| 4.3.3 | S.M.A.R.T. commands | 31 |
| 5.0 | Seagate Technology support services | 33 |

List of Figures

| | | |
|-----------|--|----|
| Figure 1. | Typical +5V only startup and operation current profile | 9 |
| Figure 2. | Serial ATA connectors | 18 |
| Figure 3. | Attaching SATA cabling | 18 |
| Figure 4. | Mounting dimensions—top, side and end view | 20 |

1.0 Introduction

This manual describes the functional, mechanical and interface specifications for the following Seagate Momentus® 5400.6 SATA model drives:

- ST9500325AS
- ST9500325ASG
- ST9320325AS
- ST9320325ASG
- ST9250315AS
- ST9250315ASG
- ST9160314AS
- ST9160314ASG
- ST9120315AS

These drives provide the following key features:

- 5,400-RPM spindle speed.
- 8-Mbyte buffer.
- Free Fall Protection (ST9500325ASG, ST9320325ASG, ST9250315ASG and ST9160314ASG models only)
- Quiet operation. Fluid Dynamic Bearing (FDB) motor.
- High instantaneous (burst) data-transfer rates (up to 3.0 Gbits/sec).
- Perpendicular recording technology.
- State-of-the-art cache and on-the-fly error-correction algorithms.
- Native Command Queuing (NCQ) with command ordering.
- Full-track multiple-sector transfer capability without local processor intervention.
- 1,000 Gs nonoperating shock and 350 Gs of operating shock.
- SeaTools diagnostic software performs a drive self-test that eliminates unnecessary drive returns.
- The 3D Defense System™, which includes Drive Defense, Data Defense and Diagnostic Defense, offers the industry's most comprehensive protection for disc drives.
- Support for S.M.A.R.T. drive monitoring and reporting.
- Support for Read Multiple and Write Multiple commands.

1.1 About the Serial ATA interface

The Serial ATA interface provides several advantages over the traditional (parallel) ATA interface. The primary advantages include:

- Easy installation and configuration with true plug-and-play connectivity. It is not normally necessary to set any jumpers or other configuration options.
- Thinner and more flexible cabling for improved enclosure airflow and ease of installation.
- Scalability to higher performance levels.

In addition, Serial ATA makes the transition from parallel ATA easy by providing legacy software support. Serial ATA was designed to allow you to install a Serial ATA host adapter and Serial ATA disc drive in your current system and expect all of your existing applications to work as normal.

The Serial ATA interface connects each disc drive in a point-to-point configuration with the Serial ATA host adapter. There is no master/slave relationship with Serial ATA devices like there is with parallel ATA. If two drives are attached on one Serial ATA host adapter, the host operating system views the two devices as if they were both “masters” on two separate ports. This essentially means both drives behave as if they are Device 0 (master) devices.

Note. The host adapter may, optionally, emulate a master/slave environment to host software where two devices on separate Serial ATA ports are represented to host software as a Device 0 (master) and Device 1 (slave) accessed at the same set of host bus addresses. A host adapter that emulates a master/slave environment manages two sets of shadow registers. This is not a typical Serial ATA environment.

The Serial ATA host adapter and drive share the function of emulating parallel ATA device behavior to provide backward compatibility with existing host systems and software. The Command and Control Block registers, PIO and DMA data transfers, resets, and interrupts are all emulated.

The Serial ATA host adapter contains a set of registers that shadow the contents of the traditional device registers, referred to as the Shadow Register Block. All Serial ATA devices behave like Device 0 devices. For additional information about how Serial ATA emulates parallel ATA, refer to the “Serial ATA: High Speed Serialized AT Attachment” specification. The specification can be downloaded from <http://www.serialata.org>.

2.0 Drive specifications

Unless otherwise noted, all specifications are measured under ambient conditions, at 25°C, and nominal power. For convenience, the phrases *the drive* and *this drive* are used throughout this manual to indicate the Momentus 5400.6 SATA models.

2.1 Specification summary table

The specifications listed in this table are for quick reference. For details on specification measurement or definition, see the appropriate section of this manual.

Table 1: Drive specifications

| Drive specification | ST9500325AS ST9500325ASG | ST9320325AS ST9320325ASG | ST9250315AS ST9250315ASG | ST9160314AS ST9160314ASG | ST9120315AS |
|---|--|-----------------------------|-----------------------------|-----------------------------|-------------|
| Formatted Gbytes (512 bytes/sector)* | 500 | 320 | 250 | 160 | 120 |
| Guaranteed sectors | 976,773,168 | 625,142,448 | 488,397,168 | 312,581,808 | 234,441,648 |
| Bytes per sector | 512 | | | | |
| Physical read/write heads | 4 | 3 | 2 | 2 | 1 |
| Discs | 2 | 2 | 1 | 1 | 1 |
| Cache (Mbytes) | 8 | | | | |
| Recording density in BPI (bits/inch avg) | 1,490k | | | | |
| Track density TPI (tracks/inch avg) | 265k | | | | |
| Areal density (Gbits/inch ² avg) | 394 | | | | |
| Spindle speed (RPM) | 5,400 | | | | |
| Average latency (msec) | 5.6 | | | | |
| Internal transfer rate (Mbits/sec max) | 1,175 | | | | |
| I/O data transfer rate (Mbytes/sec max) | 300 | | | | |
| ATA data-transfer modes supported | SATA 1.0, Serial ATA Revision 2.6 PIO modes 0–4 Multiword DMA modes 0–2 Ultra DMA modes 0–6 | | | | |
| Height (max) | 9.5 +/- 0.2 mm (0.374 +/- .0078 inches) | | | | |
| Width (max) | 69.85 mm +/- 0.25 mm (2.75 +/- 0.0098 inches) | | | | |
| Length (max) | 100.35 + 0.35 / - 0.25 mm (3.957 + 0.079 / - 0.0098 inches) | | | | |
| Weight (max) | 98.8 grams (0.218 lb) | | 93.5 grams (0.206 lb) | | |
| Power-on to ready (sec typical) | 3.6 | | | | |
| Power-on to ready (sec max) | 3.8 | | | | |
| Standby to ready (sec typical) | 1.8 | | | | |
| Standby to ready (sec max) | 2 | | | | |
| Track-to-track seek time, read (msec typical) | 1 | | | | |
| Average seek, read (msec typical) | 14 | | | | |

Table 1: Drive specifications

| Drive specification | ST9500325AS ST9500325ASG | ST9320325AS ST9320325ASG | ST9250315AS ST9250315ASG | ST9160314AS ST9160314ASG | ST9120315AS |
|--|---|-----------------------------|-----------------------------|-----------------------------|-------------|
| Full-stroke seek, read (msec max) | 30 | | | | |
| Startup current, +5V (max) | 1.0 amp | | | | |
| Seek power (typical) | 1.54 watts | | | | |
| Read/write power (typical) | Read: 2.6 watts; Write: 2.85 watts | | | | |
| Idle mode, low power (typical) | 0.67 watts | | | | |
| Standby mode | 0.22 watts (typical)*** | | | | |
| Sleep mode | 0.22 watts (typical)*** | | | | |
| Voltage tolerance (including noise) | +5V ± 5% | | | | |
| Ambient temperature | 0° to 60°C (operating), -40° to 70°C (nonoperating) | | | | |
| Temperature gradient (°C per hour max) | 20°C (operating) 35°C (nonoperating) | | | | |
| Relative humidity | 5% to 95% (operating) 5% to 95% (nonoperating) | | | | |
| Relative humidity gradient | 30% per hour max | | | | |
| Wet bulb temperature (°C max) | 37.7 (operating) 40 (nonoperating) | | | | |
| Altitude, operating | -304.8 m to 3,048 m (-1,000 ft to 10,000+ ft) | | | | |
| Altitude, nonoperating (meters below mean sea level, max) | -304.8 m to 12,192 m (-1000 ft to 40,000+ ft) | | | | |
| Shock, operating (Gs max at 2 msec) | 350 | | | | |
| Shock, nonoperating (Gs max at 2 msec) | 800 | | | | |
| Shock, nonoperating (Gs max at 1 msec) | 1,000 | | | | |
| Shock, nonoperating (Gs max at 0.5 msec) | 600 | | | | |
| Vibration, operating | 1.0 G (0 to peak, 5–500 Hz) | | | | |
| Vibration, nonoperating | 5.0 Gs (0 to peak, 10–500 Hz) | | | | |
| Drive acoustics, sound power (bels) | | | | | |
| Idle** | 2.4 (typical) 2.6 (max) | | | | |
| Performance seek | 2.6 (typical) 2.7 (max) | | | | |
| Nonrecoverable read errors | 1 per 10 ¹⁴ bits read | | | | |
| Annualized Failure Rate (AFR) | 0.48% | | | | |
| Load/Unload (U/UL) cycles | | | | | |
| 25°C, 50% relative humidity | 600,000 software-controlled power on/off cycles 20,000 hard power on/off cycles | | | | |
| 32°C, 80% relative humidity | 600,000 software-controlled power on/off cycles | | | | |
| 5°C, 80% relative humidity | 20,000 hard power on/off cycles | | | | |
| 5°C, 10% relative humidity | | | | | |
| 55°C, 16% relative humidity | | | | | |
| Warranty | To determine the warranty for a specific drive, use a web browser to access the following web page: support.seagate.com/customer/warranty_validation.jsp You will be asked to provide the drive serial number, model number (or part number) and country of purchase. After submitting this information, the system will display the warranty information for your drive. | | | | |
| Supports Hotplug operation per Serial ATA Revision 2.6 specification | Yes (requires COMRESET from host after a hotplug event) | | | | |

*One Gbyte equals one billion bytes when referring to hard drive capacity. Accessible capacity may vary depending on operating environment

and formatting.

**During periods of drive idle, some offline activity may occur according to the S.M.A.R.T. specification, which may increase acoustic and power to operational levels.

***Typical notebooks will pull power to the drive when entering S3 and S4; while in the S3 and S4 states, drive sleep and drive standby modes will not contribute to battery power consumption.

2.2 Formatted capacity

| Model | Formatted capacity* | Guaranteed sectors | Bytes per sector |
|------------------------------|---------------------|--------------------|------------------|
| ST9500325AS and ST9500325ASG | 500 Gbytes | 976,773,168 | 512 |
| ST9320325AS and ST9320325ASG | 320 Gbytes | 625,142,448 | 512 |
| ST9250315AS and ST9250315ASG | 250 Gbytes | 488,397,168 | 512 |
| ST9160314AS and ST9160314ASG | 160 Gbytes | 312,581,808 | 512 |
| ST9120315AS | 120 Gbytes | 234,441,648 | 512 |

*One Gbyte equals one billion bytes when referring to hard drive capacity. Accessible capacity may vary depending on operating environment and formatting.

2.2.1 LBA mode

When addressing these drives in LBA mode, all blocks (sectors) are consecutively numbered from 0 to $n-1$, where n is the number of guaranteed sectors as defined above.

See Section 4.3.1, "Identify Device command" (words 60-61 and 100-103) for additional information about 48-bit addressing support of drives with capacities over 137 Gbytes.

2.3 Default logical geometry

| Cylinders | Read/write heads | Sectors per track |
|-----------|------------------|-------------------|
| 16,383 | 16 | 63 |

LBA mode

When addressing these drives in LBA mode, all blocks (sectors) are consecutively numbered from 0 to $n-1$, where n is the number of guaranteed sectors as defined above.

2.4 Physical organization

| Drive model | Read/write heads | Number of discs |
|------------------------------|------------------|-----------------|
| ST9500325AS and ST9500325ASG | 4 | 2 |
| ST9320325AS and ST9320325ASG | 3 | 2 |
| ST9250315AS and ST9250315ASG | 2 | 1 |
| ST9160314AS and ST9160314ASG | 2 | 1 |
| ST9120315AS | 1 | 1 |

2.5 Recording and interface technology

| | |
|---|-------------------------|
| Interface | Serial ATA (SATA) |
| Recording method | Perpendicular |
| Recording density BPI (bits/inch avg) | 1,490k |
| Track density TPI (tracks/inch avg) | 265k |
| Areal density (Gbits/inch ² avg) | 394 |
| Spindle speed (RPM) (\pm 0.2%) | 5,400 |
| Maximum Internal transfer rate (Mbits/sec) | 1,175 |
| I/O data-transfer rate (Mbytes/sec max) | 300 |
| Interleave | 1:1 |
| Cache buffer | 8 Mbytes (8,192 kbytes) |

2.6 Physical characteristics

| Drive specification | | |
|---|------------------|--|
| Height | (mm) (inches) | 9.5 +/-0.2 0.374 +/-0.0078 |
| Width | (mm) (inches) | 69.85 +/-0.25 2.75 +/-0.0098 |
| Length | (mm) (inches) | 100.35 +0.55 / -0.25 3.957 +0.079 / -0.0098 |
| Weight (max) | | |
| ST9500325AS ST9500325ASG ST9320325AS ST9320325ASG | | 98.8 grams 0.218 pounds |
| ST9250315AS ST9250315ASG ST9160314AS ST9160314ASG ST9120315AS | | 93.5 grams 0.206 pounds |

2.7 Seek time

Seek measurements are taken with nominal power at 25°C ambient temperature. All times are measured using drive diagnostics. The specifications in the table below are defined as follows:

- Track-to-track seek time is an average of all possible single-track seeks in both directions.
- Average seek time is a true statistical random average of at least 5,000 measurements of seeks between random tracks, less overhead.

Table 2: Typical seek times

| Seek times (msec) | Read |
|--------------------------|------|
| Track-to-track (typical) | 1 |
| Average (typical) | 14 |
| Full-stroke (max) | 30 |
| Average latency | 5.56 |

Note. These drives are designed to consistently meet the seek times represented in this manual. Physical seeks, regardless of mode (such as track-to-track and average), are expected to meet the noted values. However, due to the manner in which these drives are formatted, benchmark tests that include command overhead or measure logical seeks may produce results that vary from these specifications.

2.8 Start/stop times

| Time to ready | Typical | Max @ 25°C |
|-------------------------|---------|------------|
| Power-on to Ready (sec) | 3.6 | 3.8 |
| Standby to Ready (sec) | 1.8 | 2 |

2.9 Power specifications

The drive receives DC power (+5V) through a native SATA power connector.

2.9.1 Power consumption

Power requirements for the drives are listed in the table on page 8. Typical power measurements are based on an average of drives tested, under nominal conditions, at 25°C ambient temperature.

- **Spinup power**

Spinup power is measured from the time of power-on to the time that the drive spindle reaches operating speed.

- **Seek mode**

During seek mode, the read/write actuator arm moves toward a specific position on the disc surface and does not execute a read or write operation. Servo electronics are active. Seek mode power is measured based on three random seek operations every 100 msecs. This mode is not typical.

- **Read/write power and current**

Read/write power is measured with the heads on track, based on three 63 sector read or write operations every 100 msecs.

- **Idle mode power**

Idle mode power is measured with the drive up to speed, with servo electronics active and with the heads in a random track location.

- **Standby mode**

During Standby mode, the drive accepts commands, but the drive is not spinning, and the servo and read/write electronics are in power-down model

Table 3: DC power

| Power dissipation | +5V input average (25° C) |
|-----------------------|---------------------------|
| Spinup (max) | 1 amp |
| Seek | 1.54 watts |
| Read | 2.6 watts |
| Write | 2.85 watts |
| Idle, performance* | 1.5 watts |
| Idle, active* | 0.81 watts |
| Idle, low power mode* | 0.67 watts |
| Standby** | 0.22 watts |
| Sleep | 0.22 watts |

*During periods of drive idle, some offline activity may occur according to the S.M.A.R.T. specification, which may increase acoustic and power to operational levels.

**Standby power is measured at steady state (after 200ms from transition)

2.9.1.1 Typical current profile

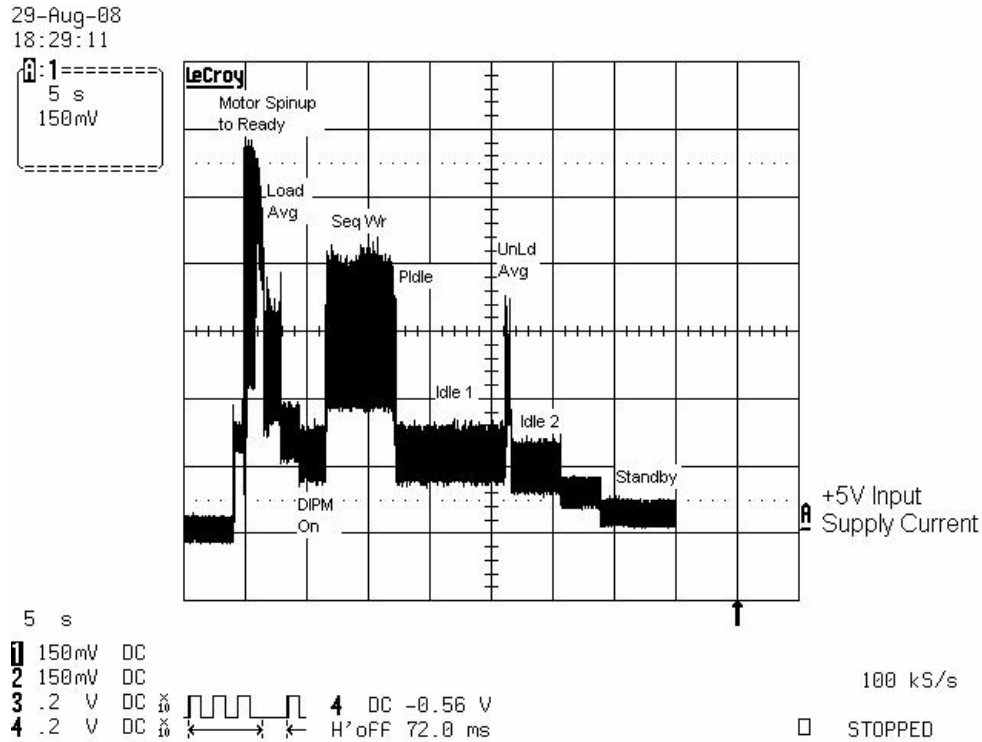


Figure 1. Typical +5V only startup and operation current profile

2.9.2 Deferred spinup

Momentum 5400.6 SATA drives do not support the deferred spinup option. If you require this option, refer to the Momentum 5400.3 SATA Blade Server family of drives.

2.9.3 Conducted noise

Input noise ripple is measured at the host system power supply across an equivalent 15-ohm resistive load on the +5 volt line.

Using 5-volt power, the drive is expected to operate with a maximum of 100 mV peak-to-peak square-wave injected noise at up to 10 MHz.

Note. Equivalent resistance is calculated by dividing the nominal voltage by the typical RMS read/write current.

2.9.4 Voltage tolerance

Voltage tolerance (including noise):

5V ± 5%

2.9.5 Power-management modes

The drive provides programmable power management to provide greater energy efficiency. In most systems, you can control power management through the system setup program. The drive features the following power-management modes:

Table 4: Power management modes

| Power modes | Heads | Spindle | Buffer |
|--------------------|----------|----------|------------------------|
| Active (operating) | Tracking | Rotating | Full power |
| Idle, performance | Tracking | Rotating | Self refresh—low power |
| Idle, active | Floating | Rotating | Self refresh—low power |
| Idle, low power | Parked | Rotating | Self refresh—low power |
| Standby | Parked | Stopped | Self refresh—low power |
| Sleep | Parked | Stopped | Self refresh—low power |

- **Active mode**

The drive is in Active mode during the read/write and seek operations.

- **Idle mode**

The buffer remains enabled, and the drive accepts all commands and returns to Active mode any time disc access is necessary.

- **Standby mode**

The drive enters Standby mode when the host sends a Standby Immediate command. If the host has set the standby timer, the drive can also enter Standby mode automatically after the drive has been inactive for a specifiable length of time. The standby timer delay is established using a Standby or Idle command. In Standby mode, the drive buffer is in Self Refresh Low Power mode, the heads are parked and the spindle is at rest. The drive accepts all commands and returns to Active mode any time disc access is necessary.

- **Sleep mode**

The drive enters Sleep mode after receiving a Sleep command from the host. In Sleep mode, the drive buffer is in Self Refresh Low Power mode, the heads are parked and the spindle is at rest. The drive leaves Sleep mode after it receives a Hard Reset or Soft Reset from the host. After receiving a reset, the drive exits Sleep mode and enters Standby mode with all current translation parameters intact.

- **Idle and Standby timers**

Each time the drive performs an Active function (read, write or seek), the standby timer is reinitialized and begins counting down from its specified delay times to zero. If the standby timer reaches zero before any drive activity is required, the drive makes a transition to Standby mode. In both Idle and Standby mode, the drive accepts all commands and returns to Active mode when disc access is necessary.

2.10 Environmental specifications

2.10.1 Ambient temperature

Ambient temperature is defined as the temperature of the environment immediately surrounding the drive. Actual drive case temperature should not exceed 70°C (158°F) within the operating ambient conditions.

Above 1,000 feet (305 meters), the maximum temperature is derated linearly by 1°C every 1000 feet.

| | |
|---------------|------------------------------|
| Operating: | 0° to 60°C (32° to 140°F) |
| Nonoperating: | −40° to 70°C (−40° to 158°F) |

2.10.2 Temperature gradient

| | |
|--------------|---|
| Operating | 20°C per hour (68°F per hour max), without condensation |
| Nonoperating | 35°C per hour (95°F per hour max), without condensation |

2.10.3 Humidity

2.10.3.1 Relative humidity

| | |
|--------------|--|
| Operating | 5% to 95% noncondensing (30% per hour max) |
| Nonoperating | 5% to 95% noncondensing (30% per hour max) |

2.10.3.2 Wet bulb temperature

| | |
|--------------|----------------------|
| Operating | 37.7°C (99.86°F max) |
| Nonoperating | 40°C (104°F max) |

2.10.4 Altitude

| | |
|--------------|--|
| Operating | −304.8 m to 3,048 m (−1,000 ft to 10,000+ ft) |
| Nonoperating | −304.8 m to 12,192 m (−1,000 ft to 40,000+ ft) |

2.10.5 Shock

All shock specifications assume that the drive is mounted securely with the input shock applied at the drive mounting screws. Shock may be applied in the X, Y or Z axis.

Note. Additional shock protection is provided by the Free Fall Protection feature on ST9500325ASG, ST9320325ASG, ST9250315ASG and ST9160314ASG models. See Section 2.13.1 for additional information about this feature.

2.10.5.1 Operating shock

These drives comply with the performance levels specified in this document when subjected to a maximum operating shock of 350 Gs based on half-sine shock pulses of 2 msec. Shocks should not be repeated more than two times per second.

2.10.5.2 Nonoperating shock

The nonoperating shock level that the drive can experience without incurring physical damage or degradation in performance when subsequently put into operation is 800 Gs based on a nonrepetitive half-sine shock pulse of 2 msec duration.

The nonoperating shock level that the drive can experience without incurring physical damage or degradation in performance when subsequently put into operation is 1,000 Gs based on a nonrepetitive half-sine shock pulse of 1 msec duration.

The nonoperating shock level that the drive can experience without incurring physical damage or degradation in performance when subsequently put into operation is 600 Gs based on a nonrepetitive half-sine shock pulse of 0.5 msec duration.

2.10.6 Vibration

All vibration specifications assume that the drive is mounted securely with the input vibration applied at the drive mounting screws. Vibration may be applied in the X, Y or Z axis.

2.10.6.1 Operating vibration

The maximum vibration levels that the drive may experience while meeting the performance standards specified in this document are specified below.

| | |
|----------|---|
| 5–500 Hz | 1.0 Gs (0 to peak). Max displacement may apply below 10 Hz. |
|----------|---|

2.10.6.2 Nonoperating vibration

The maximum nonoperating vibration levels that the drive may experience without incurring physical damage or degradation in performance when subsequently put into operation are specified below.

| | |
|-----------|---|
| 5–500 Hz: | 5.0 Gs (0 to peak). Max displacement may apply below 22 Hz. |
|-----------|---|

2.11 Acoustics

Drive emission of sound is measured consistent with the ECMA-74 and its' referenced standards. Testing is conducted at room temperature (approximately 25°C). Emission levels are reported as the total A-weighted sound power levels for steady state, idle, and active seek modes of operation.

Table 5: Drive A-weighted Sound Power Levels (SWL, BA)

| Idle* | Performance seek |
|----------------------------------|----------------------------------|
| 2.4 bels (typ) 2.6 bels (max) | 2.6 bels (typ) 2.7 bels (max) |

*During periods of drive idle, some offline activity may occur according to the S.M.A.R.T. specification, which may increase acoustic and power to operational levels.

Test for Prominent Discrete Tones (PDTs)

Seagate follows the ECMA-74 standards for measurement and identification of PDTs. An exception to this process is the use of the absolute threshold of hearing. Seagate uses the lower limit for the threshold curve* to discern tone audibility and to compensate for the inaudible components of sound prior to computation of tone ratios according to Annex D of the ECMA-74 standards.

*Defined as the median curve given by ISO 389-7 (Tf curve) minus 10dB at all frequencies.

2.12 Electromagnetic immunity

When properly installed in a representative host system, the drive operates without errors or degradation in performance when subjected to the radio frequency (RF) environments defined in the following table:

Table 6: Radio frequency environments

| Test | Description | Performance level | Reference standard |
|----------------------------------|---|-------------------|-----------------------------------|
| Electrostatic discharge | Contact, HCP, VCP: ± 4 kV; Air: ± 8 kV | B | EN 61000-4-2: 95 |
| Radiated RF immunity | 80 to 2,000 MHz, 10 V/m, 80% AM with 1 kHz sine 900 MHz, 3 V/m, 50% pulse modulation @ 200 Hz | A | EN 61000-4-3: 96 ENV 50204: 95 |
| Electrical fast transient | ± 1 kV on AC mains, ± 0.5 kV on external I/O | B | EN 61000-4-4: 95 |
| Surge immunity | ± 1 kV differential, ± 2 kV common, AC mains | B | EN 61000-4-5: 95 |
| Conducted RF immunity | 150 kHz to 80 MHz, 3 Vrms, 80% AM with 1 kHz sine | A | EN 61000-4-6: 97 |
| Power Frequency H-field immunity | 1 A/m, 50Hz/60Hz, 3 axes | A | EN 61000-4-8: 97 |
| Voltage dips, interrupts | 30% Reduction for 25 cycles >95% Reduction for 250 cycles >95%, 0.5 cycles | C C B | EN 61000-4-11: 94 |

2.13 Reliability

| Measurement type | Specification |
|---|---|
| Nonrecoverable read errors | 1 per 10 ¹⁴ bits read, max. |
| Annualized Failure Rate (AFR) | <0.48% |
| Load/Unload (U/UL) 25°C, 50% relative humidity 32°C, 80% relative humidity 5°C, 80% relative humidity 5°C, 10% relative humidity 55°C, 16% relative humidity | 600,000 software-controlled power on/off cycles 20,000 hard power on/off cycles 600,000 software-controlled power on/off cycles 20,000 hard power on/off cycles |
| Warranty | To determine the warranty for a specific drive, use a web browser to access the following web page: support.seagate.com/customer/warranty_validation.jsp You will be asked to provide the drive serial number, model number (or part number) and country of purchase. After submitting this information, the system will display the warranty information for your drive. |

2.13.1 Free Fall Protection feature

The Free Fall Protection feature provides enhanced data protection against shock events that may occur while the drive is operating. This feature is designed to decrease the likelihood of data loss by detecting a free fall event and unloading the actuator before a shock takes place in falls of >8 inches (nominal). The drive uses a 0 G sensor mounted on the printed circuit board assembly (PCBA) to sense this event.

To enable the Free Fall Protection feature on ST9500325ASG, ST9320325ASG, ST9250315ASG and ST9160314ASG models, use Set Features command 41h. To disable this feature, use Set Features command C1h.

Information about Free Fall Events that have occurred is available through SMART attribute FEh.

Note. Of the models documented in this product manual, the Free Fall Protection feature is provided only on ST9500325ASG, ST9320325ASG, ST9250315ASG and ST9160314ASG models.

2.14 Agency certification

2.14.1 Safety certification

The drives are recognized in accordance with UL 1950 and CSA C22.2 (950) and meet all applicable sections of IEC950 and EN 60950 as tested by TUV North America.

2.14.2 Electromagnetic compatibility

Hard drives that display the CE mark comply with the European Union (EU) requirements specified in the Electromagnetic Compatibility Directive (89/336/EEC). Testing is performed to the levels specified by the product standards for Information Technology Equipment (ITE). Emission levels are defined by EN 55022, Class B and the immunity levels are defined by EN 55024.

Seagate uses an independent laboratory to confirm compliance with the EC directives specified in the previous paragraph. Drives are tested in representative end-user systems. Although CE-marked Seagate drives comply with the directives when used in the test systems, we cannot guarantee that all systems will comply with the

directives. The drive is designed for operation inside a properly designed enclosure, with properly shielded I/O cable (if necessary) and terminators on all unused I/O ports. Computer manufacturers and system integrators should confirm EMC compliance and provide CE marking for their products.

Korean RRL

If these drives have the Korea Ministry of Information and Communication (MIC) logo, they comply with paragraph 1 of Article 11 of the Electromagnetic Compatibility control Regulation and meet the Electromagnetic Compatibility (EMC) Framework requirements of the Radio Research Laboratory (RRL) Ministry of Information and Communication Republic of Korea.

These drives have been tested and comply with the Electromagnetic Interference/Electromagnetic Susceptibility (EMI/EMS) for Class B products. Drives are tested in a representative, end-user system by a Korean-recognized lab.

- Certificate number: Pending
- Trade name or applicant: Seagate Technology LLC
- Manufacturing date: Pending (Date of Certification)
- Manufacturer/nationality: USA, Singapore and China

Australian C-Tick (N176)

If these models have the C-Tick marking, they comply with the Australia/New Zealand Standard AS/NZS3548 1995 and meet the Electromagnetic Compatibility (EMC) Framework requirements of the Australian Communication Authority (ACA).

2.14.3 FCC verification

These drives are intended to be contained solely within a personal computer or similar enclosure (not attached as an external device). As such, each drive is considered to be a subassembly even when it is individually marketed to the customer. As a subassembly, no Federal Communications Commission verification or certification of the device is required.

Seagate Technology LLC has tested this device in enclosures as described above to ensure that the total assembly (enclosure, disc drive, motherboard, power supply, etc.) does comply with the limits for a Class B computing device, pursuant to Subpart J, Part 15 of the FCC rules. Operation with noncertified assemblies is likely to result in interference to radio and television reception.

Radio and television interference. This equipment generates and uses radio frequency energy and if not installed and used in strict accordance with the manufacturer's instructions, may cause interference to radio and television reception.

This equipment is designed to provide reasonable protection against such interference in a residential installation. However, there is no guarantee that interference will not occur in a particular installation. If this equipment does cause interference to radio or television, which can be determined by turning the equipment on and off, you are encouraged to try one or more of the following corrective measures:

- Reorient the receiving antenna.
- Move the device to one side or the other of the radio or TV.
- Move the device farther away from the radio or TV.
- Plug the computer into a different outlet so that the receiver and computer are on different branch outlets.

If necessary, you should consult your dealer or an experienced radio/television technician for additional suggestions. You may find helpful the following booklet prepared by the Federal Communications Commission: *How to Identify and Resolve Radio-Television Interference Problems*. This booklet is available from the Superintendent of Documents, U.S. Government Printing Office, Washington, DC 20402. Refer to publication number 004-000-00345-4.

2.15 Environmental protection

Seagate designs its products to meet environmental protection requirements worldwide, including regulations restricting certain chemical substances.

2.15.1 European Union Restriction of Hazardous Substances (RoHS)

Seagate designs its products to meet environmental protection requirements worldwide, including regulations restricting certain chemical substances. A new law, the European Union Restriction of Hazardous Substances (RoHS) Directive, restricts the presence of chemical substances, including Lead, Cadmium, Mercury, Hexavalent Chromium, PBB and PBDE, in electronic products, effective July 2006. This drive is manufactured with components and materials that comply with the RoHS Directive..

2.15.2 China Restriction of Hazardous Substances (RoHS) Directive

中国限制危险物品的指令

This product has an Environmental Protection Use Period (EPUP) of 20 years. The following table contains information mandated by China's "Marking Requirements for Control of Pollution Caused by Electronic Information Products" Standard.



该产品具有20年的环境保护使用周期（EPUP）。下表包含了中国“电子产品所导致的污染的控制的记号要求”所指定的信息。

| Name of Parts 部件名称 | Toxic or Hazardous Substances or Elements有毒有害物质或元素 | | | | | |
|-----------------------|--|----------------------|----------------------|---|---|---|
| | Lead 铅 (Pb) | Mercury 汞 (Hg) | Cadmium 镉 (Cd) | Hexavalent Chromium 六价铬 (Cr6+) | Polybrominated Biphenyl 多溴联苯 (PBB) | Polybrominated Diphenyl Ether 多溴二苯醚 (PBDE) |
| PCBA | X | O | O | O | O | O |
| HDA | X | O | O | O | O | O |

"O" indicates the hazardous and toxic substance content of the part (at the homogenous material level) is lower than the threshold defined by the China RoHS MCV Standard.

“O”表示该部件（于同类物品程度上）所含的危险和有毒物质低于中国RoHS MCV标准所定义的门槛值。

"X" indicates the hazardous and toxic substance content of the part (at the homogenous material level) is over the threshold defined by the China RoHS MCV Standard.

“X”表示该部件（于同类物品程度上）所含的危险和有毒物质超出中国RoHS MCV标准所定义的门槛值。

2.16 Corrosive environment

Seagate electronic drive components pass accelerated corrosion testing equivalent to 10 years exposure to light industrial environments containing sulfurous gases, chlorine and nitric oxide, classes G and H per ASTM B845. However, this accelerated testing cannot duplicate every potential application environment.

Users should use caution exposing any electronic components to uncontrolled chemical pollutants and corrosive chemicals as electronic drive component reliability can be affected by the installation environment. The silver, copper, nickel and gold films used in Seagate products are especially sensitive to the presence of sulfide, chloride, and nitrate contaminants. Sulfur is found to be the most damaging. In addition, electronic components should never be exposed to condensing water on the surface of the printed circuit board assembly (PCBA) or exposed to an ambient relative humidity greater than 95%. Materials used in cabinet fabrication, such as vulcanized rubber, that can outgas corrosive compounds should be minimized or eliminated. The useful life of any electronic equipment may be extended by replacing materials near circuitry with sulfide-free alternatives.

3.0 Configuring and mounting the drive

This section contains the specifications and instructions for configuring and mounting the drive.

3.1 Handling and static-discharge precautions

After unpacking, and before installation, the drive may be exposed to potential handling and electrostatic discharge (ESD) hazards. Observe the following standard handling and static-discharge precautions:

Caution:

- Keep the drive in the electrostatic discharge (ESD) bag until you are ready for installation to limit the drive's exposure to ESD.
- Before handling the drive, put on a grounded wrist strap, or ground yourself frequently by touching the metal chassis of a computer that is plugged into a grounded outlet. Wear a grounded wrist strap throughout the entire installation procedure.
- Handle the drive only by its edges or frame.
- The drive is fragile—handle it with care. Do not press down on the drive top cover.
- Always rest the drive on a padded, antistatic surface until you mount it in the computer.
- Do not touch the connector pins or the printed circuit board.
- Do not remove the factory-installed labels from the drive or cover them with additional labels. Removal voids the warranty. Some factory-installed labels contain information needed to service the drive. Other labels are used to seal out dirt and contamination.

3.2 Configuring the drive

Each drive on the Serial ATA interface connects in a point-to-point configuration with the Serial ATA host adapter. There is no master/slave relationship because each drive is considered a master in a point-to-point relationships. If two drives are attached on one Serial ATA host adapter, the host operating system views the two devices as if they were both “masters” on two separate ports. This means both drives behave as if they are Device 0 (master) devices.

Serial ATA drives are designed for easy installation. It is normally not necessary to set any jumpers on this drive for proper operation. If the host system does not support SATA 3Gb/s operation, place a jumper on pins 1 and 2 to limit the drive to 1.5Gb/s operation.

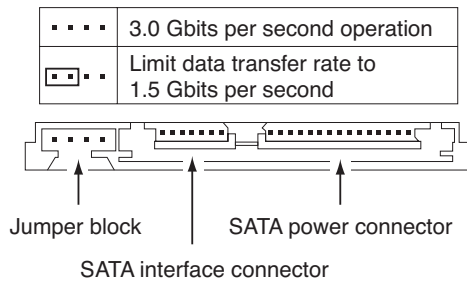


Figure 2. Serial ATA connectors

3.3 Serial ATA cables and connectors

The Serial ATA interface cable consists of four conductors in two differential pairs, plus three ground connections. The cable size may be 30 to 26 AWG with a maximum length of one meter (39.37 inches). See Table 7 for connector pin definitions. Either end of the SATA signal cable can be attached to the drive or host.

For direct backplane connection, the drive connectors are inserted directly into the host receptacle. The drive and the host receptacle incorporate features that enable the direct connection to be hot pluggable and blind mateable.

For installations which require cables, you can connect the drive as illustrated in Figure 3.

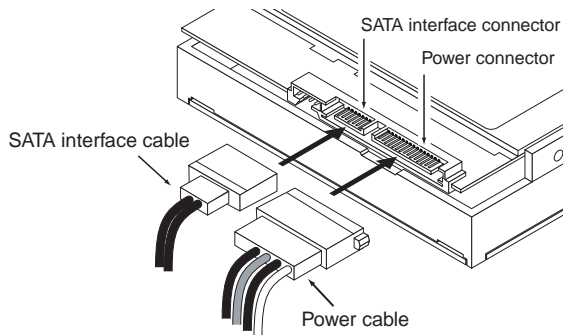


Figure 3. Attaching SATA cabling

Each cable is keyed to ensure correct orientation.

3.4 Drive mounting

You can mount the drive using four screws in the side-mounting holes or four screws in the bottom-mounting holes. See Figure 4 for drive mounting dimensions. Follow these important mounting precautions when mounting the drive:

- Allow a minimum clearance of 0.030 inches (0.76 mm) around the entire perimeter of the drive for cooling.
- Use only M3 UNC mounting screws.
- Do not overtighten the mounting screws. Maximum torque: 4.0 inch-lb (0.4519 N-m).
- Four (4) threads (0.080 inches, 2.032 mm) minimum screw engagement recommended.
- Avoid excessive drive distortion when mounting. Refer to the following specifications for stiffness/deflection information:

| Top cover stiffness/deflection | |
|---|---|
| Operating with no performance degradation, emitted noise, mechanical damage, or hard errors | 10 mm probe: 1.02kgf or 5 mm probe: 0.92kgf |
| Non-operating with no hard errors | 20 mm probe: 2kgf at any point of top cover 20 mm probe: 15kgf at top cover edges only |

Measurements shown in Figure 4 are in inches.

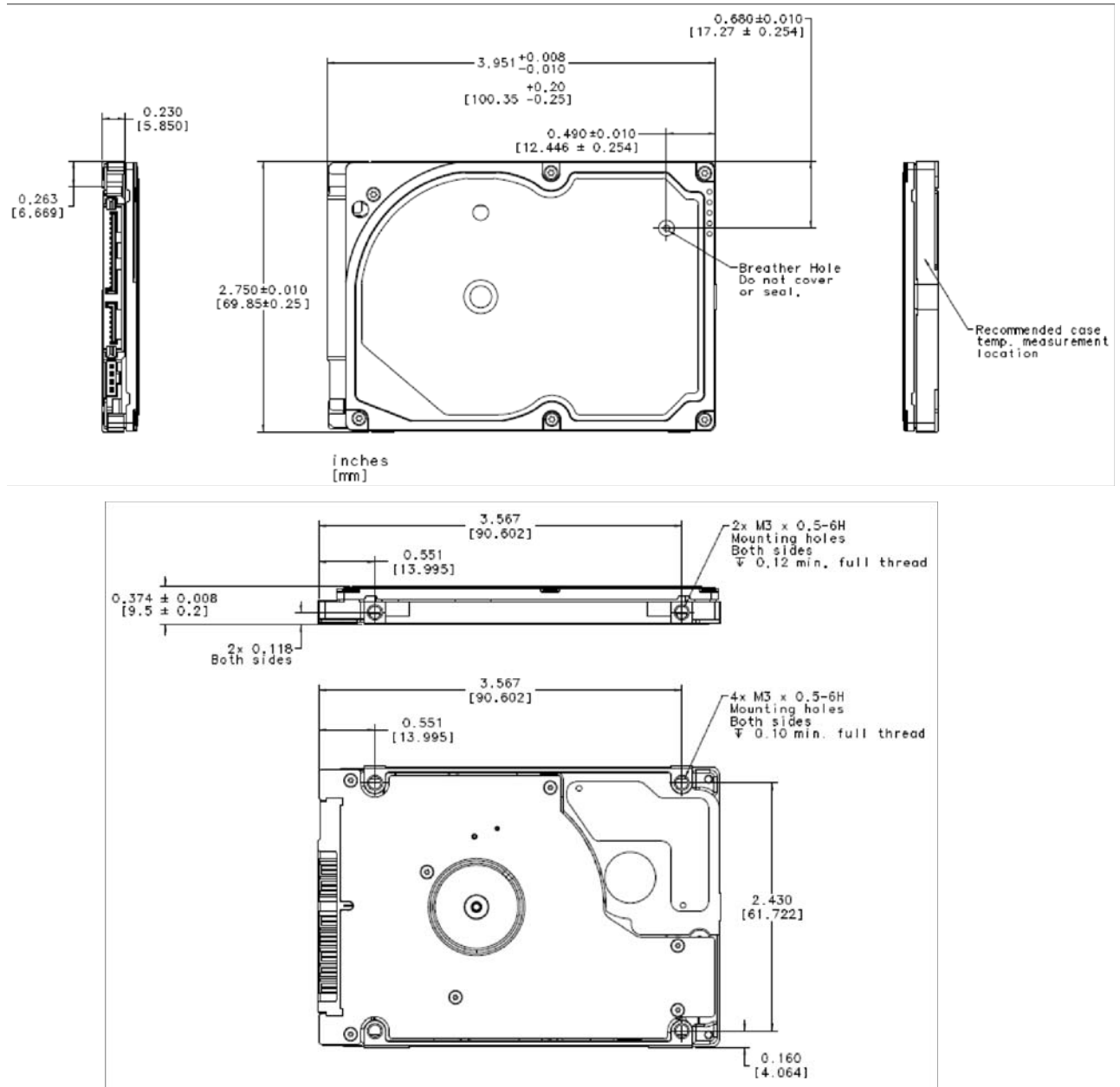


Figure 4. Mounting dimensions—top, side and end view

4.0 Serial ATA (SATA) interface

These drives use the industry-standard Serial ATA interface that supports FIS data transfers. It supports ATA programmed input/output (PIO) modes 0–4; multiword DMA modes 0–2, and Ultra DMA modes 0–6. The drive also supports the use of the IORDY signal to provide reliable high-speed data transfers.

For detailed information about the Serial ATA interface, refer to the “Serial ATA: High Speed Serialized AT Attachment” specification.

4.1 Hot-Plug compatibility

Momentum 5400.6 SATA drives incorporate connectors which enable you to hot plug these drives in accordance with the Serial ATA: High Speed Serialized AT Attachment specification revision 2.0. This specification can be downloaded from <http://www.serialata.org>. This device requires a COMRESET from the host after a hotplug event.

4.2 Serial ATA device plug connector pin definitions

Table 7 summarizes the signals on the Serial ATA interface and power connectors..

Table 7: Serial ATA connector pin definitions

| Segment | Pin | Function | Definition |
|---------|-----|----------|-------------------------------------|
| Signal | S1 | Ground | 2nd mate |
| | S2 | A+ | Differential signal pair A from Phy |
| | S3 | A- | |
| | S4 | Ground | 2nd mate |
| | S5 | B- | Differential signal pair B from Phy |
| | S6 | B+ | |
| | S7 | Ground | 2nd mate |

Key and spacing separate signal and power segments

Table 7: Serial ATA connector pin definitions

| Segment | Pin | Function | Definition |
|---------|-----|-----------------|--|
| Power | P1 | V ₃₃ | 3.3V power |
| | P2 | V ₃₃ | 3.3V power |
| | P3 | V ₃₃ | 3.3V power, pre-charge, 2nd mate |
| | P4 | Ground | 1st mate |
| | P5 | Ground | 2nd mate |
| | P6 | Ground | 2nd mate |
| | P7 | V ₅ | 5V power, pre-charge, 2nd mate |
| | P8 | V ₅ | 5V power |
| | P9 | V ₅ | 5V power |
| | P10 | Ground | 2nd mate |
| | P11 | Reserved | The pin corresponding to P11 in the backplane receptacle connector is also reserved The corresponding pin to be mated with P11 in the power cable receptacle connector shall always be grounded |
| | P12 | Ground | 1st mate. |
| | P13 | V ₁₂ | 12V power, pre-charge, 2nd mate |
| | P14 | V ₁₂ | 12V power |
| | P15 | V ₁₂ | 12V power |

Notes:

- All pins are in a single row, with a 1.27 mm (0.050") pitch.
- The comments on the mating sequence apply to the case of backplane blindmate connector only. In this case, the mating sequences are:
 - the ground pins P4 and P12.
 - the pre-charge power pins and the other ground pins.
 - the signal pins and the rest of the power pins.
- There are three power pins for each voltage. One pin from each voltage is used for pre-charge when installed in a blind-mate backplane configuration.
- All used voltage pins (V_x) must be terminated.

4.3 Supported ATA commands

The following table lists Serial ATA standard commands that the drive supports. For a detailed description of the ATA commands, refer to the Serial ATA: High Speed Serialized AT Attachment specification. See “S.M.A.R.T. commands” on page 31 for details and subcommands used in the S.M.A.R.T. implementation.

| Command name | Command code (in hex) |
|-------------------------------------|-----------------------|
| ATA-standard commands | |
| Device Configuration Restore | B1h/C0h |
| Device Configuration Freeze Lock | B1h/C1h |
| Device Configuration Identify | B1h/C2h |
| Device Configuration Set | B1h/C3h |
| Download Microcode | 92h |
| Execute Device Diagnostics | 90h |
| Flush Cache | E7h |
| Flush Cache Extended | EAh |
| Identify Device | ECh |
| Initialize Device Parameters | 91h |
| Read Buffer | E4h |
| Read DMA | C8h |
| Read DMA Extended | 25h |
| Read DMA without Retries | C9h |
| Read Long with Retries | 22h |
| Read Long without Retries | 23h |
| Read Multiple | C4h |
| Read Multiple Extended | 29h |
| Read Native Max Address | F8h |
| Read Native Max Address Extended | 27h |
| Read Sectors | 20h |
| Read Sectors Extended | 24h |
| Read Sectors without Retries | 21h |
| Read Verify Sectors | 40h |
| Read Verify Sectors Extended | 42h |
| Read Verify Sectors without Retries | 41h |
| Seek | 70h |
| Set Features | EFh |
| Set Max Address | F9h |

| Command name | Command code (in hex) | |
|--|---|---|
| Note: Individual Set Max commands are identified by the value placed in the Set Max Features register as defined to the right. | Address: Password: Lock: Unlock: Freeze Lock: | 00 _H 01 _H 02 _H 03 _H 04 _H |
| Set Multiple Mode | C6h | |
| S.M.A.R.T. Disable Operations | B0h/D9h | |
| S.M.A.R.T. Enable/Disable Autosave | B0h/D2h | |
| S.M.A.R.T. Enable Operations | B0h/D8h | |
| S.M.A.R.T. Enable/Disable Auto Offline | B0h/DBh | |
| S.M.A.R.T. Enable One Attribute Modification | B0h/E0h | |
| S.M.A.R.T. Execute Offline | B0h/D4h | |
| S.M.A.R.T. Read Attribute Thresholds | B0h/D1h | |
| S.M.A.R.T. Read Data | B0h/D0h | |
| S.M.A.R.T. Read Log Sector | B0h/D5h | |
| S.M.A.R.T. Return Status | B0h/DAh | |
| S.M.A.R.T. Save Attribute Values | B0h/D3h | |
| S.M.A.R.T. Write Attribute Thresholds | B0h/D7h | |
| S.M.A.R.T. Write Attribute Values | B0h/E1h | |
| S.M.A.R.T. Write Log Sector | B0h/D6h | |
| Write Buffer | E8h | |
| Write DMA | CAh | |
| Write DMA Extended | 35h | |
| Write DMA without Retries | CBh | |
| Write Long with Retries | 32h | |
| Write Long without Retries | 33h | |
| Write Multiple | C5h | |
| Write Multiple Extended | 39h | |
| Write Sectors | 30h, 31h | |
| Write Sectors Extended | 34h | |
| ATA-standard power-management commands | | |
| Check Power Mode | 98h or E5h | |
| Idle | 97h or E3h | |
| Idle Immediate | 95h or E1h | |
| Sleep | 99h or E6h | |
| Standby | 96h or E2h | |
| Standby Immediate | 94h or E0h | |

| Command name | Command code (in hex) |
|---------------------------------------|------------------------------|
| ATA-standard security commands | |
| Security Set Password | F1h |
| Security Unlock | F2h |
| Security Erase Prepare | F3h |
| Security Erase Unit | F4h |
| Security Freeze Lock | F5h |
| Security Disable Password | F6h |

4.3.1 Identify Device command

The Identify Device command (command code EC_H) transfers information about the drive to the host following power up. The data is organized as a single 512-byte block of data, whose contents are shown in the table on page 27. All reserved bits or words should be set to zero. Parameters listed with an “x” are drive-specific or vary with the state of the drive.

The following commands contain drive-specific features that may not be included in the Serial ATA specification.

| Word | Description | Value |
|-------|--|---|
| 0 | Configuration information: • Bit 15: 0 = ATA; 1 = ATAPI • Bit 7: removable media • Bit 6: removable controller • Bit 0: reserved | 0C5A _H |
| 1 | Number of logical cylinders | 16,383 |
| 2 | ATA-reserved | 0000 _H |
| 3 | Number of logical heads | 16 |
| 4 | Retired | 0000 _H |
| 5 | Retired | 0000 _H |
| 6 | Number of logical sectors per logical track: 63 | 003F _H |
| 7–9 | Retired | 0000 _H |
| 10–19 | Serial number: (20 ASCII characters, 0000 _H = none) | ASCII |
| 20 | Retired | 0000 _H |
| 21 | Retired | 0400 _H |
| 22 | Obsolete | 0000 _H |
| 23–26 | Firmware revision (8 ASCII character string, padded with blanks to end of string) | x.xx |
| 27–46 | Drive model number: (40 ASCII characters, padded with blanks to end of string) | ST9500325AS ST9500325ASG ST9320325AS ST9320325ASG ST9250315AS ST9250315ASG ST9160314AS ST9160314ASG ST9120315AS |
| 47 | (Bits 7–0) Maximum sectors per interrupt on Read multiple and Write multiple (16) | 8010 _H |
| 48 | Reserved | 0000 _H |
| 49 | Standard Standby timer, IORDY supported and may be disabled | 2F00 _H |
| 50 | ATA-reserved | 0000 _H |
| 51 | PIO data-transfer cycle timing mode | 0200 _H |
| 52 | Retired | 0200 _H |
| 53 | Words 54–58, 64–70 and 88 are valid | 0007 _H |
| 54 | Number of current logical cylinders | xxxx _H |

| Word | Description | Value |
|-------|--|---|
| 55 | Number of current logical heads | xxxx _H |
| 56 | Number of current logical sectors per logical track | xxxx _H |
| 57–58 | Current capacity in sectors | xxxx _H |
| 59 | Number of sectors transferred during a Read Multiple or Write Multiple command | xxxx _H |
| 60–61 | Total number of user-addressable sectors This field contains a value that is one greater than the total number of user-addressable sectors. The maximum value that shall be placed in this field is 0FFFFFFF _H . The 0FFFFFFF _H value applies to all capacities over 137Gbytes (see Section 2.2 and 2.3 for related information). | ST9500325AS = 0FFFFFFF _H ST9500325ASG = 0FFFFFFF _H ST9320325AS = 0FFFFFFF _H ST9320325ASG = 0FFFFFFF _H ST9250315AS = 0FFFFFFF _H ST9250315ASG = 0FFFFFFF _H ST9160314AS = 0FFFFFFF _H ST9160314ASG = 0FFFFFFF _H ST9120315AS = 234,441,648 |
| 62 | Retired | 0000 _H |
| 63 | Multiword DMA active and modes supported (see note following this table) | xx07 _H |
| 64 | Advanced PIO modes supported (modes 3 and 4 supported) | 0003 _H |
| 65 | Minimum multiword DMA transfer cycle time per word (120 nsec) | 0078 _H |
| 66 | Recommended multiword DMA transfer cycle time per word (120 nsec) | 0078 _H |
| 67 | Minimum PIO cycle time without IORDY flow control (240 nsec) | 00F0 _H |
| 68 | Minimum PIO cycle time with IORDY flow control (120 nsec) | 0078 _H |
| 69–74 | ATA-reserved | 0000 _H |
| 75 | Queue depth | 0000 _H |
| 76 | Serial ATA capabilities | 0508 _H |
| 77 | ATA-reserved | 0000 _H |
| 78 | Serial ATA features supported | 0048 _H |
| 79 | Serial ATA features enabled | 0040 _H |
| 80 | Major version number | 003E _H |
| 81 | Minor version number | 0000 _H |
| 82 | Command sets supported | 306B _H |
| 83 | Command sets supported | 4001 _H |
| 84 | Command sets support extension | 4000 _H |
| 85 | Command sets enabled | 30xx _H |
| 86 | Command sets enabled | 0001 _H |
| 87 | Command sets enable extension | 4000 _H |
| 88 | Ultra DMA support and current mode (see note following this table) | xx7F _H |
| 89 | Security erase time | 0000 _H |

| Word | Description | Value |
|---------|---|---|
| 90 | Enhanced security erase time | 0000 _H |
| 92 | Master password revision code | FFFE _H |
| 93 | Hardware reset value (see description following this table) | xxxx _H |
| 94 | Auto acoustic management setting | xxxx _H |
| 95–99 | ATA-reserved | 0000 _H |
| 100–103 | Total number of user-addressable LBA sectors available (see Section 2.2 for related information) These words are required for drives that support the 48-bit addressing feature. Maximum value: 0000FFFFFFFF _H . | ST9500325AS = 976,773,168 ST9500325ASG = 976,773,168 ST9320325AS = 625,142,448 ST9320325ASG = 625,142,448 ST9250315AS = 488,397,168 ST9250315ASG = 488,397,168 ST9160314AS = 312,581,808 ST9160314ASG = 312,581,808 ST9120315AS = 234,441,648 |
| 104–118 | ATA-reserved | 0000 _H |
| 119 | Free Fall Protection support (bit 5) | 1 = Free Fall Protection supported 0 = Free Fall Protection not supported |
| 120 | Free Fall Protection enable/disable (bit 5) | 1 = Free Fall Protection feature is enabled 0 = Free Fall Protection feature is disabled |
| 121–127 | ATA reserved | 0000 _H |
| 128 | Security status | 0001 _H |
| 129–159 | Seagate-reserved | xxxx _H |
| 160–254 | ATA-reserved | 0000 _H |
| 255 | Integrity word | xxA5 _H |

Note. See the bit descriptions below for words 63, 88, and 93 of the Identify Drive data:

Description (if bit is set to 1)

| Bit | Word 63 |
|-----|---|
| 0 | Multiword DMA mode 0 is supported. |
| 1 | Multiword DMA mode 1 is supported. |
| 2 | Multiword DMA mode 2 is supported. |
| 8 | Multiword DMA mode 0 is currently active. |
| 9 | Multiword DMA mode 1 is currently active. |
| 10 | Multiword DMA mode 2 is currently active. |
| Bit | Word 88 |
| 0 | Ultra DMA mode 0 is supported. |
| 1 | Ultra DMA mode 1 is supported. |
| 2 | Ultra DMA mode 2 is supported. |

| | | |
|--|------------|--|
| | 3 | Ultra DMA mode 3 is supported. |
| | 4 | Ultra DMA mode 4 is supported. |
| | 5 | Ultra DMA mode 5 is supported |
| | 6 | Ultra DMA mode 6 is supported |
| | 8 | Ultra DMA mode 0 is currently active. |
| | 9 | Ultra DMA mode 1 is currently active. |
| | 10 | Ultra DMA mode 2 is currently active. |
| | 11 | Ultra DMA mode 3 is currently active. |
| | 12 | Ultra DMA mode 4 is currently active. |
| | 13 | Ultra DMA mode 5 is currently active. |
| | 14 | Ultra DMA mode 6 is currently active. |
| | Bit | Word 93 |
| | 13 | 1 = 80-conductor cable detected, CBLID above V _{IH} 0 = 40-conductor cable detected, CBLID below V _{IL} |

4.3.2 Set Features command

This command controls the implementation of various features that the drive supports. When the drive receives this command, it sets BSY, checks the contents of the Features register, clears BSY and generates an interrupt. If the value in the register does not represent a feature that the drive supports, the command is aborted. Power-on default has the read look-ahead and write caching features enabled. The acceptable values for the Features register are defined as follows:

Table 8: Set Features command values

| | |
|-----------------|---|
| 02 _H | Enable write cache (<i>default</i>). |
| 03 _H | Set transfer mode (based on value in Sector Count register). Sector Count register values: |
| 00 _H | Set PIO mode to default (PIO mode 2). |
| 01 _H | Set PIO mode to default and disable IORDY (PIO mode 2). |
| 08 _H | PIO mode 0 |
| 09 _H | PIO mode 1 |
| 0A _H | PIO mode 2 |
| 0B _H | PIO mode 3 |
| 0C _H | PIO mode 4 (<i>default</i>) |
| 20 _H | Multiword DMA mode 0 |
| 21 _H | Multiword DMA mode 1 |
| 22 _H | Multiword DMA mode 2 |
| 40 _H | Ultra DMA mode 0 |
| 41 _H | Ultra DMA mode 1 |
| 42 _H | Ultra DMA mode 2 |
| 43 _H | Ultra DMA mode 3 |
| 44 _H | Ultra DMA mode 4 |

Table 8: Set Features command values

| | |
|-----------------|---|
| 45 _H | Ultra DMA mode 5 |
| 46 _H | Ultra DMA mode 6 |
| 55 _H | Disable read look-ahead (read cache) feature. |
| 82 _H | Disable write cache |
| AA _H | Enable read look-ahead (read cache) feature (<i>default</i>). |
| C1 _H | Disable the Free Fall Protection feature (41 _H above enables the Free Fall Protection feature) |
| F1 _H | Report full capacity available |

Note. At power-on, or after a hardware or software reset, the default values of the features are as indicated above.

4.3.3 S.M.A.R.T. commands

S.M.A.R.T. provides near-term failure prediction for disc drives. When S.M.A.R.T. is enabled, the drive monitors predetermined drive attributes that are susceptible to degradation over time. If self-monitoring determines that a failure is likely, S.M.A.R.T. makes a status report available to the host. Not all failures are predictable. S.M.A.R.T. predictability is limited to the attributes the drive can monitor. For more information on S.M.A.R.T. commands and implementation, see the *Draft ATA-8 Standard*.

SeaTools diagnostic software activates a built-in drive self-test (DST S.M.A.R.T. command for D4_H) that eliminates unnecessary drive returns. The diagnostic software ships with all new drives and is also available at: <http://seatools.seagate.com>.

This drive is shipped with S.M.A.R.T. features disabled. You must have a recent BIOS or software package that supports S.M.A.R.T. to enable this feature. The table below shows the S.M.A.R.T. command codes that the drive uses.

Table 9: S.M.A.R.T. commands

| Code in features register | S.M.A.R.T. command |
|---------------------------|--|
| D0 _H | S.M.A.R.T. Read Data |
| D1 _H | Vendor-specific |
| D2 _H | S.M.A.R.T. Enable/Disable Attribute Autosave |
| D3 _H | S.M.A.R.T. Save Attribute Values |
| D4 _H | S.M.A.R.T. Execute Off-line Immediate (runs DST) |
| D5 _H | S.M.A.R.T. Read Log Sector |
| D6 _H | S.M.A.R.T. Write Log Sector |
| D7 _H | Vendor-specific |
| D8 _H | S.M.A.R.T. Enable Operations |
| D9 _H | S.M.A.R.T. Disable Operations |
| DA _H | S.M.A.R.T. Return Status |

Note. If an appropriate code is not written to the Features Register, the command is aborted and 0x04 (abort) is written to the Error register.

5.0 Seagate Technology support services

Internet

For information regarding Seagate products and services, visit www.seagate.com.

Worldwide support is available 24 hours daily by email for your questions.

Presales Support:

Presales@Seagate.com

Technical Support:

DiscSupport@Seagate.com

Warranty Support:

<http://www.seagate.com/support/service/index.html>

mySeagate

my.seagate.com is the industry's first Web portal designed specifically for OEMs and distributors. It provides self-service access to critical applications, personalized content and the tools that allow our partners to manage their Seagate account functions. Submit pricing requests, orders and returns through a single, password-protected Web interface-anytime, anywhere in the world.

spp.seagate.com

spp.seagate.com supports Seagate resellers with product information, program benefits and sales tools. You may register for customized communications that are not available on the web. These communications contain product launch, EOL, pricing, promotions and other channel-related information. To learn more about the benefits or to register, go to spp.seagate.com, any time, from anywhere in the world.

Global Customer Support

Presales Support

Our Presales Support staff can help you determine which Seagate products are best suited for your specific application or computer system, as well as product availability and compatibility.

Technical Support

Seagate technical support is available to assist you online at support.seagate.com or through one of our call centers. Have your system configuration information and your "ST" model/product number available.

Customer Service Operations

Warranty Service

Seagate offers worldwide customer support for Seagate products. Seagate distributors, OEMs and other direct customers should contact their Seagate Customer Service Operations (CSO) representative for warranty-related issues. Resellers or end users of drive products should contact their place of purchase or Seagate warranty service for assistance. Have your serial number and model or part number available.

Data Recovery Services

Seagate offers data recovery services for all formats and all brands of storage media. Our data recovery services labs are currently located throughout the world. . Additional information, including an online request form and data loss prevention resources, is available at <http://services.seagate.com/index.aspx>.

Authorized Service Centers

Seagate Service Centers are available on a global basis for the return of defective products. See www.seagate.com for the service center near you.

USA/Canada/Latin America support services

For an extensive list of telephone numbers to technical support, presales and warranty service in USA/Canada/Latin America, including business hours, go to the "Contact Us" page on www.seagate.com.

Global Customer Support

Presales, Technical, and Warranty Support

| Call Center | Toll-free | Direct dial |
|-------------------------|---------------|-----------------|
| USA, Canada, and Mexico | 1-800-SEAGATE | +1-405-324-4700 |

Data Recovery Services

| Call Center | Toll-free | Direct dial | FAX |
|-------------------------|----------------|-----------------|-----------------------------------|
| USA, Canada, and Mexico | 1-800-475-0143 | +1-905-474-2162 | 1-800-475-0158 +1-905-474-2459 |

Europe, the Middle East and Africa Support Services

For an extensive list of telephone numbers to technical support, presales and warranty service in Europe, the Middle East and Africa, go to the "Contact Us" page on www.seagate.com.

Asia/Pacific Support Services

For an extensive list of telephone numbers to technical support, presales and warranty service in Asia/Pacific, go to the "Contact Us" page on www.seagate.com.

Index

A

ACA 15
acoustics 4, 13
Active mode 10
Address 23
AFR 14
Agency certification 14
Altitude 11
Altitude, nonoperating 4
Altitude, operating 4
Ambient temperature 4, 11
ambient temperature 7
Annualized Failure Rate 14
Annualized Failure Rate (AFR) 4
Areal density 3, 6
ATA commands 23
ATA data-transfer modes supported 3
Australia/New Zealand Standard AS/NZS3548 1995 15
Australian Communication Authority (ACA) 15
Australian C-Tick 15
Average seek time 7
Average seek, read 3

B

bels 4
BPI 3
buffer 3, 6
Bytes per sector 3, 5

C

cables and connectors 18
Cache 3
cache 6
capacity 5
case temperature 11
CE mark 14
certification 14
Check Power Mode 24
chemical substances 16
China RoHS directive 16
Class B computing device 15
compatibility 14
Conducted noise 9
Conducted RF immunity 13
Configuring the drive 17
connectors 18
CSA C22.2 (950) 14
current 4
cycles 14
Cylinders 5

D

data-transfer rates 1
DC power 8
Default logical geometry 5
density 3
Device Configuration Freeze Lock 23
Device Configuration Restore 23
Device Configuration Set 23
Diagnostics 23
dimensions 20
Discs 3
dissipation 8
Download Microcode 23

E

Electrical fast transient 13
Electromagnetic compatibility 14
Electromagnetic Compatibility Directive (89/336/EEC) 14
Electromagnetic immunity 13
Electrostatic discharge 13
electrostatic discharge (ESD) 17
EN 55022, Class B 14
EN 55024 14
EN 60950 14
Environmental protection 16
Environmental specifications 11
error-correction algorithms 1
errors 4, 14
ESD 17
EU 14
European Union (EU) requirements 14
European Union Restriction of Hazardous Substances 16
evice Configuration Identify 23
Execute Device Diagnostics 23

F

FCC verification 15
features 1
Federal Communications Commission 15
Flush Cache 23
Flush Cache Extended 23
Formatted capacity 5
Formatted Gbytes 3
Freeze Lock 23

G

Gbytes 5
geometry 5
gradient 4
Guaranteed sectors 3, 5
guaranteed sectors 5

H

- handling 17
- Handling precautions 17
- heads 5
- Height 3
- height 6
- Humidity 11
- humidity 4

I

- I/O data-transfer rate 3, 6
- Identify 23
- Identify Device 23
- Identify Device command 26
- Idle 8, 24
- Idle and Standby timers 10
- Idle Immediate 24
- Idle mode 4, 10
- Idle mode power 8
- IEC950 14
- Information Technology Equipment (ITE) 14
- Initialize Device Parameters 23
- Input noise ripple 9
- Interface 6
- interface 21
- Interleave 6
- Internal data transfer rate 3
- Internal data-transfer rate 6
- ITE 14

K

- Korean RRL 15

L

- latency 3
- LBA mode 5
- Length 3
- length 6
- Load/Unload 14
- logical geometry 5

M

- master/slave 2
- Max Address 23
- maximum temperature 11
- Microcode 23
- mounting 19
- mounting screws 12
- mounting the drive 17

N

- noise 9
- nominal power 7
- Nonoperating shock 12
- Nonoperating vibration 12
- Nonrecoverable read errors 4
- nonrecoverable read errors 14

O

- Operating shock 12
- Operating vibration 12

P

- Physical characteristics 6
- Physical organization 6
- Physical read/write heads 3
- point-to-point 2, 18
- Power consumption 8
- power dissipation 8
- power management 10
- power on/off cycles 14
- Power specifications 8
- Power-management modes 10
- Power-on to Ready 7
- Power-on to ready 3
- precautions 17, 19
- programmable power management 10

Q

- quick reference 3

R

- Radiated RF immunity 13
- Radio and television interference 15
- radio frequency (RF) 13
- random track location 8
- Read Buffer 23
- Read DMA 23
- Read DMA Extended 23
- Read DMA without Retries 23
- read errors 4, 14
- Read Long with Retries 23
- Read Long without Retries 23
- Read Multiple 23
- Read Multiple Extended 23
- Read Native Max Address 23
- Read Native Max Address Extended 23
- Read Sectors 23
- Read Sectors Extended 23
- Read Sectors without Retries 23
- Read Verify Sectors 23
- Read Verify Sectors Extended 23
- Read Verify Sectors without Retries 23

- Read/write heads 5
- Read/write power 4
- read/write power and current 8
- Recording density 3, 6
- Recording method 6
- Recording technology 6
- Relative humidity 4, 11
- Reliability 14
- resistance 9
- Retries 23
- RF 13
- RoHS 16
- RPM 3
- RRL 15

S

- S.M.A.R.T. 24
- S.M.A.R.T. implementation 23
- Safety certification 14
- SATA 6, 21
- screws 12, 19
- sector 5
- sectors 5
- Sectors per track 5
- Security Disable Password 25
- Security Erase Prepare 25
- Security Erase Unit 25
- Security Freeze Lock 25
- Security Set Password 25
- Security Unlock 25
- Seek 23
- seek mode 8
- Seek power 4
- Seek time 7
- seek time 3
- Seeking 8
- Self refresh, low power 10
- Serial ATA 6
- Serial ATA (SATA) interface 21
- serial ATA ports 2
- servo electronics 8
- Set Features 23
- Set Max Address 23
- Set Multiple Mode 24
- Shock 12
- Shock, nonoperating 4
- Shock, operating 4
- single-track seeks 7
- Sleep 8, 24
- Sleep mode 4, 10
- sound power 4
- Specification summary table 3
- Spindle speed 3, 6
- Spinup 8
- spinup power 8

- Standby 8, 24
- Standby Immediate 24
- Standby mode 4, 8, 10
- Standby to Ready 7
- Standby to ready 3
- Start/stop times 7
- Startup current 4
- static-discharge 17
- support services 33
- Surge immunity 13

T

- technical support services 33
- temperature 4, 7, 11
- Temperature gradient 4, 11
- timers 10
- TPI 3
- Track density 3, 6
- Track-to-track seek time 3, 7
- TUV North America 14

U

- UL 1950 14

V

- Vibration 12
- Vibration, nonoperating 4
- Vibration, operating 4
- Voltage dips, interrupts 13
- Voltage tolerance 4, 9

W

- Warranty 14
- Weight 3
- weight 6
- Wet bulb temperature 4, 11
- Width 3
- width 6
- Write Buffer 24
- Write DMA 24
- Write DMA Extended 24
- Write Long with Retries 24
- Write Long without Retries 24
- Write Multiple 24
- Write Sectors 24



Seagate Technology LLC
920 Disc Drive, Scotts Valley, California 95066-4544, USA
Publication Number: 100528359, Rev. A, Printed in USA