

**ZANUSSI**

---

**Instructions  
for the use and care  
of DVI 42  
upright freezer**

It is most important that this instruction book should be retained with the appliance for future reference. Should the appliance be sold or transferred to another owner, or should you move house and leave the appliance, always ensure that the book is supplied with the appliance in order that the new owner can be acquainted with the functioning of the appliance and the relevant warnings.

## Freezer Warnings

**THESE WARNINGS ARE PROVIDED IN THE INTEREST OF SAFETY. YOU MUST READ THEM CAREFULLY BEFORE INSTALLING OR USING THE APPLIANCE.**

This appliance is designed to be operated by adults. Children should not be allowed to tamper with the controls or play with the product.

Any electrical work required to install this appliance should be carried out by a qualified electrician or competent person.

This product should be serviced by an authorised Zanussi Network Service Centre, and only genuine Zanussi spare parts should be used.

It is dangerous to alter the specifications or modify this product in any way.

Care must be taken to ensure that the appliance does not stand on the electrical supply cable.

Zanussi domestic freezers are designed to be used specifically for the storage of edible foodstuffs only.

Frozen food must not be re-frozen once it has been thawed out.

Manufacturers' storage recommendations should be strictly adhered to. Refer to relevant instructions.

There are working parts in this product which heat up. Always ensure that there is adequate ventilation as a failure to do this will result in component failure and possible food loss. See installation instructions.

Parts which heat up should not be exposed. Wherever possible the back of the product should be against a wall.

Before any cleaning or maintenance work is carried out, be sure to switch off the appliance and unplug.

The inner lining of the appliance consists of channels through which the refrigerant passes. If this should be punctured this would damage the appliance beyond repair and cause food loss. **DO NOT USE SHARP INSTRUMENTS** to scrape off frost or ice. Frost may be removed by using the scraper provided. Under no circumstances should solid ice be forced off the liner. Solid ice should be allowed to thaw when defrosting the appliance. See defrost instructions.

The appliance should be left for 2 hours after installation before it is turned on in order to allow the refrigerant to settle.

Do not place carbonated or fizzy drinks in the freezer as it creates pressure on the container, which may cause it to explode, resulting in damage to the appliance.

This appliance is heavy. Care should be taken when moving it.

Ice lollies can cause frost burns if consumed straight from the freezer.

Under no circumstances should you attempt to repair the appliance yourself. Repairs carried out by inexperienced persons may cause injury or more serious malfunctioning. Refer to your local Zanussi Network Centre, and always insist on genuine Zanussi spare parts.

# Index

<b>Installation</b>	Page 4
Location	Page 4
Electrical connection	Page 4
Cleaning	Page 5
<b>Use</b>	Page 6
Control panel	Page 6
Freezing food	Page 7
Helpful hints	Page 9
Ice-cube production	Page 10
Defrosting	Page 10
<b>Maintenance</b>	Page 11
Cleaning	Page 11
Defective operation	Page 11
<b>Changing the opening direction of the door</b>	Page 13

# Installation

---

## Introduction

If this new freezer, equipped with the magnetic closure of the door replaces an older type with a spring-closed door, we advise you to make sure that the door of the discarded freezer may no longer be closed from the outside.

In this way, children who come to play near the discarded freezer will be unable to close themselves within, at the risk of their lives.

## Location

We advise you to position your freezer far from all sources of heat (oven, kitchen units, or excessive sunlight). For the satisfactory operation of the freezer, the room temperature must remain within the range of from +16 and +32°C.

For building the freezer into a recessed installation area, or changing the opening direction of the door (when required), see the respective paragraph.

## Electrical Connection

This appliance operates on a 220/240 V, 50 Hz power supply. Make sure that your own electrical supply voltage is within the range marked on the rating plate located inside the cabinet.

### Earthing

**WARNING: THIS APPLIANCE MUST BE EARTHED.**

The manufacturer declines all liability when never this safety measure is not observed.

If the plug that is fitted to your appliance does not suit the wall socket, it must be cut off and fitted with an appropriate plug. The cut-off plug should be immediately disposed of to prevent the hazard of electric shocks in the event that it is plugged into a 13 Amp socket in another part of your home.

### IMPORTANT:

The wires in this mains lead are coloured in accordance with the following code:

**GREEN/YELLOW : EARTH**

**BLUE : NEUTRAL**

**BROWN : LIVE**

If you fit your own plug, the colours of the wires in the mains lead of your appliance may not correspond to the markings indicating the terminals in your plug. If this is the case, proceed as follows:

Connect the green/yellow (earth) wire to the terminal in the plug which is marked with the letter «E», or the earth symbol  $\perp$ , or coloured green, or green and yellow.

Connect the blue (neutral) wire to the terminal in the plug which is marked with the letter «N», or coloured black.

Connect the brown (live) wire to the terminal which is marked with the letter «L», or coloured red.

The plug moulded onto the cord incorporates a fuse. For replacement, use a 13 Amp BS 1362 fuse. Only ASTA-approved fuses should be used. The fuse cover/carrier must be replaced when changing the fuse. The correct fuse cover/carrier is the one shown by the coloured insert at the base of

the plug, or shown by the colour of the inscription at the base of the plug. The plug must not be used if the fuse cover/carrier is lost.


A replacement fuse cover/carrier must be obtained from the Zanussi Service Agents whose addresses are listed on the attached «Zanussi Service and Spares Nationwide». This appliance complies with E.E.C. Directive No. 87/308 dated 2/6/87 regulating the suppression of radio interference.

## **Cleaning**

Wash the inside of the appliance with lukewarm water and a little bicarbonate of soda (one teaspoonful to 1.2 L / 2 pints of water). Do not use soap or detergent as the smell might linger.

Dry thoroughly.

# Using the freezer

This freezer has been marked with the  symbol, which means it is suited to the freezing of fresh foods, the storage of frozen foods and the production of ice-cubes. The freezing power is 10 Kg/24 h.

## Control panel (Figure 1)

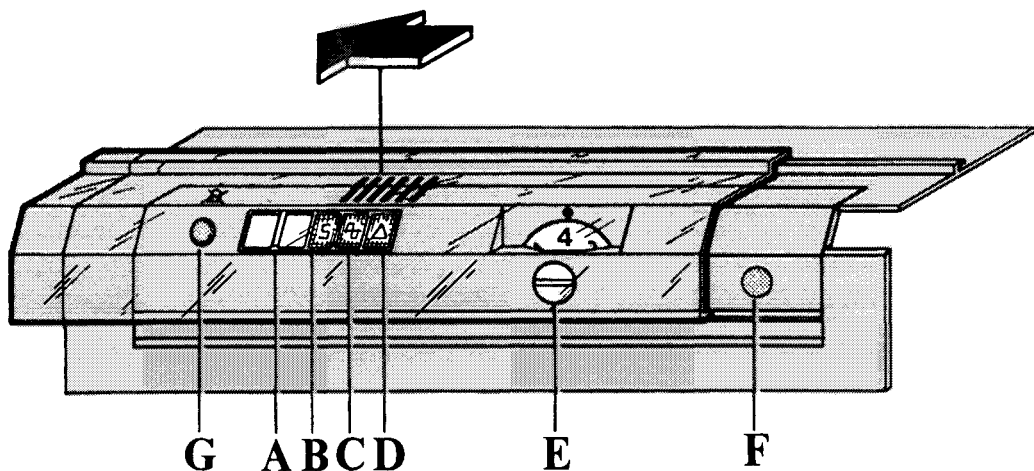


Fig. 1

---

A - Quick-freezing slider

---

B - Quick-freezing indicator light

---

C - Operation light

---

D - Warning light

---

E - Thermostat

---

F - Pushbutton for the interruption of the acoustical signal (door open)

---

G - Pushbutton for the interruption of the acoustical signal (warning light on)

---

## Starting

Insert the power supply plug into the nearest wall socket.

Turn the thermostat "E" to the right to a medium setting.

The Operation light "C" and Alarm light "D" will light up. The buzzer will sound. This signal can be stopped by depressing the pushbutton "G".

The various thermostat settings from 1 to 6 indicate progressively lower temperatures.

For the satisfactory conservation of frozen foods, the freezer's internal temperature must be lower than or equivalent to  $-18^{\circ}\text{C}$ . Wait until the Alarm light «D» turns off when the optimum temperature has been reached.

Thermostat settings may be modified according to the surrounding room temperature, the location of the freezer, and the frequency of freezer door openings, etc.

For quick-freezing, the Slider «A» must be shifted to the left until the «S» (Super) symbol is visible.

The Quick-Freezing Indicator light «B» will then turn on.

In order to turn off the freezer, turn the thermostat to the «●» position.

## Warning light and sound signal

This light (D) warns when the temperature inside the freezer has increased so much as to jeopardize the preservation of food. When the appliance is switched on for the first time or when food is placed in the freezer for freezing, this light remains on until the temperature has reached the level required for correct storage.

This appliance incorporates also an alarm which gives off a sound signal whenever the warning light comes on or when the door remains open for more than 30 secs. This signal can be temporarily stopped by depressing the pushbutton (G) (if warning lamp is on) or (F) (if freezer door is open). Should the door remain open for a long time, do press pushbutton (G) to avoid the sound signal to come on again.

## Freezing Food

Set the freezer to Quick-freezing operational status. Wait at least 3 hours before introducing fresh foods into the freezer if it has just been turned on.

If the freezer is already working, shift the slider "A" to the left until the "S" (Super) symbol is visible, at least 24 hours prior to introducing the food, for better freezing results.

This period of time may be shortened according to the quantity of food.

When Quick-freezing is being performed, the compressor works continuously and employing all of its refrigerating power to the maximum.

Once the food is completely frozen (which will take up to 24 hours, depending on the amount), return the Fast Freeze switch (A) to the right position for normal storage use. The Fast Freeze Light (B) will then be covered.

## Rules to Observe when Freezing Foods

All products to be frozen must be fresh and of excellent quality. Each freezing package must be adjusted to the family's consumption quantity in order to be used just once. Small-sized freezing packages allow a more rapid and uniform freezing.

Do not forget that once frozen foods have thawed out, they spoil rapidly.

Low-fat content foods are better conserved in the freezer than those with higher fat contents. Salt (whenever present) reduces the duration of satisfactory conservation. Foods to be frozen must be enclosed in air-tight bags or containers specially indicated for the purpose.

Close the bags or containers tightly to eliminate all air.

Never place bottles or cans of carbonated beverages in the freezer.

These might explode.

Never introduce hot foods or liquids.

Never fill freezing bags or containers with covers to the brim.

Do not consume ice lollies immediately after removing them from the freezer; their extremely low temperatures might cause burns.

Indicate the freezing date on every bag or container as a means of controlling the stocking time.

Do not freeze quantities of food which exceed the values indicated on the rating plate all at once (10 Kg/24 h).

Never open the freezer door or introduce new foods to be frozen whenever a Quick-freezing phase is already in progress.

Arrange the foods to be frozen in the upper compartment so that these do not come into contact with already frozen products, because the higher surface temperature of the food to be frozen might rise the temperature of the already-frozen foods. When the necessary freezing time has elapsed, remove the newly-frozen foods from the upper compartment and place them in the containers below to free the upper compartment for new foods to be frozen.

### Important:

When electrical current happens to be cut off, the door must not be opened. If the power failure is of a short duration (from 6 to 8 hours), and the freezer is full, there is no risk that the food will spoil.

If the power failure lasts longer, the food must be consumed as rapidly as possible, or otherwise cooked and re-frozen again.

### Note:

On the inner door you will find a list of foods followed by a number. These numbers indicate the maximum period of time for which the food in question may be conserved (in months).

On the front of the frozen food containers, labels have been attached where you may write the dates relating to the freezing of the food (we advise you to use a pencil).



## **Frozen food storage**

Your freezer has the following storage capacity:

Net storage volume: 95 litres.

When the freezer is being turned on for the first time, or after a prolonged period of disuse, set it to the previously-mentioned Quick-freezing status and then wait at least two hours before introducing the food to be conserved. You may then reset the freezer for normal storage use.

This two-hour waiting period may be avoided if the freezer has already been in operation.

## **Helpful Hints**

Always check the preparation date indicated on the frozen foods you buy and note the expiry date provided by the producer.

Do not open the freezer door too often and leave it open only for the minimum time necessary. Unnecessary increases in temperature will notably reduce the duration of frozen food conservation.

Make sure that all frozen food packages are intact; otherwise, the food may have spoiled. If such packages present signs of swelling or humidity marks, this means that the food has not been conserved correctly, implying that the product has lost some of its original quality.

When buying frozen foods, carry a thermally insulated shopping bag whenever possible. In any case, always purchase your frozen foods at the end of your shopping. Wrap the frozen foods in news-paper and then put them into the freezer as soon as you arrive home. Always check the frozen foods you buy carefully at the moment of purchase, because even partially-thawed foods must not be re-frozen but must be consumed within 24 hours of purchase.

## **Thawing-out Frozen Foods**

Frozen foods must be allowed to thaw out before use either in the refrigerator (meat, poultry, fish, etc.) or at room temperature (all other foods) according to the available time.

Frozen products which come in small-sized or separate packages may be cooked directly without thawing; obviously, in this case the cooking times will last a little longer.

## Ice-cube Production

This freezer is equipped with trays for the production of ice-cubes which will give complete satisfaction for all domestic needs. Fill these trays with water to 3/4 of their height, then put them in the Quick-freezing compartment in the upper part of the freezer.

If the water in your area is rich in mineral salts (limestone in particular), we advise the use of non-carbonated mineral water with low mineral content for the production of your ice-cubes.

The ice-cubes may be shaken out from the trays by simply twisting; do not use metallic instruments to remove the trays from the freezer.

## Defrosting

Scrape away the layer of frost with the plastic scraper provided with the freezer when this layer arrives to approximately 4 mm in height. For this operation you do not need to unplug the freezer or take out all frozen foods.

Whenever the layer of frost exceeds 4 mm in thickness, you must proceed to a complete defrosting. Take advantage of the periods when you do not have too much food in storage to do this.

Proceed as follows:

Empty the containers and temporarily store the frozen food removed in a cool place, wrapped in several sheets of news-paper or even better, in thermally insulated containers.

### Important

A temperature rise of the frozen food packs during defrosting may shorten their storage life.

Set the thermostat to the «●» position or unplug the freezer from the wall socket. Keep the freezer door open.

Dry the freeze surfaces with care.

Reset the thermostat to the desired position or re-connect the plug. Then set the freezer to Quick-freezing status.

After two hours you may replace the frozen food removed previously.

### Important:

Never use knives or metal objects to scrape away accumulated frost.

# Maintenance

---

## Cleaning

When performing a complete defrosting, wash the internal surfaces of the freezer with lukewarm water and bicarbonate, rinse and then accurately dry.

## Extended periods of inoperation

Whenever the freezer is not to be used for an extended period of time, disconnect it from the wall socket and empty and clean all internal surfaces. Remember to leave the door open for the entire period the freezer is not to be used.

## Defective operation

Before calling your local dealer for servicing assistance, check the following points to see if you may not solve the problems yourself:

Make sure that the freezer is plugged in to the wall socket correctly, and that electrical current arrives to the freezer without interruption.

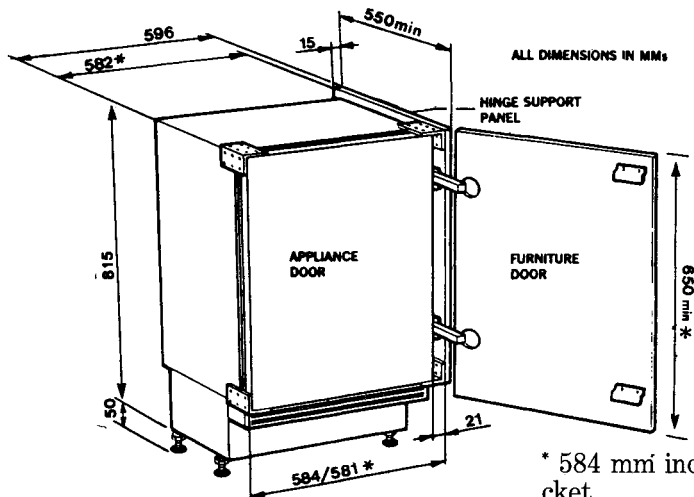
Control the correct setting of the thermostat.

In the event that defective operation continues after these controls, contact your local Zanussi Service Network whose details can be found under «Z» in your local telephone directory and provide all of the data listed on the rating plate: the model, serial number, etc.

**IN-GUARANTEE CUSTOMERS  
SHOULD ENSURE THAT THE  
ABOVE CHECKS HAVE BEEN  
MADE AS THE ENGINEER WILL  
MAKE A CHARGE IF THE FAULT  
IS NOT A MECHANICAL OR  
ELECTRICAL BREAKDOWN.**

Please note that it will be necessary to provide proof of purchase for any in-guarantee service calls.

# Installation characteristics



\* 584 mm including alternative hinge bracket.

\* 581 mm excluding alternative hinge bracket.

(The alternative hinge bracket may be removed where necessary).

## Note: the furniture hinge panel and furniture hinges are not supplied with the product.

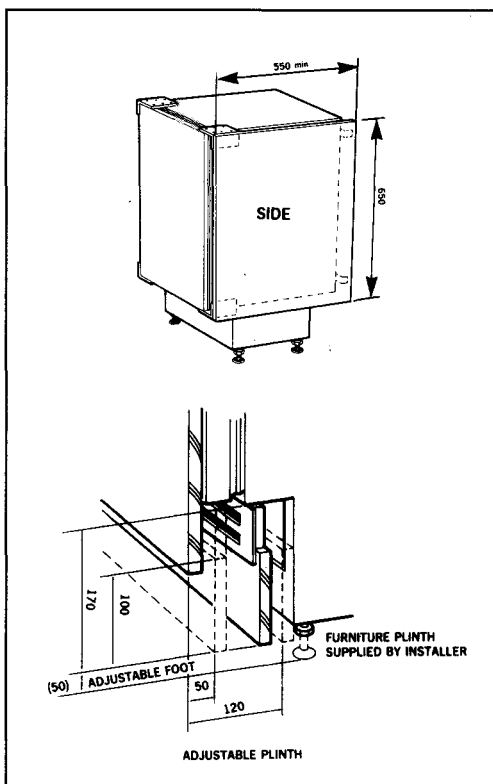
The recommended dimensions of the furniture hinge panel is H 650 x W 15 x D 550 mm. This allows a 10 mm overhang at the rear of the product on which to secure the panel with the brackets provided.

\* The specified minimum height of the furniture door is the drop required to cover the appliance door and does not overlap the aeration grill, so dependent on the depth of the furniture plinth, the grill may be visible under the door.

A furniture door height of 715 mm is required to completely cover both the appliance door and aeration grill, regardless of the depth of the plinth.

The aeration grill is secured to the top of the furniture plinth (see illustration) and is variable in depth from 50-120 mm.

The plinth line height created by the furniture door is variable from 100 mm to 170 mm. (A further height variation of up to 50 mm can be made by the adjustable feet of the appliance).



# Changing the Opening Direction of the Door (Fig. 2)

Remove the aeration grill located on the front of the freezer («G», Fig. 8).

## Right hand door opening

The appliance is delivered with right hand door opening.

## Left hand door opening (Fig. 2)

Unscrew the pins «A» both above and below. Remove the spacers «B», and then the door: Unscrew the fastening screws «C».

Shift the hinges and insert the screws into the holes «D».

## Building the Freezer into a Recessed Installation Area

Fasten the lateral panel (minimum 100 mm.) to the upper and lower hinge by following Figure 3.

Put the door back into position, with the pins «A» and the spacers «B» (Fig. 2).

Fasten the lateral panel to the rear of the freezer with the fixing brackets (Fig. 4).

Fig. 3

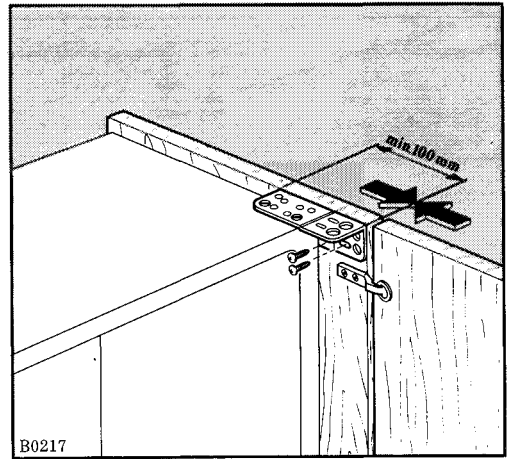


Fig. 4

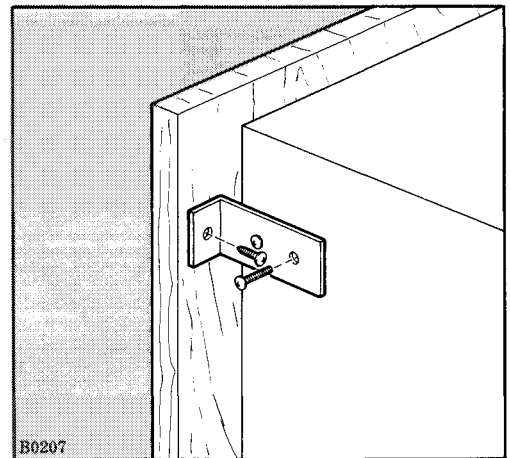
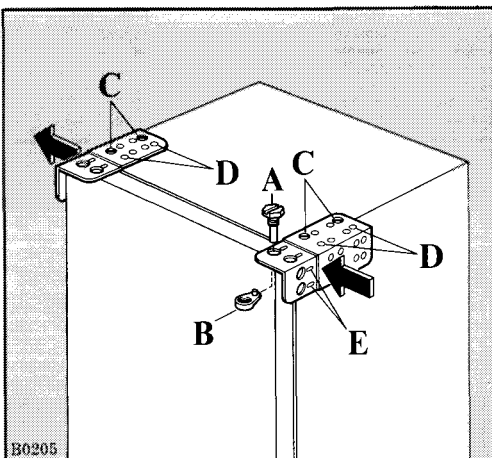
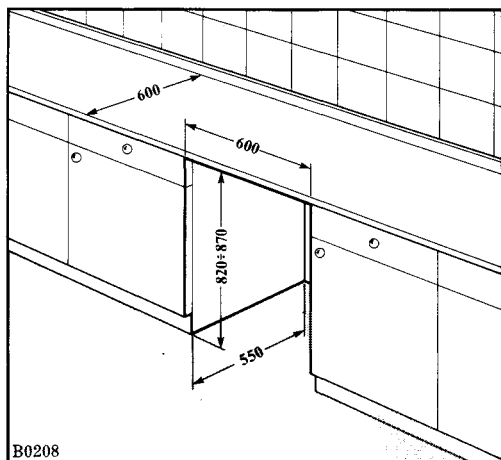


Fig. 2



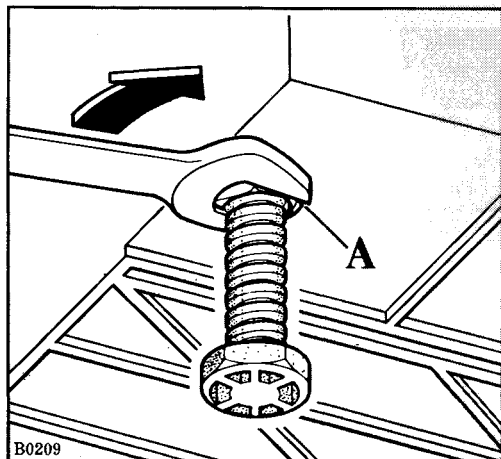
The height of the recessed installation area may range from 820 to 870 mm (Fig. 5). The freezer is equipped with adjustable support feet (Fig. 6).

Fig. 5



B0208

Fig. 6



B0209

To adapt the freezer to the height of the installation area, completely unscrew the support feet, then tighten the lock-nuts «A» and re-mount the support feet.

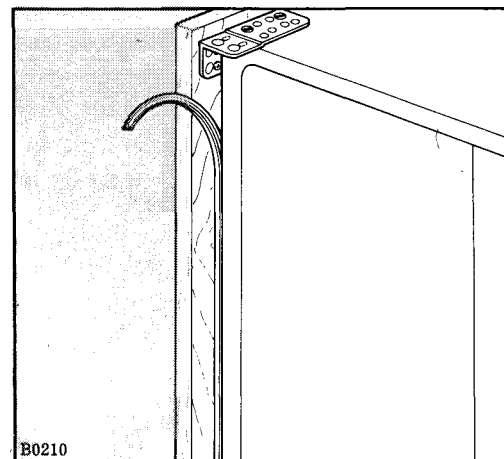
The last step is to adjust the height and tightly fasten the lock-nuts.

Insert the freezer into the recessed installation area and place it against the interior walls of the adjacent cabinet, on the opposite side to that where the hinges are set. Fasten the freezer to the working surface or the sides, using the holes «E» (Fig. 2).

Then apply the sealing strip between the freezer and the adjacent cabinet (Fig. 7). The base «F» (Fig. 8) may be set at different depths to a maximum of 55 mm.

Ventilation occurs by means of the front aeration grill «G» (Fig. 8). Air enters from the right side and exits from the left side.

Fig. 7



B0210

Fasten the aeration grill into position with the two screws after having shifted the guides to conform to the opening direction of the door.

Mount runner «H» onto the door at the desired height (Fig. 9).

Open the freezer door and the cabinet door according to Figure 10.

Let runner «I» slide over runner «H».

Drill holes on the appliance's door and fasten the runner. The slotted holes allow an easy mounting of the items (Fig. 11).

Fig. 9

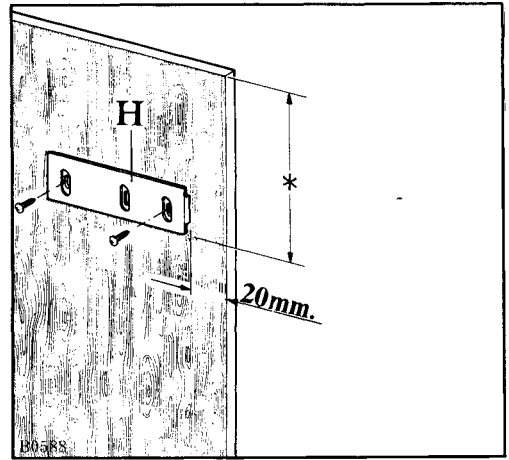


Fig. 10

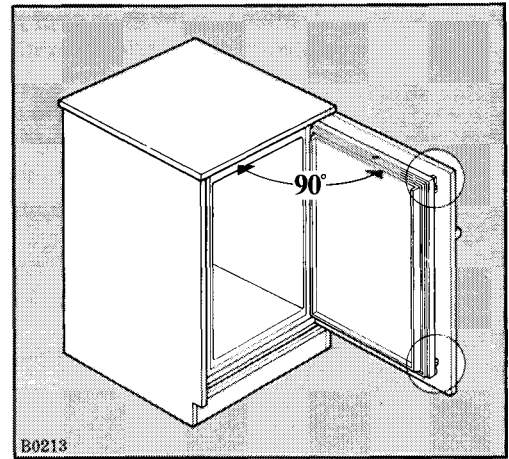


Fig. 8

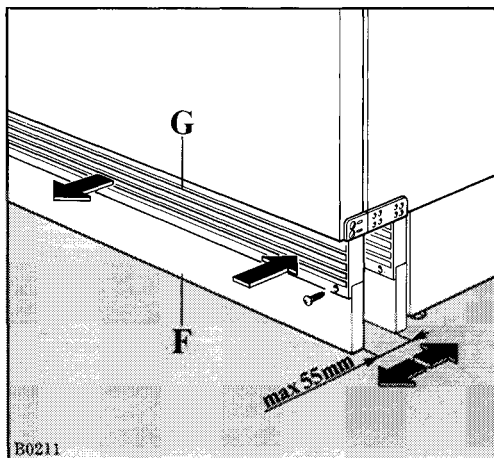
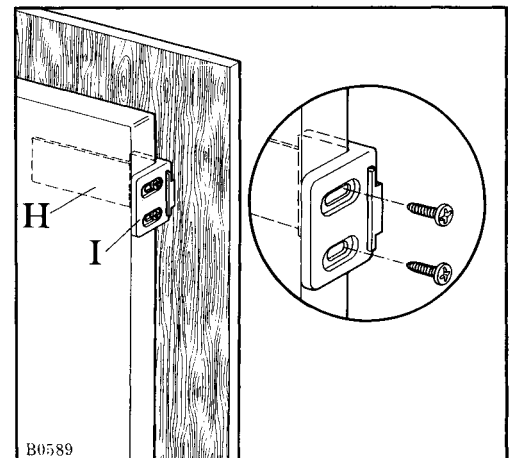


Fig. 11



**How to find the telephone number of  
your  
Zanussi Service Force  
listed in this leaflet**

Zanussi Service areas are allocated by postcodes which are listed in alphabetical order for easy reference.

1. Look for the two letters of your address postcode in the far left 'Postcode' column.
2. Match up the number of your postcode against the number listed in the 'Postcode Numbers' column.
3. Look across the column to the Service Force-Key Number for your area. Turn to the last page of this directory for the address and telephone number to contact for service which is listed against your key number.

If you are unsure of your postcode, the main towns and cities are listed in alphabetical order for easy reference.

Additionally, your local Zanussi Service Force Centre telephone number is listed under 'Z' in your telephone directory.

The Customer Care Department at Zanussi House, Hambridge Road, Newbury, RG14 5EP, Tel: 0635 521313, will be happy to help you with any queries or difficulties.





Post-code Letter	Town	Post-code Number	Service Force Key Number	Post-code Letter	Town	Post-code Number	Service Force Key Number
AB	Aberdeen	1-5, 22-23, 30-38	1	DE	Derby	11-12	18
AB		41-45, 51-56	1	DE	Derby	4-5, 55	33
AL	St Albans	1-10	2	DG	Dumfries	1-7, 10-12, 14	34
A	Brecon	45	3	DG		8-9	34
BA	Bath	1-5, 11-15	4	DG	Dumfries	13	35
BA		7-10,20-22	5	DH	Durham	1-9	37
BA		6,16	6	DL	Darlington	1-17	37
BB	Blackburn	1-12	7	DN	Doncaster	1-7, 10-12, 22	33
BD	Bradford	1-23	8	DN		14	38
BD		24	7	DN	Doncaster	8-9, 15-21, 31-40	39
BH	Bournemouth	1-25	9				
BL	Bury	0-9	11	<b>SUB POSTCODE DIVISION</b>			
BN	Brighton	1-15,	12	DN	Gainsborough		
BN		20-27	12		<b>South</b>	21-1, 21-2, 21-5	40
BN		16-18	13	DN	Gainsborough		
BR	Bromley	1-8	14		<b>North</b>	21-3, 21-4	39
BS	Bristol	1-28, 88-89	15	DT	Dorchester	1-5, 10-11	9
BT	Belfast	1-82	16	DT		6-9	5
B	Birmingham	1-21, 25-33,	17				
B		38, 40, 45, 47-48,	17	<b>SUB POSTCODE DIVISION</b>			
B		60-71, 80, 90-94,		DT	Bridport East	6-3, 6-4	5
		97-98	17	DT	Bridport West	6-5, 6-6	5
B	Birmingham	23-24, 34-37,	18	DY	Dudley	1-6, 8-9	17
B		42-44, 46, 72-	18	DY		7, 10-14	41
B		79	18	EC	London	All EC Codes	28
B	Birmingham	49-50,	20	EH	Edinburgh	1-42, 46, 52-54	42
B		96	19	EH		43-45	35
B	Birmingham	95	20	EH	Edinburgh	47-49, 51, 55	43
CA	Carlisle	1-28	21	EN	Enfield	1-11	28
CB	Cambridge	1-8	22	EX	Exeter	1-17, 20	45
CB		9-11	23	EX		18-23, 31-39	46
CF	Cardiff	1-8, 31-48	3	E	London	All East Codes	28
CH	Chester	1-4	24	FK	Falkirk	1-4	43
CH		5-7	25	FK		10-14, 18-19	32
CH		8	26	FK	Falkirk	5-9, 15-17	47
CM	Chelmsford	0-6, 8-9, 11-15	27	FK		20-21	31
CM		7	23	FY	Fleetwood	0-8	7
CM	Chelmsford	16-24	28	GCI	Guernsey		48
CO	Colchester	1-16	23	GL	Gloucester	1-19,	49
CR	Croyden	0-9	29	GL		50-56	49
CT	Canterbury	1-21	36	GL		9	15
CV	Coventry	1-8, 10-12, 21-23,	20	GL		20	19
CV		9, 13	18	GU	Guildford	1-24, 26, 34-35	50
CV	Coventry	31-37	20	GU		25	51
CV		36	19	GU	Guildford	27-33	13
CW	Crewe	1-12	30	G	Glasgow	1-5, 11-15, 20-23,	47
DA	Dartford	1-18	29	G		31-34, 40-46, 51-	47
DD	Dundee	1-5, 7-11	31	G	Glasgow	53, 58, 60-69, 73,	47
DD		6	32	G		76-78, 81-84	47
DE	Derby	1-3, 6-7, 13-15	10	G	Glasgow	71-72, 74-75	43

Post-code Letter	Town	Post-code Number	Service Force Key Number	Post-code Letter	Town	Post-code Number	Service Force Key Number
HA	Harrow	0-9	2	MK	Milton Keynes	1-17, 19, 40-46	22
HD	Huddersfield	1-8	8	MK		18	65
HG	Harrogate	1-5	8	ML	Motherwell	1-12	43
HP	Hemel	1-3	2	M	Manchester	1-35, 60	11
HP	Hempstead	4-23	53	NE	Newcastle-on-Tyne	1-49, 61-70, 88	66
HR	Hereford	1-2, 4, 6-9	49	NE		98-99	66
HR		3, 5	54	NE		71	35
HU	Hull	1-20, 55	38	NG	Nottingham	1-14	10
HX	Halifax	1-7	8	NG		15-22, 25	33
IG	Ilford	1-11	28	NG	Nottingham	23-24	40
IOM	Isle of Man		55	NG		31-34	64
IP	Ipswich	1-15, 30-31	56	NN	Northampton	1-7, 11-12	67
IP		16-27	57	NN		8-10, 14-18	22
IP	Ipswich	28-29, 32-33	22	NN	Northampton	13	65
IV	Inverness	1-24, 26, 30-36,	58	NP	Newport	1-9, 44	3
IV		40-49, 51-56	58	NR	Norwich	1-35	57
IV	Inverness	25, 27-28	59	NW	London	All NW Codes	52
JCI	Jersey		60			<b>Except 2,4,7,9,10</b>	
KA	Kilmarnock	1-26, 28-30	43	NW	London	2,4,7,9,10	2
KA		27	61	N	London	All N Codes	28
KT	Kingston-on-Thames	1-23	51	OL	Oldham	1-12, 15-16	11
KT		24	50	OL		13-14	7
KW	Wick	1-14	59	OX	Oxford	1-17	65
KW		15-17	62	PA	Paisley	1-4	47
KY	Kirkcaldy	1-16	32	PA		5-19	43
LA	Lancaster	1-23	7	PA	Paisley	20-27, 33, 35, 40-	68
LD	Llandrindod	1-8	54	PA		49	68
LD		3	3	PA		28-31	69
LE	Leicester	1-5, 7-8, 11-14,	63	PA	Paisley	32, 34, 36-39, 61	70
LE		16-17	63	PA		62-78	68
LE	Leicester	6, 9-10	63	PA	Paisley	80-82, 88	71
LE		15	64	PA		83-87	72
LL	Llandudno	11-15	25	PE	Peterborough	1-15, 34, 38	64
LL		16-19	26	PE		16-19	22
LL	Llandudno	20-21, 23, 27, 31-	25	PE	Peterborough	20-25	40
LL		32, 34-40, 42-47	25	PE		30-33, 35-37	57
LL	Llandudno	22, 24-26, 28-30,	26	PH	Perth	1-2, 8-9, 10-18	31
LL		33-34, 41, 48-49,	26	PH		3-7	32
LL		51, 78	26	PH	Perth	19-26, 30-44	58
LN	Lincoln	1-6, 8-10	40	PL	Plymouth	1-21	73
LN		7, 11-13	39	PL		22-35	74
<b>SUB POSTCODE DIVISION</b>				PO	Portsmouth	1-22	13
LN	Lincoln	3-4, 3-5	40	PO	I.O.W.	30-41	75
LN		3-6	39	PR	Preston	1-9	7
LS	Leeds	1-29	8	RG	Reading	1-17, 26	53
LU	Luton	1-6	2	RG		21-25, 27	50
LU		7	22	RG	Reading	28	4
L	Liverpool	1-49, 60-70	24	RH	Redhill	1-3, 6-7, 9-20	12
ME	Medway	3	29	RH		4-5	50
ME		1-2, 4-20, 99	36	RH	Redhill	8	29

Post-code Letter	Town	Post-code Number	Service Force Key Number	Post-code Letter	Town	Post-code Number	Service Force Key Number
RM	Romford	1-5, 7, 10-18	27	TR	Truro	1-27	74
RM		6, 8-9	28	TS	Stockton-on-Tees	1-29	37
SA	Swansea	1-18, 31-32	3	TW	Twickenham	1-20	51
SA		33-39, 41-44, 61-73	76	UB	Uxbridge	1-10	2
SA	Swansea	19-20, 40, 45-48	77	WA	Warrington	1-5, 8-9, 10-15	11
SE	London	All SE Codes	14	WA		6-7	24
SG	Stevenage	1-9, 11,15	2	WA	Warrington	16	30
SG		10, 12-14	28	WC	London	All WC Codes	44
SG	Stevenage	16-19	22	WD	Watford	1-2, 4-7	2
SK	Stockport	1-3, 6-12	30	WD		3	53
SK		4-5, 13-16	11	WF	Wakefield	1-17	8
SK	Stockport	17	33	WN	Wigan	1-5, 7	11
SL	Slough	1-10	53	WN		6,8	24
SM	Sutton	1-3, 7	51	WR	Worcester	1-14	19
SM		4-6	29	WR		15	41
SN	Swindon	1-8, 11-16	65	WS	Walsall	1-15	18
SN		9-10	4	WV	Wolverhampton	1-4, 10-14	18
SO	Southampton	1, 4, 41 -43, 51	9	WV		5-9, 15-16	41
SO		2-3, 5, 21-24, 52	13	W	London	All West Codes	52
SO	Southampton	20	4			Except 1-14	
SP	Salisbury	1-5, 9-11	4	W	London	3, 4, 5, 7, 13	2
SP		6	9	W	London	1-2, 6, 8-12, 14	44
SP	Salisbury	7-8	9	YO	York	1-3, 5, 7-8	8
SR	Sunderland	1-7, 9	66	YO		4, 6, 11-18, 25	38
SR		8	37	YO	York	21-22	37
SS	Southend-on-Sea	0-9, 11-17 ,99	27	ZE	Lerwick	1, 3	79
ST	Stoke-on-Trent	1-18, 20-21	30	ZE		2	80
ST		19	18				
SW	London	2, 9, 16	14				
SW	London	1-3, 5-7, 10	44				
SW	London	4, 8, 11-15, 17-20	51				
SY	Shrewsbury	1-6, 9-17, 18-22	25				
SY		7, 17-19	54				
SY	Shrewsbury	8	41				
SY		23-25	77				
S	Sheffield	1-19, 30-31, 40-45	33				
S		60-66, 74, 80-81	33				
S	Sheffield	70-73, 75	8				
TA	Taunton	1-11, 21-24	6				
TA		12-20	5				
TD	Selkirk	1-15	35				
TF	Telford	1-8, 10-13	41				
TF		9	30				
TN	Tonbridge	1-2, 4, 8-11, 13-16	29				
TN		12, 17-19, 23-40	36				
TN	Tonbridge	3, 5-7	12				
TQ	Torquay	1-6, 9, 12-13	78				
TQ		7-8	73				
TQ		14	45				

Service Force Key Number	Service Force Address	Telephone Number	Service Force Key Number	Service Force Address	Telephone Number
1	60 Commerce Street, Aberdeen, AB2 1BP	0224 583949	21	High Ehenside, Egremont, Cumbria, CA22	0946 820509
	or Tel:	0224 582704	22	1 Wharf Road, Higham Ferrers, Northants	0933 317727
2	Unit 4, Riverside Est, Coldharbour Ln, Harpenden	0582 461909	23	Unit 2b, Elton Park Business Centre, Hadleigh	
3	3 Pentwyn Road, Blackwood, Gwent, Sth Wales	0495 223151		Road, Ipswich, IP2 1DQ	0473 211713
4	31 St Andrews Road, Bemerton, Salisbury, SP2	0722 336072	24	Unit 14, Dock Road, Birkenhead, L41 1JJ	051 639 1287
5	3 Bancombe Ct. Trad. Est., Martock, Yeovil, TA12	0935 822836	25	Plas Fynnon W/house, Middleton Rd, Oswestry	0691 652917
6	80 Killigrew Street, Falmouth, Cornwall, TR11	0984 31858	26	Easy Launderette, Panton Hall, Denbigh, Clwyd	0745 81 3272
7	333 Ranglet Road, Walton Summit, Preston, PR5	0772 321200	27	19 Sirdar Rd, Off Brook Rd, Rayleigh, Essex	0268 741171
8	57 Ingram Road, Holbeck, Leeds, Yorks,	0532 460992	28	284 Alma Road, Enfield, EN3	081 805 6825
9	63 Curzon Road, Bournemouth, BH1 4PW	0202 303363	29	Unit B4, Imperial Bus. Estate, Gravesend, Kent	0474 353771
10	Unit 2, Furnace Road, Ilkeston, Derbyshire	0602 442770	30	Unit 8, Croft Road, Newcastle under Lyme, Staffs, ST5 OTW	0782 713003
11	Unit 41/42 Clarendon Ct, Winwick Quay, W'ton	0925 50822	31	3-7 Blackness Street, Dundee, Scotland, DD1	0382 642828
12	Unit 3, 21/25 Bridge Road, Haywards Heath, RH1	0444 417656		or Tel:	0382 455862
13	266 Main Road, Southbourne, Emsworth, PO10	0243 374814		or Tel:	0382 826809
	or Tel:	0243 371170	32	33a Burnside, Auchtermuchty, Fife, Scotland	0337 28807
14	9 Bourne Road, Bromley, Kent, BR2 9PB	081 3139533	33	Unit 63, Storforth Ln Trad. Est. Chesterfield	0246 231790
15	Unit 1, Albert Crescent, Bristol, BS2 0YH	0272 713217	34	93 Irish Street, Dumfries, Scotland	0387 69694
16	Owenmore Hse, Kilwee Ind. Est., Upper Dunmurry Lane, Belfast	0232 301121	35	2-8 Wood Market, Kelso, Borders, TD5 7AX	0573 24411
17	66 Birch Rd East, Wyreley Rd Ind. Est, B'ham	021 327 1671	36	Unit 2, Bridge Rd Bus. Centre, Bridge Road, Ashford, Kent, TN23 1BB	0233 613463
18	Unit 3 Sterling Park, Claymore, Tamworth	0827 289800	37	8 Cumbie Way, Aycliffe Ind. Est. Newton Aycliffe	0325 300606
	or Tel:	0827 289822	38	Unit 1, Boulevard Unit Fact. Est. Hull, HU3 4AY	0482 223335
19	22 Newton Road, Malvern, Worcester, WR141NZ	0684 572915	39	Unit 2, Cromwell Road, Grimsby, DN31 2BN	0472 358760
20	Unit 23/24, Alliance Business PK, Townsend Drv, Nuneaton, CV11	0203 350666	40	Unit 14 Stonefield Park, Clifton Street, Lincoln	0522 532330

Service Force Key Number	Service Force Address	Telephone Number	Service Force Key Number	Service Force Address	Telephone Number
41	1 Underhill Street, Bridgnorth, Salop, WV16	0746 763322	61	Bruach, Blackwaterfoot, Isle of Arran	077 086 246
42	38 Buccleuch Street, Dalkeith, Midlothian, EH22	031 663 7758	62	Hatson Ind. Estate, Kirkwall, Orkney	0856 5457
43	Block 2 Unit 5, Auchenraith Ind. Est. Rosendale Way, Blantyre	0698 828145	63	75 St Marys Road, Market Harborough, Leics	0858 433229
44	4 Royal Lane, Yiewsley, W-Drayton, UB7	0895 441917	64	Pinfold Rd, Manning Rd Ind. Est. Bourne, Lincs	0778 422147
45	91 Exeter Road, Exmouth, Devon, EX8 1QD	0395 263531	65	Unit E19, Telford Rd, Launton Ind. Est. Bicester	0869 248598
46	3 Bear St, Barnstaple, North Devon, EX32	0271 71774	66	Unit C1, Bergen Cl, Tyne Tunnel Trad. Estate, North Shields, Tyne & Wear	091 2960166
47	Unit E6C Annesland Ind. Est. Netherton Rd, Glasgow, Scotland	041 954 5304	67	53 Sandringham Road, Northampton, NN1	0604 37061
	or Tel:	041 954 5349	68	96 Argyll Street, Dunoon, Argyll, PA23 7NE	0369 2147
48	Blencathra, Saumarez Lane, Castel, Guernsey	0481 56854	69	43 Crosshill Avenue, Cambeltown, Argyll	0586 52008
49	134 Eastgate Street, Gloucester, GL1 1QT	0452 422488	70	Moss Field Workshop, Moss Field Drive, Oban	0631 664530
50	Unit 1 Redfields Ind. Pk, Church Crookham, Fleet	0252 851414	71	2 Killweivagh, Gregory, Benbecula, Outer Hebrides	0870 2331
51	127 Walton Road, Molesey, Surrey, KT8 0DT	081 9796366	72	Churchouse, 16 James St, Stornaway, Isle of Lewis	0851 705555
	or Tel:	081 9797962	73	16 Faraday Mill, Cattedown, Plymouth, PL4	0752 257455
52	Unit 4, Riverside Est, Coldharbour Ln, Harpenden	0582 461909	74	80 Killigrew Street, Falmouth, Cornwall, TR11	0326 314600
53	Reform Road, Maidenhead, Berkshire	0628 783711	75	109-111 Hunnyhill, Newport, Isle of Wight	0983 523062
54	Merion House, High Street, Llandrindod Wells	0597 824842	76	Roch, Haverfordwest, Dyfed	0437 710366
55	South Quay Industrial Estate, Douglas, I.O.M.	0624 622114	77	Unit 16, Llambod Ind. Est., Lampeter, SA48	0570 423424
56	Unit 2b, Elton Park Business Centre, Hadleigh Rd, Ipswich, IP2 0DQ	0473 211713	78	278 Torquay Road, Preston, Paignton	0803 529969
57	75 Grove Road, Norwich, NR1 3RL	0603 629653	79	3-4 Carlton Place, Lerwick, Shetland, ZE1	0595 2915
58	Unit 3B3, Smithton Ind. Est. Smithton, Inverness	0463 791822	80	Harlsdale, Symbister, Whalasa, Shetland	08066 546
59	Drummuie Road, Golspie, Sutherland, KW10 6SY	0408 633517	81	London House, Victoria Str., Alderney	048182 3563
60	P.O.Box 45, Queens Road, St Helier, Jersey	0534 67001			

# PEACE OF MIND FOR TWELVE MONTHS

## Zanussi guarantee conditions

This guarantee is in addition to your statutory and other legal rights which will not be excluded or in any way diminished by the return of this guarantee card.

We, Zanussi Ltd., undertake that if, within twelve months of the date of the purchase, this ZANUSSI appliance or any part thereof is proved to be defective by reason only of faulty workmanship or materials, we will, at our option, repair or replace the same **FREE OF ANY CHARGE** for labour, materials or carriage on condition that:

- \* The appliance has been correctly installed and used only on the electricity supply stated on the rating plate.
- \* The appliance has been used for normal domestic purposes only, and in accordance with the manufacturer's operating and maintenance instructions.
- \* The appliance has not been serviced, maintained, repaired, taken apart or tampered with by any person not authorised by us.
- \* The appliance is still in the possession of the original purchaser.

All service work under this guarantee must be undertaken by a Zanussi Service Force Centre.

Home visits are made between 8.30 am and 5.30 pm Monday to Friday. Visits may be available outside these hours in which case a premium will be charged.

Any appliance or defective part replaced shall become our property.

## Exclusions

This guarantee does not cover:

- \* Damage or calls resulting from transportation, improper use or neglect, the replacement of any light bulbs or removable parts of glass or plastic.
- \* Costs incurred for calls to put right machines improperly installed or calls to machines outside the UK and the Republic of Ireland.
- \* Appliances found to be in use within a commercial or similar environment, plus those which are the subject to rental agreements.
- \* Products of Zanussi manufacture which are NOT marketed by Zanussi Ltd.
- \* EEC Countries - The standard guarantee is applicable but subject to the owner's responsibility and cost to ensure the appliance meets the standards set by the country to which the product is taken. The Zanussi company in the country concerned will be pleased to advise further. Sight of your purchase receipt will be required by them.

# ... OR FIVE YEARS

## Zanussi 5 years cover conditions

For a once-only payment you can extend your Standard Guarantee to 5 years. All the conditions and exclusions of the Standard Guarantee apply.

## Notes

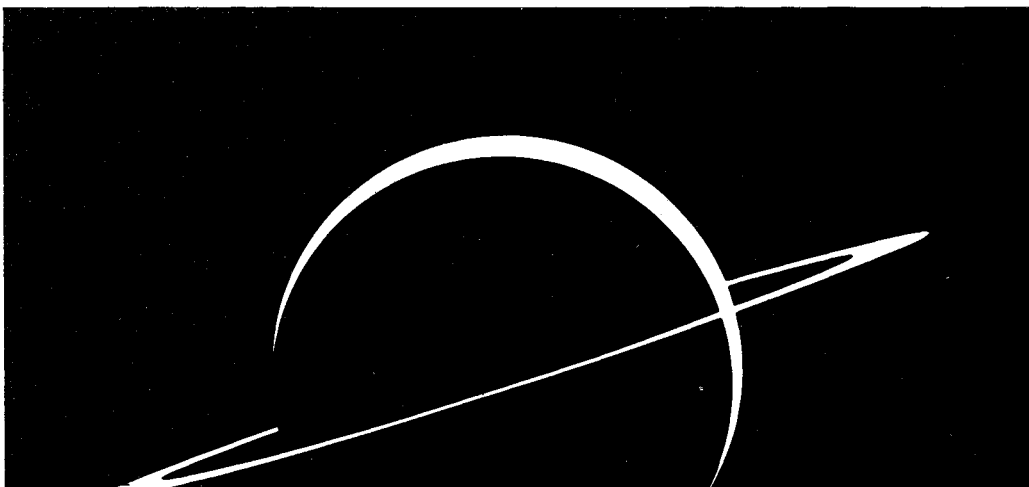
1. Products supplied as “seconds”, refurbished, damaged, or shop-soiled are not eligible for Zanussi 5 Year Cover.
2. The issue of a cover does NOT by virtue of our having done so, nullify the exclusions.
3. The Engineer will need to check the details of your Certificate and may make a charge for his services if it is not presented to him at the time of his call.
4. The date of purchase, or the date of initial payment (deposit) of the appliance will be deemed the date of commencement of cover.
5. Covers issued are not refundable or transferable.

## Guarantee record

Appliance purchased from..... on.....

Guarantee card no..... Model no.....

Serial no..... (These details may be taken from your Guarantee Record Card)



# ZANUSSI

The appliance of science

Zanussi Ltd., Zanussi House, Newbury.

The information in this manual is correct at time of going to press.  
Zanussi reserve the right to alter specifications without notice.

