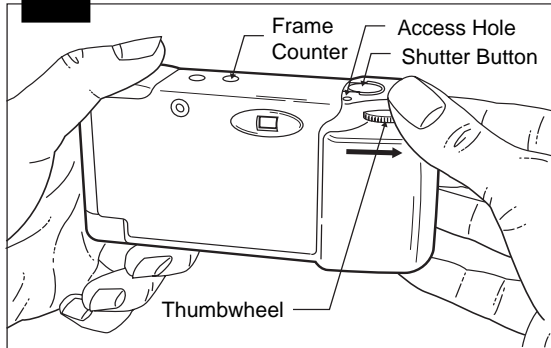


CURRENT INFORMATION SUMMARY

Opening Instructions for the KODAK ADVANTIX Flash One-Time-Use Camera

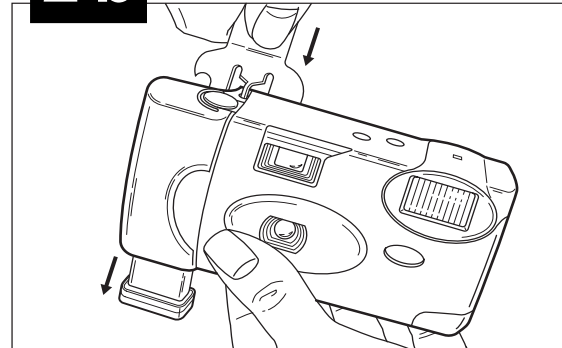
Wear eye protection when opening all cameras.

1 Wind Off



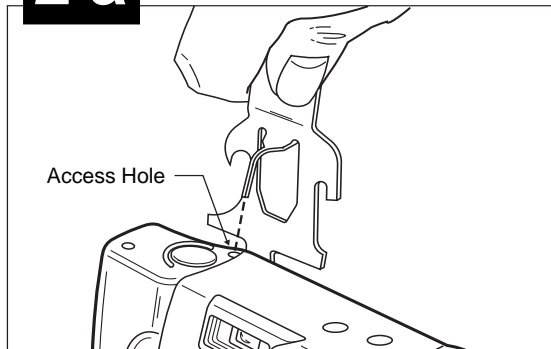
- Check the Frame Counter window, **X's must be visible.**
- Check the Access Hole, **it must be black.**
- If not, grip camera, press Shutter Button and turn Thumbwheel until it stops.

2 b



- Push down until film cassette pops out.

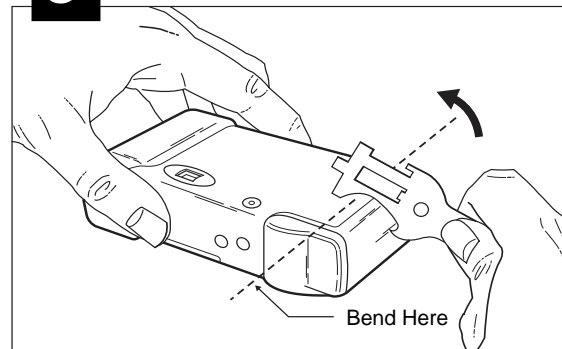
2 a Remove Film



- Insert the punch end of the opening tool into the Access Hole.

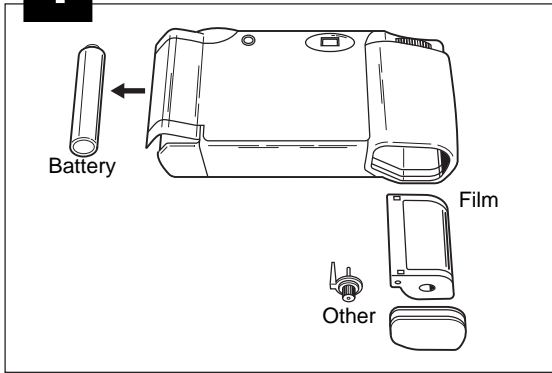
NOTE: The film cassette door is closed only when the Access Hole is black.

3 Remove Battery



- Remove cardboard cover.
- Insert special tool into end slot.
- Use tool to bend cover back and remove battery.

CAUTION: To avoid injury, use tool carefully. Do not hit camera against object to open or the film door may open and fogg the film.

4**Opened Camera with Film and Battery****5**

- Place in recycle bin.
- Return to Kodak for recycling.



CAUTION: This camera body contains a high voltage capacitor and circuit board. To avoid electric shock, do not pry apart the front and back sections of camera. Remove only film and battery from their respective compartments. If sections of the camera are separated, do not touch the circuit board.

Current Information Summaries provide information of limited or specific application. Responsibility for judging the timeliness and applicability of the information to a specific photographic use rests with the end user.

Consumer Imaging
EASTMAN KODAK COMPANY • ROCHESTER, NY 14650

