

DRM-7000 – 2 Readers/2 Recorders Configuration

This document provides a recommended configuration when using two ROM drives (readers) and two writer drives (recorders) for the Pioneer DRM-7000 FlexLibrary. Please refer to the manuals shipped with the unit for more information.

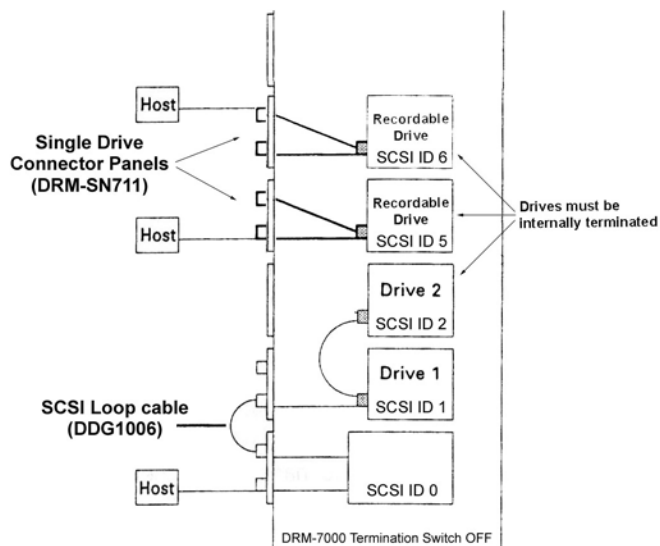
Installation Check List

The following components are required for this configuration:

- (2) DVD-D7563 or DVD-D7362/7361 DVD/CD-ROM internal read drives
- (2) DVD-R7322 or DVD-R7211 Internal DVD-Recordable drive
- (2) DRM-SN711 Single drive rear panel SCSI connector
- (1) DDG1006 SCSI Loop cable (shipped with DRM-7000)

Recommended Drive Arrangement

Pioneer recommends the following drive arrangement however alternative configurations are available if additional components are required. For best results, use a separate SCSI channel for each recordable drive.



Additional Information

For further assistance with this library system, please refer to the Pioneer website:

www.pioneerelectronics.com.