



Product Manual

Cheetah® 15K.7 SAS

Standard models

ST3600057SS

ST3450857SS

ST3300657SS

Self-Encrypting Drive models

ST3600957SS

ST3450757SS

ST3300557SS

SED FIPS 140-2 models

ST3600857SS

ST3450657SS

ST3300457SS

© 2012 Seagate Technology LLC. All rights reserved.

Publication number: 100516226, Rev. F December 2012

Seagate, Seagate Technology and the Wave logo are registered trademarks of Seagate Technology LLC in the United States and/or other countries. Cheetah and SeaTools are either trademarks or registered trademarks of Seagate Technology LLC or one of its affiliated companies in the United States and/or other countries. The FIPS logo is a certification mark of NIST, which does not imply product endorsement by NIST, the U.S., or Canadian governments. All other trademarks or registered trademarks are the property of their respective owners.

No part of this publication may be reproduced in any form without written permission of Seagate Technology LLC.
Call 877-PUB-TEK1 (877-782-8351) to request permission.

When referring to drive capacity, one gigabyte, or GB, equals one billion bytes and one terabyte, or TB, equals one trillion bytes. Your computer's operating system may use a different standard of measurement and report a lower capacity. In addition, some of the listed capacity is used for formatting and other functions, and thus will not be available for data storage. Actual quantities will vary based on various factors, including file size, file format, features and application software. Actual data rates may vary depending on operating environment and other factors. The export or re-export of hardware or software containing encryption may be regulated by the U.S. Department of Commerce, Bureau of Industry and Security (for more information, visit www.bis.doc.gov), and controlled for import and use outside of the U.S. Seagate reserves the right to change, without notice, product offerings or specifications.

CONTENTS

SEAGATE® TECHNOLOGY SUPPORT SERVICES	1
---	----------

1.0 SCOPE	2
------------------------	----------

2.0 STANDARDS, COMPLIANCE AND REFERENCE DOCUMENTS	3
2.1 STANDARDS	3
2.1.1 Electromagnetic compatibility	3
2.2 COMPLIANCE	3
2.2.1 Electromagnetic compliance	3
2.3 EUROPEAN UNION RESTRICTION OF HAZARDOUS SUBSTANCES (ROHS)	4
2.4 REFERENCE DOCUMENTS	4

3.0 GENERAL DESCRIPTION	5
3.1 STANDARD FEATURES	6
3.2 MEDIA DESCRIPTION	6
3.3 PERFORMANCE	6
3.4 RELIABILITY	7
3.5 FORMATTED CAPACITIES	7
3.6 PROGRAMMABLE DRIVE CAPACITY	7
3.7 FACTORY-INSTALLED OPTIONS	7

4.0 PERFORMANCE CHARACTERISTICS	8
4.1 INTERNAL DRIVE CHARACTERISTICS	8
4.2 SEEK TIME	8
4.2.1 Access time	8
4.2.2 Format command execution time (minutes)	8
4.2.3 General performance characteristics	9
4.3 START/STOP TIME	9
4.4 PREFETCH/MULTI-SEGMENTED CACHE CONTROL	9
4.5 CACHE OPERATION	10
4.5.1 Caching write data	11
4.5.2 Prefetch operation	11

5.0 RELIABILITY SPECIFICATIONS	12
5.1 ERROR RATES	12
5.1.1 Recoverable Errors	12
5.1.2 Unrecoverable Errors	12
5.1.3 Seek errors	12
5.1.4 Interface errors	12
5.2 RELIABILITY AND SERVICE	12
5.2.1 Annualized Failure Rate (AFR) and Mean time between failure (MTBF)	13
5.2.2 Preventive maintenance	13
5.2.3 Hot plugging the drive	13
5.2.4 S.M.A.R.T.	13
5.2.5 Thermal monitor	14
5.2.6 Drive Self Test (DST)	15
5.2.7 Product warranty	17

6.0 PHYSICAL/ELECTRICAL SPECIFICATIONS	18
6.1 AC POWER REQUIREMENTS	18
6.2 DC POWER REQUIREMENTS	18
6.2.1 Conducted noise immunity	21

CONTENTS

6.2.2	Power sequencing	21
6.2.3	Current profiles	21
6.3	POWER DISSIPATION	23
6.4	ENVIRONMENTAL LIMITS	24
6.4.1	Temperature	24
6.4.2	Relative humidity	25
6.4.3	Effective altitude (sea level)	25
6.4.4	Shock and vibration	26
6.4.5	Acoustics	28
6.4.6	Air cleanliness	28
6.4.7	Corrosive environment	28
6.4.8	RoHS compliance statement	28
6.4.9	Electromagnetic susceptibility	29
6.5	MECHANICAL SPECIFICATIONS	29
<hr/>		
7.0	ABOUT FIPS	30
<hr/>		
8.0	ABOUT SELF-ENCRYPTING DRIVES	31
8.1	DATA ENCRYPTION	31
8.2	CONTROLLED ACCESS	31
8.2.1	Admin SP	31
8.2.2	Locking SP	31
8.2.3	Default password	31
8.3	RANDOM NUMBER GENERATOR (RNG)	31
8.4	DRIVE LOCKING	32
8.5	DATA BANDS	32
8.6	CRYPTOGRAPHIC ERASE	32
8.7	AUTHENTICATED FIRMWARE DOWNLOAD	32
8.8	POWER REQUIREMENTS	32
8.9	SUPPORTED COMMANDS	32
<hr/>		
9.0	DEFECT AND ERROR MANAGEMENT	33
9.1	DRIVE INTERNAL DEFECTS/ERRORS	33
9.2	DRIVE ERROR RECOVERY PROCEDURES	33
9.3	SAS SYSTEM ERRORS	34
9.4	BACKGROUND MEDIA SCAN	35
9.5	MEDIA PRE-SCAN	35
9.6	DEFERRED AUTO-REALLOCATION	35
9.7	IDLE READ AFTER WRITE	35
<hr/>		
10.0	INSTALLATION	36
10.1	DRIVE ORIENTATION	36
10.2	COOLING	36
10.3	DRIVE MOUNTING	37
10.4	GROUNDING	37
<hr/>		
11.0	INTERFACE REQUIREMENTS	38
11.1	SAS FEATURES	38
11.1.1	task management functions	38
11.1.2	task management responses	38
11.2	DUAL PORT SUPPORT	38
11.3	SCSI COMMANDS SUPPORTED	39
11.3.1	Inquiry data	42
11.3.2	Mode Sense data	42

CONTENTS

11.4	MISCELLANEOUS OPERATING FEATURES AND CONDITIONS	47
11.4.1	SAS physical interface	47
11.4.2	Physical characteristics	50
11.4.3	Connector requirements	50
11.4.4	Electrical description	50
11.4.5	Pin descriptions	50
11.4.6	SAS transmitters and receivers	51
11.4.7	Power	51
11.5	SIGNAL CHARACTERISTICS	51
11.5.1	Ready LED Out	51
11.5.2	Differential signals	52
11.6	SAS-2 SPECIFICATION COMPLIANCE	52
11.7	ADDITIONAL INFORMATION	52

Seagate® Technology Support Services

For information regarding online support and services, visit http://www.seagate.com/www/en-us/about/contact_us/

Available services include:

- Presales & Technical support
- Global Support Services telephone numbers & business hours
- Authorized Service Centers

For information regarding Warranty Support, visit <http://www.seagate.com/support/warranty-and-returns/>

For information regarding data recovery services, visit <http://www.seagate.com/services-software/data-recovery-services/>

For Seagate OEM and Distribution partner portal, visit <https://direct.seagate.com/portal/system>

For Seagate reseller portal, visit <http://spp.seagate.com>

1.0 SCOPE

This manual describes Seagate Technology® LLC, Cheetah® 15K.7 SAS (Serial Attached SCSI) disk drives.

Cheetah 15K.7 drives support the SAS Protocol specifications to the extent described in this manual. The *SAS Interface Manual* (part number 100293071) describes the general SAS characteristics of Cheetah 15K.7 and other Seagate SAS drives. The Self-Encrypting Drive (SED) Users Guide, part number 100515636 describes the interface, general operation and security features available on SED drives.

Table 1:

MODEL NUMBER	CAPACITY	SELF-ENCRYPTING DRIVE (SED)	FIPS 140-2 LEVEL 2 CERTIFIED
ST3600057SS	600GB	No	No
ST3600957SS		Yes	No
ST3600857SS		Yes	Yes
ST3450857SS	450GB	No	No
ST3450757SS		Yes	No
ST3300457SS		Yes	Yes
ST3300657SS	300GB	No	No
ST3300557SS		Yes	No
ST3300457SS		Yes	Yes

Note. Previous generations of Seagate Self-Encrypting Drive models were called Full Disk Encryption (FDE) models before a differentiation between drive-based encryption and other forms of encryption was necessary.

Note. The Self-Encrypting Drive models indicated on the cover of this product manual have provisions for “Security of Data at Rest” based on the standards defined by the Trusted Computing Group (see www.trustedcomputing-group.org).

For more information on FIPS 140-2 Level 2 certification see Section 7.0 on page 30.

For product certification status visit - <http://csrc.nist.gov/groups/STM/cmvp/documents/140-1/1401vend.htm>.

2.0 STANDARDS, COMPLIANCE AND REFERENCE DOCUMENTS

The drive has been developed as a system peripheral to the highest standards of design and construction. The drive depends on its host equipment to provide adequate power and environment for optimum performance and compliance with applicable industry and governmental regulations. Special attention must be given in the areas of safety, power distribution, shielding, audible noise control, and temperature regulation. In particular, the drive must be securely mounted to guarantee the specified performance characteristics. Mounting by bottom holes must meet the requirements of Section 10.3.

2.1 STANDARDS

The Cheetah 15K.7 SAS family complies with Seagate standards as noted in the appropriate sections of this manual and the Seagate *SAS Interface Manual*, part number 100293071.

The drives are recognized in accordance with UL 60950-1 and CSA 60950-1 as tested by UL and EN60950-1 as tested by TUV.

The security features of Cheetah 15K.7 SAS SED models are based on the “TCG Storage Architecture Core Specification” and the “TCG Storage Workgroup Security Subsystem Class: Enterprise_A” specification with additional vendor-unique features as noted in this product manual.

2.1.1 Electromagnetic compatibility

The drive, as delivered, is designed for system integration and installation into a suitable enclosure prior to use. The drive is supplied as a subassembly and is not subject to Subpart B of Part 15 of the FCC Rules and Regulations nor the Radio Interference Regulations of the Canadian Department of Communications.

The design characteristics of the drive serve to minimize radiation when installed in an enclosure that provides reasonable shielding. The drive is capable of meeting the Class B limits of the FCC Rules and Regulations of the Canadian Department of Communications when properly packaged; however, it is the user’s responsibility to assure that the drive meets the appropriate EMI requirements in their system. Shielded I/O cables may be required if the enclosure does not provide adequate shielding. If the I/O cables are external to the enclosure, shielded cables should be used, with the shields grounded to the enclosure and to the host controller.

2.1.1.1 Electromagnetic susceptibility

As a component assembly, the drive is not required to meet any susceptibility performance requirements. It is the responsibility of those integrating the drive within their systems to perform those tests required and design their system to ensure that equipment operating in the same system as the drive or external to the system does not adversely affect the performance of the drive. See Tables 3, 4 and 5, for DC power requirements.

2.2 COMPLIANCE

2.2.1 Electromagnetic compliance

Seagate uses an independent laboratory to confirm compliance with the directives/standards for CE Marking and C-Tick Marking. The drive was tested in a representative system for typical applications. The selected system represents the most popular characteristics for test platforms. The system configurations include:

- Typical current use microprocessor
- Keyboard
- Monitor/display
- Printer
- Mouse

Although the test system with this Seagate model complies with the directives/standards, we cannot guarantee that all systems will comply. The computer manufacturer or system integrator shall confirm EMC compliance and provide the appropriate marking for their product.

Electromagnetic compliance for the European Union

If this model has the CE Marking it complies with the European Union requirements of the Electromagnetic Compatibility Directive 89/336/EEC of 03 May 1989 as amended by Directive 92/31/EEC of 28 April 1992 and Directive 93/68/EEC of 22 July 1993.

Australian C-Tick

If this model has the C-Tick Marking it complies with the Australia/New Zealand Standard AS/NZS3548 1995 and meets the Electromagnetic Compatibility (EMC) Framework requirements of Australia's Spectrum Management Agency (SMA).

Korean KCC

If this model has the Korean Communications Commission (KCC) logo, it complies with paragraph 1 of Article 11 of the Electromagnetic Compatibility (EMC) Control Regulation and meets the Electromagnetic Compatibility Framework requirements of the Radio Research Laboratory (RRL) Ministry of Information and Communication Republic of Korea

Taiwanese BSMI

If this model has two Chinese words meaning "EMC certification" followed by an eight digit identification number, as a Marking, it complies with Chinese National Standard (CNS) 13438 and meets the Electromagnetic Compatibility (EMC) Framework requirements of the Taiwanese Bureau of Standards, Metrology, and Inspection (BSMI).

2.3 EUROPEAN UNION RESTRICTION OF HAZARDOUS SUBSTANCES (ROHS)

The European Union Restriction of Hazardous Substances (RoHS) Directive restricts the presence of chemical substances, including Lead (Pb), in electronic products effective July 2006.

A number of parts and materials in Seagate products are procured from external suppliers. We rely on the representations of our suppliers regarding the presence of RoHS substances in these parts and materials. Our supplier contracts require compliance with our chemical substance restrictions, and our suppliers document their compliance with our requirements by providing material content declarations for all parts and materials for the disk drives documented in this publication. Current supplier declarations include disclosure of the inclusion of any RoHS-regulated substance in such parts or materials.

Seagate also has internal systems in place to ensure ongoing compliance with the RoHS Directive and all laws and regulations which restrict chemical content in electronic products. These systems include standard operating procedures that ensure that restricted substances are not utilized in our manufacturing operations, laboratory analytical validation testing, and an internal auditing process to ensure that all standard operating procedures are complied with.

2.4 REFERENCE DOCUMENTS

SCSI Commands Reference Manual Seagate part number: 100293068

SAS Interface Manual Seagate part number: 100293071

ANSI SAS documents

SFF-83233.5" Drive Form Factor with Serial Connector

SFF-8460HSS Backplane Design Guidelines

SFF-8470 Multi Lane Copper Connector

SFF-8482 SAS Plug Connector

ANSI INCITS.xxx Serial Attached SCSI (SAS-2) Standard (T10/1562-D)

ISO/IEC 14776-xxx SCSI Architecture Model-4 (SAM-4) Standard (T10/1561-D)

ISO/IEC 14776-xxx SCSI Primary Commands-3 (SPC-3) Standard (T10/1416-D)

ISO/IEC 14776-xxx SCSI Block Commands-2 (SBC-2) Standard (T10/1417-D)

Trusted Computing Group (TCG) Documents (apply to SED models only)

TCG Core Specification, version 0.9

TCG SSC Specification (draft)

Self-Encrypting Drives Users Guide Seagate part number: 100515636

Specification for Acoustic Test Requirement and Procedures Seagate part number: 30553-001

Package Test Specification Seagate P/N 30190-001 (under 100 lb.)

Package Test Specification Seagate P/N 30191-001 (over 100 lb.)

In case of conflict between this document and any referenced document, this document takes precedence.

3.0 GENERAL DESCRIPTION

Cheetah 15K.7 drives provide high performance, high capacity data storage for a variety of systems including engineering workstations, network servers, mainframes, and supercomputers. The Serial Attached SCSI interface is designed to meet next-generation computing demands for performance, scalability, flexibility and high-density storage requirements.

Cheetah 15K.7 drives support the Serial Attached SCSI Protocol as described in the ANSI specifications, this document, and the *SAS Interface Manual* (part number 100293071) which describes the general interface characteristics of this drive. Cheetah 15K.7 drives are classified as intelligent peripherals and provide level 2 conformance (highest level) with the ANSI SCSI-1 standard. The SAS connectors, cables and electrical interface are compatible with Serial ATA (SATA), giving future users the choice of populating their systems with either SAS or SATA hard disk drives. This allows you to continue to leverage your existing investment in SCSI while gaining a 3Gb/s serial data transfer rate.

Cheetah 15K.7 SAS SED models have provisions for “Security of Data at Rest” based on the standards defined by the Trusted Computing Group (see www.trustedcomputinggroup.org).

Note. Never disassemble the HDA and do not attempt to service items in the sealed enclosure (heads, media, actuator, etc.) as this requires special facilities. The drive does not contain user-replaceable parts. Opening the HDA for any reason voids your warranty.

Cheetah 15K.7 drives use a dedicated landing zone at the innermost radius of the media to eliminate the possibility of destroying or degrading data by landing in the data zone. The heads automatically go to the landing zone when power is removed from the drive.

An automatic shipping lock prevents potential damage to the heads and disks that results from movement during shipping and handling. The shipping lock disengages and the head load process begins when power is applied to the drive.

The drives also use a high-performance actuator assembly with a low-inertia, balanced, patented, straight arm design that provides excellent performance with minimal power dissipation.

3.1 STANDARD FEATURES

Cheetah 15K.7 drives have the following standard features:

- 1.5 / 3 / 6 Gbit Serial Attached SCSI (SAS) interface
- Integrated dual port SAS controller supporting the SCSI protocol
- Support for SAS expanders and fanout adapters
- Firmware downloadable using the SAS interface
- 128 - deep task set (queue)
- Supports up to 32 initiators
- Jumperless configuration.
- User-selectable logical block size (512, 520, or 528 bytes per logical block)
- Programmable logical block reallocation scheme
- Flawed logical block reallocation at format time
- Programmable auto write and read reallocation
- Reallocation of defects on command (Post Format)
- ECC maximum burst correction length of 320 bits
- No preventive maintenance or adjustments required
- Dedicated head landing zone
- Embedded servo design
- Automatic shipping lock
- Self diagnostics performed when power is applied to the drive
- Zone bit recording
- Vertical, horizontal, or top down mounting
- Dynamic spindle brake
- 16 Mbyte data buffer
- Drive Self Test
- Background Media Scan
- Power Save

Cheetah 15K.7 SAS SED models have the following additional features:

- Automatic data encryption/decryption on all writes and reads to and from the media
- Controlled access
- Random number generator
- Drive locking
- Two independent data bands which each have it's own ownership credential and encryption key
- Cryptographic erase of user data for a drive that will be repurposed or scrapped
- Authenticated firmware download

3.2 MEDIA DESCRIPTION

The media used on the drive has an aluminum substrate coated with a thin film magnetic material, overcoated with a proprietary protective layer for improved durability and environmental protection.

3.3 PERFORMANCE

- Programable multi-segmented cache buffer
- 600 Mbytes/sec maximum instantaneous data transfers
- 15k RPM spindle. Average latency = 2.0 msec
- Background processing of queue
- Supports start and stop commands (spindle stops spinning)
- Adaptive seek velocity; improved seek performance

Note. There is no significant performance difference between Self-Encrypting Drive and standard (non-Self-Encrypting Drive models).

3.4 RELIABILITY

- 1,600,000 hour MTBF (Annualized Failure Rate (AFR) of 0.55%)
- Incorporates industry-standard Self-Monitoring Analysis and Reporting Technology (S.M.A.R.T.)
- 5-year warranty

3.5 FORMATTED CAPACITIES

Standard OEM models are formatted to 512 bytes per block. The block size is selectable at format time and must be one of the supported sizes listed in the table below.

Seagate designs specify capacity points at certain block sizes that Seagate guarantees current and future products will meet. We recommend customers use this capacity in their project planning, as it ensures a stable operating point with backward and forward compatibility from generation to generation. The current guaranteed operating points for this product are:

Table 1:

SECTOR SIZE	ST3600057SS ST3600957SS ST3600857SS		ST3450857SS ST3450757SS ST3450657SS		ST3300657FC ST3300557FC ST3300457SS	
	DECIMAL	HEX	DECIMAL	HEX	DECIMAL	HEX
512	1,172,123,568	45DD2FB0	879,097,968	3465F870	585,937,500	22ECB25C
520	1,147,307,694	446286AE	860,480,771	3349E503	573,653,848	22314358
524	1,132,015,600	43792FF0	849,011,700	329AE3F4	566,007,800	21BC97F8
528	1,115,749,560	4280FCB8	836,812,167	31E0BD87	557,874,778	21407E5A

3.6 PROGRAMMABLE DRIVE CAPACITY

Using the Mode Select command, the drive can change its capacity to something less than maximum. See the Mode Select (6) parameter list table in the *SAS Interface Manual*, part number 100293071. A value of zero in the Number of Blocks field indicates that the drive will not change the capacity it is currently formatted to have. A number other than zero and less than the maximum number of LBAs in the Number of Blocks field changes the total drive capacity to the value in the Number of Blocks field. A value greater than the maximum number of LBAs is rounded down to the maximum capacity.

3.7 FACTORY-INSTALLED OPTIONS

You may order the following items which are incorporated at the manufacturing facility during production or packaged before shipping. Some of the options available are (not an exhaustive list of possible options):

- Other capacities can be ordered depending on sparing scheme and sector size requested.
- Single-unit shipping pack. The drive is normally shipped in bulk packaging to provide maximum protection against transit damage. Units shipped individually require additional protection as provided by the single unit shipping pack. Users planning single unit distribution should specify this option.
- The *Safety and Regulatory Agency Specifications*, part number 75789512, may be included with each standard OEM drive shipped.

4.0 PERFORMANCE CHARACTERISTICS

This section provides detailed information concerning performance-related characteristics and features of Cheetah 15K.7 drives.

4.1 INTERNAL DRIVE CHARACTERISTICS

	ST3600057SS	ST3450857SS	ST3300657SS	
	ST3600957SS	ST3450757SS	ST3300557SS	
	ST3600857SS	ST3450657SS	ST3300457SS	
Drive capacity	600	450	300	Gbytes (formatted, rounded off value)*
Read/write data heads	8	6	4	
Tracks per inch	165,000	165,000	165,000	TPI
Peak bits per inch	1,361	1,361	1,361	KBPI
Areal Density	225	225	225	Gbits/inch ²
Internal data rate	1.49 - 2.37	1.49 - 2.37	1.49 - 2.37	Gbits/sec (max)
Disk rotation speed	15k	15k	15k	RPM
Avg rotational latency	2.0	2.0	2.0	msec

*One Gbyte equals one billion bytes when referring to hard drive capacity. Accessible capacity may vary depending on operating environment and formatting.

4.2 SEEK TIME

See Section 11.4.1, "SAS physical interface" on page 47 and the *SAS Interface Manual* (part number 100293071) for additional timing details.

4.2.1 Access time

NOT INCLUDING CONTROLLER OVERHEAD^{1, 2} (MSEC)

		READ	WRITE
Average	Typical	3.4	3.9
Single track	Typical	0.2	0.44
Full stroke	Typical	6.6	7.4

1. Typical access times are measured under nominal conditions of temperature, voltage, and horizontal orientation as measured on a representative sample of drives.
2. Access to data = access time + latency time.

4.2.2 Format command execution time (minutes)

When changing sector sizes, the format times shown below may need to be increased by 30 minutes.

	600GB	450GB	300GB
Maximum (with verify)	119	90	58
Maximum (without verify)	60	45	29

Note. There is approximately a 1.5 increase in time to format a SED drive versus a non-SED drive of the same capacity.

Execution time measured from receipt of the last byte of the Command Descriptor Block (CDB) to the request for a Status Byte Transfer to the Initiator (excluding connect/disconnect).

4.2.3 General performance characteristics

Sustainable disk transfer rate*:

Minimum	122 Mbytes/sec (typical)
Maximum	204 Mbytes/sec (typical)

SAS Interface maximum instantaneous transfer rate 600 Mbytes/sec* per port

Logical block sizes

Default is 512-byte data blocks
Sector sizes variable to 512, 520, and 528 kbytes.

Read/write consecutive sectors on a track Yes

Flaw reallocation performance impact (for flaws reallocated at format time using the spare sectors per sparing zone reallocation scheme.) Negligible

Average rotational latency 2.0 msec

*Assumes system ability to support the rates listed and no cable loss.
1 MB/sec = 1,000,000 bytes/sec

4.3 START/STOP TIME

The drive accepts the commands listed in the SAS Interface Manual less than 3 seconds after DC power has been applied.

If the drive receives a NOTIFY (ENABLE SPINUP) primitive through either port and has not received a START STOP UNIT command with the START bit equal to 0, the drive becomes ready for normal operations within 20 seconds (excluding the error recovery procedure).

If the drive receives a START STOP UNIT command with the START bit equal to 0 before receiving a NOTIFY (ENABLE SPINUP) primitive, the drive waits for a START STOP UNIT command with the START bit equal to 1. After receiving a START STOP UNIT command with the START bit equal to 1, the drive waits for a NOTIFY (ENABLE SPINUP) primitive. After receiving a NOTIFY (ENABLE SPINUP) primitive through either port, the drive becomes ready for normal operations within 20 seconds (excluding the error recovery procedure).

If the drive receives a START STOP UNIT command with the START bit and IMMED bit equal to 1 and does not receive a NOTIFY (ENABLE SPINUP) primitive within 5 seconds, the drive fails the START STOP UNIT command.

The START STOP UNIT command may be used to command the drive to stop the spindle. Stop time is 30 seconds (maximum) from removal of DC power. There is no power control switch on the drive.

4.4 PREFETCH/MULTI-SEGMENTED CACHE CONTROL

The drive provides a prefetch (read look-ahead) and multi-segmented cache control algorithms that in many cases can enhance system performance. Cache refers to the drive buffer storage space when it is used in cache operations. To select this feature, the host sends the Mode Select command with the proper values in the applicable bytes in page 08h. Prefetch and cache operations are independent features from the standpoint that each is enabled and disabled independently using the Mode Select command; however, in actual operation, the prefetch feature overlaps cache operation somewhat as described in sections 4.5.1 and 4.5.2.

All default cache and prefetch mode parameter values (Mode Page 08h) for standard OEM versions of this drive family are given in Section 11.3.2.1.

4.5 CACHE OPERATION

Note. Refer to the *SAS Interface Manual* for more detail concerning the cache bits.

Of the 16 Mbytes physical buffer space in the drive, approximately 13,000 kbytes can be used as a cache. The buffer is divided into logical segments from which data is read and to which data is written.

The drive keeps track of the logical block addresses of the data stored in each segment of the buffer. If the cache is enabled (see RCD bit in the *SAS Interface Manual*), data requested by the host with a read command is retrieved from the buffer, if possible, before any disk access is initiated. If cache operation is not enabled, the buffer is still used, but only as circular buffer segments during disk medium read operations (disregarding Prefetch operation for the moment). That is, the drive does not check in the buffer segments for the requested read data, but goes directly to the medium to retrieve it. The retrieved data merely passes through some buffer segment on the way to the host. All data transfers to the host are in accordance with buffer-full ratio rules. See the explanation provided with the information about Mode Page 02h (disconnect/reconnect control) in the *SAS Interface Manual*.

The following is a simplified description of the prefetch/cache operation:

Case A—read command is received and all of the requested logical blocks are already in the cache:

1. Drive transfers the requested logical blocks to the initiator.

Case B—A Read command requests data, and at least one requested logical block is not in any segment of the cache:

1. The drive fetches the requested logical blocks from the disk and transfers them into a segment, and then from there to the host in accordance with the Mode Select Disconnect/Reconnect parameters, page 02h.
2. If the prefetch feature is enabled, refer to section 4.5.2 for operation from this point.

Each cache segment is actually a self-contained circular buffer whose length is an integer number of logical blocks. The drive dynamically creates and removes segments based on the workload. The wrap-around capability of the individual segments greatly enhances the cache's overall performance.

Note. The size of each segment is not reported by Mode Sense command page 08h, bytes 14 and 15. The value 0XFFFF is always reported regardless of the actual size of the segment. Sending a size specification using the Mode Select command (bytes 14 and 15) does not set up a new segment size. If the STRICT bit in Mode page 00h (byte 2, bit 1) is set to one, the drive responds as it does for any attempt to change an unchangeable parameter.

4.5.1 Caching write data

Write caching is a write operation by the drive that makes use of a drive buffer storage area where the data to be written to the medium is stored while the drive performs the Write command.

If read caching is enabled (RCD=0), then data written to the medium is retained in the cache to be made available for future read cache hits. The same buffer space and segmentation is used as set up for read functions. The buffer segmentation scheme is set up or changed independently, having nothing to do with the state of RCD. When a write command is issued, if RCD=0, the cache is first checked to see if any logical blocks that are to be written are already stored in the cache from a previous read or write command. If there are, the respective cache segments are cleared. The new data is cached for subsequent Read commands.

If the number of write data logical blocks exceed the size of the segment being written into, when the end of the segment is reached, the data is written into the beginning of the same cache segment, overwriting the data that was written there at the beginning of the operation; however, the drive does not overwrite data that has not yet been written to the medium.

If write caching is enabled (WCE=1), then the drive may return Good status on a write command after the data has been transferred into the cache, but before the data has been written to the medium. If an error occurs while writing the data to the medium, and Good status has already been returned, a deferred error will be generated.

The Synchronize Cache command may be used to force the drive to write all cached write data to the medium. Upon completion of a Synchronize Cache command, all data received from previous write commands will have been written to the medium.

Table 11.3.2.1 shows the mode default settings for the drive.

4.5.2 Prefetch operation

If the Prefetch feature is enabled, data in contiguous logical blocks on the disk immediately beyond that which was requested by a Read command are retrieved and stored in the buffer for immediate transfer from the buffer to the host on subsequent Read commands that request those logical blocks (this is true even if cache operation is disabled). Though the prefetch operation uses the buffer as a cache, finding the requested data in the buffer is a prefetch hit, not a cache operation hit.

To enable Prefetch, use Mode Select page 08h, byte 12, bit 5 (Disable Read Ahead - DRA bit). DRA bit = 0 enables prefetch.

The drive does not use the Max Prefetch field (bytes 8 and 9) or the Prefetch Ceiling field (bytes 10 and 11).

When prefetch (read look-ahead) is enabled (enabled by DRA = 0), the drive enables prefetch of contiguous blocks from the disk when it senses that a prefetch hit will likely occur. The drive disables prefetch when it decides that a prefetch hit is not likely to occur.

5.0 RELIABILITY SPECIFICATIONS

The following reliability specifications assume correct host and drive operational interface, including all interface timings, power supply voltages, environmental requirements and drive mounting constraints.

Seek error rate:	Less than 10 errors in 10^8 seeks
Read Error Rates	
Recovered Data	Less than 10 errors in 10^{12} bits transferred (OEM default settings)
Unrecovered Data	Less than 1 sector in 10^{16} bits transferred
Miscorrected Data	Less than 1 sector in 10^{21} bits transferred
Interface error rate:	Less than 1 error in 10^{12} bits transferred
MTBF	1,600,000 hours
AFR	0.55%
Preventive maintenance:	None required

5.1 ERROR RATES

The error rates stated in this manual assume the following:

- The drive is operated per this specification using DC power as defined in this manual (see Section 6.2).
- Errors caused by host system failures are excluded from error rate computations.
- Assume random data.
- Default OEM error recovery settings are applied. This includes AWRE, ARRE, full read retries, full write retries and full retry time.
- Error rate specified with automatic retries and data correction with ECC enabled and all flaws reallocated

5.1.1 Recoverable Errors

Recoverable errors are those detected and corrected by the drive, and do not require user intervention.

Recoverable Data errors use retries and correction. Application of ECC on-the-fly correction alone is not considered a Recovered Data error.

Recovered Data error rate is determined using read bits transferred for recoverable errors occurring during a read, and using write bits transferred for recoverable errors occurring during a write.

5.1.2 Unrecoverable Errors

Unrecoverable Data Errors (Sense Key = 03h) are specified at less than 1 sector in error per 10^{16} bits transferred. Unrecoverable Data Errors resulting from the same cause are treated as 1 error for that block.

5.1.3 Seek errors

A seek error is defined as a failure of the drive to position the heads to the addressed track. After detecting an initial seek error, the drive automatically performs an error recovery process. If the error recovery process fails, a seek positioning error (Error code = 15h or 02h) will be reported with a Hardware error (04h) in the Sense Key. Recoverable seek errors are specified at Less than 10 errors in 10^8 seeks. Unrecoverable seek errors (Sense Key = 04h) are classified as drive failures.

5.1.4 Interface errors

An interface error is defined as a failure of the receiver on a port to recover the data as transmitted by the device port connected to the receiver. The error may be detected as a running disparity error, illegal code, loss of word sync, or CRC error.

5.2 RELIABILITY AND SERVICE

You can enhance the reliability of Cheetah disk drives by ensuring that the drive receives adequate cooling. Section 6.0 provides temperature measurements and other information that may be used to enhance the service life of the drive. Section 10.2 provides recommended air-flow information.

5.2.1 Annualized Failrue Rate (AFR) and Mean time between failure (MTBF)

These drives shall achieve an AFR of 0.55% (MTBF of 1,600,000 hours) when operated in an environment that ensures the HDA case temperatures do not exceed the values specified in Section 6.4.

Operation at case temperatures outside the specifications in Section 6.4 may increase the AFR (decrease the MTBF). AFR and MTBF statistics are population statistics that are not relevant to individual units.

AFR and MTBF specifications are based on the following assumptions for Enterprise Storage System environments:

- 8,760 power-on hours per year.
- 250 average on/off cycles per year.
- Operations at nominal voltages.
- Systems will provide adequate cooling to ensure the case temperatures specified in Section 6.4.1 are not exceeded.

5.2.2 Preventive maintenance

No routine scheduled preventive maintenance is required.

5.2.3 Hot plugging the drive

When a disk is powered on by switching the power or hot plugged, the drive runs a self test before attempting to communicate on its' interfaces. When the self test completes successfully, the drive initiates a Link Reset starting with OOB. An attached device should respond to the link reset. If the link reset attempt fails, or any time the drive loses sync, the drive initiated link reset. The drive will initiate link reset once per second but alternates between port A and B. Therefore each port will attempt a link reset once per 2 seconds assuming both ports are out of sync..

If the self-test fails, the does not respond to link reset on the failing port.

Note. It is the responsibility of the systems integrator to assure that no temperature, energy, voltage hazard, or ESD potential hazard is presented during the hot connect/disconnect operation. Discharge the static electricity from the drive carrier prior to inserting it into the system.

Caution. The drive motor must come to a complete stop prior to changing the plane of operation. This time is required to insure data integrity.

5.2.4 S.M.A.R.T.

S.M.A.R.T. is an acronym for Self-Monitoring Analysis and Reporting Technology. This technology is intended to recognize conditions that indicate imminent drive failure and is designed to provide sufficient warning of a failure to allow you to back up the data before an actual failure occurs.

Note. The drive's firmware monitors specific attributes for degradation over time but can't predict instantaneous drive failures.

Each monitored attribute has been selected to monitor a specific set of failure conditions in the operating performance of the drive and the thresholds are optimized to minimize "false" and "failed" predictions.

Controlling S.M.A.R.T.

The operating mode of S.M.A.R.T. is controlled by the DEXCPT and PERF bits on the Informational Exceptions Control mode page (1Ch). Use the DEXCPT bit to enable or disable the S.M.A.R.T. feature. Setting the DEXCPT bit disables all S.M.A.R.T. functions. When enabled, S.M.A.R.T. collects on-line data as the drive performs normal read and write operations. When the PERF bit is set, the drive is considered to be in "On-line Mode Only" and will not perform off-line functions.

You can measure off-line attributes and force the drive to save the data by using the Rezero Unit command. Forcing S.M.A.R.T. resets the timer so that the next scheduled interrupt is in two hours.

You can interrogate the drive through the host to determine the time remaining before the next scheduled measurement and data logging process occurs. To accomplish this, issue a Log Sense command to log page 0x3E. This allows you to control when S.M.A.R.T. interruptions occur. Forcing S.M.A.R.T. with the RTZ command resets the timer.

Performance impact

S.M.A.R.T. attribute data is saved to the disk so that the events that caused a predictive failure can be recreated. The drive measures and saves parameters once every two hours subject to an idle period on the drive interfaces. The process of measuring off-line attribute data and saving data to the disk is uninterruptable. The maximum on-line only processing delay is summarized below:

Table 2:

Maximum processing delay

	On-line only delay DEXCPT = 0, PERF = 1	Fully-enabled delay DEXCPT = 0, PERF = 0
S.M.A.R.T. delay times	42 milliseconds	163 milliseconds

Reporting control

Reporting is controlled by the MRIE bits in the Informational Exceptions Control mode page (1Ch). Subject to the reporting method, the firmware will issue to the host an 01-5Dxx sense code. The error code is preserved through bus resets and power cycles.

Determining rate

S.M.A.R.T. monitors the rate at which errors occur and signals a predictive failure if the rate of degraded errors increases to an unacceptable level. To determine rate, error events are logged and compared to the number of total operations for a given attribute. The interval defines the number of operations over which to measure the rate. The counter that keeps track of the current number of operations is referred to as the Interval Counter.

S.M.A.R.T. measures error rates. All errors for each monitored attribute are recorded. A counter keeps track of the number of errors for the current interval. This counter is referred to as the Failure Counter.

Error rate is the number of errors per operation. The algorithm that S.M.A.R.T. uses to record rates of error is to set thresholds for the number of errors and their interval. If the number of errors exceeds the threshold before the interval expires, the error rate is considered to be unacceptable. If the number of errors does not exceed the threshold before the interval expires, the error rate is considered to be acceptable. In either case, the interval and failure counters are reset and the process starts over.

Predictive failures

S.M.A.R.T. signals predictive failures when the drive is performing unacceptably for a period of time. The firmware keeps a running count of the number of times the error rate for each attribute is unacceptable. To accomplish this, a counter is incremented each time the error rate is unacceptable and decremented (not to exceed zero) whenever the error rate is acceptable. If the counter continually increments such that it reaches the predictive threshold, a predictive failure is signaled. This counter is referred to as the Failure History Counter. There is a separate Failure History Counter for each attribute.

5.2.5 Thermal monitor

Cheetah 15K.7 drives implement a temperature warning system which:

1. Signals the host if the temperature exceeds a value which would threaten the drive.
2. Signals the host if the temperature exceeds a user-specified value.
3. Saves a S.M.A.R.T. data frame on the drive which exceeds the threatening temperature value.

A temperature sensor monitors the drive temperature and issues a warning over the interface when the temperature exceeds a set threshold. The temperature is measured at power-up and then at ten-minute intervals after power-up.

The thermal monitor system generates a warning code of 01-0B01 when the temperature exceeds the specified limit in compliance with the SCSI standard. The drive temperature is reported in the FRU code field of mode sense data. You can use this information to determine if the warning is due to the temperature exceeding the drive threatening temperature or the user-specified temperature.

This feature is controlled by the Enable Warning (EWasc) bit, and the reporting mechanism is controlled by the Method of Reporting Informational Exceptions field (MRIE) on the Informational Exceptions Control (IEC) mode page (1Ch).

The current algorithm implements two temperature trip points. The first trip point is set at 68°C which is the maximum temperature limit according to the drive specification. The second trip point is user-selectable using the Log Select command. The reference temperature parameter in the temperature log page (see Table 2) can be used to set this trip point. The default value for this drive is 68°C, however, you can set it to any value in the range of 0 to 68°C. If you specify a temperature greater than 68°C in this field, the temperature is rounded down to 68°C. A sense code is sent to the host to indicate the rounding of the parameter field.

Table 2 Temperature Log Page (0Dh)

Parameter Code	Description
0000h	Primary Temperature
0001h	Reference Temperature

5.2.6 Drive Self Test (DST)

Drive Self Test (DST) is a technology designed to recognize drive fault conditions that qualify the drive as a failed unit. DST validates the functionality of the drive at a system level.

There are two test coverage options implemented in DST:

1. Extended test
2. Short test

The most thorough option is the extended test that performs various tests on the drive and scans every logical block address (LBA) of the drive. The short test is time-restricted and limited in length—it does not scan the entire media surface, but does some fundamental tests and scans portions of the media.

If DST encounters an error during either of these tests, it reports a fault condition. If the drive fails the test, remove it from service and return it to Seagate for service.

5.2.6.1 DST failure definition

The drive will present a “diagnostic failed” condition through the self-tests results value of the diagnostic log page if a functional failure is encountered during DST. The channel and servo parameters are not modified to test the drive more stringently, and the number of retries are not reduced. All retries and recovery processes are enabled during the test. If data is recoverable, no failure condition will be reported regardless of the number of retries required to recover the data.

The following conditions are considered DST failure conditions:

- Seek error after retries are exhausted
- Track-follow error after retries are exhausted
- Read error after retries are exhausted
- Write error after retries are exhausted

Recovered errors will not be reported as diagnostic failures.

5.2.6.2 Implementation

This section provides all of the information necessary to implement the DST function on this drive.

5.2.6.2.1 State of the drive prior to testing

The drive must be in a ready state before issuing the Send Diagnostic command. There are multiple reasons why a drive may not be ready, some of which are valid conditions, and not errors. For example, a drive may be in process of doing a format, or another DST. It is the responsibility of the host application to determine the “not ready” cause.

While not technically part of DST, a Not Ready condition also qualifies the drive to be returned to Seagate as a failed drive.

A Drive Not Ready condition is reported by the drive under the following conditions:

- Motor will not spin
- Motor will not lock to speed
- Servo will not lock on track
- Drive cannot read configuration tables from the disk

In these conditions, the drive responds to a Test Unit Ready command with an 02/04/00 or 02/04/03 code.

5.2.6.2.2 Invoking DST

To invoke DST, submit the Send Diagnostic command with the appropriate Function Code (001b for the short test or 010b for the extended test) in bytes 1, bits 5, 6, and 7.

5.2.6.2.3 Short and extended tests

DST has two testing options:

1. short
2. extended

These testing options are described in the following two subsections.

Each test consists of three segments: an electrical test segment, a servo test segment, and a read/verify scan segment.

Short test (Function Code: 001b)

The purpose of the short test is to provide a time-limited test that tests as much of the drive as possible within 120 seconds. The short test does not scan the entire media surface, but does some fundamental tests and scans portions of the media. A complete read/verify scan is not performed and only factual failures will report a fault condition. This option provides a quick confidence test of the drive.

Extended test (Function Code: 010b)

The objective of the extended test option is to empirically test critical drive components. For example, the seek tests and on-track operations test the positioning mechanism. The read operation tests the read head element and the media surface. The write element is tested through read/write/read operations. The integrity of the media is checked through a read/verify scan of the media. Motor functionality is tested by default as a part of these tests.

The anticipated length of the Extended test is reported through the Control Mode page.

5.2.6.2.4 Log page entries

When the drive begins DST, it creates a new entry in the Self-test Results Log page. The new entry is created by inserting a new self-test parameter block at the beginning of the self-test results log parameter section of the log page. Existing data will be moved to make room for the new parameter block. The drive reports 20 parameter blocks in the log page. If there are more than 20 parameter blocks, the least recent parameter block will be deleted. The new parameter block will be initialized as follows:

1. The Function Code field is set to the same value as sent in the DST command
2. The Self-Test Results Value field is set to Fh
3. The drive will store the log page to non-volatile memory

After a self-test is complete or has been aborted, the drive updates the Self-Test Results Value field in its Self-Test Results Log page in non-volatile memory. The host may use Log Sense to read the results from up to the last 20 self-tests performed by the drive. The self-test results value is a 4-bit field that reports the results of the test. If the field is set to zero, the drive passed with no errors detected by the DST. If the field is not set to zero, the test failed for the reason reported in the field.

The drive will report the failure condition and LBA (if applicable) in the Self-test Results Log parameter. The Sense key, ASC, ASCQ, and FRU are used to report the failure condition.

5.2.6.2.5 Abort

There are several ways to abort a diagnostic. You can use a SCSI Bus Reset or a Bus Device Reset message to abort the diagnostic.

You can abort a DST executing in background mode by using the abort code in the DST Function Code field. This will cause a 01 (self-test aborted by the application client) code to appear in the self-test results values log. All other abort mechanisms will be reported as a 02 (self-test routine was interrupted by a reset condition).

5.2.7 Product warranty

Beginning on the date of shipment to the customer and continuing for the period specified in your purchase contract, Seagate warrants that each product (including components and subassemblies) that fails to function properly under normal use due to defect in materials or workmanship or due to nonconformance to the applicable specifications will be repaired or replaced, at Seagate's option and at no charge to the customer, if returned by customer at customer's expense to Seagate's designated facility in accordance with Seagate's warranty procedure. Seagate will pay for transporting the repair or replacement item to the customer. For more detailed warranty information, refer to the standard terms and conditions of purchase for Seagate products on your purchase documentation.

The remaining warranty for a particular drive can be determined by calling Seagate Customer Service at 1-800-468-3472. You can also determine remaining warranty using the Seagate web site (www.seagate.com). The drive serial number is required to determine remaining warranty information.

Shipping

When transporting or shipping a drive, use only a Seagate-approved container. Keep your original box. Seagate approved containers are easily identified by the Seagate Approved Package label. Shipping a drive in a non-approved container voids the drive warranty.

Seagate repair centers may refuse receipt of components improperly packaged or obviously damaged in transit. Contact your authorized Seagate distributor to purchase additional boxes. Seagate recommends shipping by an air-ride carrier experienced in handling computer equipment.

Product repair and return information

Seagate customer service centers are the only facilities authorized to service Seagate drives. Seagate does not sanction any third-party repair facilities. Any unauthorized repair or tampering with the factory seal voids the warranty.

6.0 PHYSICAL/ELECTRICAL SPECIFICATIONS

This section provides information relating to the physical and electrical characteristics of the drive.

6.1 AC POWER REQUIREMENTS

None.

6.2 DC POWER REQUIREMENTS

The voltage and current requirements for a single drive are shown below. Values indicated apply at the drive connector.

The standard drive models and the SED drive models have identical hardware, however the security and encryption portion of the drive controller ASIC is enabled and functional in the SED models. This represents a small additional drain on the 5V supply of about 30mA and a commensurate increase of about 150mW in power consumption. There is no additional drain on the 12V supply.

Table 3 600 GB DC power requirements

		NOTES	3 GBIT MODE		6 GBIT MODE	
			(AMPS)	(AMPS)	(AMPS)	(AMPS)
Voltage			+5V	+12V [2]	+5V	+12V [2]
Regulation		[5]	±5%	±5% [2]	±5%	±5% [2]
Avg idle current		[1] [7]	0.37	0.81	0.38	0.81
Maximum starting current						
(peak DC) DC	3σ	[3]	0.67	1.90	0.68	1.91
(peak AC) AC	3σ	[3]	0.98	3.82	0.98	3.88
Delayed motor start (max) DC	3σ	[1] [4]	0.55	0.04	0.56	0.04
Peak operating current (random read):						
Typical DC	[1][6]	[1]	0.44	1.15	0.45	1.17
Maximum DC	3σ	[1]	0.49	1.20	0.51	1.21
Maximum DC (peak)	3σ		1.32	3.00	1.34	3.00
Peak operating current (random write):						
Typical DC	[1][6]	[1]	0.51	1.03	0.53	1.04
Maximum DC	3σ	[1]	0.56	1.05	0.58	1.07
Maximum DC (peak)	3σ		1.26	2.94	1.28	2.92
Peak operating current (sequential read):						
Typical DC	[1][6]	[1]	0.98	0.83	0.99	0.84
Maximum DC	3σ	[1]	1.08	0.84	1.10	0.85
Maximum DC (peak)	3σ		1.40	1.26	1.46	1.24
Peak operating current (sequential write):						
Typical DC	[1][6]	[1]	0.93	0.83	0.94	0.83
Maximum DC	3σ	[1]	1.00	0.84	1.02	0.85
Maximum DC (peak)	3σ		1.30	1.24	1.30	1.26

Table 4 450 GB DC power requirements

	NOTES	3 GBIT MODE		6 GBIT MODE	
		(AMPS)	(AMPS)	(AMPS)	(AMPS)
Voltage		+5V	+12V [2]	+5V	+12V [2]
Regulation	[5]	±5%	±5% [2]	±5%	±5% [2]
Avg idle current	[1] [7]	0.39	0.68	0.41	0.66
Maximum starting current					
(peak DC) DC	3σ [3]	0.65	1.94	0.67	1.94
(peak AC) AC	3σ [3]	0.94	3.91	0.96	3.89
Delayed motor start (max) DC	3σ [1] [4]	0.54	0.04	0.56	0.04
Peak operating current (random read):					
Typical DC	[1][6] [1]	0.45	1.01	0.47	1.02
Maximum DC	3σ [1]	0.48	1.08	0.51	1.06
Maximum DC (peak)	3σ	1.28	2.90	1.30	2.84
Peak operating current (random write):					
Typical DC	[1][6] [1]	0.52	0.90	0.55	0.89
Maximum DC	3σ [1]	0.56	0.93	0.58	0.91
Maximum DC (peak)	3σ	1.24	2.78	1.26	2.84
Peak operating current (sequential read):					
Typical DC	[1][6] [1]	0.98	0.69	1.03	0.67
Maximum DC	3σ [1]	1.04	0.70	1.10	0.68
Maximum DC (peak)	3σ	1.36	1.10	1.44	1.10
Peak operating current (sequential write):					
Typical DC	[1][6] [1]	0.95	0.69	0.98	0.67
Maximum DC	3σ [1]	0.99	0.70	1.02	0.68
Maximum DC (peak)	3σ	1.26	1.10	1.30	1.12

Table 5 300 GB DC power requirements

	NOTES	3 GBIT MODE		6 GBIT MODE	
		(AMPS)	(AMPS)	(AMPS)	(AMPS)
Voltage		+5V	+12V [2]	+5V	+12V [2]
Regulation	[5]	±5%	±5% [2]	±5%	±5% [2]
Avg idle current	[1] [7]	0.34	0.58	0.35	0.58
Maximum starting current					
(peak DC) DC	3σ [3]	0.53	1.92	0.54	1.92
(peak AC) AC	3σ [3]	0.98	3.82	0.86	3.98
Delayed motor start (max) DC	3σ [1] [4]	0.47	0.04	0.48	0.04
Peak operating current (random read):					
Typical DC	[1][6] [1]	0.41	0.88	0.42	0.90
Maximum DC	3σ [1]	0.42	0.95	0.43	0.95
Maximum DC (peak)	3σ	1.18	2.78	1.20	2.74
Peak operating current (random write):					
Typical DC	[1][6] [1]	0.48	0.80	0.49	0.81
Maximum DC	3σ [1]	0.49	0.83	0.51	0.82
Maximum DC (peak)	3σ	1.18	2.68	1.20	2.66
Peak operating current (sequential read):					
Typical DC	[1][6] [1]	0.91	0.59	0.92	0.59
Maximum DC	3σ [1]	0.93	0.60	0.94	0.61
Maximum DC (peak)	3σ	1.20	0.98	1.24	1.00
Peak operating current (sequential write):					
Typical DC	[1][6] [1]	0.89	0.58	0.90	0.59
Maximum DC	3σ [1]	0.93	0.60	0.94	0.60
Maximum DC (peak)	3σ	1.22	0.98	1.22	0.96

- [1] Measured with average reading DC ammeter or equivalent sampling scope. Instantaneous +12V current peaks will exceed these values. Power supply at nominal voltage. N (number of drives tested) = 6, 35 Degrees C ambient.
- [2] For +12 V, a –10% tolerance is allowed during initial spindle start but must return to ±5% before reaching 15,000 RPM. The ±5% must be maintained after the drive signifies that its power-up sequence has been completed and that the drive is able to accept selection by the host initiator.
- [3] See +12V current profile in Figure 1.
- [4] This condition occurs after OOB and Speed Negotiation completes but before the drive has received the Notify Spinup primitive.
- [5] See paragraph 6.2.1, "Conducted noise immunity." Specified voltage tolerance includes ripple, noise, and transient response.
- [6] Operating condition is defined as random 8 block reads at 375 I/Os per second for 600GB models, and 380 I/Os per second for 450GB and 300GB models. Current and power specified at nominal voltages.
- [7] During idle, the drive heads are relocated every 60 seconds to a random location within the band from three-quarters to maximum track.

General DC power requirement notes.

1. Minimum current loading for each supply voltage is not less than 1.7% of the maximum operating current shown.
2. The +5V and +12V supplies should employ separate ground returns.
3. Where power is provided to multiple drives from a common supply, careful consideration for individual drive power requirements should be noted. Where multiple units are powered on simultaneously, the peak starting current must be available to each device.
4. Parameters, other than spindle start, are measured after a 10-minute warm up.
5. No terminator power.

6.2.1 Conducted noise immunity

Noise is specified as a periodic and random distribution of frequencies covering a band from DC to 10 MHz. Maximum allowed noise values given below are peak-to-peak measurements and apply at the drive power connector.

+5V = 250 mV pp from 100 Hz to 20 MHz.

+12V = 800 mV pp from 100 Hz to 8 KHz.
450 mV pp from 8 KHz to 20 KHz.
250 mV pp from 20 KHz to 5 MHz.

6.2.2 Power sequencing

The drive does not require power sequencing. The drive protects against inadvertent writing during power-up and down.

6.2.3 Current profiles

The +12V and +5V current profiles are shown below in the following figures.

Note: All times and currents are typical. See Tables 3, 4, and 5 for maximum current requirements.

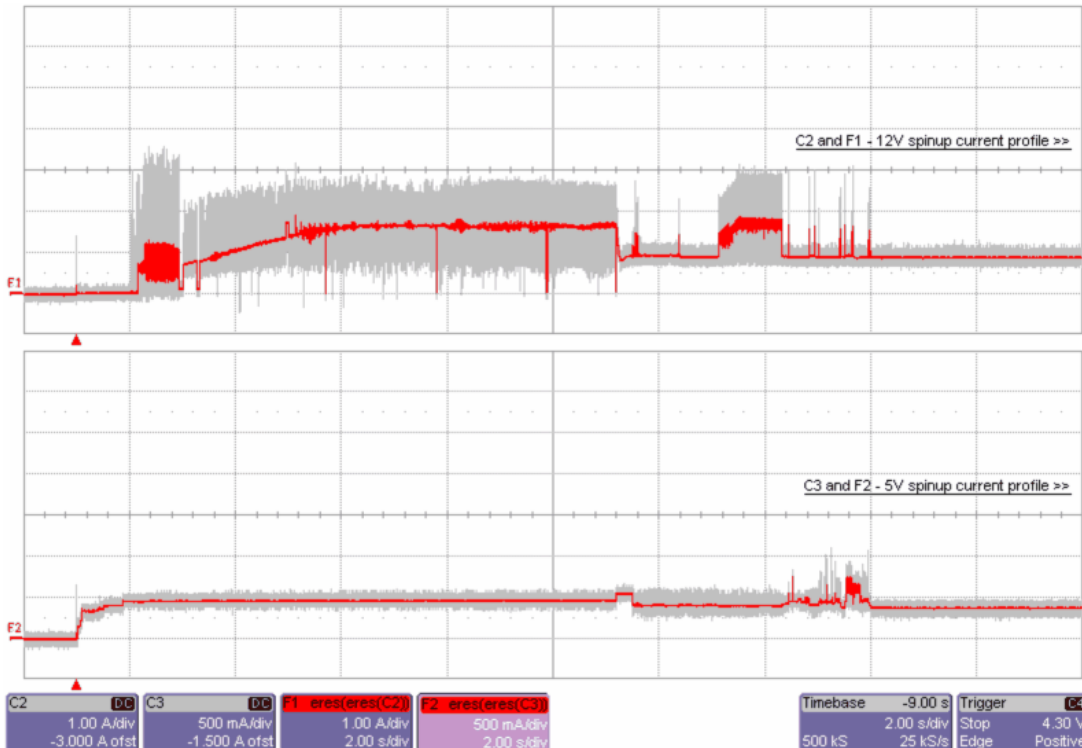


Figure 1. Typical 600GB current profiles

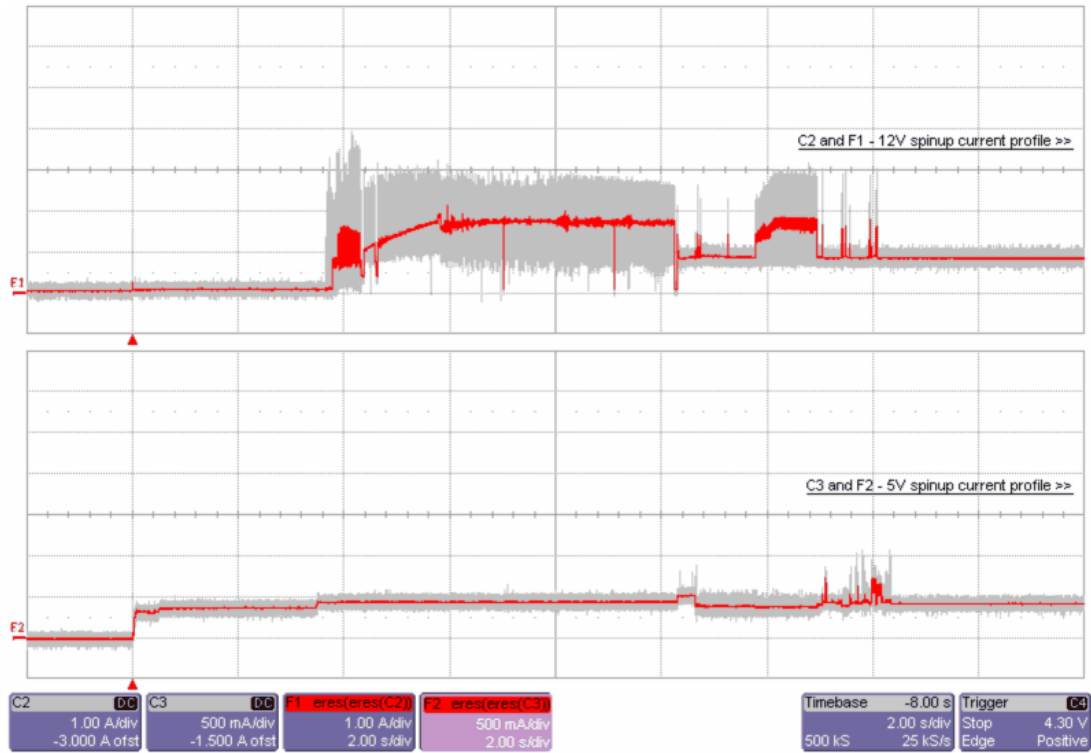


Figure 2. Typical 450GB current profiles

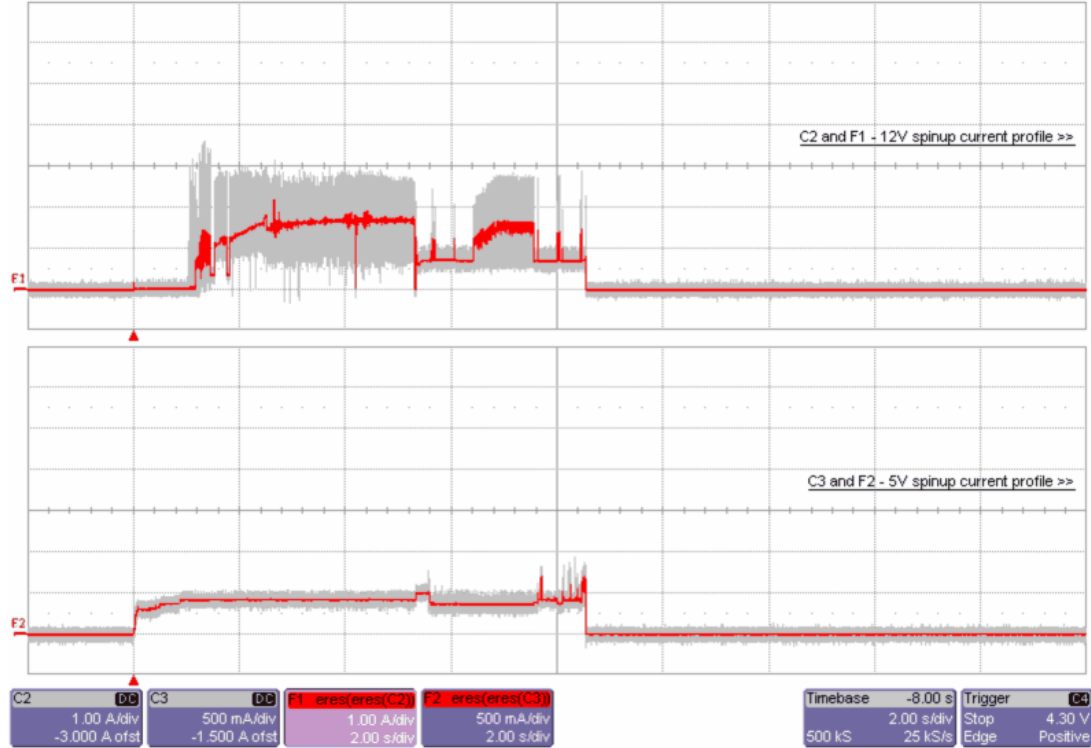


Figure 3. Typical 300GB current profiles

6.3 POWER DISSIPATION

600GB model

Typical power dissipation under idle conditions in 6Gb operation is 11.62 watts (39.65 BTUs per hour).

To obtain operating power for typical random read operations, refer to the following I/O rate curve (see Figure 4). Locate the typical I/O rate for a drive in your system on the horizontal axis and read the corresponding +5 volt current, +12 volt current, and total watts on the vertical axis. To calculate BTUs per hour, multiply watts by 3.4123.

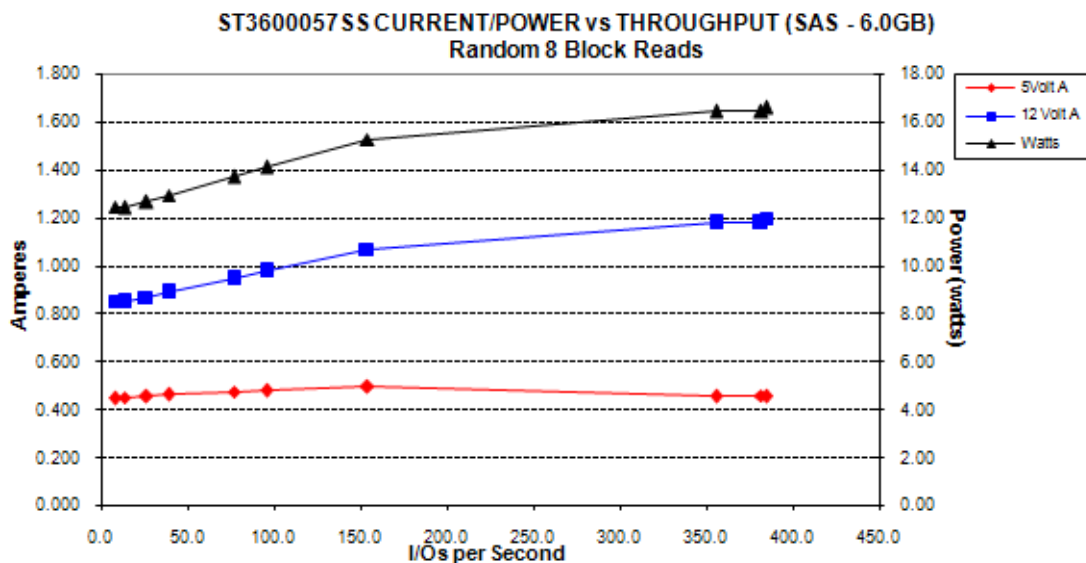


Figure 4. ST3600057SS DC current and power vs. input/output operations per second

450GB model

Typical power dissipation under idle conditions in 6Gb operation is 9.97 watts (34.02 BTUs per hour).

To obtain operating power for typical random read operations, refer to the following I/O rate curve (see Figure 4). Locate the typical I/O rate for a drive in your system on the horizontal axis and read the corresponding +5 volt current, +12 volt current, and total watts on the vertical axis. To calculate BTUs per hour, multiply watts by 3.4123.

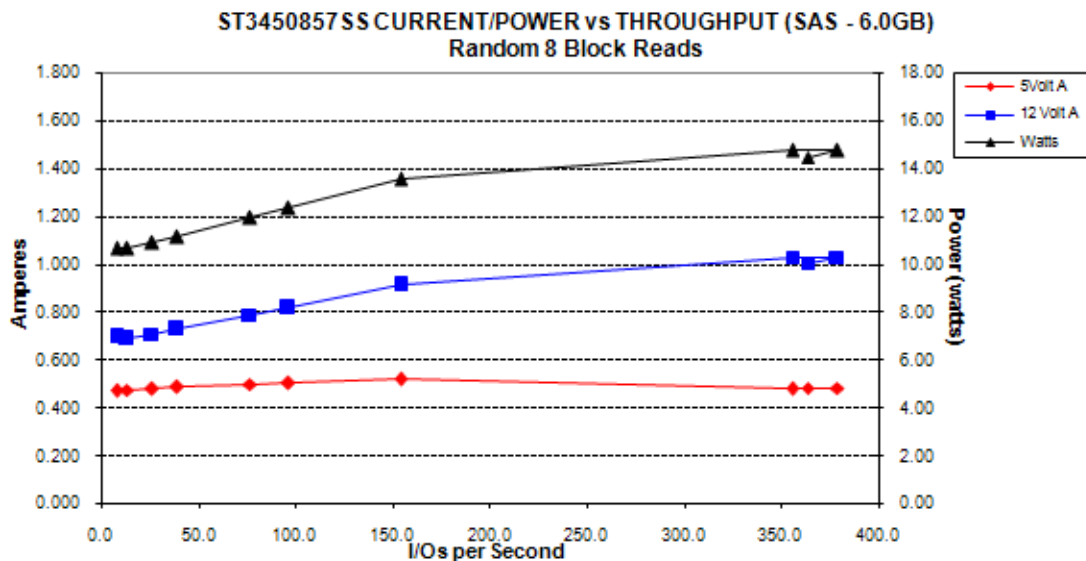


Figure 5. ST3450857SS DC current and power vs. input/output operations per second

300GB model

Typical power dissipation under idle conditions in 6Gb operation is 8.71 watts (29.72 BTUs per hour).

To obtain operating power for typical random read operations, refer to the following I/O rate curve (see Figure 4). Locate the typical I/O rate for a drive in your system on the horizontal axis and read the corresponding +5 volt current, +12 volt current, and total watts on the vertical axis. To calculate BTUs per hour, multiply watts by 3.4123.

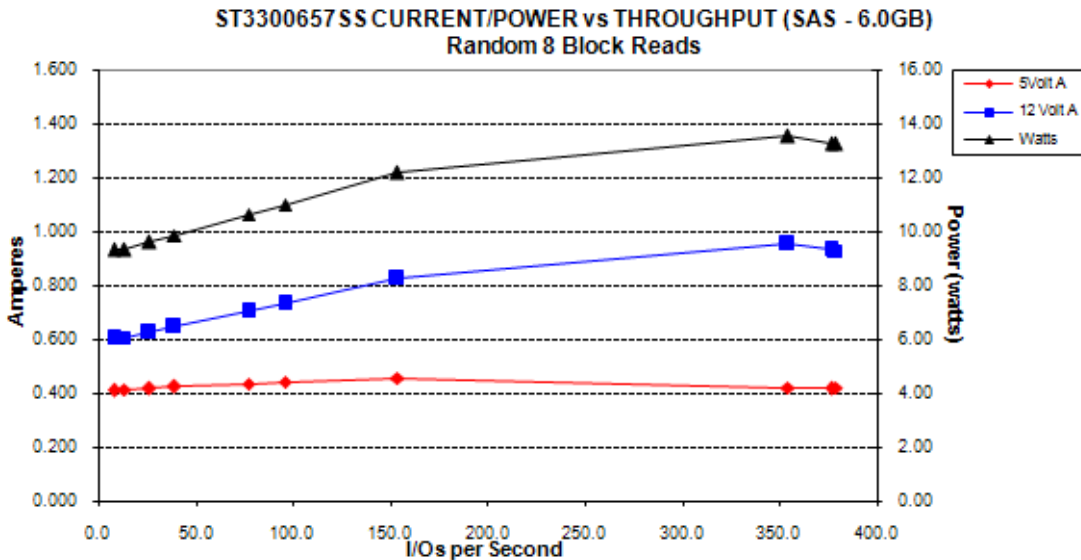


Figure 6. ST3300657SS DC current and power vs. input/output operations per second

6.4 ENVIRONMENTAL LIMITS

Temperature and humidity values experienced by the drive must be such that condensation does not occur on any drive part. Altitude and atmospheric pressure specifications are referenced to a standard day at 58.7°F (14.8°C). Maximum wet bulb temperature is 82°F (28°C).

6.4.1 Temperature

a. Operating

The maximum allowable continuous or sustained HDA case temperature for the rated Annualized Failure Rate (AFR) is 122°F (50°C). The maximum allowable HDA case temperature is 60°C. Occasional excursions of HDA case temperatures above 122°F (50°C) or below 41°F (5°C) may occur without impact to the specified AFR. Continual or sustained operation at HDA case temperatures outside these limits may degrade AFR.

Provided the HDA case temperature limits are met, the drive meets all specifications over a 41°F to 131°F (5°C to 55°C) drive ambient temperature range with a maximum temperature gradient of 68°F (20°C) per hour. Air flow may be needed in the drive enclosure to keep within this range (see Section 8.3). Operation at HDA case temperatures outside this range may adversely affect the drive's ability to meet specifications. To confirm that the required cooling for the electronics and HDA case is provided, place the drive in its final mechanical configuration, perform random write/read operations and measure the HDA case temperature after it has stabilized.

b. Non-operating

−40° to 158°F (−40° to 70°C) package ambient with a maximum gradient of 68°F (20°C) per hour. This specification assumes that the drive is packaged in the shipping container designed by Seagate for use with drive.

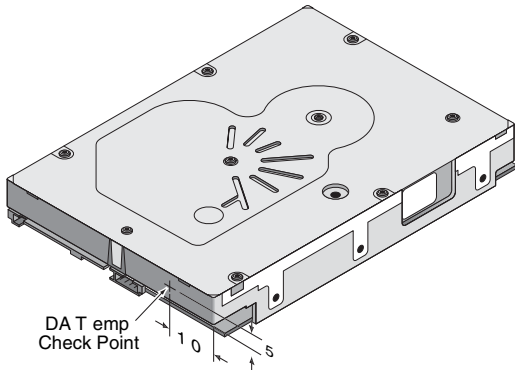


Figure 7. Location of the HDA temperature check point

6.4.2 Relative humidity

The values below assume that no condensation on the drive occurs.

- a. Operating
5% to 95% non-condensing relative humidity with a maximum gradient of 20% per hour.
- b. Non-operating
5% to 95% non-condensing relative humidity.

6.4.3 Effective altitude (sea level)

- a. Operating
-1,000 to +10,000 feet (-305 to +3,048 meters)
- b. Non-operating
-1,000 to +40,000 feet (-305 to +12,210 meters)

6.4.4 Shock and vibration

Shock and vibration limits specified in this document are measured directly on the drive chassis. If the drive is installed in an enclosure to which the stated shock and/or vibration criteria is applied, resonances may occur internally to the enclosure resulting in drive movement in excess of the stated limits. If this situation is apparent, it may be necessary to modify the enclosure to minimize drive movement.

The limits of shock and vibration defined within this document are specified with the drive mounted by any of the four methods shown in Figure 8, and in accordance with the restrictions of Section 10.3.

6.4.4.1 Shock

a. Operating—normal

The drive, as installed for normal operation, shall operate error free while subjected to intermittent shock not exceeding:

- 15 Gs at a duration of 11 msec (half sinewave)
- 20 Gs at a duration of 2 msec (half sinewave)
- 60 Gs at a duration of 2 msec (half sinewave) when performing reads only

Shock may be applied in the X, Y, or Z axis. Shock is not to be repeated more than once every 2 seconds.

b. Operating—abnormal

Equipment, as installed for normal operation, does not incur physical damage while subjected to intermittent shock not exceeding 40 Gs at a duration of 11 msec (half sinewave). Shock occurring at abnormal levels may promote degraded operational performance during the abnormal shock period. Specified operational performance will continue when normal operating shock levels resume. Shock may be applied in the X, Y, or Z axis. Shock is not to be repeated more than once every 2 seconds.

c. Non-operating

The limits of non-operating shock shall apply to all conditions of handling and transportation. This includes both isolated drives and integrated drives.

The drive subjected to nonrepetitive shock not exceeding the three values below, shall not exhibit device damage or performance degradation.

- 80 Gs at a duration of 11 msec (half sinewave)
- 300 Gs at a duration of 2 msec (half sinewave)
- 150 Gs at a duration of 0.5 msec (half sinewave)

Shock may be applied in the X, Y, or Z axis.

d. Packaged

disk drives shipped as loose load (not palletized) general freight will be packaged to withstand drops from heights as defined in the table below. For additional details refer to Seagate specifications 30190-001 (under 100 lbs/45 kg) or 30191-001 (over 100 lbs/45 Kg).

PACKAGE SIZE	PACKAGED/PRODUCT WEIGHT	DROP HEIGHT
<600 cu in (<9,800 cu cm)	Any	60 in (1524 mm)
600-1800 cu in (9,800-19,700 cu cm)	0-20 lb (0 to 9.1 kg)	48 in (1219 mm)
>1800 cu in (>19,700 cu cm)	0-20 lb (0 to 9.1 kg)	42 in (1067 mm)
>600 cu in (>9,800 cu cm)	20-40 lb (9.1 to 18.1 kg)	36 in (914 mm)

Drives packaged in single or multipacks with a gross weight of 20 pounds (8.95 kg) or less by Seagate for general freight shipment shall withstand a drop test from 48 inches (1,070 mm) against a concrete floor or equivalent.

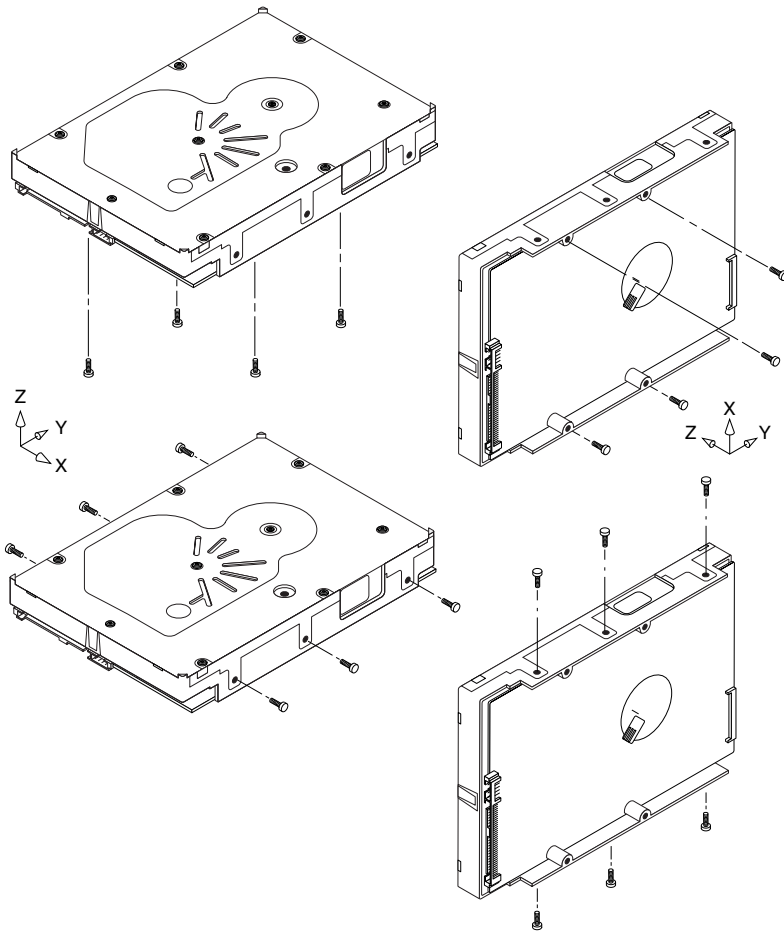


Figure 8. Recommended mounting

6.4.4.2 Vibration

a. Operating—normal

The drive as installed for normal operation, shall comply with the complete specified performance while subjected to continuous vibration not exceeding

10 – 300 Hz	1.0 G RMS (0 to peak)
301– 500 Hz	0.5 G RMS (0 to peak)

Vibration may be applied in the X, Y, or Z axis.

b. Operating—abnormal

Equipment as installed for normal operation shall not incur physical damage while subjected to periodic vibration not exceeding:

15 minutes of duration at major resonant frequency

Vibration occurring at these levels may degrade operational performance during the abnormal vibration period. Specified operational performance will continue when normal operating vibration levels are resumed. This assumes system recovery routines are available.

Operating abnormal translational random flat profile

5 – 500 Hz	0.75 G (0 to peak)
10 - 300 Hz	0.0029 G ² /Hz

c. Non-operating

The limits of non-operating vibration shall apply to all conditions of handling and transportation. This includes both isolated drives and integrated drives.

The drive shall not incur physical damage or degraded performance as a result of continuous vibration not exceeding

5 – 22 Hz	0.25 G (0 to peak, linear, swept sine, 0.5 octave/min)
22 - 350 Hz	3 G (0 to peak, linear, swept sine, 0.5 octave/min)
350 - 500 Hz	1 G (0 to peak, linear, swept sine, 0.5 octave/min)

Vibration may be applied in the X, Y, or Z axis.

6.4.5 Acoustics

Sound power during idle mode shall be 3.4 bels typical when measured to ISO 7779 specification. Sound power while operating shall be 3.8 bels typical when measured to ISO 7779 specification.

There will not be any discrete tones more than 10 dB above the masking noise on typical drives when measured according to Seagate specification 30553-001. There will not be any tones more than 24 dB above the masking noise on any drive.

6.4.6 Air cleanliness

The drive is designed to operate in a typical office environment with minimal environmental control.

6.4.7 Corrosive environment

Seagate electronic drive components pass accelerated corrosion testing equivalent to 10 years exposure to light industrial environments containing sulfurous gases, chlorine and nitric oxide, classes G and H per ASTM B845. However, this accelerated testing cannot duplicate every potential application environment.

Users should use caution exposing any electronic components to uncontrolled chemical pollutants and corrosive chemicals as electronic drive component reliability can be affected by the installation environment. The silver, copper, nickel and gold films used in Seagate products are especially sensitive to the presence of sulfide, chloride, and nitrate contaminants. Sulfur is found to be the most damaging. In addition, electronic components should never be exposed to condensing water on the surface of the printed circuit board assembly (PCBA) or exposed to an ambient relative humidity greater than 95%. Materials used in cabinet fabrication, such as vulcanized rubber, that can outgas corrosive compounds should be minimized or eliminated. The useful life of any electronic equipment may be extended by replacing materials near circuitry with sulfide-free alternatives.

6.4.8 RoHS compliance statement

The European Union Restriction of Hazardous Substances (RoHS) Directive restricts the presence of chemical substances, including Lead (Pb), in electronic products effective July 2006.

A number of parts and materials in Seagate products are procured from external suppliers. We rely on the representations of our suppliers regarding the presence of RoHS substances in these parts and materials. Our supplier contracts require compliance with our chemical substance restrictions, and our suppliers document their compliance with our requirements by providing material content declarations for all parts and materials for the disk drives documented in this publication. Current supplier declarations include disclosure of the inclusion of any RoHS-regulated substance in such parts or materials.

Seagate also has internal systems in place to ensure ongoing compliance with the RoHS Directive and all laws and regulations which restrict chemical content in electronic products. These systems include standard operating procedures that ensure that restricted substances are not utilized in our manufacturing operations, laboratory analytical validation testing, and an internal auditing process to ensure that we comply with all standard operating procedures.

6.4.9 Electromagnetic susceptibility

See Section 2.1.1.1.

6.5 MECHANICAL SPECIFICATIONS

Refer to Figure 9 for detailed physical dimensions. See Section 10.3, "Drive mounting."

Height:	1.03 in	26.10 mm
Width:	4.00 in	101.60 mm
Depth:	5.79 in	147 mm
Weight (max):	1.76 pounds	0.80 kilograms

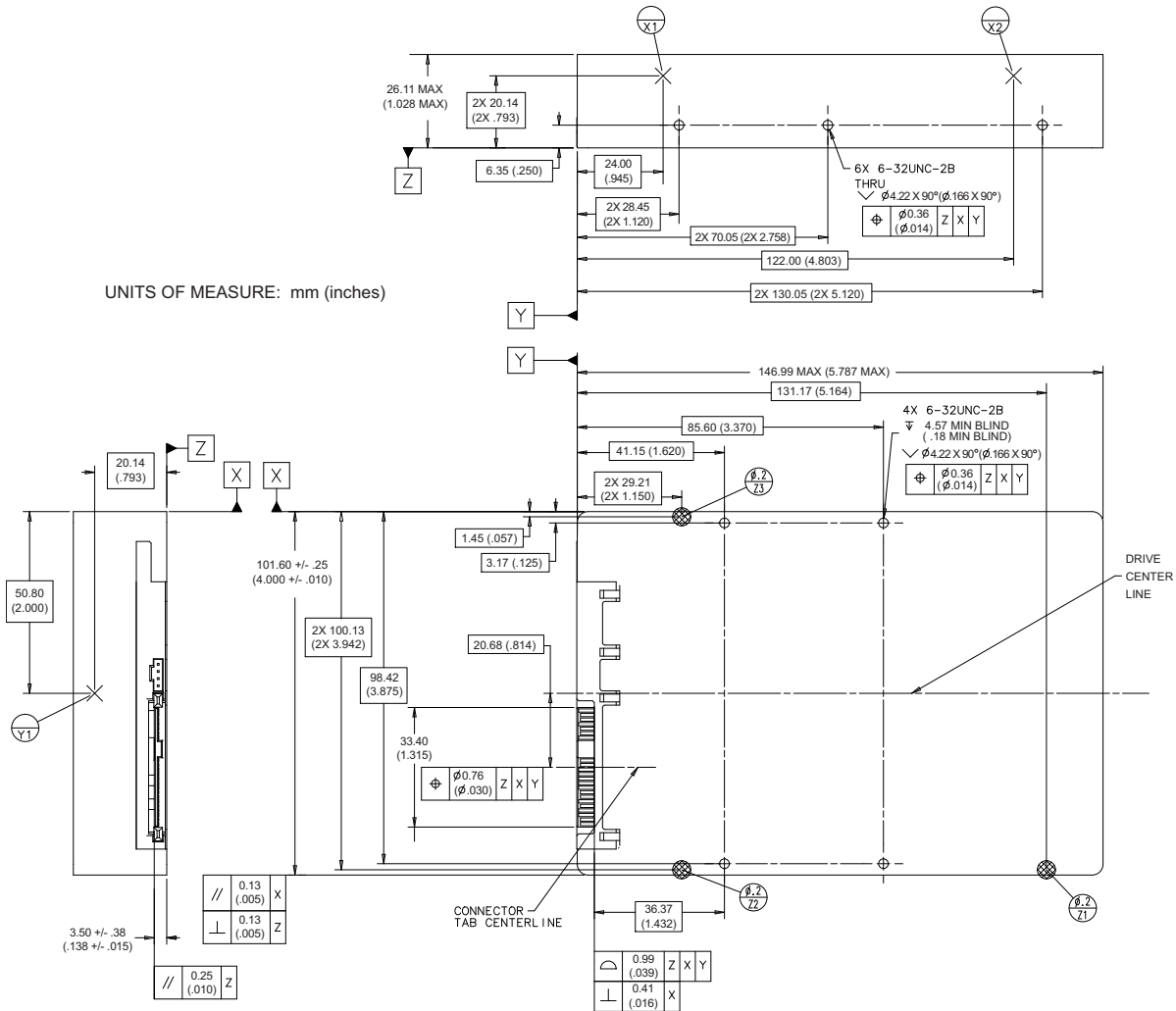


Figure 9. Physical dimensions

7.0 ABOUT FIPS

The Federal Information Processing Standard (FIPS) Publication 140-2 is a U.S. Government Computer Security Standard used to accredit cryptographic modules. It is titled 'Security Requirements for Cryptographic Modules (FIPS PUB 140-2)' and is issued by the National Institute of Standards and Technology (NIST).

Purpose

This standard specifies the security requirements that will be satisfied by a cryptographic module utilized within a security system protecting sensitive but unclassified information. The standard provides four increasing, qualitative levels of security: Level 1, Level 2, Level 3 and Level 4. These levels are intended to cover the wide range of potential applications and environments in which cryptographic modules may be employed.

Validation Program

Products that claim conformance to this standard are validated by the Cryptographic Module Validation Program (CMVP) which is a joint effort between National Institute of Standards and Technology (NIST) and the Communications Security Establishment (CSE) of the Government of Canada. Products validated as conforming to FIPS 140-2 are accepted by the Federal agencies of both countries for the protection of sensitive information (United States) or Designated Information (Canada).

In the CMVP, vendors of cryptographic modules use independent, accredited testing laboratories to have their modules tested. National Voluntary Laboratory Accreditation Program (NVLAP) accredited laboratories perform cryptographic module compliance/conformance testing.

Seagate Enterprise SED

The SED drives referenced in this Product Manual have been validated by CMVP and have been thoroughly tested to satisfy FIPS 140-2 Level 2 requirements. In order to operate in FIPS Approved Mode of Operation, these SEDs require security initialization. For more information, refer to 'Security Rules' section in the 'Security Policy' document uploaded on the NIST website - Cert# 1299: Seagate Secure® Enterprise Self-Encrypting Drives FIPS 140 Module: <http://csrc.nist.gov/groups/STM/cmvp/documents/140-1/140val-all.htm>

Security Level 2

Security Level 2 enhances the physical security mechanisms of a Security Level 1 cryptographic module by adding the requirement for tamper-evidence, which includes the use of tamper-evident coatings or seals on removable covers of the module. Tamper-evident coatings or seals are placed on a cryptographic module so that the coating or seal must be broken to attain physical access to the critical security parameters (CSP) within the module. Tamper-evident seals are placed on covers to protect against unauthorized physical access. In addition Security Level 2 requires, at a minimum, role-based authentication in which a cryptographic module authenticates the authorization of an operator to assume a specific role and perform a corresponding set of services.



Figure 10. Example of FIPS tamper evidence labels.

Note. Image is for reference only, may not represent actual drive..

8.0 ABOUT SELF-ENCRYPTING DRIVES

Self-encrypting drives (SEDs) offer encryption and security services for the protection of stored data, commonly known as “protection of data at rest.” These drives are compliant with the Trusted Computing Group (TCG) Enterprise Storage Specifications as detailed in Section 2.4.

The Trusted Computing Group (TCG) is an organization sponsored and operated by companies in the computer, storage and digital communications industry. Seagate’s SED models comply with the standards published by the TCG.

To use the security features in the drive, the host must be capable of constructing and issuing the following two SCSI commands:

- Security Protocol Out
- Security Protocol In

These commands are used to convey the TCG protocol to and from the drive in their command payloads.

8.1 DATA ENCRYPTION

Encrypting drives use one inline encryption engine for each port, employing AES-128 data encryption in Cipher Block Chaining (CBC) mode to encrypt all data prior to being written on the media and to decrypt all data as it is read from the media. The encryption engines are always in operation, cannot be disabled, and do not detract in any way from the performance of the drive.

The 32-byte Data Encryption Key (DEK) is a random number which is generated by the drive, never leaves the drive, and is inaccessible to the host system. The DEK is itself encrypted when it is stored on the media and when it is in volatile temporary storage (DRAM) external to the encryption engine. A unique data encryption key is used for each of the drive’s possible 16 data bands (see Section 8.5).

8.2 CONTROLLED ACCESS

The drive has two security partitions (SPs) called the "Admin SP" and the "Locking SP." These act as gatekeepers to the drive security services. Security-related commands will not be accepted unless they also supply the correct credentials to prove the requester is authorized to perform the command.

8.2.1 Admin SP

The Admin SP allows the drive’s owner to enable or disable firmware download operations (see Section 8.4). Access to the Admin SP is available using the SID (Secure ID) password or the MSID (Makers Secure ID) password.

8.2.2 Locking SP

The Locking SP controls read/write access to the media and the cryptographic erase feature. Access to the Locking SP is available using the BandMasterX or EraseMaster passwords. Since the drive owner can define up to 16 data bands on the drive, each data band has its own password called BandMasterX where X is the number of the data band (0 through 15).

8.2.3 Default password

When the drive is shipped from the factory, all passwords are set to the value of MSID. This 32-byte random value is printed on the drive label and it can be read by the host electronically over the I/O. After receipt of the drive, it is the responsibility of the owner to use the default MSID password as the authority to change all other passwords to unique owner-specified values.

8.3 RANDOM NUMBER GENERATOR (RNG)

The drive has a 32-byte hardware RNG that it uses to derive encryption keys or, if requested to do so, to provide random numbers to the host for system use, including using these numbers as Authentication Keys (passwords) for the drive’s Admin and Locking SPs.

8.4 DRIVE LOCKING

In addition to changing the passwords, as described in Section 8.2.3, the owner should also set the data access controls for the individual bands.

The variable "LockOnReset" should be set to "PowerCycle" to ensure that the data bands will be locked if power is lost. This scenario occurs if the drive is removed from its cabinet. The drive will not honor any data read or write requests until the bands have been unlocked. This prevents the user data from being accessed without the appropriate credentials when the drive has been removed from its cabinet and installed in another system.

When the drive is shipped from the factory, the firmware download port is locked and the drive will reject any attempt to download new firmware. The drive owner must use the SID credential to unlock the firmware download port before firmware updates will be accepted.

8.5 DATA BANDS

When shipped from the factory, the drive is configured with a single data band called Band 0 (also known as the Global Data Band) which comprises LBA 0 through LBA max. The host may allocate Band1 by specifying a start LBA and an LBA range. The real estate for this band is taken from the Global Band. An additional 14 Data Bands may be defined in a similar way (Band2 through Band15) but before these bands can be allocated LBA space, they must first be individually enabled using the EraseMaster password.

Data bands cannot overlap but they can be sequential with one band ending at LBA (x) and the next beginning at LBA (x+1).

Each data band has its own drive-generated encryption key and its own user-supplied password. The host may change the Encryption Key (see Section 8.6) or the password when required. The bands should be aligned to 4K LBA boundaries.

8.6 CRYPTOGRAPHIC ERASE

A significant feature of SEDs is the ability to perform a cryptographic erase. This involves the host telling the drive to change the data encryption key for a particular band. Once changed, the data is no longer recoverable since it was written with one key and will be read using a different key. Since the drive overwrites the old key with the new one, and keeps no history of key changes, the user data can never be recovered. This is tantamount to an instantaneous data erase and is very useful if the drive is to be scrapped or redispositioned.

8.7 AUTHENTICATED FIRMWARE DOWNLOAD

In addition to providing a locking mechanism to prevent unwanted firmware download attempts, the drive also only accepts download files which have been cryptographically signed by the appropriate Seagate Design Center.

Three conditions must be met before the drive will allow the download operation:

1. The download must be an SED file. A standard (base) drive (non-SED) file will be rejected.
2. The download file must be signed and authenticated.
3. As with a non-SED drive, the download file must pass the acceptance criteria for the drive. For example it must be applicable to the correct drive model, and have compatible revision and customer status.

8.8 POWER REQUIREMENTS

The standard drive models and the SED drive models have identical hardware, however the security and encryption portion of the drive controller ASIC is enabled and functional in the SED models. This represents a small additional drain on the 5V supply of about 30mA and a commensurate increase of about 150mW in power consumption. There is no additional drain on the 12V supply. See the tables in Section 6.2 for power requirements on the standard (non-SED) drive models.

8.9 SUPPORTED COMMANDS

The SED models support the following two commands in addition to the commands supported by the standard (non-SED) models as listed in Table 9:

- Security Protocol Out (B5h)
- Security Protocol In (A2h)

9.0 DEFECT AND ERROR MANAGEMENT

Seagate continues to use innovative technologies to manage defects and errors. These technologies are designed to increase data integrity, perform drive self-maintenance, and validate proper drive operation.

SCSI defect and error management involves drive internal defect/error management and SAS system error considerations (errors in communications between the initiator and the drive). In addition, Seagate provides the following technologies used to increase data integrity and drive reliability:

- Background Media Scan (see Section 9.4)
- Media Pre-Scan (see Section 9.5)
- Deferred Auto-Reallocation (see Section 9.6)
- Idle Read After Write (see Section 9.7)

The read error rates and specified storage capacities are not dependent on host (initiator) defect management routines.

9.1 DRIVE INTERNAL DEFECTS/ERRORS

During the initial drive format operation at the factory, media defects are identified, tagged as being unusable, and their locations recorded on the drive primary defects list (referred to as the “P” list and also as the ETF defect list). At factory format time, these known defects are also reallocated, that is, reassigned to a new place on the medium and the location listed in the defects reallocation table. The “P” list is not altered after factory formatting. Locations of defects found and reallocated during error recovery procedures after drive shipment are listed in the “G” list (defects growth list). The “P” and “G” lists may be referenced by the initiator using the Read Defect Data command.

Details of the SCSI commands supported by the drive are described in the *SAS Interface Manual*. Also, more information on the drive Error Recovery philosophy is presented in the *SAS Interface Manual*.

9.2 DRIVE ERROR RECOVERY PROCEDURES

When an error occurs during drive operation, the drive, if programmed to do so, performs error recovery procedures to attempt to recover the data. The error recovery procedures used depend on the options previously set in the Error Recovery Parameters mode page. Error recovery and defect management may involve using several SCSI commands described in the *SAS Interface Manual*. The drive implements selectable error recovery time limits required in video applications.

The error recovery scheme supported by the drive provides a way to control the total error recovery time for the entire command in addition to controlling the recovery level for a single LBA. The total amount of time spent in error recovery for a command can be limited using the Recovery Time Limit bytes in the Error Recovery mode page. The total amount of time spent in error recovery for a single LBA can be limited using the Read Retry Count or Write Retry Count bytes in the Error Recovery mode page.

The drive firmware error recovery algorithms consists of 13 levels for read recoveries and five levels for write. Each level may consist of multiple steps, where a step is defined as a recovery function involving a single re-read or re-write attempt. The maximum level used by the drive in LBA recovery is determined by the read and write retry counts.

Table 6 equates the read and write retry count with the maximum possible recovery time for read and write recovery of individual LBAs. The times given do not include time taken to perform reallocations. Reallocations are performed when the ARRE bit (for reads) or AWRE bit (for writes) is one, the RC bit is zero, and the recovery time limit for the command has not yet been met. Time needed to perform reallocation is not counted against the recovery time limit.

When the RC bit is one, reallocations are disabled even if the ARRE or AWRE bits are one. The drive will still perform data recovery actions within the limits defined by the Read Retry Count, Write Retry Count, and Recovery Time Limit parameters. However, the drive does not report any unrecovered errors

Table 6 Read and write retry count maximum recovery times [1]

READ RETRY COUNT	MAXIMUM RECOVERY TIME PER LBA (CUMULATIVE, MSEC)	WRITE RETRY COUNT	MAXIMUM RECOVERY TIME PER LBA (CUMULATIVE, MSEC)
0	51.87	0	23.94
1	59.85	1	35.91
2	203.49	2	39.9
3	231.42	3	51.87
4	295.26	4	79.8
5	327.18	5 (default)	107.73
6	359.10		
7	446.88		
8	538.65		
9	570.57		
10	598.50		
11 (default)	1,534.97		

[1] These values are subject to change.

Setting these retry counts to a value below the default setting could result in degradation of the unrecovered error rate which may exceed the value given in this product manual. A setting of zero (0) will result in the drive not performing error recovery.

For example, suppose the read/write recovery page has the RC bit set to 0, read retry count set to 4, and the recovery time limit field (Mode Sense page 01, bytes 10 and 11) set to FF FF hex (maximum). A four LBA Read command is allowed to take up to 253.11 msec recovery time for each of the four LBAs in the command. If the recovery time limit is set to 00 C8 hex (200 msec decimal) a four LBA read command is allowed to take up to 200 msec for all error recovery within that command. The use of the Recovery Time Limit field allows finer granularity on control of the time spent in error recovery. The recovery time limit only starts counting when the drive is executing error recovery and it restarts on each command. Therefore, each command's total recovery time is subject to the recovery time limit. Note: A recovery time limit of 0 will use the drive's default value of FF FF. Minimum recovery time limit is achieved by setting the Recovery Time Limit field to 00 01.

9.3 SAS SYSTEM ERRORS

Information on the reporting of operational errors or faults across the interface is given in the *SAS Interface Manual*. The SSP Response returns information to the host about numerous kinds of errors or faults. The Receive Diagnostic Results reports the results of diagnostic operations performed by the drive.

Status returned by the drive to the initiator is described in the *SAS Interface Manual*. Status reporting plays a role in systems error management and its use in that respect is described in sections where the various commands are discussed.

9.4 BACKGROUND MEDIA SCAN

Background Media Scan (BMS) is a self-initiated media scan. BMS is defined in the T10 document SPC-4 available from the T10 committee. BMS performs sequential reads across the entire pack of the media while the drive is idle. In RAID arrays, BMS allows hot spare drives to be scanned for defects prior to being put into service by the host system. On regular duty drives, if the host system makes use of the BMS Log Page, it can avoid placing data in suspect locations on the media. Unreadable and recovered error sites will be logged or reallocated per ARRE/AWRE settings.

With BMS, the host system can consume less power and system overhead by only checking BMS status and results rather than tying up the bus and consuming power in the process of host-initiated media scanning activity.

Since the background scan functions are only done during idle periods, BMS causes a negligible impact to system performance. The first BMS scan for a newly manufactured drive is performed as quickly as possible to verify the media and protect data by setting the “Start time after idle” to 5ms, all subsequent scans begin after 500ms of idle time. Other features that normally use idle time to function will function normally because BMS functions for bursts of 800ms and then suspends activity for 100ms to allow other background functions to operate.

BMS interrupts immediately to service host commands from the interface bus while performing reads. BMS will complete any BMS-initiated error recovery prior to returning to service host-initiated commands. Overhead associated with a return to host-servicing activity from BMS only impacts the first command that interrupted BMS, this results in a typical delay of about 1 ms.

9.5 MEDIA PRE-SCAN

Media Pre-Scan is a feature that allows the drive to repair media errors that would otherwise have been found by the host system during critical data accesses early in the drive’s life. The default setting for Media Pre-Scan is enabled on standard products. Media Pre-Scan checks each write command to determine if the destination LBAs have been scanned by BMS. If the LBAs have been verified, the drive proceeds with the normal write command. If the LBAs have not been verified by BMS, Pre-Scan will convert the write to a write verify to certify that the data was properly written to the disk.

Note. During Pre-Scan write verify commands, write performance may decrease by 50% until Pre-Scan completes. Write performance testing should be performed after Pre-Scan is complete. This may be checked by reading the BMS status.

To expedite the scan of the full pack and subsequently exit from the Pre-Scan period, BMS will begin scanning immediately when the drive goes to idle during the Pre-Scan period. In the event that the drive is in a high transaction traffic environment and is unable to complete a BMS scan within 24 power on hours BMS will disable Pre-Scan to restore full performance to the system.

9.6 DEFERRED AUTO-REALLOCATION

Deferred Auto-Reallocation (DAR) simplifies reallocation algorithms at the system level by allowing the drive to reallocate unreadable locations on a subsequent write command. Sites are marked for DAR during read operations performed by the drive. When a write command is received for an LBA marked for DAR, the auto-reallocation process is invoked and attempts to rewrite the data to the original location. If a verification of this rewrite fails, the sector is re-mapped to a spare location.

This is in contrast to the system having to use the Reassign Command to reassign a location that was unreadable and then generate a write command to rewrite the data. DAR is most effective when AWRE and ARRE are enabled—this is the default setting from the Seagate factory. With AWRE and ARRE disabled DAR is unable to reallocate the failing location and will report an error sense code indicating that a write command is being attempted to a previously failing location.

9.7 IDLE READ AFTER WRITE

Idle Read After Write (IRAW) utilizes idle time to verify the integrity of recently written data. During idle periods, no active system requests, the drive reads recently written data from the media and compares it to valid write command data resident in the drives data buffer. Any sectors that fail the comparison result in the invocation of a rewrite and auto-reallocation process. The process attempts to rewrite the data to the original location. If a verification of this rewrite fails, the sector is re-mapped to a spare location.

10.0 INSTALLATION

Cheetah 15K.7 disk drive installation is a plug-and-play process. There are no jumpers, switches, or terminators on the drive.

SAS drives are designed to be used in a host system that provides a SAS-compatible backplane with bays designed to accommodate the drive. In such systems, the host system typically provides a carrier or tray into which you need to mount the drive. Mount the drive to the carrier or tray provided by the host system using four 6-32 UNC screws. Do not over-tighten or force the screws. You can mount the drive in any orientation.

Note. SAS drives are designed to be attached to the host system without I/O or power cables. If you intend the use the drive in a non-backplane host system, connecting the drive using high-quality cables is acceptable as long as the I/O cable length does not exceed 4 meters (13.1 feet).

Slide the carrier or tray into the appropriate bay in your host system using the instructions provided by the host system. This connects the drive directly to your system's SAS connector. The SAS connector is normally located on a SAS backpanel. See Section 11.4.1 for additional information about these connectors.

Power is supplied through the SAS connector.

The drive is shipped from the factory low-level formatted in 512-byte logical blocks. You need to reformat the drive only if you want to select a different logical block size.

10.1 DRIVE ORIENTATION

The drive may be mounted in any orientation. All drive performance characterizations, however, have been done with the drive in horizontal (disks level) and vertical (drive on its side) orientations, which are the two preferred mounting orientations.

10.2 COOLING

Cabinet cooling must be designed by the customer so that the ambient temperature immediately surrounding the drive will not exceed temperature conditions specified in Section 6.4.1, "Temperature."

The rack, cabinet, or drawer environment for the drive must provide heat removal from the electronics and head and disk assembly (HDA). You should confirm that adequate heat removal is provided using the temperature measurement guidelines described in Section 6.4.1.

Forced air flow may be required to keep temperatures at or below the temperatures specified in Section 6.4.1 in which case the drive should be oriented, or air flow directed, so that the least amount of air flow resistance is created while providing air flow to the electronics and HDA. Also, the shortest possible path between the air inlet and exit should be chosen to minimize the travel length of air heated by the drive and other heat sources within the rack, cabinet, or drawer environment.

If forced air is determined to be necessary, possible air-flow patterns are shown in Figure 11. The air-flow patterns are created by one or more fans, either forcing or drawing air as shown in the illustrations. Conduction, convection, or other forced air-flow patterns are acceptable as long as the temperature measurement guidelines of Section 6.4.1 are met.

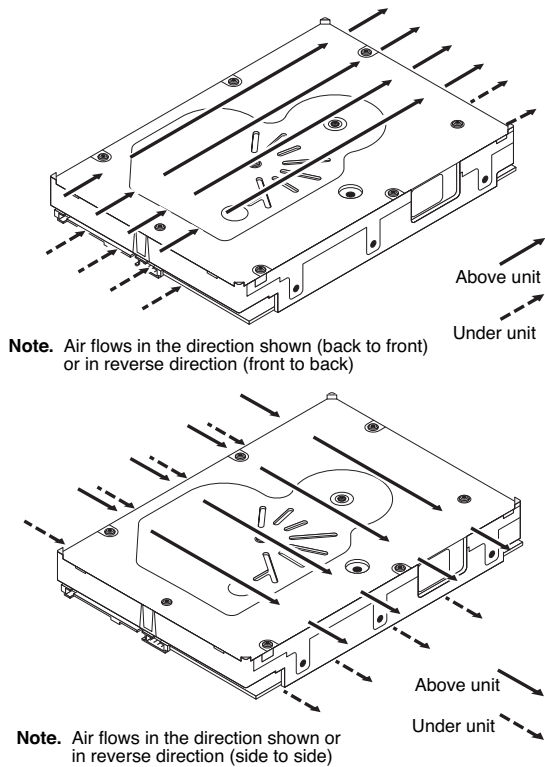


Figure 11. Air flow

10.3 DRIVE MOUNTING

Mount the drive using the bottom or side mounting holes. If you mount the drive using the bottom holes, ensure that you do not physically distort the drive by attempting to mount it on a stiff, non-flat surface.

The allowable mounting surface stiffness is 80 lb/in (14.0 N/mm). The following equation and paragraph define the allowable mounting surface stiffness:

$$K \times X = F \leq 15\text{lb} = 67\text{N}$$

where K is the mounting surface stiffness (units in lb/in or N/mm) and X is the out-of-plane surface distortion (units in inches or millimeters). The out-of-plane distortion (X) is determined by defining a plane with three of the four mounting points fixed and evaluating the out-of-plane deflection of the fourth mounting point when a known force (F) is applied to the fourth point.

10.4 GROUNDING

Signal ground (PCBA) and HDA ground are connected together in the drive and cannot be separated by the user. The equipment in which the drive is mounted is connected directly to the HDA and PCBA with no electrically isolating shock mounts. If it is desired for the system chassis to not be connected to the HDA/PCBA ground, the systems integrator or user must provide a nonconductive (electrically isolating) method of mounting the drive in the host equipment.

Increased radiated emissions may result if you do not provide the maximum surface area ground connection between system ground and drive ground. This is the system designer's and integrator's responsibility.

11.0 INTERFACE REQUIREMENTS

This section partially describes the interface requirements as implemented on Cheetah 15K.7 drives. Additional information is provided in the *SAS Interface Manual* (part number 100293071).

11.1 SAS FEATURES

This section lists the SAS-specific features supported by Cheetah 15K.7 drives.

11.1.1 task management functions

Table 7 lists the SAS task management functions supported.

Table 7 SAS task management functions supported

TASK NAME	SUPPORTED
Abort Task	Yes
Clear ACA	Yes
Clear task set	Yes
Abort task set	Yes
Logical Unit Reset	Yes
Query Task	Yes

11.1.2 task management responses

Table 8 lists the SAS response codes returned for task management functions supported.

Table 8 Task management response codes

FUNCTION NAME	RESPONSE CODE
Function complete	00
Invalid frame	02
Function not supported	04
Function failed	05
Function succeeded	08
Invalid logical unit	09

11.2 DUAL PORT SUPPORT

Cheetah 15K.7 SAS drives have two independent ports. These ports may be connected in the same or different SCSI domains. Each drive port has a unique SAS address.

The two ports have the capability of independent port clocking (e.g. both ports can run at 6Gbit/sec or the first port can run at 6Gbit/sec while the second port runs at 3Gbit/sec.) The supported link rates are 1.5, 3.0, or 6.0 Gbits/sec.

Subject to buffer availability, the Cheetah 15K.7 drives support:

- Concurrent port transfers—The drive supports receiving COMMAND, TASK management transfers on both ports at the same time.

Full duplex—The drive supports sending XFER_RDY, DATA and RESPONSE transfers while receiving frames on both ports.

11.3 SCSI COMMANDS SUPPORTED

Table 9 lists the SCSI commands supported by Cheetah 15K.7 drives.

Table 9 Commands supported by Cheetah 15K.7 SAS family drives

Command name	Command code	Supported
Change Definition	40h	N
Compare	39h	N
Copy	18h	N
Copy and Verify	3Ah	N
Format Unit [1]	04h	Y
DPRY bit supported		N
DCRT bit supported		Y
STPF bit supported		Y
IP bit supported		Y
DSP bit supported		Y
IMMED bit supported		Y
VS (vendor specific)		N
Inquiry	12h	Y
Date Code page (C1h)		Y
Device Behavior page (C3h)		Y
Firmware Numbers page (C0h)		Y
Implemented Operating Def page (81h)		Y
Jumper Settings page (C2h)		Y
Supported Vital Product Data page (00h)		Y
Unit Serial Number page (80h)		Y
Lock-unlock cache	36h	N
Log Select	4Ch	Y
PCR bit		Y
DU bit		N
DS bit		Y
TSD bit		Y
ETC bit		N
TMC bit		N
LP bit		N
Log Sense	4Dh	Y
Application Client Log page (0Fh)		N
Buffer Over-run/Under-run page (01h)		N
Cache Statistics page (37h)		Y
Factory Log page (3Eh)		Y
Last n Deferred Errors or Asynchronous Events page (0Bh)		N
Last n Error Events page (07h)		N
Non-medium Error page (06h)		Y
Pages Supported list (00h)		Y
Read Error Counter page (03h)		Y
Read Reverse Error Counter page (04h)		N
Self-test Results page (10h)		Y
Background Medium Scan page (15h)		Y

Table 9 Commands supported by Cheetah 15K.7 SAS family drives (continued)

Command name	Command code	Supported
Start-stop Cycle Counter page (0Eh)		N
Temperature page (0Dh)		Y
Verify Error Counter page (05h)		Y
Write error counter page (02h)		Y
Mode Select (same pages as Mode Sense 1Ah)	15h	Y [2]
Mode Select (10) (same pages as Mode Sense 1Ah)	55h	Y
Mode Sense	1Ah	Y [2]
Caching Parameters page (08h)		Y
Control Mode page (0Ah)		Y
Disconnect/Reconnect (02h)		Y
Error Recovery page (01h)		Y
Format page (03h)		Y
Information Exceptions Control page (1Ch)		Y
Background Scan mode subpage (01h)		Y
Notch and Partition Page (0Ch)		N
Protocol-Specific Port page (19h)		Y
Power Condition page (1Ah)		Y
Rigid disk Drive Geometry page (04h)		Y
Unit Attention page (00h)		Y
Verify Error Recovery page (07h)		Y
Xor Control page (10h)		N
Mode Sense (10) (same pages as Mode Sense 1Ah)	5Ah	Y
Prefetch	34h	N
Read	08h	Y
Read Buffer (modes 0, 2, 3, Ah and Bh supported)	3Ch	Y
Read Capacity	25h	Y
Read Defect Data (10)	37h	Y
Read Defect Data (12)	B7h	Y
Read Extended	28h	Y
DPO bit supported		Y
FUA bit supported		Y
Read Long	3Eh	Y
Reassign Blocks	07h	Y
Receive Diagnostic Results	1Ch	Y
Supported Diagnostics pages (00h)		Y
Translate page (40h)		Y
Release	17h	Y
Release (10)	57h	Y
Request Sense	03h	Y
Actual Retry Count bytes		Y
Extended Sense		Y
Field Pointer bytes		Y
Reserve	16h	Y
3rd Party Reserve		Y
Extent Reservation		N

Table 9 Commands supported by Cheetah 15K.7 SAS family drives (continued)

Command name	Command code	Supported
Reserve (10)	56h	Y
3rd Party Reserve		Y
Extent Reservation		N
Rezero Unit	01h	Y
Search Data Equal	31h	N
Search Data High	30h	N
Search Data Low	32h	N
Seek	0Bh	Y
Seek Extended	2Bh	Y
Send Diagnostics	1Dh	Y
Supported Diagnostics pages (00h)		Y
Translate page (40h)		Y
Set Limits	33h	N
Start Unit/Stop Unit (spindle ceases rotating)	1Bh	Y
Synchronize Cache	35h	Y
Test Unit Ready	00h	Y
Verify	2Fh	Y
BYTCHK bit		Y
Write	0Ah	Y
Write and Verify	2Eh	Y
DPO bit		Y
Write Buffer (modes 0, 2, supported)	3Bh	Y
Firmware Download option (modes 5, 7, Ah and Bh supported) [3]		Y
Write Extended	2Ah	Y
DPO bit		Y
FUA bit		Y
Write Long	3Fh	Y
Write Same	41h	Y
PBdata		N
LBdata		N
XDRead	52h	N
XDWrite	50h	N
XPWrite	51h	N

[1] Cheetah 15K.7 drives can format to 512, 520, 524, or 528 bytes per logical block.

[2] **Warning.** Power loss during flash programming can result in firmware corruption. This usually makes the drive inoperable.

[3] Reference Mode Sense command 1Ah for mode pages supported.

[4] Y = Yes. Command is supported.

N = No. Command is not supported.

A = Support is available on special request.

11.3.1 Inquiry data

Table lists the Inquiry command data that the drive should return to the initiator per the format given in the *SAS Interface Manual*.

Table 10 Cheetah 15K.7 inquiry data

BYTES	DATA (HEX)																
0-15	00	00	xx**	12	8B	00	PP	02	53	45	41	47	41	54	45	20	Vendor ID
16-31	[53	54	33	36	30	30	30	35	37	53	53] ¹	20	20	20	20	20	Product ID
32-47	R#	R#	R#	R#	S#	S#	S#	S#	S#	S#	S#	S#	00	00	00	00	
48-63	00	00	00	00	00	00	00	00	00	00	00	00	00	00	00	00	
64-79	00	00	00	00	00	00	00	00	00	00	00	00	00	00	00	00	
80-95	00	00	00	00	00	00	00	00	00	00	00	00	00	00	00	00	
96-111	00	43	6F	70	79	72	69	67	68	74	20	28	63	29	20	32*	*Copyright
112-127	30*	30*	39*	20	53	65	61	67	61	74	65	20	41	6C	6C	20	notice
128-143	72	69	67	68	74	73	20	72	65	73	65	72	76	65	64	20	

* Copyright year (changes with actual year).

** SCSI Revision support. Refer to the appropriate SPC release documentation for definitions.

PP 10 = Inquiry data for an Inquiry command received on Port A.

30 = Inquiry data for an Inquiry command received on Port B.

R# Four ASCII digits representing the last four digits of the product firmware release number.

S# Eight ASCII digits representing the eight digits of the product serial number.

[] Bytes 18 through 26 reflect model of drive. The table above shows the hex values for Model ST3600057SS.

11.3.2 Mode Sense data

The Mode Sense command provides a way for the drive to report its operating parameters to the initiator. The drive maintains four sets of mode parameters:

1. Default values

Default values are hard-coded in the drive firmware stored in flash E-PROM (nonvolatile memory) on the drive's PCB. These default values can be changed only by downloading a complete set of new firmware into the flash E-PROM. An initiator can request and receive from the drive a list of default values and use those in a Mode Select command to set up new current and saved values, where the values are changeable.

2. Saved values

Saved values are stored on the drive's media using a Mode Select command. Only parameter values that are allowed to be changed can be changed by this method. Parameters in the saved values list that are not changeable by the Mode Select command get their values from default values storage.

When power is applied to the drive, it takes saved values from the media and stores them as current values in volatile memory. It is not possible to change the current values (or the saved values) with a Mode Select command before the drive achieves operating speed and is "ready." An attempt to do so results in a "Check Condition" status.

On drives requiring unique saved values, the required unique saved values are stored into the saved values storage location on the media prior to shipping the drive. Some drives may have unique firmware with unique default values also.

On standard OEM drives, the saved values are taken from the default values list and stored into the saved values storage location on the media prior to shipping.

3. Current values

Current values are volatile values being used by the drive to control its operation. A Mode Select command can be used to change the values identified as changeable values. Originally, current values are installed from saved or default values after a power on reset, hard reset, or Bus Device Reset message.

4. Changeable values

Changeable values form a bit mask, stored in nonvolatile memory, that dictates which of the current values and saved values can be changed by a Mode Select command. A one (1) indicates the value can be changed. A zero (0) indicates the value is not changeable. For example, in Table 11.3.2.1, refer to Mode page 81, in the row entitled "CHG." These are hex numbers representing the changeable values for Mode page 81. Note in columns 5 and 6 (bytes 04 and 05), there is 00h which indicates that in bytes 04 and 05 none of the bits are changeable. Note also that bytes 06, 07, 09, 10, and 11 are not changeable, because those fields are all zeros. In byte 02, hex value FF equates to the binary pattern 11111111. If there is a zero in any bit position in the field, it means that bit is not changeable. Since all of the bits in byte 02 are ones, all of these bits are changeable.

The changeable values list can only be changed by downloading new firmware into the flash E-PROM.

Note. Because there are often several different versions of drive control firmware in the total population of drives in the field, the Mode Sense values given in the following tables may not exactly match those of some drives.

The following tables list the values of the data bytes returned by the drive in response to the Mode Sense command pages for SCSI implementation (see the *SAS Interface Manual*).

Definitions:

DEF = Default value. Standard OEM drives are shipped configured this way.

CHG = Changeable bits; indicates if default value is changeable.

11.3.2.3 300GB model Mode Sense data

MODE DATA HEADER:

01 76 00 10 00 00 00 08

BLOCK DESCRIPTOR:

22 ec b2 5c 00 00 02 00

MODE PAGES:

DEF 81 0a c0 0b ff 00 00 00 05 00 ff ff

CHG 81 0a ff ff 00 00 00 00 ff 00 ff ff

DEF 82 0e 00 00 00 00 00 00 00 01 3a 00 00 00 00

CHG 82 0e 00 00 00 00 00 00 00 ff 00 00 00 00

DEF 83 16 bb d0 00 00 00 00 03 80 04 c4 02 00 00 01 00 c0 00 4c 40 00 00 00

CHG 83 16 00

DEF 84 16 01 8a 9a 04 00 00 00 00 00 00 00 00 00 00 00 00 00 3a a7 00 00

CHG 84 16 00

DEF 87 0a 00 0b ff 00 00 00 00 ff ff

CHG 87 0a 0f ff 00 00 00 00 ff ff

DEF 88 12 14 00 ff ff 00 00 ff ff ff ff 80 20 00 00 00 00 00

CHG 88 12 a5 00 00 00 ff ff ff ff 00 00 20 00 00 00 00 00 00

DEF 8a 0a 02 00 00 00 00 00 00 00 0c 80

CHG 8a 0a 03 f0 00 00 00 00 00 00 00 00

DEF 18 06 06 00 00 00 00 00

CHG 18 06 00 00 00 00 00 00

DEF 99 0e 06 00 07 d0 00 00 00 00 00 00 00 00 00 00

CHG 99 0e 10 00 ff ff ff ff 00 00 00 00 00 00 00 00

DEF d9 01 00 64 00 06 00 02 00 00 00 00 14 0a 0e 00 50 00 c5 00 00 5f 66 d5 50 00 00
00 80 00 00 00 01 00 00 00 00 00 00 88 aa 00 00 00 00 00 00 00 00 00 00 00 00 00
00 01 00 00 14 2a 0e 00 50 00 c5 00 00 5f 66 d6 50 00 00 00 80 00 00 01 03 00 00 00 00
00 00 00 88 aa 00 00 00 00 00 00 00 00 00 00 00 00 00 00

CHG d9 01 00 64 00
00
00
00 00 00 f0 f0 00

DEF 59 02 00 0c 00 06 03 e8 00 00 00 00 00 00 00 00

CHG 59 02 00 0c 00 00 ff ff 00 00 00 00 00 00 00 00

DEF 59 03 00 2c 00 06 00 02 00 00 00 10 80 ac 00 01 80 ac 00 01 80 a8 00 00 00 0a 00 00 01 00 10 80 ac 00 01 80 ac 00 01 80 a8 00 00 00
00 0a 00

CHG 59 03 00 2c 00
00 00 00 00

DEF 9a 0a 00 02 00 00 00 05 00 00 8c a0

CHG 9a 0a 00 03 ff ff ff ff 00 00 00 00

DEF 9c 0a 10 00 00 00 00 00 00 00 00 01

CHG 9c 0a 9d 0f ff ff ff ff ff ff ff

DEF dc 01 00 0c 01 01 00 18 00 18 00 00 00 00 00 00

CHG dc 01 00 0c 00 01 ff ff ff ff 00 00 00 00 00 00

DEF 80 06 00 80 0f 00 00 00

CHG 80 06 b7 c0 8f 00 00 00

READ CAPACITY DATA:

READ BUFFER

0 1 2 3 4 5 6 7 8 9 A B C D E F ASCII
00000: 22 EC B2 5B 00 00 02 00 _ _ _ _ _ _ _ _

11.4 MISCELLANEOUS OPERATING FEATURES AND CONDITIONS

Table 11 lists various features and conditions. A “Y” in the support column indicates the feature or condition is supported. An “N” in the support column indicates the feature or condition is not supported.

Table 11 Miscellaneous features

Supported	Feature or condition
N	Automatic contingent allegiance
N	Asynchronous event notification
N	Synchronized (locked) spindle operation
Y	Segmented caching
N	Zero latency read
Y	Queue tagging (up to 64 queue tags supported)
Y	Deferred error handling
Y	Parameter rounding (controlled by Round bit in Mode Select page 0)
Y	Reporting actual retry count in Extended Sense bytes 15, 16, and 17
N	Adaptive caching
Y	SMP = 1 in Mode Select command needed to save RPL and rotational offset bytes

Table 12 Miscellaneous status

Supported	Status
Y	Good
Y	Check condition
Y	Condition met/good
Y	Busy
Y	Intermediate/good
Y	Intermediate/condition met/good
Y	Reservation conflict
Y	Task set full
N	ACA active
N	ACA active, faulted initiator

11.4.1 SAS physical interface

Figure 12 shows the location of the SAS device connector J1. Figures 13 and 14 provide the dimensions of the SAS device.

Details of the physical, electrical, and logical characteristics are provided within this section. The operational aspects of Seagate’s SAS drives are provided in the *SAS Interface Manual*.

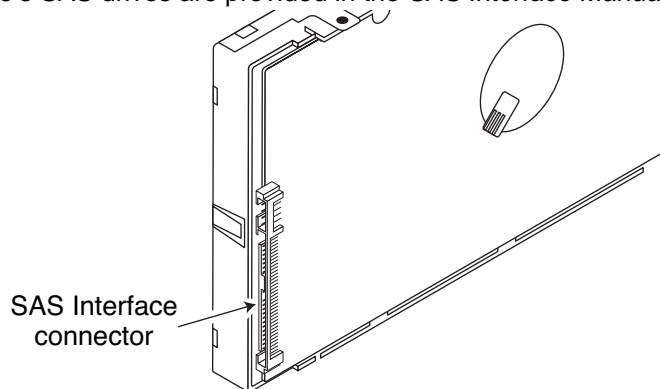


Figure 12. Physical interface

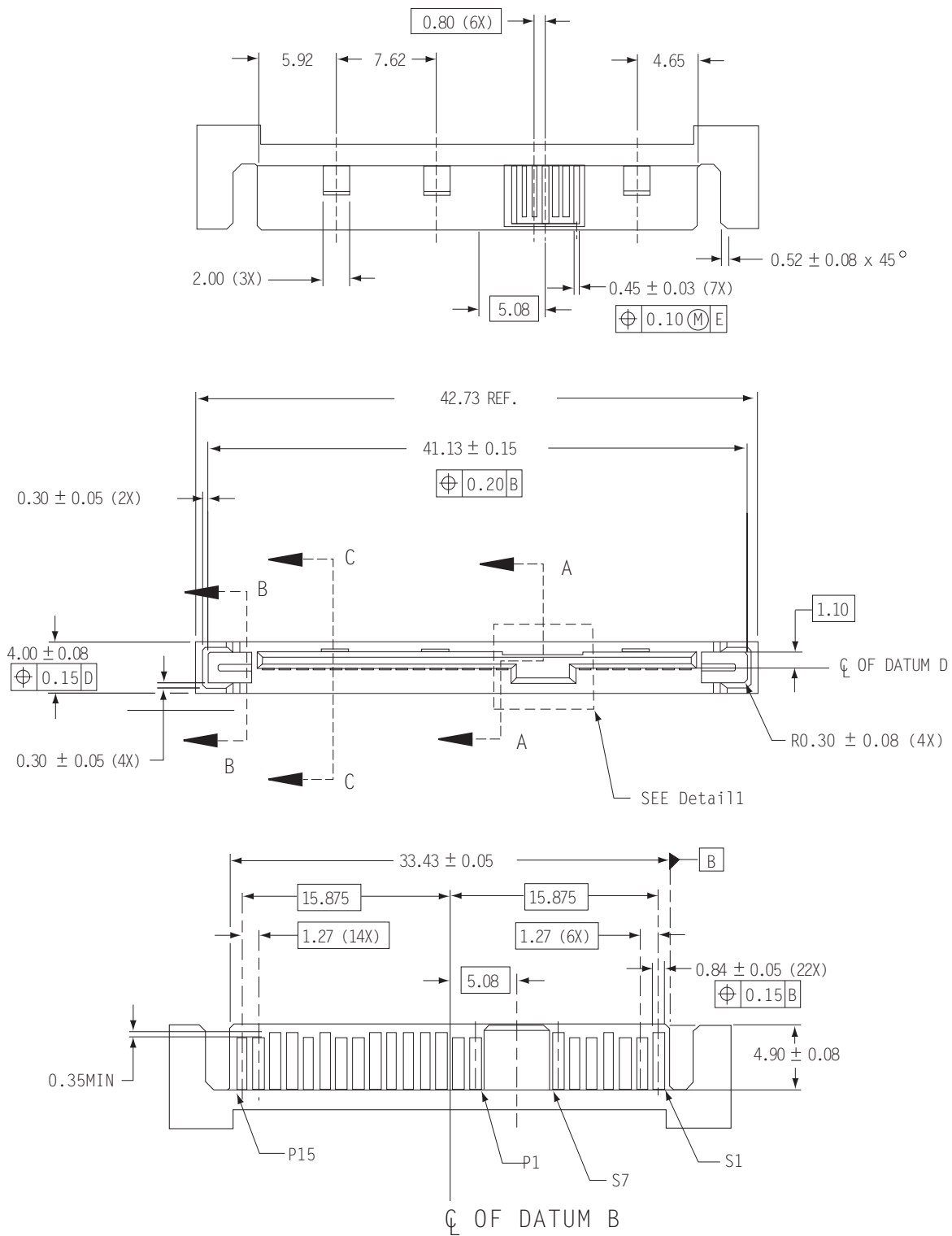


Figure 13. SAS connector dimensions

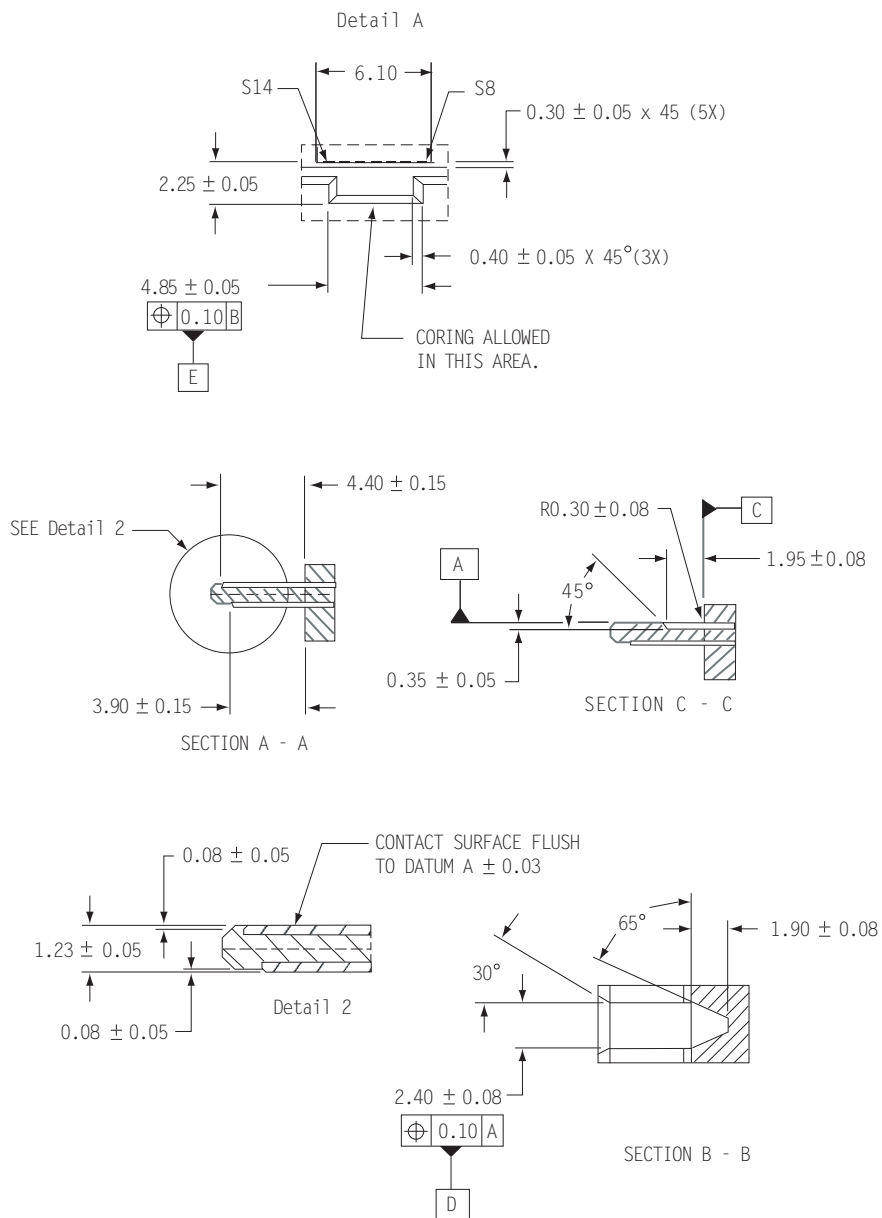


Figure 14. SAS connector dimensions

11.4.2 Physical characteristics

This section defines physical interface connector.

11.4.3 Connector requirements

The SAS connector on the drive complies with SFF-8482. Contact your preferred connector manufacturer for mating part information.

The SAS device connector is illustrated in Figures 13 and 14.

11.4.4 Electrical description

SAS drives use the device connector for:

- DC power
- SAS interface
- Activity LED

This connector is designed to either plug directly into a backpanel or accept cables.

11.4.5 Pin descriptions

This section provides a pin-out of the SAS device and a description of the functions provided by the pins.

Table 13 SAS pin descriptions

PIN	SIGNAL NAME	SIGNAL TYPE	PIN	SIGNAL NAME	SIGNAL TYPE
S1	Port A Ground		P1*	NC (reserved 3.3Volts)	
S2*	+Port A_in	Diff. input pair	P2*	NC (reserved 3.3Volts)	
S3*	-Port A_in		P3	NC (reserved 3.3Volts)	
S4	Port A Ground		P4	Ground	
S5*	-Port A_out	Diff output pair	P5	Ground	
S6*	+Port A_out		P6	Ground	
S7	Port A Ground		P7	5 Volts charge	
S8	Port B Ground		P8*	5 Volts	
S9*	+Port B_in	Diff. input pair	P9*	5 Volts	
S10*	-Port B_in		P10	Ground	
S11	Port A Ground		P11*	Ready LED	Open collector out
S12*	-Port B_out	Diff output pair	P12	Ground	
S13*	+Port B_out		P13	12 Volts charge	
S14	Port B Ground		P14*	12 Volts	
			P15*	12 Volts	

* - Short pin to support hot plugging

NC - No connection in the drive.

11.4.6 SAS transmitters and receivers

A typical SAS differential copper transmitter and receiver pair is shown in Figure 15. The receiver is AC coupling to eliminate ground shift noise.

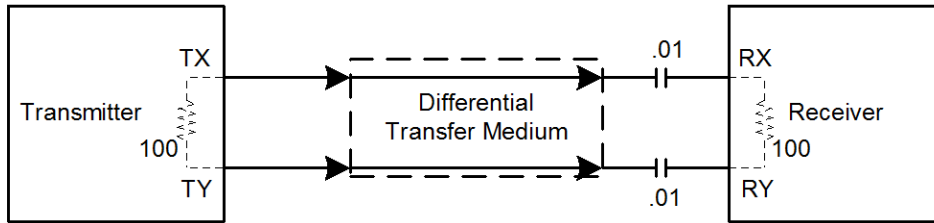


Figure 15. SAS transmitters and receivers

11.4.7 Power

The drive receives power (+5 volts and +12 volts) through the SAS device connector.

Three +12 volt pins provide power to the drive, 2 short and 1 long. The current return for the +12 volt power supply is through the common ground pins. The supply current and return current must be distributed as evenly as possible among the pins.

Three +5 volt pins provide power to the drive, 2 short and 1 long. The current return for the +5 volt power supply is through the common ground pins. The supply current and return current must be distributed as evenly as possible among the pins.

Current to the drive through the long power pins may be limited by the system to reduce inrush current to the drive during hot plugging.

11.5 SIGNAL CHARACTERISTICS

This section describes the electrical signal characteristics of the drive's input and output signals. See Table 13 for signal type and signal name information.

11.5.1 Ready LED Out

The Ready LED Out signal is driven by the drive as indicated in Table 14.

Table 14 Ready LED Out conditions

NORMAL COMMAND ACTIVITY	LED STATUS	
Ready LED Meaning bit mode page 19h	0	1
Spun down and no activity	Off	Off
Spun down and activity (command executing)	On	On
Spun up and no activity	On	Off
Spun up and activity (command executing)	Off	On
Spinning up or down	Blinks steadily (50% on and 50% off, 0.5 seconds on and off for 0.5 seconds)	
Format in progress	Toggles on/off	
Write Same command in progress	Toggles on/off	

The Ready LED Out signal is designed to pull down the cathode of an LED. The anode is attached to the proper +3.3 volt supply through an appropriate current limiting resistor. The LED and the current limiting resistor are external to the drive. See Table 15 for the output characteristics of the LED drive signals.

Table 15 LED drive signal

STATE	TEST CONDITION	OUTPUT VOLTAGE
LED off, high	$0\text{ V} \leq \text{VOH} \leq 3.6\text{ V}$	$-100\ \mu\text{A} < \text{I}_{\text{OH}} < 100\ \mu\text{A}$
LED on, low	$\text{I}_{\text{OL}} = 15\text{ mA}$	$0 \leq \text{VOL} \leq 0.225\text{ V}$

11.5.2 Differential signals

The drive SAS differential signals comply with the intra-enclosure (internal connector) requirements of the SAS standard. Table 16 defines the general interface characteristics.

Table 16 General interface characteristics

CHARACTERISTIC	UNITS	1.5 GBPS	3.0 GBPS	6.0 GBPS
Bit rate (nominal)	Mbaud	1,500	3,000	6,000
Unit interval (UI)(nominal)	ps	666.6	333.3	166.6
Impedance (nominal, differential)	ohm	100	100	100
Transmitter transients, maximum	V	± 1.2	± 1.2	± 1.2
Receiver transients, maximum	V	± 1.2	± 1.2	± 1.2

11.6 SAS-2 SPECIFICATION COMPLIANCE

Seagate SAS-2 drives are entirely compatible with the latest SAS-2 Specification (T10/1760-D) Revision 16.

The most important characteristic of the SAS-2 drive at 6 Gbps is that the receiver is capable of adapting the equalizer to optimize the receive margins. The SAS-2 drive has two types of equalizers:

1. A Decision Feedback Equalizer (DFE) which utilizes the standard SAS-2 training pattern transmitted during the SNW-3 training gap. The DFE circuit can derive an optimal equalization characteristic to compensate for many of the receive losses in the system.
2. A Feed Forward Equalizer (FFE) optimized to provide balanced receive margins over a range of channels bounded by the best and worst case channels as defined by the relevant ANSI standard.

11.7 ADDITIONAL INFORMATION

Please contact your Seagate representative for SAS electrical details, if required.

For more information about the Phy, Link, Transport, and Applications layers of the SAS interface, refer to the Seagate SAS Interface Manual, part number 100293071.

For more information about the SCSI commands used by Seagate SAS drives, refer to the Seagate SCSI Commands Reference Manual, part number 100293068.

Numerics

12 volt
 pins 51
 5 volt pins 51
 6 Gbps 52

A

abort task set function 38
 AC coupling 51
 AC power requirements 18
 ACA active status 47
 ACA active, faulted initiator status 47
 acoustics 28
 active LED Out signal 51
 actuator
 assembly design 5
 adaptive caching 47
 Admin SP 31
 AES-128 data encryption 31
 AFR 7
 air cleanliness 28
 air flow 36
 illustrated 37
 air inlet 36
 altitude 25
 ambient 24
 ambient temperature 36
 ANSI documents
 Serial Attached SCSI 4
 asynchronous event notification 47
 audible noise 3
 auto write and read reallocation
 programmable 6
 automatic contingent allegiance 47
 average idle current 18, 19, 20
 average rotational latency 8

B

Background Media Scan 35
 backpanel 50
 Band 0 32
 BandMasterX 31
 BMS 35
 buffer
 data 6
 space 10
 busy status 47

C

cache operation 10
 cache segments 10
 caching write data 11
 Canadian Department of Communications 3
 capacity
 unformatted 8
 CBC 31

check condition status 47
 chemical pollutants 28
 Cipher Block Chaining 31
 class B limit 3
 clear ACA function 38
 clear task set function 38
 commands supported 39
 condensation 25
 condition met/good status 47
 connector
 illustrated 50
 requirements 50
 continuous vibration 28
 cooling 36
 corrosive environment 28
 CRC
 error 12
 Cryptographic erase 32
 Current profiles 21
 customer service 17

D

DAR 35
 Data Bands 32
 data bands 31
 Data encryption 31
 Data Encryption Key 31
 data heads
 read/write 8
 data rate
 internal 8
 data transfer rate 9
 DC power 50
 requirements 18
 Decision Feedback Equalizer 52
 decrypt 31
 default MSID password 31
 defect and error management 33
 defects 33
 Deferred Auto-Reallocation 35
 deferred error handling 47
 DEK 31
 description 5
 DFE 52
 dimensions 29
 disk rotation speed 8
 drive 28
 drive characteristics 8
 Drive Locking 32
 drive mounting 29, 37
 drive select 50
 dual port support 38

E

electrical
 description of connector 50

- signal characteristics 51
- specifications 18
- electromagnetic compatibility 3
- electromagnetic susceptibility 29
- EMI requirements 3
- encryption engine 31
- encryption key 32
- environment 36
- environmental
 - limits 24
 - requirements 12
- environmental control 28
- EraseMaster 31
- error
 - management 33
 - rates 12
- errors 33

F

- FCC rules and regulations 3
- features 6
 - interface 38
- Federal Information Processing Standard 30
- feed forward equalizer 52
- FFE 52
- FIPS 30
- firmware 6
 - corruption 41
- firmware download port 32
- flawed sector reallocation 6
- Format command execution time 8
- function
 - complete, code 00 38
 - not supported, code 05 38
 - reject, code 04 38

G

- Global Data Band 32
- Good status 47
- gradient 24, 25
- ground shift noise 51
- grounding 37

H

- HDA 36, 37
- head and disk assembly. See HDA
- heads
 - read/write data 8
- heat removal 36
- heat source 36
- host equipment 37
- hot plugging the drive 13
- humidity 25
- humidity limits 24

I

- Idle Read After Write 35

- inquiry data 42
- installation 36
- interface
 - commands supported 39
 - error rate 12
 - errors 12
 - illustrated 47
 - physical 47
 - requirements 38
- intermediate/condition met/good status 47
- intermediate/good status 47
- internal data rate 8
- internal defects/errors 33
- internal drive characteristics 8
- IRAW 35

J

- jumpers 36

L

- latency
 - average rotational 8, 9
- Locking SP 31
- LockOnReset 32
- logical block address 10
- logical block reallocation scheme 6
- logical block size 6, 9
- logical segments 10

M

- maintenance 12
- Makers Secure ID 31
- maximum delayed motor start 18, 19, 20
- maximum start current 18, 19, 20
- media description 6
- Media Pre-Scan 35
- miscellaneous feature support
 - Adaptive caching 47
 - Asynchronous event notification 47
 - Automatic contingent allegiance 47
 - Deferred error handling 47
 - Parameter rounding 47
 - Queue tagging 47
 - Reporting actual retry count 47
 - Segmented caching 47
 - SMP = 1 in Mode Select command 47
 - Synchronized (locked) spindle operation 47
 - Zero latency read 47
- miscellaneous status support
 - ACA active 47
 - ACA active, faulted initiator 47
 - Busy 47
 - Check condition 47
 - Condition met/good 47
 - Good 47
 - Intermediate/condition met/good 47

- Intermediate/good 47
- Reservation conflict 47
- Task set full 47
- miscorrected media data 12
- Mode sense
 - data, table 42
- mounting 37
 - holes 37
 - orientations 36
- MSID 31
- N**
- noise
 - audible 3
- noise immunity 21
- non-operating 25, 26, 28
 - temperature 24
- non-operating vibration 28
- O**
- office environment 28
- operating 25, 26, 27
- option selection 50
- out-of-plane distortion 37
- P**
- package size 26
- package test specification 4
- packaged 26
- parameter rounding 47
- password 31
- passwords 31
- PCBA 37
- peak bits per inch 8
- peak operating current 18, 19, 20
- peak-to-peak measurements 21
- performance characteristics
 - detailed 8
 - general 9
- performance degradation 26
- performance highlights 6
- physical damage 28
- physical dimensions 29
- physical interface 47
- physical specifications 18
- pin descriptions 50
- power 51
 - dissipation 23
 - requirements, AC 18
 - requirements, DC 18
 - sequencing 21
- power distribution 3
- PowerCycle 32
- prefetch/multi-segmented cache control 9
- preventive maintenance 12
- protection of data at rest 31

- Q**
- queue tagging 47
- R**
- radio interference regulations 3
- Random number generator 31
- RCD bit 10
- read error rates 12, 33
- read/write data heads 8
- receivers 51
- recommended mounting 27
- Recoverable Errors 12
- recovered media data 12
- reference
 - documents 4
- relative humidity 25
- reliability 7
 - specifications 12
- reliability and service 12
- repair and return information 17
- reporting actual retry count 47
- reservation conflict status 47
- resonance 26
- return information 17
- RNG 31
- rotation speed 8
- S**
- safety 3
- SAS
 - interface 50
 - physical interface 47
 - task management functions 38
- SAS documents 4
- SAS Interface Manual 3, 4
- SCSI interface
 - commands supported 39
- Seagate Technology Support Services 1
- Secure ID 31
- security partitions 31
- Security Protocol In 31
- Security Protocol Out 31
- seek error
 - defined 12
 - rate 12
- seek performance characteristics 8
- seek time
 - average typical 8
 - full stroke typical 8
 - single track typical 8
- segmented caching 47
- self-encrypting drives 31
- Self-Monitoring Analysis and Reporting Technology 7, 13
- Serial Attached SCSI (SAS) Interface Manual 2
- shielding 3

- shipping 17
- shipping container 24
- shock 26
 - and vibration 26
- shock mount 37
- SID 31
- signal
 - characteristics 51
- single-unit shipping pack kit 7
- SMART 7, 13
- SMP = 1 in Mode Select command 47
- SNW-3 training gap 52
- spindle brake 6
- standards 3
- start/stop time 9
- Sulfur 28
- surface stiffness
 - allowable for non-flat surface 37
- switches 36
- synchronized spindle
 - operation 47
- system chassis 37

T

- task management functions 38
 - Abort task set 38
 - Clear ACA 38
 - Clear task set 38
 - terminate task 38
- task management response codes 38
 - Function complete 00 38
 - Function not supported 05 38
 - Function reject 04 38
- task set full status 47
- TCG 31
- temperature 24, 36
 - limits 24
 - non-operating 24
 - regulation 3
 - See also* cooling
- terminate task function 38
- terminators 36
- tracks per inch 8
- transmitters 51
- transporting the drive 17
- Trusted Computing Group 31

U

- unformatted 7
- Unrecoverable Errors 12
- unrecovered media data 12

V

- vibration 26, 27, 28

W

- warranty 17

Z

- zero latency read 47
- zone bit recording (ZBR) 6



Seagate Technology LLC

AMERICAS Seagate Technology LLC 10200 South De Anza Boulevard, Cupertino, California 95014, United States, 408-658-1000

ASIA/PACIFIC Seagate Singapore International Headquarters Pte. Ltd. 7000 Ang Mo Kio Avenue 5, Singapore 569877, 65-6485-3888

EUROPE, MIDDLE EAST AND AFRICA Seagate Technology SAS 16-18 rue du Dôme, 92100 Boulogne-Billancourt, France, 33 1-4186 10 00

*Publication Number: 100516226, Rev. F
December 2012*