



Product Manual

## Cheetah 15K.7 FC

**Standard models**

ST3600057FC

ST3450857FC

ST3300657FC

**Self-Encrypting Drive models**

ST3600957FC

ST3450757FC

ST3300557FC

**SED FIPS 140-2 models**

ST3600857FC

ST3450657FC

ST3300457FC

© 2012 Seagate Technology LLC. All rights reserved.

Publication number: 100516225, Rev. E December 2012

Seagate, Seagate Technology and the Wave logo are registered trademarks of Seagate Technology LLC in the United States and/or other countries. Cheetah and SeaTools are either trademarks or registered trademarks of Seagate Technology LLC or one of its affiliated companies in the United States and/or other countries. The FIPS logo is a certification mark of NIST, which does not imply product endorsement by NIST, the U.S., or Canadian governments. All other trademarks or registered trademarks are the property of their respective owners.

No part of this publication may be reproduced in any form without written permission of Seagate Technology LLC.  
Call 877-PUB-TEK1 (877-782-8351) to request permission.

When referring to drive capacity, one gigabyte, or GB, equals one billion bytes and one terabyte, or TB, equals one trillion bytes. Your computer's operating system may use a different standard of measurement and report a lower capacity. In addition, some of the listed capacity is used for formatting and other functions, and thus will not be available for data storage. Actual quantities will vary based on various factors, including file size, file format, features and application software. Actual data rates may vary depending on operating environment and other factors. The export or re-export of hardware or software containing encryption may be regulated by the U.S. Department of Commerce, Bureau of Industry and Security (for more information, visit [www.bis.doc.gov](http://www.bis.doc.gov)), and controlled for import and use outside of the U.S. Seagate reserves the right to change, without notice, product offerings or specifications.

# CONTENTS

---

<b>SEAGATE® TECHNOLOGY SUPPORT SERVICES</b> . . . . .	<b>1</b>
---	----------

---

<b>1.0 SCOPE</b> . . . . .	<b>2</b>
----------------------------	----------

---

<b>2.0 APPLICABLE STANDARDS AND REFERENCE DOCUMENTATION</b> . . . . .	<b>3</b>
2.1 STANDARDS . . . . .	3
2.1.1 Electromagnetic compatibility . . . . .	3
2.1.2 Electromagnetic compliance . . . . .	4
2.2 EUROPEAN UNION RESTRICTION OF HAZARDOUS SUBSTANCES (ROHS) . . . . .	4
2.3 REFERENCE DOCUMENTS . . . . .	5

---

<b>3.0 GENERAL DESCRIPTION</b> . . . . .	<b>6</b>
3.1 STANDARD FEATURES . . . . .	7
3.2 MEDIA DESCRIPTION . . . . .	8
3.3 PERFORMANCE . . . . .	8
3.4 RELIABILITY . . . . .	8
3.5 FORMATTED CAPACITIES . . . . .	8
3.5.1 Programmable drive capacity . . . . .	9
3.6 FACTORY-INSTALLED OPTIONS . . . . .	9
3.7 USER-INSTALLED ACCESSORIES . . . . .	9

---

<b>4.0 PERFORMANCE CHARACTERISTICS</b> . . . . .	<b>10</b>
4.1 INTERNAL DRIVE CHARACTERISTICS . . . . .	10
4.2 SEEK PERFORMANCE CHARACTERISTICS . . . . .	10
4.2.1 Access time . . . . .	10
4.2.2 Format command execution time (minutes) . . . . .	11
4.2.3 General performance characteristics . . . . .	11
4.3 START/STOP TIME . . . . .	11
4.4 PREFETCH/MULTI-SEGMENTED CACHE CONTROL . . . . .	12
4.5 CACHE OPERATION . . . . .	12
4.5.1 Caching write data . . . . .	13
4.5.2 Prefetch operation . . . . .	13

---

<b>5.0 RELIABILITY SPECIFICATIONS</b> . . . . .	<b>14</b>
5.1 ERROR RATES . . . . .	14
5.1.1 Recoverable Errors . . . . .	14
5.1.2 Unrecoverable Errors . . . . .	14
5.1.3 Seek errors . . . . .	14
5.1.4 Interface errors . . . . .	14
5.2 RELIABILITY AND SERVICE . . . . .	15
5.2.1 Annualized Failure Rate (AFR) and Mean Time Between Failures (MTBF) . . . . .	15
5.2.2 Preventive maintenance . . . . .	15
5.2.3 Hot plugging the drive . . . . .	15
5.2.4 S.M.A.R.T. . . . .	15
5.2.5 Thermal monitor . . . . .	17
5.2.6 Drive Self Test (DST) . . . . .	17
5.2.7 Product warranty . . . . .	19

---

<b>6.0 PHYSICAL/ELECTRICAL SPECIFICATIONS</b> . . . . .	<b>20</b>
6.1 AC POWER REQUIREMENTS . . . . .	20
6.2 DC POWER REQUIREMENTS . . . . .	20
6.2.1 Conducted noise immunity . . . . .	21

# CONTENTS

6.2.2	Power sequencing . . . . .	22
6.2.3	Current profiles . . . . .	22
6.3	POWER DISSIPATION . . . . .	24
6.4	ENVIRONMENTAL LIMITS . . . . .	26
6.4.1	Temperature . . . . .	26
6.4.2	Relative humidity . . . . .	26
6.4.3	Effective altitude (sea level) . . . . .	26
6.4.4	Shock and vibration . . . . .	27
6.4.5	Acoustics . . . . .	29
6.4.6	Air cleanliness . . . . .	29
6.4.7	Corrosive environment . . . . .	29
6.4.8	Electromagnetic susceptibility . . . . .	29
6.5	MECHANICAL SPECIFICATIONS . . . . .	30
<hr/>		
<b>7.0</b>	<b>ABOUT FIPS . . . . .</b>	<b>31</b>
<hr/>		
<b>8.0</b>	<b>ABOUT SELF-ENCRYPTING DRIVES . . . . .</b>	<b>32</b>
8.1	DATA ENCRYPTION . . . . .	32
8.2	CONTROLLED ACCESS . . . . .	32
8.2.1	Admin SP . . . . .	32
8.2.2	Locking SP . . . . .	32
8.2.3	Default password . . . . .	32
8.3	RANDOM NUMBER GENERATOR (RNG) . . . . .	32
8.4	DRIVE LOCKING . . . . .	33
8.5	DATA BANDS . . . . .	33
8.6	CRYPTOGRAPHIC ERASE . . . . .	33
8.7	AUTHENTICATED FIRMWARE DOWNLOAD . . . . .	33
8.8	POWER REQUIREMENTS . . . . .	33
8.9	SUPPORTED COMMANDS . . . . .	33
<hr/>		
<b>9.0</b>	<b>DEFECT AND ERROR MANAGEMENT . . . . .</b>	<b>34</b>
9.1	DRIVE INTERNAL DEFECTS/ERRORS . . . . .	34
9.2	DRIVE ERROR RECOVERY PROCEDURES . . . . .	34
9.3	FC-AL SYSTEM ERRORS . . . . .	35
9.4	BACKGROUND MEDIA SCAN . . . . .	36
9.5	MEDIA PRE-SCAN . . . . .	36
9.6	DEFERRED AUTO-REALLOCATION . . . . .	36
9.7	IDLE READ AFTER WRITE . . . . .	36
<hr/>		
<b>10.0</b>	<b>INSTALLATION . . . . .</b>	<b>37</b>
10.1	DRIVE ID/OPTION SELECTION . . . . .	37
10.2	DRIVE ORIENTATION . . . . .	37
10.3	COOLING . . . . .	37
10.4	DRIVE MOUNTING . . . . .	38
10.5	GROUNDING . . . . .	38
<hr/>		
<b>11.0</b>	<b>INTERFACE REQUIREMENTS . . . . .</b>	<b>39</b>
11.1	FC-AL FEATURES . . . . .	39
11.1.1	Fibre Channel link service frames . . . . .	39
11.1.2	Fibre Channel task management functions . . . . .	40
11.1.3	Fibre Channel task management responses . . . . .	40
11.1.4	Fibre Channel port login . . . . .	41
11.1.5	Fibre Channel port login accept . . . . .	42
11.1.6	Fibre Channel Process Login . . . . .	42

# CONTENTS

11.1.7	Fibre Channel Process Login Accept . . . . .	43
11.1.8	Fibre Channel fabric login . . . . .	43
11.1.9	Fibre Channel fabric accept login. . . . .	44
11.1.10	Fibre Channel Arbitrated Loop options . . . . .	45
11.2	DUAL PORT SUPPORT. . . . .	45
11.3	SCSI COMMANDS SUPPORTED . . . . .	46
11.3.1	Inquiry data . . . . .	50
11.3.2	Mode Sense data . . . . .	50
11.4	MISCELLANEOUS OPERATING FEATURES AND CONDITIONS . . . . .	55
11.5	FC-AL PHYSICAL INTERFACE . . . . .	56
11.5.1	Physical characteristics . . . . .	56
11.5.2	Connector requirements . . . . .	57
11.5.3	Electrical description . . . . .	57
11.5.4	Pin descriptions . . . . .	58
11.5.5	FC-AL transmitters and receivers. . . . .	59
11.5.6	Power. . . . .	59
11.5.7	Fault LED Out . . . . .	59
11.5.8	Active LED Out. . . . .	60
11.5.9	Enable port bypass signals . . . . .	60
11.5.10	Motor start controls . . . . .	61
11.5.11	SEL_6 through SEL_0 ID lines . . . . .	61
11.5.12	Device control codes . . . . .	63
11.6	SIGNAL CHARACTERISTICS . . . . .	63
11.6.1	TTL input characteristics . . . . .	63
11.6.2	LED driver signals . . . . .	64
11.6.3	FC Differential output . . . . .	64
11.6.4	FC Differential input . . . . .	65

# Seagate® Technology Support Services

For information regarding online support and services, visit [http://www.seagate.com/www/en-us/about/contact\\_us/](http://www.seagate.com/www/en-us/about/contact_us/)

Available services include:

- Presales & Technical support
- Global Support Services telephone numbers & business hours
- Authorized Service Centers

For information regarding Warranty Support, visit <http://www.seagate.com/support/warranty-and-returns/>

For information regarding data recovery services, visit <http://www.seagate.com/services-software/data-recovery-services/>

For Seagate OEM and Distribution partner portal, visit <https://direct.seagate.com/portal/system>

For Seagate reseller portal, visit <http://spp.seagate.com>

## 1.0 SCOPE

This manual describes Seagate Technology® LLC, Cheetah® 15K.7 FC (Fibre Channel) disk drives.

Cheetah 15K.7 FC drives support the Fibre Channel Arbitrated Loop and SCSI Fibre Channel Protocol specifications to the extent described in this manual. The *Fibre Channel Interface Manual* (part number 100293070) describes the general Fibre Channel Arbitrated Loop characteristics of this and other Seagate Fibre Channel drives. The Self-Encrypting Drive (SED) Users Guide, part number 100515636 describes the interface, general operation and security features available on SED drives.

From this point on in this product manual, the reference to Cheetah 15K.7 FC models is referred to as “the drive” unless references to individuals models are necessary.

Unless otherwise stated, the information in this manual applies to standard and Self-Encrypting Drive models.

MODEL NUMBER	CAPACITY	SELF-ENCRYPTING DRIVE (SED)	FIPS 140-2 LEVEL 2 CERTIFIED
ST3600057FC	600 GB	No	No
ST3450857FC	450 GB	No	No
ST3300657FC	300 GB	No	No
ST3600957FC	600 GB	Yes	No
ST3600857FC	600 GB	Yes	Yes
ST3450757FC	450 GB	Yes	No
ST3450657FC	450 GB	Yes	Yes
ST3300557FC	300 GB	Yes	No
ST3300457FC	300 GB	Yes	Yes

**Note.** Previous generations of Seagate Self-Encrypting Drive models were called Full Disk Encryption (FDE) models before a differentiation between drive-based encryption and other forms of encryption was necessary.

**Note.** The Self-Encrypting Drive models indicated on the cover of this product manual have provisions for “Security of Data at Rest” based on the standards defined by the Trusted Computing Group (see [www.trustedcomputing-group.org](http://www.trustedcomputing-group.org)).

For more information on FIPS 140-2 Level 2 certification see Section 7.0 on page 31.

For product certification status visit - <http://csrc.nist.gov/groups/STM/cmvp/documents/140-1/1401vend.htm>.

## **2.0 APPLICABLE STANDARDS AND REFERENCE DOCUMENTATION**

The drive has been developed as a system peripheral to the highest standards of design and construction. The drive depends upon its host equipment to provide adequate power and environment in order to achieve optimum performance and compliance with applicable industry and governmental regulations. Special attention must be given in the areas of safety, power distribution, shielding, audible noise control, and temperature regulation. In particular, the drive must be securely mounted in order to guarantee the specified performance characteristics. Mounting by bottom holes must meet the requirements of Section 10.4.

### **2.1 STANDARDS**

The Cheetah 15K.7 FC family complies with Seagate standards as noted in the appropriate sections of this manual and the Seagate *Fibre Channel Interface Manual*, part number 100293070.

The drives are recognized in accordance with UL 60950-1 and CSA 60950-1 as tested by UL and EN60950-1 as tested by TUV.

The security features of Cheetah 15K.7 FC SED models are based on the “TCG Storage Architecture Core Specification” and the “TCG Storage Workgroup Security Subsystem Class: Enterprise\_A” specification with additional vendor-unique features as noted in this product manual.

#### **2.1.1 Electromagnetic compatibility**

The drive, as delivered, is designed for system integration and installation into a suitable enclosure prior to use. As such the drive is supplied as a subassembly and is not subject to Subpart B of Part 15 of the FCC Rules and Regulations nor the Radio Interference Regulations of the Canadian Department of Communications.

The design characteristics of the drive serve to minimize radiation when installed in an enclosure that provides reasonable shielding. As such, the drive is capable of meeting the Class B limits of the FCC Rules and Regulations of the Canadian Department of Communications when properly packaged. However, it is the user’s responsibility to assure that the drive meets the appropriate EMI requirements in their system. Shielded I/O cables may be required if the enclosure does not provide adequate shielding. If the I/O cables are external to the enclosure, shielded cables should be used, with the shields grounded to the enclosure and to the host controller.

##### **2.1.1.1 Electromagnetic susceptibility**

As a component assembly, the drive is not required to meet any susceptibility performance requirements. It is the responsibility of those integrating the drive within their systems to perform those tests required and design their system to ensure that equipment operating in the same system as the drive or external to the system does not adversely affect the performance of the drive. See Table 2, DC power requirements.



### **2.1.2 Electromagnetic compliance**

Seagate uses an independent laboratory to confirm compliance with the directives/standards for CE Marking and C-Tick Marking. The drive was tested in a representative system for typical applications. The selected system represents the most popular characteristics for test platforms. The system configurations include:

- Typical current use microprocessor
- Keyboard
- Monitor/display
- Printer
- Mouse

Although the test system with this Seagate model complies with the directives/standards, we cannot guarantee that all systems will comply. The computer manufacturer or system integrator shall confirm EMC compliance and provide the appropriate marking for their product.

#### **Electromagnetic compliance for the European Union**

If this model has the CE Marking it complies with the European Union requirements of the Electromagnetic Compatibility Directive 89/336/EEC of 03 May 1989 as amended by Directive 92/31/EEC of 28 April 1992 and Directive 93/68/EEC of 22 July 1993.

#### **Australian C-Tick**

If this model has the C-Tick Marking it complies with the Australia/New Zealand Standard AS/NZS3548 1995 and meets the Electromagnetic Compatibility (EMC) Framework requirements of Australia's Spectrum Management Agency (SMA).

#### **Korean KCC**

If this model has the Korean Communications Commission (KCC) logo, it complies with paragraph 1 of Article 11 of the Electromagnetic Compatibility (EMC) Control Regulation and meets the Electromagnetic Compatibility Framework requirements of the Radio Research Laboratory (RRL) Ministry of Information and Communication Republic of Korea.

#### **Taiwanese BSMI**

If this model has two Chinese words meaning "EMC certification" followed by an eight digit identification number, as a Marking, it complies with Chinese National Standard (CNS) 13438 and meets the Electromagnetic Compatibility (EMC) Framework requirements of the Taiwanese Bureau of Standards, Metrology, and Inspection (BSMI).

## **2.2 EUROPEAN UNION RESTRICTION OF HAZARDOUS SUBSTANCES (RoHS)**

The European Union Restriction of Hazardous Substances (RoHS) Directive restricts the presence of chemical substances, including Lead (Pb), in electronic products effective July 2006.

A number of parts and materials in Seagate products are procured from external suppliers. We rely on the representations of our suppliers regarding the presence of RoHS substances in these parts and materials. Our supplier contracts require compliance with our chemical substance restrictions, and our suppliers document their compliance with our requirements by providing material content declarations for all parts and materials for the disk drives documented in this publication. Current supplier declarations include disclosure of the inclusion of any RoHS-regulated substance in such parts or materials.

Seagate also has internal systems in place to ensure ongoing compliance with the RoHS Directive and all laws and regulations which restrict chemical content in electronic products. These systems include standard operating procedures that ensure that restricted substances are not utilized in our manufacturing operations, laboratory analytical validation testing, and an internal auditing process to ensure that all standard operating procedures are complied with.

## 2.3 REFERENCE DOCUMENTS

### ANSI Fibre Channel Documents

X3.230-1994	FC Physical and Signaling Interface (FC-PH)
X3.297.1997	FC-PH-2 Fibre Channel Physical and Signaling Interface-2
X3.303.1998	FC-PH-3 Fibre Channel Physical and Signaling Interface-3
X3.272-1996	FC Arbitrated Loop (FC-AL)
X3.269-1996	Fibre Channel Protocol for SCSI (FCP)
NCITS TR-19	Private Loop SCSI Direct Attach (PLDA)
NCITS TR-20	Fabric Loop Attachment (FC-FLA)
SFF-8045	Specification for 40-pin SCA-2 Connector with Parallel Selection
SFF-8067	Specification for 40-pin SCA-2 Connector with Bidirectional Enclosure Services Interface

### ANSI Small Computer System Interface (SCSI) Documents

X3.131-1994	(SCSI-2)
X3.270-1996	(SCSI-3) Architecture Model
NCITS 305-199X	(SCSI-3) Enclosure Services

### Trusted Computing Group (TCG) Documents (apply to SED models only)

TCG Storage Architecture Core Specification, Rev. 1.0  
TCG Storage Security Class Enterprise Specification, Rev. 1.0

### Self-Encrypting Drives Users Guide

Seagate part number: 100515636

### *Specification for Acoustic Test Requirement and Procedures*

Seagate part number: 30553-001

### Package Test Specification

Seagate P/N 30190-001 (under 100 lb.)

### Package Test Specification

Seagate P/N 30191-001 (over 100 lb.)

In case of conflict between this document and any referenced document, this document takes precedence.

### 3.0 GENERAL DESCRIPTION

Cheetah 15K.7 FC drives provide high performance, high capacity data storage for a variety of systems including engineering workstations, network servers, mainframes, and supercomputers. Cheetah 15K.7 FC drives support 4-Gbit Fibre Channel.

Cheetah 15K.7 FC drives support the Fibre Channel Arbitrated Loop (FC-AL) and SCSI Fibre Channel Protocol as described in the ANSI specifications, this document, and the *Fibre Channel Interface Manual* which describes the general interface characteristics of this drive. Cheetah 15K.7 FC drives are classified as intelligent peripherals and provide level 2 conformance (highest level) with the ANSI SCSI-1 standard.

Cheetah 15K.7 FC SED models have provisions for “Security of Data at Rest” based on the standards defined by the Trusted Computing Group (see [www.trustedcomputinggroup.org](http://www.trustedcomputinggroup.org)).

**Note.** Never disassemble the HDA and do not attempt to service items in the sealed enclosure (heads, media, actuator, etc.) as this requires special facilities. The drive does not contain user-replaceable parts. Opening the HDA for any reason voids your warranty.

Cheetah 15K.7 FC drives use a dedicated landing zone at the innermost radius of the media to eliminate the possibility of destroying or degrading data by landing in the data zone. The heads automatically go to the landing zone when power is removed from the drive.

An automatic shipping lock prevents potential damage to the heads and discs that results from movement during shipping and handling. The shipping lock disengages and the head load process begins when power is applied to the drive.

The drives also use a high-performance actuator assembly with a low-inertia, balanced, patented, straight arm design that provides excellent performance with minimal power dissipation.

### 3.1 STANDARD FEATURES

Cheetah 15K.7 FC drives have the following standard features:

- 4-Gbit Fibre Channel interface
- Integrated dual port FC-AL controller
- Concurrent dual port transfers
- Support for FC arbitrated loop, private and public attachment
- Differential copper FC drivers and receivers
- Downloadable firmware using the FC-AL interface
- Supports SCSI enclosure services via interface connector
- 128-deep task set (queue)
- Supports up to 32 initiators
- Drive selection ID and configuration options are set on the FC-AL backpanel or through interface commands. Jumpers are not used on the drive.
- Supports SCSI Enclosure Services through the interface connector
- Fibre Channel worldwide name uniquely identifies the drive and each port
- User-selectable logical block size (512, 520, 524, or 528 bytes per logical block)
- Selectable frame sizes from 256 to 2,112 bytes
- Industry standard 3.5-inch low profile form factor dimensions
- Programmable logical block reallocation scheme
- Flawed logical block reallocation at format time
- Programmable auto write and read reallocation
- Reed-Solomon error correction code
- Sealed head and disk assembly (HDA)
- No preventive maintenance or adjustments required
- Dedicated head landing zone
- Automatic shipping lock
- Embedded Grey Code track address to eliminate seek errors
- Self-diagnostics performed at power on
- Zone bit recording (ZBR)
- Vertical, horizontal, or top down mounting
- Dynamic spindle brake
- 16,384 Kbyte data buffer (see Section 4.5)
- Embedded servo design
- Reallocation of defects on command (Post Format)
- Fibre Channel interface transports SCSI protocol

**Cheetah 15K.7 FC SED models have the following additional features :**

- Automatic data encryption/decryption
- Controlled access
- Random number generator
- Drive locking
- 16 independent data bands
- Cryptographic erase of user data for a drive that will be repurposed or scrapped
- Authenticated firmware download

## 3.2 MEDIA DESCRIPTION

The media used on the drive has an aluminum substrate coated with a thin film magnetic material, overcoated with a proprietary protective layer for improved durability and environmental protection.

## 3.3 PERFORMANCE

- Programmable multi-segmentable cache buffer
- 400 Mbytes/sec maximum instantaneous data transfers per port
- 15k RPM spindle; average latency = 2.0 msec
- Command queuing of up to 128 commands
- Background processing of queue
- Supports start and stop commands (spindle stops spinning)
- Adaptive seek velocity; improved seek performance

**Note.** There is no significant performance difference between Self-Encrypting Drive and standard (non-Self-Encrypting Drive) models

## 3.4 RELIABILITY

- Annualized Failure Rate (AFR) of 0.55%
- Increased LSI circuitry integration
- Self-Monitoring Analysis and Reporting Technology (S.M.A.R.T.)
- Dithering
- 5-year warranty

## 3.5 FORMATTED CAPACITIES

Standard OEM models are formatted to 512 bytes per block. The block size is selectable at format time and must be one of the supported sizes listed in the table below.

Seagate designs specify capacity points at certain block sizes that Seagate guarantees current and future products will meet. We recommend customers use this capacity in their project planning, as it ensures a stable operating point with backward and forward compatibility from generation to generation. The current guaranteed operating points for this product are:

**Table 1:**

SECTOR SIZE	ST3600057FC ST3600957FC ST3600857FC		ST3450857FC ST3450757FC ST3450657FC		ST3300657FC ST3300557FC ST3300457FC	
	DECIMAL	HEX	DECIMAL	HEX	DECIMAL	HEX
512	1,172,123,568	45DD2FB0	879,097,968	3465F870	585,937,500	22ECB25C
520	1,147,307,694	446286AE	860,480,771	3349E503	573,653,848	22314358
524	1,132,015,600	43792FF0	849,011,700	329AE3F4	566,007,800	21BC97F8
528	1,115,749,560	4280FCB8	836,812,167	31E0BD87	557,874,778	21407E5A

Seagate drives also may be used at the maximum available capacity at a given block size, but the excess capacity above the guaranteed level will vary between other drive families and from generation to generation, depending on how each block size actually formats out for zone frequencies and splits over servo bursts. This added capacity potential may range from 0.1 to 1.3 percent above the guaranteed capacities listed above. Using the drives in this manner gives the absolute maximum capacity potential, but the user must determine if the extra capacity potential is useful, or whether their assurance of backward and forward compatibility takes precedence.

### 3.5.1 Programmable drive capacity

Using the Mode Select command, the drive can change its capacity to something less than maximum. See the Mode Select Parameter List table in the *SCSI Commands Reference Manual*. Refer to the Parameter list block descriptor number of blocks field. A value of zero in the number of blocks field indicates that the drive shall not change the capacity it is currently formatted to have. A number in the number of blocks field that is less than the maximum number of LBAs changes the total drive capacity to the value in the block descriptor number of blocks field. A value greater than the maximum number of LBAs is rounded down to the maximum capacity.

## 3.6 FACTORY-INSTALLED OPTIONS

You may order the following items which are incorporated at the manufacturing facility during production or packaged before shipping. Some of the options available are (not an exhaustive list of possible options):

- Other capacities can be ordered depending on sparing scheme and sector size requested.
- Single-unit shipping pack. The drive is normally shipped in bulk packaging to provide maximum protection against transit damage. Units shipped individually require additional protection as provided by the single unit shipping pack. Users planning single unit distribution should specify this option.
- The *Safety and Regulatory Agency Specifications*, part number 75789512, is usually included with each standard OEM drive shipped, but extra copies may be ordered.

## 3.7 USER-INSTALLED ACCESSORIES

The following accessories are available. All kits may be installed in the field.

- Evaluation kit, part number 73473641.  
This kit provides an adapter card ("T-card") to allow cable connections for two FC ports and DC power.
- Single-unit shipping pack.

## 4.0 PERFORMANCE CHARACTERISTICS

This section provides detailed information concerning performance-related characteristics and features of Cheetah 15K.7 FC drives.

### 4.1 INTERNAL DRIVE CHARACTERISTICS

	ST3600057FC	ST3450857FC	ST3300657FC	
	ST3600957FC	ST3450757FC	ST3300557FC	
	ST3600857FC	ST3450657FC	ST3300457FC	
Drive capacity	600	450	300	Gbytes (formatted, rounded off value)*
Read/write data heads	8	6	4	
Tracks per inch	165,000	165,000	165,000	TPI
Peak bits per inch	1,361	1,361	1,361	KBPI
Areal Density	225	225	225	Gbits/inch <sup>2</sup>
Internal data rate	1.49 - 2.37	1.49 - 2.37	1.49 - 2.37	Gbits/sec (max)
disk rotation speed	15k	15k	15k	RPM
Avg rotational latency	2.0	2.0	2.0	msec

\*One Gbyte equals one billion bytes when referring to hard drive capacity. Accessible capacity may vary depending on operating environment and formatting.

### 4.2 SEEK PERFORMANCE CHARACTERISTICS

See Section 11.5, "FC-AL physical interface" on page 56 and the *Fibre Channel Interface Manual* (part number 77767496) for additional timing details.

#### 4.2.1 Access time

		NOT INCLUDING CONTROLLER OVERHEAD <sup>1,2</sup> (MSEC)	
		READ	WRITE
Average	Typical	3.4	3.9
Single track	Typical	0.2	0.44
Full stroke	Typical	6.6	7.4

1. Typical access times are measured under nominal conditions of temperature, voltage, and horizontal orientation as measured on a representative sample of drives.
2. Access to data = **access time** + latency time.

#### 4.2.2 Format command execution time (minutes)

When changing sector sizes, the format times shown below may need to be increased by 30 minutes.

	<b>ST3600057FC</b>	<b>ST3450857FC</b>	<b>ST3300657FC</b>
Maximum (with verify)	119	88	58
Maximum (without verify)	60	44	29

**Note.** There is approximately a 1.5 increase in time to format a SED drive versus a non-SED drive of the same capacity.

#### 4.2.3 General performance characteristics

Sustainable disk transfer rate\*:

Minimum	122 Mbytes/sec (typical)
Maximum	204 Mbytes/sec (typical)

Fibre Channel Interface maximum instantaneous transfer rate 400 Mbytes/sec\* per port

Logical block sizes

Default is 512-byte data blocks  
Sector sizes variable to 512, 520, 524 and 528 bytes.

Read/write consecutive sectors on a track Yes

Flaw reallocation performance impact (for flaws reallocated at format time using the spare sectors per sparing zone reallocation scheme.) Negligible

Average rotational latency 2.0 msec

\*Assumes no errors and no relocated logical blocks.  
Rate measured from the start of the first logical block transfer to or from the host.  
1MB/sec = 1,000,000 bytes/sec

#### 4.3 START/STOP TIME

If the Motor Start option is disabled, the drive becomes ready within 20 seconds after DC power is applied. If a recoverable error condition is detected during the start sequence, the drive executes a recovery procedure and the time to become ready may exceed 20 seconds. During spin up to ready time, the drive responds to some commands over the FC interface in less than 3 seconds after application of power. Stop time is 30 seconds (maximum) from removal of DC power.

If the Motor Start option is enabled, the internal controller accepts the commands listed in the *Fibre Channel Interface Manual* less than 3 seconds after DC power has been applied. After the Motor Start command has been received, the drive becomes ready for normal operations within 20 seconds (excluding the error recovery procedure). The Motor Start command can also be used to command the drive to stop the spindle.

There is no power control switch on the drive.



## 4.4 PREFETCH/MULTI-SEGMENTED CACHE CONTROL

The drive provides a prefetch (read look-ahead) and multi-segmented cache control algorithms that in many cases can enhance system performance. Cache refers to the drive buffer storage space when it is used in cache operations. To select this feature, the host sends the Mode Select command with the proper values in the applicable bytes in page 08h. Prefetch and cache operations are independent features from the standpoint that each is enabled and disabled independently using the Mode Select command; however, in actual operation, the prefetch feature overlaps cache operation somewhat as described in sections 4.5.1 and 4.5.2.

All default cache and prefetch mode parameter values (Mode Page 08h) for standard OEM versions of this drive family are given in Table 18.

## 4.5 CACHE OPERATION

**Note.** Refer to the *Fibre Channel Interface Manual* for more detail concerning the cache bits.

Of the 16 Mbytes physical buffer space in the drive, approximately 13,000 kbytes can be used as a cache. The buffer is divided into logical segments from which data is read and to which data is written.

The drive keeps track of the logical block addresses of the data stored in each segment of the buffer. If the cache is enabled (see RCD bit in the *FC Interface Manual*), data requested by the host with a read command is retrieved from the buffer, if possible, before any disk access is initiated. If cache operation is not enabled, the buffer is still used, but only as circular buffer segments during disk medium read operations (disregarding Prefetch operation for the moment). That is, the drive does not check in the buffer segments for the requested read data, but goes directly to the medium to retrieve it. The retrieved data merely passes through some buffer segment on the way to the host. All data transfers to the host are in accordance with buffer-full ratio rules. See the explanation provided with the information about Mode Page 02h (disconnect/reconnect control) in the *Fibre Channel Interface Manual*.

The following is a simplified description of the prefetch/cache operation:

**Case A**—read command is received and all of the requested logical blocks are already in the cache:

1. Drive transfers the requested logical blocks to the initiator.

**Case B**—A Read command requests data, and at least one requested logical block is not in any segment of the cache:

1. The drive fetches the requested logical blocks from the disk and transfers them into a segment, and then from there to the host in accordance with the Mode Select Disconnect/Reconnect parameters, page 02h.
2. If the prefetch feature is enabled, refer to section 4.5.2 for operation from this point.

Each cache segment is actually a self-contained circular buffer whose length is an integer number of logical blocks. The drive dynamically creates and removes segments based on the workload. The wrap-around capability of the individual segments greatly enhances the cache's overall performance.

**Note.** The size of each segment is not reported by Mode Sense command page 08h, bytes 14 and 15. The value 0XFFFF is always reported regardless of the actual size of the segment. Sending a size specification using the Mode Select command (bytes 14 and 15) does not set up a new segment size. If the STRICT bit in Mode page 00h (byte 2, bit 1) is set to one, the drive responds as it does for any attempt to change an unchangeable parameter.

### 4.5.1 Caching write data

Write caching is a write operation by the drive that makes use of a drive buffer storage area where the data to be written to the medium is stored while the drive performs the Write command.

If read caching is enabled (RCD=0), then data written to the medium is retained in the cache to be made available for future read cache hits. The same buffer space and segmentation is used as set up for read functions. The buffer segmentation scheme is set up or changed independently, having nothing to do with the state of RCD. When a write command is issued, if RCD=0, the cache is first checked to see if any logical blocks that are to be written are already stored in the cache from a previous read or write command. If there are, the respective cache segments are cleared. The new data is cached for subsequent Read commands.

If the number of write data logical blocks exceed the size of the segment being written into, when the end of the segment is reached, the data is written into the beginning of the same cache segment, overwriting the data that was written there at the beginning of the operation; however, the drive does not overwrite data that has not yet been written to the medium.

If write caching is enabled (WCE=1), then the drive may return Good status on a write command after the data has been transferred into the cache, but before the data has been written to the medium. If an error occurs while writing the data to the medium, and Good status has already been returned, a deferred error will be generated.

The Synchronize Cache command may be used to force the drive to write all cached write data to the medium. Upon completion of a Synchronize Cache command, all data received from previous write commands will have been written to the medium.

Table 18 shows the mode default settings for the drive.

### 4.5.2 Prefetch operation

If the Prefetch feature is enabled, data in contiguous logical blocks on the disk immediately beyond that which was requested by a Read command are retrieved and stored in the buffer for immediate transfer from the buffer to the host on subsequent Read commands that request those logical blocks (this is true even if cache operation is disabled). Though the prefetch operation uses the buffer as a cache, finding the requested data in the buffer is a prefetch hit, not a cache operation hit.

To enable Prefetch, use Mode Select page 08h, byte 12, bit 5 (Disable Read Ahead - DRA bit). DRA bit = 0 enables prefetch.

The drive does not use the Max Prefetch field (bytes 8 and 9) or the Prefetch Ceiling field (bytes 10 and 11).

When prefetch (read look-ahead) is enabled (enabled by DRA = 0), the drive enables prefetch of contiguous blocks from the disk when it senses that a prefetch hit will likely occur. The drive disables prefetch when it decides that a prefetch hit is not likely to occur.

## 5.0 RELIABILITY SPECIFICATIONS

The following reliability specifications assume correct host and drive operational interface, including all interface timings, power supply voltages, environmental requirements and drive mounting constraints.

Seek error rate:	Less than 10 errors in $10^8$ seeks
Read Error Rates	
Recovered Data	Less than 10 errors in $10^{12}$ bits transferred (OEM default settings)
Unrecovered Data	Less than 1 sector in $10^{16}$ bits transferred
Miscorrected Data	Less than 1 sector in $10^{21}$ bits transferred
Interface error rate:	Less than 1 error in $10^{12}$ bits transferred with minimum receive eye. Less than 1 error in $10^{14}$ bits transferred with typical receive eye. See Section 11.6.4, "FC Differential input." on page 65
Annualized Failure Rate (AFR):	0.55%
Preventive maintenance:	None required

### 5.1 ERROR RATES

The error rates stated in this manual assume the following:

- The drive is operated in accordance with this manual using DC power as defined in paragraph 6.2, "DC power requirements."
- Errors caused by host system failures are excluded from error rate computations.
- Assume random data.
- Default OEM error recovery settings are applied. This includes AWRE, ARRE, full read retries, full write retries and full retry time.
- Error rate specified with automatic retries and data correction with ECC enabled and all flaws reallocated.

#### 5.1.1 Recoverable Errors

Recoverable errors are those detected and corrected by the drive, and do not require user intervention.

Recoverable Data errors use retries and correction. Application of ECC on-the-fly correction alone is not considered a Recovered Data error.

Recovered Data error rate is determined using read bits transferred for recoverable errors occurring during a read, and using write bits transferred for recoverable errors occurring during a write.

#### 5.1.2 Unrecoverable Errors

Unrecoverable Data Errors (Sense Key = 03h) are specified at less than 1 sector in error per  $10^{16}$  bits transferred. Unrecoverable Data Errors resulting from the same cause are treated as 1 error for that block.

#### 5.1.3 Seek errors

A seek error is defined as a failure of the drive to position the heads to the addressed track. After detecting an initial seek error, the drive automatically performs an error recovery process. If the error recovery process fails, a seek positioning error (Error code = 15h or 02h) will be reported with a Hardware error (04h) in the Sense Key. Recoverable seek errors are specified at Less than 10 errors in  $10^8$  seeks. Unrecoverable seek errors (Sense Key = 04h) are classified as drive failures.

#### 5.1.4 Interface errors

An interface error is defined as a failure of the receiver on a port to recover the data as transmitted by the device port connected to the receiver. The error may be detected as a running disparity error, illegal code, loss of word sync, or CRC error. The total error rate for a loop of devices is the sum of the individual device error rates.

## 5.2 RELIABILITY AND SERVICE

You can enhance the reliability of Constellation ES.3 SAS disk drives by ensuring that the drive receives adequate cooling. Section 6.0 provides temperature measurements and other information that may be used to enhance the service life of the drive. Section 10.2 provides recommended air-flow information.

### 5.2.1 Annualized Failure Rate (AFR) and Mean Time Between Failures (MTBF)

These drives shall achieve an AFR of 0.55% (MTBF of 1,600,000 hours) when operated in an environment that ensures the HDA case temperatures do not exceed the values specified in Section 6.4.1.

Operation at case temperatures outside the specifications in Section 6.4.1 may increase the AFR (decrease the MTBF). AFR and MTBF statistics are population statistics that are not relevant to individual units.

AFR and MTBF specifications are based on the following assumptions for Enterprise Storage System environments:

- 8,760 power-on hours per year
- 250 average on/off cycles per year
- Operating at nominal voltages
- System provides adequate cooling to ensure the case temperatures specified in Section 6.4.1 are not exceeded.

### 5.2.2 Preventive maintenance

No routine scheduled preventive maintenance is required.

### 5.2.3 Hot plugging the drive

Inserting and removing the drive on the FC-AL will interrupt loop operation. The interruption occurs when the receiver of the next device in the loop must synchronize to a different input signal. FC error detection mechanisms, character sync, running disparity, word sync, and CRC are able to detect any error. Recovery is initiated based on the type of error.

The disk drive defaults to the FC-AL Monitoring state, Pass-through state, when it is powered-on by switching the power or hot plugged. The control line to an optional port bypass circuit (external to the drive), defaults to the Enable Bypass state. If the bypass circuit is present, the next device in the loop will continue to receive the output of the previous device to the newly inserted device. If the bypass circuit is not present, loop operation is temporarily disrupted until the next device starts receiving the output from the newly inserted device and regains synchronization to the new input.

The Pass-through state is disabled while the drive performs self test of the FC interface. The control line for an external port bypass circuit remains in the Enable Bypass state while self test is running. If the bypass circuit is present, loop operation may continue. If the bypass circuit is not present, loop operation will be halted while the self test of the FC interface runs.

When the self test completes successfully, the control line to the bypass circuit is disabled and the drive enters the FC-AL Initializing state. The receiver on the next device in the loop must synchronize to output of the newly inserted drive.

If the self-test fails, the control line to the bypass circuit remains in the Enable Bypass state.

**Note.** It is the responsibility of the systems integrator to assure that no temperature, energy, voltage hazard, or ESD potential hazard is presented during the hot connect/disconnect operation. Discharge the static electricity from the drive carrier prior to inserting it into the system.

**Caution.** The drive motor must come to a complete stop prior to changing the plane of operation. This time is required to insure data integrity.

### 5.2.4 S.M.A.R.T.

S.M.A.R.T. is an acronym for Self-Monitoring Analysis and Reporting Technology. This technology is intended to recognize conditions that indicate imminent drive failure and is designed to provide sufficient warning of a failure to allow you to back up the data before an actual failure occurs.

**Note.** The drive's firmware monitors specific attributes for degradation over time but can't predict instantaneous drive failures.

Each monitored attribute has been selected to monitor a specific set of failure conditions in the operating performance of the drive and the thresholds are optimized to minimize "false" and "failed" predictions.

## Controlling S.M.A.R.T.

The operating mode of S.M.A.R.T. is controlled by the DEXCPT and PERF bits on the Informational Exceptions Control mode page (1Ch). Use the DEXCPT bit to enable or disable the S.M.A.R.T. feature. Setting the DEXCPT bit disables all S.M.A.R.T. functions. When enabled, S.M.A.R.T. collects on-line data as the drive performs normal read and write operations. When the PERF bit is set, the drive is considered to be in “On-line Mode Only” and will not perform off-line functions.

You can measure off-line attributes and force the drive to save the data by using the Rezero Unit command. Forcing S.M.A.R.T. resets the timer so that the next scheduled interrupt is in two hours.

You can interrogate the drive through the host to determine the time remaining before the next scheduled measurement and data logging process occurs. To accomplish this, issue a Log Sense command to log page 0x3E. This allows you to control when S.M.A.R.T. interruptions occur. Forcing S.M.A.R.T. with the RTZ command resets the timer.

## Performance impact

S.M.A.R.T. attribute data is saved to the disk so that the events that caused a predictive failure can be recreated. The drive measures and saves parameters once every two hours subject to an idle period on the FC-AL bus. The process of measuring off-line attribute data and saving data to the disk is uninterruptable. The maximum on-line only processing delay is summarized below:

**Table 2:**

### Maximum processing delay

	<b>On-line only delay DEXCPT = 0, PERF = 1</b>	<b>Fully-enabled delay DEXCPT = 0, PERF = 0</b>
S.M.A.R.T. delay times	42 milliseconds	163 milliseconds

## Reporting control

Reporting is controlled by the MRIE bits in the Informational Exceptions Control mode page (1Ch). Subject to the reporting method, the firmware will issue to the host an 01-5Dxx sense code. The error code is preserved through bus resets and power cycles.

## Determining rate

S.M.A.R.T. monitors the rate at which errors occur and signals a predictive failure if the rate of degraded errors increases to an unacceptable level. To determine rate, error events are logged and compared to the number of total operations for a given attribute. The interval defines the number of operations over which to measure the rate. The counter that keeps track of the current number of operations is referred to as the Interval Counter.

S.M.A.R.T. measures error rates. All errors for each monitored attribute are recorded. A counter keeps track of the number of errors for the current interval. This counter is referred to as the Failure Counter.

Error rate is the number of errors per operation. The algorithm that S.M.A.R.T. uses to record rates of error is to set thresholds for the number of errors and their interval. If the number of errors exceeds the threshold before the interval expires, the error rate is considered to be unacceptable. If the number of errors does not exceed the threshold before the interval expires, the error rate is considered to be acceptable. In either case, the interval and failure counters are reset and the process starts over.

## Predictive failures

S.M.A.R.T. signals predictive failures when the drive is performing unacceptably for a period of time. The firmware keeps a running count of the number of times the error rate for each attribute is unacceptable. To accomplish this, a counter is incremented each time the error rate is unacceptable and decremented (not to exceed zero) whenever the error rate is acceptable. If the counter continually increments such that it reaches the predictive threshold, a predictive failure is signaled. This counter is referred to as the Failure History Counter. There is a separate Failure History Counter for each attribute.

### 5.2.5 Thermal monitor

Cheetah 15K.7 FC drives implement a temperature warning system which:

1. Signals the host if the temperature exceeds a value which would threaten the drive.
2. Signals the host if the temperature exceeds a user-specified value.
3. Saves a S.M.A.R.T. data frame on the drive which exceeds the threatening temperature value.

A temperature sensor monitors the drive temperature and issues a warning over the interface when the temperature exceeds a set threshold. The temperature is measured at power-up and then at ten-minute intervals after power-up.

The thermal monitor system generates a warning code of 01-0B01 when the temperature exceeds the specified limit in compliance with the SCSI standard. The drive temperature is reported in the FRU code field of mode sense data. You can use this information to determine if the warning is due to the temperature exceeding the drive threatening temperature or the user-specified temperature.

This feature is controlled by the Enable Warning (EWasc) bit, and the reporting mechanism is controlled by the Method of Reporting Informational Exceptions field (MRIE) on the Informational Exceptions Control (IEC) mode page (1Ch).

The current algorithm implements two temperature trip points. The first trip point is set at 68°C which is the maximum temperature limit according to the drive specification. The second trip point is user-selectable using the Log Select command. The reference temperature parameter in the temperature log page (see Table 1) can be used to set this trip point. The default value for this drive is 68°C, however, you can set it to any value in the range of 0 to 68°C. If you specify a temperature greater than 68°C in this field, the temperature is rounded down to 68°C. A sense code is sent to the host to indicate the rounding of the parameter field.

**Table 1: Temperature Log Page (0Dh)**

Parameter Code	Description
0000h	Primary Temperature
0001h	Reference Temperature

### 5.2.6 Drive Self Test (DST)

Drive Self Test (DST) is a technology designed to recognize drive fault conditions that qualify the drive as a failed unit. DST validates the functionality of the drive at a system level.

There are two test coverage options implemented in DST:

1. Extended test
2. Short test

The most thorough option is the extended test that performs various tests on the drive and scans every logical block address (LBA) of the drive. The short test is time-restricted and limited in length—it does not scan the entire media surface, but does some fundamental tests and scans portions of the media.

If DST encounters an error during either of these tests, it reports a fault condition. If the drive fails the test, remove it from service and return it to Seagate for service.

### 5.2.6.1 DST failure definition

The drive will present a “diagnostic failed” condition through the self-tests results value of the diagnostic log page if a functional failure is encountered during DST. The channel and servo parameters are not modified to test the drive more stringently, and the number of retries are not reduced. All retries and recovery processes are enabled during the test. If data is recoverable, no failure condition will be reported regardless of the number of retries required to recover the data.

The following conditions are considered DST failure conditions:

- Seek error after retries are exhausted
- Track-follow error after retries are exhausted
- Read error after retries are exhausted
- Write error after retries are exhausted

Recovered errors will not be reported as diagnostic failures.

### 5.2.6.2 Implementation

This section provides all of the information necessary to implement the DST function on this drive.

#### 5.2.6.2.1 State of the drive prior to testing

The drive must be in a ready state before issuing the Send Diagnostic command. There are multiple reasons why a drive may not be ready, some of which are valid conditions, and not errors. For example, a drive may be in process of doing a format, or another DST. It is the responsibility of the host application to determine the “not ready” cause.

While not technically part of DST, a Not Ready condition also qualifies the drive to be returned to Seagate as a failed drive.

A Drive Not Ready condition is reported by the drive under the following conditions:

- Motor will not spin
- Motor will not lock to speed
- Servo will not lock on track
- Drive cannot read configuration tables from the disk

In these conditions, the drive responds to a Test Unit Ready command with an 02/04/00 or 02/04/03 code.

#### 5.2.6.2.2 Invoking DST

To invoke DST, submit the Send Diagnostic command with the appropriate Function Code (001b for the short test or 010b for the extended test) in bytes 1, bits 5, 6, and 7.

#### 5.2.6.2.3 Short and extended tests

DST has two testing options:

1. short
2. extended

These testing options are described in the following two subsections.

Each test consists of three segments: an electrical test segment, a servo test segment, and a read/verify scan segment.

#### Short test (Function Code: 001b)

The purpose of the short test is to provide a time-limited test that tests as much of the drive as possible within 120 seconds. The short test does not scan the entire media surface, but does some fundamental tests and scans portions of the media. A complete read/verify scan is not performed and only factual failures will report a fault condition. This option provides a quick confidence test of the drive.

#### Extended test (Function Code: 010b)

The objective of the extended test option is to empirically test critical drive components. For example, the seek tests and on-track operations test the positioning mechanism. The read operation tests the read head element and the media surface. The write element is tested through read/write/read operations. The integrity of the media is checked through a read/verify scan of the media. Motor functionality is tested by default as a part of these tests.

The anticipated length of the Extended test is reported through the Control Mode page.

#### **5.2.6.2.4 Log page entries**

When the drive begins DST, it creates a new entry in the Self-test Results Log page. The new entry is created by inserting a new self-test parameter block at the beginning of the self-test results log parameter section of the log page. Existing data will be moved to make room for the new parameter block. The drive reports 20 parameter blocks in the log page. If there are more than 20 parameter blocks, the least recent parameter block will be deleted. The new parameter block will be initialized as follows:

1. The Function Code field is set to the same value as sent in the DST command
2. The Self-Test Results Value field is set to Fh
3. The drive will store the log page to non-volatile memory

After a self-test is complete or has been aborted, the drive updates the Self-Test Results Value field in its Self-Test Results Log page in non-volatile memory. The host may use Log Sense to read the results from up to the last 20 self-tests performed by the drive. The self-test results value is a 4-bit field that reports the results of the test. If the field is set to zero, the drive passed with no errors detected by the DST. If the field is not set to zero, the test failed for the reason reported in the field.

The drive will report the failure condition and LBA (if applicable) in the Self-test Results Log parameter. The Sense key, ASC, ASCQ, and FRU are used to report the failure condition.

#### **5.2.6.2.5 Abort**

There are several ways to abort a diagnostic. You can use a SCSI Bus Reset or a Bus Device Reset message to abort the diagnostic.

You can abort a DST executing in background mode by using the abort code in the DST Function Code field. This will cause a 01 (self-test aborted by the application client) code to appear in the self-test results values log. All other abort mechanisms will be reported as a 02 (self-test routine was interrupted by a reset condition).

### **5.2.7 Product warranty**

Beginning on the date of shipment to the customer and continuing for the period specified in your purchase contract, Seagate warrants that each product (including components and subassemblies) that fails to function properly under normal use due to defect in materials or workmanship or due to nonconformance to the applicable specifications will be repaired or replaced, at Seagate's option and at no charge to the customer, if returned by customer at customer's expense to Seagate's designated facility in accordance with Seagate's warranty procedure. Seagate will pay for transporting the repair or replacement item to the customer. For more detailed warranty information, refer to the standard terms and conditions of purchase for Seagate products on your purchase documentation.

The remaining warranty for a particular drive can be determined by calling Seagate Customer Service at 1-800-468-3472. You can also determine remaining warranty using the Seagate web site ([www.seagate.com](http://www.seagate.com)). The drive serial number is required to determine remaining warranty information.

#### **Shipping**

When transporting or shipping a drive, use only a Seagate-approved container. Keep your original box. Seagate approved containers are easily identified by the Seagate Approved Package label. Shipping a drive in a non-approved container voids the drive warranty.

Seagate repair centers may refuse receipt of components improperly packaged or obviously damaged in transit. Contact your authorized Seagate distributor to purchase additional boxes. Seagate recommends shipping by an air-ride carrier experienced in handling computer equipment.

#### **Product repair and return information**

Seagate customer service centers are the only facilities authorized to service Seagate drives. Seagate does not sanction any third-party repair facilities. Any unauthorized repair or tampering with the factory seal voids the warranty.



## 6.0 PHYSICAL/ELECTRICAL SPECIFICATIONS

This section provides information relating to the physical and electrical characteristics of the drive.

### 6.1 AC POWER REQUIREMENTS

None.

### 6.2 DC POWER REQUIREMENTS

The voltage and current requirements for a single drive are shown below. Values indicated apply at the drive connector. Notes are shown following the last power requirements table.

The standard drive models and the SED drive models have identical hardware, however the security and encryption portion of the drive controller ASIC is enabled and functional in the SED models. This represents a small additional drain on the 5V supply of about 30mA and a commensurate increase of about 150mW in power consumption. There is no additional drain on the 12V supply.

**Table 2 ST3600057FC DC power requirements**

			2 Gbit		4 Gbit	
		Notes	(Amps)	(Amps)	(Amps)	(Amps)
<b>Voltage</b>			+5V	+12V [2]	+5V	+12V [2]
<b>Regulation</b>		[5]	±5%	±5% [2]	±5%	±5% [2]
<b>Avg idle current DC<math>\bar{X}</math></b>		[1] [7]	0.39	0.81	0.42	0.81
<b>Maximum starting current</b>						
<b>(peak DC) DC</b>	3s	[3]	0.67	1.93	0.70	1.92
<b>(peak AC) AC</b>	3s	[3]	1.02	3.73	1.00	3.61
<b>Delayed motor start (max) DC</b>	3s	[1] [4]	0.55	0.04	0.58	0.04
<b>Peak operating current:</b>						
<b>Typical DC<math>\bar{X}</math></b>		[1] [6]	0.48	1.18	0.51	1.17
<b>Maximum DC</b>	3s	[1]	0.50	1.19	0.53	1.19
<b>Maximum (peak) DC</b>	3s		1.30	3.00	1.32	2.98

**Table 3 ST3450857FC DC power requirements**

			2 Gbit		4 Gbit	
		Notes	(Amps)	(Amps)	(Amps)	(Amps)
<b>Voltage</b>			+5V	+12V [2]	+5V	+12V [2]
<b>Regulation</b>		[5]	±5%	±5% [2]	±5%	±5% [2]
<b>Avg idle current DC<math>\bar{X}</math></b>		[1] [7]	0.40	0.69	0.42	0.69
<b>Maximum starting current</b>						
<b>(peak DC) DC</b>	3s	[3]	0.69	1.85	0.72	1.85
<b>(peak AC) AC</b>	3s	[3]	1.08	3.77	1.08	3.49
<b>Delayed motor start (max) DC</b>	3s	[1] [4]	0.58	0.04	0.61	0.04
<b>Peak operating current:</b>						
<b>Typical DC<math>\bar{X}</math></b>		[1] [6]	0.49	1.04	0.53	1.03
<b>Maximum DC</b>	3s	[1]	0.53	1.07	0.57	1.07
<b>Maximum (peak) DC</b>	3s		1.36	2.80	1.40	2.84

**Table 4 ST3300657FC DC power requirements**

	Notes	2 Gbit		4 Gbit	
		(Amps)	(Amps)	(Amps)	(Amps)
<b>Voltage</b>		+5V	+12V [2]	+5V	+12V [2]
<b>Regulation</b>	[5]	±5%	±5% [2]	±5%	±5% [2]
<b>Avg idle current DC<math>\bar{X}</math></b>	[1] [7]	0.39	0.59	0.39	0.59
<b>Maximum starting current</b>					
<b>(peak DC) DC</b>	3s [3]	0.62	1.91	0.62	1.91
<b>(peak AC) AC</b>	3s [3]	0.96	3.75	0.98	3.57
<b>Delayed motor start (max) DC</b>	3s [1] [4]	0.56	0.04	0.56	0.04
<b>Peak operating current:</b>					
<b>Typical DC<math>\bar{X}</math></b>	[1] [6]	0.48	0.92	0.48	0.91
<b>Maximum DC</b>	3s [1]	0.53	1.00	0.53	0.95
<b>Maximum (peak) DC</b>	3s	1.32	2.80	1.32	2.72

- [1] Measured with average reading DC ammeter. Instantaneous +12V current peaks will exceed these values. Power supply at nominal voltage. N (number of drives tested) = 6, 35 Degrees C ambient.
- [2] For +12 V, a –10% tolerance is allowed during initial spindle start but must return to ±5% before reaching 15000 RPM. The ±5% must be maintained after the drive signifies that its power-up sequence has been completed and that the drive is able to accept selection by the host initiator.
- [3] See +12V current profile in Figure 1.
- [4] This condition occurs when the Motor Start option is enabled and the drive has not yet received a Start Motor command.
- [5] See paragraph 6.2.1, "Conducted noise immunity." Specified voltage tolerance includes ripple, noise, and transient response.
- [6] Operating condition is defined as random 8 block reads at 375 I/Os per second for 600GB models and 380 I/Os per second for 450GB and 300GB models. Current and power specified at nominal voltages.
- [7] During idle, the drive heads are relocated every 60 seconds to a random location within the band from three-quarters to maximum track.

General DC power requirement notes.

1. Minimum current loading for each supply voltage is not less than 1.2% of the maximum operating current shown.
2. The +5V and +12V supplies should employ separate ground returns.
3. Where power is provided to multiple drives from a common supply, careful consideration for individual drive power requirements should be noted. Where multiple units are powered on simultaneously, the peak starting current must be available to each device.
4. Parameters, other than spindle start, are measured after a 10-minute warm up.
5. No terminator power.

**6.2.1 Conducted noise immunity**

Noise is specified as a periodic and random distribution of frequencies covering a band from DC to 10 MHz. Maximum allowed noise values given below are peak-to-peak measurements and apply at the drive power connector.

- +5 V = 250 mV pp from 100 Hz to 20 MHz.
- +12 V = 800 mV pp from 100 Hz to 8 KHz.
- 450 mV pp from 8 KHz to 20 KHz.
- 250 mV pp from 20 KHz to 5 MHz.

## 6.2.2 Power sequencing

The drive does not require power sequencing. The drive protects against inadvertent writing during power-up and down.

## 6.2.3 Current profiles

The +12V and +5V current profiles are shown in the following figures.

**Note:** All times and currents are typical. See Section 6.2 for maximum current requirements.

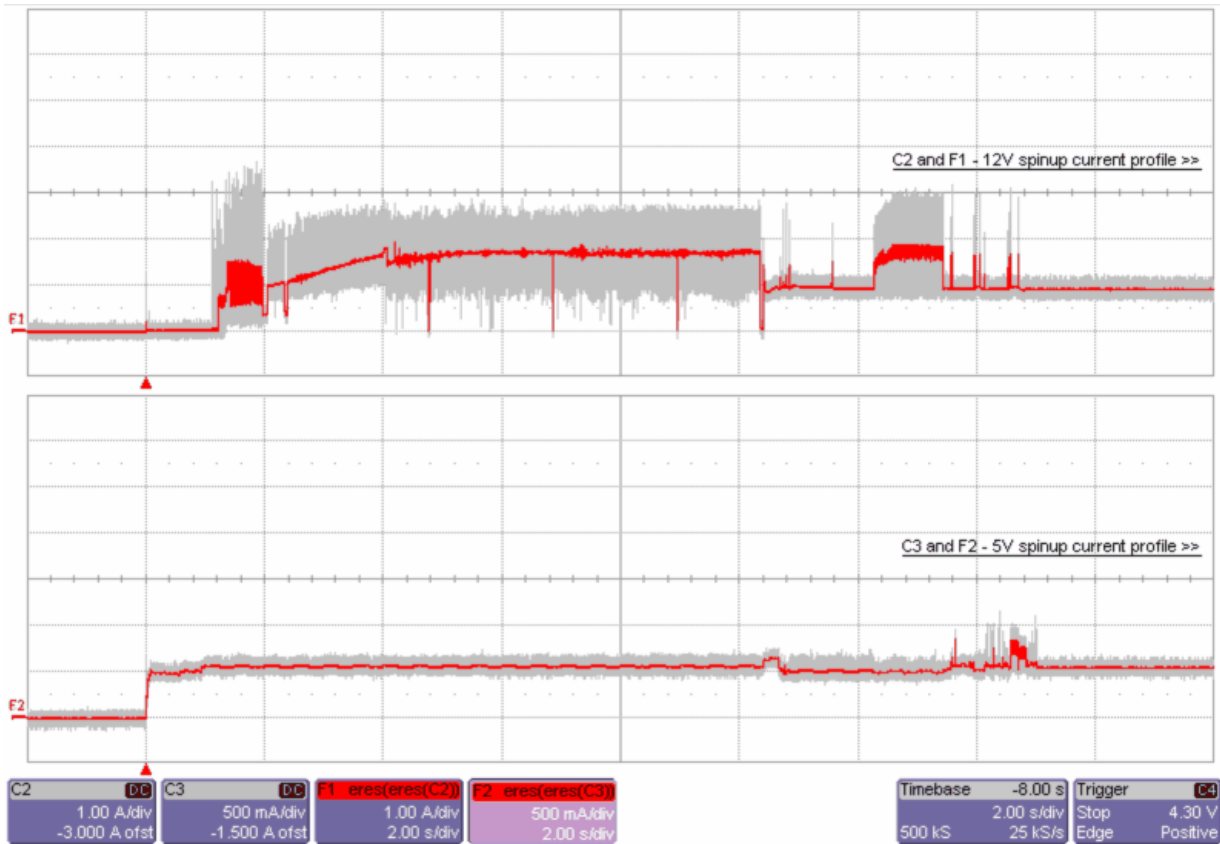


Figure 1. Typical ST3600057FC current profiles

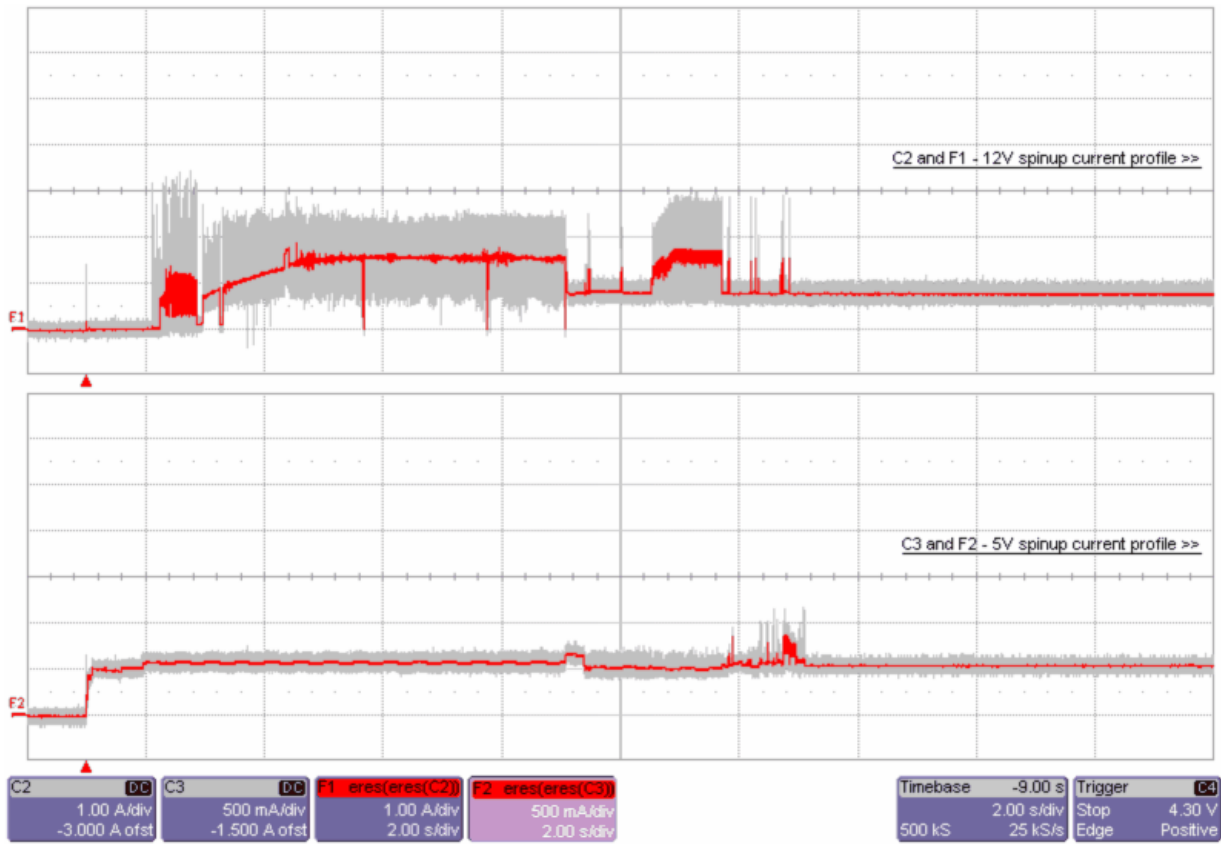


Figure 2. Typical ST3450857FC current profiles

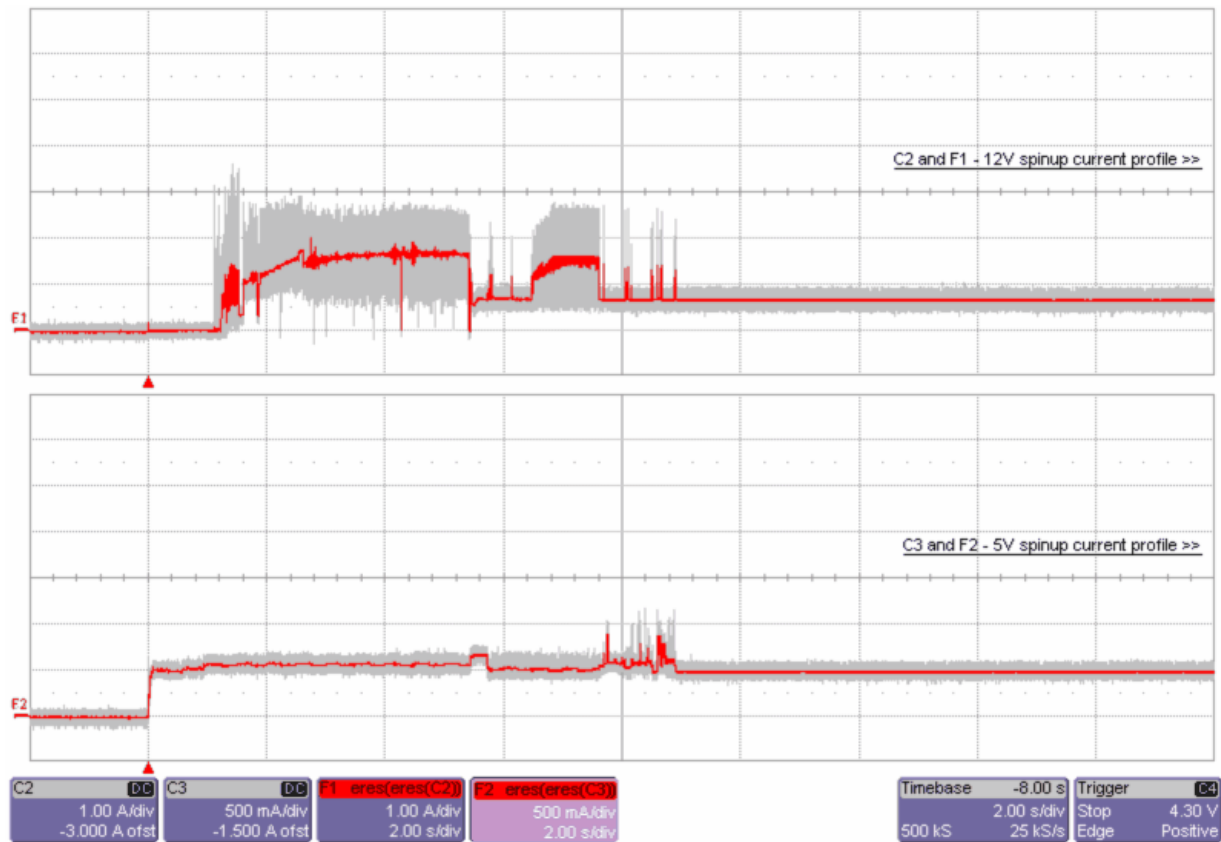


Figure 3. Typical ST3300657FC current profiles

### 6.3 POWER DISSIPATION

600GB model

Typical power dissipation under idle conditions in 4 Gbit operation is 11.58 watts (39.52 BTUs per hour).

To obtain operating power for typical random read operations, refer to the following I/O rate curve (see Figure 4). Locate the typical I/O rate for a drive in your system on the horizontal axis and read the corresponding +5 volt current, +12 volt current, and total watts on the vertical axis. To calculate BTUs per hour, multiply watts by 3.4123.

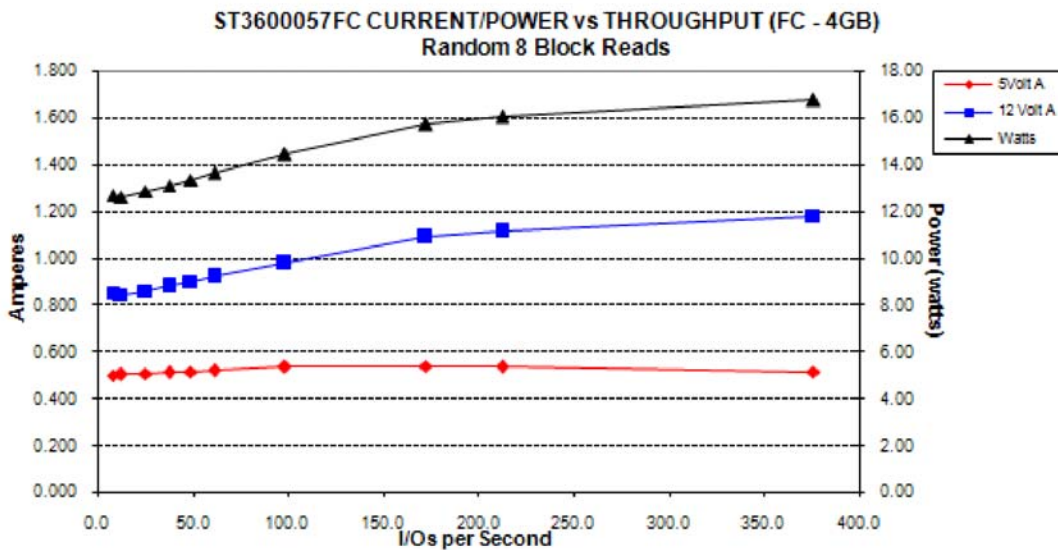


Figure 4. ST3600057FC DC current and power vs. input/output operations per second

450GB models

Typical power dissipation under idle conditions in 4 Gbit operation is 10.24 watts (34.94 BTUs per hour).

To obtain operating power for typical random read operations, refer to the following I/O rate curve (see Figure 4). Locate the typical I/O rate for a drive in your system on the horizontal axis and read the corresponding +5 volt current, +12 volt current, and total watts on the vertical axis. To calculate BTUs per hour, multiply watts by 3.4123.

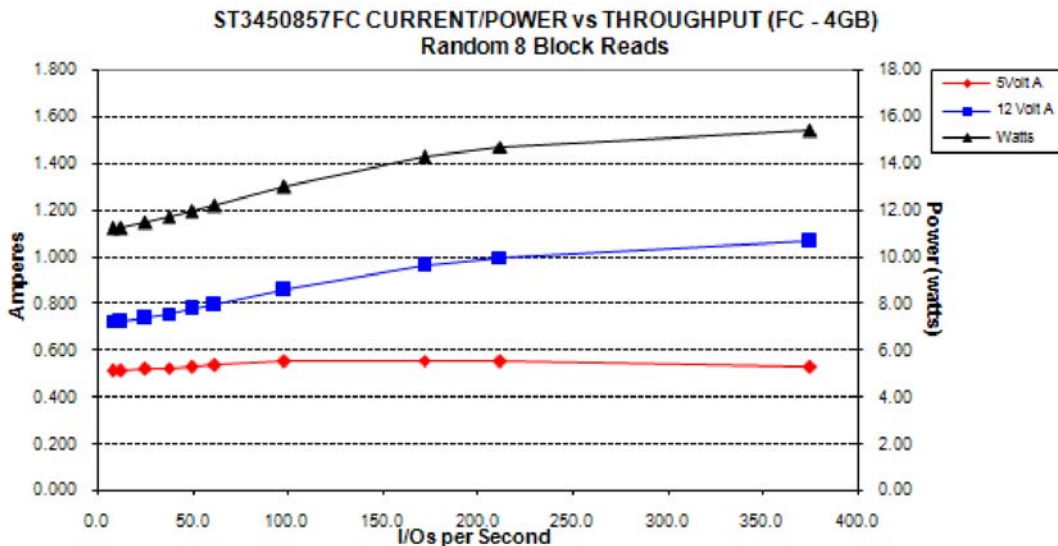


Figure 5. ST3450857FC DC current and power vs. input/output operations per second

300GB models

Typical power dissipation under idle conditions in 4 Gbit operation is 9.06 watts (30.92 BTUs per hour).

To obtain operating power for typical random read operations, refer to the following I/O rate curve (see Figure 4). Locate the typical I/O rate for a drive in your system on the horizontal axis and read the corresponding +5 volt current, +12 volt current, and total watts on the vertical axis. To calculate BTUs per hour, multiply watts by 3.4123.

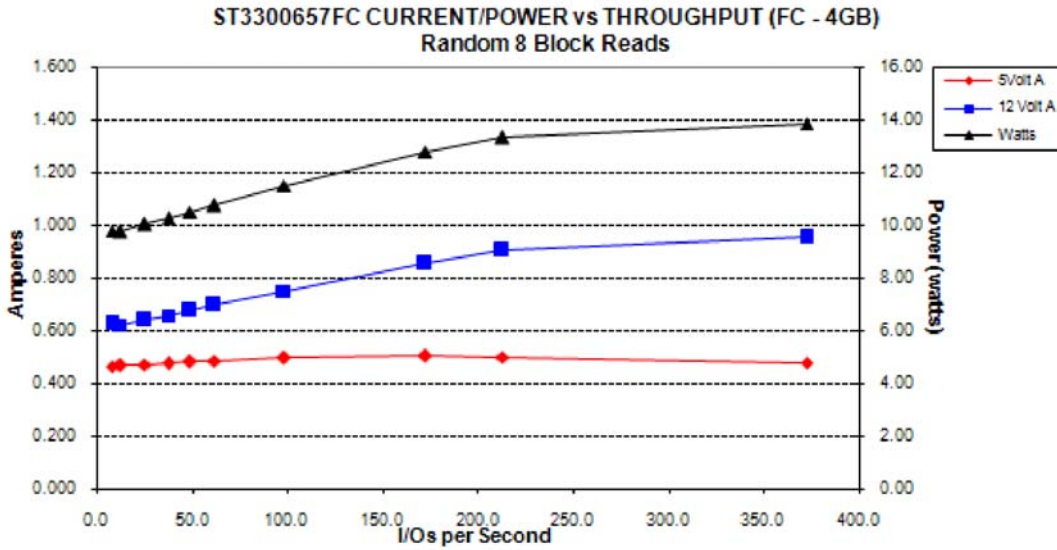


Figure 6. ST3300657FC DC current and power vs. input/output operations per second

## 6.4 ENVIRONMENTAL LIMITS

Temperature and humidity values experienced by the drive must be such that condensation does not occur on any drive part. Altitude and atmospheric pressure specifications are referenced to a standard day at 58.7°F (14.8°C). Maximum wet bulb temperature is 82°F (28°C).

### 6.4.1 Temperature

#### a. Operating

The maximum allowable continuous or sustained HDA case temperature for the rated Annualized Failure Rate (AFR) is 122°F (50°C). The maximum allowable HDA case temperature is 60°C. Occasional excursions of HDA case temperatures above 122°F (50°C) or below 41°F (5°C) may occur without impact to the specified AFR. Continual or sustained operation at HDA case temperatures outside these limits may degrade AFR.

Provided the HDA case temperatures limits are met, the drive meets all specifications over a 41°F to 131°F (5°C to 55°C) drive ambient temperature range with a maximum temperature gradient of 68°F (20°C) per hour. Air flow may be needed in the drive enclosure to keep within this range (see Section 8.3). Operation at HDA case temperatures outside this range may adversely affect the drives ability to meet specifications. To confirm that the required cooling for the electronics and HDA case is provided, place the drive in its final mechanical configuration, perform random write/read operations and measure the HDA case temperature after it has stabilized.

#### b. Non-operating

–40° to 158°F (–40° to 70°C) package ambient with a maximum gradient of 68°F (20°C) per hour. This specification assumes that the drive is packaged in the shipping container designed by Seagate for use with drive.

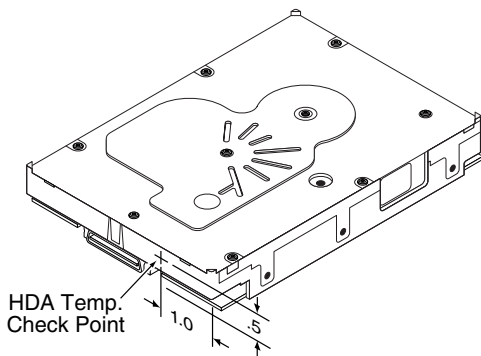


Figure 7. Locations of the HDA temperature check point

### 6.4.2 Relative humidity

The values below assume that no condensation on the drive occurs.

#### a. Operating

5% to 95% non-condensing relative humidity with a maximum gradient of 20% per hour.

#### b. Non-operating

5% to 95% non-condensing relative humidity.

### 6.4.3 Effective altitude (sea level)

#### a. Operating

–1,000 to +10,000 feet (–305 to +3,048 meters)

#### b. Non-operating

–1,000 to +40,000 feet (–305 to +12,210 meters)

## 6.4.4 Shock and vibration

Shock and vibration limits specified in this document are measured directly on the drive chassis. If the drive is installed in an enclosure to which the stated shock and/or vibration criteria is applied, resonances may occur internally to the enclosure resulting in drive movement in excess of the stated limits. If this situation is apparent, it may be necessary to modify the enclosure to minimize drive movement.

The limits of shock and vibration defined within this document are specified with the drive mounted by any of the four methods shown in Figure 8, and in accordance with the restrictions of Section 10.4. Orientation of the side nearest the I/O connector may be up or down.

### 6.4.4.1 Shock

#### a. Operating—normal

The drive, as installed for normal operation, shall operate error free while subjected to intermittent shock not exceeding:

- 15 Gs at a duration of 11 msec (half sinewave)
- 20 Gs at a duration of 2 msec (half sinewave)
- 60 Gs at a duration of 2 msec (half sinewave) when performing reads only

Shock may be applied in the X, Y, or Z axis. Shock is not to be repeated more than once every 2 seconds.

#### b. Operating—abnormal

Equipment, as installed for normal operation, does not incur physical damage while subjected to intermittent shock not exceeding 40 Gs at a duration of 11 msec (half sinewave). Shock occurring at abnormal levels may promote degraded operational performance during the abnormal shock period. Specified operational performance will continue when normal operating shock levels resume. Shock may be applied in the X, Y, or Z axis. Shock is not to be repeated more than once every 2 seconds.

#### c. Non-operating

The limits of non-operating shock shall apply to all conditions of handling and transportation. This includes both isolated drives and integrated drives.

The drive subjected to nonrepetitive shock not exceeding the three values below, shall not exhibit device damage or performance degradation.

- 80 Gs at a duration of 11 msec (half sinewave)
- 300 Gs at a duration of 2 msec (half sinewave)
- 150 Gs at a duration of 0.5 msec (half sinewave)

Shock may be applied in the X, Y, or Z axis.

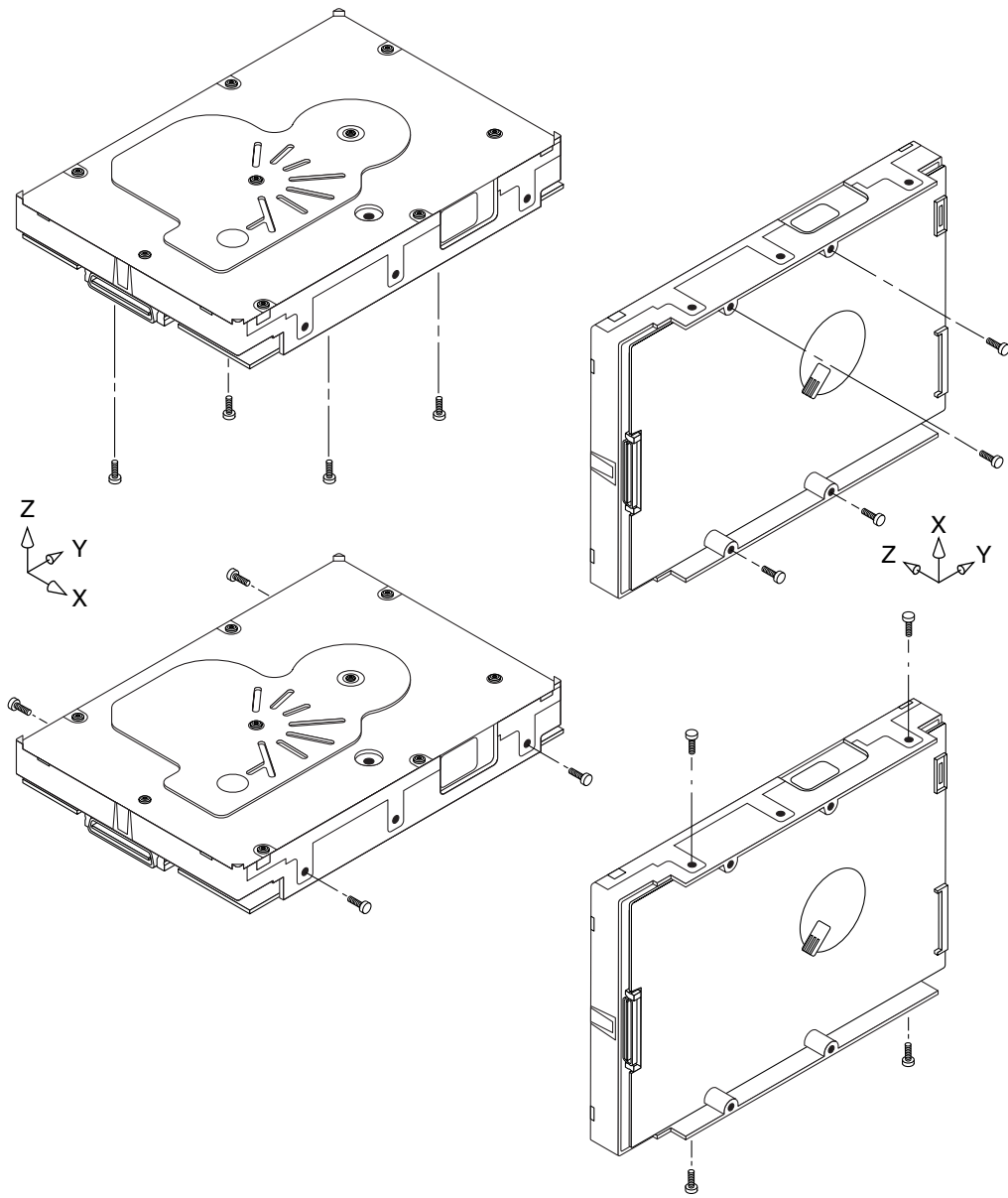
#### d. Packaged

Disk drives shipped as loose load (not palletized) general freight will be packaged to withstand drops from heights as defined in the table below. For additional details refer to Seagate specifications 30190-001 (under 100 lbs/45 kg) or 30191-001 (over 100 lbs/45 Kg).

<b>PACKAGE SIZE</b>	<b>PACKAGED/PRODUCT WEIGHT</b>	<b>DROP HEIGHT</b>
<600 cu in (<9,800 cu cm)	Any	60 in (1524 mm)
600-1800 cu in (9,800-19,700 cu cm)	0-20 lb (0 to 9.1 kg)	48 in (1219 mm)
>1800 cu in (>19,700 cu cm)	0-20 lb (0 to 9.1 kg)	42 in (1067 mm)
>600 cu in (>9,800 cu cm)	20-40 lb (9.1 to 18.1 kg)	36 in (914 mm)

Drives packaged in single or multipacks with a gross weight of 20 pounds (8.95 kg) or less by Seagate for general freight shipment shall withstand a drop test from 48 inches (1,070 mm) against a concrete floor or equivalent.





**Figure 8. Recommended mounting**

#### 6.4.4.2 Vibration

##### a. Operating—normal

The drive as installed for normal operation, shall comply with the complete specified performance while subjected to continuous vibration not exceeding

10 – 300 Hz	1.0 G RMS (0 to peak)
301– 500 Hz	0.5 G RMS (0 to peak)

Vibration may be applied in the X, Y, or Z axis.

##### b. Operating—abnormal

Equipment as installed for normal operation shall not incur physical damage while subjected to periodic vibration not exceeding:

15 minutes of duration at major resonant frequency

Vibration occurring at these levels may degrade operational performance during the abnormal vibration period. Specified operational performance will continue when normal operating vibration levels are resumed. This assumes system recovery routines are available.

Operating abnormal translational random flat profile

5 – 500 Hz	0.75 G (0 to peak)
10 - 300 Hz	0.0029 G <sup>2</sup> /Hz

##### c. Non-operating

The limits of non-operating vibration shall apply to all conditions of handling and transportation. This includes both isolated drives and integrated drives.

The drive shall not incur physical damage or degraded performance as a result of continuous vibration not exceeding

5 – 22 Hz	0.25 G (0 to peak, linear, swept sine, 0.5 octave/min)
22 - 350 Hz	3 G (0 to peak, linear, swept sine, 0.5 octave/min)
350 - 500 Hz	1 G (0 to peak, linear, swept sine, 0.5 octave/min)

Vibration may be applied in the X, Y, or Z axis.

#### 6.4.5 Acoustics

Sound power during idle mode shall be 3.4 bels typical when measured to ISO 7779 specification. Sound power while operating shall be 3.8 bels typical when measured to ISO 7779 specification.

There will not be any discrete tones more than 10 dB above the masking noise on typical drives when measured according to Seagate specification 30553-001. There will not be any tones more than 24 dB above the masking noise on any drive.

#### 6.4.6 Air cleanliness

The drive is designed to operate in a typical office environment with minimal environmental control.

#### 6.4.7 Corrosive environment

Seagate electronic drive components pass accelerated corrosion testing equivalent to 10 years exposure to light industrial environments containing sulfurous gases, chlorine and nitric oxide, classes G and H per ASTM B845. However, this accelerated testing cannot duplicate every potential application environment.

Users should use caution exposing any electronic components to uncontrolled chemical pollutants and corrosive chemicals as electronic drive component reliability can be affected by the installation environment. The silver, copper, nickel and gold films used in Seagate products are especially sensitive to the presence of sulfide, chloride, and nitrate contaminants. Sulfur is found to be the most damaging. In addition, electronic components should never be exposed to condensing water on the surface of the printed circuit board assembly (PCBA) or exposed to an ambient relative humidity greater than 95%. Materials used in cabinet fabrication, such as vulcanized rubber, that can outgas corrosive compounds should be minimized or eliminated. The useful life of any electronic equipment may be extended by replacing materials near circuitry with sulfide-free alternatives.

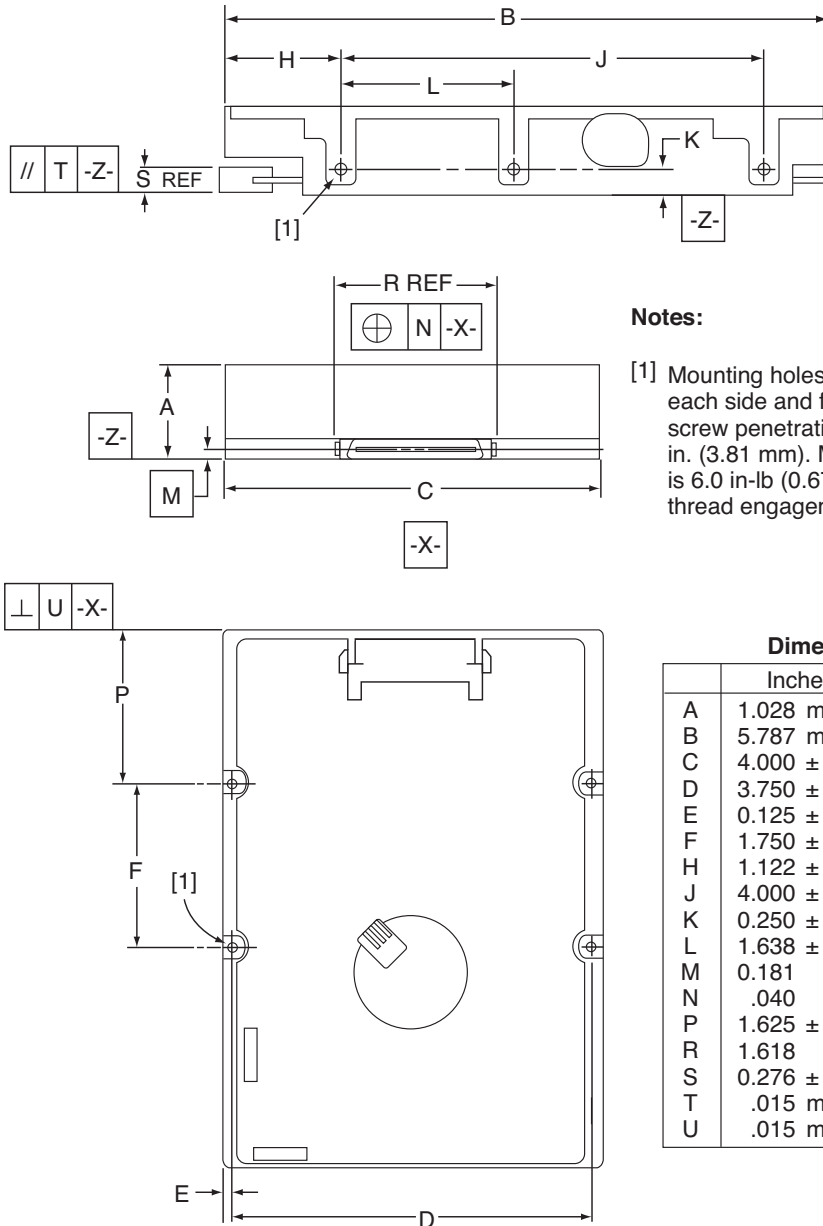
#### 6.4.8 Electromagnetic susceptibility

See Section 2.1.1.1.

## 6.5 MECHANICAL SPECIFICATIONS

Refer to Figure 9 for detailed physical dimensions. See Section 10.4, "Drive mounting."

Height:	1.03 in	26.10 mm
Width:	4.00 in	101.60 mm
Depth:	5.79 in	147 mm
Weight (max):	1.76 pounds	0.80 kilograms



### Notes:

- [1] Mounting holes are 6-32 UNC 2B, three on each side and four on the bottom. Max screw penetration into side of drive is 0.15 in. (3.81 mm). Max screw tightening torque is 6.0 in-lb (0.6779 nm) with minimum full thread engagement of 0.12 in. (3.05 mm).

**Dimension Table**

	Inches	Millimeters
A	1.028 max	26.10 max
B	5.787 max	147.00 max
C	4.000 ± .010	101.60 ± .25
D	3.750 ± .010	95.25 ± .25
E	0.125 ± .010	3.18 ± .25
F	1.750 ± .010	44.45 ± .25
H	1.122 ± .020	28.50 ± .50
J	4.000 ± .010	101.60 ± .25
K	0.250 ± .010	6.35 ± .25
L	1.638 ± .010	41.60 ± .25
M	0.181	4.60
N	.040	1.02
P	1.625 ± .020	41.28 ± .50
R	1.618	41.10
S	0.276 ± .040	7.00 ± 1.02
T	.015 max	0.38 max
U	.015 max	0.38 max

**Figure 9. Mounting configuration dimensions**

## 7.0 ABOUT FIPS

The Federal Information Processing Standard (FIPS) Publication 140-2 is a U.S. Government Computer Security Standard used to accredit cryptographic modules. It is titled 'Security Requirements for Cryptographic Modules (FIPS PUB 140-2)' and is issued by the National Institute of Standards and Technology (NIST).

### Purpose

This standard specifies the security requirements that will be satisfied by a cryptographic module utilized within a security system protecting sensitive but unclassified information. The standard provides four increasing, qualitative levels of security: Level 1, Level 2, Level 3 and Level 4. These levels are intended to cover the wide range of potential applications and environments in which cryptographic modules may be employed.

### Validation Program

Products that claim conformance to this standard are validated by the Cryptographic Module Validation Program (CMVP) which is a joint effort between National Institute of Standards and Technology (NIST) and the Communications Security Establishment (CSE) of the Government of Canada. Products validated as conforming to FIPS 140-2 are accepted by the Federal agencies of both countries for the protection of sensitive information (United States) or Designated Information (Canada).

In the CMVP, vendors of cryptographic modules use independent, accredited testing laboratories to have their modules tested. National Voluntary Laboratory Accreditation Program (NVLAP) accredited laboratories perform cryptographic module compliance/conformance testing.

### Seagate Enterprise SED

The SED drives referenced in this Product Manual have been validated by CMVP and have been thoroughly tested to satisfy FIPS 140-2 Level 2 requirements. In order to operate in FIPS Approved Mode of Operation, these SEDs require security initialization. For more information, refer to 'Security Rules' section in the 'Security Policy' document uploaded on the NIST website - Cert# 1299: Seagate Secure® Enterprise Self-Encrypting Drives FIPS 140 Module: <http://csrc.nist.gov/groups/STM/cmvp/documents/140-1/140val-all.htm>

#### Security Level 2

Security Level 2 enhances the physical security mechanisms of a Security Level 1 cryptographic module by adding the requirement for tamper-evidence, which includes the use of tamper-evident coatings or seals on removable covers of the module. Tamper-evident coatings or seals are placed on a cryptographic module so that the coating or seal must be broken to attain physical access to the critical security parameters (CSP) within the module. Tamper-evident seals are placed on covers to protect against unauthorized physical access. In addition Security Level 2 requires, at a minimum, role-based authentication in which a cryptographic module authenticates the authorization of an operator to assume a specific role and perform a corresponding set of services.



**Figure 10.** Example of FIPS tamper evidence labels.

**Note.** Image is for reference only, may not represent actual drive.

## 8.0 ABOUT SELF-ENCRYPTING DRIVES

Self-encrypting drives (SEDs) offer encryption and security services for the protection of stored data, commonly known as “protection of data at rest.” These drives are compliant with the Trusted Computing Group (TCG) Enterprise Storage Specifications as detailed in Section 2.3.

The Trusted Computing Group (TCG) is an organization sponsored and operated by companies in the computer, storage and digital communications industry. Seagate’s SED models comply with the standards published by the TCG.

To use the security features in the drive, the host must be capable of constructing and issuing the following two SCSI commands:

- Security Protocol Out
- Security Protocol In

These commands are used to convey the TCG protocol to and from the drive in their command payloads.

### 8.1 DATA ENCRYPTION

Encrypting drives use one inline encryption engine for each port, employing AES-128 data encryption in Cipher Block Chaining (CBC) mode to encrypt all data prior to being written on the media and to decrypt all data as it is read from the media. The encryption engines are always in operation, cannot be disabled, and do not detract in any way from the performance of the drive.

The 32-byte Data Encryption Key (DEK) is a random number which is generated by the drive, never leaves the drive, and is inaccessible to the host system. The DEK is itself encrypted when it is stored on the media and when it is in volatile temporary storage (DRAM) external to the encryption engine. A unique data encryption key is used for each of the drive's possible 16 data bands (see Section 8.5).

### 8.2 CONTROLLED ACCESS

The drive has two security partitions (SPs) called the "Admin SP" and the "Locking SP." These act as gatekeepers to the drive security services. Security-related commands will not be accepted unless they also supply the correct credentials to prove the requester is authorized to perform the command.

#### 8.2.1 Admin SP

The Admin SP allows the drive's owner to enable or disable firmware download operations (see Section 8.4). Access to the Admin SP is available using the SID (Secure ID) password or the MSID (Makers Secure ID) password.

#### 8.2.2 Locking SP

The Locking SP controls read/write access to the media and the cryptographic erase feature. Access to the Locking SP is available using the BandMasterX or EraseMaster passwords. Since the drive owner can define up to 16 data bands on the drive, each data band has its own password called BandMasterX where X is the number of the data band (0 through 15).

#### 8.2.3 Default password

When the drive is shipped from the factory, all passwords are set to the value of MSID. This 32-byte random value is printed on the drive label and it can be read by the host electronically over the I/O. After receipt of the drive, it is the responsibility of the owner to use the default MSID password as the authority to change all other passwords to unique owner-specified values.

### 8.3 RANDOM NUMBER GENERATOR (RNG)

The drive has a 32-byte hardware RNG that it uses to derive encryption keys or, if requested to do so, to provide random numbers to the host for system use, including using these numbers as Authentication Keys (passwords) for the drive's Admin and Locking SPs.

## 8.4 DRIVE LOCKING

In addition to changing the passwords, as described in Section 8.2.3, the owner should also set the data access controls for the individual bands.

The variable "LockOnReset" should be set to "PowerCycle" to ensure that the data bands will be locked if power is lost. This scenario occurs if the drive is removed from its cabinet. The drive will not honor any data read or write requests until the bands have been unlocked. This prevents the user data from being accessed without the appropriate credentials when the drive has been removed from its cabinet and installed in another system.

When the drive is shipped from the factory, the firmware download port is locked and the drive will reject any attempt to download new firmware. The drive owner must use the SID credential to unlock the firmware download port before firmware updates will be accepted.

## 8.5 DATA BANDS

When shipped from the factory, the drive is configured with a single data band called Band 0 (also known as the Global Data Band) which comprises LBA 0 through LBA max. The host may allocate Band1 by specifying a start LBA and an LBA range. The real estate for this band is taken from the Global Band. An additional 14 Data Bands may be defined in a similar way (Band2 through Band15) but before these bands can be allocated LBA space, they must first be individually enabled using the EraseMaster password.

Data bands cannot overlap but they can be sequential with one band ending at LBA (x) and the next beginning at LBA (x+1).

Each data band has its own drive-generated encryption key and its own user-supplied password. The host may change the Encryption Key (see Section 8.6) or the password when required. The bands should be aligned to 4K LBA boundaries.

## 8.6 CRYPTOGRAPHIC ERASE

A significant feature of SEDs is the ability to perform a cryptographic erase. This involves the host telling the drive to change the data encryption key for a particular band. Once changed, the data is no longer recoverable since it was written with one key and will be read using a different key. Since the drive overwrites the old key with the new one, and keeps no history of key changes, the user data can never be recovered. This is tantamount to an instantaneous data erase and is very useful if the drive is to be scrapped or redispositioned.

## 8.7 AUTHENTICATED FIRMWARE DOWNLOAD

In addition to providing a locking mechanism to prevent unwanted firmware download attempts, the drive also only accepts download files which have been cryptographically signed by the appropriate Seagate Design Center.

Three conditions must be met before the drive will allow the download operation:

1. The download must be an SED file. A standard (base) drive (non-SED) file will be rejected.
2. The download file must be signed and authenticated.
3. As with a non-SED drive, the download file must pass the acceptance criteria for the drive. For example it must be applicable to the correct drive model, and have compatible revision and customer status.

## 8.8 POWER REQUIREMENTS

The standard drive models and the SED drive models have identical hardware, however the security and encryption portion of the drive controller ASIC is enabled and functional in the SED models. This represents a small additional drain on the 5V supply of about 30mA and a commensurate increase of about 150mW in power consumption. There is no additional drain on the 12V supply. See the tables in Section 6.2 for power requirements on the standard (non-SED) drive models.

## 8.9 SUPPORTED COMMANDS

The SED models support the following two commands in addition to the commands supported by the standard (non-SED) models as listed in Table 16:

- Security Protocol Out (B5h)
- Security Protocol In (A2h)

## 9.0 DEFECT AND ERROR MANAGEMENT

Seagate continues to use innovative technologies to manage defects and errors. These technologies are designed to increase data integrity, perform drive self-maintenance, and validate proper drive operation.

SCSI defect and error management involves drive internal defect/error management and FC system error considerations (errors in communications between the initiator and the drive). In addition, Seagate provides the following technologies used to increase data integrity and drive reliability:

- Background Media Scan (see Section 9.4)
- Media Pre-Scan (see Section 9.5)
- Deferred Auto-Reallocation (see Section 9.6)
- Idle Read After Write (see Section 9.7)

The read error rates and specified storage capacities are not dependent on host (initiator) defect management routines.

### 9.1 DRIVE INTERNAL DEFECTS/ERRORS

During the initial drive format operation at the factory, media defects are identified, tagged as being unusable, and their locations recorded on the drive primary defects list (referred to as the “P” list and also as the ETF defect list). At factory format time, these known defects are also reallocated, that is, reassigned to a new place on the medium and the location listed in the defects reallocation table. The “P” list is not altered after factory formatting. Locations of defects found and reallocated during error recovery procedures after drive shipment are listed in the “G” list (defects growth list). The “P” and “G” lists may be referenced by the initiator using the Read Defect Data command.

Details of the SCSI commands supported by the drive are described in the *Fibre Channel Interface Manual*. Also, more information on the drive Error Recovery philosophy is presented in the *Fibre Channel Interface Manual*.

### 9.2 DRIVE ERROR RECOVERY PROCEDURES

When an error occurs during drive operation, the drive, if programmed to do so, performs error recovery procedures to attempt to recover the data. The error recovery procedures used depend on the options previously set in the Error Recovery Parameters mode page. Error recovery and defect management may involve using several SCSI commands described in the *Fibre Channel Interface Manual*. The drive implements selectable error recovery time limits required in video applications.

The error recovery scheme supported by the drive provides a way to control the total error recovery time for the entire command in addition to controlling the recovery level for a single LBA. The total amount of time spent in error recovery for a command can be limited using the Recovery Time Limit bytes in the Error Recovery mode page. The total amount of time spent in error recovery for a single LBA can be limited using the Read Retry Count or Write Retry Count bytes in the Error Recovery mode page.

The drive firmware error recovery algorithms consists of 13 levels for read recoveries and five levels for write. Each level may consist of multiple steps, where a step is defined as a recovery function involving a single re-read or re-write attempt. The maximum level used by the drive in LBA recovery is determined by the read and write retry counts.

Table 5 equates the read and write retry count with the maximum possible recovery time for read and write recovery of individual LBAs. The times given do not include time taken to perform reallocations. Reallocations are performed when the ARRE bit (for reads) or AWRE bit (for writes) is one, the RC bit is zero, and the recovery time limit for the command has not yet been met. Time needed to perform reallocation is not counted against the recovery time limit.

When the RC bit is one, reallocations are disabled even if the ARRE or AWRE bits are one. The drive will still perform data recovery actions within the limits defined by the Read Retry Count, Write Retry Count, and Recovery Time Limit parameters. However, the drive does not report any unrecovered errors.

**Table 5 Read and write retry count maximum recovery times [1]**

<b>READ RETRY COUNT</b>	<b>MAXIMUM RECOVERY TIME PER LBA (CUMULATIVE, MSEC)</b>	<b>WRITE RETRY COUNT</b>	<b>MAXIMUM RECOVERY TIME PER LBA (CUMULATIVE, MSEC)</b>
0	51.87	0	23.94
1	59.85	1	35.91
2	203.49	2	39.9
3	231.42	3	51.87
4	295.26	4	79.8
5	327.18	5 (default)	107.73
6	359.10		
7	446.88		
8	538.65		
9	570.57		
10	598.50		
11 (default)	1,534.97		

[1] These values are subject to change.

Setting these retry counts to a value below the default setting could result in an increased unrecovered error rate which may exceed the value given in this product manual. A setting of zero (0) will result in the drive not performing error recovery.

For example, suppose the Read/Write Recovery page has the RC bit set to 0, read retry count set to 4, and the recovery time limit field (Mode Sense page 01, bytes 10 and 11) set to FF FF hex (maximum). A four LBA Read command is allowed to take up to 253.11 msec recovery time for each of the four LBAs in the command. If the recovery time limit is set to 00 C8 hex (200 msec decimal) a four LBA read command is allowed to take up to 200 msec for all error recovery within that command. The use of the Recovery Time Limit field allows finer granularity on control of the time spent in error recovery. The recovery time limit only starts counting when the drive is executing error recovery and it restarts on each command. Therefore, each command's total recovery time is subject to the recovery time limit. Note: A recovery time limit of 0 will use the drive's default value of FF FF. Minimum recovery time limit is achieved by setting the Recovery Time Limit field to 00 01.

### **9.3 FC-AL SYSTEM ERRORS**

Information on the reporting of operational errors or faults across the interface is given in the *Fibre Channel Interface Manual*. The FCP Response returns information to the host about numerous kinds of errors or faults. The Receive Diagnostic Results reports the results of diagnostic operations performed by the drive.

Status returned by the drive to the initiator is described in the *Fibre Channel Interface Manual*. Status reporting plays a role in systems error management and its use in that respect is described in sections where the various commands are discussed.



## 9.4 BACKGROUND MEDIA SCAN

Background Media Scan (BMS) is a self-initiated media scan. BMS is defined in the T10 document SPC-4 available from the T10 committee. BMS performs sequential reads across the entire pack of the media while the drive is idle. In RAID arrays, BMS allows hot spare drives to be scanned for defects prior to being put into service by the host system. On regular duty drives, if the host system makes use of the BMS Log Page, it can avoid placing data in suspect locations on the media. Unreadable and recovered error sites will be logged or reallocated per ARRE/AWRE settings.

With BMS, the host system can consume less power and system overhead by only checking BMS status and results rather than tying up the bus and consuming power in the process of host-initiated media scanning activity.

Since the background scan functions are only done during idle periods, BMS causes a negligible impact to system performance. The first BMS scan for a newly manufactured drive is performed as quickly as possible to verify the media and protect data by setting the “Start time after idle” to 5ms, all subsequent scans begin after 500ms of idle time. Other features that normally use idle time to function will function normally because BMS functions for bursts of 800ms and then suspends activity for 100ms to allow other background functions to operate.

BMS interrupts immediately to service host commands from the interface bus while performing reads. BMS will complete any BMS-initiated error recovery prior to returning to service host-initiated commands. Overhead associated with a return to host-servicing activity from BMS only impacts the first command that interrupted BMS, this results in a typical delay of about 1 ms.

## 9.5 MEDIA PRE-SCAN

Media Pre-Scan is a feature that allows the drive to repair media errors that would otherwise have been found by the host system during critical data accesses early in the drive’s life. The default setting for Media Pre-Scan is enabled on standard products. Media Pre-Scan checks each write command to determine if the destination LBAs have been scanned by BMS. If the LBAs have been verified, the drive proceeds with the normal write command. If the LBAs have not been verified by BMS, Pre-Scan will convert the write to a write verify to certify that the data was properly written to the disk.

**Note.** During Pre-Scan write verify commands, write performance may decrease by 50% until Pre-Scan completes. Write performance testing should be performed after Pre-Scan is complete. This may be checked by reading the BMS status.

To expedite the scan of the full pack and subsequently exit from the Pre-Scan period, BMS will begin scanning immediately when the drive goes to idle during the Pre-Scan period. In the event that the drive is in a high transaction traffic environment and is unable to complete a BMS scan within 24 power on hours BMS will disable Pre-Scan to restore full performance to the system.

## 9.6 DEFERRED AUTO-REALLOCATION

Deferred Auto-Reallocation (DAR) simplifies reallocation algorithms at the system level by allowing the drive to reallocate unreadable locations on a subsequent write command. Sites are marked for DAR during read operations performed by the drive. When a write command is received for an LBA marked for DAR, the auto-reallocation process is invoked and attempts to rewrite the data to the original location. If a verification of this rewrite fails, the sector is re-mapped to a spare location.

This is in contrast to the system having to use the Reassign Command to reassign a location that was unreadable and then generate a write command to rewrite the data. DAR is most effective when AWRE and ARRE are enabled—this is the default setting from the Seagate factory. With AWRE and ARRE disabled DAR is unable to reallocate the failing location and will report an error sense code indicating that a write command is being attempted to a previously failing location.

## 9.7 IDLE READ AFTER WRITE

Idle Read After Write (IRAW) utilizes idle time to verify the integrity of recently written data. During idle periods, no active system requests, the drive reads recently written data from the media and compares it to valid write command data resident in the drives data buffer. Any sectors that fail the comparison result in the invocation of a rewrite and auto-reallocation process. The process attempts to rewrite the data to the original location. If a verification of this rewrite fails, the sector is re-mapped to a spare location.

## 10.0 INSTALLATION

Cheetah 15K.7 FC disk drive installation is a plug-and-play process. There are no jumpers, switches, or terminators on the drive. Simply plug the drive into the host's 40-pin Fibre Channel backpanel connector (FC-SCA)—no cables are required. See Section 11.5 for additional information about this connector.

Use the FC-AL interface to select drive ID and all option configurations for devices on the loop.

If multiple devices are on the same FC-AL and physical addresses are used, set the device selection IDs (SEL IDs) on the backpanel so that no two devices have the same selection ID. This is called the hard assigned arbitrated loop physical address (AL\_PA). There are 125 AL\_PAs available (see Table 27). If you set the AL\_PA on the backpanel to any value other than 0, the device plugged into the backpanel's SCA connector inherits this AL\_PA. In the event you don't successfully assign unique hard addresses (and therefore have duplicate selection IDs assigned to two or more devices), the FC-AL generates a message indicating this condition. If you set the AL\_PA on the backpanel to a value of 0, the system issues a unique soft-assigned physical address automatically.

Loop initialization is the process used to verify or obtain an address. The loop initialization process is performed when power is applied to the drive, when a device is added or removed from the Fibre Channel loop, or when a device times out attempting to win arbitration.

- Set all option selections in the connector prior to applying power to the drive. If you change options after applying power to the drive, recycle the drive power to activate the new settings.
- It is not necessary to low-level format this drive. The drive is shipped from the factory low-level formatted in 512-byte logical blocks. You need to reformat the drive only if you want to select a different logical block size.

### 10.1 DRIVE ID/OPTION SELECTION

All drive options are made through the interface connector (J1). Table 24 provides the pin descriptions for the 40-pin Fibre Channel single connector (J1).

### 10.2 DRIVE ORIENTATION

The drive may be mounted in any orientation. All drive performance characterizations, however, have been done with the drive in horizontal (discs level) and vertical (drive on its side) orientations, which are the two preferred mounting orientations.

### 10.3 COOLING

The host enclosure must dissipate heat from the drive. You should confirm that the host enclosure is designed to ensure that the drive operates within the temperature measurement guidelines described in Section 6.4.1. In some cases, forced airflow may be required to keep temperatures at or below the temperatures specified in Section 6.4.1.

If forced air is necessary, possible air-flow patterns are shown in Figure 11. The air-flow patterns are created by fans either forcing or drawing air as shown in the illustrations. Conduction, convection, or other forced air-flow patterns are acceptable as long as the temperature measurement guidelines of Section 6.4.1 are met.

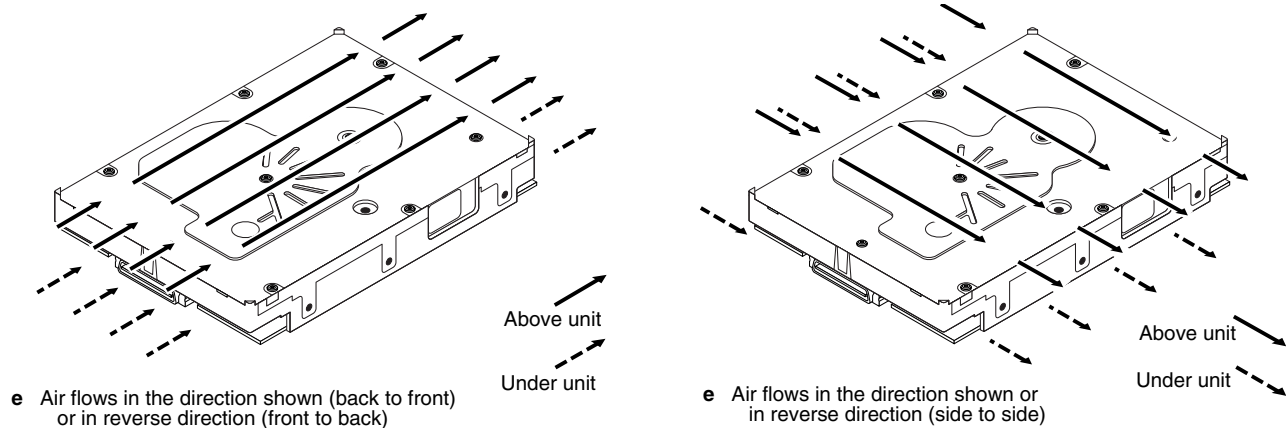


Figure 11. Air flow

## 10.4 DRIVE MOUNTING

Mount the drive using the bottom or side mounting holes. If you mount the drive using the bottom holes, ensure that you do not physically distort the drive by attempting to mount it on a stiff, non-flat surface.

The allowable mounting surface stiffness is 80 lb/in (14.0 N/mm). The following equation and paragraph define the allowable mounting surface stiffness:

$$K \times X = F \leq 15\text{lb} = 67\text{N}$$

where K is the mounting surface stiffness (units in lb/in or N/mm) and X is the out-of-plane surface distortion (units in inches or millimeters). The out-of-plane distortion (X) is determined by defining a plane with three of the four mounting points fixed and evaluating the out-of-plane deflection of the fourth mounting point when a known force (F) is applied to the fourth point.

**Note.** Before mounting the drive in any kind of 3.5-inch to 5.25-inch adapter frame, verify with Seagate Technology that the drive can meet the shock and vibration specifications given herein while mounted in such an adapter frame. Adapter frames that are available may not have a mechanical structure capable of mounting the drive so that it can meet the shock and vibration specifications listed in this manual.

## 10.5 GROUNDING

Signal ground (PCBA) and HDA ground are connected together in the drive and cannot be separated by the user. The equipment in which the drive is mounted is connected directly to the HDA and PCBA with no electrically isolating shock mounts. If it is desired for the system chassis to not be connected to the HDA/PCBA ground, the systems integrator or user must provide a nonconductive (electrically isolating) method of mounting the drive in the host equipment.

Increased radiated emissions may result if you do not provide the maximum surface area ground connection between system ground and drive ground. This is the system designer's and integrator's responsibility.

## 11.0 INTERFACE REQUIREMENTS

This section partially describes the interface requirements as implemented on Cheetah 15K.7 FC drives. Additional information is provided in the *Fibre Channel Interface Manual* (part number 100293070).

### 11.1 FC-AL FEATURES

This section lists the Fibre Channel-specific features supported by Cheetah 15K.7 FC drives.

#### 11.1.1 Fibre Channel link service frames

Table 6 lists the link services supported by Cheetah 15K.7 FC drives.

**Table 6** *Link services supported*

TYPE OF FRAME	LINK SERVICE
Basic link service frames	Abort Sequence (ABTS)
Basic link service reply frames	Basic_Accept (BA_ACC) Basic_Reject (BA_RJT)
Extended link service frames	N_Port Login (PLOGI) Fabric Login (FLOGI) Logout (LOGO) Process Login (PRLI) Process Logout (PRLO) Read Link Status (RLS) Fabric Address Notification (FAN) Port Discovery (PDISC) Address Discovery (ADISC) Third-party Process Logout (TRPLO)
Extended link service reply frames	Accept (ACC) Link Service Reject (LS_RJT)
Fibre Channel Services	Register FC-4 Types (RFT_ID)

### 11.1.2 Fibre Channel task management functions

Table 7 lists the Fibre Channel SCSI Fibre Channel Protocol (FC SCSI FCP) task management functions supported.

**Table 7** *Fibre Channel SCSI FCP task management functions*

<b>TASK NAME</b>	<b>SUPPORTED</b>
Terminate task	No
Clear ACA	Yes
Target reset	Yes
Clear task set	Yes
Abort task set	Yes

### 11.1.3 Fibre Channel task management responses

Table 8 lists the FC SCSI FCP response codes returned for task management functions supported.

**Table 8** *FC SCSI FCP response codes*

<b>FUNCTION NAME</b>	<b>RESPONSE CODE</b>
Function complete	00
Function not supported	04
Function reject	05

### 11.1.4 Fibre Channel port login

Table 9 identifies the required content of the N\_Port Login (PLOGI) payload from an initiator.

**Table 9 N\_Port login (PLOGI) payload**

BYTES																	
0-15	03	00	00	00	09	09	BB	BB	CF	XX	FS	FS	XX	XX	XX	XX	Common
16-31	XX	XX	XX	XX	PN	PN	PN	PN	PN	PN	PN	PN	NN	NN	NN	NN	
32-35	NN	NN	NN	NN													
36-47					XX	XX	XX	XX	XX	XX	XX	XX	XX	XX	XX	XX	Class 1
48-51	XX	XX	XX	XX													
52-63					XX	XX	XX	XX	XX	XX	XX	XX	XX	XX	XX	XX	Class 2
64-67	XX	XX	XX	XX													
68-79					SO	SO	IC	IC	XX	XX	FS	FS	XX	CS	XX	XX	Class 3
80-83	OS	OS	XX	XX													
84-95					XX	XX	XX	XX	XX	XX	XX	XX	XX	XX	XX	XX	Reserved
96-99	XX	XX	XX	XX													
100-111					XX	XX	XX	XX	XX	XX	XX	XX	XX	XX	XX	XX	Vendor
112-115	XX	XX	XX	XX													Version

X Indicates a four-bit (hex) field is not checked.

x Indicates a single bit is not checked.

BB BB-Credit. This field is not checked. The FC-AL drive uses BB-Credit of zero (0).

CF Common features. This binary field selects the common features requested by the initiator login.

MSB	Continuously increasing offset	Must = 1
	Random relative offset	Not checked. Port Login Accept will return a 0—not supported.
	Valid version level	x
	N_Port/F_Port	Must = 0, N_Port
	Alternate credit model	Must = 1
	Other bits reserved	xxx XX

FS Receive buffer field size. The FS field in the common and Class 3 parameters is checked for the range 128 < FS < 2,112 and a multiple of four bytes. For multiple frame sequences, all frames but the last frame of the sequence must be this size. Only the receive buffer field size in the Class 3 parameters is used.

PN Port name (initiator's)—saved with the login parameters. If a change of the port name/AL\_PA address association is detected during a Port DISCOVERY, and implicit logout occurs and the initiator returns a LS\_RJT.

NN Node name. The node name is not checked or saved by the drive.

SO Service options Class 3 only.

MSB	Class valid	Must = 1
	Intermix	x
	Stacked connection req.	xx
	Sequential delivery	x
	Other bits reserved	xxx XX

IC Initiator control

MSB	XID reassign	xx
	Proc Assc	10 or 11 causes the login to be rejected. Other values are accepted.
	Other bits	XXX

CS Concurrent sequences Must be a value greater than 0.

OS Open sequences per exchange Must be a value greater than 0.

### 11.1.5 Fibre Channel port login accept

Table 10 identifies the N\_Port Login access payload values.

**Table 10 N\_Port Login Accept (ACC) payload**

BYTES																	
0-15	02	00	00	00	09	09	00	00	88	00	FS	FS	00	FF	00	01	Common
16-31	00	00	01	F4	2P	00	CC	CC	CC	UI	UI	UI	20	00	CC	CC	
32-35	CC	UI	UI	UI													
36-47					00	00	00	00	00	00	00	00	00	00	00	00	Class 1
48-51	00	00	00	00													
52-63					00	00	00	00	00	00	00	00	00	00	00	00	Class 2
64-67	00	00	00	00													
68-79					80	00	00	00	00	00	FS	FS	00	FF	00	00	Class 3
80-83	00	01	00	00													
84-95					00	00	00	00	00	00	00	00	00	00	00	00	Reserved
96-99	00	00	00	00													
100-111					00	00	00	00	00	00	00	00	00	00	00	00	Vendor -
112-115	00	00	00	00													Version

**Table 3:**

CC	Bytes (22, 23 and 24) and (30, 31 and 32) are currently factory set to 00 04 CF respectively (subject to change).	
FS	Receive buffer field size. The drive returns and uses the receive buffer size from the N_Port Login Class 3 receive buffer.	
UI	Unique identifier. This 24-bit field is uniquely assigned to the drive. This same UI appears in the Port Name and Node Name fields.	
P	Byte port identifier field.	
	0	P_LOGI received on Node.
	1	P_LOGI received on Port A.
	2	P_LOGI received on Port B.

### 11.1.6 Fibre Channel Process Login

Table 11 lists the process login payload data.

**Table 11 Process Login (PLRI) payload**

BYTES																	
0-15	20	10	00	14	08	00	20	00	XX	XX	XX	XX	XX	XX	XX	XX	XX
16-19	00	00	00	22													

XXIndicates fields that are not used.

### 11.1.7 Fibre Channel Process Login Accept

Table 12 lists Cheetah 15K.7 FC process login accept payload data.

**Table 12 Process Login Accept (ACC) payload**

BYTES																	
0-15	02	10	00	14	08	00	21	00	00	00	00	00	00	00	00	00	00
16-31	00	00	00	12													

### 11.1.8 Fibre Channel fabric login

Table 13 lists the fabric login payload from the drive.

**Table 13 Fabric Login (FLOGI) payload**

BYTES																		
0-15	04	00	00	00	09	09	00	00	08	00	08	40	00	00	00	00	00	Common
16-31	00	00	02	F4	2P	00	CC	CC	CC	UI	UI	UI	02	00	CC	CC		
32-35	CC	UI	UI	UI														
36-47					00	00	00	00	00	00	00	00	00	00	00	00	00	Class 1
48-51	00	00	00	00														
52-63					00	00	00	00	00	00	00	00	00	00	00	00	00	Class 2
64-67	00	00	00	00														
68-79					80	00	00	00	00	00	08	40	00	00	00	00	00	Class 3
80-83	00	00	00	00														
84-95					00	00	00	00	00	00	00	00	00	00	00	00	00	Reserved
96-99	00	00	00	00														
100-111					00	00	00	00	00	00	00	00	00	00	00	00	00	Vendor -
112-115	00	00	00	00														Version

CC Bytes (22, 23 and 24) and (30, 31 and 32) are currently factory set to 00 04 CF respectively (subject to change).

UI Unique identifier. This 24-bit field is uniquely assigned to the drive. This same UI appears in the Port Name and Node Name fields.

P Port identifier field.

1 FLOGI originated on Port A.

2 FLOGI originated on Port B.



### 11.1.9 Fibre Channel fabric accept login

Table 14 lists the required content of the Fabric Login Accept (ACC) payload from the fabric.

**Table 14 Fabric Login Accept (ACC) payload**

BYTES																	
0-15	02	00	00	00	09	09	BB	BB	CF	XX	FS	FS	R_	A_	T0	V_	Common
16-31	E_	D_	T0	V_	PN	PN	PN	PN	PN	PN	PN	PN	NN	NN	NN	NN	
32-35	NN	NN	NN	NN													
36-47					XX	XX	XX	XX	XX	XX	XX	XX	XX	XX	XX	XX	Class 1
48-51	XX	XX	XX	XX													
52-63					XX	XX	XX	XX	XX	XX	XX	XX	XX	XX	XX	XX	Class 2
64-67	XX	XX	XX	XX													
68-79					SO	SO	xx	xx	XX	XX	FS	FS	XX	xx	XX	XX	Class 3
80-83	OS	OS	XX	XX													
84-95					XX	XX	XX	XX	XX	XX	XX	XX	XX	XX	XX	XX	Reserved
96-99	XX	XX	XX	XX													
100-111					XX	XX	XX	XX	XX	XX	XX	XX	XX	XX	XX	XX	Vendor -
112-115	XX	XX	XX	XX													Version

X Indicates a four-bit (hex) field is not checked.

x Indicates a single bit is not checked.

BB BB-Credit. This field is not checked. The FC-AL drive uses BB-Credit of zero (0).

CF Common features. This binary field selects the common features requested by the fabric login.

MSB	Continuously increasing offset	x
	Random relative offset	x
	Valid version level	x
	N_Port/F_Port	Must = 1, F_Port
	Alternate credit model	Must = 1
	Other bits reserved	xxx XX

FS Receive buffer field size. The FS field in the common and Class 3 parameters is checked for the range  $128 < FS < 2,112$  and a multiple of four bytes. The receive buffer field size in the Class 3 parameters is used. The drive uses the lower FS of Fabric Login Accept or N\_Port Login when sending frames to an initiator.

PN Port Name. The fabric port name is saved with the login parameters. If a change of the port name is detected during a FAN, an implicit logout occurs and a LS\_RJT is returned to the fabric.

NN Node Name. The drive does not check or save the node name.

SO Service Options—Class 3 only.

MSB	Class valid	Must = 1
	Intermix	x
	Stacked connection req.	xx
	Sequential delivery	Must = 1
	Other bits reserved	xxx XX

### 11.1.10 Fibre Channel Arbitrated Loop options

Table 15 lists the FC-AL options supported by Cheetah 15K.7 FC drives.

**Table 15 FC-AL options supported**

OPTION	SUPPORTED
OPEN Half Duplex	Accepted from another device.
OPEN Full Duplex	Sent to open another device. Accepted from another device.
Private Loop	Yes
Public Loop	Yes
Old Port State	No
Loop Position	Yes
Loop Position Report	Yes

## 11.2 DUAL PORT SUPPORT

Cheetah 15K.7 FC drives have two independent FC-AL ports. These ports may be connected on independent loops or on the same loop. Port A and Port B may be connected in any order or combination.

- If both ports are connected on independent loops and hard addressing is used, the drive interface address is selected through the interface connector, both ports will seek the same loop address. If no conflict, both ports will have the same loop address.
- If both ports are connected in the same loop and hard addressing is used, at least one port will attempt taking a soft address to prevent an address conflict.

**Note.** When a Cheetah 15K.7 FC drive is connected in loops with previous Seagate FC drive products:

Barracuda 4LP FC (ST32171FC, ST34371FC, and ST34571FC)  
Barracuda 9FC (ST19171FC)  
Cheetah 4LP FC (ST34501FC)  
Cheetah 9FC (ST19101FC)

the connection of Port A and B for these products must follow the requirements in their product manuals.

Subject to buffer availability, the Cheetah 15K.7 FC drives support:

- Concurrent port transfers—The drive supports receiving transfers on both ports at the same time when the ports are on independent loops.
- Full duplex—The drive supports sending FCP\_Data, FCP\_RSP, FCP\_XFR\_RDY and ELS transfers while receiving frames on both ports.

## 11.3 SCSI COMMANDS SUPPORTED

Table 16 lists the SCSI commands supported by Cheetah 15K.7 FC drives.

**Table 16 Supported commands**

Command code	Supported (Y/N) [4]	Command name	Executable state of standard SCSI commands in the presence of LBA banding (applies to SED models only)			
			Affects entire Drive (Y/N)	User Data Accessed (Y/N)	Affected LBA Unlocked ReadLock=Write Lock=False	Affected LBA Locked ReadLock=Write Lock=True
00h	Y	Test unit ready	Y	N	Executable	Executable
01h	Y	Rezero unit	Y	N	Executable	Executable
03h	Y	Request sense	Y	N	Executable	Executable
	Y	Extended sense				
	Y	Field pointer bytes				
	Y	Actual retry count bytes				
04h	Y	Format unit [1]	Y	Y	Executable	Check Condition
07h	Y	Reassign blocks	N	Y	Executable	Check Condition
08h	Y	Read	N	Y	Executable	Check Condition
0Ah	Y	Write	N	Y	Executable	Check Condition
0Bh	Y	Seek	N	N	Executable	Executable
12h	Y	Inquiry	Y	N	Executable	Executable
	Y	Vital product data page (00h)				
	Y	Unit serial number page (80h)				
	Y	Implemented operating def. page (81h)				
	Y	Device Identification page (83h)				
	Y	Firmware numbers page (C0h)				
	Y	Date code page (C1h)				
	Y	Jumper settings page (C2h)				
	Y	Device Behavior page (C3h)				
15h	Y	Mode select (same pages as Mode Sense command shown below) [3]	Y	N	Executable	Executable
16h	Y	Reserve	Y	N	Executable	Executable
	N	3rd party reserved				
	N	Extent reservation				
17h	Y	Release	Y	N	Executable	Executable
18h	N	Copy				
1Ah	Y	Mode sense	Y	N	Executable	Executable
	Y	Unit attention page (00h)				
	Y	Error recovery page (01h)				
	Y	Disconnect/reconnect control (page 02h)				
	Y	Format page (03h)				
	Y	Rigid disk drive geometry page (04h)				
	Y	Verify error recovery page (07h)				
	Y	Caching parameters page (08h)				
	Y	Control mode page (0Ah)				
Y	Fibre Channel Interface Control page (19h)					
	Y	Power control page (1Ah)				

**Table 16 Supported commands (continued)**

Command code	Supported (Y/N) [4]	Command name	Executable state of standard SCSI commands in the presence of LBA banding (applies to SED models only)			
			Affects entire Drive (Y/N)	User Data Accessed (Y/N)	Affected LBA Unlocked ReadLock=Write Lock=False	Affected LBA Locked ReadLock=Write Lock=True
	Y	Information exceptions control page (1Ch)				
	Y	Background Scan mode subpage (01h)				
1Bh	Y	Start unit/stop unit	Y	Y	Executable	Executable
1Ch	Y	Receive diagnostic results	Y	N	Executable	Executable
	Y	Supported diagnostics pages				
	Y	Translate page				
	Y	Enclosure services page				
1Dh	Y	Send diagnostics page	Y	N	Executable	Executable
	Y	Supported diagnostics pages				
	Y	Translate page				
25h	Y	Read capacity	Y	N	Executable	Executable
28h	Y	Read extended				
	Y	Disable page out				
	Y	Force unit access				
	N	Relative address				
2Ah	Y	Write extended				
	Y	Disable page out				
	Y	Force unit access				
	N	Relative address				
2Bh	Y	Seek extended				
2Eh	Y	Write and verify	N	Y	Executable	Check Condition
	Y	Disable page out				
	Y	Byte check				
	N	Relative address				
2Fh	Y	Verify (10) (BYTCHK = 0)	N	Y	Executable	Executable
	Y	Verify (10) (BYTCHK = 1)	N	Y	Executable	Check Condition
	Y	Disable page out				
	Y	Byte check				
	N	Relative address				
30h	N	Search data high				
31h	N	Search data equal				
32h	N	Search data low				
33h	N	Set limits				
34h	N	Prefetch	N	Y	Executable	Check Condition
35h	Y	Synchronize cache	N	Y	Executable	Executable
36h	N	Lock-unlock-cache				
37h	Y	Read defect data	Y	N	Executable	Executable
39h	N	Compare				
3Ah	N	Copy and verify				
3Bh	Y	Write buffer	N	Y	Check Condition	Check Condition
			(all modes except modes 4h - 7h, 0Eh, and 0Fh)			
			Y	N	Executable	Executable
			(modes 4h - 7h, 0Eh, and 0Fh)			

**Table 16 Supported commands (continued)**

Command code	Supported (Y/N) [4]	Command name	Executable state of standard SCSI commands in the presence of LBA banding (applies to SED models only)			
			Affects entire Drive (Y/N)	User Data Accessed (Y/N)	Affected LBA Unlocked ReadLock=Write Lock=False	Affected LBA Locked ReadLock=Write Lock=True
	Y	Write combined header and data mode (0)				
	Y	Write data mode (2)				
	N	Download microcode mode (4)				
	Y	Download microcode and save modes (5)				
	N	Download microcode with offsets mode (6)				
	Y	Download microcode with offsets and save mode (7)				
	Y	Firmware download option [2]				
3Ch	Y	Read buffer (Mode 1Ch -- Error Retrieval Mode)	Y	N	Executable	Executable
3Ch	Y	Read buffer	Y	N	Check Condition	Check Condition
	Y	Read combined header and data mode (0)				
	Y	Read data mode (2)				
	Y	Read descriptor mode (3)				
3Eh	Y	Read long	N	Y	Check Condition	Check Condition
3Fh	Y	Write long (10) (WR_UNCOR = 0)	N	Y	Check Condition	Check Condition
		Write long (10) (WR_UNCOR = 1)	N	Y	Executable	Check Condition
40h	N	Change definition	Y	N	Executable	Check Condition
41h	Y	Write same (10)	N	Y	Executable	Check Condition
	N	PBdata				
	N	LBdata				
42-4Bh	N	Not used				
4Ch	Y	Log Select	Y	N	Executable	Executable
4Dh	Y	Log Sense	Y	N	Executable	Executable
	Y	Support Log page (00h)				
	Y	Write Error Counter page (02h)				
	Y	Read Error Counter page (03h)				
	N	Read Reverse Error Counter page (04h)				
	Y	Verify Error Counter page (05h)				
	Y	Non-medium Error Counter page (06h)				
	Y	Temperature page (0Dh)				
	N	Application Client page (0Fh)				
	Y	Self Test Results page (10h)				
	Y	Background Medium Scan page (15h)				
	Y	Cache Statistics Counter page (37h)				
	Y	Factory Log page (3Eh)				
4E-4Fh	N	Not used				
50h	N	XD write				
51h	N	XP write				
52h	N	XD read				

**Table 16 Supported commands (continued)**

Command code	Supported (Y/N) [4]	Command name	Executable state of standard SCSI commands in the presence of LBA banding (applies to SED models only)			
			Affects entire Drive (Y/N)	User Data Accessed (Y/N)	Affected LBA Unlocked ReadLock=Write Lock=False	Affected LBA Locked ReadLock=Write Lock=True
53-54h	N	Not used				
55h	Y	Mode Select (10) [3]				
56h	Y	Reserved (10)				
	Y	3rd party reserve				
	N	Extent reservation				
57h	Y	Released (10)				
58-59h	N	Not used				
5Ah	Y	Mode Sense (10) [3]				
5B-5Dh	N	Not used				
5E	A	Persistent reserve in	Y	N	Executable	Executable
5F	A	Persistent reserve out	Y	N	Executable	Executable
60-7Eh	N	Not used				
7Fh	Y (PI only)	Write Same (32)	N	Y	Executable	Check Condition
7Fh	Y (PI only)	Verify (32) (BYTCHK = 0)	N	Y	Executable	Executable
7Fh	Y (PI only)	Verify (32) (BYTCHK = 1)	N	Y	Executable	Check Condition
80h	N	XD write extended				
81h	N	Rebuild				
82h	N	Regenerate				
83-8Eh	N	Not used				
8Fh	Y (PI only)	Verify (16) (BYTCHK = 0)	N	Y	Executable	Executable
8Fh	Y (PI only)	Verify (16) (BYTCHK = 1)	N	Y	Executable	Check Condition
93h	Y (PI only)	Write same (16)	N	Y	Executable	Check Condition
A0h	Y	Report LUNS	Y	N	Executable	Executable
A2h	Y (SED only)	Security Protocol In	Y	N	Executable	Executable
A3h	Y (SED only)	Report Device Identifier	Y	N	Executable	Executable
B5h	Y (SED only)	Security Protocol Out	Y	N	Executable	Executable
C0-DFh	N	Not used				
EO-FFh	N	Not used				

[1] Cheetah 15K.7 FC drives can format to 512, 520, 524 or 528 bytes per logical block.

[2] **Warning.** Power loss during flash programming can result in firmware corruption. This usually makes the drive inoperable.

[3] Reference Mode Sense command 1Ah for mode pages supported.

[4] Y = Yes. Command is supported.

N = No. Command is not supported.

A = Support is available on special request.

### 11.3.1 Inquiry data

Table 17 lists the Inquiry command data that the drive should return to the initiator per the format given in the *Fibre Channel Interface Manual*.

**Table 17 Cheetah 15K.7 FC inquiry data**

BYTES	DATA (HEX)																
0-15	00	00	xx**	12	8B	00	PP	02	53	45	41	47	41	54	45	20	Vendor ID
16-31	[53	54	33	36	30	30	30	35	37	46	43] <sup>1</sup>	20	20	20	20	20	Product ID
32-47	R#	R#	R#	R#	S#	S#	S#	S#	S#	S#	S#	S#	00	00	00	00	
48-63	00	00	00	00	00	00	00	00	00	00	00	00	00	00	00	00	
64-79	00	00	00	00	00	00	00	00	00	00	00	00	00	00	00	00	
80-95	00	00	00	00	00	00	00	00	00	00	00	00	00	00	00	00	
96-111	00	43	6F	70	79	72	69	67	68	74	20	28	63	29	20	32*	*Copyright
112-127	30*	30*	39*	20	53	65	61	67	61	74	65	20	41	6C	6C	20	notice
128-143	72	69	67	68	74	73	20	72	65	73	65	72	76	65	64	20	

\* Copyright year (changes with actual year).

\*\* SCSI Revision support. Refer to the SPC release documentation for definitions.

PP 50 = Inquiry data for an Inquiry command received on Port A.

70 = Inquiry data for an Inquiry command received on Port B.

R# Four ASCII digits representing the last four digits of the product firmware release number.

S# Eight ASCII digits representing the eight digits of the product serial number.

[ ] Bytes 18 through 26 reflect model of drive in hex format.

### 11.3.2 Mode Sense data

The Mode Sense command provides a way for the drive to report its operating parameters to the initiator. The drive maintains four sets of mode parameters:

#### 1. Default values

Default values are hard-coded in the drive firmware stored in flash E-PROM (nonvolatile memory) on the drive's PCB. These default values can be changed only by downloading a complete set of new firmware into the flash E-PROM. An initiator can request and receive from the drive a list of default values and use those in a Mode Select command to set up new current and saved values, where the values are changeable.

#### 2. Saved values

Saved values are stored on the drive's media using a Mode Select command. Only parameter values that are allowed to be changed can be changed by this method. Parameters in the saved values list that are not changeable by the Mode Select command get their values from default values storage.

When power is applied to the drive, it takes saved values from the media and stores them as current values in volatile memory. It is not possible to change the current values (or the saved values) with a Mode Select command before the drive achieves operating speed and is "ready." An attempt to do so results in a "Check Condition" status.

On drives requiring unique saved values, the required unique saved values are stored into the saved values storage location on the media prior to shipping the drive. Some drives may have unique firmware with unique default values also.

On standard OEM drives, the saved values are taken from the default values list and stored into the saved values storage location on the media prior to shipping.

#### 3. Current values

Current values are volatile values being used by the drive to control its operation. A Mode Select command can be used to change the values identified as changeable values. Originally, current values are installed from saved or default values after a power on reset, hard reset, or Bus Device Reset message.

#### 4. Changeable values

Changeable values form a bit mask, stored in nonvolatile memory, that dictates which of the current values and saved values can be changed by a Mode Select command. A one (1) indicates the value can be changed. A zero (0) indicates the value is not changeable. For example, in Table 18, refer to Mode page 81, in the row entitled "CHG." These are hex numbers representing the changeable values for Mode page 81. Note in columns 5 and 6 (bytes 04 and 05), there is 00h which indicates that in bytes 04 and 05 none of the bits are changeable. Note also that bytes 06, 07, 09, 10, and 11 are not changeable, because those fields are all zeros. In byte 02, hex value FF equates to the binary pattern 11111111. If there is a zero in any bit position in the field, it means that bit is not changeable. Since all of the bits in byte 02 are ones, all of these bits are changeable.

The changeable values list can only be changed by downloading new firmware into the flash E-PROM.

**Note.** Because there are often several different versions of drive control firmware in the total population of drives in the field, the Mode Sense values given in the following tables may not exactly match those of some drives.

The following tables list the values of the data bytes returned by the drive in response to the Mode Sense command pages for SCSI implementation (see the *Fibre Channel Interface Manual*).

Definitions:

SAV = Current saved value.

DEF = Default value. Standard OEM drives are shipped configured this way.

CHG = Changeable bits; indicates if default value is changeable.



**Table 18 Mode Sense data saved, default and changeable values for ST3600057FC drives**

MODE DATA HEADER:

00 be 00 10 00 00 00 08

MODE PAGES:

DEF 81 0a c0 0b ff 00 00 00 05 00 ff ff

CHG 81 0a ff ff 00 00 00 00 ff 00 ff ff

DEF 82 0e 80 80 00 00 00 00 00 01 3a 00 00 00 00

CHG 82 0e ff ff 00 00 00 00 00 ff ff 00 00 00 00

DEF 83 16 bb d0 00 00 00 00 03 80 04 c4 02 00 00 01 00 c0 00 4c 40 00 00 00

CHG 83 16 00

DEF 84 16 01 8a 9a 08 00 00 00 00 00 00 00 00 00 00 00 00 3a a7 00 00

CHG 84 16 00

DEF 87 0a 00 0b ff 00 00 00 00 ff ff

CHG 87 0a 0f ff 00 00 00 00 ff ff

DEF 88 12 14 00 ff ff 00 00 ff ff ff 80 20 00 00 00 00 00 00

CHG 88 12 a5 00 00 00 ff ff ff 00 00 20 00 00 00 00 00 00 00

DEF 8a 0a 02 00 00 00 00 00 00 19 00

CHG 8a 0a 03 f0 00 00 00 00 00 00 00

DEF 99 06 00 00 00 00 00 00

CHG 99 06 00 ff 00 00 00 00

DEF 9a 0a 00 02 00 00 00 05 00 00 8c a0

CHG 9a 0a 00 03 ff ff ff 00 00 00 00

DEF 9c 0a 10 00 00 00 00 00 00 00 01

CHG 9c 0a 9d 0f ff ff ff ff ff ff

DEF dc 01 00 0c 01 01 00 18 00 18 00 00 00 00 00 00

CHG dc 01 00 0c 00 01 ff ff ff 00 00 00 00 00 00

DEF 80 06 00 80 0f 00 00 00

CHG 80 06 b7 c0 8f 00 00 00

READ CAPACITY DATA:

READ BUFFER

0 1 2 3 4 5 6 7 8 9 A B C D E F ASCII

000000: 45 DD 2F AF 00 00 02 00 \_\_\_\_\_ E./....

**Table 19 Mode Sense data default and changeable values for ST3450857FC drives**

MODE DATA HEADER:  
00 be 00 10 00 00 00 08

BLOCK DESCRIPTOR:  
34 65 f8 70 00 00 02 00

MODE PAGES:

DEF 81 0a c0 0b ff 00 00 00 05 00 ff ff  
CHG 81 0a ff ff 00 00 00 00 ff 00 ff ff

DEF 82 0e 80 80 00 00 00 00 00 01 3a 00 00 00 00  
CHG 82 0e ff ff 00 00 00 00 00 ff ff 00 00 00 00

DEF 83 16 bb d0 00 00 00 03 80 04 c4 02 00 00 01 00 c0 00 4c 40 00 00 00  
CHG 83 16 00

DEF 84 16 01 8a 9a 06 00 00 00 00 00 00 00 00 00 00 00 00 00 00 00 00  
CHG 84 16 00

DEF 87 0a 00 0b ff 00 00 00 00 ff ff  
CHG 87 0a 0f ff 00 00 00 00 ff ff

DEF 88 12 14 00 ff ff 00 00 ff ff ff 80 20 00 00 00 00 00  
CHG 88 12 a5 00 00 00 ff ff ff 00 20 00 00 00 00 00 00

DEF 8a 0a 02 00 00 00 00 00 00 12 c0  
CHG 8a 0a 03 f0 00 00 00 00 00 00 00

DEF 99 06 00 00 00 00 00  
CHG 99 06 00 ff 00 00 00

DEF 9a 0a 00 02 00 00 00 05 00 00 8c a0  
CHG 9a 0a 00 03 ff ff ff 00 00 00

DEF 9c 0a 10 00 00 00 00 00 00 00 01  
CHG 9c 0a 9d 0f ff ff ff ff ff ff

DEF dc 01 00 0c 01 01 00 18 00 18 00 00 00 00 00  
CHG dc 01 00 0c 00 01 ff ff ff 00 00 00 00 00

DEF 80 06 00 80 0f 00 00 00  
CHG 80 06 b7 c0 8f 00 00 00

READ CAPACITY DATA:  
READ BUFFER

0 1 2 3 4 5 6 7 8 9 A B C D E F ASCII

000000: 34 65 F8 6F 00 00 02 00 \_\_\_\_\_

**Table 20 Mode Sense data default and changeable values for ST3300657FC drives**

MODE DATA HEADER:  
00 be 00 10 00 00 00 08

BLOCK DESCRIPTOR:  
22 ec b2 5c 00 00 02 00

MODE PAGES:

DEF 81 0a c0 0b ff 00 00 00 05 00 ff ff  
CHG 81 0a ff ff 00 00 00 00 ff 00 ff ff

DEF 82 0e 80 80 00 00 00 00 00 01 3a 00 00 00 00  
CHG 82 0e ff ff 00 00 00 00 00 ff ff 00 00 00 00

DEF 83 16 bb d0 00 00 00 03 80 04 c4 02 00 00 01 00 c0 00 4c 40 00 00 00  
CHG 83 16 00

DEF 84 16 01 8a 9a 04 00 00 00 00 00 00 00 00 00 00 00 00 3a a7 00 00  
CHG 84 16 00

DEF 87 0a 00 0b ff 00 00 00 00 ff ff  
CHG 87 0a 0f ff 00 00 00 00 ff ff

DEF 88 12 14 00 ff ff 00 00 ff ff ff 80 20 00 00 00 00 00  
CHG 88 12 a5 00 00 00 ff ff ff 00 20 00 00 00 00 00 00

DEF 8a 0a 02 00 00 00 00 00 0c 80  
CHG 8a 0a 03 f0 00 00 00 00 00 00

DEF 99 06 00 00 00 00 00  
CHG 99 06 00 ff 00 00 00

DEF 9a 0a 00 02 00 00 05 00 00 8c a0  
CHG 9a 0a 00 03 ff ff ff 00 00 00

DEF 9c 0a 10 00 00 00 00 00 00 01  
CHG 9c 0a 9d 0f ff ff ff ff ff ff

DEF dc 01 00 0c 01 01 00 18 00 18 00 00 00 00 00  
CHG dc 01 00 0c 00 01 ff ff ff 00 00 00 00 00

DEF 80 06 00 80 0f 00 00 00  
CHG 80 06 b7 c0 8f 00 00 00

READ CAPACITY DATA:  
READ BUFFER  
0 1 2 3 4 5 6 7 8 9 A B C D E F ASCII  
000000: 22 EC B2 5B 00 00 02 00 \_\_\_\_\_

## 11.4 MISCELLANEOUS OPERATING FEATURES AND CONDITIONS

Table 21 lists various features and conditions. A “Y” in the support column indicates the feature or condition is supported. An “N” in the support column indicates the feature or condition is not supported.

**Table 21 Miscellaneous features**

SUPPORTED	FEATURE OR CONDITION
Y	FC-AL selective reset (LIP Reset)
N	Automatic contingent allegiance
N	Asynchronous event notification
N	Synchronized (locked) spindle operation
Y	Segmented caching
N	Zero latency read
Y	Queue tagging (up to 128 queue tags supported)
Y	Deferred error handling
Y	Parameter rounding (controlled by Round bit in Mode Select page 0)
Y	Reporting actual retry count in Extended Sense bytes 15, 16, and 17
N	Adaptive caching
Y	SMP = 1 in Mode Select command needed to save RPL and rotational offset bytes

**Table 22 Miscellaneous status**

SUPPORTED	STATUS
Y	Good
Y	Check condition
Y	Condition met/good
Y	Busy
Y	Intermediate/good
Y	Intermediate/condition met/good
Y	Reservation conflict
Y	Task set full
N	ACA active
N	ACA active, faulted initiator

## 11.5 FC-AL PHYSICAL INTERFACE

Figure 12 shows the location of the J1 Fibre Channel single connection attachment (FC-SCA). Figure 14 provides the dimensions of the FC-SCA connector.

Details of the physical, electrical, and logical characteristics are provided within this section. The operational aspects of Seagate's Fibre Channel drives are provided in the *Fibre Channel Interface Manual*.

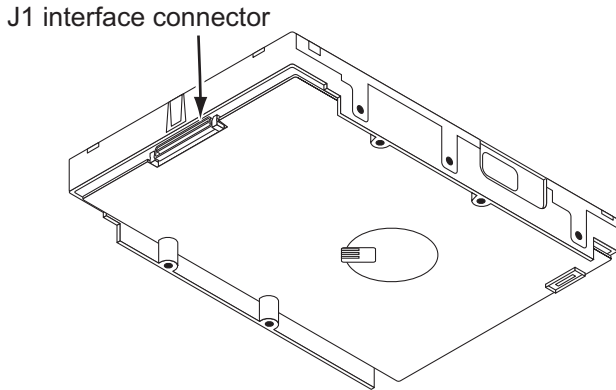


Figure 12. Physical interface

### 11.5.1 Physical characteristics

This section defines physical interface connector.

#### 11.5.1.1 Physical description

Fibre Channel drives may be connected in a loop together or with other compatible FC-AL devices. A maximum of 127 devices may have addresses; however, one of the addresses is reserved for a fabric port switch device. This means 126 addresses are available for FC-AL devices. More FC-AL compatible devices may physically reside on the loop, but they will not be functional because they would not be able to obtain valid addresses.

Port bypass circuits (PBCs) allow devices to be inserted into unpopulated locations or removed from the loop with loop operation recovery after a brief interruption. These PBCs are located external to the FC-AL device. Figure 13 shows the relationship between the PBC and FC-AL device.

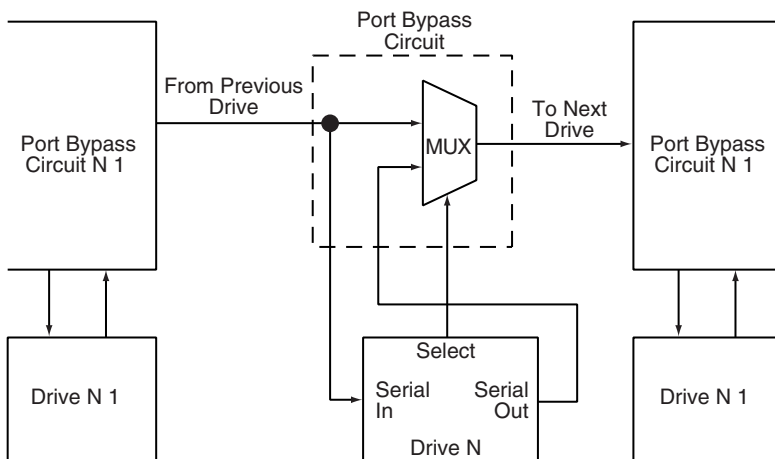


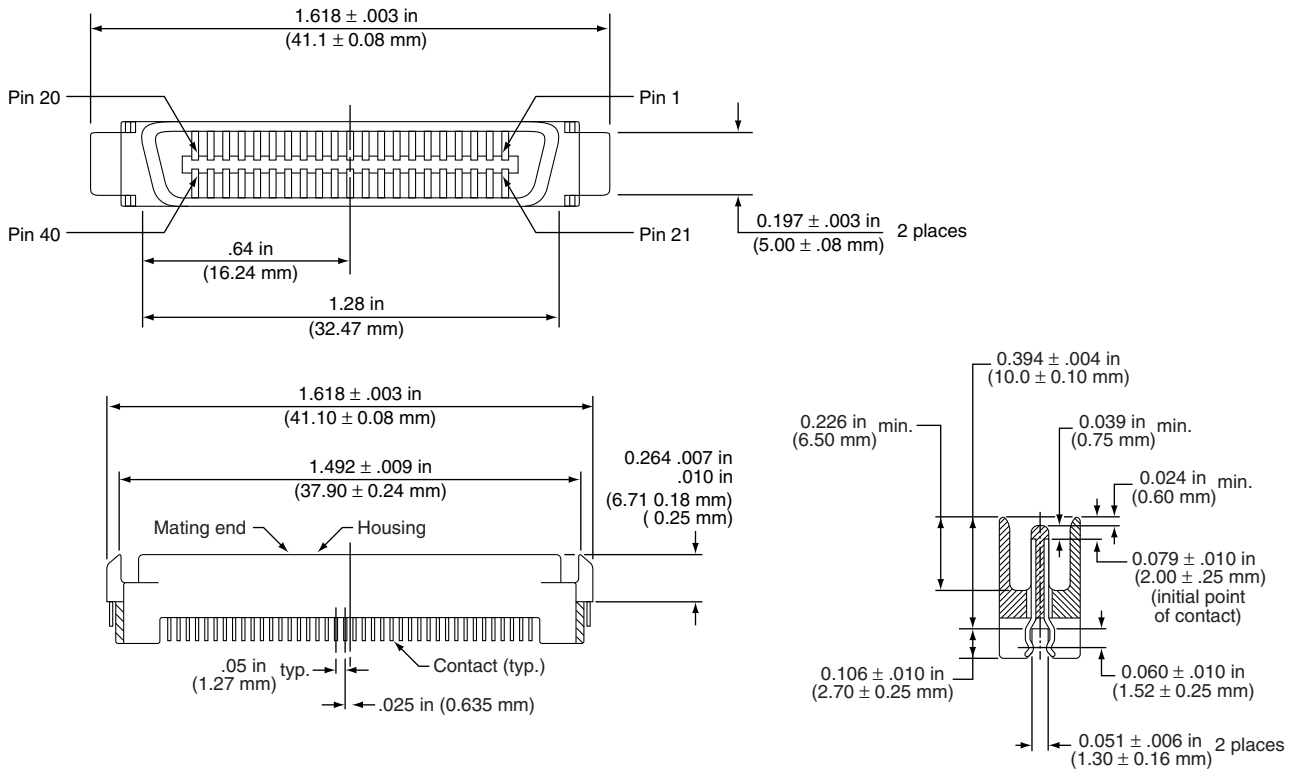
Figure 13. Port bypass circuit physical interconnect

## 11.5.2 Connector requirements

**Table 23 Recommended mating SCA part numbers**

PART DESCRIPTION	POSITIONS	PART NUMBER	FEATURES
AMP Vertical (SCA sequence)	40	787317-1	With polarization
Berg	40	71781	With polarization
Methode	40	512-220-91-101N	With polarization
Molex	40	717431040	With polarization

The FC-AL SCA device connector is illustrated in Figure 14.



**Figure 14. FC-AL SCA device connector dimensions**

### 11.5.3 Electrical description

Fibre Channel drives use the FC-SCA connector for:

- DC power
- FC-AL interface
- Drive select (device identification)
- Option selection
- Enclosure Services interface

This 40-pin connector is designed to plug directly into a backpanel. External cables are not required.

## 11.5.4 Pin descriptions

This section provides a pin-out of the FC-SCA and a description of the functions provided by the pins.

**Table 24 FC-SCA pin descriptions**

PIN	SIGNAL NAME	SIGNAL TYPE	PIN	SIGNAL NAME	SIGNAL TYPE
1*	-EN bypass port A	Low Voltage TTL output	21	12 Volts charge	
2*	12 Volts		22	Ground	
3*	12 Volts		23	Ground	
4*	12 Volts		24*	+Port A_in	FC Diff. input pair
5*	-Parallel ESI		25*	-Port A_in	
6*	Ground <sup>[1]</sup>		26	Ground	
7*	Active LED out	Open collector out	27*	+Port B_in	FC Diff. input pair
8*	Reserved		28*	-Port B_in	
9*	Start_1 <sup>[2]</sup>	TTL input	29	Ground	
10*	Start_2 <sup>[2]</sup>	TTL input	30*	+Port A_out	FC Diff. output pair
11*	-EN bypass port B	Low Voltage TTL output	31*	-Port A_out	
12*	SEL_6	TTL input/output	32	Ground	
13*	SEL_5	TTL input/output	33*	+Port B_out	FC Diff. output pair
14*	SEL_4	TTL input	34*	-Port B_out	
15*	SEL_3	TTL input/output	35	Ground	
16*	Fault LED out	Open collector out	36	SEL_2	TTL input/output
17*	DEV_CTRL_CODE_2 <sup>[2]</sup>	TTL input	37	SEL_1	TTL input/output
18*	DEV_CTRL_CODE_1 <sup>[2]</sup>	TTL input	38	SEL_0	TTL input/output
19*	5 Volts		39	DEV_CTRL_CODE_0 <sup>[2]</sup>	TTL input
20*	5 Volts		40	5 Volts charge	

\*Short pins in mating backpanel connector.

[1] This pin may be connected to external logic to detect the presence of the drive. The drive connects this pin to the common ground.

[2] Pins 9, 10, 17, 18, and 39 are option select pins and are tied high by the drive circuitry. The preferred electrical connection at the backplane is either open or grounded (open for the '1' setting, grounded for the '0' setting). Alternatively, these pins may be driven by a 3.3V logic device, pulled up to 3.3V through a pull-up resistor (recommended size of 10k ohm), or grounded through some other means.

### 11.5.5 FC-AL transmitters and receivers

A typical FC-AL differential copper transmitter and receiver pair is shown in Figure 15. The receiver is required to provide the AC coupling to eliminate ground shift noise.

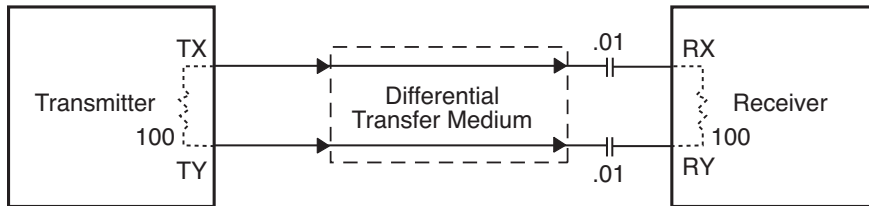


Figure 15. FC-AL transmitters and receivers

### 11.5.6 Power

Power is supplied through the FC-SCA with support for +5 volts and +12 volts. All of the voltage pins in the drive connector are the same length.

Four 12 volt pins provide +12 volt power to the drive. The current return for the +12 volt power supply is through the common ground pins. The supply current and return current must be distributed as evenly as possible among the pins. The maximum current typically occurs while the drive motor is starting.

Three 5 volt pins provide logic power to the drive. The current return for the +5 volt power supply is through the common ground pins. Distribute supply and return current as evenly as possible among the voltage and ground pins.

The mating connector pins use shorter contacts to achieve power surge reductions and to aid in “hot plugging” the drives. There are longer voltage contacts in the connector to enable the drive filter capacitors to charge. Current to the drive through the long charge pins is limited by the system in which the drive operates. Three of the +12 volt pins are shorter to allow capacitive pre-charging through the longer +12 volt charge pin. Two of the +5 volt pins are shorter to allow capacitive precharging through the longer +5 volt charge pin.

### 11.5.7 Fault LED Out

The Fault LED Out signal is driven by the drive when:

- the drive detects failure of both ports
- the drive detects an internal failure
- the drive receives the appropriate fault LED command from the host

The Fault LED Out signal is designed to pull down the cathode of an LED. The anode is attached to the proper +5 volt supply through an appropriate current-limiting resistor. The LED and the current-limiting resistor are external to the drive.



### 11.5.8 Active LED Out

The Active LED Out signal is driven by the drive as indicated in Table 25.

**Table 25 Active LED Out conditions**

<b>NORMAL COMMAND ACTIVITY</b>	<b>LED STATUS</b>
Spun down and no activity	Slow blink (20% on and 80% off a 2 sec cycle)
Spun down and activity (command executing)	On
Spun up and no activity	On
Spun up and activity (command executing)	Off
Spinning up or down	Blinks steadily (50% on and 50% off)
Format in progress, each cylinder change	Toggles on/off

The Active LED Out signal is designed to pull down the cathode of an LED. The anode is attached to the proper +5 volt supply through an appropriate current limiting resistor. The LED and the current limiting resistor are external to the drive.

### 11.5.9 Enable port bypass signals

The – Enable Bypass Port A (– EN BYP Port A) and – Enable Bypass Port B (– EN BYP Port B) signals control the port bypass circuits (PBC) located external to the disk drive. The PBC allows a loop to remain functional in the event of a drive failure or removal. When these signals are active, low, the PBC bypasses the drive on the associated port. When an Enable Bypass signal is active, the corresponding Port Bypass LED signal in connector J1 is driven low by the disk drive. A pull down resistor, 1K, located with the PBC should be used to insure the bypass is enabled if the disk drive is not installed.

The Enable Bypass signal is active under failing conditions within the drive, on detection of the Loop Port Bypass primitive sequence, or on removal of the drive. In the bypass state the drive continues to receive on the inbound fibre. Enable Bypass may be deactivated by detection of a Loop Port Enable primitive sequence if the drive has completed self-test and a hardware failure is not present.

Failure modes detected by the disk drive that will enable bypass include:

- Transmitter/receiver wrap test failure
- Loss of receive clock
- Loss of transmission clock
- Drive interface hardware error

### 11.5.10 Motor start controls

The drive's motor is started according to the Start\_1 and Start\_2 signals described in Table 26. The state of these signals can be wired into the backplane socket or driven by logic on the backplane.

**Table 26 Motor start control signals**

CASE	START_2	START_1	MOTOR SPIN FUNCTION
1	Low	Low	Motor spins up at DC power on.
2	High	Low	Motor spins up only when SCSI Start command is received.
3	Low	High	Motor spins up after a delay of 12 seconds times the modulo 8 value of the numeric SEL ID of the drive from DC power on.
4	High	High	The drive will not spin up.

### 11.5.11 SEL\_6 through SEL\_0 ID lines

The SEL\_6 through SEL\_0 ID lines determine drive address, and, optionally, for an Enclosure Services Interface. When the Parallel ESI line is high, the enclosure backpanel must provide address information on the SEL line. Refer to Table 27 for a mapping of SEL to FC-AL physical addresses (AL\_PA). You can think of the SEL lines as the equivalent of a backpanel logic plug. The drives does not provide pull up resistors on these lines. The backpanel is required to provide high and low inputs to the SEL\_ID lines per the specifications in table 29 on page 63.

**Note.** Table 27 gives AL\_PA values for each SEL value. The first entry in the table is SEL\_ID 00. The last entry is SEL\_ID 7D. SEL\_ID 7E is AL\_PA 00 which is not valid for an NL\_Port, so is not included in the table. Also, SEL\_ID 7Fh does map to a valid AL\_PA; however, this value signals the drive that physical addresses are not being assigned using the SEL lines and that a “soft” address will be determined by FC-AL loop initialization.

When the Parallel ESI line is low, the enclosure backpanel logic switches to ESI mode if supported. There are two modes of ESI, seven bits of enclosure status and a bidirectional mode. ESI support and the mode are determined by the drive using a discovery process. Refer to the *Fibre Channel Interface Manual* for a description of ESI operation.

#### 11.5.11.1 Parallel Enclosure Services Interface (ESI)

The parallel ESI line is an output from the drive. This line provides the enclosure with an indication of the present function of the SEL lines. A high level, the default state, indicates the drive requires address information on the SEL lines. A low level indicates the drive is attempting an ESI transfer. The enclosure may not support ESI on any or all drive locations. It may only support the address function. Support of ESI is discovered by the drive. Refer to the *Fibre Channel Interface Manual* for a description of ESI operations.

**Table 27 AL\_PA values**

AL_PA (hex)	SEL ID (hex)	Setting (dec)	AL_PA (hex)	SEL ID (hex)	Setting (dec)	AL_PA (hex)	SEL ID (hex)	Setting (dec)
EF	00	00	A3	2B	43	4D	56	86
E8	01	01	9F	2C	44	4C	57	87
E4	02	02	9E	2D	45	4B	58	88
E2	03	03	9D	2E	46	4A	59	89
E1	04	04	9B	2F	47	49	5A	90
E0	05	05	98	30	48	47	5B	91
DC	06	06	97	31	49	46	5C	92
DA	07	07	90	32	50	45	5D	93
D9	08	08	8F	33	51	43	5E	94
D6	09	09	88	34	52	3c	5F	95
D5	0A	10	84	35	53	3A	60	96
D4	0B	11	82	36	54	39	61	97
D3	0C	12	81	37	55	36	62	98
D2	0D	13	80	38	56	35	63	99
D1	0E	14	7C	39	57	34	64	100
CE	0F	15	7A	3A	58	33	65	101
CD	10	16	79	3B	59	32	66	102
CC	11	17	76	3C	60	31	67	103
CB	12	18	75	3D	61	2E	68	104
CA	13	19	74	3E	62	2D	69	105
C9	14	20	73	3F	63	2C	6A	106
C7	15	21	72	40	64	2B	6B	107
C6	16	22	71	41	65	2A	6C	108
C5	17	23	6E	42	66	29	6D	109
C3	18	24	6D	43	67	27	6E	110
BC	19	25	6C	44	68	26	6F	111
BA	1A	26	6B	45	69	25	70	112
B9	1B	27	6A	46	70	23	71	113
B6	1C	28	69	47	71	1F	72	114
B5	1D	29	67	48	72	1E	73	115
B4	1E	30	66	49	73	1D	74	116
B3	1F	31	65	4A	74	1B	75	117
B2	20	32	63	4B	75	18	76	118
B1	21	33	5C	4C	76	17	77	119
AE	22	34	5A	4D	77	10	78	120
AD	23	35	59	4E	78	0F	79	121
AC	24	36	56	4F	79	08	7A	122
AB	25	37	55	50	80	04	7B	123
AA	26	38	54	51	81	02	7C	124
A9	27	39	53	52	82	01	7D	125
A7	28	40	52	53	83			
A6	29	41	51	54	84			
A5	2A	42	4E	55	85			

### 11.5.12 Device control codes

The drive inputs a Device Control Code on the DEV\_CTRL\_CODE lines at power up to determine the link rate on the Fibre Channel ports. Both ports run at the same rate. If the backpanel does not connect to these lines, the drive has 10K ohm pull up resistors that default the device control code to 7 (1.0625 GHz). Table lists the supported codes.

**Table 28 Device control code values**

2 (PIN 17)	1 (PIN 18)	0 (PIN 39)	DEFINITION
0	0	0	Reserved for power failure warning.
0	0	1	Reserved for auto negotiation of link rate.
0	1	0	Reserved.
0	1	1	Reserved.
1	0	0	Reserved.
1	0	1	4.250 GHz operation on both ports.
1	1	0	2.125 GHz operation on both ports.
1	1	1	1.0625 GHz operation on both ports.

## 11.6 SIGNAL CHARACTERISTICS

This section describes the electrical signal characteristics of the drive's input and output signals. See Table 24 on page 58 for signal type and signal name information.

### 11.6.1 TTL input characteristics

Table 29 provides the TTL characteristics.

**Table 29 TTL characteristics**

STATE	VOLTAGE	CURRENT
Input high	$1.9 < V_{IH} < 5.5V$	$I_{IH} = \pm 500nA$ max.
Input low	$-0.5V < V_{IL} < 0.9V$	$I_{OL} = \pm 500nA$ max.
Output high (-EN Bypass A, B)	$2.4 < V_{OH} < 5.25V$	$I_{OH} < -3mA$
Output low (-EN Bypass A, B)	$V_{OL} < 0.5V$	$I_{OL} < 3mA$
Output high (-Parallel ESI)	$2.4 < V_{OH} < 0.9 V_{CC}$ $V_{OH} > 0.9V_{CC}$	$I_{OH} < -2.4mA$ $I_{OH} < -500\mu A$
Output low (-Parallel ESI)	$0 < V_{OL} < .45V$	$I_{OL} < 2.4mA$
Output high (all other outputs)	$2.4 < V_{OH} < 0.9 V_{CC}$ $V_{OH} > 0.9V_{CC}$	$I_{OH} < -1.6mA$ $I_{OH} < -500\mu A$
Output low (all other outputs)	$0 < V_{OL} < .45V$	$I_{OL} < 1.6mA$

### 11.6.2 LED driver signals

Fault and Active LED signals are located in the FC-SCA connector (J1). See Table 30 for the output characteristics of the LED drive signals.

**Table 30 LED drive signal**

STATE	CURRENT DRIVE AVAILABLE	OUTPUT VOLTAGE
LED off, high	$0 < I_{OH} < 100\mu A$	
LED on, low	$I_{OL} < -30 \text{ mA}$	$0 < V_{OL} < 0.8V$

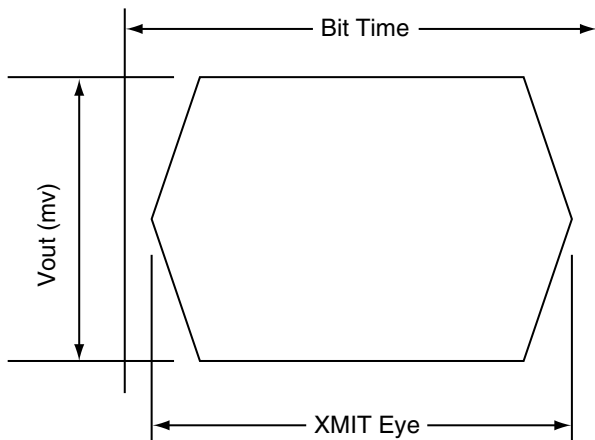
### 11.6.3 FC Differential output

The serial output signal voltage characteristics are provided in Table 31. The outputs are not AC coupled in order to deliver maximum signal without rise and fall time degradation. You must AC couple the receiver to isolate potentially different DC characteristics of the outputs and the receiver.

**Table 31 FC Differential output characteristics**

DESCRIPTION	PARAMETER	NOTES
Serial output voltage swing	$600 < V_{out} < 1300 \text{ mV}$	Centered at 1.32V

Figure 16 provides the data output valid eye diagram relative to the bit cell time.



**Figure 16. Transmit eye diagram**

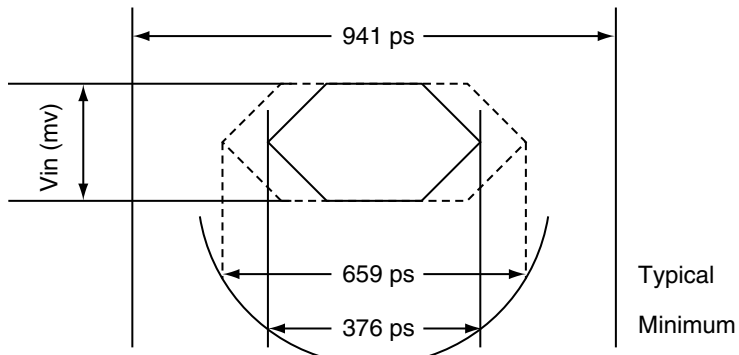
### 11.6.4 FC Differential input

The serial input signal voltage characteristics are provided in Table 32.

**Table 32 FC Differential input characteristics**

DESCRIPTION	PARAMETER	NOTES
Serial input voltage swing	$200 < V_{in} < 1.300$ mV	AC coupled

Figure 17 provides the data valid eye diagram for typical and minimum requirements to recover data at the specified interface error rate. The inputs are AC coupled on the drive.



**Figure 17. Receive eye diagram**

**Table 33 Eye diagram data values**

		LINK RATE		
		1 GHz	2 GHz	4 GHz
Bit time		941 ps	470 ps	235 ps
XMIT eye		725 ps min.	315 ps min.	$158^1/113^2$
RCV eye	Typical	659 ps	305 ps	145 ps
	Minimum	395 ps	226 ps	113 ps

1. Short Ideal load.
2. End of compliance channel.

**Numerics**

12 volt  
     pins 59  
 3rd party reserve command 49  
 5 volt pins 59

**A**

Abort Sequence (ABTS) 39  
 abort task set function 40  
 AC coupling 59  
 AC power requirements 20  
 ACA active status 55  
 ACA active, faulted initiator status 55  
 Accept (ACC) 39  
 acoustics 29  
 active LED Out signal 60  
 Actual retry count bytes command 46  
 actuator  
     assembly design 6  
 adaptive caching 55  
 Address Discovery (ADISC) 39  
 addresses 56  
 Admin SP 32  
 AES-128 data encryption 32  
 AFR 14  
 air cleanliness 29  
 air flow 37  
     illustrated 37  
 Alternate credit model 41, 44  
 altitude 26  
 ambient 26  
 Annualized Failure Rates (AFR) 15  
 ANSI documents  
     fibre channel 5  
     SCSI 5  
 arbitrated loop physical address (AL\_PA) 37  
 arbitration 37  
 asynchronous event notification 55  
 audible noise 3  
 auto negotiation of link rate 63  
 auto write and read reallocation  
     programmable 7  
 automatic contingent allegiance 55  
 average idle current 20, 21  
 average rotational latency 10

**B**

Background Media Scan 36  
 backpanel 57  
 backplane 61  
 Band 0 33  
 BandMasterX 32  
 basic link service frames 39  
 Basic\_Accept (BA\_ACC) 39  
 Basic\_Reject (BA\_RJT) 39  
 BB 41, 44

BB-Credit 41, 44  
 BMS 36  
 buffer  
     data 7  
     space 12  
 busy status 55  
 bypass circuit 15  
 Byte check command 47

**C**

cache operation 12  
 cache segments 12  
 Caching parameters page (08h) command 46  
 caching write data 13  
 Canadian Department of Communications 3  
 capacity  
     unformatted 10  
 capacity, drive, programmable 9  
 CBC 32  
 CC 42, 43  
 CF 41, 44  
 Change definition command 48  
 character sync 15  
 charge pins 59  
 check condition status 55  
 Cipher Block Chaining 32  
 Class 3 parameters 41, 44  
 class B limit 3  
 Class valid 41, 44  
 clear ACA function 40  
 clear task set function 40  
 commands supported 46  
 Common features 41, 44  
 Company ID 42, 43  
 Compare command 47  
 Concurrent sequences 41  
 condensation 26  
 condition met/good status 55  
 connector  
     illustrated 57  
     requirements 57  
 continuous vibration 29  
 Continuously increasing offset 41, 44  
 control code values 63  
 Control mode page (0Ah) command 46  
 cooling 37  
 Copy and verify command 47  
 Copy command 46  
 CRC 15  
     error 14  
 Cryptographic erase 33  
 CS 41  
 Current profiles 22  
 customer service 19

## D

- DAR 36
- Data Bands 33
- data bands 32
- Data encryption 32
- Data Encryption Key 32
- data heads
  - read/write 10
- data rate
  - internal 10
- data transfer rate 11
- data valid eye 65
- Date code page command 46
- DC power 57
  - requirements 20
- decrypt 32
- default MSID password 32
- defect and error management 34
- defects 34
- Deferred Auto-Reallocation 36
- deferred error handling 55
- DEK 32
- description 6
- DEV\_CTRL\_CODE 63
- Device Behavior page command 46
- device control code values 63
- Device Identification page command 46
- device selection IDs 37
- devices 37
- dimensions 30
- Disable page out command 47
- Disconnect/reconnect control (page 02h) command 46
- disk rotation speed 10
- Download microcode and save modes (5) 48
- Download microcode mode (4) 48
- Download microcode with offsets and save mode (7) 48
- Download microcode with offsets mode (6) 48
- drive 29
- drive capacity
  - programmable 9
- drive characteristics 10
- drive ID 37
- drive ID/option select headers 37
- Drive Locking 33
- drive mounting 30, 38
- drive orientation 37
- drive select 57
- driver signals 64
- drivers and receivers 7
- dual port support 45

## E

- electrical
  - description of connector 57

- signal characteristics 63
  - specifications 20
- electromagnetic compatibility 3
- electromagnetic susceptibility 29
- EMI requirements 3
- enable bypass
  - port A 60
  - port B 60
  - signal 60
  - state 15
- Enclosure Services interface 57
- Enclosure services page command 47
- encryption engine 32
- encryption key 33
- environmental
  - limits 26
  - requirements 14
- environmental control 29
- EraseMaster 32
- error
  - detection mechanisms, FC 15
  - management 34
  - rates 14
- error correction code
  - 96-bit Reed-Solomon 7
- Error recovery page (01h) command 46
- errors 34
- extended link service
  - frames 39
  - reply frames 39
- Extended sense command 46
- Extent reservation command 49

## F

- fabric 44
- Fabric Address Notification (FAN) 39
- Fabric Login (FLOGI) 39
- FAN 44
- fault LED out signal 59
- FC differential input 65
- FC-AL
  - document 5
  - interface 37, 57
  - options supported 45
  - physical interface 56
  - SCA device connector, illustrated 57
  - selective reset 55
- FCC rules and regulations 3
- FCP
  - for SCSI, document 5
  - response codes 40
  - task management functions 40
- FC-PH document 5
- FDE features 7
- features 7
  - interface 39



- Federal Information Processing Standard 31
- Fibre Channel documents 5
- Fibre Channel Interface Control page (19h) 46
- Fibre Channel Interface Manual 2, 3
- Fibre Channel Services 39
- Field pointer bytes command 46
- FIPS 31
- firmware 7
  - corruption 49
- Firmware download option command 48
- firmware download port 33
- Firmware numbers page command 46
- flawed sector reallocation 7
- FLOGI
  - received on Port A 43
  - received on Port B 43
- Force unit access command 47
- form factor 7
- format 37
- Format command execution time 11
- Format page (03h) command 46
- Format unit command 46
- FS 41, 42, 44
- function
  - complete, code 00 40
  - not supported, code 05 40
  - reject, code 04 40

**G**

- Global Data Band 33
- Good status 55
- gradient 26
- ground shift noise 59
- grounding 38

**H**

- hard assigned arbitrated loop physical address (AL\_PA) 37
- HDA 38
- heads
  - read/write data 10
- heat removal 37
- host equipment 38
- hot plugging the drive 15
- humidity 26
- humidity limits 26

**I**

- IC 41
- ID and configuration options 7
- Idle Read After Write 36
- Implemented operating def. page command 46
- Information exceptions control page (1Ch) command 47
- Initiator control 41
- Inquiry command 46
- inquiry data 50
- installation 37
- interface 37
  - commands supported 46
  - description 56
  - error rate 14
  - errors 14
  - illustrated 56
  - physical 56
  - requirements 39
- intermediate/condition met/good status 55
- intermediate/good status 55
- Intermix 41, 44
- internal data rate 10
- internal defects/errors 34
- internal drive characteristics 10
- IRAW 36

**J**

- J1 connector 37
- Jumper settings page command 46
- jumpers 37

**L**

- latency
  - average rotational 10, 11
- LBdata 48
- LED driver signals 64
- Link Service Reject (LS\_RJT) 39
- link services supported 39
- Locking SP 32
- LockOnReset 33
- Lock-unlock-cache command 47
- Log select command 48
- Log sense command 48
- logic power 59
- logical block address 12
- logical block reallocation scheme 7
- logical block size 7, 11
- logical segments 12
- Logout (LOGO) 39
- loop 56, 60
  - disruption 15
  - initialization 37
- loop position
  - FC-AL options 45
- loop position report
  - FC-AL options 45
- LS\_RJT 41, 44
- LSI circuitry 8

**M**

- maintenance 14
- Makers Secure ID 32
- maximum delayed motor start 20, 21
- maximum start current 20, 21

- mean time between failure (MTBF) 15
- media description 8
- Media Pre-Scan 36
- miscellaneous feature support
  - Adaptive caching 55
  - Asynchronous event notification 55
  - Automatic contingent allegiance 55
  - Deferred error handling 55
  - FC-AL selective reset 55
  - Parameter rounding 55
  - Queue tagging 55
  - Reporting actual retry count 55
  - Segmented caching 55
  - SMP = 1 in Mode Select command 55
  - Synchronized (locked) spindle operation 55
  - Zero latency read 55
- miscellaneous status support
  - ACA active 55
  - ACA active, faulted initiator 55
  - Busy 55
  - Check condition 55
  - Condition met/good 55
  - Good 55
  - Intermediate/condition met/good 55
  - Intermediate/good 55
  - Reservation conflict 55
  - Task set full 55
- miscorrected media data 14
- Mode select
  - (10) command 49
  - command 46
- Mode sense
  - (10) command 49
  - command 46
  - data, table 50, 52
- monitoring state 15
- motor start
  - controls 61
  - option 11
- mounting 38
  - holes 38
  - orientations 37
- mounting configuration 30
- mounting configuration dimensions 30
- MSID 32
- MTBF 15

## N

- N\_Port Login (PLOGI) 39
  - payload 41
  - payload values 42
- NN 41, 44
- Node Name 44
- Node name 41
- noise
  - audible 3

- noise immunity 21
- non-operating 26, 27, 29
  - temperature 26
- non-operating vibration 29

## O

- office environment 29
- old port state
  - FC-AL options 45
- OPEN Full Duplex
  - FC-AL options 45
- OPEN half duplex
  - FC-AL options 45
- Open sequences per exchange 41
- operating 26, 27, 29
- option configurations 37
- option selection 57
- options 9, 45
- orientation 27
- OS 41
- out-of-plane distortion 38

## P

- P\_LOGI
  - received on Port A 42
  - received on Port B 42
- package size 27
- package test specification 5
- packaged 27
- parameter rounding 55
- pass-through state 15
- password 32
- passwords 32
- PBC 56, 60
- PBdata 48
- PCBA 38
- peak bits per inch 10
- peak operating current 20, 21
- peak-to-peak measurements 21
- performance characteristics
  - detailed 10
  - general 11
- performance degradation 27
- performance highlights 8
- physical damage 29
- physical interface 56
  - description 56
- physical specifications 20
- PI 42, 43
- pin descriptions 58
- PN 41, 44
- port bypass circuit 15, 56, 60
- Port DIScovery 41
- Port Discovery (PDISC) 39
- port identifier field 42, 43
- port login 41

- accept 42
- Port Name 44
- Port name (initiator's) 41
- power 59
  - dissipation 24
  - requirements, AC 20
  - requirements, DC 20
  - sequencing 22
- Power control page (1Ah) command 46
- power distribution 3
- power failure warning 63
- PowerCycle 33
- Prefetch command 47
- prefetch/multi-segmented cache control 12
- preventive maintenance 14
- private loop
  - FC-AL options 45
- Proc Assc 41
- Process Accept (ACC) 43
- Process Login (PRLI) 39, 42
- Process Login Accept (ACC) payload 43
- process login payload data 42
- Process Logout (PRLO) 39
- programmable drive capacity 9
- protection of data at rest 32
- public loop
  - FC-AL options 45
- pull down resistor 60

## Q

- queue tagging 55

## R

- radio interference regulations 3
- Random number generator 32
- Random relative offset 41, 44
- RCD bit 12
- Read buffer command 48
- Read capacity command 47
- Read combined header and data mode (0) 48
- Read command 46
- Read data mode (2) 48
- Read defect data command 47
- Read descriptor mode (3) 48
- read error rates 14, 34
- Read extended command 47
- Read Link Status (RLS) 39
- Read long command 48
- read/write data heads 10
- Reassign blocks command 46
- Receive buffer field size 41, 44
- receive buffer field size 42
- Receive diagnostic results command 47
- receive eye
  - diagram 65
- receivers 59

- recommended mounting 28
- Recoverable Errors 14
- recovered media data 14
- reference
  - documents 5
- Regenerate command 49
- Register FC-4 Types (RFT\_ID) 39
- Relative address command 47
- relative humidity 26
- Release command 46
- Released (10) command 49
- reliability 8
  - specifications 14
- reliability and service 15
- repair and return information 19
- reporting actual retry count 55
- Request sense command 46
- reservation conflict status 55
- Reserve command 46
- Reserved (10) command 49
- resonance 27
- return information 19
- Rezero unit command 46
- Rigid disk drive geometry page
  - command 46
- RNG 32
- rotation speed 10
- running disparity 15

## S

- safety 3
- SCA part numbers 57
- SCSI interface
  - commands supported 46
- Seagate Technology Support Services 1
- Search data
  - equal command 47
  - high command 47
  - low command 47
- Secure ID 32
- security partitions 32
- Security Protocol In 32
- Security Protocol Out 32
- Seek command 46
- seek error
  - defined 14
  - rate 14
- Seek extended command 47
- seek performance characteristics 10
- seek time
  - average typical 10
  - full stroke typical 10
  - single track typical 10
- segmented caching 55
- SEL ID 37
  - lines 61

- standard feature 7
- Self-Encrypting Drive (SED) Users Guide 2
- self-encrypting drives 32
- Self-Monitoring Analysis and Reporting Technology 8, 15
- Send diagnostics page command 47
- Sequential delivery 41, 44
- Service Options 44
- Service options 41
- Set limits command 47
- shielding 3
- shipping 19
- shipping container 26
- shock 27
  - and vibration 27
- shock mount 38
- SID 32
- signal
  - characteristics 63
  - LED driver 64
- single-unit shipping pack kit 9
- SMART 8, 15
- SMP = 1 in Mode Select command 55
- SO 41, 44
- spindle brake 7
- Stacked connection req. 41, 44
- standards 3
- Start unit/stop unit command 47
- start/stop time 11
- Supported diagnostics pages command 47
- surface stiffness
  - allowable for non-flat surface 38
- switches 37
- Synchronize cache command 47
- synchronized spindle
  - operation 55
- system chassis 38

**T**

- target reset function 40
- task management functions 40
  - Abort task set 40
  - Clear ACA 40
  - Clear task set 40
  - Target reset 40
  - terminate task 40
- task management response codes 40
  - Function complete 00 40
  - Function not supported 05 40
  - Function reject 04 40
- task set full status 55
- TCG 32
- TCG Storage Architecture Core Specification 3
- temperature 26, 37
  - limits 26
  - non-operating 26
- regulation 3
  - See also* cooling
- terminate task function 40
- terminators 37
- Test unit ready command 46
- Third-party Process Logout (TRPLO) 39
- tracks per inch 10
- Translate page command 47
- transmit eye diagram 64
- transmitters 59
- transporting the drive 19
- Trusted Computing Group 5, 6, 32
- TTL input characteristics 63

**U**

- UI 42, 43
- unformatted 8
- unique identifier 42, 43
- Unit attention page (00h) command 46
- Unit serial number page command 46
- Unrecoverable Errors 14
- unrecovered media data 14

**V**

- Valid version level 41, 44
- Verify command 47, 49
- Verify error recovery page (07h) command 46
- vibration 27, 29
- Vital product data page command 46

**W**

- warranty 19
- word sync 15
- Write and verify command 47
- Write buffer command 47
- Write combined header and data mode (0) 48
- Write command 46
- Write data mode (2) 48
- Write extended command 47
- Write long command 48
- Write same command 48, 49

**X**

- XD read 48
- XD write 48
- XD write extended command 49
- XID reassign 41
- XP write 48

**Z**

- zero latency read 55
- zone bit recording (ZBR) 7



**Seagate Technology LLC**

*AMERICAS Seagate Technology LLC 10200 South De Anza Boulevard, Cupertino, California 95014, United States, 408-658-1000*

*ASIA/PACIFIC Seagate Singapore International Headquarters Pte. Ltd. 7000 Ang Mo Kio Avenue 5, Singapore 569877, 65-6485-3888*

*EUROPE, MIDDLE EAST AND AFRICA Seagate Technology SAS 16-18 rue du Dôme, 92100 Boulogne-Billancourt, France, 33 1-4186 10 00*

*Publication Number: 100516225, Rev. E  
December 2012*