



Powered by  GREE

Model

SG-CAC-08ESE



SG-CAC-10SE

SG-CAC-12SE

Electronic Casement Window Air Conditioner
Operating Instructions



Powered by  GREE

Thank you for choosing a Soleus Air powered by Gree Air Conditioner. This owner's manual will provide you with valuable information necessary for the proper care and maintenance of your new product. Please take a few moments to thoroughly read the instructions and familiarize yourself with all the operational aspects of your new air conditioner.

For your own records, please attach a copy of your sales receipt to this manual. Also, write the store name/location, date purchased, and serial number below:

Store Name: _____

Location: _____

Date Purchased: _____

Serial Number (located on back of unit): _____

IMPORTANT SAFETY INSTRUCTIONS

Before installing and using your air conditioner, please read this owner's manual carefully. Store this manual in a safe place for future reference. Your safety and the safety of others is very important to us. Please pay attention to all safety messages outlined in this owner's manual.

WARNING: To reduce the risk of fire, electrical shock or injury when using your air conditioner, follow the following basic precautions:

- | | |
|---|--|
| <ul style="list-style-type: none">• Plug into a grounded 3 prong outlet.• Do not remove the ground prong.• Do not use a plug adapter. | <ul style="list-style-type: none">• Do not use an extension cord.• Unplug the air conditioner before servicing• Use two or more people to move and install the air conditioner |
|---|--|



This is a safety alert symbol.

This symbol alerts you to potential hazards that can harm you or others or even cause death.

All safety messages will directly follow the safety alert symbol and/or the words "DANGER" or "WARNING".

⚠ DANGER

⚠ WARNING

Failure to immediately follow these instructions may cause serious injury or even death.

All Safety messages alert you of potential hazards, how to reduce the chance of injury, and what can happen if instructions are not followed correctly.

SPECIFICATIONS

- Noise level is measured at a distance of 3.28 ft away from the front of the unit in cooling mode.
- Power consumption is measured when the fan runs at the highest speed setting.
- These specifications are for reference only. For actual data, please refer to the rating label on the back of the unit.

Model	SG-CAC-08ESE	SG-CAC-10SE	SG-CAC-12SE
Power Supply (Ph/V/Hz)	1/115/60	1/115/60	1/115/60
Dehumidifying Capacity (Pints/Day)	31.2	36	38.4
Rated Cooling Capacity (BTU/hr)	8,000	10,000	12,000
Cooling Power Input (Watts)	762	1052	1263
Rated Current Cooling (Amperage)	6.6	9.2	11
Cooling EER	10.5	9.5	9.5
Noise Level dB(A) (High/Med/Low)	56/54/52	60/58/56	60/58/56
CFM (High/Med/Low)	450/410/370	550/510/470	550/510/470
Power Plug Type	NEMA 5-15P	NEMA 5-15P	NEMA 5-15P
Product Dimensions (W" x D" x H") (Inches)	14.2" x 24.5" x 20.3"	14.2" x 24.5" x 20.3"	14.2" x 24.5" x 20.3"
Product Weight (Lbs)	72.8	TBA	TBA
Refrigerant	R-410A	R-410A	R-410A
Energy Star	Yes	No	No

IMPORTANT SAFETY INSTRUCTIONS

Read all instructions before using this air conditioner

These instructions describe installation in a typical wood framed window with a wood SLIDE-BY sash, or installation in a metal CASEMENT window. Modification may be necessary when installing in windows made differently than those shown in these instructions.

MEETING ELECTRICAL REQUIREMENTS

OBSERVE ALL LOCAL GOVERNING CODES AND ORDINANCES.

DO NOT, UNDER ANY CIRCUMSTANCES, REMOVE THE POWER SUPPLY CORD GROUNDING PRONG.

NOTE: If codes permit, and a separate grounding wire is used; it is recommended that a qualified electrician determine that the grounding path is adequate and not interrupted by plastic, non-metallic gaskets, or other insulating materials.

RECEPTACLE WIRING

Receptacle wiring should be a minimum of 14 gauge. Use copper wire only. It is your responsibility to provide proper and adequate receptacle wiring, installed by an electrician.

ELECTRICAL REQUIREMENTS

A 115 volt (103.5 minimum, 126.5 maximum), 60 Hertz, AC only, 15 ampere fused electrical supply is required. A time delay fuse or time delay circuit breaker is also required. A separate circuit, serving only this appliance, MUST be provided.



WARNING: Electrical Shock and Personal Injury Hazard

- Electrical ground is required on this appliance.
- DO NOT ground to a gas line.
- If a cold water pipe is interrupted by plastic, non-metallic gaskets, or other insulating materials, DO NOT use for grounding.
- Check with a qualified electrician if you are in doubt as to whether the appliance is properly grounded.
- DO NOT modify the power supply cord plug. If it does not fit the outlet, have the correct outlet installed by a qualified electrician.
- DO NOT have a fuse in the neutral or grounding circuit. A fuse in the neutral, or grounding circuit could result in an electrical shock.
- DO NOT use an extension cord with this appliance.

Failure to follow these instructions could result in electrical shock, serious injury or death.

ELECTRICAL CONNECTION

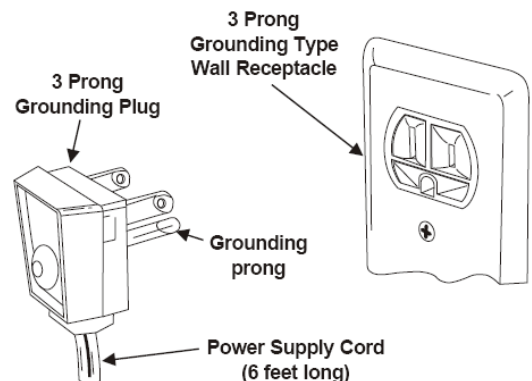
Electrical ground is required on this appliance.

Recommended grounding method:

For your personal safety, this appliance must be grounded. This air conditioner includes a power supply cord with a 3-prong grounding plug. To minimize possible electrical shock:

- The cord must be plugged into a mating 3-prong grounding-type wall receptacle.
- Must be grounded in accordance with National Electrical Code (ANSI/NFPA 70—Latest version) **and**
- All local codes and ordinances

If a mating 3-prong grounding-type receptacle is not available, it is the responsibility of the consumer to have a properly grounded 3-prong wall receptacle installed by a qualified electrician.



PREPARING FOR INSTALLATION

PREPARING FOR INSTALLATION

Installation Tips

For wood-frame casement windows: It may be necessary to construct a frame, using at least 1-inch thick wood, with a 15-1/2-inch wide opening.

For brick or cement building construction: It may be necessary to put a wood stool strip under AC, for mounting purposes.

Tools Required:

- Flat-head screwdriver
- Phillips-head screwdriver
- Carpenter's level
- Tape measure
- Fine tooth saw
- Electric or hand drill
- Knife and scissors
- Pencil



WARNING: Failure to adhere to the following precautions could result in personal injury and product damage.

- Because this unit weighs about 88 to 105 pounds, it is recommended that you have someone help you when install your new unit, and that you both use proper lifting techniques.
- Inspect the condition of the window where unit will be installed. Be sure it will support the weight of the unit.
- This appliance must be installed according to all applicable codes and ordinances.
- Handle AC with care. AVOID sharp metal fins on front and rear coils.
- Make sure your AC does not fall during installation.
- Do not use water collected in the unit for drinking. It is not sanitary.

DISCLAIMER

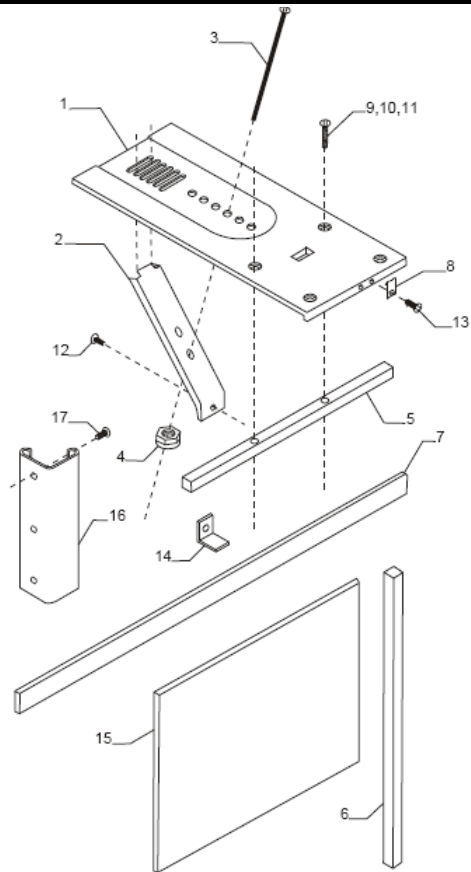
ALL INFORMATION AND THE TECHNICAL SPECIFICATIONS PRESENTED IN THIS USER'S MANUAL ARE THE PRESENTATION OF THE MANUFACTURER. SOLEUS INTERNATIONAL HAS NOT CONDUCTED INDEPENDENT TEST TO THE INFORMATION AND THE SPECIFICATIONS PRESENTED HEREWITHIN.

PARTS LIST & INSTALLATION

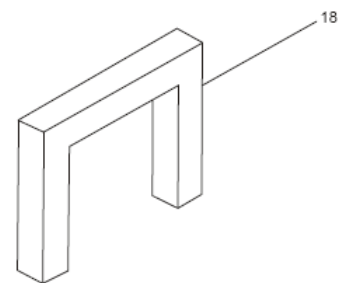
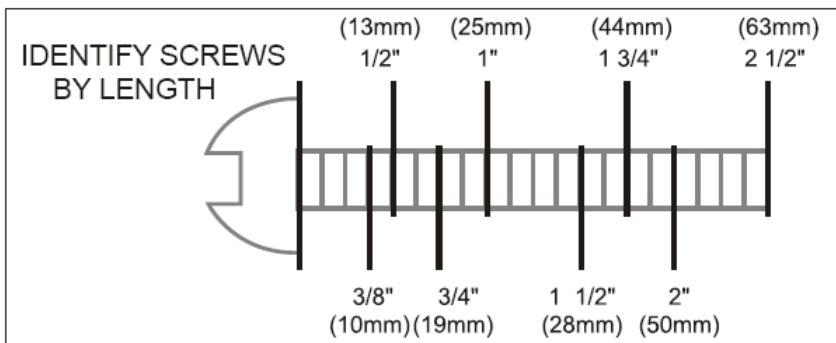
1. Make sure you have all the necessary parts.

Installation kit contents:

1. Platform (1)
2. Support brace (1)
3. Adjustment bolt (1)
4. Hex flange nut - 1/4" (1)
5. Track seal (1)
6. Side channel seal (1)
7. Foam seal strip/Sash seal
8. Safety bracket (1)
- 9-11. Screw - #10x2-1/2" flat-head (2), OR
Screw - #10xl-3/4" pan-head (2), OR
Screw - #10xl" pan-head (2)
12. Screw - #8x3/4" pan head (6)
13. Screw - #8-32x3/4" self-threading (7)
14. Window locking bracket (1)
15. Plastic window panel (1)
16. Side channel (2)
17. Screw - #8x3/8 truss head (6)
18. Panel frame/seal assembly (1)



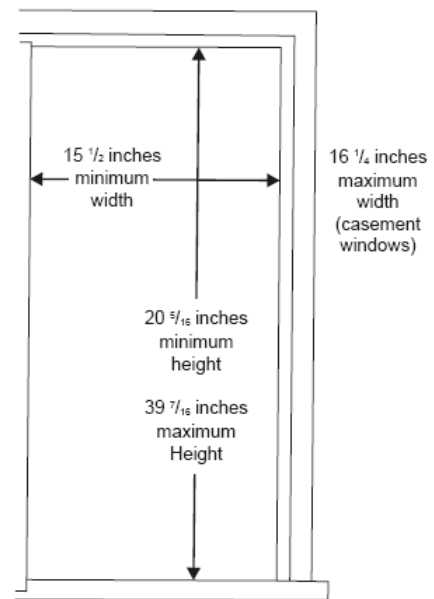
NOTE: Use scale below to measure length of your screws. The scale will come in handy when separating screws for installation.



2. Choose a proper sized window, as shown right.

- 15-1/2 inches minimum width
- 16-1/4 inches maximum width (for casement windows)
- 21-1/4 inches minimum height (with window panel retainer)
- 20-5/16 inches minimum height (window panel retainer removed)
- 39-7/16 inches maximum height

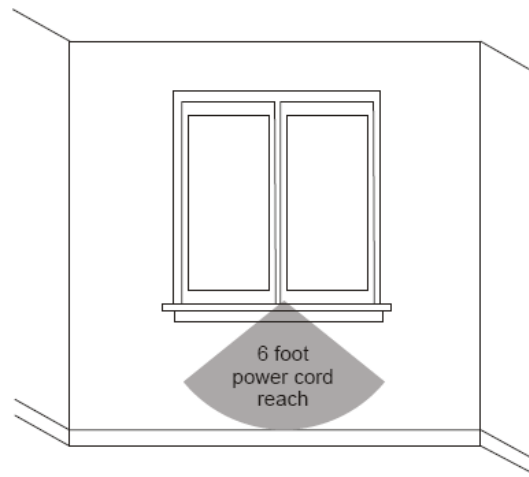
NOTE: Height measurement must be of a clear opening above mounting platform. In some cases, due to a variety of stop and track arrangements, the above dimensions may vary slightly. If necessary, installation can be made by alternating window jambs. (See Alternate Window Jamb Applications.)
(continued)



INSTALLATION

3. Choose the proper window location.

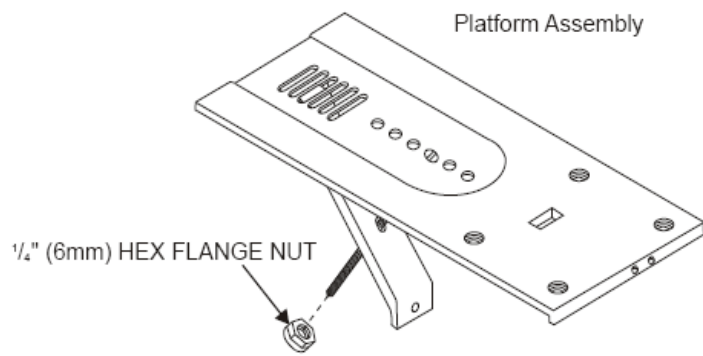
Choose a window that allows the cooled air to flow freely and directly into room(s) you wish to cool. Remember, it is difficult to move air around corners. Also, choose a window that is within 6 feet of an electrical outlet. (See Meeting Electrical Requirements/Receptacle wiring needs.) **Do not use an extension cord.**



INSTALLING THE UNIT IN A SLIDING WINDOW

1. Attach support brace to platform as shown.

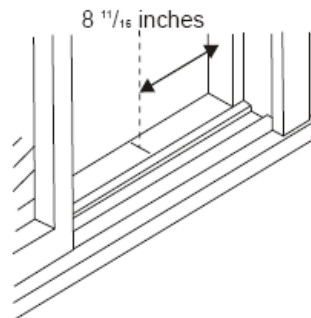
Use adjustment bolt and hex flange nut to complete assembly. Choose slot and adjustment bolt hole locations that will create a 45 degree angle between platform and support brace. Try assembly in the window to determine if platform will rest properly, and allow proper slope (3/16-inch lower on outside).



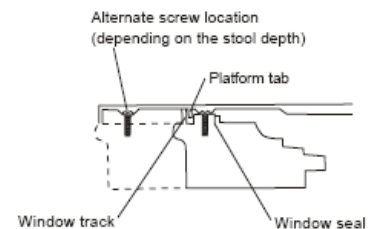
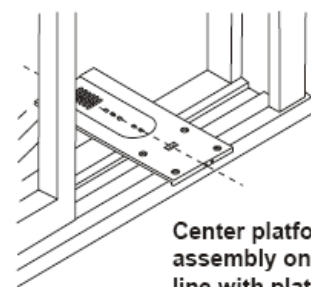
NOTE: If you are planning to use a siding protection board (see Step 5) on the outside of your house, hold board in place when testing assembly in window.

2. Measure, and lightly mark a line 8-11/16 inches from window jamb.

NOTE: If any sash stop protrudes more than 1 inch from the side window jambs, the 8-11/16-inch measurement must be increased accordingly. Screen and storm window frames may also require adjustments to the measurement.



3. Center platform assembly on the line with inside platform tab pressed against inside edge of window track. Using the holes in the platform as a guide, mark and drill two 9/64-inch diameter holes. Drill holes in either track or stool.



Center platform assembly on the line with platform tab pressed against window track

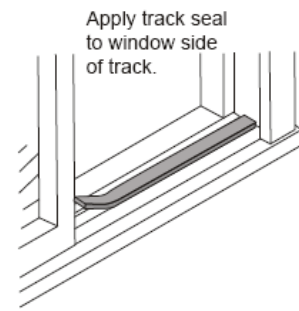
CAUTION

Property Damage Hazard—Failure to adhere to the following precautions could result in damage to window or the air conditioner. Make sure the wood stool or window track is securely attached to the building construction. Use longer screws in sub-framing if necessary.

INSTALLATION—SLIDING

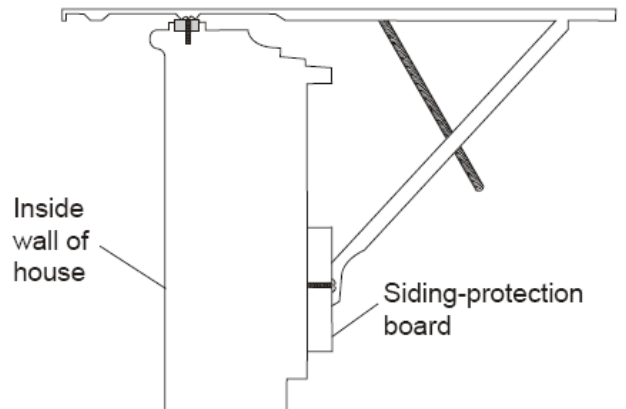
INSTALLING THE UNIT IN A SLIDING WINDOW (CONT.)

4. Peel off protective backing from track seal. Apply seal to room side of window track. Center of seal strip should coincide with the line marked in Step 2. The two screw holes drilled in Step 3 should be directly above seal strip in the inner track.

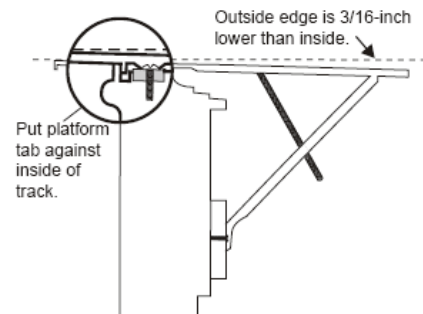


5. Securely attach a siding-protection board to side of house.

NOTE: Siding-protection board should be long enough to span 2 wall studs.



6. Place platform assembly, with platform tab against inside of window track, and attach it to window jamb. Use appropriate length screws (Items 9-11 in Preparing For Installation).

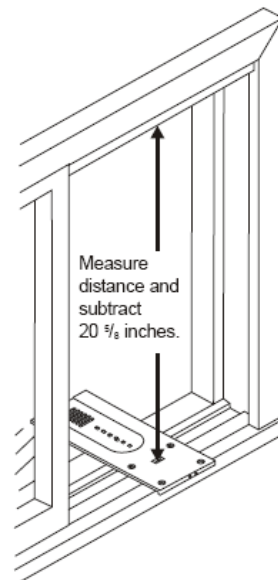


7. Adjust platform assembly so that outside edge is 3/16-inch lower than inside edge, as shown right. This ensures proper water drainage from the air conditioner.

8. Level platform assembly from side-to-side.

Also, make sure window track is level. Use leveling shims as necessary to ensure unit is level from side-to-side.

9. Measure height of window opening from top of platform assembly as shown right. Subtract 20-5/8 inches. Mark this measurement on plastic window panel, along the longer side. (continued)



INSTALLATION—SLIDING

INSTALLING THE UNIT IN A SLIDING WINDOW (CONT.)

10. Clamp plastic window panel between a board and a work table, and cut along cutting line with a fine tooth saw. Remove any burrs with a file.

11. Fasten side channels to the sides of the AC using 3 screws (Item 17) per channel. Start with first screw at top of channel. Make sure hook ends of channels face toward back of unit.

12. Slide plastic window panel into panel frame, with the smooth side to the room. Slide panel frame assembly into side channels of the AC cabinet. Make sure plastic window panel is firmly enclosed on all sides by the retainer grooves.

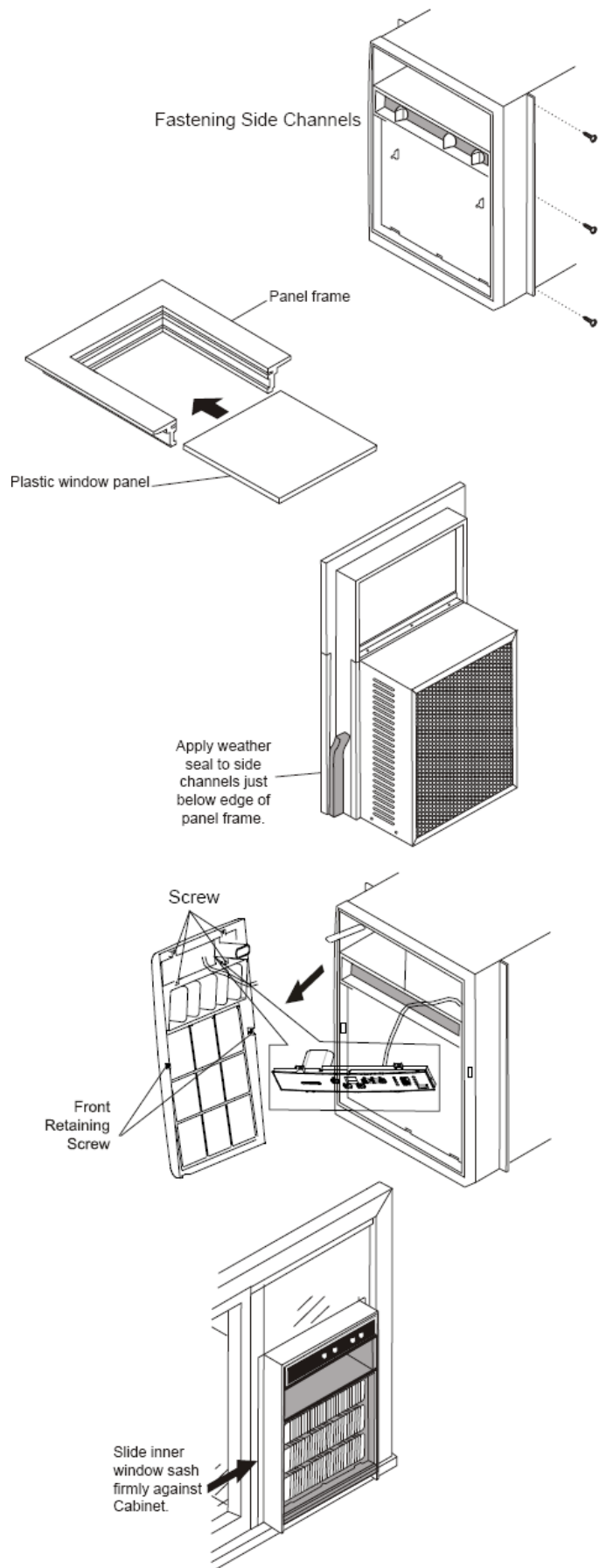
13. Cut side channel seal into 2 equal lengths. Remove protective backing and apply it to the rear side of cabinet side channels, starting just below panel frame assembly. Pinch off excess length so seal is even with the bottom of the cabinet side channel.

14. To remove front

1. Remove the two front retaining screws from the front frame.
2. Press firmly on each side of the metal case close to the front, approximately 2/3 of the way down.
3. While pressing on the sides of the metal case, gently pull the front out and lift up to release it from the case.
4. Then remove the four screws from the front frame to release the control panel box.

NOTE: DO NOT push or pull air direction louvers.

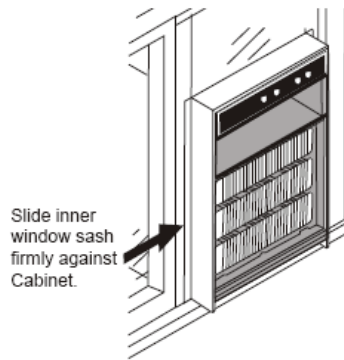
15. Place AC in window opening. As shown right, it should sit on platform assembly so that window panel frame, and cabinet side channels are against top and side window jambs. (continued)



INSTALLATION—SLIDING

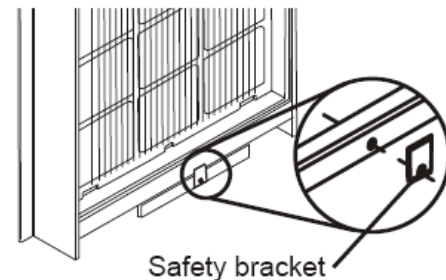
INSTALLING THE UNIT IN A SLIDING WINDOW (CONT.)

16. Slide inner window sash firmly against side of the cabinet. Make sure not to peel the seal strips from the window track and cabinet side channels. If the panel frame does not fit snugly to the inner window sash, secure the panel frame to the sash with #8x3/4-inch screws, or #8-32x3/4-inch self-threading screws. Use the partially plugged holes in the panel frame. Drill 1/8-inch pilot holes for the screws.



17. Hook the safety bracket over the base of the unit and fasten it to the front of the platform assembly. Use a #8-32x3/4-inch self-threading screw.

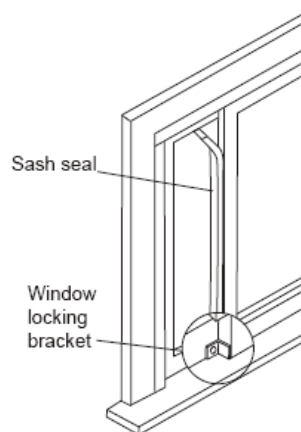
Install safety bracket



NOTE: The bracket prevents movement of the air conditioner (either in or out) after completing the installation.

18. Stuff the foam seal strip/sash seal between the vertical sash and the window glass, as shown right.

19. Use the window locking bracket to lock the inner window sash to the base of the outer window sash. Use one #8x3/4-inch screw, or #8-32x3/4-inch self-threading screw. (Drill 1/8-inch pilot hole).



20. To replace the front

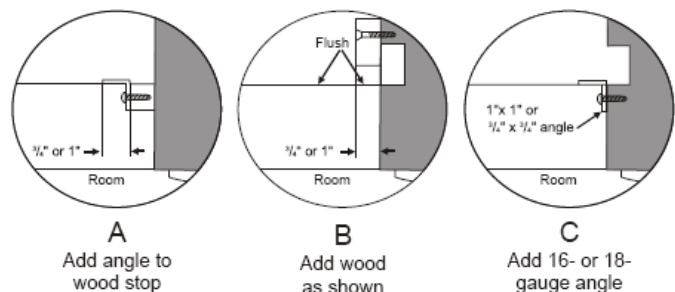
First reconnect the coupler plugs, make the exhaust control positioned through the front in the proper location. Gently push the front into position on the cabinet. It should click into place. Then replace the retaining screws that holds the panel in place.

Do not push or pull the front panel louvers.

Alternate Window Jamb Applications

To install in windows having no flanges or wood stops on the top and side jambs, the channels and panel frame must fit against a mating flange (or 1/16-inch max. thick angle) attached to the window jambs.

Figure A shows this angle installed. Figures B & C show alternate treatments. On the sash side of the opening, the leading corner of the inner sash becomes the flange. You can purchase the angle Strip locally.



INSTALLATION—CASEMENT

INSTALLING THE UNIT IN A CASEMENT WINDOW

NOTE: Open the window the maximum amount to allow for clearance of the cabinet. The crank handle should be removed to allow the platform to be fastened to the jamb. If the window cannot open far enough (more than 15-1/2 inches) for the cabinet to clear the window, remove the window entirely by drilling out the rivets. Bolts can serve as the pivots in the future.

To avoid crank handle and window clearance problems, the unit can be installed in a stationary sash section. However, the horizontal mullion and the 2 glass panels must be removed before installation.

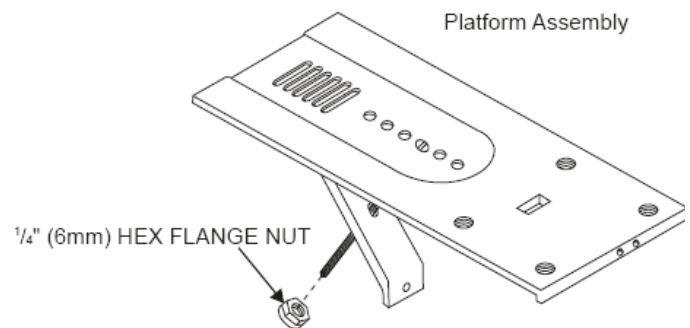
1. Attach support brace to platform as shown. Use the adjustment bolt and hex flange nut to complete the assembly. Choose the slot and adjustment bolt hole locations that will create a 45 degree angle between the platform and the support brace. Try the assembly in the window to determine if the platform will rest properly, and allow the proper slope (3/16-inch lower on outside).

NOTE: If you are planning to use a siding protection board (see Step 6) on the outside of your house, hold the board in place when testing the assembly in the window.

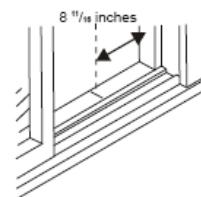
2. Drill a 9/64-inch diameter pilot hole in the window jamb an equal distance from each side of the jamb, and 3/16-inch up from the window sill. If the hole coincides with the window lever slot in the jamb bottom, an additional hole will have to be drilled through the platform edge and the window jamb to miss this slot.

3. Peel off the protective backing from the track seal, and stick the seal to the window sill on the outside of the bottom jamb.

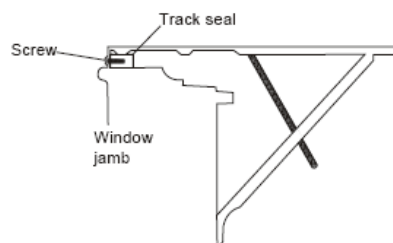
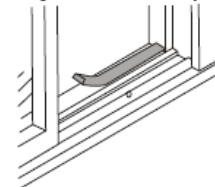
4. Screw the platform assembly to the window jamb through the pilot hole you drilled in Step 2. Use a #8x3/4-inch self-threading screw.



Equal distance from both sides



Apply track seal to the outside edge of the bottom window jamb.



INSTALLATION—CASEMENT

INSTALLING THE UNIT IN A CASEMENT WINDOW (CONT.)

5. Adjust the platform assembly so that the rear of the air conditioner will be $\frac{3}{16}$ -inch lower than the front. This ensures proper water drainage from the air conditioner.

NOTE: A projection below the base of the air conditioner will require the rear of the platform to be $\frac{7}{16}$ -inch lower than the front to create the $\frac{3}{16}$ -inch slant from front to rear.

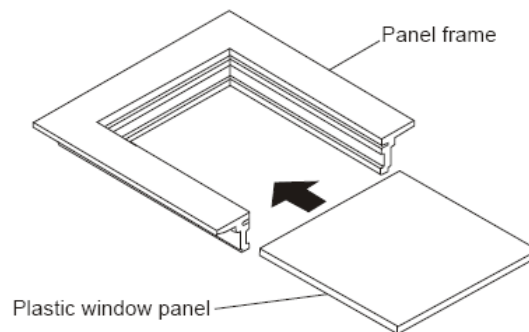
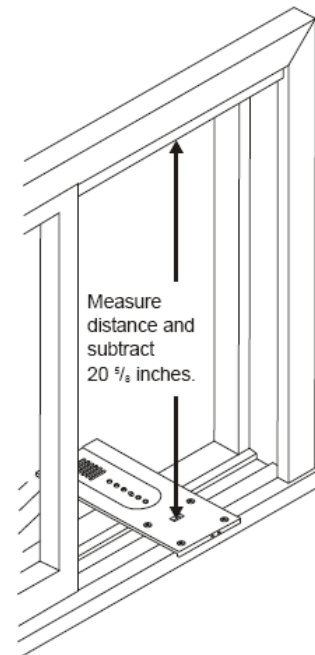
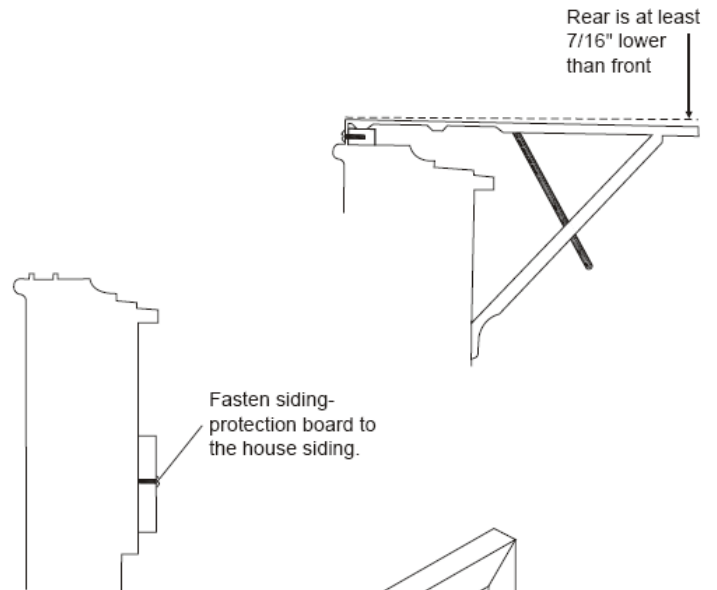
6. Securely attach a siding-protection board to the side of the house where the platform assembly hit the house. The siding-protection board should be long enough to span 2 wall studs.

7. Measure the height of the window opening from the top of the platform assembly. Subtract $20\text{-}\frac{5}{8}$ inches. Mark this measurement on the plastic window panel, along the longer side.

8. Clamp the plastic window panel between a board and a work table, and cut along the cutting line with a fine tooth saw. Remove any burrs with a file.

9. Fasten the side channels to the sides of the unit using three screws (Item 17) per channel. Make sure hook ends of channels face toward the back of unit.

10. Slide the plastic window panel into the panel frame with the smooth side to the outside. Slide the panel frame assembly into the side channels of the air conditioner cabinet. Make sure the plastic window panel is firmly enclosed on all sides by the retainer grooves.



INSTALLATION—CASEMENT

INSTALLING THE UNIT IN A CASEMENT WINDOW (CONT.)

11. Cut side channel seal into 2 equal lengths.

Remove the protective backing and apply it to the rear side of the cabinet side channels, starting just below the panel frame assembly. Pinch off excess length so the seal is even with the bottom of the cabinet side channel.

12. To Remove the Front Panel

1. Remove the two front retaining screws from the front frame.
2. Press firmly on each side of the metal case close to the front, approximately 2/3 of the way down.
3. While pressing on the sides of the metal case, gently pull the front out and lift up to release it from the case.
4. Then remove the four screws from the front frame to release the control panel box.

NOTE: DO NOT push or pull the air direction louvers.

13. Place the air conditioner in the window

opening as shown to the right. It should sit on the platform assembly so that the window panel frame, and the cabinet side channels are against the top and side window jambs. Side channels should overlap side window jambs equally.

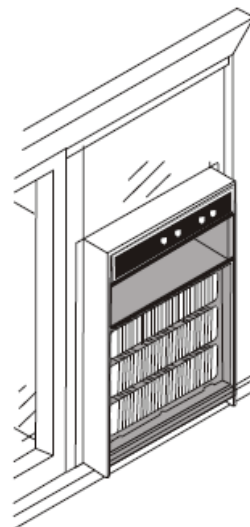
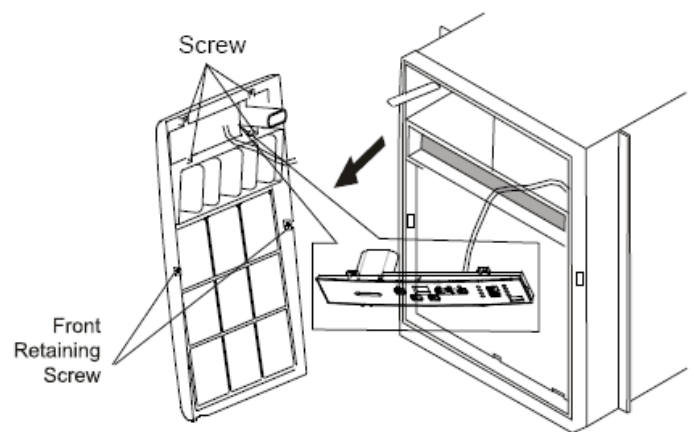
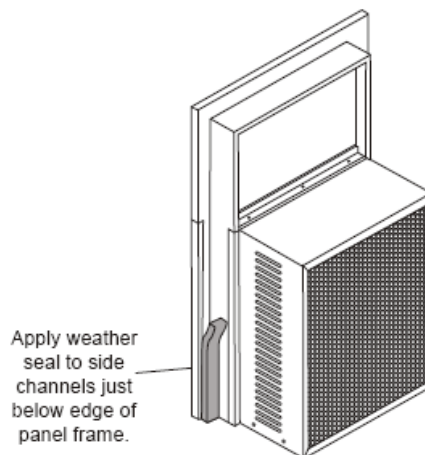
14. Drill two 9/64-inch diameter pilot holes in the top window jamb in line with the partially plugged holes in the panel frame. Secure the panel frame to the window jamb with two #8-32x3/4-inch self-threading screws. If additional holding is necessary, two screws may be used on the sides of the panel frame as well.

15. Drill two screw-clearance holes in the cabinet side channels (near bottom) and two 9/64-inch diameter pilot holes in the side window jambs. Secure the cabinet side channels to the window jambs with two #8-32x3/4-inch self-threading screws. When doing this, be careful not to twist the side channel seals with the screws.

NOTE: Inserting screws will prevent the air conditioner from being pushed into the room.

16. To replace the front

First reconnect the coupler plugs, make the exhaust control positioned through the front in the proper location.



Gently push the front into position on the cabinet. It should click into place. Then replace the retaining screws that holds the panel in place.

IMPORTANT SAFETY INSTRUCTIONS

Read all instructions before using this air conditioner

FOR YOUR SAFETY

Do not store or use gasoline or other flammable vapors and liquids in the vicinity of this or any other appliance. Read product labels for flammability and other warnings.

ACCIDENT PREVENTION

To reduce the risk of fire, electrical shock, or injury to persons when using your air conditioner, follow basic precautions, including the following:

- Be sure the electrical service is adequate for the model you have chosen. This information can be found on the rating label located on the side of the cabinet or behind the grille.
- If the air conditioner is to be installed in a window, you will probably want to clean both sides of the glass prior to installation. If the window is a triple-track type with a screen panel included, remove the screen completely before installation.
- Be sure the air conditioner has been securely and correctly installed according to the installation instructions provided with this manual. Save this manual and the installation instructions for future use when removing and reinstalling the unit.
- When handling the air conditioner, be careful to avoid cuts from sharp metal fins on the front and rear coils.



NOTE: The power supply cord on this air conditioner contains a current detection device designed to reduce the risk of fire. Please refer to the section “Operation of Current Device” for details. In the event that the power supply cord is damaged, it cannot be repaired it must be replaced with a cord from Soleus Air Powered by Gree.

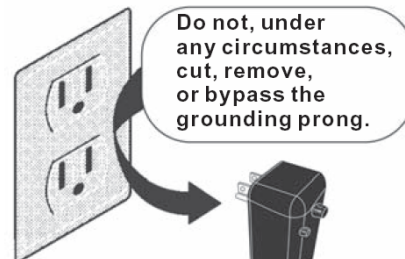
ELECTRICAL INFORMATION

The complete electrical rating of your new air conditioner is stated on the product rating label located on the unit. Refer to the ratings on the label when checking electrical requirements.

- Be sure the air conditioner is properly grounded. To minimize shock and fire hazards, proper grounding is important. The power cord is equipped with a three-prong grounded plug for protection against shock hazards.
- Your air conditioner must be used in a properly grounded wall receptacle. If the wall receptacle you intend to use is not adequately grounded or protected by a time delay fuse or circuit breaker, a qualified electrician will have to install the proper receptacle.
- Do not run the air conditioner with a protective cover on the outside of the unit. This could result in mechanical damage within the air conditioner.
- **Do not use an extension cord or an adapter plug.**

WARNING Avoid fire hazard or electric shock. Do not use an extension cord or an adaptor plug. Do not remove any prong from the power cord.

Grounding type wall receptacle



Power supply cord with 3-prong grounding plug and current detection device

IMPORTANT SAFETY INSTRUCTIONS

READ THIS SECTION BEFORE ATTEMPTING TO OPERATE YOUR AIR CONDITIONER

The power supply cord contains a current device that senses damage to the power cord. Follow the instructions below to test your power cord.

1. Plug in your air conditioner
2. The power supply cord will have TWO buttons on the plug. Press the TEST button. You will notice a click as the RESET button pops out.
3. Press the RESET button. The button will click when the RESET button engages.
4. The power supply cord is now supplying electricity to the unit.

NOTE:

- Do not use this device to turn the unit on or off.
- Always make sure the RESET button is engaged for correction operation
- The power supply cord must be replaced if it fails to reset when either the TEST button is pushed, or it cannot be reset. A new one can be obtained from Soleus Air Powered by Gree.
- If the power supply cord is damaged, it CANNOT be repaired. It MUST be replaced with one obtained from Soleus Air Powered by Gree.

OPERATION OF CURRENT DEVICE

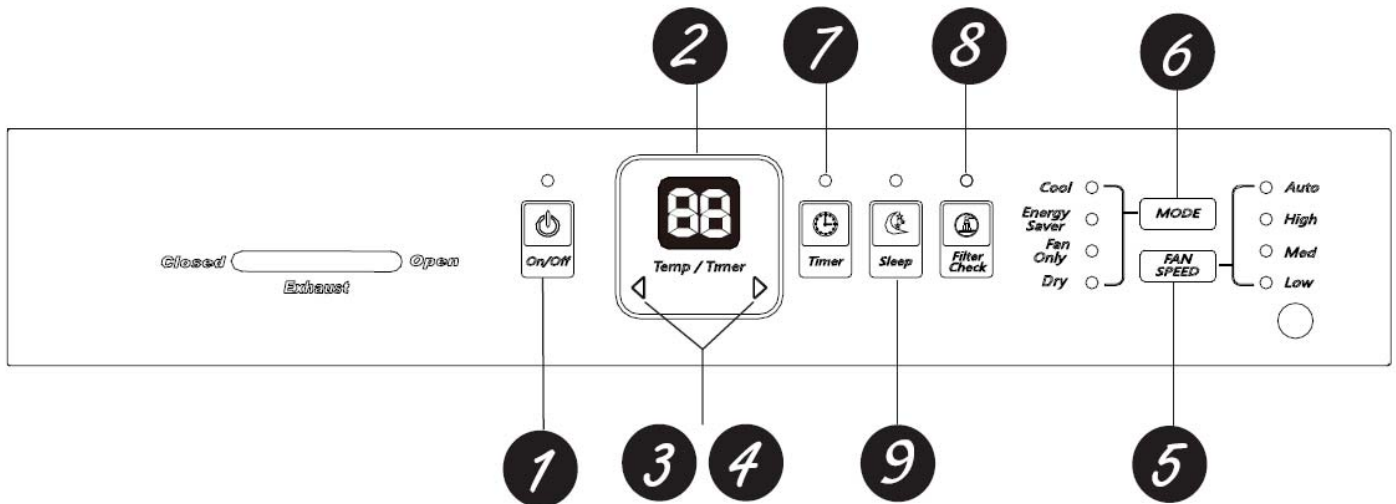


NOTE: Some plugs have Buttons on the side

OPERATING YOUR AIR CONDITIONER

Before you start using your air conditioner, please familiarize yourself with the control panel and remote control functions. This air conditioner can be controlled by the control panel (touch pad) or the included remote control.

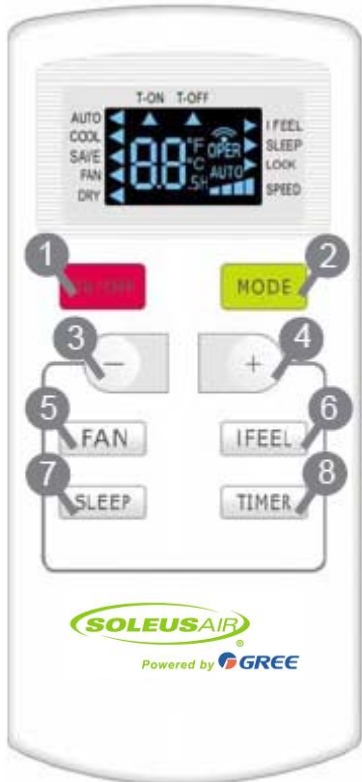
CONTROL PANEL (TOUCH PAD)



- 1) **Power On and Off** - Press the **POWER** to turn the unit ON and OFF.
- 2) **Digital Display** - Displays the Set Temperature in Auto, Cooling, Energy Saver or Dry Mode, as well as the Time for the Timer function. Displays the ambient temperature in fan mode.
- 3) **Temperature Select** - Select the desired temperature by pressing either ◀ or ▶ button when using the unit in cooling, Energy Saver, or Dry mode. The temperature indicator flashes to display the desired temperature setting. After the temperature is set, the unit will display this temperature setting until it is changed by the user.
- 4) **Timer Select** - Select the desired ON/OFF time amount by pressing either ◀ or ▶ button
- 5) **Fan Speed Control** - Press the **FAN** Button to cycle through the different fan speeds: **High, Medium, low, and Auto.**
- 6) **Mode Selection** - Press the **MODE** Button repeatedly to cycle between the different modes: Cooling, Energy Saver, Dehumidifier, Fan, and Auto mode.
- 7) **Auto-on Timer** - To program the Auto-on timer, press the **TIMER** button when the unit is powered off. Press the ◀ or ▶ buttons to change the timer to the desired amount of time (.5-24 hours) for the unit to automatically turn on. **Auto-off Timer** - To program the Auto-off Timer, press the **TIMER** button when the unit is powered on. Press the ◀ or ▶ buttons to change the timer to the desired amount of time (.5-24 hours) for the unit to automatically turn on.
- 8) **Filter Check** - After the unit is on for 250 hours, the filter check light will turn on to remind you to clean the filter. Press the Filter Check button once the filter has been cleaned to turn the warning off.
- 9) **Sleep Mode** - Press this button to put the unit into sleep mode when in cooling or dry mode. Sleep mode automatically reduces set temperature by 2°F after one hour and 4°F after two hours. This feature limits compressor usage and in turn enhances energy saving while you are sleeping.

OPERATING YOUR AIR CONDITIONER

REMOTE CONTROL

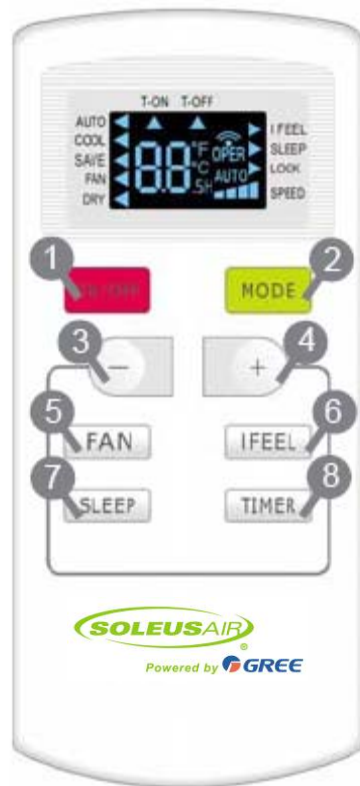


1. **ON/OFF** - Press the ON/OFF button to turn the A/C on or off. When the unit is turned off, the Timer and sleep functions will be cancelled. The set temperature will be saved.
 2. **MODE** - Press the MODE button to change the operating mode. You can choose AUTO, COOL, SAVE (energy saver), FAN only, or Dry (Dehumidifier). The temperature will not be displayed when AUTO mode is selected.
 3. **"-"** - Press the "-" button to decrease the temperature when the unit is on. Press and hold the "-" button for more than 2 seconds to quickly cycle through the temperature options. Stop pressing the button when the desired temperature is displayed. The temperature cannot be set in auto mode. Temperature range: 61°F - 86°F.
 4. **"+"** - Press the "+" button to increase the temperature when the unit is on. Press and hold the "+" button for more than 2 seconds to quickly cycle through the temperature options. Stop pressing the button when the desired temperature is displayed. The temperature cannot be set in auto mode. Temperature range: 61°F - 86°F.
 5. **FAN** - Press the FAN button to turn change the FAN options. You can choose between four speeds and auto mode. The fourth fan option is only available in cooling and energy saver modes.
 6. **IFEEL MODE** - Press the IFEEL button to change the thermostat sensor from the air conditioner to the remote location. The air conditioner will cool the area depending on the location and set temperature of the remote control. Take the remote control with you so the air conditioner cools the room to your location.
 7. **SLEEP MODE** - Press the SLEEP button to turn SLEEP mode on or off. SLEEP mode is set to off automatically. When SLEEP mode is selected the timer can be adjusted. SLEEP mode is not available in Fan or Auto mode. Sleep mode automatically reduces set temperature by 2°F after one hour and 4°F after two hours. This feature limits compressor usage and in turn enhances energy saving while you are sleeping.
 8. **TIMER** - Press the TIMER button when the unit is off to set up the Auto-on timer. The Auto-on time can be set between .5 - 24 hours. The icons "T-ON" and "H" will flash for 5 seconds. Start selecting the time using the "+" and "-" buttons before the icons stop flashing. The time will increase/decrease in .5 hour increments with each press of the "+" or "-" buttons. To cancel the Auto-on time, manually press the ON/OFF button to turn the unit on.
- Press the TIMER button when the unit is on to set up the Auto-off timer. The Auto-off time can be set between .5 - 24 hours. The icons "T-OFF" and "H" will flash for 5 seconds. Start selecting the time using the "+" and "-" buttons before the icons stop flashing. The time will increase/decrease in .5 hour increments with each press of the "+" or "-" buttons. To cancel the Auto-off time, manual press the ON/OFF button to turn the unit off.
- Once the Auto-on or Auto-off time is set, the "T-On" or "T-Off" and "H" will blink for 2 seconds. After 2 seconds the set temperature will be displayed.

Battery Size: AAA - NOTE: Do not mix old and new batteries or different types of AAA batteries.

OPERATING YOUR AIR CONDITIONER

REMOTE CONTROL





9. **LOCK/UNLOCK**- Press the “+” and “—” buttons simultaneously to lock and unlock the remote control. When the remote is locked, none of the functions or setting can be changed using the remote.
10. **F° or C°** - To switch between the F° or C° settings, press the MODE and “—” buttons at the same time.
11. **DISPLAY LIGHTS**- Hold the “+” and FAN buttons to turn the lights on the display ON or OFF. This can be done when the unit is on or off.
12. **ENERGY SAVER MODE** - When the unit is in energy saver mode, the Energy Saver light will turn on. In Energy Saver mode, the unit will turn-off once the room is cooled to the user set temperature. The fan will also be off at this point. The unit will turn back on when the room temperature rises above the user set temperature.

Battery Size: AAA - NOTE: Do not mix old and new batteries or different types of AAA batteries.

OPERATING YOUR AIR CONDITIONER

AIR CONDITIONER FEATURES

 There is a 3 minute delay when cooling mode is engaged or disengaged. This delay prevents the compressor from overheating and possible tripping of the circuit breaker. The fan will continue to run during this time. 

The temperature control will maintain the set temperature within 2°F, between 60°F and 90°F degrees.

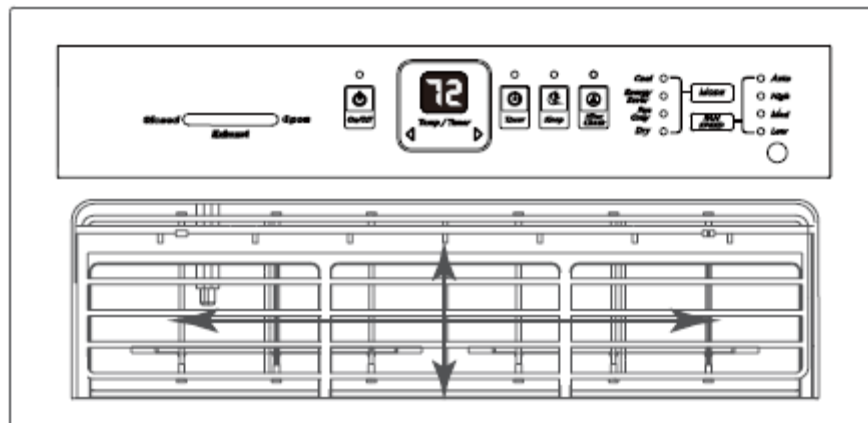
EXHAUST CONTROL



The Exhaust control allows the air conditioner to recirculate inside air when it is set to CLOSED. When it is set to OPEN the air conditioner exhaust air outside and brings in fresh air. Use the CLOSED position when maximum cooling is needed. OPEN removes stale inside air and replaces it with fresh air.

4-WAY DIRECTIONAL LOUVERS

Direct air up, down, left, or right throughout the room with the 4-way directional louvers.



TAKING CARE OF YOUR AIR CONDITIONER

CARE AND CLEANING

Clean your air conditioner to keep it looking new and to minimize dust build up.

Air Filter Cleaning

The air filter should be checked at least once every month to see if it needs cleaning. Trapped particles and dust can build up in the filter and may decrease airflow as well as cause the cooling coils to accumulate frost. To clean the air filter:

1. Remove the filter grasping the center and pulling up and out (See FIG. 13)
2. Wash the filter using liquid dish soap and warm water. Rinse the filter thoroughly. Gently shake the filter to remove excess water.
3. Let the filter dry completely before placing it into the air conditioner.
4. If you do not wish to wash the filter, you may vacuum the filter to remove the dust and other particles.

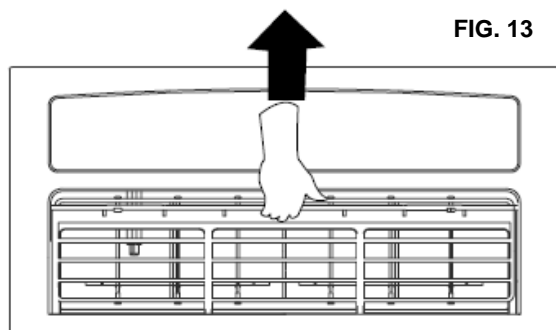


FIG. 13

Wear and Tear

To minimize wear and tear on the air conditioner, always wait at least 3 minutes before changing modes. This will help prevent the compressor from overheating and the circuit breaker from tripping.

Winter Storage

To store the air conditioner when it is not in use for an extended period of time, remove it carefully from the window according to the installation instructions and cover it with plastic or place it in the original box.

Cabinet Cleaning

To clean the air conditioner cabinet:

- Unplug the air conditioner to prevent shock or a fire hazard. The cabinet and front panel of the air conditioner may be dusted with an oil-free cloth or washed with a cloth dampened in a solution of warm water and mild liquid soap. Rinse thoroughly with a damp cloth and wipe dry.
- Never use harsh cleaners, wax or polish on the cabinet front.
- Be sure to wring excess water from the cloth before wiping around the controls. Excess water in or around the controls may cause damage to the air conditioner.

Energy Saving Ideas

- Do not block the air flow inside with blinds, curtains or furniture; or outside with shrubs, enclosures, or other buildings.
- The capacity of the room air conditioner must fit the room size for efficient and satisfactory operation.
- Install the room air conditioner on the shady side of your home. A window that faces North is best because it receives the least amount of sun exposure.
- Close the fireplace damper, floor and wall registers so cool air does not escape.
- Keep blinds and drapes closed for cooling and open for heating.
- Clean the air filter as recommended in the "care and cleaning" section.
- Proper insulation and weather stripping in your home will help limit cool air loss.
- External house shading with trees, plants, or awnings helps reduce the air conditioner's work load.
- Operate heat producing appliances during the coolest part of the day. Such as a dishwasher, oven, or computer.

TROUBLESHOOTING

PROBLEM	POSSIBLE CAUSES	SOLUTIONS
The Air Conditioner will not start	The air conditioner is unplugged	<ul style="list-style-type: none"> • Make sure the air conditioner is plug is pushed completely into the outlet
	The fuse is blown/circuit breaker is tripped.	<ul style="list-style-type: none"> • Check the house fuse/circuit breaker box and replace the fuse or reset the breaker.
	Power Failure	<ul style="list-style-type: none"> • The unit will automatically re-start when power is restored. • There is a protective time delay (approx. 3 minutes) to prevent tripping of the compressor overload. For this reason, the unit may not start normal cooling for 3 minutes after it is turned back on.
	The current interrupter device is tripped.	<ul style="list-style-type: none"> • Press the RESET button located on the power cord plug. • If the RESET button will not stay engaged, discontinue use of the air conditioner and contact a qualified service technician.
The Air Conditioner does not cool as it should	Airflow is restricted	<ul style="list-style-type: none"> • Make sure there are no curtains, blinds, or furniture blocking the front of the air conditioner
	The temperature control may not be set correctly.	<ul style="list-style-type: none"> • Lower the set thermostat temperature
	The air filter is dirty	<ul style="list-style-type: none"> • Clean the filter. See the Cleaning and Care Section of the manual.
	The room may be too warm	<ul style="list-style-type: none"> • Please allow time for the room to cool down after turning on the air conditioner.
	Cold air is escaping	<ul style="list-style-type: none"> • Check for open furnace registers and cold air returns
	The Cooling Coils are frozen	<ul style="list-style-type: none"> • See “Air Conditioner Freezing Up” below.
The Air Conditioner is freezing up	Ice blocks the air flow and stops the air conditioner from cooling the room	<ul style="list-style-type: none"> • Set the MODE dial to HIGH FAN or HIGH COOL and set the thermostat to a higher temperature
The Remote Control is not working	The batteries are inserted incorrectly	<ul style="list-style-type: none"> • Check the position of the batteries.
	The batteries may be dead	<ul style="list-style-type: none"> • Replace the batteries

TROUBLESHOOTING

TROUBLESHOOTING (CONT.)

PROBLEM	POSSIBLE CAUSES	SOLUTIONS
Water is dripping outside	Hot and Humid weather.	<ul style="list-style-type: none">• This is normal
Water is dripping inside the room	The air conditioner is not correctly tilted outside.	<ul style="list-style-type: none">• For proper water drainage, make sure the air conditioner is slightly tilted downward from the front of the unit to the rear.
Water collects in the base pan	Moisture removed from the air is draining into the base pan.	<ul style="list-style-type: none">• This is normal for a short period in areas with low humidity and normal for a longer period in areas with high humidity.
The Air Conditioner Display reads "AS"	A Sensor has failed in the air conditioner	<ul style="list-style-type: none">• Contact customer service
The Air Conditioner Display reads "HS"	A Sensor has failed in the air conditioner	<ul style="list-style-type: none">• Contact customer service
The Air Conditioner Display reads "ES"	A Sensor has failed in the air conditioner	<ul style="list-style-type: none">• Contact customer service

WARRANTY

One Year Limited Warranty

Soleus International, Inc. warrants the accompanying Soleus Air Powered by Gree Air Conditioner to be free of defects in material and workmanship for the applications specified in its operation instruction for a period of ONE (1) year from the date of original retail purchase in the United States.

If the unit exhibits a defect in normal use, Soleus International will, at its option, either repair or replace it, free of charge within a reasonable time after the unit is returned during the warranty period.

As a condition to any warranty service obligation, the consumer must present this Warranty Certificate along with a copy of the original purchase invoice.

THIS WARRANTY DOES NOT COVER:

- Damage, accidental or otherwise, to the unit while in the possession of a consumer not caused by a defect in material or workmanship.
- Damage caused by consumer misuse, tampering, or failure to follow the care and special handling provisions in the instructions.
- Damage to the finish of the case, or other appearance parts caused by wear.
- Damage caused by repairs or alterations of the unit by anyone other than those authorized by Soleus International Inc.
- Freight and Insurance cost for the warranty service.
- Filter and Accessories

ALL WARRANTIES, INCLUDING ANY IMPLIED WARRANTY OF MERCHANT ABILITY ARE LIMITED TO ONE-YEAR DURATION OF THIS EXPRESS LIMITED WARRANTY. **SOLEUS INTERNATIONAL INC.** DISCLAIMS ANY LIABILITY FOR CONSEQUENTIAL OR INCIDENTAL DAMAGES AND IN NO EVENT SHALL SOLEUS INTERNATIONAL INC'S LIABILITY EXCEED THE RETAIL VALUE OF THE UNIT FOR BREACH OF ANY WRITTEN OR IMPLIED WARRANTY WITH RESPECT TO THIS UNIT.

This warranty covers only new products purchased from our authorized dealers or retailers. It does not cover used, salvaged, or refurbished products.

As some states do not allow the limitation or exclusion of incidental or consequential damages, or do not allow limitation on implied warranties, the above limitations and exclusions may not apply to you. This warranty gives you specific legal rights, and you may also have other rights that vary from state to state.

For Technical Support and Warranty Service

Please Call (888) 876-5387

Or Write To:

Soleus International, Inc.
20035 E. Walnut Dr. N.
City of Industry, CA 91789
www.soleusair.com
www.soleusgreen.com