



.....  
***BARRACUDA 9***  
.....

***Disc Drive***  
.....

***ST19171N/W/WD/WC/DC***  
.....

.....  
***Installation Guide***  
.....

# Contents

Preface .....	1
Electrostatic discharge protection .....	1
Important safety information and precautions.....	2
Wichtige Sicherheitshinweise .....	4
European Union Compliance .....	8
Technical support services .....	9
General description.....	11
Initial setup information.....	16
Kühlung des Systems .....	21
Installation des Laufwerkes und Anschluß der Kabel.....	23
N drives section .....	28
W/WD drives section .....	32
WC/DC drives section.....	37

©1995 Seagate Technology, Inc. All rights reserved  
Publication Number: 83329020, Rev. A  
February 1996

Seagate®, Seagate Technology®, and the Seagate logo are registered trademarks of Seagate Technology, Inc. Barracuda™, SeaFAX™, SeaFONE™, SeaTDD™, and SeaBOARD™ are trademarks of Seagate Technology, Inc.

Apple and Macintosh are registered trademarks of Apple Computer, Inc. Other product names are registered trademarks or trademarks of their owners.

No part of this publication may be reproduced in any form without written permission from Seagate Technology, Inc.

## Preface

This manual contains information for users of the Seagate® ST19171 Barracuda™ 9 SCSI disc drives. It provides support services, performance specifications, and initial setup information. Additional information is available in the *Barracuda 9 Product Manual* (part number 83329030). Contact your Seagate sales representative if you need to order this publication.

## Electrostatic discharge protection

**Caution.** Removal of circuit boards by personnel not performing depot repair will damage components and may void the warranty.

All drive electronic assemblies are sensitive to static electricity, due to the electrostatically sensitive devices used within the drive circuitry. Although some devices such as metal-oxide semiconductors are extremely sensitive, all semiconductors, as well as some resistors and capacitors, may be damaged or degraded by exposure to static electricity.

Electrostatic damage to electronic devices may be caused by the direct discharge of a charged conductor or by exposure to the static fields surrounding charged objects. To avoid damaging drive electronic assemblies, observe the following precautions when installing or servicing the drive:

- Ground yourself to the drive whenever the drive electronics are or will be exposed. Connect yourself to ground with a wrist strap (Seagate part number 12263496). Connection may be made to any grounded metal assembly. As a general rule, remember that you and the drive electronics must all be grounded to avoid potentially damaging static discharges.

- Turn off the power before removing or installing the DC power cable.
- Do not remove any circuit boards from the drive.
- Never use an ohmmeter on any circuit boards.
- When installing the drive on a carrier or tray, discharge the carrier or tray prior to inserting it into the system.

## **Important safety information and precautions**

**Caution.** Use forced-air ventilation when bench-testing the drive to ensure proper cooling of drive components.

Use proper safety and repair techniques for safe, reliable operation of this unit. Service should be done only by qualified persons. We recommend the procedures in this manual as effective ways of servicing the unit. Some procedures require the use of special tools. For proper maintenance and safety, you must use these tools as recommended.

The procedures in this manual and labels on the unit contain warnings and cautions that must be carefully read and followed to minimize or eliminate the risk of personal injury. The warnings point out conditions or practices that may endanger you or others. The cautions point out conditions or practices that may damage the unit, possibly making it unsafe for use.

These warnings and cautions are not exhaustive. We cannot possibly know, evaluate, and advise you of all the ways in which maintenance might be performed or the possible risk of each technique. Consequently, we have not completed any such broad evaluation. If you use a non-approved procedure or tool, first ensure that the method you choose will not risk either your safety or unit performance.

---

Always observe the following warnings and precautions:

- Perform all maintenance by following the procedures in this manual.
- Follow all cautions and warnings in the procedures.
- Use sound safety practices when operating or repairing the unit.
- Use caution when troubleshooting a unit that has voltages present. Turn off power to the unit before servicing it.
- Wear safety shoes when removing or replacing heavy parts.
- Ensure that the internal temperature of the rack or cabinet does not exceed the limits defined for the drive when the drive is mounted in an equipment rack or cabinet. When units are stacked vertically, pay special attention to the top where temperatures are usually highest.
- Follow the precautions listed above in “Electrostatic discharge protection.”
- Do not remove any circuit boards from the drive chassis. Return the entire drive for depot repair if any circuit board is defective. Removal of circuit boards by personnel not performing depot repair will damage components and may void the warranty.
- Do not remove the head and disc assembly (HDA) from the drive chassis. Return the entire drive for depot repair if the HDA is defective.
- Do not attempt to disassemble the HDA. It is not field repairable. If the sealed HDA is opened by personnel not performing depot repair, this will damage components and void the warranty.

As a component, this drive is designed to be installed and operated in accordance with UL1950, EN60950, CSA C22.2 950-M89, and VDE0805.

Seagate takes all reasonable steps to ensure that its products are certifiable to currently accepted standards. Typical applications of these disc drives include customer packaging and subsystem design. Safety agencies conditionally certify component assemblies, such as the Barracuda disc drive, based on their final acceptability in the end-use product. The subsystem designers are responsible for meeting these conditions of acceptability in obtaining safety-regulatory agency compliance in their end-use products and for certifying where required by law. A necessary part of meeting safety requirements is the provision for overcurrent protection on drive SELV supply voltages.

This unit is a component part and as such is not meant to comply with FCC or similar national requirements as a stand-alone unit. Engineering radiated emissions test results are available through the Seagate Safety Department to assist the subsystem designer.

## **Wichtige Sicherheitshinweise**

**Vorsicht.** Beim Testen des Laufwerks auf dem Prüftisch ist Fremdbelüftung vorzusehen, um eine ausreichende Kühlung der Laufwerkkomponenten sicherzustellen.

Verwenden Sie geeignete Sicherheits- und Reparaturverfahren, um den sicheren, zuverlässigen Betrieb dieser Einheit zu gewährleisten. Reparaturen dürfen nur von qualifiziertem Fachpersonal vorgenommen werden. Wir empfehlen die Verfahren in diesem Handbuch als effektive Methoden zur Wartung und Rep-

atur der Einheit. Einige Verfahren erfordern Spezialwerkzeuge; diese müssen zur sachgemäßen Ausführung der Wartungsarbeiten und aus Sicherheitsgründen den Empfehlungen entsprechend verwendet werden.

Die Verfahren in diesem Handbuch und die Aufkleber auf dem Gerät enthalten Warn- und Vorsichtshinweise. Diese Hinweise sind sorgfältig durchzulesen und zu beachten, um das Risiko von Verletzungen auf ein Mindestmaß zu beschränken oder ganz zu vermeiden. Die Warnhinweise machen auf Situationen oder Praktiken aufmerksam, die Sie oder andere gefährden könnten. Die Vorsichtshinweise machen auf Situationen oder Praktiken aufmerksam, die die Einheit beschädigen können, so daß deren Gebrauch mit Risiko behaftet ist.

Die Warn- und Vorsichtshinweise sind nicht allumfassend! Es ist uns einfach nicht möglich, alle Wartungsmethoden oder die eventuellen Risiken jeder Methode zu kennen, zu beurteilen und Sie entsprechend zu beraten. Aus diesem Grund haben wir auf eine derartige umfassende Beurteilung verzichtet. Falls Sie ein hier nicht beschriebenes Verfahren oder Werkzeug verwenden, stellen Sie zuerst sicher, daß das gewählte Verfahren weder Ihre persönliche Sicherheit noch die Leistung der Einheit gefährdet.

Beachten Sie in jedem Fall die folgenden Warn- und Vorsichtshinweise:

- Führen Sie alle Wartungsarbeiten entsprechend den Anweisungen in diesem Handbuch aus.
- Beachten Sie alle Warn- und Vorsichtshinweise in diesem Handbuch.
- Treffen Sie beim Betrieb oder bei der Reparatur der Einheit angemessene Sicherheitsvorkehrungen.

- Wenn eine Einheit unter Spannung steht, gehen Sie bei der Fehlerdiagnose besonders vorsichtig vor. Schalten Sie die Einheit aus, bevor Sie mit den Reparaturarbeiten beginnen.
- Tragen Sie Sicherheitsschuhe, wenn Sie schwere Teile aus- bzw. einbauen.
- Wenn das Laufwerk in einem Einbaugestell oder Gehäuse montiert ist, sorgen Sie dafür, daß die Temperatur im Inneren des Gestells oder Gehäuses die für das Laufwerk vorgegebenen Grenzwerte nicht übersteigt. Wenn Einheiten vertikal übereinander betestigt werden, achten Sie besonders auf den oberen Stapelbereich, da dort die Temperatur gewöhnlich am höchsten ist.
- Befolgen Sie die oben unter "Electrostatic Discharge Protection" angegebenen Sicherheitsmaßnahmen.
- Nehmen Sie keine Platinen aus dem Laufwerkgehäuse. Wenn eine Platine defekt ist, muß das gesamte Laufwerk zur Reparatur eingeschickt werden. Die Herausnahme von Platinen durch andere Personen als die für die werkseitige Reparatur zuständigen kann zu einer Beschädigung der Komponenten und Erlöschen des Garantieanspruchs führen.
- Die vormontierte Kopf- und Festplatteneinheit (HDA) nicht aus dem Laufwerkgehäuse nehmen! Falls die HDA beschädigt ist, schicken Sie das gesamte Laufwerk zur Reparatur ein.
- Die HDA ist nicht vor Ort reparierbar und darf nicht auseinandergenommen werden! Öffnen der versiegelten HDA durch andere Personen als die für die werkseitige Reparatur zuständigen hat eine Beschädigung der Komponenten und Erlöschen des Garantieanspruchs zur Folge.



Als Teilkomponente ist dieses Laufwerk für die Installation und den Betrieb in Übereinstimmung mit UL 1950, EN60950, CSA C22.2 950-M89 und VDE0805 vorgesehen.

Seagate ist ständig bemüht, die Zulassungsfähigkeit von Seagate-Produkten im Rahmen der gegenwärtig geltenden Standards zu gewährleisten. Zu den typischen Anwendungen dieser Festplattenwerke zählen Systemeinstbau durch den Kunden und die Konstruktion von Untersystemen. Sicherheitsbehörden gewähren eine bedingte Zulassung für Komponenten wie das Barracuda-Festplattenlaufwerk vorbehaltlich der endgültigen Zulassung im Endprodukt. Designer von Untersystemen sind dafür verantwortlich, die Voraussetzungen für die Einhaltung sicherheits- oder aufsichtsbehördlicher Vorschriften in ihren Endprodukten und - falls gesetzlich vorgeschrieben - für die Zulassung zu schaffen. Eine Grundvoraussetzung zur Einhaltung der Sicherheitsanforderungen ist die Bereitstellung eines Überlastschutzes für die SELV-Versorgungsspannungen des Laufwerks.

Dieses Gerät ist eine Baugruppe und unterliegt als solche nicht den Anforderungen der FCC oder ähnlicher nationaler Behörden für eigenständige Geräte. Technische Testergebnisse zu elektromagnetische Strahlung sind für Designer von Untersystemen auf Anfrage von der Seagate-Sicherheitsabteilung erhältlich.

## European Union Compliance

If this model has the CE Marking, it complies with the European Union requirements of the Electromagnetic Compatibility Directive 89/336/EEC of 03 May 1989 as amended by Directive 92/31/EEC of 28 April 1992 and Directive 93/68/EEC of 22 July 1993.

Seagate uses an independent laboratory to confirm compliance to the above directives. The drive was tested in a representative system for typical applications. The selected system represents the most popular characteristics for test platforms. The system configurations include:

- 486, Pentium, and PowerPC Microprocessors
- 3.5-inch Floppy Disc Drive
- Keyboard
- Monitor/Display

Although the test system with this Seagate model complies to the directives, we cannot guarantee that all systems will comply. The computer manufacturer or system integrator shall confirm EMC compliance and provide CE Marking for their product.

## Technical support services

Seagate Technology provides technical support literature and diagnostic utilities to authorized distributors. Please contact your dealer for technical support and installation troubleshooting. Product technical support is available for all Seagate products by calling the SeaFAX™, SeaFONE™, SeaTDD™, or SeaBOARD™ services. These are toll calls if you dial from outside of the number's local dialing area. Seagate also has a forum on CompuServe and an internet web site.

### **SeaFAX: USA (408) 438-2620; England 44-62-847-7080**

Use a touch-tone telephone to access Seagate's automated FAX system and select technical support information by return FAX. This service is available 24 hours a day, 7 days a week.

### **CompuServe forum**

Online support for Seagate products is available on CompuServe. This includes an extensive question and answer message base, downloadable utilities, and documentation files in Adobe™ Acrobat™ format which you can download and view from your own computer. Type "Go Seagate" to access this service.

### **SeaFONE: (408) 438-8222**

Technical support specialists are available from 8:00 A.M. to 5:00 P.M. PST, Monday through Friday. Recorded technical information on selected Seagate products is provided while you are on hold. Recordings are accessible 24 hours a day, 7 days a week.

## SeaTDD: (408) 438-5382

TDD is a telecommunication device for the deaf where two people can communicate using a keyboard connected to the phone line. A TDD device is required to access this service, which is available from 8:00 A.M. to 5:00 P.M. PST, Monday through Friday.

## SeaBOARD

The Seagate Technical Support Bulletin Board System (BBS) is available 24 hours a day, 7 days a week. A modem is required to access this service. The communications software must be set for eight data bits, no parity, and one stop bit (8N1). These operate at 300 to 9600 baud. With this service you can access:

- Specifications and jumper configurations
- Reprints of documentation
- Utilities that you can download to your own computer

<b>SeaBOARD Location</b>	<b>Modem number</b>
USA, Mexico, Latin America.....	(408) 438-8771
England.....	44-62-847-8011
Germany.....	49-89-140-9331
Singapore.....	65-292-6973
Australia.....	61-2-756-2359
Canada.....	(416) 856-5581
France.....	33-1-40-67-1034
Korea.....	82-2-556-7294

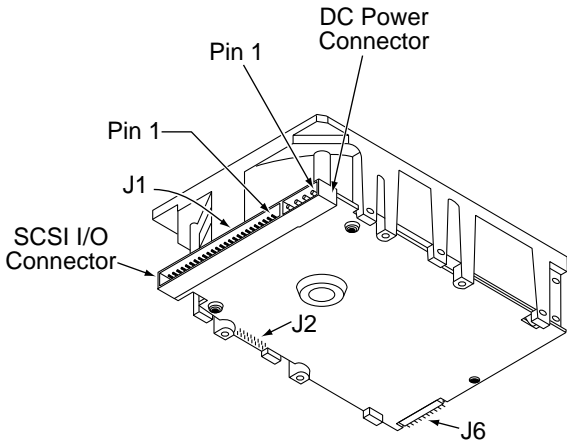
## Internet web site: [www.seagate.com](http://www.seagate.com)

Support services, product information, and much more is provided on this web site.

## General description

Barracuda 9 SCSI disc drives are high-speed, random-access digital-data storage devices.

The drive is a component for installation in an enclosure designed for the drive. This is often a rack within the system or an external enclosure designed to house one or more disc drives or other peripheral units. In either case, the disc drive must receive adequate cooling (refer to “Providing adequate cooling”) and it must be sufficiently grounded and shielded from emissions. The *Barracuda 9 Product Manual* (part number 83329030) contains guidelines for a properly designed enclosure.



**Figure 1. Barracuda 9 disc drive (N model shown)**

<b>Characteristics</b>	<b>ST19171</b>
Interface	UltraSCSI <sup>1</sup>
Capacity	
Unformatted	11.7 Gbytes
Formatted <sup>2</sup>	9.1 Gbytes
Recording	
Cylinders (user)	5,273
Read/write data heads	20
Servo heads	Embedded
Seek time <sup>3</sup>	
Average read	9.0 msec
Average write	10.5 msec
Disc rotation	
RPM	7,200
Average latency	4.17 msec
Internal transfer rate (Mbits/sec, variable with zone)	80 to 124
Max sync. SCSI transfer rate	
N	20 Mbytes/sec
W/WD/WC/DC	40 Mbytes/sec
Multi-segmented cache	512 Kbytes 2,048 Kbytes (optional)

<sup>1</sup>Can also be operated according to SCSI-1 and SCSI-2 protocols.

<sup>2</sup>Standard factory units are formatted as follows:  
 512 data bytes per sector  
 9 spare sectors per cylinder  
 1 cylinder at the inner track reserved for spares

<sup>3</sup>Not including on-board controller overhead.

**DC power requirements**

	<b>Single-ended</b>		<b>Differential</b>	
	<b>+5V<sup>11</sup></b>	<b>+12V</b>	<b>+5V<sup>11</sup></b>	<b>+12V</b>
<b>Voltage regulation<sup>5</sup></b>	<b>± 5%</b>	<b>± 5%<sup>2</sup></b>	<b>± 5%</b>	<b>± 5%<sup>2</sup></b>
	<b>Amps</b>			
Maximum operating current <sup>1</sup>	1.02	0.83	TBD	TBD
Maximum starting current				
Peak DC <sup>3, 6</sup>	0.98	2.2	TBD	TBD
Peak AC <sup>3</sup>	–	3.1	TBD	TBD
Delayed motor start (max) <sup>1, 4</sup>	1.04	0.05	TBD	TBD
Peak operating current				
Typical DC <sup>1</sup>	0.97	0.8	TBD	TBD
Maximum DC <sup>1</sup>	1.02	0.83	TBD	TBD
Maximum (peak)	1.09	1.8	TBD	TBD
Track following (DC)				
at OD <sup>1</sup>	0.94	0.74	TBD	TBD
at ID <sup>1</sup>	0.92	0.76	TBD	TBD
Read track				
OD DC <sup>1</sup>	1.05	0.79	TBD	TBD
AC	1.14	1.0	TBD	TBD
Seeking				
Typical DC <sup>1, 13</sup>	0.97	0.92	TBD	TBD
Maximum DC <sup>1</sup>	1.00	1.04	TBD	TBD
Maximum (peak) AC	1.03	1.8	TBD	TBD

<sup>1</sup> Measured with an average reading DC ammeter. Instantaneous +12V current peaks will exceed these values.

- <sup>2</sup>A  $-10\%$  tolerance is permissible during initial start of the spindle but must return to  $\pm 5\%$  before reaching 7,200 RPM. The  $\pm 5\%$  must be maintained after the drive signifies that its power-up sequence has been completed and that the drive is able to accept selection by the host initiator.
- <sup>3</sup>See the +12V current profile in the *Barracuda 9 Product Manual* (publication number 83329030).
- <sup>4</sup>This condition occurs when the Motor Start option is enabled and the drive has not yet received a Start Motor command.
- <sup>5</sup>See “Conducted noise immunity” in the *Barracuda 9 Product Manual*. The specified voltage tolerance is inclusive of ripple, noise, and transient response.
- <sup>6</sup>At power-up, the motor current regulator limits the +12V current to an average value of less than 1.4A, although instantaneous peaks may exceed this value. These peaks should measure 5 msec duration or less.
- <sup>7</sup>Minimum current loading for each supply voltage is not less than 4% of the maximum operating current shown.
- <sup>8</sup>Use separate ground returns for +5V and +12V supplies.
- <sup>9</sup>Where power is provided to multiple drives from a common supply, carefully consider individual-drive power requirements. Where multiple units are powered on simultaneously, be sure the peak starting current is available to each device.
- <sup>10</sup>Operating condition is a third-stroke seek at OD and read one Track. A command is issued every 0.075 seconds (every 0.063 seconds on wide and SCA drives).



- 
- <sup>11</sup>No terminator power. See 11.7.3.4 in the *Barracuda 9 Product Manual*.
- <sup>12</sup>All power-saving features are enabled; ASA II code only.
- <sup>13</sup>Seeking is defined as a third-stroke seek at OD. The command is issued every 20 msec.
- <sup>14</sup>Read track is defined as repeat reads of track 15 with a duty cycle of: 78% for N drives, 32% for W drives, 48% for WC drives, 44% for WD drives, and 44% for DC drives.

## Initial setup information

The general information beginning on this page applies to all of the Barracuda 9 drive models. After reading the general information topics, refer to the appropriate drive-specific section listed below for additional information about configuring and installing your particular model.

<b>Drive models</b>	<b>Page</b>
ST19171N	28
ST19171W      ST19171WD	32
ST19171WC    ST19171DC	37

## General information

The following general information topics are discussed:

- SCSI ID jumpers
- Drive termination
- Terminator power
- Interface drivers and data path width notes
- Other applicable jumper options
- Providing adequate cooling
- Mounting the drive and connecting cables\*
- Formatting the drive

\*This mounting procedure does not apply to WC or DC model drives. To mount a WC or DC drive, plug the drive into the system's single connector attachment (SCA) position on the system's back panel.

## SCSI ID jumpers

Each device on the SCSI chain must have a unique SCSI ID. The host system's SCSI controller usually uses the highest-numbered ID available; therefore the lower-numbered SCSI IDs are normally used for other SCSI devices such as this Barracuda disc drive.

**Note.** Most SCSI controllers (host adapters) allow you to skip a SCSI ID. For example, you can have ID0, ID1, and ID3 (skipping ID2). Other controllers do not allow this so be sure to refer to your system or controller user's manual for details about its requirements for proper SCSI device installation.

Most Barracuda disc drives are factory set with the SCSI ID set at 0. To change the SCSI ID, refer to the appropriate drive section for your model.

If, after completing the installation process, the drive's LED does not show on/off activity when the host is trying to communicate with the drive, a duplicate SCSI ID may be the problem. If this is the case, change the ID so that each device on the SCSI chain has its own unique ID. Also check your system or controller user's manual to ensure that you have not violated its SCSI ID numbering recommendations.

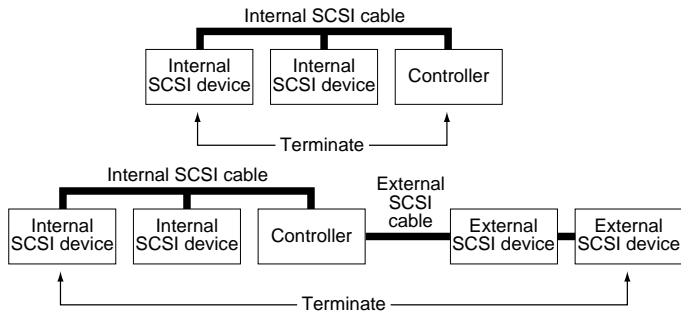
## Drive termination

If you are installing a Barracuda drive in a system that has other SCSI devices installed, terminate only the end devices on the SCSI chain. A SCSI "device" is any disc drive, scanner, tape backup unit, or other piece of hardware connected to your system using the SCSI bus.

The top example in Figure 2 shows an internal hard disc at one end of the SCSI bus with the SCSI controller at the other end (both are terminated). The bottom example shows two additional SCSI devices connected externally—this means the SCSI controller is no longer on the end of the SCSI chain and should not be terminated.

**Note.** Some controllers prefer to remain terminated even if they are in the middle of the chain. Also, some controllers treat the internal and external chains as separate logical buses. This means you may need to terminate both the first and last devices on both logical buses to achieve proper termination. If necessary, refer to your system or controller documentation to see how this is handled in your particular system.

For information about how to terminate your drive, refer to the appropriate drive-specific section.



**Figure 2. SCSI bus termination**

## **Terminator power**

You usually will not need to change this option and can normally leave the drive configured as it was shipped from the factory. For information about how to change the terminator power option on your drive, refer to the appropriate drive-specific section.

## **I/O circuits and data path widths**

- WD and DC models use differential I/O circuits. You cannot mix these models with single-ended models (N, W, WC) on the same SCSI bus. The circuits are incompatible with each other.
- W, WD, and WC models have a “wide” (16-bit) SCSI data bus rather than the standard (non-wide) 8-bit SCSI data bus; however, you can use these wide drives on a standard (non-wide) 8-bit data bus.

## **Providing adequate cooling**

The enclosure design must ensure adequate cooling for the drive. The maximum ambient temperature is 50°C.

The drive’s product manual (83329030) describes how to evaluate the air-flow design. The evaluation consists of ensuring that the case temperature of certain critical components remains within acceptable limits during drive operation.

We recommend orienting the drive or directing the air flow in a way that creates the least amount of air-flow resistance while providing air flow above the circuit boards and around the head and disc assembly (HDA). Also, choose the shortest possible path between the air inlet and exit. This minimizes the distance

traveled by air that is heated by the drive and by other nearby heat sources.

Figure 3 shows two design approaches with one or more fans used to generate air flow. The air-flow patterns can be created by the fans either pushing or drawing air. The overall flow pattern can be directed from front to back, back to front, or side to side.

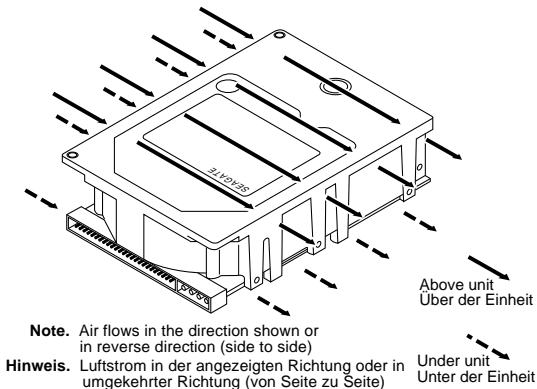
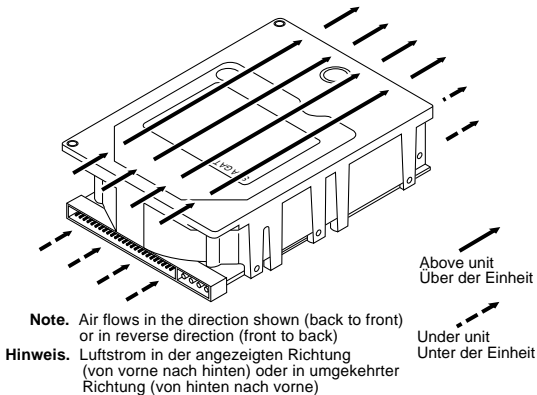
## **Kühlung des Systems**

Die Gehäusekonstruktion muß eine ausreichende Kühlung des Laufwerkes gewährleisten. Die Umgebungstemperatur darf maximal 50°C betragen.

Die Produkthandbuch Barracuda 9 (Dokument 83329030) enthalten Anweisungen zur Beurteilung der Luftstromkonstruktion. Die Beurteilung muß sicherstellen, daß sich die Gehäusetemperatur bestimmter kritischer Komponenten bei Laufwerkbetrieb innerhalb zugelassener Grenzen hält.

Wir empfehlen, das Laufwerk so zu orientieren oder den Luftstrom so zu lenken, daß der geringste Luftstromwiderstand erzeugt wird und gleichzeitig ein Luftstrom über den Platinen und um die Kopf- und Festplatteneinheit (HDA) gegeben ist. Wählen Sie einen möglichst kurzen Weg zwischen Lufteinlaß und -auslaß. Dadurch wird die Strecke, die die vom Laufwerk und anderen nahegelegenen Hitzequellen aufgewärmte Luft zurücklegt, auf ein Minimum beschränkt.

Abbildung 3 zeigt zwei Konstruktionsmöglichkeiten, bei denen ein oder mehrere Lüfter den Luftstrom erzeugen. Der Luftstromverlauf wird durch die Lüfter gesteuert, die entweder Luft einblasen oder abziehen. Generell kann der Luftstrom entweder von vorne nach hinten oder von hinten nach vorne verlaufen.



**Figure 3. Suggested air flow**  
**Abbildung 3. Empfohlener Luftstromverlauf**



---

## Mounting the drive and connecting cables

Do not touch the connector pins or any components on the control board without observing static-discharge precautions. Always handle the drive by the frame only.

The drive may be mounted in any orientation (horizontally, vertically, and any combination thereof); however, you must ensure that the drive receives adequate air flow for cooling.

1. Mount the drive to the host system's chassis using four 6-32 UNC screws. Two mounting holes are in each side of the drive and there are four mounting holes in the bottom of the drive.

The maximum length that the screws should extend into the chassis mounting holes is 0.15 inch (3.81 mm), measured from the outer surface of the chassis. Tighten the screws down evenly. Do not over-tighten or force the screw if it does not seem to screw in easily, because this means the threads are not properly aligned. In this case, back the screw out and try again.

---

## Installation des Laufwerkes und Anschluß der Kabel

Beachten Sie beim Handhaben und Anfassen der Anschlußstifte und Komponenten die Vorsichtsmaßnahmen zur Verhinderung statischer Aufladung. Fassen Sie das Laufwerk nur am Rahmen an.

Das Laufwerk kann in beliebiger Orientierung (horizontal, vertikal oder schräg) installiert werden; jedoch muß dafür gesorgt werden, daß ein ausreichender Luftstrom zur Kühlung des Laufwerkes vorhanden ist.

1. Befestigen Sie das Laufwerk mit vier 6-32-UNC-Schrauben am Gehäuse des Host-Systems. Die beiden Seiten des Laufwerkes sind mit jeweils zwei Befestigungslöchern versehen, die Unterseite des Laufwerkes weist vier weitere Befestigungslöcher auf.

Gemessen von der Außenfläche des Gehäuses dürfen die Schrauben maximal 3,81 mm in die Befestigungslöcher des Gehäuses hineinragen. Die Schrauben müssen gleichmäßig, jedoch nicht zu fest, angezogen werden. Wenn sich eine Schraube nicht ohne Widerstand einschrauben läßt, sind die Gewinde nicht korrekt aneinander ausgerichtet. In diesem Fall die Schraube nicht in das Gewindeloch forcieren, sondern die Schraube herausnehmen und erneut in das Gewindeloch einführen.

- 
2. Verify that all connections between the drive and the host system are correctly installed.

- 
2. Prüfen Sie, ob alle Verbindungen zwischen dem Laufwerk und dem Host-System korrekt hergestellt sind.

- 
3. Verify that you have correctly installed jumpers.

- 
3. Stellen Sie sicher, daß die Kennungsbrücken installiert sind.

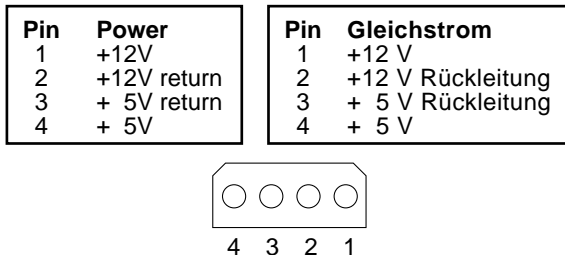
- 
4. Connect the SCSI cable into the drive's SCSI connector. Take care not to stretch or crimp this cable, and do not block the system's cooling air flow with the cable.

The drive receives DC power through a 4-pin connector mounted next to the SCSI connector. The output of a power supply must meet SELV (safety extra low voltage) as

defined in IEC 950. Figure 4 provides the pin information for the DC power connector. To connect the DC power cable to the drive, simply insert the cable end into the drive's DC power connector.

4. Schließen Sie das SCSI-Kabel an den SCSI-Steckverbinder des Laufwerkes an. Das Kabel darf nicht gedehnt oder gedrückt werden und es darf den Luftstrom zur Kühlung des Systems nicht behindern.

Das Laufwerk wird über einen 4-poligen, neben dem SCSI-Anschluß befestigten Steckverbinder mit Gleichstrom versorgt. Der Ausgang eines Netzteils muß SELV (safety extra low voltage) nach IEC 950 entsprechen. Abbildung 4 zeigt die Steckerbelegung für den Gleichstromanschluß. Zum Anschluß des Gleichstromkabels an das Laufwerk das Kabelende in den Gleichstromanschluß des Laufwerkes stecken.



**Figure 4. DC power connector**  
**Abbildung 4. Gleichstromanschluß**

**Note.** Signal ground on the power control board (PCB) and the head and disc assembly (HDA) are connected together in this drive and you cannot separate them. The equipment in which you have mounted the drive is connected directly to the HDA and PCB without electrically isolating shock mounts. Maximizing the conductive contact area between HDA ground and system ground may reduce radiated emissions.

If you do not want the system chassis to be connected to the HDA/PCB ground, you must provide a nonconductive (electrically isolating) method of mounting the drive in the host system. This may increase radiated emissions and is the system designer's responsibility.

---

### **Hinweis:**

Die Signalerde auf der Stromregelungskarte (PCB) und der Kopf- und Festplatteneinheit (HDA) sind in diesem Laufwerk miteinander verbunden und können nicht getrennt werden. Das Gerät, in das Sie das Laufwerk eingebaut haben, ist ohne elektrisch isolierende Stoßdämpfer direkt an die HDA und PCB angeschlossen. Die elektromagnetische Strahlung kann reduziert werden, indem Sie eine möglichst große leitende Kontaktfläche zwischen der HDA-Erdung und der Systemerdung vorsehen.

Wenn Sie das Systemgehäuse nicht an die HDA/PCB-Erdung anschließen wollen, müssen Sie das Laufwerk auf nichtleitende Weise (galvanisch isoliert) im Host-Sys-

tem einbauen. Die daraus u.U. resultierende verstärkte elektromagnetische Strahlung fällt in den Zuständigkeitsbereich des Systemdesigners.

---

5. Replace the host system's cover.

---

5. Setzen Sie das Gehäuseoberteil des Host-Systems wieder auf.

## Formatting the drive

**Warning.** Formatting a drive erases all user data. Be sure that you understand this principle before formatting any hard disc drive. It is not necessary to format a drive that previously has been used to store data, unless your intention is to erase all user data.

1. Turn on DC power.
2. Boot the system from a system floppy disc or from a previously installed hard disc drive if there is one.
3. Format the disc drive. Barracuda 9 disc drives are designed to operate with a variety of operating systems. Please refer to your system or SCSI controller manual for information about formatting and setting up the drive. Some quick desktop system notes are provided below.

## Quick reference desktop system notes

**Note.** Refer to your system or utility manual for detailed instructions)

- DOS. Set the drive type in CMOS to "Zero," "None," or "No hard drive installed." Use FDISK.exe and FORMAT.exe.
- Macintosh. Use a third-party drive utility (Apple's HD Setup utility only works with Apple firmware drives).

## N drives

### Setting the SCSI ID jumpers

Use the J6 connector to set the SCSI ID (see Figure 5). To change the SCSI ID, install jumpers on the appropriate pins as shown in the illustration.

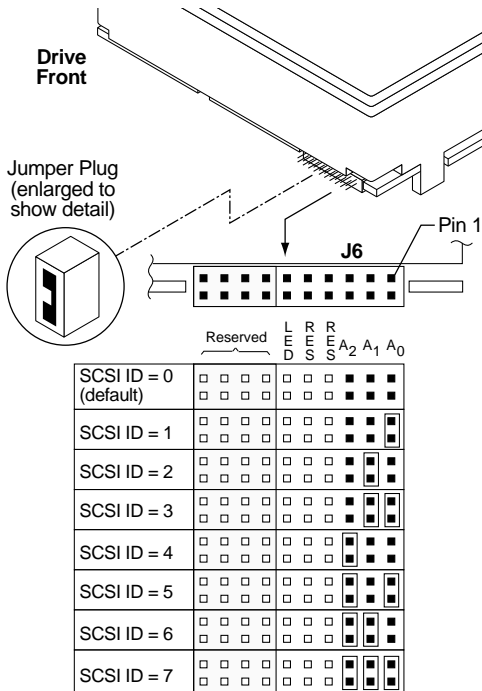
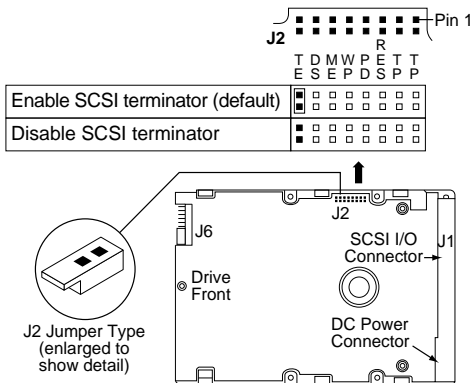


Figure 5. Setting the SCSI ID

## Terminating the drive

ST19171N drives are terminated with permanently mounted IC active terminators. If you install one of these drives and it is not on the end of the SCSI bus, disable the terminators by removing the jumper from pins 15 and 16 of connector J2 (see Figure 6). If you install the drive on the end of the SCSI bus, enable termination by installing a jumper on pins 15 and 16 of connector J2.

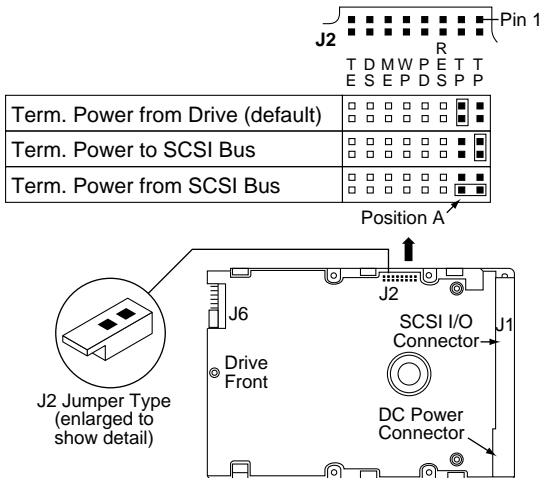


**Figure 6. Terminating the drive**

## N drives

### Terminator power

There are three possible terminator power configurations for ST19171N drives (see Figure 7). You will not normally need to change this option and can leave the drive configured as it was shipped from the factory.

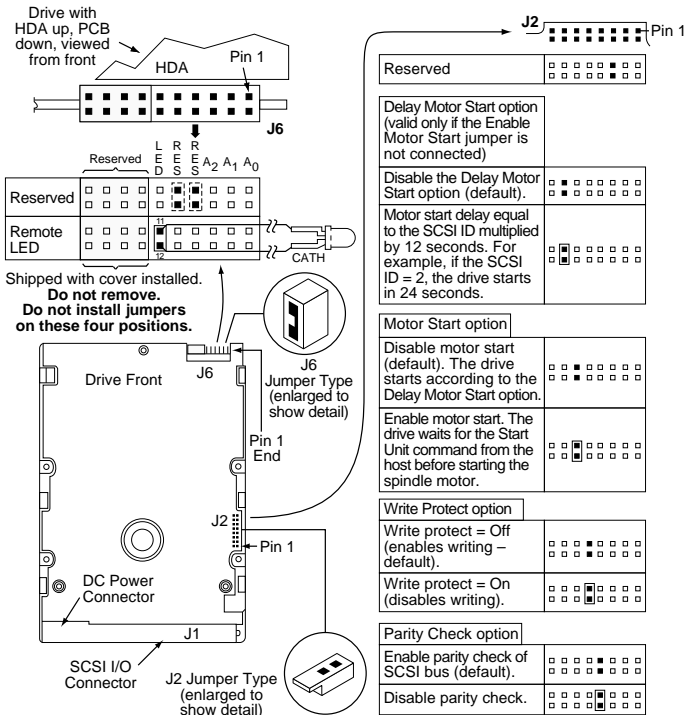


**Figure 7.** Setting terminator power jumpers



## Other applicable jumper options

Several other jumper options are available as illustrated.



**Figure 8. Additional jumper options**

## W/WD drives

### Setting the SCSI ID jumpers

Use the J6 jumper block to set the SCSI ID (Figure 9). To change the SCSI ID, install jumpers on the appropriate pins as shown in the illustration. Optional connections to switching circuits in host equipment are provided on J1 auxiliary to set the SCSI ID (see Figure 10).

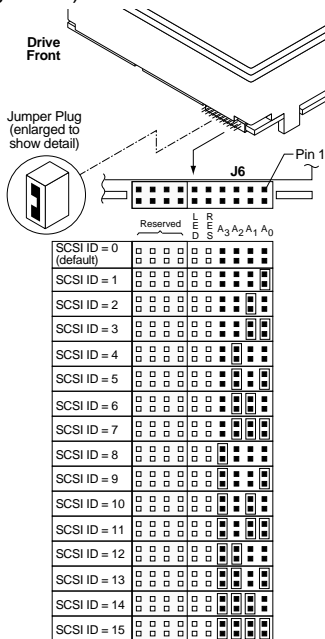


Figure 9. Setting the SCSI ID

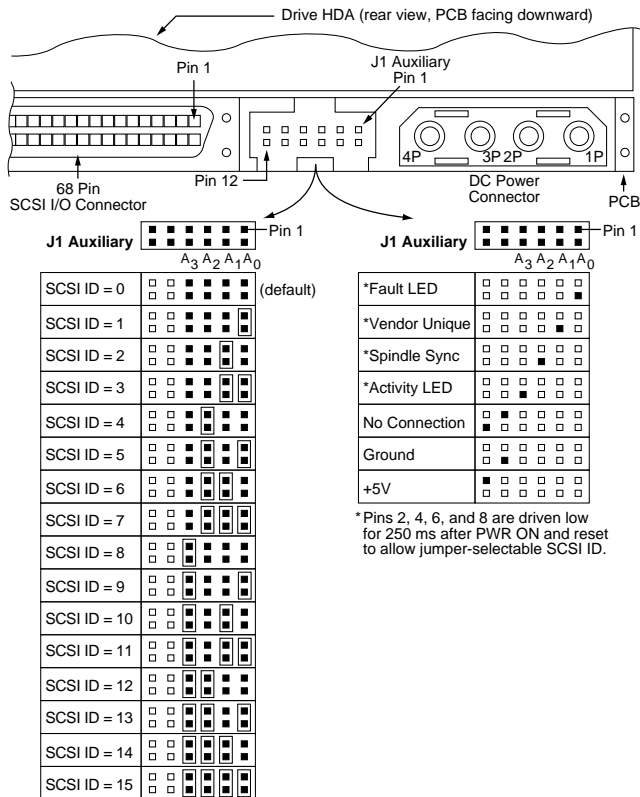


Figure 10. Using the J1 auxiliary jumper block

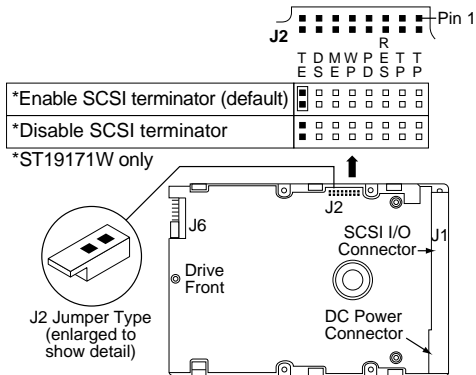
## W/WD drives

### Terminating the drive

ST19171W drives are terminated with permanently mounted IC active terminators. If you install one of these drives and it is not on the end of the SCSI bus, disable the terminators by removing the jumper from pins 15 and 16 of connector J2. If you install the drive on the end of the SCSI bus, enable termination by installing a jumper on pins 15 and 16 of connector J2 (see Figure 11).

**Note.** Use active (ANSI SCSI-2 Alternative 2) terminators when terminating the bus.

ST19171WD drives do not have internal terminators or any other way of adding internal termination to the drive. You must provide external differential termination to these drives when termination is required.

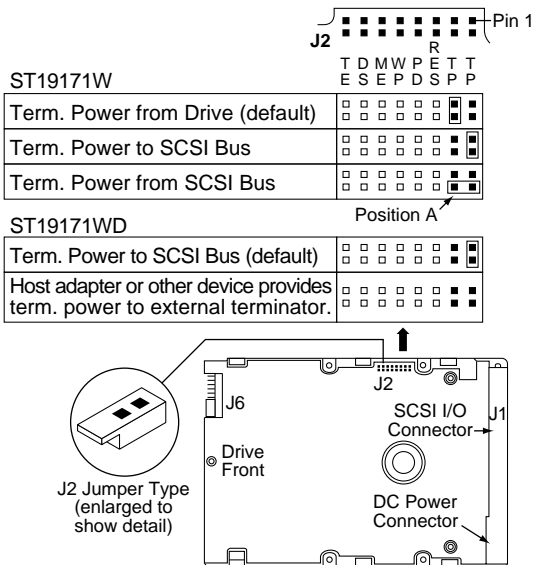


**Figure 11. Terminating the drive (ST19171W shown)**

## Terminator power

There are three possible terminator power configurations for ST19171W drives (see Figure 12). You will not normally need to change this option and can leave the drive configured as it was shipped from the factory.

There are two possible terminator power configurations for ST19171WD drives (see Figure 12).



**Figure 12. Setting terminator power jumpers**

## W/WD drives

### Other applicable jumper options

Other option jumpers are available as illustrated below.

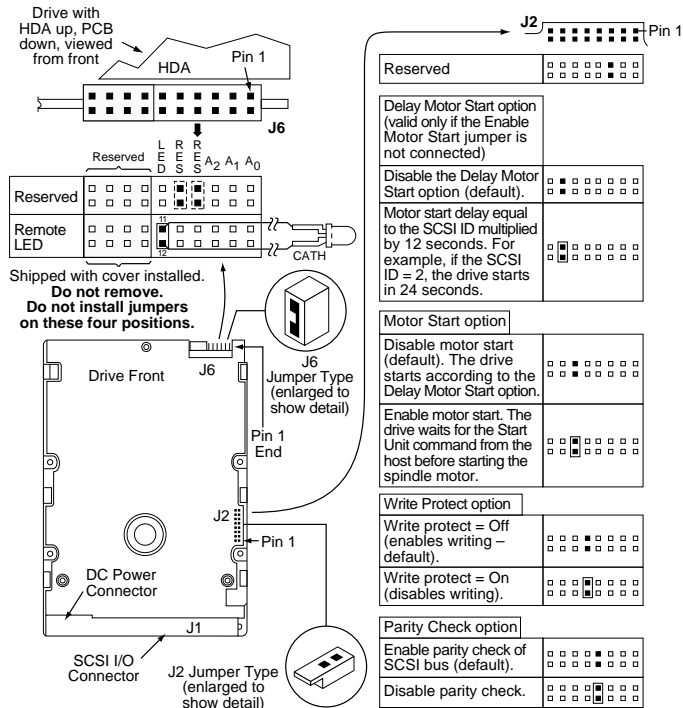


Figure 13. Additional jumper options

## **Setting the SCSI ID jumpers**

The SCSI ID for WC and DC drives is normally set over the SCSI bus by the host system using connector contacts 39 (ID0), 40 (ID2), 79 (ID1), and 80 (ID3).

## **Terminating the drive**

ST19171WC and ST19171DC drives do not have internal terminators or any other way of adding internal termination to the drive. You must provide external termination to these drives when termination is required.

## WC/DC drives

### Applicable jumper options

Option jumpers are available as illustrated below.

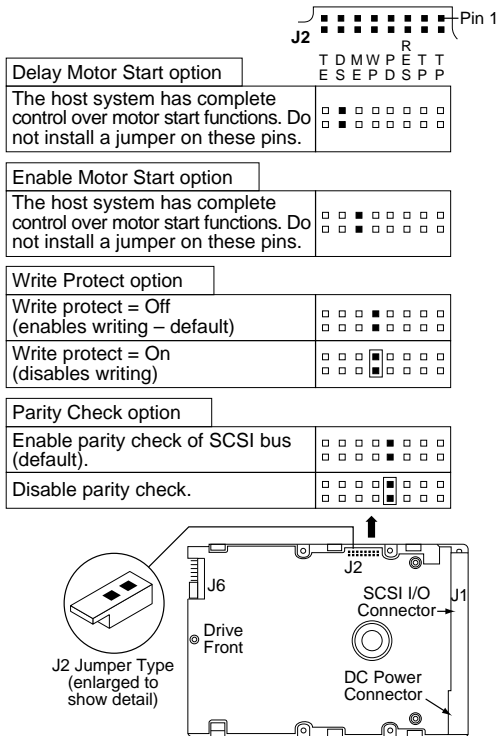


Figure 14. Jumper options











***Seagate Technology, Inc.***

***920 Disc Drive, Scotts Valley, CA 95066-4544, USA***

***Publication Number: 83329020, Rev. A, Printed in USA***