



14,000 BTU Evaporative Portable Air Conditioner and 14,200 BTU Heat Pump

OWNER'S MANUAL
Model # KY-36



Please read owner's manual carefully before operating unit.

TABLE OF CONTENTS

INTRODUCTION.....	3
IMPORTANT SAFEGUARDS.....	3
LCDI POWER CORD AND PLUG.....	4
PRODUCT DIAGRAM.....	5
Front.....	5
Back.....	5
Accessories.....	5
INSTALLATION.....	6
Selecting the Location.....	6
Mounting the Exhaust Hose.....	6
Window Kit Installation.....	7
CONTROL PANEL AND LED DISPLAY.....	8
Control Panel.....	8
LED Display.....	8
OPERATION.....	9
Cooling.....	9
Dehumidifying.....	9
Heating.....	9
Fanning.....	9
Setting the Timer.....	9
REMOTE CONTROL.....	10
WATER DRAINAGE.....	10
MAINTENANCE.....	11
Cleaning the Housing.....	11
Cleaning the Filter.....	11
END OF SEASON STORAGE.....	11
TROUBLESHOOTING.....	12
Error Messages.....	12
TECHNICAL SPECIFICATIONS.....	13
CONTACT INFORMATION.....	13

INTRODUCTION

Thank you for purchasing the Soleus Air KY-36 14,000 BTU Portable Evaporative Air Conditioner and Heater. This unit is designed to improve indoor living and working comfort by providing cooling, dehumidifying, heating, and ventilation with minimal installation.

This multi-functional unit operates as an air conditioner, dehumidifier, heater, and fan. Unlike traditional portables, there is no bucket to empty. The condensate water is evaporated and removed through the exhaust duct along with the warm exhaust air. When operating as an air conditioner, this unit is designed for spot cooling or cooling a room no larger than 550 square feet with a standard eight foot ceiling height. When using this appliance, always exercise basic safety precautions.

Other air conditioning methods are recommended when the indoor temperature is either below 64°F or above 86°F.

Please complete the following information for future reference. Retain this owner's manual with your sales receipt as a permanent record of your purchase.

Serial Number: _____

Date of Purchase: _____

Place of Purchase: _____

IMPORTANT SAFEGUARDS

Before installing and using your portable air conditioner and heater, it is important that you read this owner's manual carefully. Store this manual in a safe place for future reference.

This instruction manual is used for guidance and does not form part of a contract. It reserves the right to make technical changes without prior notice.

1. Always place the unit on a level surface.
2. The appliance shall be installed in accordance with national wiring regulation.
3. The unit must be connected to a correctly grounded power supply. For your safety, this unit is grounded through the power cord plug when connected to a grounded wall outlet. Do not use an adapter plug or extension cord.
4. Do not install the unit in an area where gas leakage may occur and/or in an explosive atmosphere.
5. Do not apply an insecticide or flammable spray on the unit.
6. Confirm drainage piping is connected properly.
7. Do not start or stop the unit by inserting or pulling out the power plug.
8. Do not operate with wet hands.
9. Close supervision is necessary when the unit is used near children. The unit is not intended for use by children.
10. Do not insert anything into the air outlet. Do not obstruct air inlet or outlet grills.
11. Do not expose skin or eyes directly to cool air for a long period of time.
12. If an abnormal odor or smoke comes out of the unit, disconnect the unit immediately and contact a qualified service technician. (see page 13)
13. When opening the filter cover, do not touch the metal parts in the unit's interior.
14. Do not immerse the unit in water or any type of liquid. Do not use the unit in the immediate surroundings of a bath, shower, or swimming pool, or in any other steamy, wet areas.
15. When unit is cleaned, always turn the unit off and unplug the power cord.
16. Always inspect the power cord for signs of damage before use. If the power cord is damaged, it must be replaced by the manufacturer or a qualified service technician.
17. Do not place a plant or allow a pet in the direct path of the airflow to avoid injury.
18. Do not put a stove, etc, where it would be exposed to the direct airflow. It may affect combustion.
19. Do not sit on the unit or place anything on it.
20. Before storing, the water must be drained from the unit and the filters cleaned.

LCDI POWER CORD AND PLUG

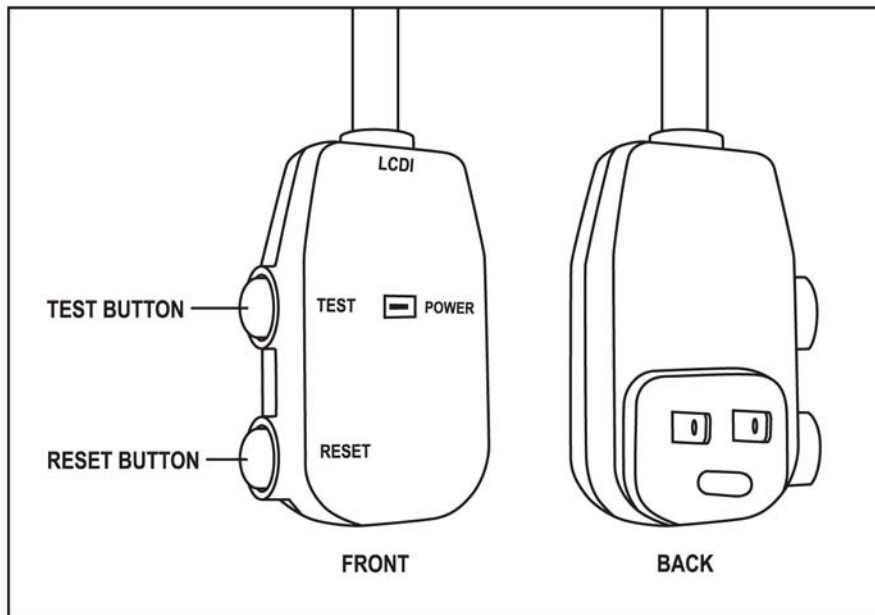
This air conditioner is equipped with an LCDI (Leakage Current Detection and Interruption) power cord and plug as required by US National Electric Code 440.65. This cord consists of a length of shielded flexible cord with no termination on the load side and a LCDI attachment plug on the line side.

The LCDI power cord and plug will remove the supply source via electrical disconnect (circuit trip) if the nominal current leakage between the cord shield and either load conductor exceeds a predetermined value. The cord will remain de-energized until the device has been manually reset. This is intended to reduce the risk of a fire in the power cord or combustible materials nearby. The cord shields are not grounded and they must be considered a shock hazards if exposed. The cord shield must not be connected to ground or to any exposed metal.

The test and reset buttons on the LCDI Plug are used to check if the plug is functioning properly. To test:

1. Plug power cord into wall outlet
2. Press TEST Button, circuit should trip, cutting power to the air conditioner
3. Press RESET button for use

If a test is performed and the indicator light remains ON, current leakage has been detected. Do not use the air conditioner or attempt to reset the LCDI Plug. Contact Soleus Air Customer Service for troubleshooting recommendations.



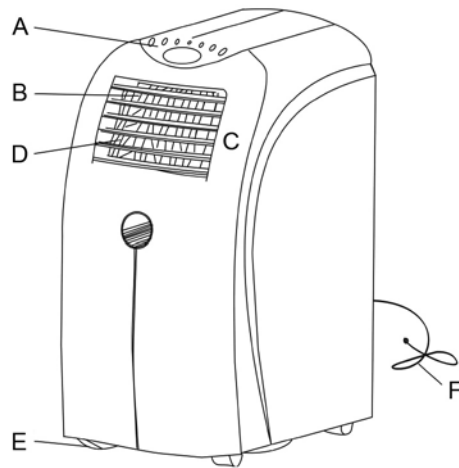
WARNING:

1. DO NOT press TEST button while the air conditioner is operating.
2. The TEST and RESET buttons should not be used as “ON” and “OFF” switches.
3. The cord and plug are not intended to offer protection to externally connected loads or supply circuits.
4. The cord and plug are intended for indoor use only.

PRODUCT DIAGRAM

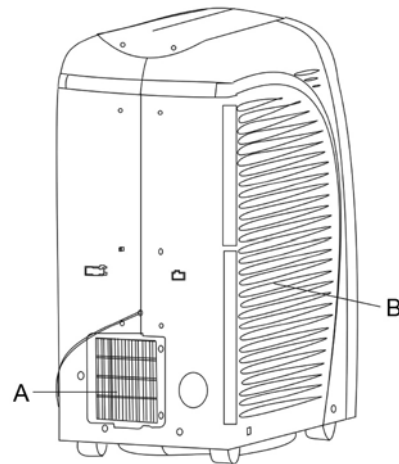
FRONT

- A. Control panel
- B. Vertical air louvers
- C. Air outlet
- D. Horizontal air louvers
- E. Casters
- F. Cable (power cord and plug)



BACK

- A. Hot air outlet grill
- B. Lower air inlet grill



ACCESSORIES

Flexible exhaust hose with adapters

- 3-piece set
- stretches from 14 1/4" to 60 5/8" (36cm to 150cm)

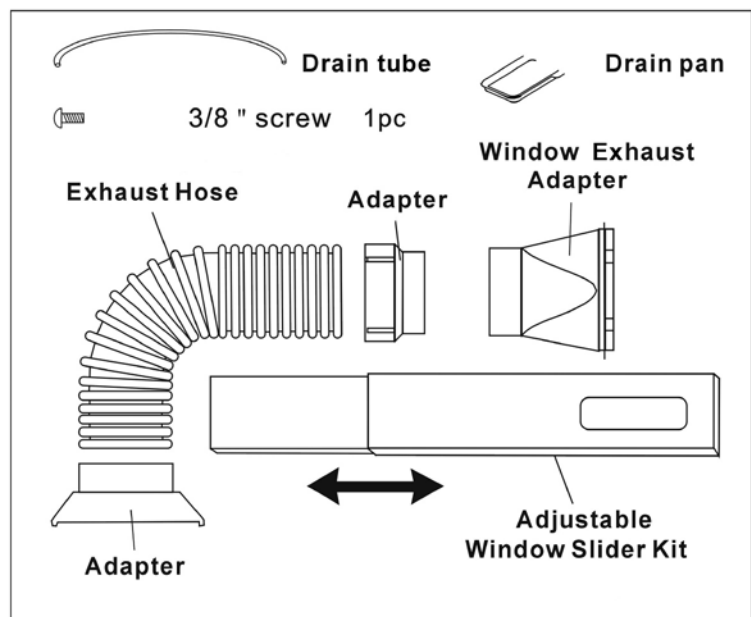
Window exhaust adapter

Adjustable window slider kit

- 2-piece set
- adjusts 33 1/2" to 48 3/8" (85cm to 123cm)

Drain tube

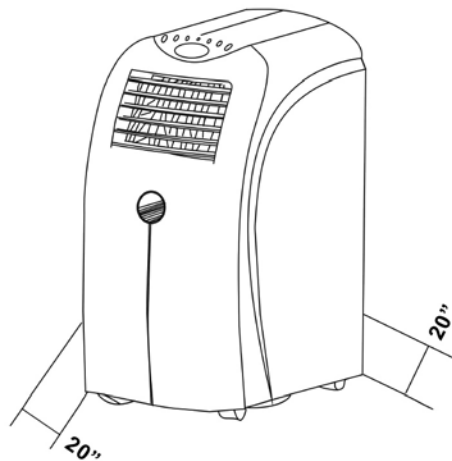
Drain pan



INSTALLATION

SELECTING THE LOCATION

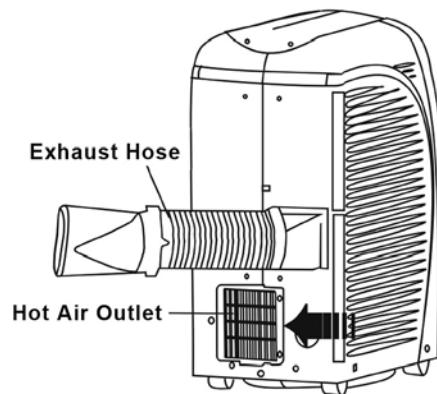
Place the unit in a flat location where the air outlets cannot be obstructed. Place the unit no less than 20" (50cm) away from a wall or other obstacle.



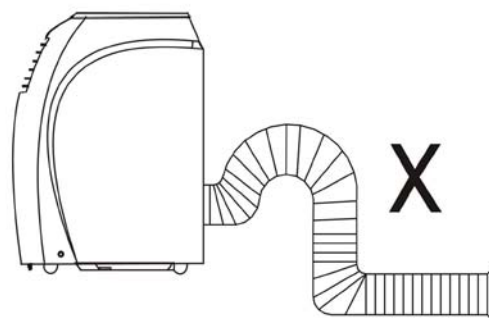
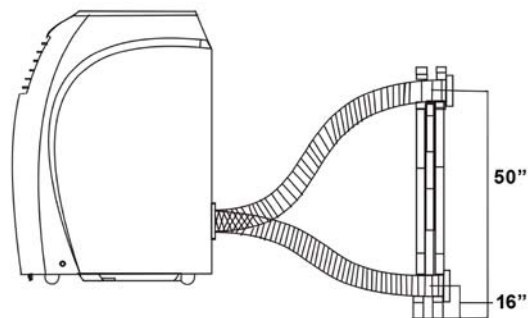
MOUNTING THE EXHAUST HOSE

Slide the square end of the exhaust duct over the hot air outlet on the back of the unit.

The exhaust hose should be kept as short and straight as possible. Take care to prevent any sharp bends in the exhaust hose, as this will trap hot exhaust air.



The hot exhaust air can be vented through the wall or out a window. If mounting in the wall, the height of the hole should be 16 to 50 inches (40cm to 130cm).

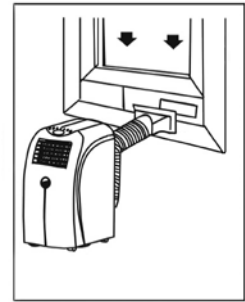
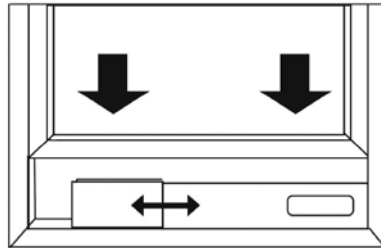


WINDOW KIT INSTALLATION

The window kit has been designed to fit into most standard vertical and horizontal windows. However, it may be necessary to modify some aspects of the installation process for certain window types.

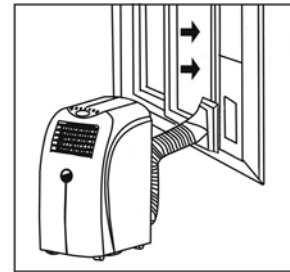
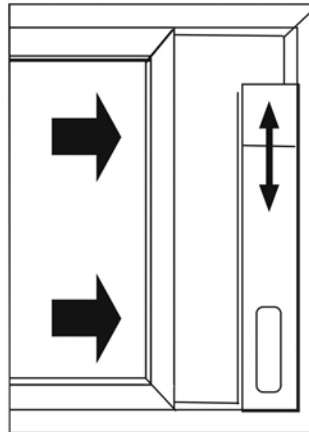
1. Open the window or sliding door and adjust the length of the window kit to fit the opening. Mark and cut down a single panel of the window kit if necessary.
2. Place the window kit between the window and the window frame as shown in the images to the right. Close the window onto the window kit to form a tight seal.
3. Attach the exhaust duct adapter to the window kit. Tabs located on the adapter will lock into place securing the adapter to the window kit.

HORIZONTAL WINDOW



Window Slider Kit
Minimum: 33 1/2" (85cm)
Maximum: 48 3/8" (123cm)

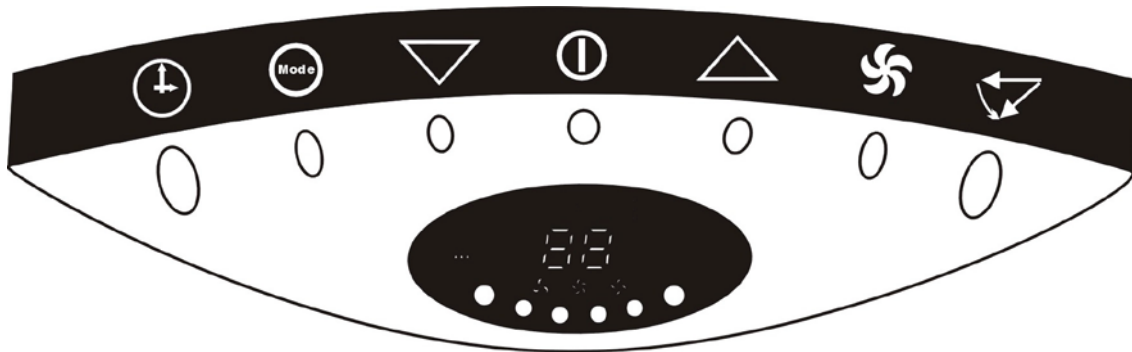
VERTICAL WINDOW



Window Slider Kit
Minimum: 33 1/2" (85cm)
Maximum: 48 3/8" (123cm)

CONTROL PANEL AND LED DISPLAY

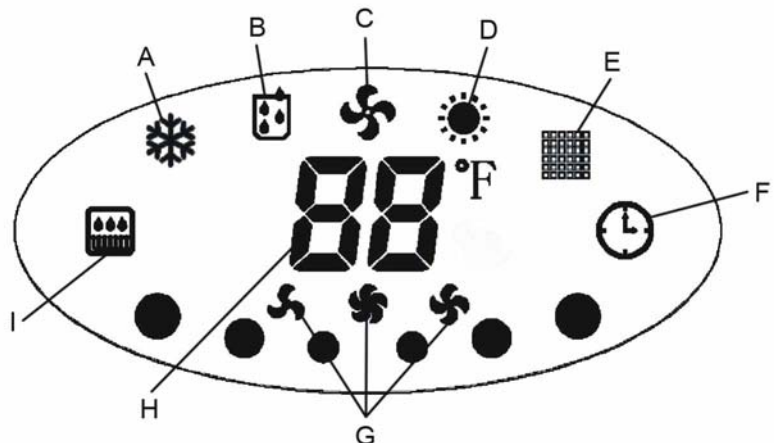
CONTROL PANEL



	TIMER Button	Press this button to turn the timer on/off.
	MODE Button	Press this button to select among the modes of cooling, dehumidifying, fanning, or heating.
	TEMP - Button	This button decreases the room temperature/timer hours.
	TEMP + Button	This button increases the room temperature/timer hours.
	ON/OFF Button	Press this button to turn the unit on or off.
	FAN SPEED Button	During the modes of cooling, heating and fanning, press this button to choose high, medium or low fan speed. In dehumidifying mode, this button is inoperable.
	SWING Button	Press this button to oscillate the vertical louvers or to stop oscillation.

LED DISPLAY

- A. Cool Mode
- B. Dehumidify Mode
- C. Fan Mode
- D. Heat Mode
- E. Signal receiver
- F. Timer On/Off
- G. Fan Speed (Low, High, Medium)
- H. Indicates Time and Temperature
- I. Indicates when Compressor is working



OPERATION

Plug the power cord into a properly grounded outlet. Do not connect the unit to an outlet that is also being used for other electrical appliances. The unit will beep after two seconds, then press the on/off button to begin operation.

COOLING

1. Press the Cool Mode Button to choose the cooling function.
2. Repeatedly press the Temperature Buttons to set the desired room temperature (from 64-86°F).
3. Press the Fan Speed Button to choose the desired fan speed.
4. Press the Swing Button to select a steady airflow or oscillation.
 - In order to improve cooling efficiency, draw the curtains in a room exposed to direct sunlight.
 - Do not place near a heat source.

DEHUMIDIFYING

1. Press the Dehumidify Mode Button to choose the dehumidifying function.
 - In the Dehumidifying Mode, the fan speed cannot be adjusted.
 - Ensure that the drain pan is properly placed in the unit.
 - When the unit is used as a dehumidifier only, do not use the exhaust duct.
 - Keep the windows and doors closed to aid in effectively dehumidifying the room.

HEATING

1. Press the Heat Mode Button to choose the heating function.
2. Repeatedly press the Temperature Buttons to set the desired room temperature (from 64-86°F).
3. Press the Fan Speed Button to choose the desired fan speed.
4. Press the Swing Button to select a steady airflow or oscillation.

FANNING

1. Press the Fan Mode Button to choose the fanning function.
2. Press the Fan Speed Button to choose the desired fan speed.
3. Press the Swing Button to select a steady airflow or oscillation.

SETTING THE TIMER

When the unit is operating, the timer can be used to set an automatic shut off time. Also, when the unit is plugged in but turned off, the timer can be used to set an automatic start time. If the timer button is not pressed, the unit will work continuously.

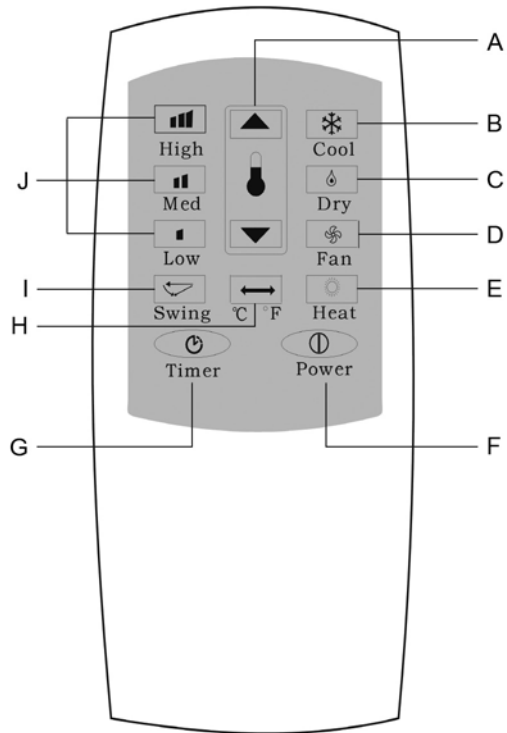
1. Press the Timer Button once.
2. Press the Adjustment Buttons until the desired number of hours is displayed (1-24 hours). The display will flash for 5 seconds indicating the timer is set successfully.

NOTE:

If the unit is turned off during cooling, dehumidifying, or heating and then restarted, there will be a 3 minute delay before the compressor will turn back on to prolong the life of the compressor.

REMOTE CONTROL

- A. Temperature/Timer Adjustment Buttons
- B. Cooling Mode
- C. Dehumidifying Mode
- D. Fanning Mode
- E. Heating Mode
- F. On/Off Button
- G. Timer Button
- H. °C/°F Converting Button
- I. Airflow Button
- J. Fan Speed Buttons

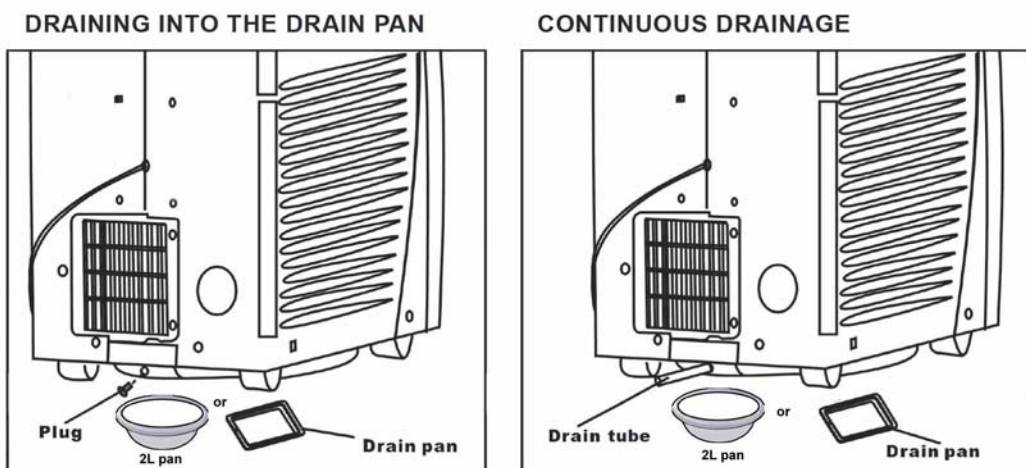


WATER DRAINAGE

When the unit is in cooling mode, unwanted water is extracted from the air. Most of this water is used to cool the unit and make it run more efficiently. When the unit is used in extremely humid environments, water will collect in a water container at the bottom of the unit. When the water container is full, the compressor will stop but the fan will continue to run.

When the water container is full, the unit will display E7 on the control panel until the tank is emptied. To resume operation, empty the water container according to the following steps:

1. Turn the unit off. Do not move the unit when the water container is full.
2. Place a 2L pan (or the drain pan) under the drainage port at the back of the unit.
3. Remove the rubber plug from the drainage port. The condensate water will drain out automatically. When the 2L pan (or the drain pan) is full, put the rubber plug back to the drainage port to stop the water. Empty the drain pan. Repeat until all the water is emptied.
4. Once the water container has been emptied, replace the rubber plug into the drain hole firmly. Do not allow the water to drip continuously into the drain pan, as it might easily overflow.



NOTE: In heating mode, the drain pipe accessory must be used to empty the water container.

1. Remove the rubber plug and keep for future use.
2. Connect the drain tube accessory to the drain hole. Place drain pan at end of drain tube; water will drain out automatically during operation.

MAINTENANCE

Always turn off and unplug the unit before cleaning to avoid electrical shock.

CLEANING THE HOUSING

Wipe the surface of the unit with a soft, damp cloth. Do not use abrasive chemicals or detergents to clean the surface of the unit, as the unit may become scratched or damaged.

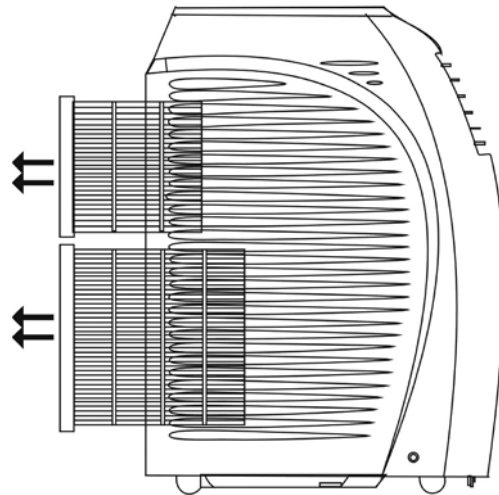
Avoid direct exposure to sunlight as this may change the surface color.

CLEANING THE FILTER

Slide the filters out from the side of the unit.

Immerse the filter gently in warm water with a mild detergent. Rinse thoroughly and dry before replacing.

An unclean air filter reduces air volume. The filter should be cleaned every two weeks.



END OF SEASON STORAGE

Turn off and unplug the unit.

Drain all condensate water from the water container.

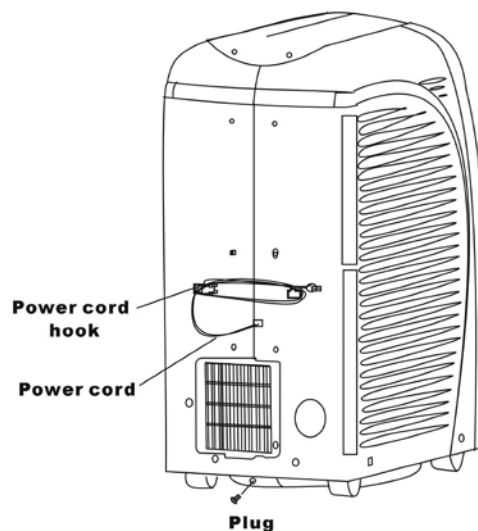
Turn the unit to fan mode for a couple of hours to completely dry out the inside.

Clean the filter.

Wrap the cord around the cord hooks.

It is recommended that the unit be packed in its original carton for storage.

Store in a dry location.



TROUBLESHOOTING

Before seeking repair or service, please check the following:

PROBLEM	POSSIBLE CAUSE	REMEDY
Unit does not operate or only runs in fan mode.	Is the unit plugged in?	Securely plug the power cord into the wall outlet.
	Is the main power supply on?	Reestablish the main power supply.
	Is the water container full indicator light on?	Empty the water container.
	Is the timer set?	Change timer settings.
Cooling efficiency is not satisfactory.	Is the air inlet or outlet blocked?	Clear the blocking.
	Is there any other heat source in the room?	Move the heat source.
	Are the air filters dirty?	Clean the air filters.
	Is the temperature setting suitable?	Change the temperature setting.
Unit is noisy or vibrates.	Is the fan speed set at low?	Increase the fan speed.
	Is the machine positioned unevenly on a level surface?	Place the unit on a level surface.
The unit starts and stops frequently.	Is the voltage from the power source correct?	Use a proper power source.
	Is the exhaust hose positioned incorrectly?	Position the exhaust hose correctly and keep the exhaust hose straight as possible.

ERROR MESSAGES

Diagnostic system indicators appear if any of the following interrupts operation of the unit. The unit may require simple maintenance or repair by a qualified service technician.

CODE	DIAGNOSIS	ACTION
FAULT E2	Room temperature is outside the proper working range of the unit.	Place unit in proper operating conditions.
FAULT E3	Faulty coils.	Seek repair or service.
FAULT E4	Internal frost in the unit.	Wait for unit to melt internal frost.
FAULT E5	Unit malfunctions.	Seek repair or service.
FAULT E7	Water container is full.	Empty water container.

TECHNICAL SPECIFICATIONS

MODEL		KY-36
Cooling Capacity		14,000 BTU/Hr
Heating Capacity		14,200 BTU/Hr
Dehumidifying Capacity		65 pts/day
Power Consumption	Cooling	1540 W
	Heating	1220 W
Air Flow Volume		318 CFM
Power Source		115 V / 60 HZ
Rated Current	Cooling	13.4 A
	Heating	10.6 A
Operating Temperature	Cooling	64°F -100°F
	Heating	37°F -64°F
Sound Pressure Level		<49 db(A)
Weight		86 lbs
Dimensions		14.4 x 22.4 x 30.5 inches (WxDxH)
Refrigerant		R22

NOTE:

- 1) Data may vary, please refer to the rating label on the back of the unit.
- 2) If the environment temperature is higher than the max operating temperature or lower than the min operating temperature, the air conditioner may not work properly.

CONTACT INFORMATION

Contact Customer Service For:

Replacement Parts
 Technical Support
 Warranty Claims
 Customer Service

Soleus International, Inc
 9451 Telstar Ave
 El Monte, CA 91731 USA
 (888) 876-5387
 contact@soleusair.com

WARRANTY

ONE YEAR LIMITED WARRANTY

Soleus International Inc. warrants the accompanying Soleus Air KY-36 portable Air Conditioner to be free of defects in material and workmanship for the applications specified in its operation instruction for a period of ONE (1) year from the date of original retail purchase in the United States or Canada.

If the air conditioner exhibits a defect in normal use, Soleus International Inc. will, at its option, either repair or replace it, free of charge within a reasonable time after the air conditioner is returned during the warranty period.

As a condition to any warranty service obligation, the consumer must present this Warranty Certificate along with a copy of the original purchase invoice.

THIS WARRANTY DOES NOT COVER:

- 1) Damage, accidental or other wise, to the air conditioner while in the possession of a consumer not caused by a defect in material or workmanship;
- 2) Damage caused by consumer misuse, tampering, or failure to follow the care and special handling provisions in the instructions.
- 3) Damage to the finish of the case, or other appearance parts caused by wear.
- 4) Filter.
- 5) Damage caused by repairs or alterations of the air conditioner by anyone other than authorized by Soleus International Inc..
- 6) Freight and Insurance cost for the warranty service.

ALL IMPLIED WARRANTIES, INCLUDING ANY IMPLIED WARRANTY OF MERCHANTABILITY ARE LIMITED TO ONE-YEAR DURATION OF THIS EXPRESS LIMITED WARRANTY. SOLEUS INTERNATIONAL INC. DISCLAIMS ANY LIABILITY FOR CONSEQUENTIAL OR INCIDENTAL DAMAGES AND IN NO EVENT SHALL SOLEUS INTERNATIONAL INC.'S LIABILITY EXCEED THE RETAIL VALUE OF THE AIR CONDITIONER FOR BREACH OF ANY WRITTEN OR IMPLIED WARRANTY WITH RESPECT TO THIS AIR CONDITIONER