

*Sunbeam*

# Metro 4

## 4 slice electronic toaster

Instruction Booklet  
TA6450

Please read these instructions carefully  
and retain for future reference.



# Contents

<b>Sunbeam's Safety Precautions</b>	<b>1</b>
<b>Features of your Metro 4 Toaster</b>	<b>2</b>
<b>Using your Metro 4 Toaster</b>	<b>4</b>
<b>Toaster functions</b>	<b>5</b>
<b>Care and cleaning</b>	<b>6</b>

## Important instructions – retain for future use.

تأكد من تفهم احتياطات السلامة المذكورة اعلاه

請務必理解上述的安全預防措施。

Assurez-vous que les précautions ci-dessus relatives à la sécurité sont bien comprises

Versichern Sie sich, dass die obenstehenden Sicherheitsmaßnahmen Verstanden werden

Βεβαιώστε πως οι παραπάνω προφυλάξεις ασφαλείας γίνονται κατανοητές

Pastikan bahwa tindakan-tindakan keselamatan seperti di atas dimengerti anda

Accertatevi che le suddette norme di sicurezza siano comprese a dovere

上記の注意事項をよくお読みになり、安全を御確認ください

Уверете се дека погоре споменатите мерки на претпазливост се добро разбрани

Asegúrese de que las precauciones de seguridad precedentes sean bien comprendidas

کاری بکنید کہ احتیاط‌های بالا حتماً درک بشوند

ต้องแน่ใจว่า ข้อควรระวังเรื่องความปลอดภัยข้างต้น เป็นที่เข้าใจกันดี

Yukarda belirtilen güvenlik önlemlerinin anlaşılığınızdan emin olunuz

Xin kiểm chắc rằng những biện pháp làm an toàn kể trên được hiểu rõ

# Sunbeam's Safety Precautions

## SAFETY PRECAUTIONS FOR YOUR SUNBEAM TOASTER.

- Do not place any objects such as toast, bread or similar on top of your toaster when in use.
- Operate the toaster on a flat level surface.
- The bread may burn, therefore do not use the toaster near or below combustible material, such as curtains.
- Do not leave your toaster unattended when in use.
- Clean crumb tray regularly.
- Do not allow crumbs to accumulate in the crumb tray.
- Do not toast stale bread, rice crackers or similar on a high setting as they may catch fire.
- **WARNING:** Never attempt to extract jammed toast, crumpets or muffins with a knife or any metal object, as contact with the live element may cause electrocution.

---

**Sunbeam are very safety conscious when designing and manufacturing consumer products, but it is essential that the product user also exercise care when using an electrical appliance. Listed below are precautions which are essential for the safe use of an electrical appliance:**

- Read carefully and save all the instructions provided with an appliance.
- Always turn the power off at the power outlet before you insert or remove a plug. Remove by grasping the plug – do not pull on the cord.
- Turn the power off and remove the plug when the appliance is not in use and before cleaning.
- Do not use your appliance with an extension cord unless this cord has been checked and tested by a qualified technician or service person.
- Always use your appliance from a power outlet of the voltage (A.C. only) marked on the appliance.
- Close supervision is necessary when your appliance is being used near children or infirm persons.
- Never leave an appliance unattended while in use.
- Young children should be supervised to ensure that they do not play with the appliance.
- Do not use an appliance for any purpose other than its intended use.
- Do not place an appliance on or near a hot gas flame, electric element or on a heated oven. Do not place on top of any other appliance.
- Do not let the power cord of an appliance hang over the edge of a table or bench top or touch any hot surface.
- For safety reasons and to avoid maintenance by unskilled persons, some appliances are 'sealed' using tamperproof screws. Such appliances should always be returned to the nearest Sunbeam Appointed Service Centre for adjustment or repair if required.
- Do not operate any electrical appliance with a damaged cord or after the appliance has been dropped or damaged in any manner. If damage is suspected, return the appliance to the nearest Sunbeam Appointed Service Centre for examination, repair or adjustment.
- For additional protection, Sunbeam recommend the use of a residual current device (RCD) with a tripping current not exceeding 30mA in the electrical circuit supplying power to your appliances.
- Do not immerse the appliance in water or any other liquid unless recommended.

If you have any concerns regarding the performance and use of your appliance, please visit [www.sunbeam.com.au](http://www.sunbeam.com.au) or contact the Sunbeam Consumer Service Line.

**Ensure the above safety precautions are understood.**

# Features of your Metro 4 Toaster

## Extra wide and deep bread slots

Enables you to toast a large variety of breads both thick and thin, bagels, crumpets and muffins.

## Self-centring bread slots

Whether you are toasting thick or thin bread, your bread will always be held in the centre of the slot to ensure even toasting.

## Cool touch exterior

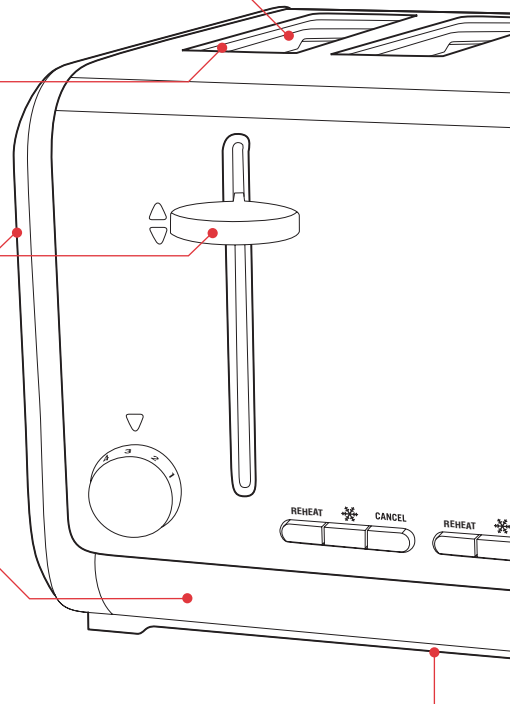
Remains cool to touch preventing burns and plastic wrappers clinging to the side of your toaster.

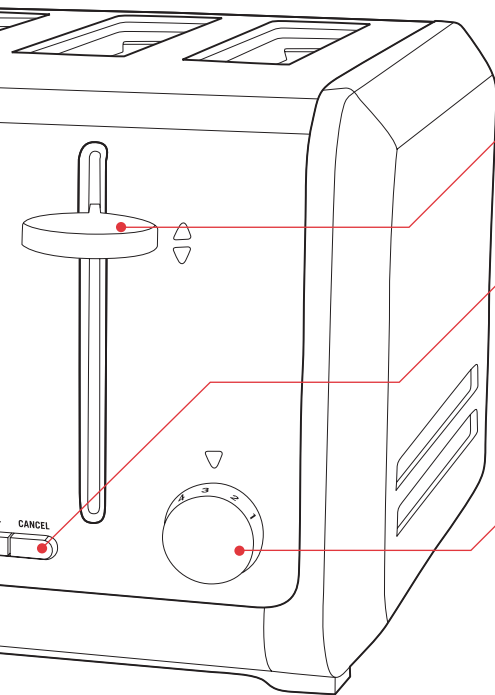
## Removable crumb tray

Pulls out from underneath your toaster for easy removal of crumbs.

## Cord storage

The cord can be wrapped underneath for safe and convenient storage.





### **High lift levers**

Raises the toast above the starting position so you can remove the toast from the toaster without burning your fingers. Ideal for crumpets and muffins.

### **Reheat, frozen, cancel buttons**

Cancel immediately interrupts any toasting cycle and pops the toast up. The frozen setting ensures bread can be toasted from the freezer. The reheat function allows toast to be reheated when already toasted.

### **Electronic browning controls**

Dual variable toast settings from 1 - 7, toasts the bread to your desired colour everytime.

# Using your Metro 4 Toaster

Plug the toaster into a 230-240 volt AC power outlet and switch the power on.

## **Toasting Bread**

1. Position the bread into the bread slot.
2. Select the desired colour setting on either of the electronic browning controls that corresponds to the toasting slots.  
**Important:** Do not toast stale bread, rice crackers or similar on a high setting as they may catch fire.
3. Push the Toasting Lever down to commence the toasting cycle.

4. When the colour setting is achieved, the toaster will automatically turn off and pop the toast up. If you need to remove the toast before the cycle is complete, then press the Cancel button. The Cancel button will immediately interrupt the toasting cycle and pop the toast up.
5. To remove small pieces of toast or bagels, use the High Lift Lever to lift the toast above the starting position. This will prevent burning your fingers as you remove the toast.

# Toaster Functions

## **Cancel button**

The Cancel button immediately stops any of the toasting cycles. As a consequence of this, the toast will pop up.

## **High lift lever**

When toasting small pieces of bread or crumpets or muffins we recommend using the High Lift Lever to prevent you from burning your fingers.

## **Toasting frozen bread**

Press the Frozen button immediately after the toast lever has been pressed down. This function will toast your frozen bread. The colour of your toast will brown according to the toasting setting you have chosen.

## **Reheat setting**

This setting allows toast to be reheated once already toasted.

## **Crumpet button *(For those models with crumpet setting included)***

This setting cooks crumpets to perfection. When activated, additional heat is emitted from the centre elements to cook the top of your crumpet faster than the bottom. The top of the crumpet(s) must be faced towards the centre element.

## **Toasting in your toaster**

Position bread in each slot and adjust the electronic dial control that corresponds to the toasting slots to the desired level of browning.

If your bread jams in the toaster, switch power off, remove the plug from the power outlet and ease the bread out of the toaster. Ensure muffins or bagels are cut into even halves and fit freely into the bread slot. Do not force them into the toaster.

**WARNING: Never attempt to extract jammed toast, muffins, bagels or crumpets with a knife or any other metal object, as contact with the live element may cause electrocution.**

# Care and Cleaning

Always turn the power OFF and remove the plug from the power outlet after use and before cleaning your toaster.

**To clean the exterior.**

Wipe exterior with a slightly dampened cloth and polish with a soft dry cloth.

**Do not use metal scourers or abrasives as this may scratch the exterior surface.**

**Removable Crumb Tray.**

To remove the crumbs, simply slide out the tray, empty and place it back in the toaster. Clean the crumb tray regularly. Do not allow crumbs to accumulate, as they will accumulate and may cause a potential fire hazard.

**To clean the toaster interior.**

Clean inside the toaster regularly. To do this, unplug the appliance, turn it upside down over the sink and gently shake all the crumbs out.



# 12 Month Replacement Guarantee

We are so confident of the quality of our product, should this appliance develop any malfunction within 12 months of purchase (3 Months commercial use) due to faulty materials or manufacture, we will replace it for you absolutely free.

Should you experience any difficulties with your appliance, please phone our free call customer service line for advice on 1800 025 059 in Australia, or 0800 786 232 in New Zealand.

Alternatively, simply return the faulty appliance to your place of purchase, along with your purchase receipt.

Your Sunbeam 12 Month Replacement Guarantee naturally does not cover misuse or negligent handling, and excludes breakables such as glass or ceramic items, and normal wear and tear.

Similarly, your 12 Month Replacement Guarantee does not cover damage to household surfaces as a result of water or other substances leaking from your appliance, nor does it cover freight costs.

In Australia, this guarantee is additional to the conditions and guarantees which are mandatory as implied under the Trade Practices Act 1974 and State and Territory legislation.

## **Sunbeam Service Centres**

Sunbeam has established a network of authorised service centres throughout Australia and New Zealand to provide quick, convenient service for our customers.

Should your appliance require repair or service, either during or after the guarantee period, contact your nearest service centre.

For a complete list of Sunbeam's authorised service centres:

### **Australia**

[www.sunbeam.com.au/servicecentres](http://www.sunbeam.com.au/servicecentres)  
1800 025 059

### **New Zealand**

[www.sunbeam.co.nz/servicecentres](http://www.sunbeam.co.nz/servicecentres)  
0800 786 232

The Sunbeam logo is written in a white, elegant cursive font on a red rectangular background.

## Consumer Hotline

In Australia

Visit [www.sunbeam.com.au](http://www.sunbeam.com.au)

Or call 1800 025 059

In New Zealand

Visit [www.sunbeam.co.nz](http://www.sunbeam.co.nz)

Or call 0800 786 232

 is a registered Trademark of Sunbeam.

'Sunbeam Metro' is a trademark of Sunbeam Corporation.  
Made in China.

Due to minor changes in design or otherwise,  
the product may differ from the one shown in this leaflet.

© Copyright. Sunbeam Corporation Limited 2006.

ABN 45 000 006 771

Sunbeam Corporation is a division of GUD Holdings Ltd.