

This document is a condensed version of the full Product Reference Manual.

This version only includes the Maxtor Information about the Product. Information that can be found in the ANSI specification is not included in this document to reduce its overall size. Also eliminated are the Table of Contents and Glossary.

This condensed version is created to allow faster downloading from Maxtor's Internet home page and MaxFax services.

**DiamondMax™ Plus 2500**

*91000D8, 90910D8, 90875D7, 90840D7  
90750D6, 90625D5 and 90500D4*

**Part #1402/A**

**Maxtor®**

All material contained herein Copyright © 1998 Maxtor Corporation. DiamondMax™, DiamondMax™ 1280, DiamondMax™ 1750, DiamondMax™ 2160, DiamondMax™ 2880, DiamondMax™ Plus 2500 and MaxFax™ are trademarks of Maxtor Corporation. No Quibble® Service is a registered trademark of Maxtor Corporation. Other brands or products are trademarks or registered trademarks of their respective holders. Contents and specifications subject to change without notice. All rights reserved. Printed in the U.S.A. 5/98

**Corporate Headquarters**

510 Cottonwood Drive  
Milpitas, California 95035  
Tel: 408-432-1700  
Fax: 408-432-4510

**Research and Development  
Engineering Center**

2190 Miller Drive  
Longmont, Colorado 80501  
Tel: 303-651-6000  
Fax: 303-678-2165

**Revisions****Manual No. 1402**

REV	EC NO.	SECTION	DESCRIPTION	DATE
A	79006C	All	Initial release.	05/29/98

# Before You Begin

Thank you for your interest in the Maxtor DiamondMax™ Plus 2500 AT hard disk drives. This manual provides technical information for OEM engineers and systems integrators regarding the installation and use of DiamondMax hard drives. Drive repair should be performed only at an authorized repair center. For repair information, contact the Maxtor Customer Service Center at 800-2MAXTOR or 408-432-1700.

Before unpacking the hard drive, please review Sections 1 through 4.

## CAUTION

**Maxtor DiamondMax Plus 2500 hard drives are precision products. Failure to follow these precautions and guidelines outlined here may lead to product failure, damage and invalidation of all warranties.**

- 1** *BEFORE* unpacking or handling a drive, take all proper electro-static discharge (ESD) precautions, including personnel and equipment grounding. Stand-alone drives are sensitive to ESD damage.
- 2** *BEFORE* removing drives from their packing material, allow them to reach room temperature.
- 3** During handling, *NEVER* drop, jar, or bump a drive.
- 4** Once a drive is removed from the Maxtor shipping container, *IMMEDIATELY* secure the drive through its mounting holes within a chassis. Otherwise, store the drive on a padded, grounded, antistatic surface.
- 5** *NEVER* switch DC power onto the drive by plugging an electrically live DC source cable into the drive's connector. *NEVER* connect a live bus to the drive's interface connector.

*Please do not remove or cover up Maxtor factory-installed drive labels. They contain information required should the drive ever need repair.*

## Introduction

### Maxtor Corporation

Maxtor Corporation has been providing high-quality computer storage products since 1982. Along the way, we've seen many changes in data storage needs. Not long ago, only a handful of specific users needed more than a couple hundred megabytes of storage. Today, downloading from the Internet and CD-ROMs, multimedia, networking and advanced office applications are driving storage needs even higher. Even home PC applications need capacities measured in gigabytes, not megabytes.

### Products

Maxtor's products meet those demanding storage capacity requirements with room to spare. They feature proven compatibility and reliability. While **DiamondMax™ Plus 2500** is the latest addition to our family of high performance desktop hard drives, the DiamondMax™ 3400, DiamondMax™ 2880 and DiamondMax™ 2160 series hard drives deliver industry-leading capacity, performance and value for many PC applications.

### Support

No matter which capacity, all Maxtor hard drives are supported by our commitment to total customer satisfaction and our *No Quibble®* Service guarantee. One call – or a visit to our home page on the Internet (<http://www.maxtor.com>) – puts you in touch with either technical support or customer service. We'll provide you the information you need quickly, accurately and in the form you prefer – a fax, a downloaded file or a conversation with a representative.

### Manual Organization

This hard disk drive reference manual is organized in the following method:

- Section 1 – Introduction
- Section 2 – Description
- Section 3 – Specifications
- Section 4 – Installation
- Section 5 – AT Interface
- Section 6 – Host Software Interface
- Section 7 – Interface Commands
- Section 8 – Service and Support
- Appendix – Glossary

### Abbreviations

ABBRV	DESCRIPTION	ABBRV	DESCRIPTION
ATA	AT attachment	MB	megabyte
bpi	bits per inch	Mbits/sec	megabits per second
CHS	cylinder - head - sector	MB/sec	megabytes per second
db	decibels	MHz	megahertz
dBA	decibels, A weighted	ms	millisecond
DMA	direct memory access	MSB	most significant bit
ECC	error correction code	mV	millivolts
fci	flux changes per inch	ns	nanoseconds
G	acceleration	PIO	programmed input/output
GB	gigabyte	RPM	revolutions per minute
Hz	hertz	tpi	tracks per inch
KB	kilobyte	UDMA	ultra direct memory access
LBA	logical block address(ing)	µsec	microsecond
LSB	least significant bit	V	volts
mA	milliamperes	W	watts

## Conventions

If there is a conflict between text and tables, the table shall be accepted as being correct.

### Key Words

The names of abbreviations, commands, fields and acronyms used as signal names are in all uppercase type (e.g., IDENTIFY DRIVE). Fields containing only one bit are usually referred to as the “name” bit instead of the “name” field.

Names of drive registers begin with a capital letter (e.g., Cylinder High register).

### Numbering

Numbers that are **not** followed by a lowercase “b” or “h” are decimal values. Numbers that are followed by a lowercase “b” (e.g., 01b) are binary values. Numbers that are followed by a lowercase “h” (e.g., 3Ah) are hexadecimal values.

### Signal Conventions

Signal names are shown in all uppercase type.

All signals are either high active or low active signals. A dash character (-) at the end of a signal name indicates that the signal is low active. A low active signal is true when it is below ViL and is false when it is above ViH. A signal without a dash at the end indicates that the signal is high active. A high active signal is true when it is above ViH and is false when it is below ViL.

When a signal is asserted, it means the signal is driven by an active circuit to its true state.

When a signal is negated, it means the signal is driven by an active circuit to its false state.

When a signal is released, it means the signal is not actively driven to any state. Some signals have bias circuitry that pull the signal to either a true or false state when no signal driver is actively asserting or negating the signal. These instances are noted under the description of the signal.

---

## Product Description

Maxtor DiamondMax™ Plus 2500 AT disk drives are 1-inch high, 3.5-inch diameter random access storage devices which incorporate an on-board ATA/Ultra DMA controller. High capacity is achieved by a balanced combination of high areal recording density and the latest data encoding and servo techniques.

Maxtor's latest advancements in electronic packaging and integration methods have lowered the drive's power consumption and increased its reliability. Advanced magneto-resistive read/write heads, an state-of-the-art head/disk assembly using an integrated motor/spindle design allow up to four disks in a 3.5-inch package.

Exceptionally high data transfer rates and 9.0 ms access times make these performance series disk drives especially well-suited to high speed desktop and server applications.

### DiamondMax Plus 2500 Key Features

*ANSI ATA-4 compliant PIO Mode 4 interface (Enhanced IDE)*

*Supports Ultra DMA Mode 2 for up to 33 MB/sec data transfers*

*512 KB buffer with multi-adaptive cache manager*

*9.0 ms seek time*

*Zone density and I.D.-less recording*

*High reliability with > 500,000 hour MTBF*

*Outstanding shock resistance at 200 Gs*

*High durability with 50 K constant start/stop cycles*

*Advanced multi-burst on-the-fly Error Correction Code (ECC)*

*Extended data integrity with ECC protected data and fault tolerant servo synchronization fields*

*Supports EPA Energy Star Standards (Green PC Friendly) with ATA powering savings commands*

*Auto park and lock actuator mechanism*

*Low power consumption*

*S.M.A.R.T. Capability*

*Note: Maxtor defines one megabyte as  $10^6$  or one million bytes (1,000,000) and one gigabyte as  $10^9$  or one billion bytes (1,000,000,000).*

## Product Features

### Functional / Interface

Maxtor DiamondMax™ Plus 2500 hard drives contain all necessary mechanical and electronic parts to interpret control signals and commands from an AT-compatible host computer. See Section 3 Product Specifications, for complete drive specifications.

#### Zone Density Recording

The disk capacity is increased with bit density management – common with Zone Density Recording. Each disk surface is divided into 16 circumferential zones. All tracks within a given zone contain a constant number of data sectors. The number of data sectors per track varies in different zones; the outermost zone contains the largest number of data sectors and the innermost contains the fewest.

#### Read/Write Multiple Mode

This mode is implemented per ANSI ATA/ATAPI-4 specification. Read/Write Multiple allows the host to transfer a set number of sectors without an interrupt request between them, reducing transfer process overhead and improving host performance.

#### UltraDMA - Mode 2

Maxtor DiamondMax Plus 2500 hard drives fully comply with the new ANSI Ultra DMA protocol, which greatly improves overall AT interface performance by significantly improving burst and sustained data throughput.

#### Multi-word DMA (EISA Type B) - Mode 2

Supports multi-word Direct Memory Access (DMA) EISA Type B mode transfers.

#### Sector Address Translation

All DiamondMax Plus 2500 drives feature a universal translate mode. In an AT/EISA-class system, the drive may be configured to any specified combination of cylinders, heads and sectors (within the range of the drive's formatted capacity). DiamondMax Plus 2500 drives power-up in a translate mode:

MODEL	CYL	HD	SPT	LZone	WPcom	CAPACITY	MAX LBA
91000D8	19,390	16	63	(*)	(*)	10.00 GB	19,545,120
90910D8	17,645	16	63	(*)	(*)	9.10 GB	17,786,160
90875D7	16,966	16	63	(*)	(*)	8.75 GB	17,101,728
90840D7	16,277	16	63	(*)	(*)	8.40 GB	16,407,216
90750D6	14,542	16	63	(*)	(*)	7.50 GB	14,658,336
90625D5	12,119	16	63	(*)	(*)	6.25 GB	12,215,952
90500D4	9,695	16	63	(*)	(*)	5.00 GB	9,772,560

(\*) The fields LZone (Landing Zone) and WPcom (Write Pre-comp) are not used by the Maxtor hard drive and the values may be either 0 or the values set by the BIOS. All capacities listed in the above table are based on 10<sup>6</sup> or one million bytes.

## Logical Block Addressing

The Logical Block Address (LBA) mode can only be utilized in systems that support this form of translation. The cylinder, head and sector geometry of the drive, as presented to the host, differs from the actual physical geometry. The host AT computer may access a drive of set parameters: number of cylinders, heads and sectors per track, plus cylinder, head and sector addresses. However, the drive can't use these host parameters directly because of zoned recording techniques. The drive translates the host parameters to a set of logical internal addresses for data access.

The host drive geometry parameters are mapped into an LBA based on this formula:

$$\text{LBA} = (\text{HSCA} - 1) + \text{HHDA} \times \text{HSPT} + \text{HNHD} \times \text{HSPT} \times \text{HCYA} \quad (1)$$

$$= (\text{HSCA} - 1) + \text{HSPT} \times (\text{HHDA} + \text{HNHD} \times \text{HCYA}) \quad (2)$$

where HSCA = Host Sector Address, HHDA = Host Head Address  
 HCYA = Host Cylinder Address, HNHD = Host Number of Heads  
 HSPT = Host Sectors per Track

The LBA is checked for violating the drive capacity. If it does not, the LBA is converted to physical drive cylinder, head and sector values. The physical address is then used to access or store the data on the disk and for other drive related operations.

## Defect Management Zone (DMZ)

Each drive model has a fixed number of spare sectors per drive, all of which are located at the end of the drive. Upon detection of a bad sector that has been reassigned, the next sequential sector is used.

For example, if sector 3 is flagged, data that would have been stored there is “pushed down” and recorded in sector 4. Sector 4 then effectively becomes sector 3, as sequential sectors are “pushed down” across the entire drive. The first spare sector makes up for the loss of sector 3, and so maintains the sequential order of data. This push down method assures maximum performance.

## On-the-Fly Hardware Error Correction Code (ECC)

33 bits, single burst, guaranteed

## Software ECC Correction

81 bits, single burst, guaranteed

33 bits, double bursts, guaranteed

## Automatic Park and Lock Operation

Immediately following power down, dynamic braking of the spinning disks delays momentarily allowing the read/write heads to move to an inner mechanical stop. A small fixed magnet holds the rotary actuator in place as the disk spins down. The rotary actuator is released only when power is again applied.



## Cache Management

### Buffer Segmentation

The data buffer is organized into two segments: the data buffer and the micro controller scratch pad. The data buffer is dynamically allocated for read and write data depending on the commands received. A variable number of read and write buffers may exist at the same time.

### Read-Ahead Mode

Normally, this mode is active. Following a read request, disk read-ahead begins on the first sector and continues sequentially until the allocated buffer is full. If a read request is received during the read-ahead operation, the buffer is examined to determine if the request is in the cache. If a cache hit occurs, read-ahead mode continues without interruption and the host transfer begins immediately.

### Automatic Write Reallocation (AWR)

This feature is part of the write cache and reduces the risk of data loss during deferred write operations. If a disk error occurs during the disk write process, the disk task stops and the suspect sector is reallocated to a pool of alternate sectors located at the end of the drive. Following reallocation, the disk write task continues until it is complete.

### Write Cache Stacking

Normally, this mode is active. Write cache mode accepts the host write data into the buffer until the buffer is full or the host transfer is complete. A command complete interrupt is generated at the end of the transfer.

A disk write task begins to store the host data to disk. Host write commands continue to be accepted and data transferred to the buffer until either the write command stack is full or the data buffer is full. The drive may reorder write commands to optimize drive throughput.

## Major HDA Components

### Drive Mechanism

A brush-less DC direct drive motor rotates the spindle at 7,200 RPM ( $\pm 0.1\%$ ). The dynamically balanced motor/spindle assembly ensures minimal mechanical run-out to the disks. A dynamic brake provides a fast stop to the spindle motor upon power removal. The speed tolerance includes motor performance and motor circuit tolerances.

### Rotary Actuator

All DiamondMax™ Plus 2500 drives employ a rotary voice coil actuator which consists of a moving coil, an actuator arm assembly and stationary magnets. The actuator moves on a low-mass, low-friction center shaft. The low friction contributes to fast access times and low power consumption.

### Read/Write Electronics

An integrated circuit mounted within the sealed head disk assembly (near the read/write heads) provides up to eight head selection (depending on the model), read pre-amplification and write drive circuitry.

### Read/Write Heads and Media

Low mass, low force magneto-resistive read/write heads record data on 3.5-inch diameter disks. Maxtor uses a sputtered thin film medium on all disks for DiamondMax Plus 2500 drives.

### Air Filtration System

All DiamondMax Plus 2500 drives are assembled in a Class 100 controlled environment. Over the life of the drive, a 0.1 micron filter and breather filter located within the sealed head disk assembly (HDA) maintain a clean environment to the heads and disks. DiamondMax Plus 2500 drives are designed to operate in a typical office environment with minimum environmental control.

### Microprocessor

The microprocessor controls the following functions for the drive electronics:

- Command execution
- Cache management
- Data correction and error recovery
- Diagnostic execution
- Data sequencing
- Head positioning (including error recovery)
- Host interface
- Index detection
- Spin speed control
- Seeks
- Servo
- S.M.A.R.T.

## Subsystem Configuration

### Dual Drive Support

Two drives may be accessed via a common interface cable, using the same range of I/O addresses. The drives are jumpered as device 0 or 1 (Master/Slave), and are selected by the drive select bit in the Device/Head register of the task file.

All Task File registers are written in parallel to both drives. The interface processor on each drive decides whether a command written to it should be executed; this depends on the type of command and which drive is selected. Only the drive selected executes the command and activates the data bus in response to host I/O reads; the drive not selected remains inactive.

A master/slave relationship exists between the two drives: device 0 is the master and device 1 the slave. When J50 is closed (factory default, figure 2-1), the drive assumes the role of master; when open, the drive acts as a slave. In single drive configurations, J50 must be closed.

### Cable Select Option

CSEL (cable select) is an optional feature per ANSI ATA specification. Drives configured in a multiple drive system are identified by CSEL's value:

- If CSEL is grounded, then the drive address is 0.
- If CSEL is open, then the drive address is 1.

## Jumper Location/Configuration

Darkened jumper pins indicate factory-installed (default) shunts.

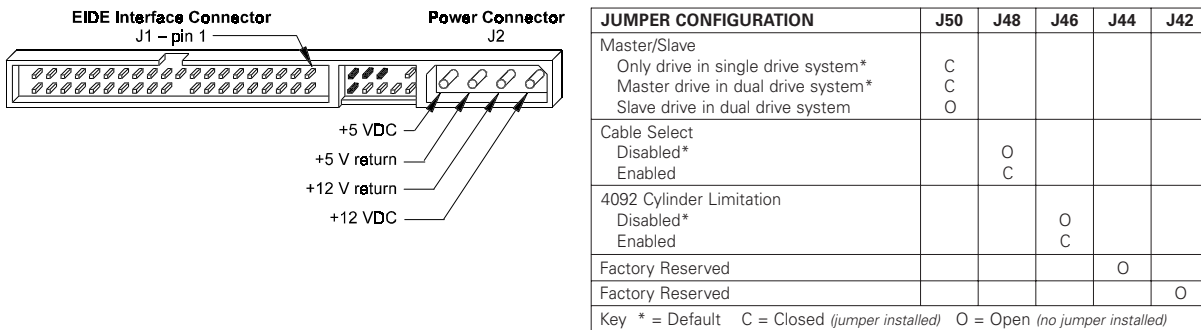


Figure 2-1  
PCBA Jumper Location and Configuration

## 4092 Cylinder Limitation

On some older BIOS', primarily those that auto-configure the disk drive, a hang may occur when the drive cylinder value exceeds 4096. The 4092 Cylinder Limitation jumper reduces the capacity in the Identify Drive to 4092 – allowing large capacity drives to work with older BIOS'. Use Maxtor's MaxBlast Plus installation software to access the full capacity of the drive.

## Product Specifications

### Models and Capacities

MODEL	91000D8	90910D8	90875D7	90840D7	90750D6	90625D5	90500D4
Formatted Capacity (MB LBA Mode)	10,000	9,100	8,750	8,400	7,500	6,250	5,000
<i>Maxtor defines one megabyte as 10<sup>6</sup> or one million bytes and one gigabyte as 10<sup>9</sup> or one billion bytes.</i>							

### Drive Configuration

MODEL	91000D8	90910D7	90875D7	90840D7	90750D6	90625D5	90500D4
Integrated Controller / Interface	ATA-4 /EIDE						
Encoding Method	EPR4 RLL 16/17						
Interleave	1:1						
Servo System	Embedded						
Buffer Size / Type	512 KB SDRAM						
Data Zones per Surface	16						
Data Surfaces / Heads	8	8	7	7	6	5	4
Aerial Density	1,680 Mb / in <sup>2</sup>						
Tracks per Surface (Cylinders)	10,022						
Track Density	9,800 tpi						
Flux Density	148-190 kfc						
Recording Density	139-179 kbpi						
Bytes per Sector / Block	512						
Sectors per Track	174-288						
Sectors per Drive	19,545,120	17,786,160	17,101,728	16,407,216	14,658,336	12,215,952	9,772,560

### Performance Specifications

MODEL	91000D8	90910D8	90875D7	90840D7	90750D6	90625D5	90500D4
Seek Times (typical)							
Track-to-track	< 1.0 ms						
Average	9.0 ms						
Maximum	< 20 ms						
Average Latency	4.17 ms						
Rotational Speed ( $\pm 0.1\%$ )	7,200 RPM						
Controller Command Overhead	< 0.5 ms						
Data Transfer Rate							
To/from Interface (Ultra DMA - Mode 2)	up to 33.3 MB/sec						
To/from Interface (PIO 4/Multi-word DMA - Mode 2)	up to 16.7 MB/sec						
To/from Media	up to 21.9 MB/sec						
Start Time (0 to Drive Ready)	< 11.0 sec typical						

### Physical Dimensions

PARAMETER	STANDARD	METRIC
Height	1.02 inch	25.9 millimeters
Length	5.77 inches	146.6 millimeters
Width	4.02 inches	102.1 millimeters
Weight	1.3 pounds	0.59 kilograms

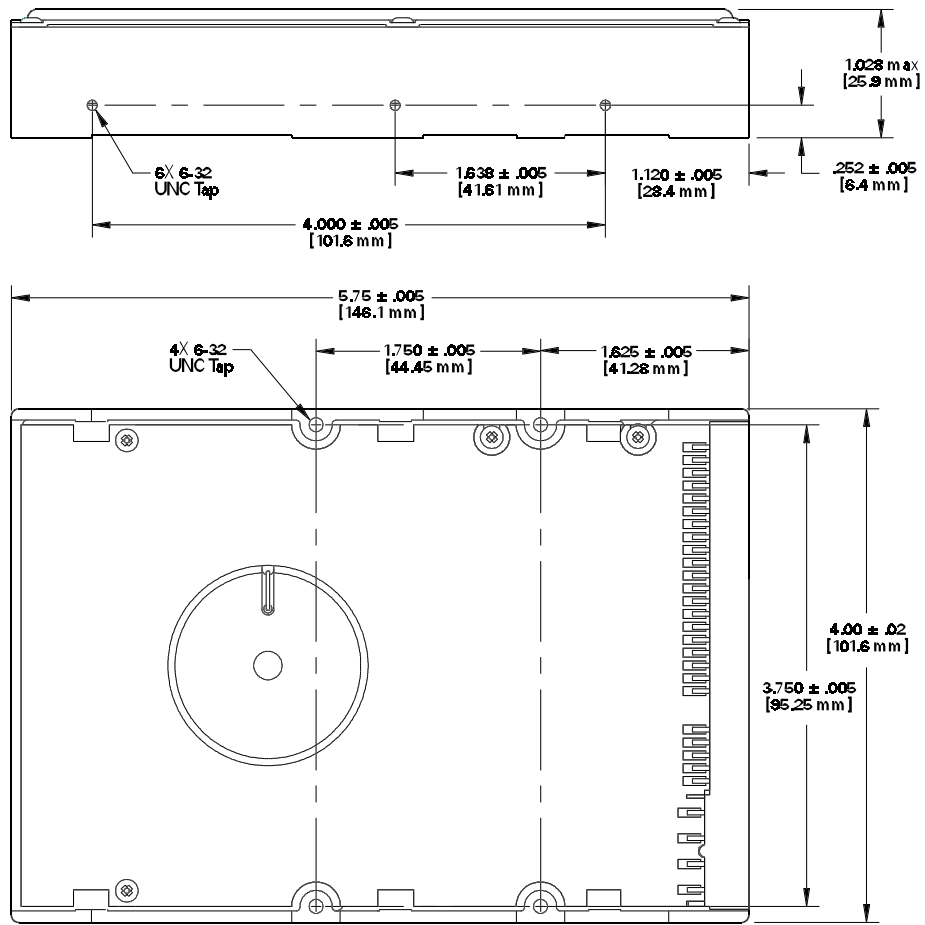


Figure 3 - 1  
Outline and Mounting Dimensions

## Power Requirements (Average)

MODE	12V ± 5%	5V ± 5%	POWER
Spin-up ( <i>peak</i> )	2400 mA	200 mA	
Seek	710 mA	330 mA	10.2 W
Read/Write	345 mA	350 mA	5.9 W
Idle	390 mA	225 mA	5.8 W
Standby	7 mA	245 mA	1.3 W
Sleep	7 mA	140 mA	0.8 W

## Power Mode Definitions

### Spin-up

The drive is spinning up following initial application of power and has not yet reached full speed.

### Seek

A random access operation by the disk drive.

### Read/Write

Data is being read from or written to the drive.

### Idle

The drive is spinning, the actuator is parked and powered off and all other circuitry is powered on. The drive is capable of responding to read commands within 40 ms.

### Standby

The spin motor is not spinning. The drive will leave this mode upon receipt of a command that requires disk access. The time-out value for this mode is programmable. The buffer is active to accept write data.

### Sleep

This is the lowest power state – with the interface set to inactive. A software or hardware reset is required to return the drive to the Standby state.

## EPA Energy Star Compliance

Maxtor Corporation supports the goals of the U.S. Environmental Protection Agency's Energy Star program to reduce the electrical power consumption of computer equipment.

## Environmental Limits

PARAMETER	OPERATING	NON-OPERATING/STORAGE
Temperature	5° C to 55° C	low temperature (-40°)  high temperature (71° C) per MIL-STD-810E, method 501.3, climatic category; hot-induced conditions.
Thermal Gradient		25° C per hour ( <i>maximum</i> )
Relative Humidity		5% to 95% ( <i>non-condensing</i> )
Wet Bulb		27° C ( <i>maximum</i> )
Altitude	-200 to 10,000 feet	-200 to 40,000 feet
Acoustic Noise ( <i>Idle mode</i> )	37 dBA average sound power ( <i>per ISO 7779, 10 microphone</i> )	

## Shock and Vibration

PARAMETER	OPERATING	NON-OPERATING
Mechanical Shock	20 Gs, 2.0 ms, no errors	200 Gs, 2.0 ms, no damage
Random Vibration	10 - 300 Hz at 0.004 G <sup>2</sup> /Hz 301 - 500 Hz at 0.0006 G <sup>2</sup> /Hz	10 Hz at 0.015 G <sup>2</sup> /Hz 40 Hz at 0.015 G <sup>2</sup> /Hz 500 Hz at 0.00015 G <sup>2</sup> /Hz
Swept Sine Vibration 5 - 20 Hz 21 - 300 Hz	0.049 inches double amplitude 1.0 G peak amplitude (0 - peak)	

## Reliability Specifications

### AFR

< 1.7%

The annualized average failure rate (AFR) applies to the period prior to the expiration of component design life, and is based on failures chargeable to Maxtor.

### MTBF

> 500,000 hours

Maxtor does not differentiate between various usage profiles (e.g., power-on hours, power saving modes, non-operating periods or operating temperatures within the published specification.)

### Quality Acceptance Rate

TBD (< 1,500 DPPM)

The quality acceptance rate indicates the percentage of Maxtor products successfully installed by our customers, and/or the number of defective parts per million (DPPM) encountered during the entire installation process.

### Start/Stop Cycles

50,000 (minimum)

This indicates the minimum cycles for reliable start/stop function at a  $\geq 60\%$  confidence level.

### Data Reliability

< 1 per  $10^{14}$  bits read

Data errors (non-recoverable). Average data error rate allowed with all error recovery features activated.

### Component Design Life

5 years (minimum)

Component design life is defined as a.) the time period before identified wear-out mechanisms impact the failure rate, or b.) the time period up to the wear-out point when useful component life expires.

## **EMC/EMI**

### **Radiated Electromagnetic Field Emissions - EMC Compliance**

The hard disk drive mechanism is designed as a subassembly for installation into a suitable enclosure and is therefore not subject to Subpart J of Part 15 of FCC Rules (47CFR15) or the Canadian Department of Communications Radio Interference Regulations. Although not required, the disk mechanism has been tested within a suitable end-use product and found to comply with Class B limits of the FCC Rules and Regulations of the Canadian Department of Communications.

The CE Marking indicates conformity with the European Union Low Voltage Directive (73/23/EEC) when the disk mechanism is installed in a typical personal computer. Maxtor recommends that testing and analysis for EMC compliance be performed with the disk mechanism installed within the user's end-use application.

### **Canadian Emissions Statement**

This digital apparatus does not exceed the Class B limits for radio noise emissions from digital apparatus as set out in the radio interference regulations of the Canadian department of communications.

Le present appareil numerique n'emet pas de bruit radioelectriques depassant les limites applicables aux appareils numeriques de Class B prescrites dans le reglement sur le brouillage radioelectrique edicte par le ministere des communications du Canada.

## **Safety Regulatory Compliance**

All Maxtor DiamondMax™ Plus 2500 drives comply with relevant product safety standards such as CE, CUL, TUV and UL rules and regulations. As delivered, DiamondMax Plus 2500 hard disk drives are designed for system integration before they are used.



## Handling and Installation

### Pre-formatted Drive

This Maxtor hard drive has been formatted at the factory. Do not use a low-level formatting program.

### Important Notice

There are a number of system BIOS's currently in use which do not support hard drives with more than 4095 cylinders (2.1 gigabytes). This section contains information describing the conditions which may identify this limitation. In order to obtain the full capacity of your Maxtor drive, you will need to follow the recommended installation instructions.

### Hard Drive Handling Precautions

- ◆ During handling, *NEVER* drop, jar, or bump a drive. Handle the drive by its sides and avoid touching the printed circuit board assembly (PCBA).
- ◆ Hard drives are sensitive to electrostatic discharge (ESD) damage. Use proper ESD practices by grounding yourself and the computer system the hard drive will be installed in.
- ◆ Allow the hard drive to reach room temperature *BEFORE* installing it in your computer system.
- ◆ *NEVER* switch DC power onto the drive by plugging an electrically live DC source cable into the drive's connector. *NEVER* connect a live connector to the hard drive's IDE interface connector.

### Electro-Static Discharge (ESD)

To avoid some of the problems associated with ESD, Maxtor advises that anyone handling a disk drive use a wrist strap with an attached wire connected to an earth ground. Failure to observe these precautions voids the product warranty.

Manufacturers frequently experience "unsolved" component/hardware malfunctions often caused by ESD. To reduce the incidence of ESD-related problems, Maxtor recommends that any electronics manufacturing plans include a comprehensive ESD program, the basic elements and functions of which are outlined here:

ESD Program Element	<i>ESD Program Function</i>
Management	<i>Institute and maintain</i>
Chief coordinator	<i>Organize and enforce</i>
Multi-department committee	<i>Evaluate and improve</i>
Employee training	<i>Educate and inform</i>

ESD program supplies typically include: wrist- and foot-worn grounding straps; counter-top and floor antistatic matting; wrist strap testers; ESD video and training materials. Sources for such supplies include:

Static Control Systems – 3M	Charleswater
225-4S, 3M Center	93 Border St.
St. Paul, MN 55144	West Newton, MA 02165-9990

Maxtor also offers a complete video training package, "Care and Handling of Maxtor Disk Drives." Contact your Maxtor representative for details.

## Unpacking and Inspection

Retain any packing material for reuse. Inspect the shipping container for evidence of damage in transit. Notify the carrier immediately in case of damage to the shipping container.

As they are removed, inspect drives for evidence of shipping damage or loose hardware. If a drive is damaged (and no container damage is evident), notify Maxtor immediately for drive disposition.

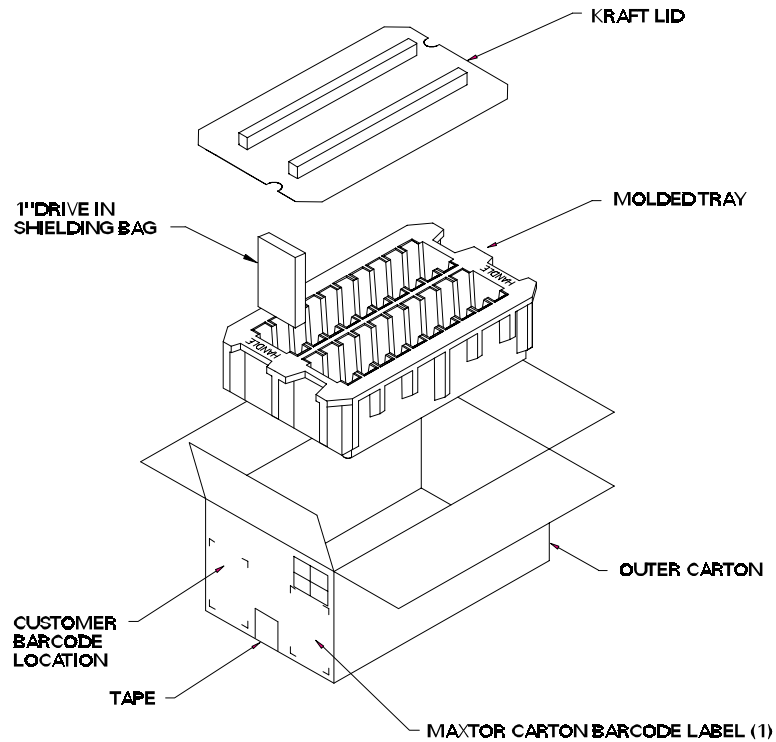


Figure 4 - 1  
Multi-pack Shipping Container

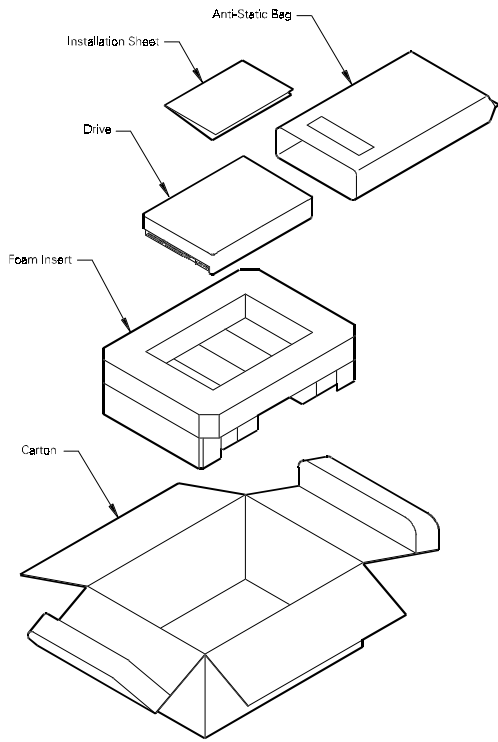


Figure 4 - 2  
Single Pack Shipping Container (Option A)

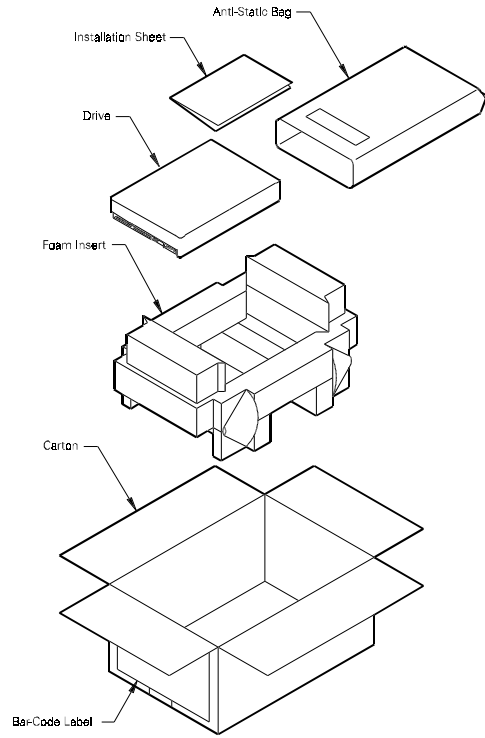


Figure 4 - 3  
Single Pack Shipping Container (Option B)

## Repacking

If a Maxtor drive requires return, repack it using Maxtor packing materials, including the antistatic bag.

## Physical Installation

### Recommended Mounting Configuration

The DiamondMax™ Plus 10,000 drive design allows greater shock tolerance than that afforded by larger, heavier drives. The drive may be mounted in any attitude using four size 6-32 screws with 1/8-inch maximum penetration and a maximum torque of 5-inch pounds. See Figure 3-1 for mounting dimensions. Allow adequate ventilation to the drive to ensure reliable operation.

# 1 Before You Begin

## IMPORTANT – PLEASE READ!

Please read this Installation Sheet completely before installing the Maxtor hard drive. It gives general information for installing a Maxtor hard drive in a **typical** computer system.



If you don't understand the installation steps, have a qualified computer technician install the hard drive.

## Handling Precautions



Allow the hard drive to reach room temperature *BEFORE* installing it in your computer system.



Hard drives are sensitive to electrostatic discharge (ESD) damage. Handle the drive by its sides. *DO NOT* touch the printed circuit board assembly.



*NEVER* drop, jar, or bump the drive.



*DON'T* connect/disconnect any drive cables when the power is on.



*DON'T* use any low-level formatting software on this drive.

## System Requirements

- ◆ IDE/AT interface
- ◆ 486 processor or higher
- ◆ Operating System Requirements
  - For drives less than or equal to 8.4 GB: DOS 5.0 or higher
  - For drives larger than 8.4 GB:
    - √ Installing as Boot drive (Primary Master) requires **full** installation set of Windows 95 or higher (not upgrade).
    - √ Installing as non-Boot drive (Primary Slave, Secondary Master or Slave) requires that Windows 95 or higher be installed on the Boot drive.

## Tools for Installation

The following tools are needed to complete the installation of your Maxtor hard drive:

- ◆ A small Phillips head screw driver
- ◆ Your computer user's manual
- ◆ Small needle-nose pliers or tweezers
- ◆ Operating system software

## Drive Identification Information

Copy the following information from the label on the top cover of the Maxtor hard drive for future reference:

Model Number \_\_\_\_\_ Serial Number \_\_\_\_\_

Cylinders \_\_\_\_\_ Heads \_\_\_\_\_ Sectors \_\_\_\_\_

## Capacity Barriers

Due to operating system limitations, DOS cannot access the full capacity of drives larger than 8.4 GB. The Microsoft Windows 95 operating system or equivalent (full installation), NOT a Windows 95 upgrade from DOS (Windows 3.1 or 3.11), is required to obtain the full capacity of any hard drive larger than 8.4 GB.

## Protecting Your Existing Data

Periodic backup of important data is always a good idea. Whenever your computer is on, there is the potential for losing data on your hard drive. This is especially true when running disk utilities or any software that directly manipulates your files. Maxtor recommends that you **make a backup copy** of the files on any existing hard drives. If required, this data may then be copied to the Maxtor hard drive after it has been installed in your computer. Refer to your computer user's manual for detailed data backup instructions.

## 2 General Requirements

### System Hardware Requirements

The minimum system Maxtor recommends for drives 8.4 GB or less is a 486 DX 66 MHz system. For drives larger than 8.4 GB, we recommend a Pentium-class system.

### BIOS Requirements

System BIOS dated prior to September 1997 do not support drives greater than 8.4 GB. To obtain the full capacity of a drive larger than 8.4 GB, upgrade the BIOS, install a BIOS enhancer card or use the MaxBlast installation software (version 9.06 or newer).

### Ultra Direct Memory Access (UDMA)

UDMA mode on a Maxtor hard drive will only activate when the drive is installed in a system with full UDMA capability, i.e., a mother board or interface card with the UDMA chips and the associated UDMA software drivers.

### OS Requirements for Large Capacity Hard Drives

A full installation of the Windows 95 operating system is required for hard drives larger than 8.4 GB when the drive is a Primary Master. An upgrade to Windows 95 from Windows 3.11 and/or the DOS operating system **will not** support drive capacities greater than 8.4 GB when the drive is a Primary Master.

## 3 Hard Drive Identification

IDE stands for Integrated Drive Electronics and EIDE is Enhanced IDE. The IDE or EIDE interface is designed to support two devices – typically hard drives – on a single ribbon cable through one 40 pin connector on the mother board or interface card.

Some mother boards and interface cards may have a second IDE/EIDE connector to support two additional IDE devices. The IDE/EIDE interface is identified as a primary or secondary interface. In systems with only a single connector on the mother board or interface card, it is the primary IDE/EIDE interface. To add a second IDE/EIDE interface requires a special interface card. In systems with two connectors on the mother board or interface card, one is the primary and the other as the secondary.

The primary interface must be used for at least one IDE device before connecting any devices to the secondary IDE interface.

Ribbon cable lengths are limited to 18 inches and have two or three 40 pin connectors. This cable is referred to as a parallel cable and IDE devices may be connected anywhere on the cable. One of the connectors is attached to the IDE connector on the mother board or interface card and the remaining connector(s) are available for the IDE devices.

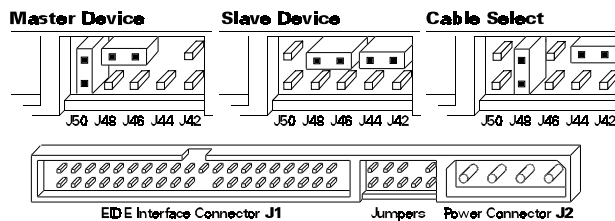
### Identifying IDE Devices on the Interface

Each device must be identified as either the Master or Slave device on that interface (cable). Each cable must have a Master before it can have a Slave device on the cable. There cannot be two Master or two Slave devices on the same cable.

IDE devices use jumpers to designate the Master/Slave identification of the device. Each manufacturer may have its own jumpering scheme to identify the device as a Master or Slave and its relationship to other IDE devices attached to the same cable.

### Jumper Settings

A jumper is a small piece of plastic that slides over a pair of configuration pins on the drive to activate a specific function. The jumper illustration below shows three valid jumper settings for Maxtor hard drives – Master, Slave and Cable Select. Maxtor hard drives can be set as either a Master or a Slave device. There are no other jumpers to set when the Maxtor drive is installed on the same ribbon cable with another IDE device.



**Rear View of Maxtor Hard Drive**  
Master, Slave and Cable Select Settings

Before installing the drive in the computer, you **must** determine how the jumpers on the Maxtor hard drive are to be set for your system based upon the use of the Maxtor hard drive as either a Master or Slave device. Maxtor hard drives are shipped with the Master jumper setting enabled.

**IMPORTANT:** If a Maxtor hard drive is being added to a system on the same cable with an existing IDE device, it may be necessary to re-configure the jumpers on the existing device to insure that the system will properly recognize both devices. Information regarding the correct jumper configurations on other IDE devices is available in their product documentation or from the manufacturer of that device.

## Systems Using Cable Select

**IMPORTANT** – Most systems do not use this feature. Unless you are sure that your computer system supports Cable Select, do not set up the drive with this feature enabled.

Maxtor hard drives support Cable Select. The Cable Select method of drive identification allows the system to identify Master and Slave IDE devices based upon the position (connector) the IDE device is attached to on the interface (ribbon) cable.

A special IDE cable select interface (ribbon) cable is **required** for systems using the Cable Select feature.

Systems that use Cable Select do not support the standard Master/Slave definitions described above and the standard IDE interface (ribbon) cable **cannot** be used on these systems. If your system supports this feature, refer to the system user's manual or contact the system manufacturer for specific procedures for installing hard drives.

On Maxtor hard drives, Cable Select is enabled by installing a jumper on J48.

## Relationship to Other IDE Devices

Maxtor recommends that its hard drives be configured as a Master device to any IDE device that is not a hard drive (e.g., CD-ROM's, tape drives, Zip drives etc.).

# 4 Mounting Drive in System

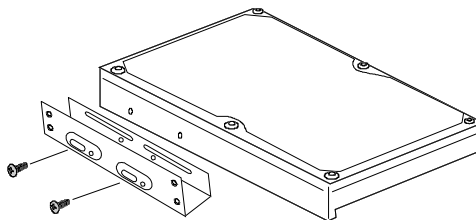
Turn the computer OFF, disconnect the power cord and remove the cover. Refer to the computer user's manual for information on removing the cover.

Each system manufacturer uses different types of cases, including desktop, mini-tower, full tower and other special configurations. As a result, there are many different possible mounting locations that could be used.

In a typical system case, there are specific 3.5 inch and 5.25 inch bays available for storage devices. When a 3.5 inch mounting bay is available, mounting brackets are not required. If a 5.25 inch mounting bay is used, mounting brackets will be required to mount the Maxtor hard drive in the system case. Refer to the system manufacturer's user's manual or contact the system manufacturer directly for additional information.

## Installing 5.25-inch Mounting Brackets and Rails

If the Maxtor hard drive is being mounted in a 5.25 inch drive bay, the following figure shows how to attach the brackets to the drive. The brackets are not required when mounting in a 3.5 inch drive bay.



## Installing in a Device Bay

After the hard drive is prepared with mounting brackets, if required, and the jumpers are set correctly, the drive can be mounted in a device bay and secured. Be sure to secure the drive with all four screws in the device bay. This provides grounding and protection from shock and vibration.

**NOTE:** Computer systems use different methods for mounting hard drives. Please refer to the computer user's manual or contact the manufacturer for specific mounting instructions.

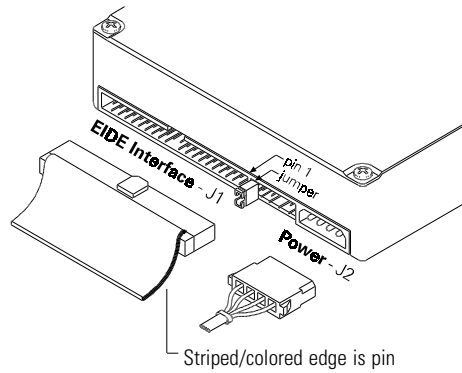
## 5 Attaching Interface and Power Cables

In order for the computer to recognize that the Maxtor hard drive is in the system, the power cable and IDE interface cable must be properly connected.

- 1 Attach an available IDE interface connector to **J1** on the Maxtor hard drive.

The striped or colored edge of the IDE interface cable indicates pin 1. Pin 1 on the IDE interface cable connector must match pin 1 on the Maxtor hard drive IDE interface connector – closest to the drive power connector. It must also match pin 1 on the IDE connector on the mother board or IDE interface card. Refer to the system or interface card user's manual for identification of pin 1 on their IDE interface connector.

- 2 Connect an available power connector to **J2** on the Maxtor hard drive. This connector is keyed and will only fit in one orientation. Do not force the connector.



After attaching the IDE interface cable and the power cable to the Maxtor hard drive, verify that all other cables connected to other devices, the mother board or interface card(s) are correctly seated.

## 6 Attaching System Cables

The computer system the Maxtor hard drive is being installed in will have its own cable placement and connection methods. This means that the location of the IDE interface connectors on the mother board and/or interface card and the orientation of pin one is determined by the manufacturer. Also, older systems and interface cards may have only a single IDE interface connection – limiting the system to two IDE devices. Refer to the system or interface card user's manual for cable connection and orientation instructions.

Attach the 40-pin IDE interface cable from the Maxtor hard drive to the IDE connector on the mother board or IDE interface card. Insure that the red edge of the ribbon cable is oriented to pin 1 on the interface.

# 7 System Setup

The following procedures are designed for systems using the DOS 5.0 (or higher), Windows 95 and Windows 98 operating systems. For other operating systems (e.g., Windows NT, OS2, UNIX, LINUX and Novell NetWare), refer to the operating system user's manual for the BIOS setting and other installation requirements.

For drives with capacities larger than 8.4 GB, the full installation set for Windows 95A or 95B (OSR2), Windows 98 or equivalent, is required. Operating systems that do not support extended interrupt 13 cannot access or format a drive larger than 8.4 GB. This is true regardless of BIOS, mother board or interface card support. DOS based operating systems do not support this interrupt and are limited to a maximum drive size that they can format and access of 8.4 GB. It is not possible to upgrade from a DOS operating system to Windows 95 and obtain the full capacity of a drive larger than 8.4 GB.

## Setting the BIOS (CMOS)

The SETUP (BIOS) program identifies the system configuration information (e.g., floppy disk drives, hard disk drives, video, etc.) used to identify devices attached to the computer during system boot. This includes the information about what kind and how many IDE hard drives are attached to the system.

**IMPORTANT:** Please Note – Major BIOS manufacturers like AMI, Award and Phoenix provide their core BIOS programs to system board manufacturers and OEM's who have the capability of making modifications to some of the descriptions and definitions to meet their unique requirements. These changes include, but are not limited to, how to access the BIOS, the appearance of the information on the screens and the location of parameters within the BIOS. Refer to the system or BIOS manufacturers documentation or contact the system manufacturer for the correct procedure to enter the BIOS setup program for your computer. Some manufacturers may use their own unique BIOS definitions and configurations and will also have their own methods for accessing and setting the BIOS. If you have a system that uses such a unique BIOS, refer to the system user's manual or contact the manufacturer for assistance.

**WARNING:** When entering settings for the Maxtor hard drive, be careful not to change any of the other BIOS settings, or other parts of the system may not work correctly.

## BIOS (CMOS) Parameters

In order for the computer system to recognize the new Maxtor hard drive, it is necessary to set the system BIOS with the correct information about the drive. To do this, run the system SETUP (BIOS) program.

The Maxtor hard drive must be identified to the system through the BIOS and it must be registered in the BIOS based upon its position relative to the other IDE devices connected to the system and recorded in the BIOS.

**Most** newer BIOS' provide the descriptions of Primary Master, Primary Slave, Secondary Master and Secondary Slave (see section 2) which identify the device configuration and location on an IDE interface and its relationship to the other IDE devices on the same interface or ribbon cable.

Some older BIOS versions do not use this terminology for identification and it may be necessary to refer to the system user's manual or BIOS documentation to determine where the drive settings should be set in that specific BIOS. If this information is not available, then it will be necessary to contact the system manufacturer for the correct terminology to correctly identify the drives within the system.

The following are the typical steps to be used to set the hard drive parameters in a BIOS:

**A** Turn the system ON. During the system start-up sequence, run the SETUP (BIOS) program or similar commands to access the system BIOS.

**Note:** Newer systems will typically display a message (e.g., press DEL to Enter Setup) identifying how to access the SETUP (BIOS) program.

**B** Once the SETUP (BIOS) program is active, do one of the following to set the BIOS parameters for the Maxtor hard drive.

**1** Enter the BIOS menu where the hard drive settings are displayed, select the correct entry (Primary Master, Primary Slave, Secondary Master or Secondary Slave or their equivalents) to set the parameters for the Maxtor hard drive.

If the SETUP program provides an "AUTO DETECT" capability, use this feature to detect the Maxtor hard drive. If the SETUP program does not have AUTO DETECT, set the drive parameters as defined in step 2. Typically, this feature is available for each individual IDE device. It may be necessary to exit the BIOS, re-boot the system and re-enter the BIOS before the AUTO DETECT operation will take effect.

**IMPORTANT** After the SETUP program has detected the hard drive, verify that the Logical Block Addressing (LBA) mode is enabled for the drive - as not all BIOS versions set this feature during the AUTO DETECT process.

**Comment:** When LBA is enabled, some BIOS programs (typically Award) will change the values of the cylinders and heads by dividing the cylinders by 2, 4, 8 or 16 and multiplying the heads by the same value. This operation will not change the capacity of the hard drive.

If the system correctly detects the drive and does not hang during the boot process, proceed to Section 8. If the system hangs during the POST, proceed to Section 9. If Auto Detect did not find the drive and no error message was presented, proceed to step 2 below.



- 2 Enter the BIOS menu where the hard drive definitions are displayed and select the appropriate entry (Primary Master, Primary Slave, Secondary Master or Secondary Slave – or their equivalents) for the Maxtor hard drive. If the SETUP program does not provide an AUTO DETECT capability, the drive parameters must be set using the User Definable Type (UDT).

Set the Cylinder, Head and Sector values with the values listed on the drive label. The drive label is located on the top cover of the drive. The fields LZone (Landing Zone) and WPcom (Write Pre-comp) are not used by the Maxtor hard drive. These fields may be set to 0 or by the values assigned by the BIOS.

**Note:** Each BIOS manufacturer uses different methods of identifying the UDT. Newer BIOS' from all manufacturer's will usually include an entry called "User" or "User 1." Older BIOS' vary in the method used to identify the UDT. Following are examples of BIOS UDT: AMI = Type 47, Award = Type 47 and Phoenix = Type 48

Only the cylinder, head and sector values printed on the drive label must be entered. All other values may be zero (0). Set the LBA mode to enabled for this drive. Refer to the system user's manual or contact the system manufacturer for information on enabling LBA.

If the SETUP program does not provide the UDT, set the BIOS to the drive type with the largest capacity of those listed in the BIOS.

- c After the drive parameters are entered, follow the SETUP program procedures to save the settings and exit the SETUP program. After changing BIOS settings, saving the values and exiting, the SETUP program should force the system to re-boot.

If you are not sure how the UDT is defined in the BIOS, refer to the computer user's manual or contact the system manufacturer.

## 8 Hard Drive Preparation

To finish the installation, the drive must be partitioned and formatted. Hard drive partitioning and formatting may be done with the operating system software or with MaxBlast installation software. Select A or B below to complete the preparation of the Maxtor hard drive.

**NOTE:** Drive letter assignment is controlled by the operating system and not by the BIOS or MaxBlast. The operating system assigns drive letters to all devices as follows: (1) to all hard drives and their partitions; (2) to all other devices like CD-ROM's and tape drives. When adding an additional hard drive to the system, the drive letters will be automatically changed by the operating system.

- A Preparing the hard drive using the operating system software.

**IMPORTANT** Due to operating system limitations, DOS operating systems cannot access the full capacity of drives larger than 8.4 GB. The Windows 95 full installation, not an upgrade from DOS, operating system or equivalent is required to obtain the full capacity of any drive larger than 8.4 GB.

If the system or interface card correctly supports the Maxtor hard drive, the drive may be partitioned and formatted using the operating system software. If the cylinder limitation jumper (J46) is installed or the BIOS does not support the hard drive, the MaxBlast installation software (option B below) **must** be used to prepare the hard drive.

**NOTE:** All versions of DOS, PC-DOS, DR-DOS and Windows 95A (FAT 16 support) have a partition size limitation of 2.1 GB. For drives larger than 2.1 GB, the drive must be divided into partitions that do not exceed the 2.1 GB limitation. Windows 95B (OSR2) does not have this limitation. Windows NT, OS2, UNIX, LINUX and Novell NetWare may have different limitations but please refer to their documentation or contact the manufacturer to verify their support or limitations.

For detailed operating system installation assistance, refer to the system manufacturers user's manual, the operating system user's manual or contact the manufacturer directly.

- B Preparing the hard drive using MaxBlast installation software.

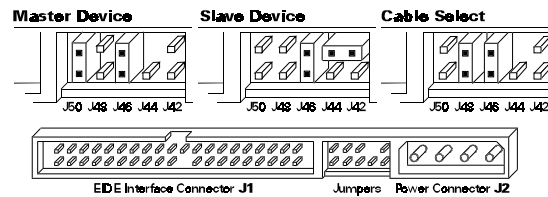
- 1 Boot the system with the bootable MaxBlast software installation diskette.
- 2 The MaxBlast installation software will load and the first screen of the program will display. Follow the on-screen prompts to complete the hard drive installation.

## 9 System Hangs During Boot

If the system hangs during the boot process after installing the Maxtor hard drive – either before or after setting the system BIOS – the system may have a BIOS with a cylinder limitation. This may occur for hard drives that exceed 2.1 GB. If this happens, do the following:

- 1 Turn the system OFF.
- 2 Install the cylinder limitation jumper (**J46**) on the drive. The figure below shows the Maxtor hard drive configured as a Master or Slave device with the cylinder limitation jumper installed.

**IMPORTANT:** When the Cylinder Limitation jumper (J46) is installed, the Maxtor hard drive must be prepared using MaxBlast installation software.



### **Rear View of Maxtor Hard Drive**

*Master, Slave and Cable Select Settings with Cylinder Limitation Enabled*

- 3 If the BIOS was set to AUTO DETECT, follow the instructions in Section 7 to prepare the hard drive using the MaxBlast installation software.

If other BIOS settings were used, access the system BIOS SETUP program and set the parameters to a **User Definable Type** with 4,092 cylinders, 16 heads and 63 sectors per track for the Maxtor hard drive. Then follow the instructions for setting the BIOS in Section 7 then Section 8 to prepare the hard drive with MaxBlast software.

## How to Obtain MaxBlast Software

If a MaxBlast software installation diskette was not included with the hard drive, the MaxBlast software may be downloaded from Maxtor's Internet home page at <http://www.maxtor.com>. MaxBlast must be downloaded to a hard drive.

The instructions for creating the MaxBlast bootable diskette are available for viewing and printing from the MaxBlast download page.