

P/2 DA4xi

Four Output VGA Distribution Amplifier



FEATURES

- Input: One female 15-pin HD connector
- Output: Four female 15-pin HD connectors
- 300 MHz (-3 dB) RGB video bandwidth, fully loaded
- Compatible with VGA–QXGA resolutions
- Drives outputs up to 250 feet (75 meters)
- Video gain switch
- Internal international power supply
- Rack and under-desk mountable
- 1U, half rack width 6" deep metal enclosure

DESCRIPTION

The Extron **P/2 DA4xi** is a one input VGA distribution amplifier that splits a signal and distributes it to four separate outputs. With 300 MHz (-3dB) RGB video bandwidth, fully loaded, the P/2 DA4xi is compatible with VGA-QXGA graphic cards, projectors and flat panel displays. Each output is individually buffered and amplified to help maintain the original signal integrity and eliminate noise interference. The P/2 DA4xi also includes a video gain switch which boosts the signal for long cable runs.

Minimum / Maximum levels...	0.3 V to 1.5 Vp-p (follows input)
Impedance	75 ohms
Return loss	<-40 dB @ 5 MHz
DC offset	±5 mV with input at 0 offset

SYNC

Input type	RGBHV, RGBS, RGsB, RsGsBs; bi-level and tri-level sync
Output type	RGBHV, RGBS, RGsB, RsGsBs; bi-level and tri-level sync (follows input)
Input level	1.8 V to 5.0 Vp-p
Output level	TTL: 5.0 Vp-p, unterminated
Input impedance	510 ohms
Output impedance	50 ohms
Max. propagation delay	60 ns
Max. Rise / Fall time	2 ns
Polarity	Positive or negative (follows input)

GENERAL

Power	100 VAC to 240 VAC, 50/60 Hz, 12 watts, internal, universal
Temperature / Humidity	Storage: -40 to +158 °F (-40 to +70 °C) / 10% to 90%, noncondensing Operating: +32 to +122 °F (0 to +50 °C) / 10% to 90%, noncondensing
Rack mount	Yes, with optional 1U, 9.5" deep rack shelf, part #60-190-01 (RSU 129) or 60-604-01 (RSB 129); or 1U, 6" deep rack shelf, part #60-190-10 (RSU 126) or 60-604-10 (RSB 126) Also furniture mountable with optional under-desk mounting kit, part #70-077-01 (MBU 125); or through-desk mounting kit, part #70-077-02 (MBD 129)

Enclosure type	Metal
Enclosure dimensions	1.6" H x 8.7" W x 6.0" D (1U high, half rack wide) 4.1 cm H x 22.1 cm W x 15.2 cm D (Depth excludes connectors.)
Product weight	2.0 lbs (0.9 kg)
Shipping weight	4 lbs (2 kg)
Vibration	ISTA 1A in carton (International Safe Transit Association)
Listings	UL, CUL
Compliances	CE, FCC Class A, VCCI, AS/NZS, ICES
MTBF	30,000 hours
Warranty	3 years parts and labor

NOTE: All nominal levels are at ±10%. Specifications are subject to change without notice.

SPECIFICATIONS

VIDEO

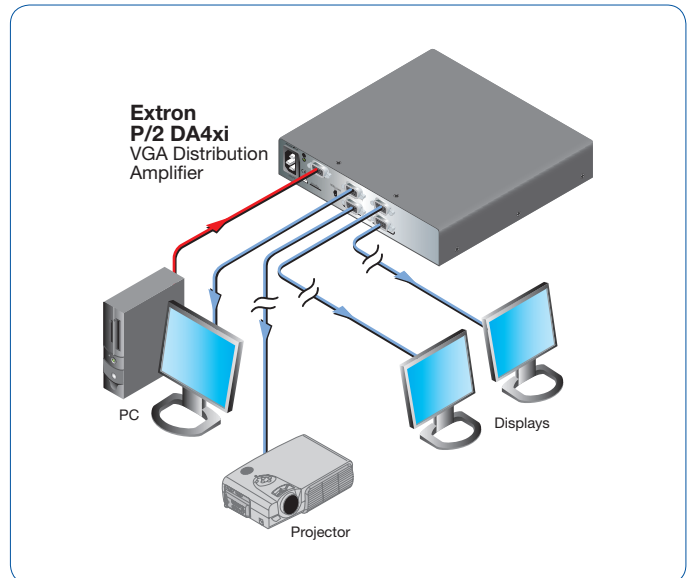
Gain	0 dB or +3 dB (when input is 0.7 Vp-p, output is 0.7 V or 1.0 V), switchable
Bandwidth	300 MHz (-3 dB), fully loaded

VIDEO INPUT

Number / Signal type	1 VGA-UXGA RGBHV, RGBS, RGsB, RsGsBs, HDTV component video, S-video, composite video
Connectors	(1) 15-pin HD female (optional Mac/VGA adapters are available)
Nominal level	1.0 Vp-p for Y of component video and S-video, and for composite video 0.7 Vp-p for RGB and for R-Y and B-Y of component video 0.3 Vp-p for C of S-video
Minimum / Maximum levels...	Analog: 0.3 V to 1.5 Vp-p with no offset at unity gain
Impedance	75 ohms
Horizontal frequency	15 kHz to 135 kHz
Vertical frequency	30 Hz to 150 Hz
Return loss	<-40 dB @ 5 MHz
Input coupling	DC

VIDEO OUTPUT

Number / Signal type	4 VGA-QXGA RGBHV, RGBS, RGsB, RsGsBs, HDTV component video, S-video, composite video (follows input type)
Connectors	(4) 15-pin HD female
Nominal level	1.0 Vp-p for Y of component video and S-video, and for composite video 0.7 Vp-p for RGB and for R-Y and B-Y of component video 0.3 Vp-p for C of S-video



MODEL

P/2 DA4xi	1x4 VGA-QXGA	60-246-03
-----------	--------------------	-----------

OPTIONAL ACCESSORIES

MODEL DESCRIPTION	PAGE	PART #
1U 9.5" Deep Universal Rack Shelf	page 819	60-190-01
1U 9.5" Deep Basic Rack Shelf	page 819	60-604-01
1U, 1/2 & 1/4 Rack Width, Under-Desk Mount Kit for Two-Piece Enclosure.....	page 815	70-077-01

Europe
+31.33.453.4040 / +800.3987.6673
+31.33.453.4050 FAX

Dubai
+971.4.2991800
+971.4.2991880 FAX

Asia
+65.6383.4400 / +800.7339.8766
+65.6383.4664 FAX

China
+86.21.3760.1568 / +400.883.1568
+86.21.3760.1566 FAX

Japan
+81.3.3511.7655
+81.3.3511.7656 FAX