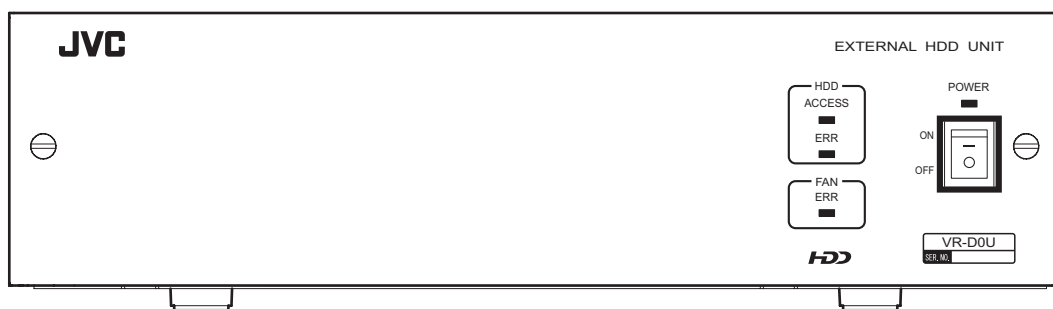




## External HDD Unit

# VR-D0U

INSTRUCTIONS  
BEDIENUNGSANLEITUNG  
INSTRUCTIONS  
INSTRUCCIONES  
ISTRUZIONI



**Please read the following before getting started:**

Thank you for purchasing this JVC product.  
Before operating this unit, please read the instructions carefully to ensure the best possible performance.

**For Customer Use:**

Enter below the Serial No. which is located on the body.

Retain this information for future reference.

Model No. VR-D0U

Serial No. \_\_\_\_\_

## IMPORTANT SAFEGUARDS

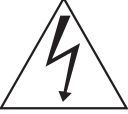

---

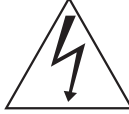

1. Read all of these instructions.
2. Save these instructions for later use.
3. All warnings on the product and in the operating instructions should be adhered to.
4. Unplug this appliance system from the wall outlet before cleaning. Do not use liquid cleaners or aerosol cleaners. Use a damp cloth for cleaning.
5. Do not use attachments not recommended by the appliance manufacturer as they may cause hazards.
6. Do not use this appliance near water - for example, near a bathtub, washbowl, kitchen sink, or laundry tub, in a wet basement, or near a swimming pool, etc.
7. Do not place this appliance on an unstable cart, stand, or table. The appliance may fall, causing serious injury to a child or adult, and serious damage to the appliance. Use only with a cart or stand recommended by the manufacturer, or sold with the appliance. Wall or shelf mounting should follow the manufacturer's instructions, and should use a mounting kit approved by the manufacturer. An appliance and cart combination should be moved with care. Quick stops, excessive force, and uneven surfaces may cause the appliance and cart combination to overturn.
8. Slots and openings in the cabinet and the back or bottom are provided for ventilation, and to insure reliable operation of the appliance and to protect it from overheating, these openings must not be blocked or covered. The openings should never be blocked by placing the appliance on a bed, sofa, rug, or other similar surface. This appliance should never be placed near or over a radiator or heat register. This appliance should not be placed in a built-in installation such as a bookcase unless proper ventilation is provided.
9. This appliance should be operated only from the type of power source indicated on the marking label. If you are not sure of the type of power supplied to your home, consult your dealer or local power company. For appliance designed to operate from battery power, refer to the operating instructions.
10. This appliance system is equipped with a 3-wire grounding type plug (a plug having a third (grounding pin). This plug will only fit into a grounding-type power outlet. This is a safety feature. If you are unable to insert the plug into the outlet, contact your electrician to replace your obsolete outlet. Do not defeat the safety purpose of the grounding plug.
11. For added protection for this product during a lightning storm, or when it is left unattended and unused for long periods of time, unplug it from the wall outlet and disconnect the antenna or cable system. This will prevent damage to the product due to lightning and power-line surges.
12. Do not allow anything to rest on the power cord. Do not locate this appliance where the cord will be abused by persons walking on it.
13. Follow all warnings and instructions marked on the appliance.
14. Do not overload wall outlets and extension cords as this can result in fire or electric shock.
15. Never push objects of any kind into this appliance through cabinet slots as they may touch dangerous voltage points or short out parts that could result in a fire or electric shock. Never spill liquid of any kind on the appliance.
16. Do not attempt to service this appliance yourself as opening or removing covers may expose you to dangerous voltage or other hazards. Refer all servicing to qualified service personnel.
17. Unplug this appliance from the wall outlet and refer servicing to qualified service personnel under the following conditions:
  - a. When the power cord or plug is damaged or frayed.
  - b. If liquid has been spilled into the appliance.
  - c. If the appliance has been exposed to rain or water.
  - d. If the appliance does not operate normally by following the operating instructions. Adjust only those controls that are covered by the operating instructions as improper adjustment of other controls may result in damage and will often require extensive work by a qualified technician to restore the appliance to normal operation.
  - e. If the appliance has been dropped or the cabinet has been damaged.
  - f. When the appliance exhibits a distinct change in performance - this indicates a need for service.
18. When replacement parts are required, be sure the service technician has used replacement parts specified by the manufacturer that have the same characteristics as the original part. Unauthorized substitutions may result in fire, electric shock, or other hazards.
19. Upon completion of any service or repairs to this appliance, ask the service technician to perform routine safety checks to determine that the appliance is in safe operating condition.

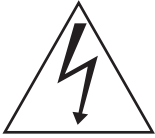
PORTABLE CART WARNING  
(symbol provided by RETAC)



**SAFETY PRECAUTIONS (for USA & Canada)**

	<b>CAUTION</b> RISK OF ELECTRIC SHOCK DO NOT OPEN	
<p>CAUTION: TO REDUCE THE RISK OF ELECTRIC SHOCK, DO NOT REMOVE COVER (OR BACK). NO USER-SERVICEABLE PARTS INSIDE. REFER SERVICING TO QUALIFIED SERVICE PERSONNEL</p>		

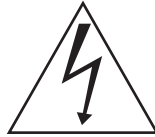
	<b>ATTENTION</b> RISQUE D'ELECTROCUTION NE PAS OUVRIR	
<p>ATTENTION: POUR EVITER TOUT RISQUE D'ELECTROCUTION NE PAS OUVRIR LE BOITER. AUCUNE PIECE INTERIEURE N'EST A REGLER PAR L'UTILISATEUR. SE REFERER A UN AGENT QUALIFIE EN CAS DE PROBLEME.</p>		



The lightning flash with arrowhead symbol, within an equilateral triangle, is intended to alert the user to the presence of uninsulated "dangerous voltage" within the product's enclosure that may be of sufficient magnitude to constitute a risk of electric shock to persons.



The exclamation point within an equilateral triangle is intended to alert the user to the presence of important operating and maintenance (servicing) instructions in the literature accompanying the appliance.



Le symbole de l'éclair à l'intérieur d'un triangle équilatéral est destiné à alerter l'utilisateur sur la présence d'une "tension dangereuse" non isolée dans le boîtier du produit. Cette tension est suffisante pour provoquer l'électrocution de personnes.



Le point d'exclamation à l'intérieur d'un triangle équilatéral est destiné à alerter l'utilisateur sur la présence d'opérations d'entretien importantes au sujet desquelles des renseignements se trouvent dans le manuel d'instructions.

\* Ces symboles ne sont utilisés qu'aux Etats-Unis.

**WARNING:**  
**TO REDUCE THE RISK OF FIRE OR ELECTRIC SHOCK, DO NOT EXPOSE THIS APPLIANCE TO RAIN OR MOISTURE.**  
 This unit should be used with 120 V to 240 V AC only.  
**CAUTION:**  
**To prevent electric shocks and fire hazards, DO NOT use any other power source.**

**AVERTISSEMENT:**  
**POUR EVITER LES RISQUES D'INCENDIE OU D'ELECTROCUTION, NE PAS EXPOSER L'APPAREIL A L'HUMIDITE OU A LA PLUIE.**  
 Ce magnétoscope ne doit être utilisé que sur du courant alternatif en 120 V à 240 V.  
**ATTENTION:**  
**Afin d'éviter tout resque d'incendie ou d'électrocution, ne pas utiliser d'autres sources d'alimentation électrique.**

**NOTE:**  
 The rating plate (serial number plate) is on the rear of the unit.

**REMARQUE:**  
 La plaque d'identification (numéro de série) se trouve sur le panneau arrière de l'appareil.

**INFORMATION:**  
 This equipment has been tested and found to comply with the limits for a Class A digital device, pursuant to Part 15 of the FCC Rules. These limits are designed to provide reasonable protection against harmful interference when the equipment is operated in a commercial environment.  
 This equipment generates, uses, and can radiate radio frequency energy and, if not installed and used in accordance with the instruction manual, may cause harmful interference to radio communications.  
 Operation of this equipment in a residential area is likely to cause harmful interference in which case the user will be required to correct the interference at his own expense.  
**CAUTION:**  
 CHANGES OR MODIFICATIONS NOT APPROVED BY JVC COULD VOID USER'S AUTHORITY TO OPERATE THE EQUIPMENT.  
**NOTE:**  
 The rating plate (serial number plate) is on this unit.  
**WARNING:**  
 TO REDUCE THE RISK OF FIRE OR ELECTRIC SHOCK, DO NOT EXPOSE THIS APPLIANCE TO RAIN OR MOISTURE.

**INFORMATION (FOR CANADA)**  
**RENSEIGNEMENT (POUR CANADA)**

**This Class A digital apparatus complies with Canadian ICES-003.**

**Cet appareil numérique de la Classe A est conforme à la norme NMB-003 du Canada.**

THIS DEVICE COMPLIES WITH PART 15 OF THE FCC RULES. OPERATION IS SUBJECT TO THE FOLLOWING TWO CONDITIONS: (1) THIS DEVICE MAY NOT CAUSE HARMFUL INTERFERENCE, AND (2) THIS DEVICE MUST ACCEPT ANY INTERFERENCE RECEIVED, INCLUDING INTERFERENCE THAT MAY CAUSE UNDESIRED OPERATION.

# SAFETY PRECAUTIONS

## IMPORTANT (In the United Kingdom) Mains Supply (AC 230 V) WARNING - THIS APPARATUS MUST BE EARTHED

The wires in this mains lead are coloured in accordance with the following code;

GREEN-and-YELLOW : EARTH

BLUE : NEUTRAL

BROWN : LIVE

As the colours of the wires in the mains lead of this apparatus may not correspond with the coloured markings identifying the terminals in your plug, proceed as follows.

The wire which is coloured GREEN-AND-YELLOW must be connected to the terminal in the plug which is marked with the letter E or by the safety earth symbol or coloured GREEN or GREEN-AND-YELLOW.

The wire which is coloured BLUE must be connected to the terminal which is marked with the letter N or which is coloured BLACK. The wire which is coloured BROWN must be connected to the terminal which is marked with the letter L or coloured RED.

## POWER SYSTEM

### Connection to the mains supply

This unit operates on voltage of 120 V to 240 V AC, 50 Hz/60 Hz.

### WARNING:

**TO REDUCE THE RISK OF FIRE OR ELECTRIC SHOCK, DO NOT EXPOSE THIS APPLIANCE TO RAIN OR MOISTURE.**

### CAUTION

To prevent electric shock, do not open the cabinet. No user serviceable parts inside. Refer servicing to qualified service personnel.

### Note:

The rating plate and the safety caution are on the rear and top of the unit.

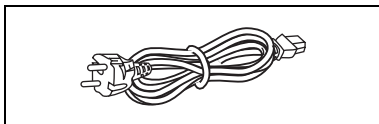
## Caution for AC Power Cord

**FOR YOUR SAFETY PLEASE READ THE FOLLOWING TEXT CAREFULLY.**

Appropriate AC Power Cord must be used in each local area.

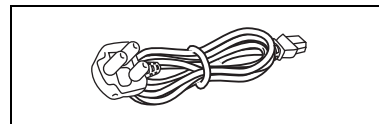
### FOR CONTINENTAL EUROPE, ETC.

Not to be used in the U.K.



### FOR U.K. ONLY

If the plug supplied is not suitable for your socket outlet, it should be cut off and appropriate one fitted.



## SAFETY PRECAUTIONS

### WARNING

It should be noted that it may be unlawful to re-record pre-recorded tapes, records, or discs without the consent of the owner of copyright in the sound or video recording, broadcast, or cable programme and in any literary, dramatic, musical or artistic work embodied therein.

### WARNING

This is a Class A product. In a domestic environment this product may cause radio interference in which case the user may be required to take adequate measures.

### CAUTION

RED colour indications on the operation panel are provided but they are not safety related, RED colour indications:

- (1) HDD error indicator
- (2) FAN error indicator

### WARNING

For PLUGGABLE EQUIPMENT, the socket outlet shall be installed near the equipment and shall be easily accessible.

## Information for Users on Disposal of Old Equipment



### [European Union]

This symbol indicates that the electrical and electronic equipment should not be disposed as general household waste at its end-of-life. Instead, the product should be handed over to the applicable collection point for the recycling of electrical and electronic equipment for proper treatment, recovery and recycling in accordance with your national legislation.

By disposing of this product correctly, you will help to conserve natural resources and will help prevent potential negative effects on the environment and human health which could otherwise be caused by inappropriate waste handling of this product. For more information about collection point and recycling of this product, please contact your local municipal office, your household waste disposal service or the shop where you purchased the product.

Penalties may be applicable for incorrect disposal of this waste, in accordance with national legislation.

### Attention:

This symbol is only valid in the European Union.

### (Business users)

If you wish to dispose of this product, please visit our web page [www.jvc-europe.com](http://www.jvc-europe.com) to obtain information about the take-back of the product.

### [Other Countries outside the European Union]

If you wish to dispose of this product, please do so in accordance with applicable national legislation or other rules in your country for the treatment of old electrical and electronic equipment.

### Dear Customer,

This apparatus is in conformance with the valid European directives and standards regarding electromagnetic compatibility and electrical safety.

European representatives of Victor Company of Japan Limited is:  
JVC Technology Centre Europe GmbH  
P.O. Box 10 05 52  
61145 Friedberg  
Germany

### Main Features

#### This is an HDD External Unit for Digital Video Recorders manufactured by JVC

This HDD unit can be connected to the following DVR (Digital Video Recorders).

VR-509E

VR-N900U (scheduled for release December 2006)

\* These units cannot be connected to any DVR or PC manufactured by any other company.

\* When the VR-509E is connected to the VR-D0U, you may need a software update version for the DVR.

For more details, please contact the dealer where you purchased the unit or your nearest JVC dealer.

### Contents

#### Getting Started

Contents .....	E-2
PRECAUTIONS .....	E-3
Part Names and Functions .....	E-4

#### Preparation

Attaching to the Rack .....	E-5
Connecting the Digital Video Recorder .....	E-5

#### Others

Specifications .....	E-6
----------------------	-----

#### How to Read this Manual

- In the subsequent sections of this manual, this equipment shall be referred to as VR-D0U.
- The names of buttons used during operation are enclosed in [ ].

Example: MENU button → [MENU]

- \* All product names stated in this manual are trademarks or registered trademarks of their respective companies. Marks such as ™, ® and © are omitted in this manual.

# PRECAUTIONS

## ■ Place of storage and use

Please avoid storing or using this unit in the following places:

- Extremely hot or cold places beyond the allowable temperature for operation (5°C - 40°C).
- Humid or dry places beyond the allowable humidity range for operation (30% - 80% RH).
- Dusty or sandy places.
- Places exposed to oil, smoke or steam, such as the kitchen vicinity.
- Vibrating or unstable places.
- Places prone to condensation.
- Places that generates strong magnetic fields, e.g., transformer or motor.
- Places near devices that generate electric waves, e.g., transceiver or mobile phone.
- Places that generate radiation, X-rays or corrosive gases.

## ■ Handling the unit

- Please do not place heavy objects on this unit, like a monitor or TV. Also, do not stack the VR-D0U units on top of each other.
- Please do not block the ventilation openings.
- Avoid violent shocks to the unit. Do not drop the unit.

## ■ Maintaining the unit (Please turn off the power before performing maintenance work.)

Please wipe the unit with a soft cloth. Do not wipe it with thinner or benzene lest the surface melts or becomes dull. For stubborn stains, wipe first with a water-diluted neutral detergent and then wipe dry.

## ■ Please use the supplied power cord. Using a different type or damaged cord may cause fire or electric shock.

## ■ To save energy, be sure to turn off the system when not in use.

## ■ Do not use the power cord supplied with this equipment on other devices.

## ■ Do not stack up the equipment to prevent temperature within from rising.

## ■ Do not insert foreign object into this unit as this may cause malfunction or electric shock.

## Hard Disk Drive

The distance between the head and disk that read and write data on the hard disk drive (hereinafter known as the HDD) is a miniscule 0.02µm. Vibrations and physical shocks to the HDD may therefore result in the head coming into contact with the disk, producing dents and scratches to its surface. This will consequently prevent data from being read, and will result in disk crashes if use is continued. It is therefore necessary to handle the recorder with great care.

■ The HDD is a consumable item. Replacement is recommended after 10000 hours of use (if use in a 25°C environment). For information on maintenance planning and costs, consult your nearest JVC dealer.

■ It is recommended that an UPS (Uninterruptible Power Supply) is used when installing additional external hard disk drives to make sure the system remains stable.

■ If a power failure occurs during formatting of HDD, disconnection, or when configuring or disabling mirroring, operation of the equipment may be disabled even if it is connected to the UPS.

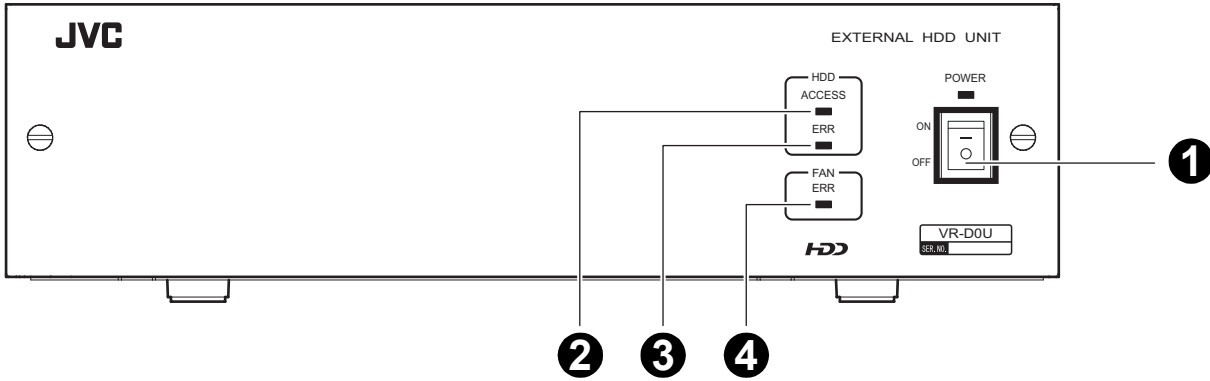
■ Please note that we will not provide compensation for any failure during recording or playback due to defects in this equipment or the HDD.

■ Please note that recorded images will be erased when replacing hard disks. Note that there are cases where recorded images may be erased when software is upgraded.

■ This equipment will automatically reset when minor data writing errors occur with the HDD or other device in this equipment's system.

# Part Names and Functions

## Front View



### 1 [POWER] switch

Turns the power on and off. The POWER display lights green after the power is switched on.

### 2 [HDD ACCESS] display

Lights green while the HDD is being accessed. Never switch off the power while this display is lit.

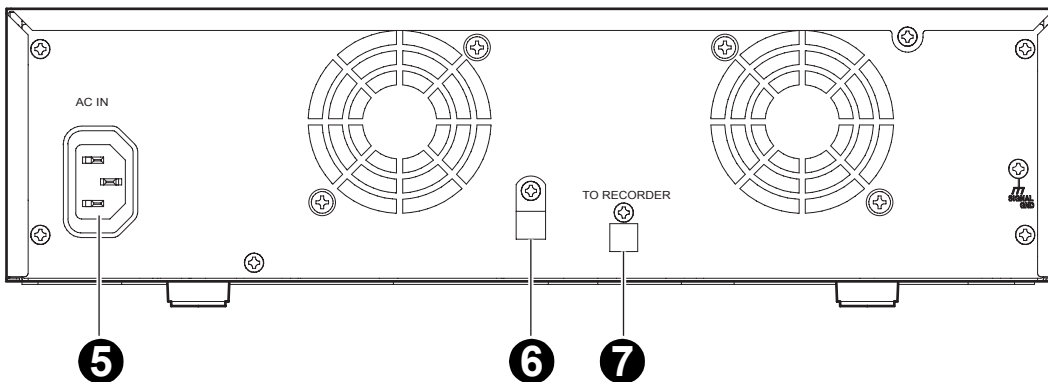
### 3 [HDD ERR] display

Lights red if the HDD malfunctions. If this display lights contact the vendor where you purchased the unit or a JVC service representative for repairs.

### 4 [FAN ERR] display

Lights if the fan motor inside the unit malfunctions. If this display lights contact the vendor where you purchased the unit or a JVC service representative for repairs.

## Rear View



### 5 [AC IN] Power input terminal

The connection point for the AC 120 V - 240 V power cord provided with the unit.

### 6 Cable clamp

Prevents the connection cable from disconnecting.  
📖 Page E-5

### 7 [TO RECORDER] (DVR connection terminal)

The connection point for the provided cable and the DVR. You must use the special cable provided for the connection.

📖 Page E-5

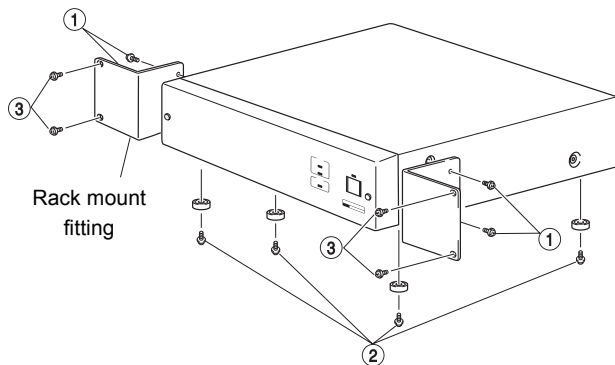


## Preparation

### Attaching to the Rack

Use the rack mount fittings provided to attach the unit to the EIA rack.

When installing this unit in the EIA rack, contact your nearest JVC dealer.



#### 1. Remove the unit side screws.

Remove the front panel side screws (×4).

#### 2. Attach the rack mount fittings.

Use the four screws (M4 × 10 mm) at ① to fasten both sides of the unit.

#### 3. Remove the feet (×4) from the bottom of the unit.

Loosen the fastening screws ② and remove them.

#### 4. Attach the unit to the rack.

Use the provided four screws (M5 × 11 mm) at ③ to fasten.

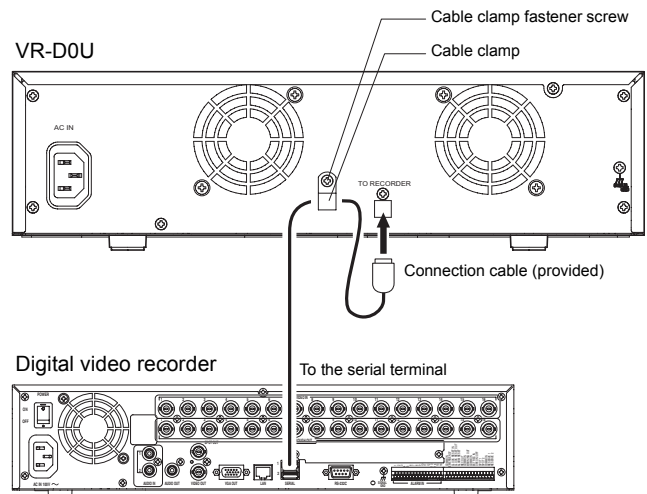
### Caution

- Never place anything on top of a unit with a rack mount attached. This is to prevent unbalancing the rack, tipping it over, falling, and damaging the unit.
- When installing two or more units in a rack, leave space between the units about the size of one unit.

### Connecting the Digital Video Recorder

Before connecting the DVR and this unit, make sure that both are switched off.

For more details about the settings and operation of the DVR to be connected to this unit, please refer to the DVR operating instructions.



#### 1. Connect this unit and DVR.

Use the provided cable to make the connection.

#### 2. Fasten the connection cable.

Be sure to fasten the cable clamp (this prevents cable disconnection).

- ① Loosen the fastener screw of the cable clamp, then remove the cable clamp.
- ② Pass the connection cable through the cable clamp then fasten it to the unit.

#### 3. Connect the power cord.

Connect the power cord plug to an AC 120 V - 240 V power outlet.

#### 4. Switch this unit on.

#### 5. Switch the DVR on.

#### 6. Do the settings for the DVR.

Do the settings by following the procedures in the DVR operating instructions.

### Note

- Never switch off the unit while the HDD ACCESS display is lit.
- Always make sure that the DVR is switched off before you switch on this power.
- Always power off the DVR before you switch off this unit. (The HDD ACCESS display may stay lit for about 30 seconds after the DVR has been turned off. You may turn off the power to the equipment because communication has ended.)

# Specifications

■ General

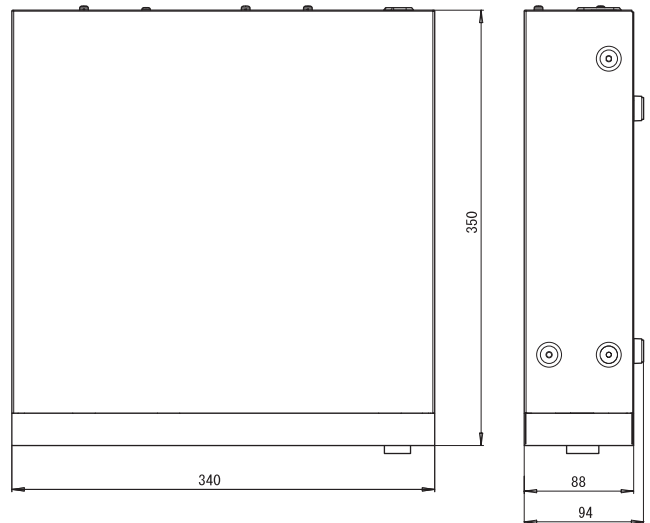
HDD Capacity	500 GB	1 TB	2 TB
Power Supply	AC 120 V - 240 V, 50 Hz/60 Hz		
Allowed Operation Temperature Range	5°C to 40°C		
Allowed Storage Temperature Range	-20°C to 60°C		
Allowed Operation Humidity Range	30% to 80%		
Weight	6.0 kg (13.2 lb)	7.5 kg (16.5 lb)	8.0 kg (17.6 lb)
Power Consumption	0.7 A (0.5 A)	0.7 A	0.7 A

■ Accessories

Instructions	1
Power cord (For continental Europe, etc.: 2.5 m)	2
Power cord (For U.K. only: 2 m)	1
Connection cable (1 m)	1
Rack mount fitting	2
Rack mount fitting fastener screws (M4 × 10 mm)	4
Rack mount screws (M5 × 11 mm)	4
Installation Date Label	3

■ External Dimensions (Units: mm)

340 × 88 × 350 mm (W × H × D)



\* Specifications and appearance of this unit are subject to change for improvement without prior notice.

## Consumable Parts

The table below is a list of the consumable parts. The parts fee that accompanies these replacement and repair costs includes technical and official trip fees that are charged even during the guarantee period.

Part name	Remarks
Hard Disk Drive (HDD)	The exchange period will expire after 10,000 hours of use (approx. one year) from the beginning date of use.
Fan Unit	The exchange period will expire after 30,000 hours of use (approx. three years) from the beginning date of use.

In order to support exchange and maintenance of consumable supplies, use the attached Installation date label. Enter the beginning date of use on the Installation date label and attach it to this equipment.

## SICHERHEITSVORKEHRUNGEN

### SPANNUNGSVERSORGUNG

#### Anschluss am Netz

Die Betriebsspannung für dieses Gerät beträgt AC120 V bis 240 V, 50 Hz/60 Hz

### ACHTUNG:

**UM DER GEFAHR VON BRÄNDEN UND ELEKTRISCHEN SCHLÄGEN VORZUBEUGEN, DARF DIESES GERÄT WEDER DEM REGEN NOCH HOHER FEUCHTIGKEIT AUSGESETZT WERDEN.**

### ACHTUNG

Um elektrische Schläge zu vermeiden, das Gehäuse nie öffnen. Im Innern befinden sich keine Teile, die vom Benutzer gewartet werden können. Überlassen Sie die Wartung qualifiziertem Service-Personal.

### WARNUNG

Bei dem Gerät handelt es sich um ein Klasse-A-Produkt. In Haushaltsumgebungen kann ein solches Produkt Funkstörungen verursachen. In einem solchen Fall muss der Benutzer geeignete Maßnahmen ergreifen.

Sehr geehrter Kunde, sehr geehrte Kundin, dieses Gerät stimmt mit den gültigen europäischen Richtlinien und Normen bezüglich elektromagnetischer Verträglichkeit und elektrischer Sicherheit überein.

Die europäische Vertretung für die Victor Company of Japan, Limited ist:  
JVC Technology Centre Europe GmbH  
Postfach 10 05 52  
61145 Friedberg  
Deutschland

## Benutzerinformationen zur Entsorgung alter Geräte



### [Europäische Union]

Dieses Symbol zeigt an, dass das elektrische bzw. elektronische Gerät nicht als normaler Haushaltsabfall entsorgt werden soll. Stattdessen sollte das Produkt zur fachgerechten Entsorgung, Weiterverwendung und Wiederverwertung in Übereinstimmung mit der Landesgesetzgebung einer entsprechenden Sammelstelle für das Recycling elektrischer und elektronischer Geräte zugeführt werden.

Die korrekte Entsorgung dieses Produkts dient dem Umweltschutz und verhindert mögliche Schäden für die Umwelt und die menschliche Gesundheit, welche durch unsachgemäße Behandlung des Produkts auftreten können. Weitere Informationen zu Sammelstellen und dem Recycling dieses Produkts erhalten Sie bei Ihrer Gemeindeverwaltung, Ihrem örtlichen Entsorgungsunternehmen oder in dem Geschäft, in dem Sie das Produkt gekauft haben.

Für die nicht fachgerechte Entsorgung dieses Abfalls können gemäß der Landesgesetzgebung Strafen ausgesprochen werden.

### (Geschäftskunden)

Wenn Sie dieses Produkt entsorgen möchten, besuchen Sie bitte unsere Webseite [www.jvc-europe.com](http://www.jvc-europe.com), um Informationen zur Rücknahme des Produkts zu erhalten.

### [Andere Länder außerhalb der Europäischen Union]

Wenn Sie dieses Produkt entsorgen möchten, halten Sie sich dabei bitte an die entsprechenden Landesgesetze und andere Regelungen in Ihrem Land zur Behandlung elektrischer und elektronischer Geräte.

Erklärung zum Rauschen (für die Bundesrepublik Deutschland):  
Maschinenlärminformations-Verordnung 3. GPSGV, 06.01.2004: Der höchste Schalldruckpegel beträgt 70 dB(A) oder weniger gemäß EN ISO 7779

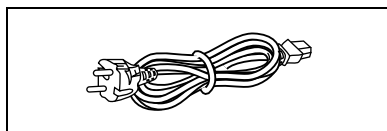
## Hinweis zum Netzanschlußkabel

**Zu Ihrer Sicherheit lesen Sie bitte das folgende sorgfältig.**

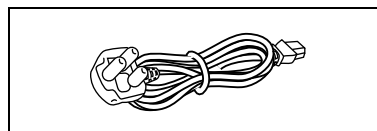
Verwenden Sie ausschließlich ein in Ihrem Land zulässiges Netzkabel.

### Für Kontinentaleuropa

Nicht für den Gebrauch in Großbritannien.



### Nur für Großbritannien



# Hauptmerkmale

**Dieses Gerät ist ein externes Festplattenlaufwerk für digitale Videorekorder, die von JVC hergestellt wurden.**

Dieses Festplattenlaufwerk kann an die folgenden digitalen Videorekorder (DVR) angeschlossen werden.

VR-509E

VR-N900U (geplante Markteinführung: Dezember 2006)

\* Diese Geräte können nicht an digitale Videorekorder oder PCs von anderen Firmen angeschlossen werden.

\* Wenn das Modell VR-509E an das Modell VR-D0U angeschlossen wird, müssen Sie die Software-Version des digitalen Videorekorders aktualisieren.

Weitere Einzelheiten erhalten Sie im Geschäft, in dem Sie Ihr Gerät gekauft haben, oder bei Ihrem nächsten JVC-Fachhändler.

# Inhalt

## Einleitung

Inhalt .....	G-2
VORSICHTSHINWEISE .....	G-3
Bezeichnungen und Funktionen der Teile .....	G-4

## Vorbereitung

Befestigung am Rack .....	G-5
Anschließen des digitalen Videorekorders .....	G-5

## Sonstiges

Technische Daten .....	G-6
------------------------	-----

## Wie diese Bedienungsanleitung zu lesen ist

- In den nachfolgenden Abschnitten dieser Bedienungsanleitung wird dieses Gerät als VR-D0U bezeichnet.
- Die Bezeichnungen der Tasten, die bei der Bedienung verwendet werden, sind in eckigen Klammern ([ ]) angeführt.

Beispiel: Menü-Taste → [MENU]

- \* Alle in der Bedienungsanleitung angeführten Produktnamen sind Warenzeichen oder eingetragene Warenzeichen der jeweiligen Firmen. Bezeichnungen wie™, ® und © werden in dieser Bedienungsanleitung ausgelassen.

# VORSICHTSHINWEISE

## ■ Aufbewahrungs- und Verwendungsorte

Vermeiden Sie die folgenden Orte, um das Gerät aufzubewahren oder zu verwenden:

- Besonders heiße oder kalte Orte, deren Temperatur außerhalb des zulässigen Temperaturbereichs von 5°C bis 40°C liegt.
- Feuchte oder trockene Orte, deren Luftfeuchtigkeit außerhalb des zulässigen Bereichs von 30% bis 80% relative Feuchte liegt.
- Staubige oder sandige Orte.
- Orte mit viel Öl, Rauch oder Dampf, beispielsweise die Umgebung einer Küche.
- Orte, die Erschütterungen ausgesetzt oder unstabil sind.
- Orte, an denen sich leicht Kondensation bilden kann.
- Orte, die starke Magnetfelder erzeugen, z. B. die Umgebung von Transformatoren oder Motoren.
- Orte in der Umgebung von Geräten, die starke Elektrowellen erzeugen, z. B. Transceiver oder Handys.
- Orte, die Strahlungen, Röntgenstrahlen oder korrosive Gase erzeugen.

## ■ Handhabung des Geräts

- Stellen Sie keine schweren Gegenstände, beispielsweise einen Bildschirm oder Fernseher, auf dieses Gerät. Stapeln Sie auch nicht mehrere VR-D0U-Modelle übereinander.
- Blockieren Sie nicht die Entlüftungsöffnungen.
- Setzen Sie das Gerät keinen starken Stößen aus. Lassen Sie das Gerät nicht fallen.

## ■ Wartung des Geräts (Schalten Sie die Stromversorgung aus, bevor Sie Wartungsarbeiten durchführen.)

Wischen Sie das Gerät mit einem weichen Tuch ab. Wischen Sie es nicht mit Verdünner oder Benzol ab, da anderenfalls die Gehäuseoberfläche beschädigt oder matt werden kann. Bei hartnäckigen Flecken wischen Sie das Gerät zuerst mit einem Tuch ab, das in einem neutralen Reinigungsmittel angefeuchtet wurde, und wischen Sie das Gerät dann trocken.

## ■ Bitte verwenden Sie das mitgelieferte Netzkabel. Bei Verwendung eines anderen bzw. eines beschädigten Netzkabels besteht Brand- oder Stromschlaggefahr.

## ■ Um Strom zu sparen, schalten Sie das Gerät aus, wenn Sie es nicht verwenden.

## ■ Verwenden Sie das Netzkabel dieses Geräts nicht für andere Geräte.

## ■ Stapeln Sie dieses Gerät nicht, damit im Geräteinneren kein Temperaturstau auftritt.

## ■ Führen Sie keine Fremdkörper in das Gerät ein, da anderenfalls die Gefahr einer Funktionsstörung bzw. eines Stromschlags besteht.

## Festplattenlaufwerk

Der Abstand zwischen dem Kopf und der Platte, die die Daten lesen und auf dem Festplattenlaufwerk (HDD) aufzeichnen, beträgt nur 0,02 µm. Erschütterungen und Stöße, denen das Festplattenlaufwerk ausgesetzt ist, können dazu führen, dass der Kopf mit der Platte in Berührung kommt, so dass auf ihrer Oberfläche Beulen oder Kratzer entstehen. Dies kann dazu führen, dass beim Lesen der Daten Probleme auftreten, so dass die Platte abstürzt, falls der Betrieb fortgesetzt wird. Daher sollten Sie beim Umgang mit dem Rekorder besonders vorsichtig sein.

■ Das Festplattenlaufwerk ist ein Verbrauchsteil. Wir empfehlen, das Festplattenlaufwerk nach jeweils 10 000 Betriebsstunden (in einer Umgebungstemperatur von 25°C) auszutauschen. Weitere Informationen zur Planung der Wartung und deren Kosten erhalten Sie bei Ihrem nächsten JVC-Fachhändler.

■ Wir empfehlen, eine unterbrechungsfreie Stromversorgung (USV) zu verwenden, wenn Sie zusätzliche externe Festplattenlaufwerke anschließen, damit die Anlage stabil bleibt.

■ Falls beim Formatieren des Festplattenlaufwerks, seiner Abtrennung oder Konfiguration bzw. der Deaktivierung des Plattenspiegelungsbetriebs ein Stromausfall auftritt, kann der Betrieb des Geräts beeinträchtigt werden, selbst wenn es an eine unterbrechungsfreie Stromversorgung angeschlossen ist.

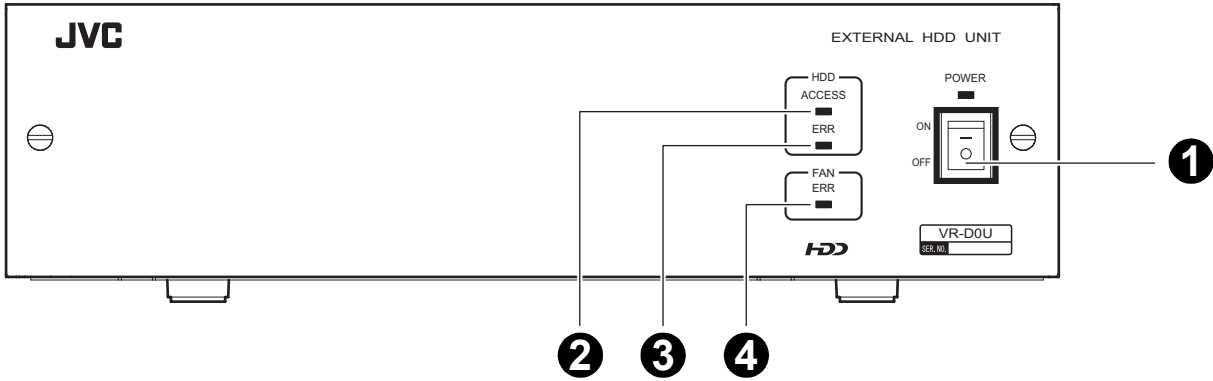
■ Beachten Sie bitte, dass wir keinen Schadenersatz für Geräteversagen während der Aufnahme oder Wiedergabe anbieten, die auf Defekte in diesem Gerät oder dem Festplattenlaufwerk zurückzuführen sind.

■ Beachten Sie bitte, dass die aufgezeichneten Bilder beim Austauschen von Festplatten gelöscht werden. Beachten Sie bitte, dass die aufgezeichneten Bilder u. U. auch beim Aktualisieren der Software gelöscht werden können.

■ Dieses Gerät führt automatisch eine Rücksetzung durch, wenn kleinere Datenschreibfehler auf der Festplatte oder anderen Geräten dieser Anlage auftreten.

# Bezeichnungen und Funktionen der Teile

## Frontansicht



### 1 Netzschalter [POWER]

Dient zum Ein- und Ausschalten des Geräts. Die Anzeige POWER leuchtet grün, nachdem das Gerät eingeschaltet wurde.

Falls diese Anzeige leuchtet, wenden Sie sich an das Geschäft, in dem Sie das Gerät erworben haben, oder eine JVC-Kundendienststelle, um das Gerät reparieren zu lassen.

### 2 Anzeige [HDD ACCESS]

Leuchtet grün, wenn ein Zugriff auf das Festplattenlaufwerk erfolgt. Schalten Sie das Gerät aus, während diese Anzeige leuchtet.

### 4 Anzeige [FAN ERROR]

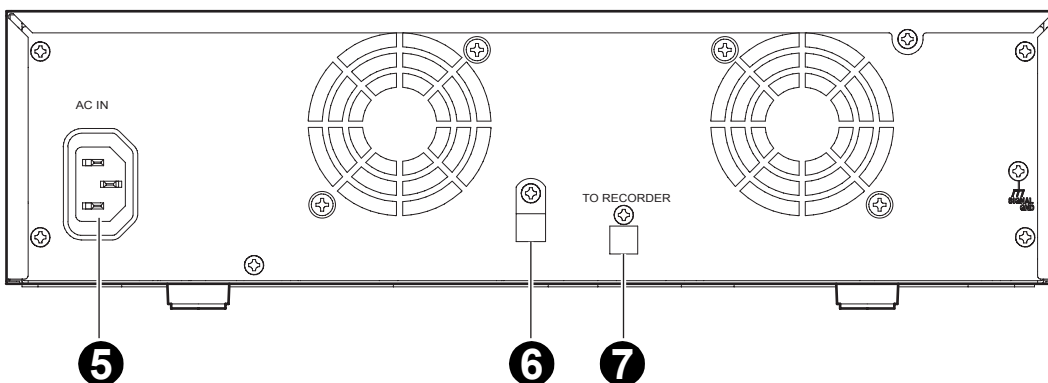
Leuchtet, wenn eine Funktionsstörung des Gebläsemotors im Gerät vorliegt.

Falls diese Anzeige leuchtet, wenden Sie sich an das Geschäft, in dem Sie das Gerät erworben haben, oder eine JVC-Kundendienststelle, um das Gerät reparieren zu lassen.

### 3 Anzeige [HDD ERR]

Leuchtet rot, wenn eine Funktionsstörung des Festplattenlaufwerks vorliegt.

## Rückansicht



### 5 Stromeingangsbuchse [AC IN]

Schließen Sie das mit diesem Gerät mitgelieferte Kabel für Netzstrom mit einer Spannung von 120 V bis 240 V hier an.

### 6 Kabelklemme

Verhindert, dass das Anschlusskabel abgetrennt wird.  
☞ Seite G-5

### 7 [TO RECORDER] (DVR-Anschlussbuchse)

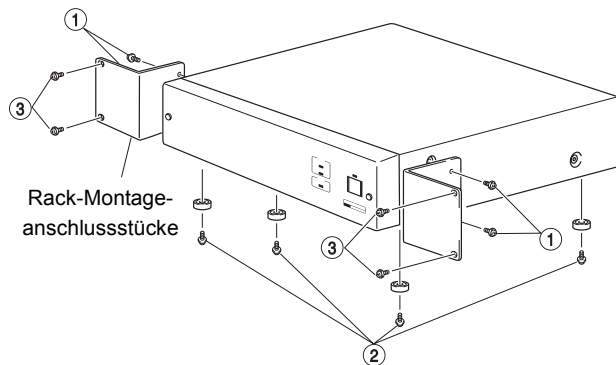
Verwenden Sie das mit diesem Gerät mitgelieferte Kabel, um den digitalen Videorekorder an diese Buchse anzuschließen. Sie müssen das für den Anschluss vorgesehene Spezialkabel verwenden.

☞ Seite G-5

## Vorbereitung

### Befestigung am Rack

Verwenden Sie die mitgelieferten Rack-Montageanschlusstücke, um das Gerät am EIA-Rack zu befestigen. Wenden Sie sich an den nächsten JVC-Fachhändler, um das Gerät am EIA-Rack zu befestigen.



#### 1. Entfernen Sie die Seitenschrauben des Geräts.

Entfernen Sie die Seitenschrauben der Frontplatte (x4).

#### 2. Befestigen Sie die Rack-Montageanschlusstücke.

Verwenden Sie die vier Schrauben (M4 x 10 mm) von Schritt ①, um beide Seiten des Geräts zu befestigen.

#### 3. Entfernen Sie die Füße (x4) von der Unterseite des Geräts.

Lockern Sie die Befestigungsschrauben ②, und entfernen Sie sie dann.

#### 4. Befestigen Sie das Gerät am Rack.

Verwenden Sie die vier Schrauben (M5 x 11 mm) von Schritt ③, um das Gerät zu befestigen.

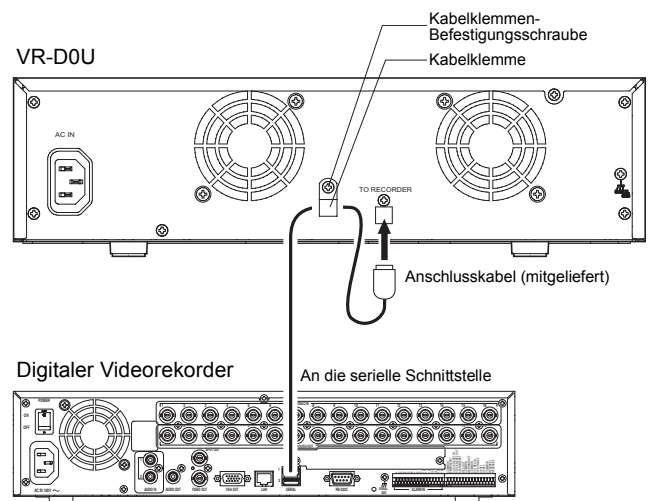
### Vorsicht

- Stellen Sie nie Gegenstände auf ein Gerät mit angebrachten Rack-Montageanschlusstücken. Sie verhindern dadurch, dass das Rack nicht das Gleichgewicht verliert, umfällt und das Gerät beschädigt.
- Achten Sie bei der Installation von zwei oder mehreren Geräten in einem Rack darauf, dass zwischen den Geräten ausreichend Platz bleibt, und zwar jeweils entsprechend etwa der Größe eines Geräts.

### Anschließen des digitalen Videorekorders

Bevor Sie den digitalen Videorekorder mit dem Hauptgerät verbinden, vergewissern Sie sich, dass beide Geräte ausgeschaltet sind.

Weitere Einzelheiten zu den Einstellungen und der Bedienung des digitalen Videorekorders, der an dieses Gerät angeschlossen werden soll, entnehmen Sie bitte der Bedienungsanleitung des digitalen Videorekorders.



#### 1. Verbinden Sie dieses Gerät mit dem digitalen Videorekorder.

Verwenden Sie das für den Anschluss vorgesehene Spezialkabel.

#### 2. Befestigen Sie das Anschlusskabel.

Befestigen Sie die Kabelklemme (dadurch wird verhindert, dass das Kabel abgetrennt wird).

- ① Locken Sie die Befestigungsschraube des Kabelklemme, und nehmen Sie die Kabelklemme dann ab.
- ② Führen Sie das Anschlusskabel durch die Kabelklemme ein, und befestigen Sie es dann am Gerät.

#### 3. Schließen Sie das Netzkabel an.

Stecken Sie den Netzkabelstecker in eine Steckdose, die Strom mit einer Spannung von 120 V bis 240 V führt.

#### 4. Schalten Sie dieses Gerät ein.

#### 5. Schalten Sie den digitalen Videorekorder ein.

#### 6. Führen Sie die Einstellungen des digitalen Videorekorders durch.

Führen Sie diese Einstellungen durch, indem Sie die Verfahren in der Bedienungsanleitung des digitalen Videorekorders befolgen.

### Hinweise

- Schalten Sie das Gerät nie aus, während die Anzeige [HDD ACCESS] leuchtet.
- Vergewissern Sie sich immer, dass der digitale Videorekorder ausgeschaltet ist, bevor Sie dieses Gerät einschalten.
- Schalten Sie immer zuerst den digitalen Videorekorder aus, bevor Sie dieses Gerät ausschalten. (Die Anzeige [HDD ACCESS] bleibt ca. 30 Sekunden lang leuchten, nachdem der digitale Videorekorder ausgeschaltet wurde. Sie können das Gerät dann ausschalten, da die Kommunikation beendet wurde.)

## Technische Daten

■ Allgemein

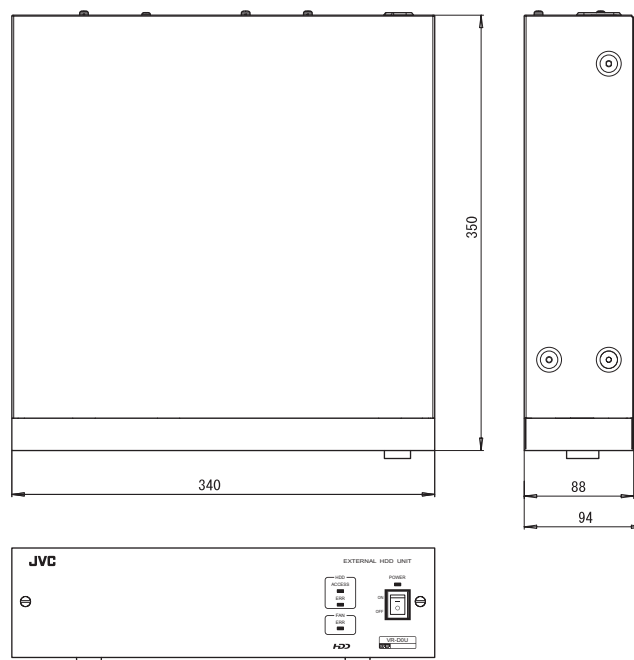
Festplatten-speicherkapazität	500 GB	1 TB	2 TB
Stromversorgung Netzstrom	120 V bis 240 V, 50 Hz/60 Hz		
Zulässige Betriebs-temperatur	5°C bis 40°C		
Zulässige Lagerungs-temperatur	-20°C bis 60°C		
Zulässige Betriebsfeuchtig-keit	30% bis 80%		
Gewicht	6,0 kg	7,5 kg	8,0 kg
Leistungs-aufnahme	0,7 A (0,5 A)	0,7 A	0,7 A

■ Zubehör

Bedienungsanleitung	1
Netzkabel (Für Kontinentaleuropa usw.: 2,5 m)	2
Netzkabel (nur für Großbritannien: 2 m)	1
Anschlusskabel (1 m)	1
Rack-Montageanschlussstück	2
Befestigungsschrauben (M4 x 10 mm) für die Rack-Montageanschlussstücke	4
Rack-Montageschrauben (M5 x 11 mm)	4
Installationsdatumsaufkleber	3

■ Außenabmessungen (Einheit: mm)

340 x 88 x 350 mm (B x H x T)



\* Änderungen der technischen Daten und der äußere Aufmachung des Geräts jederzeit ohne vorherige Ankündigung vorbehalten.

## Verbrauchsteile

Die untenstehende Tabelle zeigt eine Liste der Verbrauchsteile. Die neben den Ersatzteilen aufgelisteten Preise umfassen die technischen Kosten und die Versandkosten, die selbst während der Garantieperiode berechnet werden.

Teilbezeichnung	Anmerkungen
Festplattenlaufwerk (HDD)	Die Austauschperiode geht nach 10 000 Betriebsstunden (ungefähr ein Jahr) ab dem Datum des Gebrauchsbeginns zu Ende.
Gebläseeinheit	Die Austauschperiode geht nach 30 000 Betriebsstunden (ungefähr drei Jahre) ab dem Datum des Gebrauchsbeginns zu Ende.

Um den Austausch und die Wartung der Verbrauchsteile zu unterstützen, verwenden Sie den angebrachten Installationsdatumsaufkleber. Geben Sie das Anfangsdatum des Gebrauchs auf dem Installationsdatumsaufkleber ein, und befestigen Sie den Aufkleber an diesem Gerät.



## PRÉCAUTIONS DE SÉCURITÉ

---

Cher(e) client(e),  
Cet appareil est conforme aux directives et normes européennes en vigueur concernant la compatibilité électromagnétique et à la sécurité électrique.

Représentant européen de la société Victor Company of Japan, Limited :  
JVC Technology Centre Europe GmbH  
Postfach 10 05 52  
61145 Friedberg  
Allemagne

### **Informations relatives à l'élimination des appareils usagés, à l'intention des utilisateurs**



#### **[Union européenne]**

Lorsque ce symbole figure sur un appareil électrique et électronique, cela signifie qu'il ne doit pas être éliminé en tant que déchet ménager à la fin de son cycle de vie. Le produit doit être porté au point de pré-collecte approprié au recyclage des appareils électriques et électroniques pour y subir un traitement, une récupération et un recyclage, conformément à la législation nationale.

En éliminant correctement ce produit, vous contribuez à la conservation des ressources naturelles et à la prévention des éventuels effets négatifs sur l'environnement et la santé humaine, pouvant être dus à la manipulation inappropriée des déchets de ce produit. Pour plus d'informations sur le point de pré-collecte et le recyclage de ce produit, contactez votre mairie, le service d'évacuation des ordures ménagères ou le magasin dans lequel vous avez acheté le produit.

Des amendes peuvent être infligées en cas d'élimination incorrecte de ce produit, conformément à la législation nationale.

#### **(Utilisateurs professionnels)**

Si vous souhaitez éliminer ce produit, visitez notre page Web [www.jvc-europe.com](http://www.jvc-europe.com) afin d'obtenir des informations sur sa récupération.

#### **[Pays ne faisant pas partie de l'Union européenne]**

Si vous souhaitez éliminer ce produit, faites-le conformément à la législation nationale ou autres règles en vigueur dans votre pays pour le traitement des appareils électriques et électroniques usagés.

**Attention :**  
Ce symbole  
n'est reconnu  
que dans  
l'Union  
européenne.

## Principales caractéristiques

### Cet appareil est une Unité HDD Externe prévue pour les enregistreurs vidéo numériques fabriqués par JVC

Cette unité HDD peut être connectée aux enregistreurs vidéo numériques (DVR) indiqués ci-dessous.

VR-509E

VR-N900U (lancement prévu pour Décembre 2006)

\* Cet appareil ne peut pas être connecté à un DVR ou PC d'une autre marque.

\* Quand le VR-509E est connecté au VR-D0U, une version mise à jour du logiciel peut s'avérer nécessaire pour le DVR. Pour plus de détails, prière de contacter le revendeur chez qui on a acheté l'appareil ou le revendeur JVC le plus proche.

## Sommaire

### Pour commencer

Sommaire .....	F-2
PRÉCAUTIONS .....	F-3
Nomenclature et fonctions .....	F-4

### Préparation

Fixation à un bâti .....	F-5
Connexion de l'enregistreur vidéo numérique .....	F-5

### Divers

Caractéristiques techniques .....	F-6
-----------------------------------	-----

### Comment lire ce manuel

- Dans la suite de ce manuel, ce matériel est appelé VR-D0U.
- Les noms des touches utilisées pour les diverses opérations sont indiqués entre [ ].

Exemple: Touche MENU → [MENU]

- \* Tous les noms de produit mentionnés dans ce manuel sont des marques de fabrique ou des marques déposées de leurs sociétés respectives. Dans ce manuel, les marques telles que™, ® et © sont omises.

# PRÉCAUTIONS

## ■ Endroit de rangement et d'utilisation

Prière d'éviter de ranger ou d'utiliser cet appareil dans les endroits suivants:

- Endroits extrêmement froids ou chauds où la température est hors de la plage d'utilisation admissible (5°C - 40°C).
- Endroits humides ou secs où l'humidité relative est hors de la plage d'utilisation admissible (30% - 80% HR).
- Endroits poussiéreux ou sablonneux.
- Endroits exposés à de l'huile, de la fumée ou de la vapeur, comme dans une cuisine ou à proximité.
- Endroits instables ou soumis à des vibrations.
- Endroits sujets à de la condensation.
- Endroits qui génèrent de puissants champs magnétiques, par ex., transformateur ou moteur électrique.
- Endroits à proximité d'appareils qui génèrent des ondes électromagnétiques, par ex., émetteur-récepteur ou téléphone portable.
- Endroits où des radiations, des rayons X ou des gaz corrosifs sont générés.

## ■ Manipulation de l'appareil

- Prière de ne pas poser d'objet lourd, tel qu'un moniteur ou un téléviseur, sur cet appareil. En outre, ne pas empiler plusieurs appareils VR-DOU.
- Prière de ne pas obstruer les ouvertures de ventilation.
- Éviter de soumettre l'appareil à des chocs. Ne pas le laisser tomber.

## ■ Entretien de l'appareil (Prière de couper l'alimentation avant de procéder à toute opération d'entretien.)

Prière d'essuyer l'appareil avec un chiffon doux. Ne jamais utiliser du diluant ou du benzène pour le nettoyer; cela pourrait faire fondre ou ternir la surface. Pour les taches rebelles, essuyer d'abord avec un chiffon légèrement imbibé d'un détergent neutre dilué à l'eau, puis avec un chiffon sec.

## ■ Prière d'utiliser le cordon d'alimentation fourni. L'utilisation d'un cordon endommagé ou de type différent peut donner lieu à un incendie ou un choc électrique.

## ■ Pour économiser l'énergie, ne pas oublier d'éteindre le système quand il n'est pas utilisé.

## ■ Ne pas utiliser le cordon d'alimentation fourni avec cet appareil sur un autre matériel.

## ■ Pour éviter toute augmentation anormale de la température interne des divers appareils, ne pas les empiler.

## ■ Ne pas introduire de corps étranger dans cet appareil; cela pourrait entraîner un mauvais fonctionnement ou un choc électrique.

## Disque dur

Le minuscule espace entre le disque dur (auss appelé HDD) et la tête qui lit et écrit les données sur ce disque est de 0,02 µm. Si le disque dur est soumis à des vibrations ou des chocs, cela peut entraîner un contact de la tête avec le disque, donnant lieu à des entailles et des rayures sur la surface de celui-ci. Ceci empêche alors la lecture des données, et peut provoquer un endommagement irrémédiable du disque. Il est donc nécessaire de manipuler l'enregistreur avec une très grande attention.

■ Le disque dur est un élément consommable. Il est conseillé de le remplacer après 10 000 heures d'utilisation (sous une température ambiante de 25°C). Pour les informations concernant les prévisions et les frais d'entretien, consulter le revendeur JVC le plus proche.

■ Il est conseillé d'utiliser une alimentation ininterrompible (UPS) lors de l'installation de disques durs externes supplémentaires, cela permettra d'assurer la stabilité du système.

■ Si une panne d'alimentation se produit pendant le formatage du disque dur, la déconnexion, ou lors de la configuration ou de la désactivation du mode miroir, le fonctionnement du matériel peut être interrompu même s'il est connecté à une UPS.

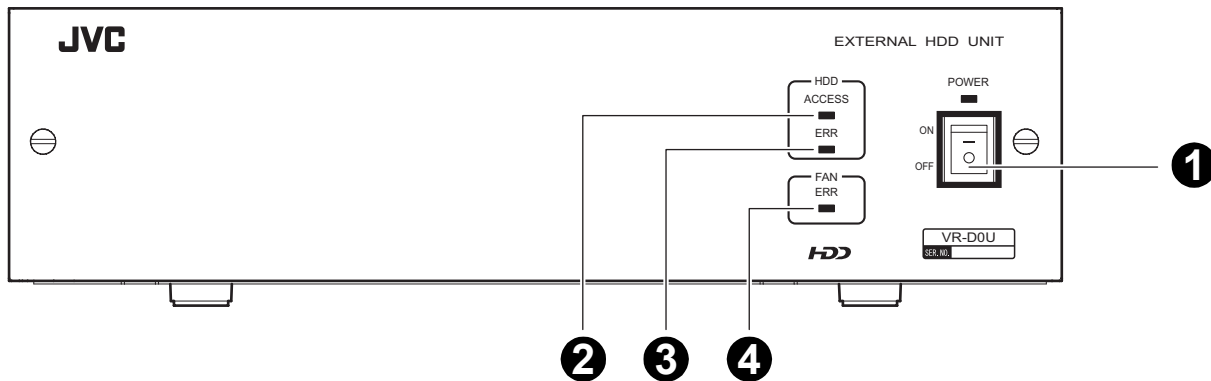
■ Prière de noter que nous n'accordons aucune indemnisation pour toute panne pendant l'enregistrement ou la lecture du fait de défauts dans ce matériel ou le disque dur.

■ Prière de noter que les images enregistrées seront effacées lors du remplacement des disques durs. Noter que dans certains cas les images enregistrées peuvent être effacées lors de la mise à niveau du logiciel.

■ Ce matériel est automatiquement réinitialisé quand des erreurs mineures d'écriture de données se produisent avec le disque dur ou tout autre appareil se trouvant dans le système.

# Nomenclature et fonctions

## Vue de face



### 1 Interrupteur [POWER]

Permet d'allumer et d'éteindre l'appareil. L'affichage POWER s'allume en vert quand l'appareil est allumé.

### 2 Affichage [HDD ACCESS]

S'allume en vert quand il y a un accès au disque dur. Ne jamais éteindre l'appareil quand cet affichage est allumé.

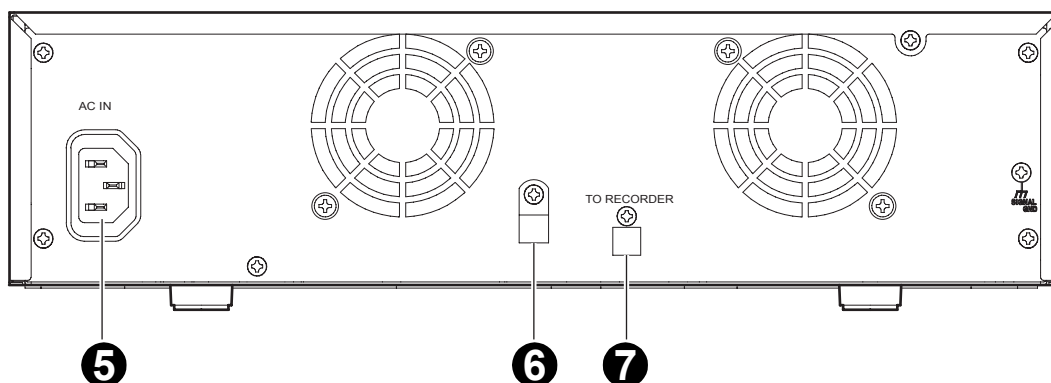
### 3 Affichage [HDD ERR]

S'allume en rouge en cas de mauvais fonctionnement du disque dur. Si cet affichage s'allume, contacter le revendeur chez qui on a acheté l'appareil ou un agent de service JVC pour le faire réparer.

### 4 Affichage [FAN ERR]

S'allume en cas de mauvais fonctionnement du moteur de ventilateur situé à l'intérieur de l'appareil. Si cet affichage s'allume, contacter le revendeur chez qui on a acheté l'appareil ou un agent de service JVC pour le faire réparer.

## Vue de dos



### 5 Borne d'entrée d'alimentation [AC IN]

Point de connexion pour le cordon d'alimentation CA 120 V - 240 V fourni avec l'appareil.

### 6 Bride de câble

Empêche le câble de connexion de se débrancher.

📖 Page F-5

### 7 [TO RECORDER] (Borne de connexion de DVR)

Point de connexion pour le câble fourni et le DVR. Pour la connexion, il faut utiliser le câble spécial fourni.

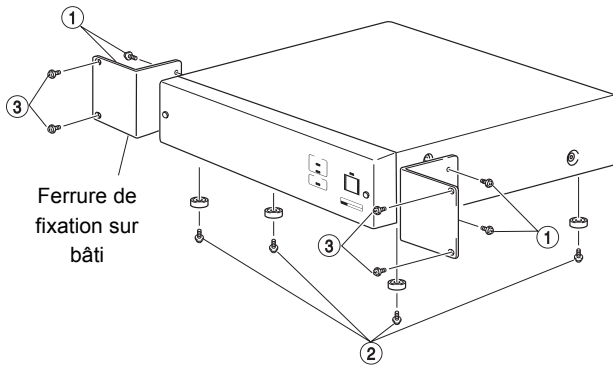
📖 Page F-5

## Préparation

### Fixation à un bâti

Pour fixer l'appareil à un bâti EIA, utiliser les ferrures de fixation fournies.

Pour l'installation de cet appareil dans un bâti EIA, contacter le revendeur JVC le plus proche.



#### 1. Enlever les vis latérales de l'appareil.

Enlever les vis latérales du panneau avant (×4).

#### 2. Monter les ferrures de fixation sur bâti.

Utiliser les quatre vis (M4 × 10 mm) en ① pour fixer les deux côtés de l'appareil.

#### 3. Enlever les pieds (×4) de la base de l'appareil.

Desserrer les vis de fixation ② et les enlever.

#### 4. Fixer l'appareil au bâti.

Utiliser les quatre vis fournies (M5 × 11 mm) en ③ pour fixer.

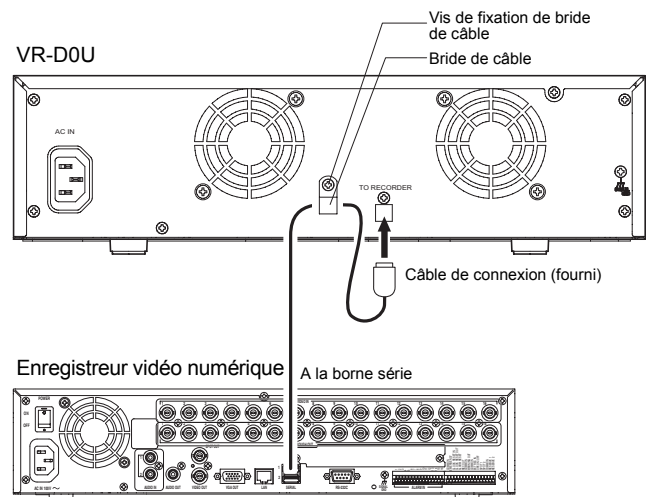
### Attention

- Ne jamais rien poser sur un appareil fixé à un bâti. Le bâti pourrait être déséquilibré, se renverser, tomber, et endommager l'appareil.
- Lors de l'installation de deux appareils ou plus dans un bâti, laisser un espace d'environ la taille d'un appareil entre eux.

### Connexion de l'enregistreur vidéo numérique

Avant de connecter le DVR et l'appareil, s'assurer que les deux sont éteints.

Pour plus de détails sur les réglages et l'utilisation du DVR à connecter à cet appareil, prière de se référer au mode d'emploi du DVR.



#### 1. Connecter cet appareil et le DVR.

Utiliser le câble fourni pour faire la connexion.

#### 2. Attacher le câble de connexion.

Veiller à fixer la bride de câble (cela empêche la déconnexion du câble).

- ① Desserrer la vis de fixation de la bride de câble, puis enlever la bride de câble.
- ② Faire passer le câble de connexion à travers la bride de câble puis fixer cette bride à l'appareil.

#### 3. Brancher le cordon d'alimentation.

Brancher le cordon d'alimentation à une prise CA 120 V - 240 V.

#### 4. Allumer cet appareil.

#### 5. Allumer le DVR.

#### 6. Faire les réglages pour le DVR.

Faire les réglages en procédant comme décrit dans le mode d'emploi du DVR.

### Remarque

- Ne jamais éteindre l'appareil lorsque l'affichage HDD ACCESS est allumé.
- Avant d'allumer cet appareil, toujours s'assurer que le DVR est éteint.
- Avant d'éteindre cet appareil, toujours éteindre le DVR. (Une fois que le DVR est éteint, l'affichage HDD ACCESS peut rester allumé pendant environ 30 secondes. Du fait que la communication est terminée, vous pouvez éteindre l'appareil.)

# Caractéristiques techniques

■ Générales

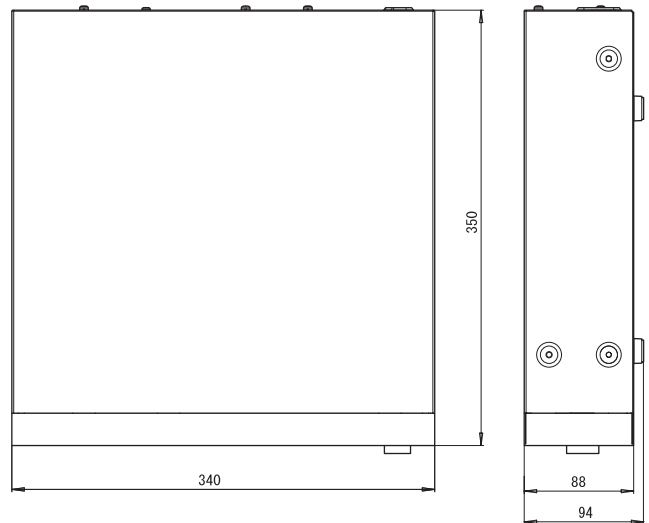
Capacité du disque dur	500 GO	1 To	2 To
Alimentation	CA 120V - 240V, 50 Hz/60 Hz		
Plage de température d'utilisation admissible	5°C à 40°C		
Plage de température de rangement admissible	-20°C à 60°C		
Plage d'humidité d'utilisation admissible	30% à 80%		
Poids	6,0 kg	7,5 kg	8,0 kg
Puissance absorbée	0,7 A (0,5 A)	0,7 A	0,7 A

■ Accessoires

Mode d'emploi	1
Cordon d'alimentation (Pour Europe continentale, etc.: 2,5 m)	2
Cordon d'alimentation (Pour Royaume-Uni seulement: 2 m)	1
Câble de connexion (1 m)	1
Ferrure de fixation sur bâti	2
Vis de fixation de ferrure de fixation sur bâti (M4 × 10 mm)	4
Vis de fixation sur bâti (M5 × 11 mm)	4
Étiquette de date d'installation	3

■ Dimensions externes (Unité: mm)

340 × 88 × 350 mm (L × H × P)



\* Les caractéristiques techniques et l'aspect extérieur de l'appareil sont modifiables sans préavis.

## Éléments consommables

Le tableau ci-dessous est une liste des éléments consommables. Le prix des pièces qui accompagne ces frais de remplacement et de réparation comprend les prix de l'intervention technique et du transport qui sont facturés même pendant la période de garantie.

Nom de la pièce	Remarques
Disque dur (HDD)	La période d'échange expire après 10 000 heures d'utilisation (environ un an) à partir de la date de début de l'utilisation.
Ensemble ventilateur	La période d'échange expire après 30 000 heures d'utilisation (environ trois ans) à partir de la date de début de l'utilisation.

Pour confirmer l'échange et l'entretien des éléments consommables, utiliser l'étiquette de date d'installation fournie. Inscrire la date de début de l'utilisation sur l'étiquette de date d'installation et coller cette étiquette sur l'appareil.

## PRECAUCIONES DE SEGURIDAD

---

Apreciado cliente,  
Este aparato cumple con las normativas y normas europeas respecto a la seguridad eléctrica y a la compatibilidad electromagnética.

El representante europeo de Victor Company of Japan, Limited es:  
JVC Technology Centre Europe GmbH  
Postfach 10 05 52  
61145 Friedberg  
Alemania

### **Información para los usuarios sobre la eliminación de equipos usados**



#### **[Unión Europea]**

Este símbolo indica que los aparatos eléctricos y electrónicos no deben desecharse junto con la basura doméstica al final de su vida útil. El producto deberá llevarse al punto de recogida correspondiente para el reciclaje y el tratamiento adecuado de equipos eléctricos y electrónicos de conformidad con la legislación nacional.

Si desecha el producto correctamente, estará contribuyendo a conservar los recursos naturales y a prevenir los posibles efectos negativos en el medio ambiente y en la salud de las personas que podría causar el tratamiento inadecuado del producto desechado. Para obtener más información sobre el punto de recogida y el reciclaje de este producto, póngase en contacto con su oficina municipal, su servicio de recogida de basura doméstica o la tienda en la que haya adquirido el producto.

De acuerdo con la legislación nacional, podrían aplicarse multas por la eliminación incorrecta de estos desechos.

#### **(Empresas)**

Si desea desechar este producto, visite nuestra página Web [www.jvc-europe.com](http://www.jvc-europe.com) para obtener información acerca de la retirada del producto.

#### **[Otros países no pertenecientes a la Unión Europea]**

Si desea desechar este producto, hágalo de conformidad con la legislación nacional vigente u otras normativas de su país para el tratamiento de equipos eléctricos y electrónicos usados.

#### **Atención:**

Este símbolo sólo es válido en la Unión Europea.

# Principales funciones

## Ésta es una Unidad HDD Externa para Grabadoras de Vídeo Digitales fabricadas por JVC

Esta unidad HDD puede conectarse a las siguientes grabadoras DVR (Grabadoras de Vídeo Digitales).

VR-509E

VR-N900U (lanzamiento programado para diciembre de 2006)

\* Estas unidades no pueden conectarse a ningún DVR o PC fabricados por cualquier otra compañía.

\* Cuando se conecta la unidad VR-509E a la unidad VR-D0U, se requiere una versión actualizada del software para el DVR.

Para los detalles, póngase en contacto con el revendedor donde ha comprado la unidad o con su distribuidor JVC más cercano.

# Contenido

## Introducción

Contenido .....	S-2
PRECAUCIONES .....	S-3
Nombres y funciones de los componentes .....	S-4

## Preparación

Instalación en el bastidor .....	S-5
Conexión de la Grabadora de Vídeo Digital .....	S-5

## Otros

Especificaciones .....	S-6
------------------------	-----

## Cómo leer este manual

■ En las secciones subsiguientes de este manual, se referirá a este equipo como el VR-D0U.

■ Los nombres de los botones que se utilizan durante las operaciones están encerrados en corchetes [ ].

Ejemplo: Botón MENU → [MENU]

\* Todos los nombres de productos que aparecen en este manual son las marcas comerciales o marcas registradas de sus respectivas compañías.

En este manual se omiten las marcas como™, ® y ©.



# PRECAUCIONES

## ■ Lugar de almacenaje y uso

Evite almacenar o utilizar esta unidad en los siguientes lugares:

- Lugares extremadamente calientes o fríos más allá de la temperatura permisible para la operación (5°C - 40°C).
- Lugares húmedos o secos más allá del rango de humedad permisible para la operación (30% - 80% RH).
- Lugares polvorientos o arenosos.
- Lugares expuestos al aceite, humo o vapor, tales como en las cercanías de la cocina.
- Lugares oscilantes o inestables.
- Lugares propensos a condensación.
- Lugares que generan campos magnéticos intensos, como por ejemplo, un transformador o motor.
- Lugares cerca de dispositivos que generan ondas eléctricas, como por ejemplo, transceptores o teléfonos móviles.
- Lugares que generan radiación, rayos X o gases corrosivos.

## ■ Manipulación de la unidad

- No coloque objetos pesados sobre esta unidad, como un monitor o televisor. Además, no apile unidades VR-D0U una sobre la otra.
- No bloquee las aberturas de ventilación.
- Evite impactos violentos a la unidad. No deje caer la unidad.

## ■ Mantenimiento de la unidad (Apague la alimentación antes de realizar el trabajo de mantenimiento.)

Limpie la unidad con un paño blando. No limpie la unidad con diluyentes o bencina, pues la superficie podría derretirse u opacarse. Para manchas resistentes, limpie primero con un detergente neutro diluido en agua y, a continuación, seque.

## ■ Utilice el cable de alimentación suministrado. El uso de un tipo de cable diferente o de un cable dañado puede causar fuego o descarga eléctrica.

## ■ Para ahorrar energía, asegúrese de apagar el sistema cuando no lo esté utilizando.

## ■ No utilice el cable de alimentación suministrado con este equipo en otros dispositivos.

## ■ No apile este equipo con otros dispositivos para evitar la elevación de la temperatura en su interior.

## ■ No inserte objetos extraños en esta unidad, pues esto puede ocasionar fallos de funcionamiento o descargas eléctricas.

## Unidad de Disco Duro

La distancia entre el disco y la cabeza que lee y escribe los datos en el disco duro (de aquí en adelante referido como el HDD) es una distancia minúscula de 0,02  $\mu\text{m}$ . Por lo tanto, las vibraciones e impactos físicos al HDD pueden hacer que la cabeza entre en contacto con el disco, produciendo abolladuras y arañazos y en su superficie. En consecuencia, eso impedirá la lectura de los datos, pudiendo inclusive romper el disco si se continúa utilizando. Por lo tanto, es necesario manipular la grabadora con mucho cuidado.

■ El HDD es un ítem consumible. Se recomienda su reemplazo después de 10 000 horas de uso (si se lo utiliza en un ambiente de 25°C). Para la información acerca del planeamiento y coste de mantenimiento, consulte su distribuidor JVC más cercano.

■ Se recomienda el uso de un dispositivo UPS (Suministro de Energía Ininterrumpido) cuando instale discos duros externos adicionales, para asegurar que el sistema permanezca estable.

■ Si ocurre un corte de energía durante un procedimiento de formateo, desconexión, o configuración o desactivación del duplicado simultáneo del HDD, puede que la operación del equipo quede imposible, aunque esté conectado al equipo UPS.

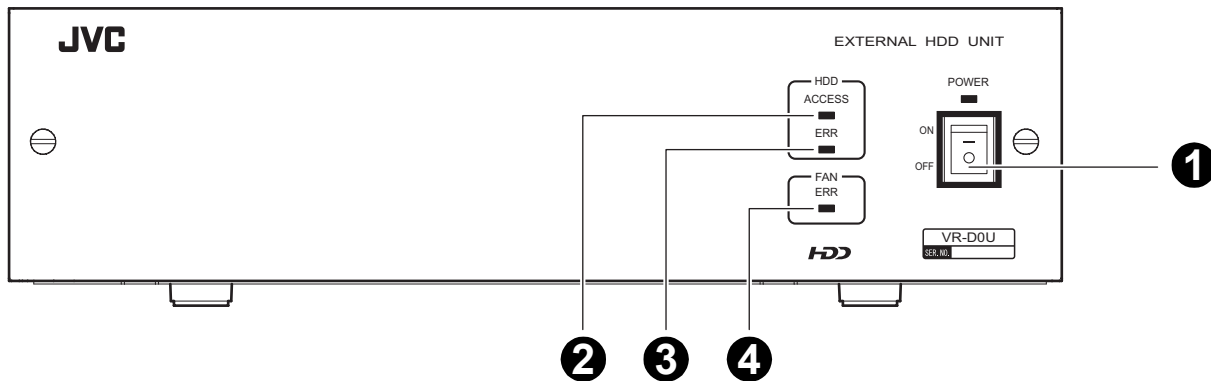
■ Observe que no proveemos ningún tipo de indemnización por cualquier fallo durante la grabación o reproducción debido a defectos de este equipo o del HDD.

■ Tenga en cuenta que las imágenes grabadas se apagarán cuando se reemplacen los discos duros. Observe también que hay casos en que las imágenes grabadas pueden apagarse cuando se actualiza el software.

■ Este equipo se reiniciará automáticamente cuando ocurren pequeños errores de escritura de datos con el HDD o con otro dispositivo en este sistema.

# Nombres y funciones de los componentes

## Vista frontal



### 1 Interruptor [POWER]

Se utiliza para encender y apagar la alimentación. El indicador POWER se ilumina en verde cuando se enciende la alimentación.

### 2 Indicador [HDD ACCESS]

Se ilumina en verde mientras se está accediendo al HDD. No apague nunca la alimentación mientras este indicador esté iluminado.

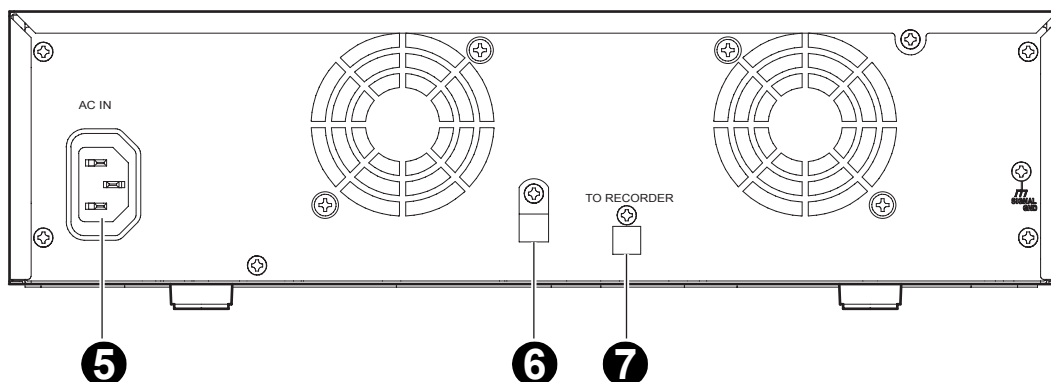
### 3 Indicador [HDD ERR]

Se ilumina en rojo si el HDD funciona incorrectamente. Cuando se ilumine este indicador, póngase en contacto con el revendedor donde ha comprado la unidad o con un representante de servicio JVC para la reparación.

### 4 Indicador [FAN ERR]

Se ilumina si el motor del ventilador en el interior de la unidad funciona incorrectamente. Cuando se ilumine este indicador, póngase en contacto con el revendedor donde ha comprado la unidad o con un representante de servicio JVC para la reparación.

## Vista trasera



### 5 Terminal de entrada de energía [AC IN]

El punto de conexión para el cable de alimentación de CA 120 V - 240 V suministrado con la unidad.

### 6 Abrazadera de cable

Previene la desconexión del cable.

📖 Página S-5

### 7 [TO RECORDER] (terminal de conexión de DVR)

El punto de conexión para el cable suministrado y el DVR. Debe utilizar el cable especial suministrado para la conexión.

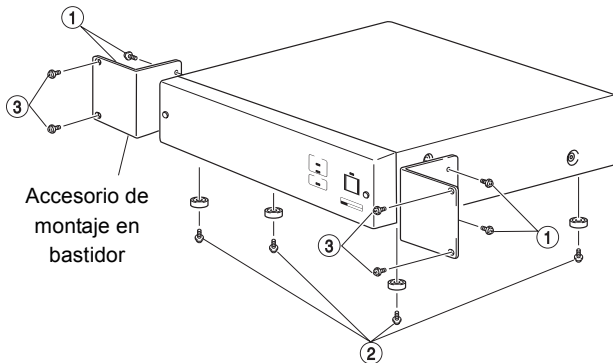
📖 Página S-5

## Preparación

### Instalación en el bastidor

Utilice los accesorios de montaje en bastidor suministrados para instalar la unidad en el bastidor EIA.

Cuando instale esta unidad en el bastidor EIA, póngase en contacto con su distribuidor JVC más cercano.



#### 1. Extraiga los tornillos de los lados de la unidad.

Extraiga los tornillos del panel frontal (×4).

#### 2. Instale los accesorios de montaje en bastidor.

Utilice los cuatro tornillos (M4 × 10 mm) en ① para apretar ambos lados de la unidad.

#### 3. Extraiga los pies (×4) de la parte inferior de la unidad.

Afloje los tornillos de fijación ② y extráigalos.

#### 4. Instale la unidad en el bastidor.

Utilice los cuatro tornillos suministrados (M5 × 11 mm) en ③ para fijar.

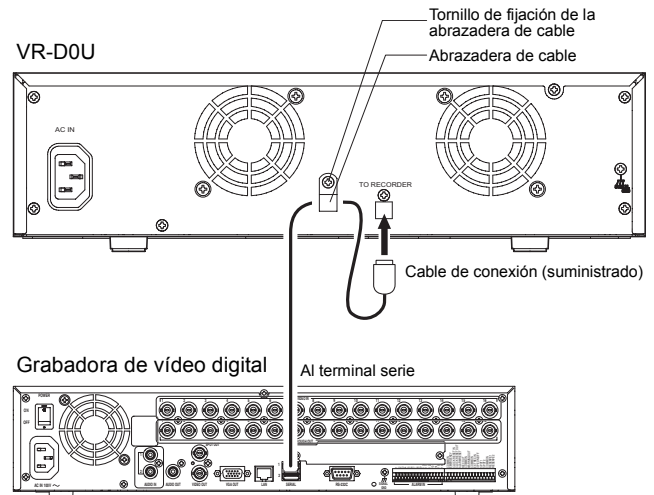
### Precaución

- Nunca coloque nada encima de una unidad con accesorios de montaje en bastidor instalados. Eso es para prevenir el desequilibrio del bastidor, ya que el bastidor podría volcarse, caer y dañar la unidad.
- Cuando instale dos o más unidades en un bastidor, deje un espacio entre las unidades de aproximadamente el mismo tamaño de una unidad.

### Conexión de la Grabadora de Vídeo Digital

Antes de conectar el DVR y la unidad principal, asegúrese de ambos estén apagados.

Para los detalles acerca de las configuraciones y operación del DVR que se conectará a esta unidad, consulte el manual de instrucciones del DVR.



#### 1. Conecte esta unidad y el DVR.

Utilice el cable suministrado para hacer la conexión.

#### 2. Apriete el cable de conexión.

Asegúrese de apretar la abrazadera de cables (esto previene la desconexión del cable).

- ① Afloje el tornillo de fijación de la abrazadera de cable y, a continuación, extraiga la abrazadera de cable.
- ② Pase el cable de conexión a través de la abrazadera de cable y, a continuación, fíjelo a la unidad.

#### 3. Conecte el cable de alimentación.

Conecte el enchufe del cable de alimentación a una toma de CA 120 V - 240 V.

#### 4. Encienda esta unidad.

#### 5. Encienda el DVR.

#### 6. Haga las configuraciones para el DVR.

Haga las configuraciones siguiendo los procedimientos que se describen en el manual de instrucciones del DVR.

### Nota

- No apague nunca la unidad mientras el indicador HDD ACCESS esté iluminado.
- Asegúrese siempre de que el DVR esté apagado antes de encender esta unidad.
- Asegúrese siempre de apagar el DVR antes de apagar esta unidad. (Puede que el indicador HDD ACCESS permanezca iluminado durante aproximadamente 30 segundos después de que se apague el DVR. Puede apagar el equipo porque la comunicación ha terminado.)

# Especificaciones

■ Generalidades

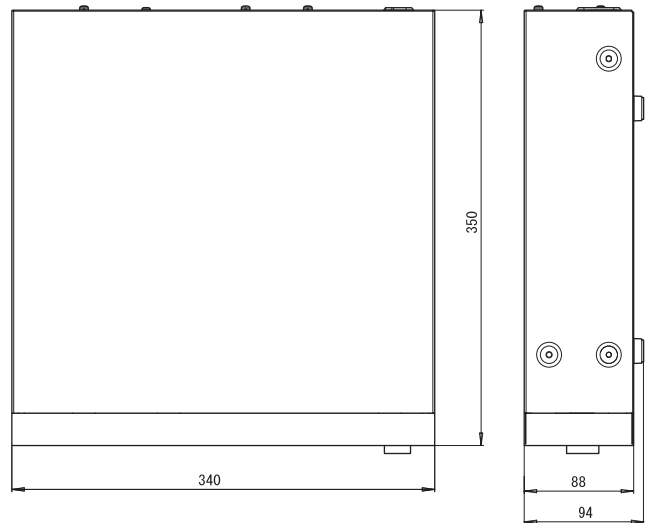
Capacidad del HDD	500 GB	1 TB	2 TB
Suministro de energía	CA 120 V - 240 V, 50 Hz/60 Hz		
Rango de temperatura de funcionamiento permisible	5°C a 40°C		
Rango de temperatura de almacenaje permisible	-20°C a 60°C		
Rango de humedad de funcionamiento permisible	30% a 80%		
Peso	6,0 kg	7,5 kg	8,0 kg
Consumo de energía	0,7 A (0,5 A)	0,7 A	0,7 A

■ Accesorios

Manual de instrucciones	1
Cable de alimentación (para Europa continental, etc.: 2,5 m)	2
Cable de alimentación (para Reino Unido solamente: 2 m)	1
Cable de conexión (1 m)	1
Accesorio de montaje en bastidor	2
Tornillos de fijación de accesorio de montaje en bastidor (M4 x 10 mm)	4
Tornillos de montaje en bastidor (M5 x 11 mm)	4
Etiqueta de fecha de instalación	3

■ Dimensiones exteriores (Unidades: mm)

340 × 88 × 350 mm (An. × Al. × Pr.)



\* Las especificaciones y la apariencia de esta unidad están sujetas a cambios sin previo aviso.

## Piezas consumibles

La tabla a continuación es una lista de las piezas consumibles. Los gastos de reparación, incluyendo el costo de las piezas de reemplazo, de visita del técnico y de sus servicios técnicos se cobran aún durante el período de garantía.

Nombre de la pieza	Observaciones
Unidad de Disco Duro (HDD)	El período de cambio expirará después de 10 000 horas de uso (aprox. un año) desde la fecha de uso inicial.
Unidad de ventilador	El período de cambio expirará después de 30 000 horas de uso (aprox. tres años) desde la fecha de uso inicial.

Como un criterio para el período de mantenimiento y de cambio de las piezas consumibles, verifique la etiqueta de la fecha de instalación que se encuentra fijada. Escriba la fecha de uso inicial en la etiqueta de la fecha de instalación y fíjela a este equipo.

## PRECAUZIONI PER LA SICUREZZA

---

Gentile Cliente,  
Questa apparecchiatura è conforme alle direttive e alle norme europee relative alla compatibilità elettromagnetica e alla sicurezza elettrica.

Il rappresentante europeo della Victor Company of Japan, Limited è:  
JVC Technology Centre Europe GmbH  
Postfach 10 05 52  
61145 Friedberg  
Germania

### **Informazioni per gli utenti sullo smaltimento delle apparecchiature obsolete**



#### **[Unione Europea]**

Questo simbolo indica che l'apparecchiatura elettrica ed elettronica a cui è relativo non deve essere smaltita tra i rifiuti domestici generici alla fine della sua vita utile. Il prodotto, invece, va consegnato a un punto di raccolta appropriato per il riciclaggio di apparecchiature elettriche ed elettroniche, per il trattamento, il recupero e il riciclaggio corretti, in conformità alle proprie normative nazionali.

Mediante lo smaltimento corretto di questo prodotto, si contribuirà a preservare le risorse naturali e a prevenire potenziali effetti negativi sull'ambiente e sulla salute umana che potrebbero essere provocati, altrimenti, da uno smaltimento inappropriato del prodotto. Per ulteriori informazioni sul punto di raccolta e il riciclaggio di questo prodotto, contattare la sede comunale locale, il servizio di smaltimento rifiuti domestici o il negozio in cui si è acquistato il prodotto.

L'utente è responsabile del conferimento dell'apparecchio a fine vita alle appropriate strutture di raccolta, pena le sanzioni previste dalla vigente legislazione sui rifiuti.

#### **(Per gli utenti aziendali)**

Qualora si desideri smaltire questo prodotto, visitare la nostra pagina web [www.jvc-europe.com](http://www.jvc-europe.com) per ottenere informazioni sul ritiro del prodotto.

#### **[Per altre nazioni al di fuori dell'Unione Europea]**

Qualora si desideri smaltire questo prodotto, effettuare lo smaltimento in conformità alla normativa nazionale applicabile o alle altre leggi della propria nazione relative al trattamento delle apparecchiature elettriche ed elettroniche obsolete.

**Attenzione:**  
Questo simbolo  
è valido solo  
nell'Unione  
Europea.

# Caratteristiche principali

## Questa unità HDD esterna è intesa per l'uso con registratori video digitali prodotti da JVC

Questa unità HDD può essere collegata ai seguenti DVR (registratori video digitali):

VR-509E

VR-N900U (immissione in commercio prevista per Dicembre 2006)

\* Queste unità non possono essere collegate ad alcun PC o DVR di qualsiasi altro produttore.

\* Collegando l'unità VR-D0U al registratore VR-509E, potrebbe essere necessario aggiornare la versione software del DVR.

Per maggiori informazioni, contattare il rivenditore presso cui è stata acquistata l'unità oppure il rivenditore JVC più vicino.

# Indice

## Guida introduttiva

Indice .....	I-2
PRECAUZIONI .....	I-3
Nome e funzione delle parti .....	I-4

## Preparazione

Montaggio in rack .....	I-5
Collegamento del registratore video digitale .....	I-5

## Altro

Specifiche tecniche .....	I-6
---------------------------	-----

## Come leggere questo manuale

- Nelle seguenti sezioni del presente manuale, questo apparecchio sarà chiamato VR-D0U.
- I nomi dei pulsanti da utilizzare per il funzionamento sono racchiusi tra [ ].

Esempio: Pulsante MENU → [MENU]

- \* Tutti i nomi dei prodotti citati nel presente manuale sono marchi o marchi registrati dei rispettivi proprietari. In questo manuale sono stati omessi i simboli™, ® e ©.

# PRECAUZIONI

## ■ Luogo di conservazione e di utilizzo

Evitare di conservare o di utilizzare questa unità nei seguenti luoghi:

- Ambienti estremamente caldi o freddi, con temperature al di fuori delle temperature di funzionamento consentite (5°C - 40°C).
- Ambienti molto umidi o molto asciutti, al di fuori dell'umidità di funzionamento consentita (UR 30% - 80%).
- Ambienti polverosi.
- Ambienti esposti a olio, fumo o vapore, come ad esempio in una cucina.
- Superfici instabili o soggette a vibrazioni.
- Ambienti soggetti alla formazione di condensa.
- Ambienti in cui vengono generati forti campi magnetici, come ad esempio in presenza di un trasformatore o di un motore.
- In prossimità di apparecchi che generano onde elettromagnetiche, come ad esempio ricetrasmittitori o telefoni cellulari.
- Ambienti in cui vengono generate radiazioni, raggi X o gas corrosivi.

## ■ Maneggio dell'unità

- Non collocare oggetti pesanti, quali ad esempio un monitor o un televisore, sull'unità. Evitare anche di collocare le unità VR-D0U una sopra l'altra.
- Non ostruire le aperture di ventilazione.
- Non sottoporre l'unità a urti violenti. Non lasciar cadere l'unità.

## ■ Manutenzione dell'unità (prima di effettuare qualsiasi intervento di manutenzione, disinserire l'alimentazione dell'unità)

Pulire l'unità con un panno morbido. Non utilizzare diluenti o benzene, in quanto possono opacizzare o far fondere le superfici dell'unità. In caso di sporco ostinato, pulire prima con un panno inumidito con detergente neutro diluito con acqua, e quindi asciugare.

## ■ Utilizzare il cavo di alimentazione fornito in dotazione. L'uso di un cavo di tipo diverso o di un cavo danneggiato può provocare scosse elettriche o incendi.

## ■ Per risparmiare corrente elettrica, assicurarsi di spegnere l'unità quando non la si utilizza.

## ■ Non utilizzare con altri dispositivi il cavo di alimentazione fornito in dotazione con questo apparecchio.

## ■ Onde evitare un pericoloso aumento della temperatura interna, evitare di accatastare o impilare l'unità.

## ■ Non introdurre oggetti estranei nell'unità, in quanto ciò può provocare guasti o scosse elettriche.

## Unità Hard Disk

La distanza tra il disco e la testina che legge e scrive i dati sull'unità hard disk (di seguito HDD) è di appena 0.02 µm. Se l'HDD è soggetto a vibrazioni e urti, la testina può entrare in contatto con la superficie del disco, ammaccandola e graffiandola. Ciò impedisce la lettura dei dati e può causare il blocco del disco, se si continua ad utilizzarlo. È pertanto necessario maneggiare il registratore con la massima cura.

■ L'HDD è un prodotto di consumo. La sostituzione è consigliata dopo 10.000 ore di utilizzo (in un ambiente a 25°C). Per informazioni sulla pianificazione e sui costi della manutenzione, rivolgersi al rivenditore JVC più vicino.

■ Per garantire la stabilità del sistema, quando si installano delle unità hard disk esterne aggiuntive, si consiglia di utilizzare un gruppo di continuità UPS (Uninterruptible Power Supply).

■ Se si verifica una mancanza di corrente durante la formattazione dell'HDD, lo scollegamento, o durante la configurazione o la disabilitazione del mirroring, il funzionamento dell'apparecchio può essere disabilitato anche se è collegato a un gruppo di continuità.

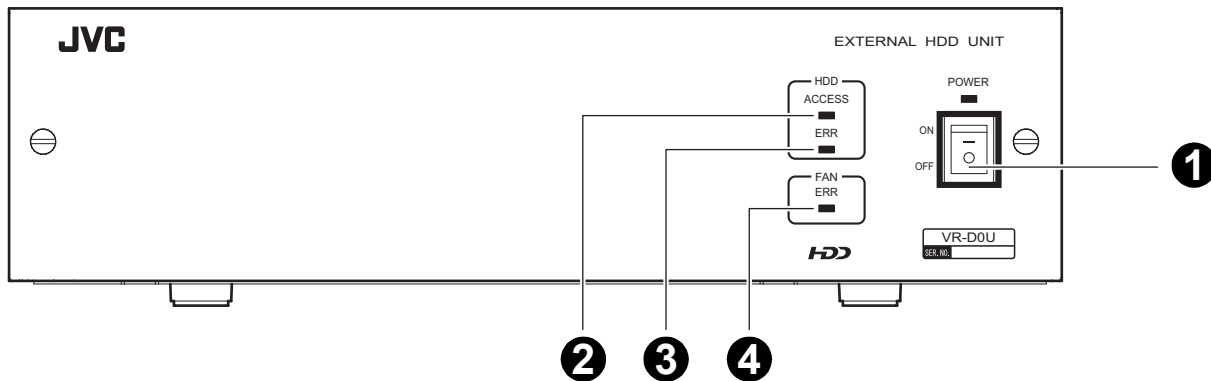
■ Non forniamo alcun risarcimento per eventuali guasti durante la registrazione o la riproduzione dovuti a difetti del DVR o dell'HDD.

■ Sostituendo l'hard disk, le immagini registrate vengono cancellate. In taluni casi le immagini registrate vengono cancellate anche aggiornando il software.

■ L'apparecchio si ripristina automaticamente al verificarsi di errori non gravi nella scrittura dei dati a livello dell'HDD o di altri dispositivi del sistema di cui fa parte questo apparecchio.

## Nome e funzione delle parti

### Lato anteriore



#### 1 Interruttore [POWER]

Accende e spegne l'apparecchio. La spia POWER si accende in verde quando l'apparecchio è acceso.

#### 2 Spia [HDD ACCESS]

Si accende in verde durante l'accesso all'HDD. Evitare di spegnere l'apparecchio quando questa spia è accesa.

#### 3 Spia [HDD ERR]

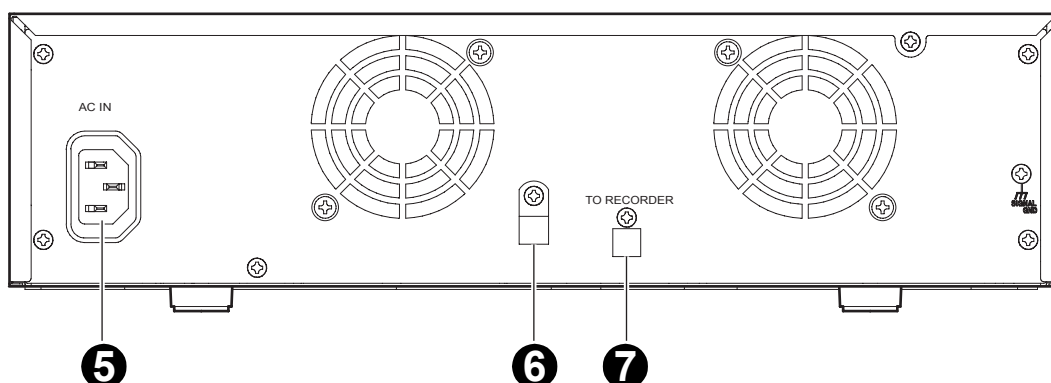
Si accende in rosso in caso di guasto dell'HDD. Se si accende questa spia, rivolgersi al rivenditore presso cui è stata acquistata l'unità oppure a un addetto all'assistenza JVC.

#### 4 Spia [FAN ERR]

Si accende in caso di guasto del motore della ventola interna.

Se si accende questa spia, rivolgersi al rivenditore presso cui è stata acquistata l'unità oppure a un addetto all'assistenza JVC.

### Lato posteriore



#### 5 Terminale di ingresso alimentazione [AC IN]

Qui si collega il cavo di alimentazione CC da 120 V - 240 V fornito in dotazione con l'unità.

#### 6 Fermacavi

Evita lo scollamento accidentale del cavo di connessione.

Page I-5

#### 7 Terminale di connessione al DVR [TO RECORDER]

Qui si collega al DVR il cavo di connessione fornito in dotazione. La connessione deve essere effettuata utilizzando l'apposito cavo fornito in dotazione.

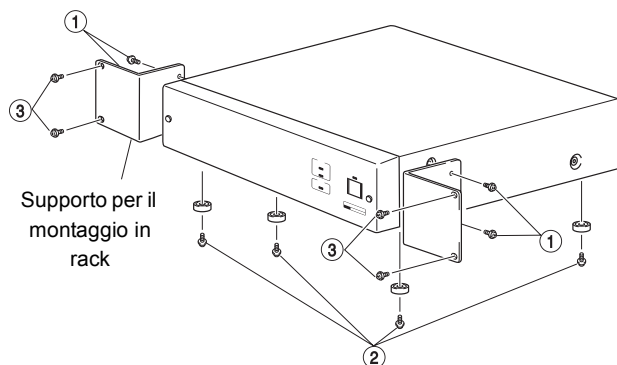
Page I-5



### Montaggio in rack

Utilizzare i supporti per il montaggio in rack forniti in dotazione per installare l'unità in un rack EIA.

Per informazioni sull'installazione dell'unità in un rack EIA si raccomanda di rivolgersi al proprio rivenditore JVC.



#### 1. Rimuovere le viti laterali dell'unità.

Rimuovere le viti laterali del pannello anteriore (×4).

#### 2. Fissare i supporti per il montaggio in rack.

Usare le quattro viti (M4 × 10 mm) nella posizione ① per fissare entrambi i lati dell'unità.

#### 3. Rimuovere i piedini (×4) dalla base dell'unità.

Allentare le viti di fissaggio nella posizione ② e rimuoverle.

#### 4. Montare l'unità nel rack.

Fissare l'unità utilizzando le quattro viti fornite in dotazione (M5 × 11 mm) nella posizione ③.

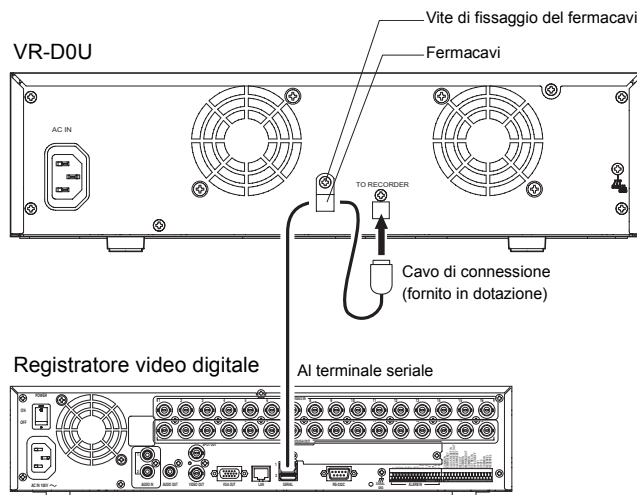
### Attenzione

- Non collocare alcun oggetto sopra un'unità installata in un rack. Questo per evitare lo sbilanciamento, il ribaltamento o la caduta del rack, e il conseguente danneggiamento dell'unità.
- Se si installano due o più unità in un rack, lasciare tra le unità uno spazio pari alle dimensioni di un'unità.

### Collegamento del registratore video digitale

Prima di collegare tra di loro il DVR e l'unità principale, accertare che entrambi siano spenti.

Per maggiori informazioni sull'impostazione e il funzionamento del DVR da collegare a questa unità, fare riferimento alle istruzioni per l'uso del DVR.



#### 1. Collegare l'unità e il DVR.

Effettuare la connessione utilizzando il cavo fornito in dotazione.

#### 2. Fissare il cavo di connessione.

Assicurarsi di fissare il fermacavi (per evitare lo scollegamento accidentale del cavo).

① Allentare la vite di fissaggio del fermacavi, quindi rimuovere il fermacavi.

② Infilare il cavo di connessione nel fermacavi, quindi fissare il fermacavi all'unità.

#### 3. Collegare il cavo di alimentazione.

Collegare il cavo di alimentazione a una presa di corrente CC da 120 V - 240 V.

#### 4. Accendere l'unità.

#### 5. Accendere il DVR.

#### 6. Impostare opportunamente il DVR.

Effettuare le impostazioni attenendosi alle procedure riportate nelle istruzioni per l'uso del DVR.

### Nota

- Mai spegnere l'unità quando la spia HDD ACCESS è accesa.
- Accertare sempre che il DVR sia spento prima di accendere l'unità.
- Spegnerne sempre il DVR prima di spegnere l'unità. (La spia HDD ACCESS potrebbe rimanere accesa per circa 30 secondi dopo lo spegnimento del DVR. L'apparecchio potrebbe venire spento perché la comunicazione è terminata.)

## Specifiche tecniche

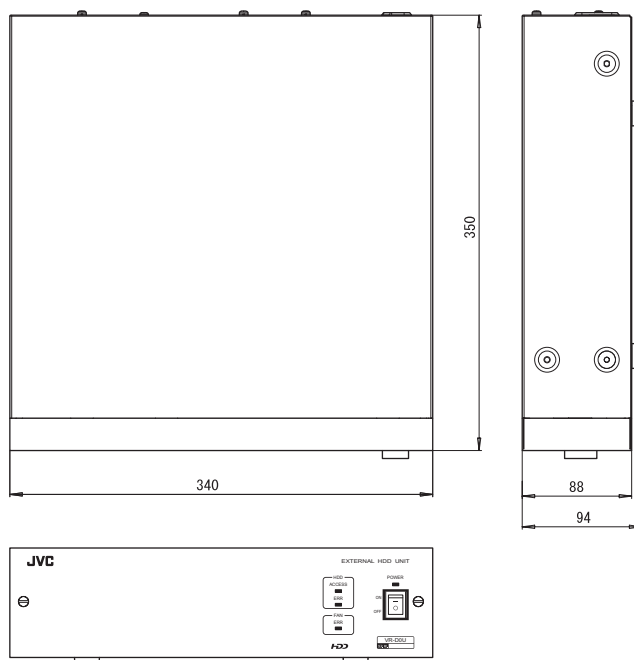
### Generalità

Capacità HDD	500 GB	1 TB	2 TB
Alimentazione	CC 120V - 240V, 50 Hz/60 Hz		
Temperatura di funzionamento consentita	5°C a 40°C		
Temperatura di conservazione consentita	-20°C a 60°C		
Umidità di funzionamento consentita	30% a 80%		
Peso	6,0 kg	7,5 kg	8,0 kg
Consumo elettrico	0,7 A (0,5 A)	0,7 A	0,7 A

### Accessori

Istruzioni	1
Cavo di alimentazione (per l'Europa continentale ecc.: 2,5 m)	2
Cavo di alimentazione (solo per il Regno Unito: 2 m)	1
Cavo di connessione (1 m)	1
Supporto per il montaggio in rack	2
Viti di fissaggio del supporto di montaggio in rack (M4 × 10 mm)	4
Viti di montaggio in rack (M5 × 11 mm)	4
Etichetta con la data di installazione	3

Dimensioni esterne (unità: mm)  
340 × 88 × 350 mm (L × H × P)



\* Le specifiche tecniche e l'aspetto esterno sono soggetti a modifiche senza preavviso.

## Materiali di consumo

La tabella che segue è un elenco dei materiali di consumo. Le competenze associate a tali ricambi e i costi di riparazione includono le tariffe tecniche e ufficiali di viaggio che vengono addebitate anche in garanzia.

Nome parte	Osservazioni
Unità Hard Disk (HDD)	Il periodo di sostituzione scade dopo 10 000 ore di utilizzo (circa un anno) oppure dopo un anno dalla data iniziale d'utilizzo.
Unità ventola	Il periodo di sostituzione scade dopo 30 000 ore di utilizzo (circa tre anni) oppure dopo tre anni dalla data iniziale d'utilizzo.

Ai fini della sostituzione e manutenzione delle forniture di consumo, utilizzare l'etichetta della Data di installazione acclusa. Riportare la data d'inizio dell'utilizzo nell'etichetta della Data di installazione ed applicarla all'apparecchio.



