



Service Manual / Manuel de Service

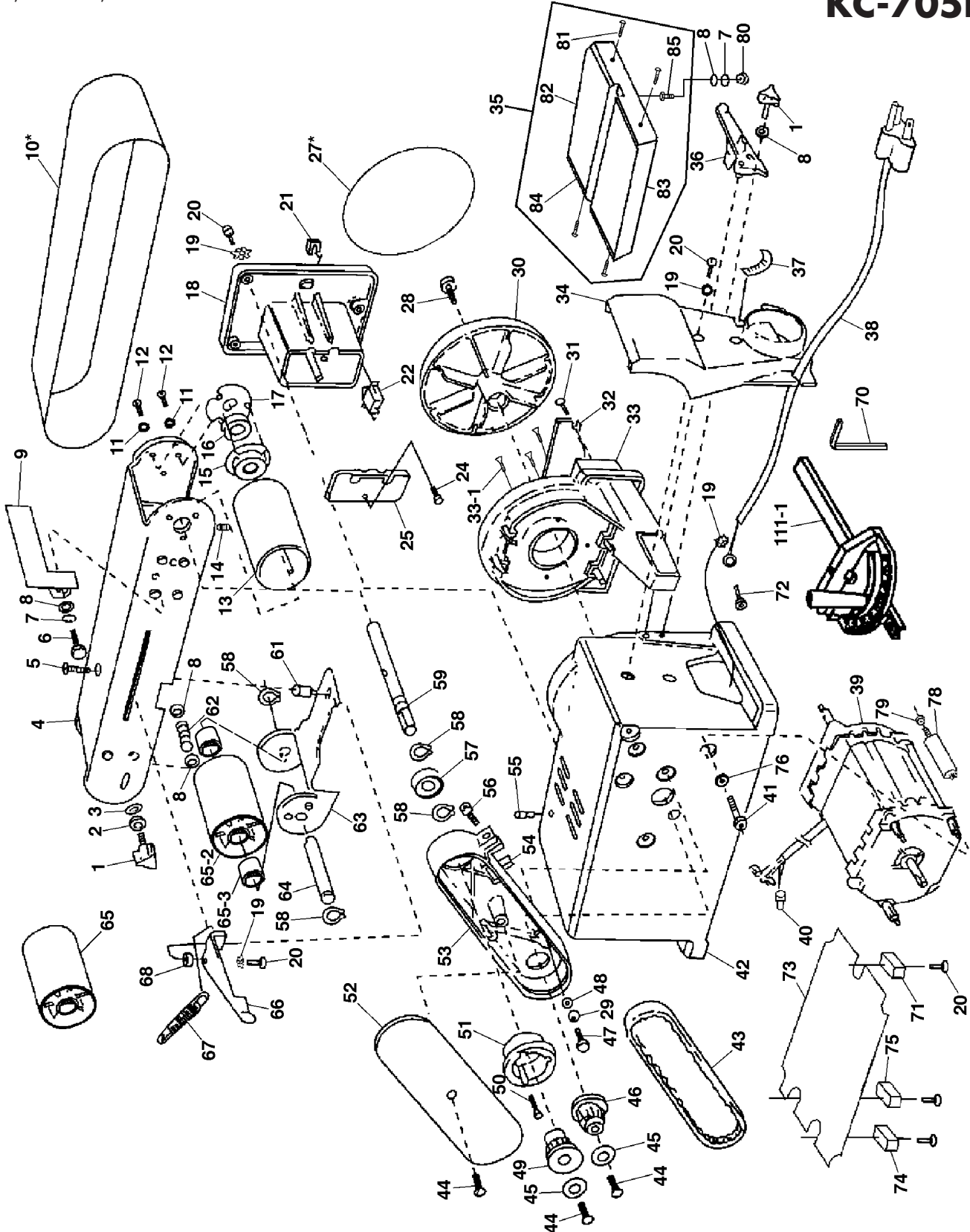
4" x 36" Belt Disc Sander

Ponceuse à Courroie et à Disque 4" x 36"



Revised/Revisé 08/2008

KC-705L-5





Parts Pricing List / Liste de Prix des Pièces

KC-705L-5

Diag.	Order # Com.	English Description	Description Française	Qty./Qté.	Price/Prix
1	4070500010	LOCK KNOB	BOUTON DE VERROUILLAGE	2	\$4.54
2	4070500020	RUBBER WASHER	RONDELLE EN CAOUTCHOUC	1	\$1.90
3	4070500030	NOTCHED WASHER	RONDELLE ENCOCHÉE	1	\$2.24
4	4070500040	BELT APRON	TABLIER DE LA COURROIE	1	\$45.94
5	4070500050	COUNTERSUNK SCREW	VIS A TÊTE FRAISÉE	1	\$2.13
6	4070500060	HEX. BOLT	BOULON HEXAGONAL	1	\$1.61
7	4070500070	TOOTH WASHER	RONDELLE DENTELEE	4	\$1.73
8	4070500080	WASHER	RONDELLE	7	\$1.61
9	4070500090	BACKSTOP	SUPPORT ARRET	1	\$11.33
10	SB-436-K	SANDING BELT	COURROIE DE PONCAGE	1	-
11	4070500110	SPRING WASHER	RONDELLE A RESSORT	3	\$1.55
12	4070500120	PAN HD SCREW	VIS A TÊTE BOMBÉE	3	\$1.55
13	4070500130	DRIVE ROLLER	ROULEAU D'ENTRAINEMENT	1	\$26.28
14	4070500140	SET SCREW	VIS SANS TÊTE	1	\$1.55
15	4070500150	BEARING CAP	CAPUCHON DU ROULEMENT	1	\$6.04
16	4070500160	BALL BEARING	ROULEMENT A BILLES	1	\$13.74
17	4070500170	BEARING COVER	COUVERCLE DU ROULEMENT	1	\$5.00
18	4070500180	SWITCH BOX	BOITE DE L'INTERRUPTEUR	1	\$9.83
19	4070500190	TOOTH WASHER	RONDELLE DENTELEE	7	\$1.67
20	4070500200	PAN HD SCREW	VIS A TÊTE BOMBÉE	9	\$1.67
21	4070500210	SWITCH KEY	CLE DE SECURITE	1	\$2.82
22	4070500220	SWITCH	INTERRUPTEUR	1	\$12.59
24	4070500240	TAPPING SCREW	VIS AUTOTARAUEUSE	1	\$2.13
25	4070500250	SWITCH BOX COVER	COUVERCLE	1	\$4.20
27	SD-6-K	SANDING DISC	DISQUE DE PONCAGE	1	-
28	4070500280	CAP SCREW	BOULON A TÊTE CYLINDRIQUE	1	\$1.73
29	4070500290	TOOTH WASHER	RONDELLE DENTELEE	3	\$1.73
30	4070500300	6" DISC	DISQUE 6"	1	\$21.56
31	4070500310	TAPPING SCREW	VIS AUTOTARAUEUSE	2	\$1.67
32	4070500320	DISC GUARD	PROTECTEUR DU DISQUE	1	\$9.14
33	4070500330	DISC HOUSING	BOITIER DU DISQUE	1	\$18.11
33-1	4070500331	COUNTERSUNK HD SCREW	VIS A TÊTE FRAISÉE	3	\$1.78
34	4070500340	DUST COLLECTOR PORT	SORTIE DE POUSSIERE	1	\$13.28
35	4070500350	TABLE ASSEMBLY	TABLE ASSEMBLEE	1	\$25.24
36	4070500360	TABLE SUPPORT	SUPPORT DE TABLE	1	\$7.30
37	4070500370	DEGREE SCALE	EHELLE DE DEGRES	1	\$3.74
38	4070500380	POWER CORD	CORDON D'ALIMENTATION	1	\$17.19
39	4070500390	MOTOR	MOTEUR	1	\$79.35
40	4070500400	WIRE CONNECTOR	CONNECTEUR POUR FIL	2	\$1.55
41	4070500410	HEX. BOLT	BOULON HEXAGONAL	3	\$1.67
42	4070500420	BASE	SOCLE	1	\$78.03
43	4070500430	DRIVE BELT	COURROIE D'ENTRAINEMENT	1	\$11.33
44	4070500440	COUNTERSUNK SCREW	VIS A TÊTE FRAISÉE	3	\$1.78
45	4070500450	SHOULDER WASHER	RONDELLE AVEC EPAULEMENT	2	\$2.13
46	4070500460	MOTOR PULLEY	POULIE DU MOTEUR	1	\$14.32
47	4070500470	PAN HD SCREW	VIS A TÊTE BOMBÉE	3	\$1.90
48	4070500480	WASHER	RONDELLE	3	\$1.55

Pricing subject to change without prior notice. / Prix sujet à changement sans préavis.



Parts Pricing List / Liste de Prix des Pièces

KC-705L-5

Diag.	Order # Com.	English Description	Description Française	Qty./Qté.	Price/Prix
49	4070500490	DRIVE PULLEY	POULIE D'ENTRAINEMENT	1	\$15.93
50	4070500500	COUNTERSUNK SCREW	VIS A TETE FRAISEE	1	\$2.01
51	4070500510	BEARING SUPPORT	SUPPORT DU ROULEMENT	1	\$10.29
52	4070500520	BELT COVER	COUVERCLE DU BOITIER	1	\$11.33
53	4070500530	BELT HOUSING	BOITIER DE LA COURROIE	1	\$22.71
54	4070500540	SQUARE NUT	ECROU CARRE	1	\$2.59
55	4070500550	RUBBER BUMPER	PARE-CHOC EN CAOUTCHOUC	1	\$2.47
56	4070500560	CAP SCREW	BOULON A TETE CYLINDRIQUE	1	\$1.90
57	4070500570	BALL BEARING	ROULEMENT A BILLES	1	\$13.74
58	4070500580	RETAINING RING/SHAFT	ANNEAU DE RETENU/TIGE	4	\$1.55
59	4070500590	DRIVE SHAFT	TIGE D'ENTRAINEMENT	1	\$19.95
61	4070500610	SPACER	ESPACEUR	1	\$3.28
62	4070500620	SPRING	RESSORT	1	\$2.70
63	4070500630	DRUM SUPPORT	SUPPORT DU TAMBOUR	1	\$17.65
64	4070500640	IDLER SHAFT	TIGE DU ROULEAU	1	\$18.00
65	4070500650	IDLER ROLLER W/BRASS BUSHINGS	ROULEAU DE TENSION A/MANCHONS	1	\$28.35
65-2	4070500652	IDLER ROLLER (NEEDLE BEARINGS)	ROULEAU DE TENSION (POUR ROUL.)	1	\$22.94
65-3	4070500653	NEEDLE BEARING	ROULEMENT A AIGUILLES	2	\$16.73
66	4070500660	TENSION LEVER	LEVIER DE TENSION	1	\$11.10
67	4070500670	TENSION SPRING	RESSORT DE TENSION	1	\$9.83
68	4070500680	LEVER SPACER	ESPACEUR DU LEVIER	1	\$4.43
70	4070500700	HEX. KEY (6MM)	CLE HEXAGONAL (6MM)	1	\$2.93
71	4070500710	RUBBER FOOT (LARGE)	PIED EN CAOUTCHOUC (LARGE)	1	\$3.74
72	4070500720	PAN HD SCREW	VIS A TETE BOMBEE	1	\$1.55
73	4070500730	BASE PLATE	PLAQUE DU SOCLE	1	\$10.75
74	4070500740	RUBBER FOOT (SMALL)	PIED EN CAOUTCHOUC (PETIT)	1	\$3.28
75	4070500750	RUBBER FOOT (MEDIUM)	PIED EN CAOUTCHOUC (MOYEN)	1	\$3.39
76	4070500760	SPRING WASHER	RONDELLE A RESSORT	3	\$1.55
78	4070500780	STARTING CAPACITOR	CONDENSATEUR DE DEMARRAGE	1	\$25.24
79	4070500790	HEX. NUT	ECROU HEXAGONAL	1	\$1.61
80	4070500800	TOOTH WASHER	RONDELLE DENTELLEE	3	\$1.78
81	4070500810	TAPPING SCREW (POINTED)	VIS AUTOTARAUDEUSE (POINTUE)	4	\$1.55
82	4070500820	TABLE TOP	DESSUS DE TABLE	1	\$10.29
83	4070500830	PLASTIC TABLE BORDER & SUPPORT	BORDURE & SUPPORT/TABLE EN PLAS.	1	\$7.99
84	4070500840	PLASTIC TABLE BORDER	BORDURE DE TABLE EN PLASTIQUE	1	\$6.84
85	4070500850	HEX. BOLT	BOULON HEXAGONAL	3	\$1.67
111-1	4070501111	MITER GAUGE ASS'Y	GUIDE A ONGLETS COMPLET	1	\$16.04
	407050MBIL	BILINGUAL MANUAL KC-705L-5	MANUEL BILINGUE KC-705L-5	1	\$15.00