

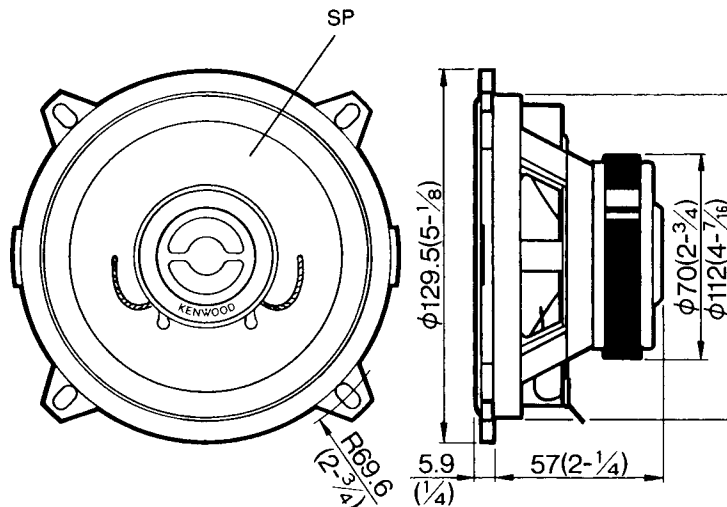
KFC-HQ132C

SERVICE MANUAL

KENWOOD

© 1993-11 PRINTED IN JAPAN
B51-6652-00 (4) 1650

EXTERNAL VIEW



UNIT : mm(inch)

PARTS LIST

*** New Parts**

Parts without Parts No. are not supplied.

Les articles non mentionnés dans le Parts No. ne sont pas fournis.

Teile ohne Parts No. werden nicht geliefert.

Ref No.	New Parts	Parts No.	Description
①~⑥	*	N99-1255-08	SCREW SET
⑦		J19-3888-08	GASKET
⑧		E30-5137-08	CORD SET
SP	*	T15-0264-08	SPEAKER

SPECIFICATIONS

Speakers	
Woofer	130mm(5in) Injection P.P. Cone Type 150g(5.3oz) Magnet
Tweeter	25mm(1in) P.I. Film Balanced Dome Type
Peak Power	60Watts
Frequency Response	40Hz~30,000Hz
Sensitivity	89dB/W at 1m
Impedance	4 Ohms
Net Weight	1,140g(2.5lb)/Pair

KENWOOD follows a policy of continuous advancements in development. For this reason specification may be

PARTS INCLUDED

- | | | | |
|---|------------------------------------------------------------|---|--------------------------------|
| ① | $\phi 4 \times 20(\frac{3}{4} \times \frac{3}{4})$x8 | ⑤ | $\phi 4(\frac{3}{16})$x8 |
| ② | M3(M $\frac{1}{16}$).....x8 | ⑥ | $\phi 4(\frac{3}{16})$x8 |
| ③ | M3(M $\frac{1}{16}$).....x8 | ⑦ |x2 |
| ④ | M3(M $\frac{1}{16}$).....x8 | ⑧ | 4.5m(15ft) (O.F.C.).....x2 |

KENWOOD CORPORATION

Alive Mitake, 2-5, 1-chome Shibuya, Shibuya-ku, Tokyo 150, Japan
KENWOOD SERVICE CORPORATION
 P.O. BOX 22745, 2201 East Dominguez St., Long Beach, CA 90801-5745, U.S.A.
KENWOOD ELECTRONICS CANADA INC.
 6070 Kestrel Road, Mississauga, Ontario, Canada L5T 1S8
KENWOOD ELECTRONICS LATIN AMERICA S.A.
 P.O. BOX 55-2791, Piso 6 Plaza Chase, Cl. 47 y Aquilino de la Guardia, Panama, Republic de Panama
TRIO-KENWOOD U.K. LIMITED
 Kenwood House, Dwight Road, Watford, Herts, WD1 8EB, United Kingdom
KENWOOD ELECTRONICS BENELUX N.V.
 Mechelsesteenweg 418 B-1930 Zaventem, Belgium
KENWOOD ELECTRONICS DEUTSCHLAND GMBH
 Rembrücker Str. 15, 63150 Heusenstamm, Germany
TRIO-KENWOOD FRANCE S.A.
 13 Boulevard Ney, 75018 Paris, France
KENWOOD ELECTRONICS ITALIA S.p.A.
 Via G. Sirtori, 7/9 20129 Milano, Italy
KENWOOD ESPAÑA S.A.
 Bolivia, 239-08020 Barcelona, Spain
KENWOOD ELECTRONICS AUSTRALIA PTY. LTD. (A C N 001 499 074)
 PO BOX 504, 8 Figtree Drive, Australasia Centre, Homebush N.S.W. 2140, Australia
KENWOOD & LEE ELECTRONICS, LTD.
 Unit 3712-3724, Level 37 Tower 1, Metroplaza, 223 Hing Fong Road, Kwai Fong N.T. Hong Kong
KENWOOD ELECTRONICS SINGAPORE PTE LTD.
 No. 1 Genting Lane # 07-00, Singapore, 1334