

# SNAPPER™

## 2450 PSI Pressure Washer

### Illustrated Parts List



Snapper™ is a licensed trademark of Briggs & Stratton Power Products.

Snapper™ se usa abajo licencia a Briggs & Stratton Power Products.

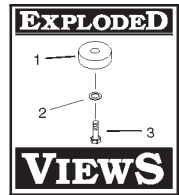
Questions? Help is just a moment away!

Preguntas? La ayuda es justa un momento lejos!

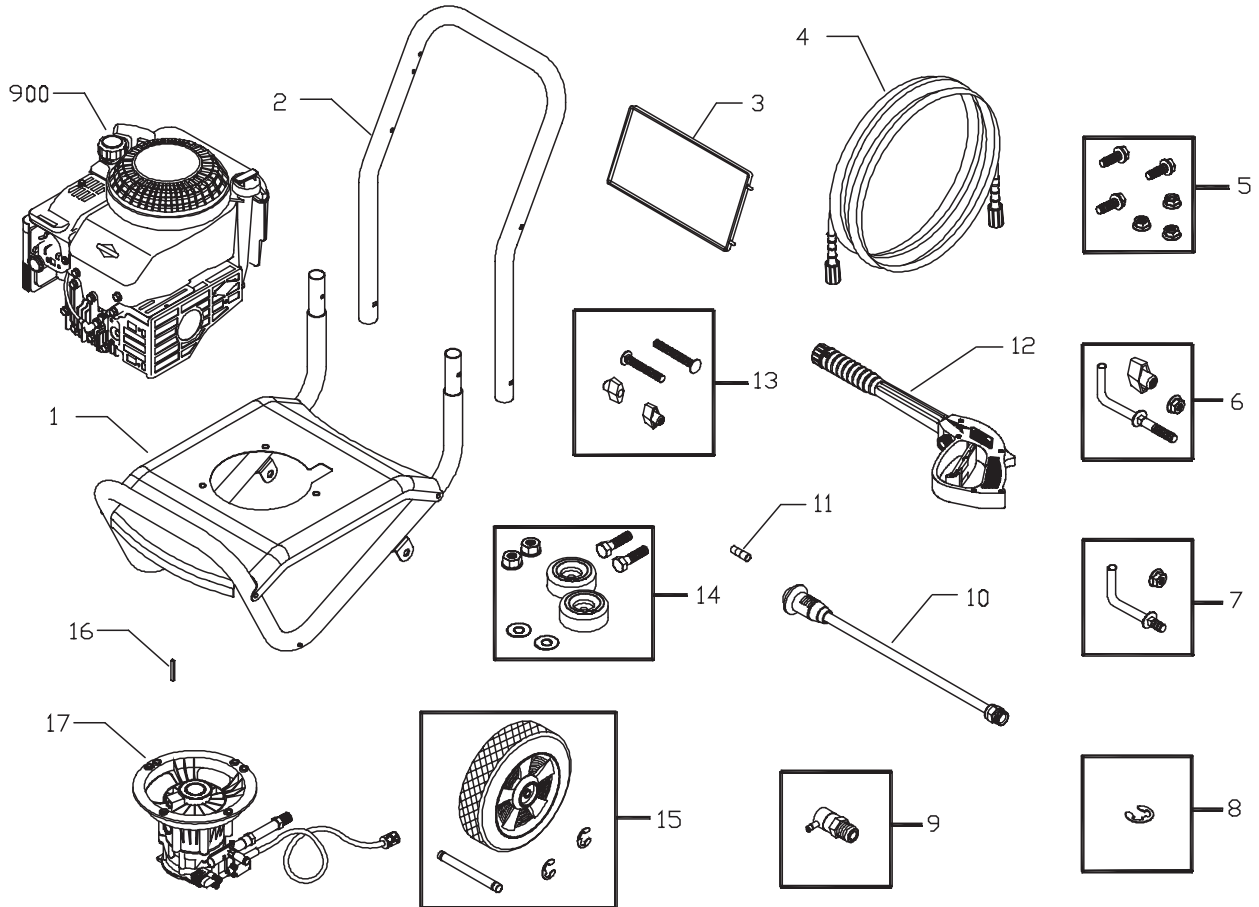
Call: **Pressure Washer Helpline - 1-800-317-7833** M-F 8-5 CT

Llame: **Línea Directa del Lavador a Presión - 1-800-317-7833** M-F 8-5 CT

**BRIGGS & STRATTON POWER PRODUCTS GROUP, LLC**  
**JEFFERSON, WISCONSIN, U.S.A.**



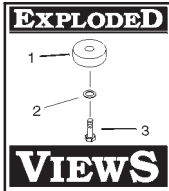
**EXPLODED VIEW AND PARTS LIST - MAIN UNIT**



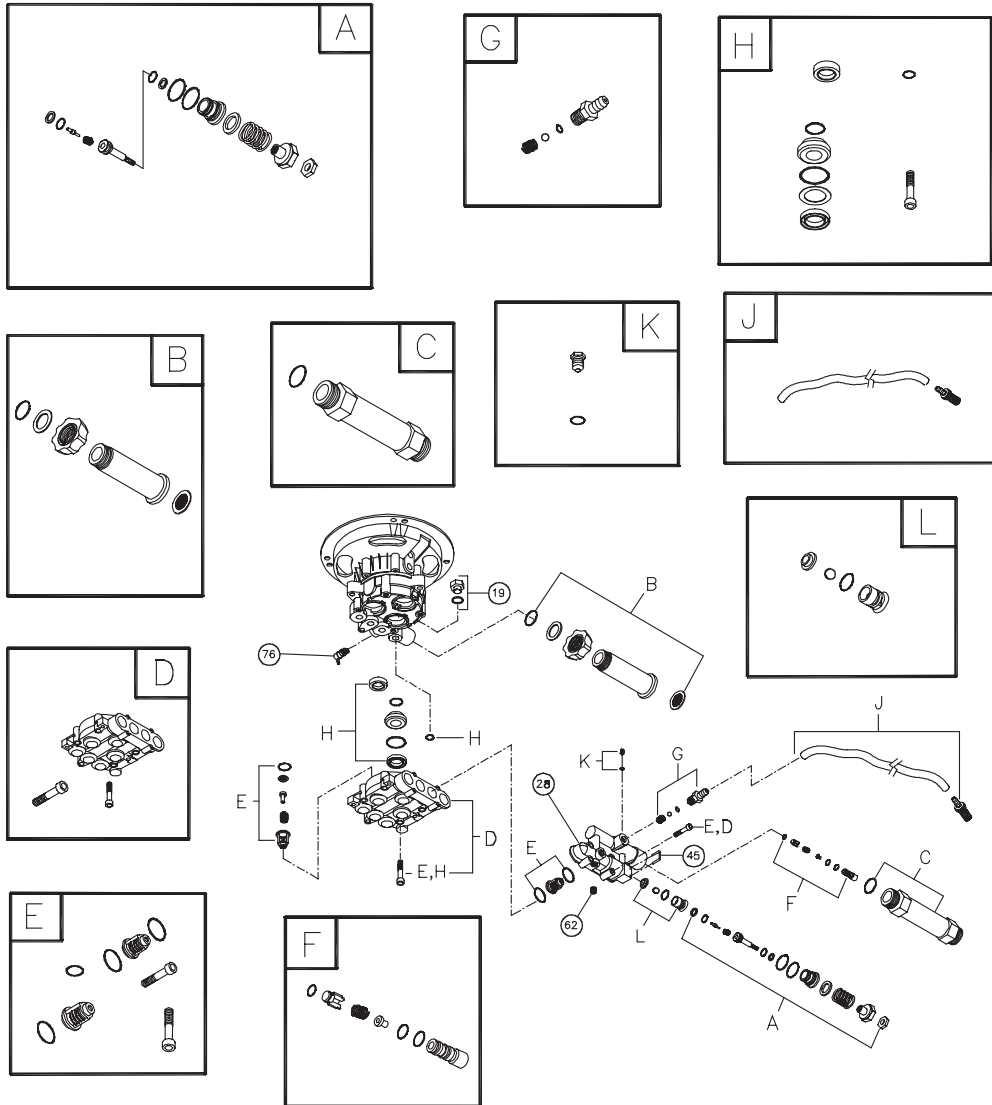
Item	Part #	Description	Item	Part #	Description
1	195339GS	ASSY, Base	10	188792HGS	WAND, Adjustable Nozzle
2	B194718GS	HANDLE	11	21760GS	ORIFICE
3	195802GS	ASSY, Billboard with Decal	12	193482GS	GUN
4	196006GS	HOSE	13	B2203GS	KIT, Handle Connector
5	192645GS	KIT, Pump Mounting Hardware	14	192310GS	KIT, Vibration Mount
6	194264GS	KIT, Hook, Handle	15	194255GS	KIT, Wheel
7	192309GS	KIT, Hook, Base	16	23139GS	KEY
8	192050GS	KIT, E-Ring	17	194216GS	ASSY, Pump (see page 3)
9	194298GS	VALVE, Thermal Relief	900	NSP	ENGINE

**Items Not Illustrated:**

Part #	Description
195806GS	MANUAL, Owners
MS6847	MANUAL, Engine
194256GS	KIT, Tag, Warning w/Clip
BB3061BGS	OIL, Engine



## EXPLODED VIEW AND PARTS LIST - PUMP



Item	Part #	Description
19	190571GS	CAP, Oil
28	190627GS	MANIFOLD
45	190578GS	PIN
62	190581GS	CAP, 1/8
76	194298GS	THERMAL RELIEF
77	190586GS	OIL BOTTLE (not shown)
A	190594GS	KIT, UNLOADER STEM
B	190632GS	KIT, WATER INLET, ALUM
C	190634GS	KIT, OUTLET, ALUM
D	193808GS	KIT, HEAD BRASS

Item	Part #	Description
E	193806GS	KIT, CHECK VALVES
F	190592GS	KIT, INLET CHECK
G	190593GS	KIT, CHEMICAL INJECTION
H	193807GS	KIT, SEAL SET
J	189971GS	KIT, CHEMICAL HOSE
K	193971GS	KIT, PIPE FITTING
L	193972GS	KIT, UNLOADER SEAT

**NOTE:** Item letters A - L are service kits and include all parts shown within the box.