

Service Manual / Manuel de Service



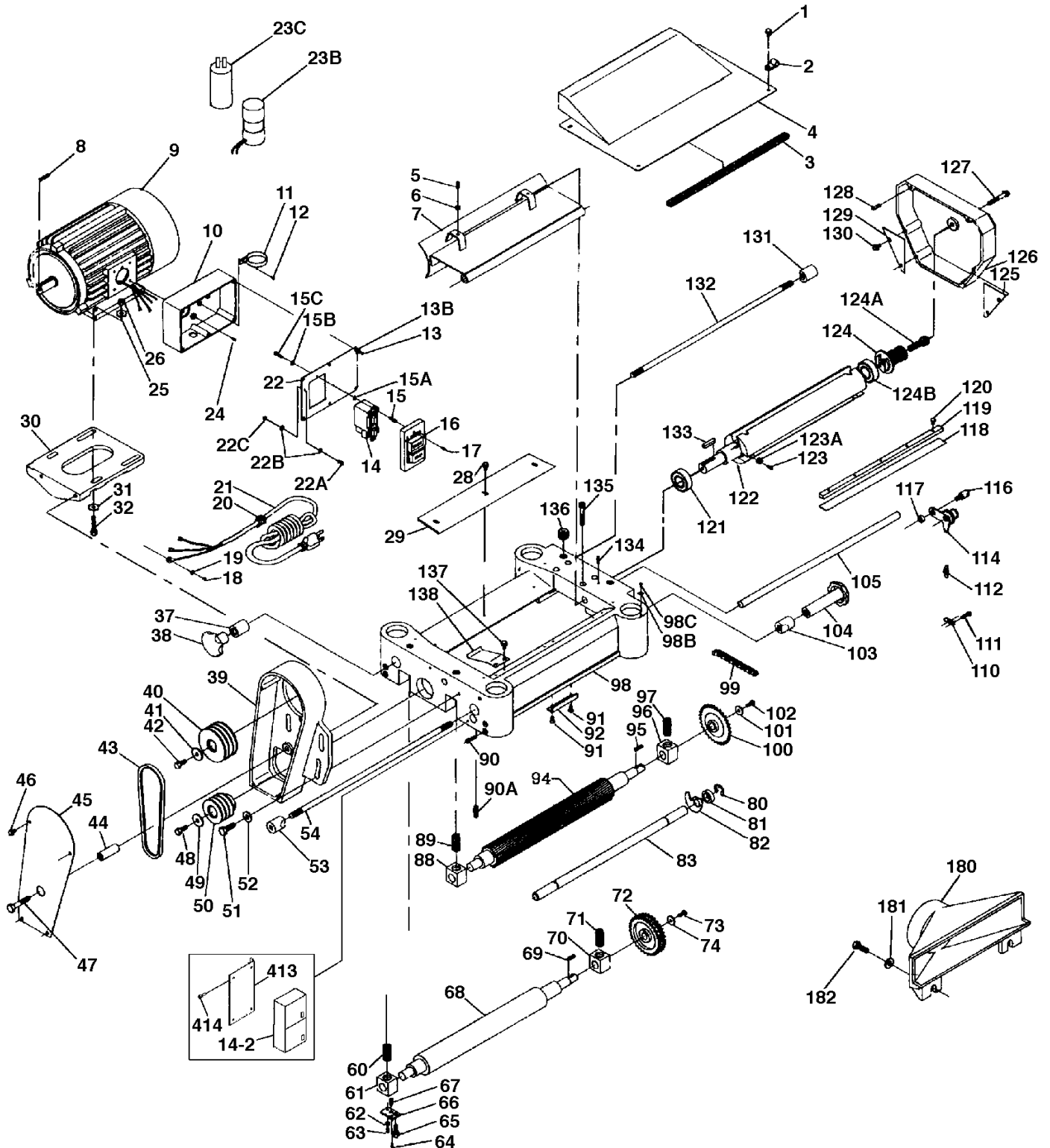
15" Planer Raboteuse 15"



Revised/Revisé 08/2008

Main Diagram / Diagramme Principale

KC-382C





Service Manual / Manuel de Service

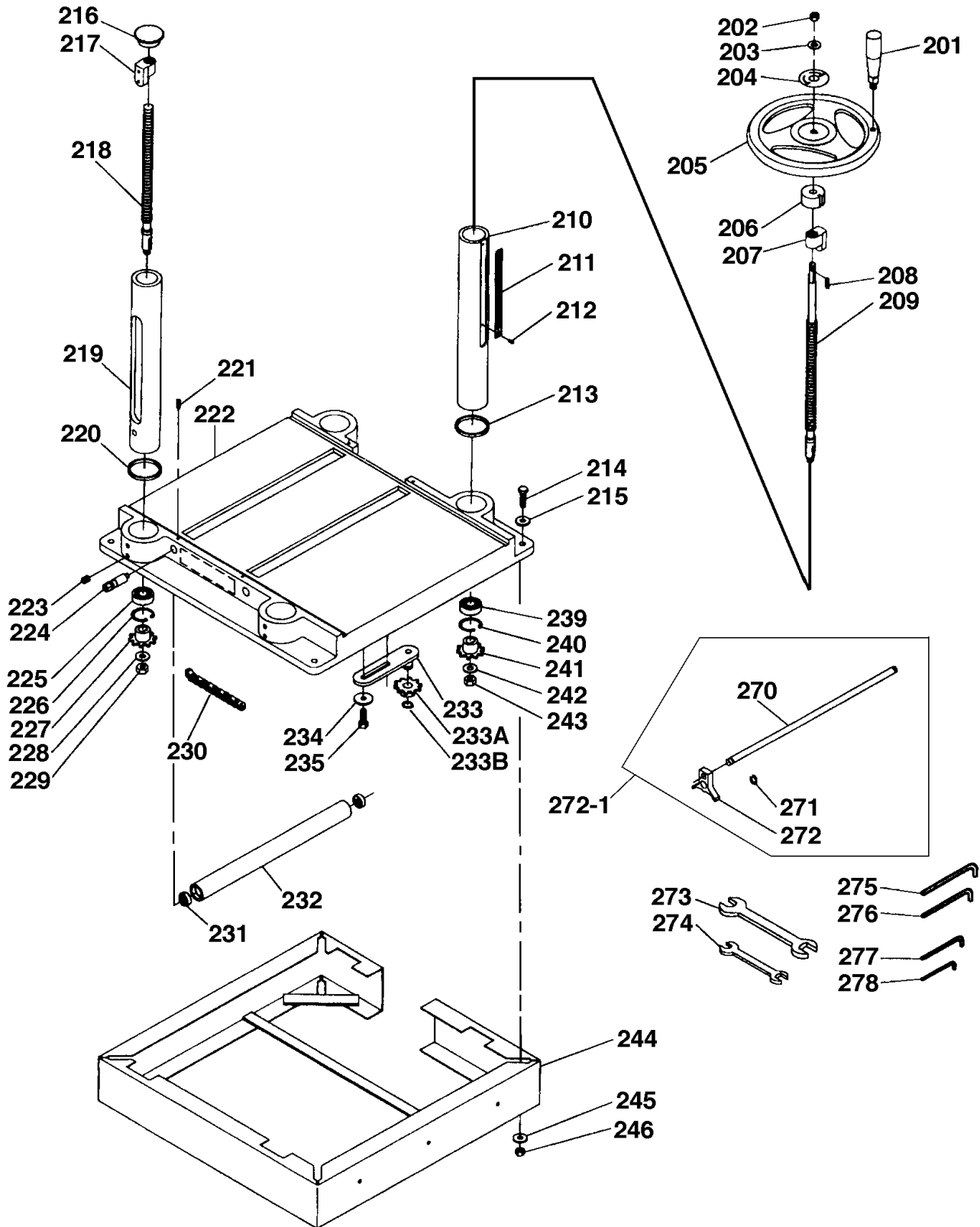
15" Planer Raboteuse 15"



Revised/Revisé 08/2008

Table Diagram / Diagramme de la Table

KC-382C





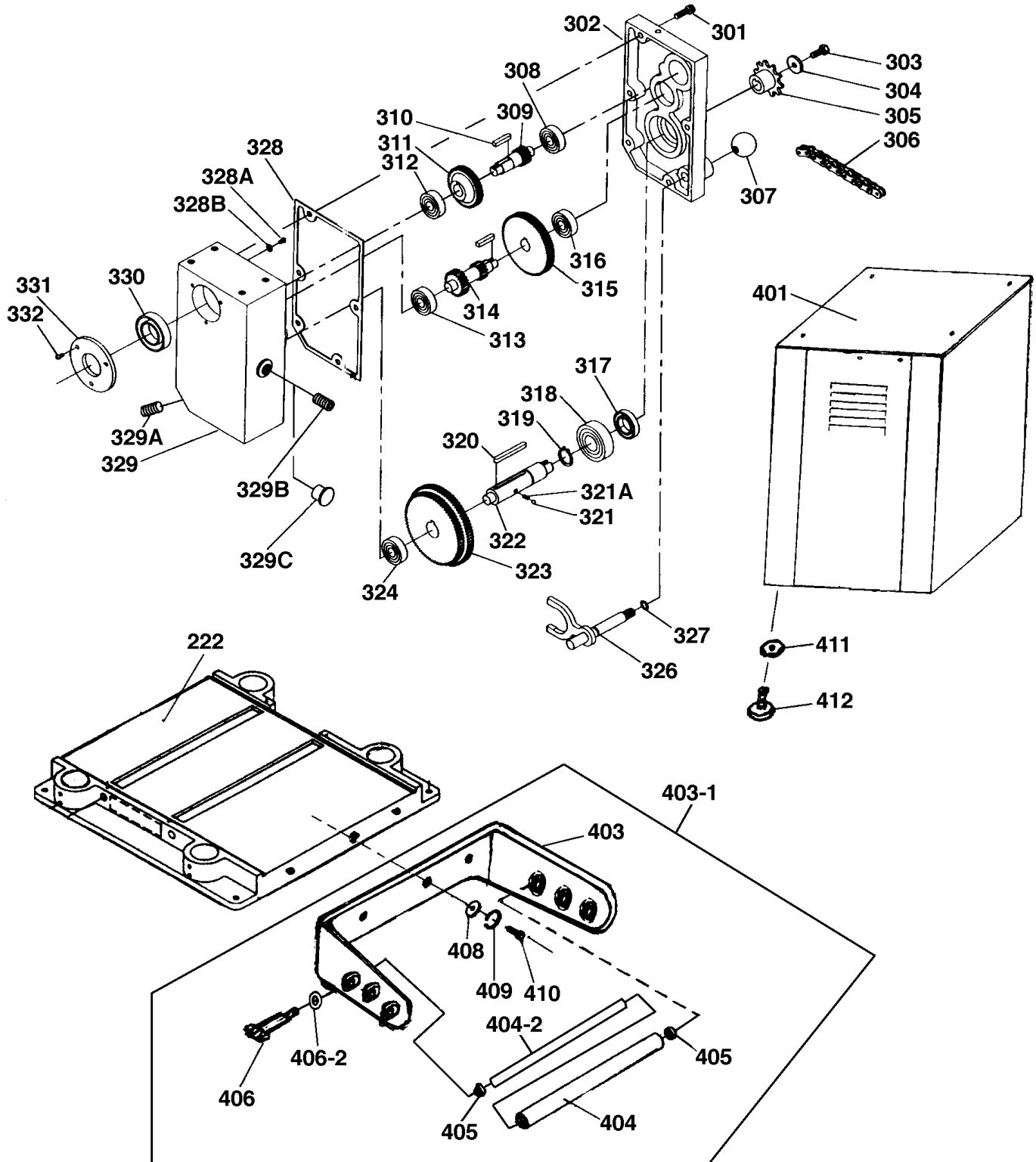
15" Planer Raboteuse 15"



Revised/Revisé 08/2008

Base & Gear Box Diagram / Diagramme de la Base et du Boîtier D'Engrenage

KC-382C





Parts Pricing List / Liste de Prix des Pièces **KC-382C**

Diag.	Order # Com.	English Description	Description Française	Qty./Qté.	Price/Prix
1	4503820010	FLANGE HD. BOLT	BOULON A BRIDE	4	\$1.55
2	4503820020	CORD CLAMP	ATTACHE-CORDON	1	\$2.24
3	4503820030	FOAM SEAL	JOINT D'ETAINCHEITE EN MOUSSE	1	\$4.08
4	4503820040	CUTTERHEAD COVER	COUVERCLE TETE DE COUPE	1	\$52.61
5	4503820050	SET SCREW	VIS SANS TETE	2	\$1.78
6	4503820060	HEX. NUT	ECROU HEXAGONAL	2	\$1.61
7	4503820070	CHIP BREAKER	DEFLECTEUR DES COPEAUX	1	\$61.93
8	4503820080	KEY	CLE DE RETENUE	1	\$2.01
9	4503820090	MOTOR (3HP-15A-220V)	MOTEUR (3CV-15A-220V)	1	\$539.35
10	4503820100	SWITCH BOX	BOITE DE L'INTERRUPTEUR	1	\$9.95
11	4503820110	CAPACITOR CLAMP	COLLET DU CONDESATEUR	2	\$2.70
12	4503820120	PAN HD. SCREW	VIS A TETE BOMBEE	2	\$1.50
13	4503820130	PAN HD. SCREW	VIS A TETE BOMBEE	6	\$1.55
13B	4503820132	TOOTH WASHER	RONDELLE DENTELEE	6	\$1.50
14	4503820140	THIN BUTTON START-STOP SWITCH	INTERRUPTEUR A BOUTON ETROIT	1	\$34.44
14-2	4503820142	MAG. SWITCH (220V-17.5AMP)	INTERRUPTEUR MAGNETIQUE	1	\$251.68
15	4503820150	SPACER	ESPACEUR	2	\$2.13
15A	4503820151	HEX. NUT	ECROU HEXAGONAL	2	\$1.55
15B	4503820152	TOOTH WASHER	RONDELLE DENTELEE	2	\$1.55
15C	4503820153	PAN HD. SCREW	VIS A TETE BOMBEE	2	\$1.55
16	4503820160	THIN HOLE SQ. BUT. SW. COVER	PLAQUE D'INTERR. BOUTON CARRE	1	\$18.34
17	4503820170	ROUND HD. SCREW	VIS A TETE RONDE	2	\$1.55
18	4503820180	PAN HD. SCREW	VIS A TETE BOMBEE	1	\$1.67
19	4503820190	TOOTH WASHER	RONDELLE DENTELEE	1	\$1.67
20	4503820200	STRAIN RELIEF	ATTACHE-CORDON	1	\$2.70
21	4503820210	POWER CORD	CORDON D'ALIMENTATION	1	\$22.94
22	4503820220	SWITCH PLATE	PLAQUE DE L'INTERRUPTEUR	1	\$9.60
22A	4503820221	PAN HD. SCREW	VIS	1	\$1.67
22B	4503820222	TOOTH WASHER	RONDELLE DENTELEE	1	\$1.55
22C	4503820223	HEX. NUT	ECROU HEXAGONAL	1	\$1.55
23B	4503820232	STARTING CAPACITOR	CONDENSATEUR DE DEMARRAGE	1	\$28.69
23C	4503820233	RUNNING CAPACITOR	CONDENSATEUR D'OPERATION	1	\$17.19
24	4503820240	PAN HD. SCREW	VIS A TETE BOMBEE	4	\$1.73
25	4503820250	WASHER	RONDELLE	4	\$1.55
26	4503820260	HEX. NUT	ECROU HEXAGONAL	4	\$1.61
28	4503820280	FLANGE HD. BOLT	BOULON A BRIDE	3	\$1.55
29	4503820290	CHIP DEFLECTOR	DEFLECTEUR DE COPEAUX	1	\$21.56
30	4503820300	MOTOR MOUNTING PLATE	PLAQUE DU MOTEUR	1	\$45.60
31	4503820310	WASHER	RONDELLE	4	\$1.55
32	4503820320	HEX HD. SCREW	BOULON HEXAGONAL	4	\$2.07
37	4503820370	LOCKING BUSHING	BAGUE DE VERROUILLAGE	1	\$5.35
38	4503820380	LOCKING KNOB (SHORT)	BOUTON DE VERR. (COURT)	1	\$9.60
39	4503820390	BELT & PULLEY GUARD	PROTECTEUR POULIES/COURROIES	1	\$57.33
40	4503820400	MOTOR PULLEY	POULIE DU MOTEUR	1	\$28.58
41	4503820410	PULLEY WASHER	RONDELLE DE LA POULIE	1	\$3.16
42	4503820420	HEX. BOLT	BOULON HEXAGONAL	1	\$1.78
43	4503820430	V-BELT (3L280)	COURROIE EN V (3L280)	3	\$9.95

Pricing subject to change without prior notice. / Prix sujet à changement sans préavis.



Parts Pricing List / Liste de Prix des Pièces KC-382C

Diag.	Order # Com.	English Description	Description Française	Qty./Qté.	Price/Prix
44	4503820440	SPACER BUSHING	BAGUE ESPACEUR	1	\$4.31
45	4503820450	BELT HOUSING COVER	COUVERCLE DU BOITIER	1	\$21.79
46	4503820460	FLANGE HD. BOLT	BOULON A BRIDE	4	\$1.55
47	4503820470	HEX HD. BOLT	BOULON HEXAGONAL	1	\$2.82
48	4503820480	HEX HD. BOLT	BOULON HEXAGONAL	1	\$1.84
49	4503820490	PULLEY WASHER	RONDELLE DE LA POULIE	1	\$3.16
50	4503820500	CUTTERHEAD PULLEY	POULIE DE TETE DE COUPE	1	\$22.94
51	4503820510	HEX HD. BOLT	BOULON HEXAGONAL	4	\$1.90
52	4503820520	WASHER	RONDELLE	4	\$1.67
53	4503820530	THREADED LOCKING BUSHING	BAGUE DE VERROUILLAGE FILETEE	1	\$5.69
54	4503820540	LOCKING ROD	TIGE DE VERROUILLAGE	1	\$16.85
60	4503820600	ROLLER SPRING	RESSORT DES ROULEAUX	1	\$4.54
61	4503820610	ROLLER BUSHING	SUPPORT DES ROULEAUX	1	\$12.59
62	4503820620	HEX. NUT	ECROU HEXAGONAL	4	\$1.55
63	4503820630	SET SCREW	VIS SANS TETE	4	\$1.73
64	4503820640	SPRING PIN	GOUPILLE A RESSORT	4	\$1.67
65	4503820650	HEX HD. BOLT	BOULON HEXAGONAL	4	\$1.67
66	4503820660	SUPPORT PLATE	PLAQUE DE SOUTIEN	4	\$3.74
67	4503820670	SPRING PIN	GOUPILLE A RESSORT	4	\$1.78
68	4503820680	15" OUTFEED ROLLER	ROULEAU DE SORTIE 15"	1	\$125.35
69	4503820690	KEY	CLE DE RETENUE	1	\$1.96
70	4503820700	ROLLER BUSHING	SUPPORT DES ROULEAUX	1	\$12.59
71	4503820710	ROLLER SPRING	RESSORT DES ROULEAUX	1	\$4.54
72	4503820720	DOUBLE CHAIN SPROCKET	ENGRENAGE DOUBLE A PIGNON	1	\$38.93
73	4503820730	HEX HD. BOLT	BOULON HEXAGONAL	1	\$1.67
74	4503820740	SPECIAL WASHER	RONDELLE SPECIALE	1	\$1.90
80	4503820800	"E" RETAINING RING	ANNEAU DE RETENUE "E"	2	\$2.01
81	4503820810	SPACER	ESPACEUR	30	\$2.70
82	4503820820	ANTI-KICKBACK FINGER	DOIGT ANTI-RETOUR	29	\$4.54
83	4503820830	ANTI-KICKBACK SHAFT	TIGE DES DOIGTS ANTI-RETOUR	1	\$19.15
88	4503820880	ROLLER BUSHING	SUPPORT DES ROULEAUX	1	\$12.59
89	4503820890	ROLLER SPRING	RESSORT DES ROULEAUX	1	\$4.54
90	4503820900	CAP SCREW	BOULON A TETE CYLINDRIQUE	1	\$2.47
90A	4503820901	SET SCREW	VIS SANS TETE	1	\$2.13
91	4503820910	COUNTERSUNK HD. SCREW	VIS FRAISER	2	\$1.55
92	4503820920	CUT LIMITER PLATE	PLAQUE DE LIMITE DE COUPE	1	\$4.31
94	4503820940	15" INFEEED ROLLER	ROULEAU D'ALIMENTATION 15"	1	\$148.35
95	4503820950	KEY	CLE DE RETENUE	1	\$1.96
96	4503820960	ROLLER BUSHING	SUPPORT DES ROULEAUX	1	\$12.59
97	4503820970	ROLLER SPRING	RESSORT DES ROULEAUX	8	\$4.54
98	4503820980	HEAD CASTING (SPECIAL ORDER)	TETE DE COUPE (SPECIALE)	1	\$454.25
98B	4503820982	POINTER	INDICATEUR	1	\$2.59
98C	4503820983	RIVET	RIVET	1	\$2.01
99	4503820990	FEED CHAIN	CHAINE D'ENTRAINEMENT	1	\$25.13
100	4503821000	CHAIN SPROCKET	ENGRENAGE A PIGNON	1	\$38.93
101	4503821010	SPECIAL WASHER	RONDELLE SPECIALE	1	\$1.90
102	4503821020	HEX HD. BOLT	BOULON HEXAGONAL	1	\$1.67

Pricing subject to change without prior notice. / Prix sujet à changement sans préavis.



Parts Pricing List / Liste de Prix des Pièces **KC-382C**

Diag.	Order # Com.	English Description	Description Française	Qty./Qté.	Price/Prix
103	4503821030	LOCKING BUSHING	BAGUE DE VERROUILLAGE	1	\$5.35
104	4503821040	LOCKING KNOB (LONG)	BOUTON DE VERROUILLAGE (LONG)	1	\$11.33
105	4503821050	CHIP BREAKER SHAFT	TIGE DU DEFLECTEUR	1	\$15.58
110	4503821100	HANGER	CROCHET	1	\$4.20
111	4503821110	CAP SCREW	BOULON A TETE CYLINDRIQUE	2	\$1.67
112	4503821120	SPRING	RESSORT	1	\$3.39
114	4503821140	IDLER PULLEY ASS'Y	POULIE DE TENSION ASSEMBLE	1	\$16.04
116	4503821160	THREADED SHAFT	TIGE VISSEE	1	\$6.15
117	4503821170	COLLAR	COLLET	1	\$2.70
118	KKC-15	SET OF H.S.S. KNIVES (3)	JEU DE COUTEAUX EN ACIER (3)	1	-
119	4503821190	KNIFE LOCKING BAR	BAR DE VERR. DES COUTEAUX	3	\$17.08
120	4503821200	KNIFE LOCKING SCREW	BOULON DE VERROUILLAGE	15	\$2.70
121	4503821210	BALL BEARING	ROULEMENT A BILLES	1	\$19.49
122	4503821220	CUTTERHEAD	TETE DE COUPE	1	\$270.25
123	4503821230	ADJUSTING SCREW	VIS D'AJUSTEMENT	6	\$1.78
123A	4503821231	KNIFE LIFTER SLEEVE	BAGUE D'ELEVATION POUR COUTEAU	6	\$3.16
124	4503821240	HELICAL GEAR	ENGRENAGE HELICOIDAL	1	\$21.56
124A	4503821241	CAP SCREW	BOULON A TETE CYLINDRIQUE	1	\$2.70
124B	4503821242	BALL BEARING	ROULEMENT A BILLES	1	\$17.19
125	4503821250	SAFETY PLATE	PLAQUE DE SECURITE	1	\$6.21
126	4503821260	CHAIN GEAR COVER	COUVERCLE DES ENGRENAGES	1	\$57.33
127	4503821270	CAP SCREW	BOULON A TETE CYLINDRIQUE	1	\$2.93
128	4503821280	SPRING PIN	GOUPILLE A RESSORT	2	\$1.78
129	4503821290	SAFETY PLATE	PLAQUE DE SECURITE	1	\$6.21
130	4503821300	FLANGE HD. BOLT	BOULON A BRIDE	4	\$1.55
131	4503821310	THREADED LOCKING BUSHING	BAGUE DE VERROUILLAGE FILETEE	1	\$5.69
132	4503821320	LOCKING ROD	TIGE DE VERROUILLAGE	1	\$16.85
133	4503821330	KEY	CLE DE RETENUE	1	\$2.59
134	4503821340	SET SCREW	VIS SANS TETE	1	\$1.67
135	4503821350	CAP SCREW	BOULON A TETE CYLINDRIQUE	4	\$2.47
136	4503821360	SET SCREW	VIS SANS TETE	4	\$4.89
137	4503821370	FLANGE HD. SCREW	BOULON A BRIDE	6	\$1.55
138	4503821380	CHIP BREAKER SPRING	RESSORT DU DEFLECTEUR	3	\$4.43
180	4503821800	DUST HOOD COLLECTOR	COLLECTEUR DES COPEAUX	1	\$109.08
181	4503821810	WASHER	RONDELLE	2	\$1.55
182	4503821820	HEX HD. BOLT	BOULON HEXAGONAL	2	\$1.78
201	4503822010	WHEEL HANDLE	POIGNEE DE LA MANIVELLE	1	\$10.18
202	4503822020	HEX. NUT	ECROU HEXAGONAL	1	\$1.73
203	4503822030	WASHER	RONDELLE	1	\$1.67
204	4503822040	DIRECTIONAL PLATE	PLAQUE DIRECTIONELLE	1	\$2.13
205	4503822050	HAND WHEEL	MANIVELLE D'OPERATION	1	\$57.33
206	4503822060	BUSHING	BAGUE	1	\$5.69
207	4503822070	LEAD SCREW NUT (HANDWHEEL)	ECROU DE LA TIGE DE MANIVELLE	1	\$9.03
208	4503822080	KEY	CLE DE RETENUE	1	\$1.96
209	4503822090	HANDWHEEL LEAD SCREW	TIGE SANS FIN POUR MANIVELLE	1	\$45.60
210	4503822100	HANDWHEEL COLUMN	COLONNE DE LA MANIVELLE	1	\$78.95
211	4503822110	SCALE	ECELLE	1	\$4.54
212	4503822120	TAPPING SCREW	VIS AUTOTARAUDEUSE	2	\$1.55

Pricing subject to change without prior notice. / Prix sujet à changement sans préavis.



® Parts Pricing List / Liste de Prix des Pièces **KC-382C**

Diag.	Order # Com.	English Description	Description Française	Qty./Qté.	Price/Prix
213	4503822130	COLUMN SPACER	ESPACEUR DE COLONNE	1	\$4.31
214	4503822140	HEX HD. BOLT	BOULON HEXAGONAL	4	\$1.90
215	4503822150	WASHER	RONDELLE	4	\$1.73
216	4503822160	COLUMN CAP	CAPUCHON DE COLONNE	3	\$4.54
217	4503822170	LEAD SCREW NUT	ECROU DE LA TIGE	3	\$9.03
218	4503822180	SMALL LEAD SCREW	TIGE SANS FIN (COURTE)	3	\$43.53
219	4503822190	COLUMN	COLONNE	3	\$68.83
220	4503822200	COLUMN SPACER	ESPACEUR DE COLONNE	3	\$4.31
221	4503822210	SET SCREW	VIS SANS TETE	4	\$1.67
222	4503822220	TABLE/BASE (SPECIAL ORDER)	TABLE/SOCLE (COMMANDE SPECIALE)	1	\$401.35
223	4503822230	SET SCREW	VIS SANS TETE	8	\$2.01
224	4503822240	ECCENTRIC SHAFT	TIGE EXCENTRIQUE	4	\$10.98
225	4503822250	BALL BEARING	ROULEMENT A BILLES	3	\$13.74
226	4503822260	RETAINING RING/BORE	ANNEAU DE RETENUE/ALESAGE	3	\$1.90
227	4503822270	CHAIN SPROCKET	ENGRENAGE A PIGNON	3	\$16.85
228	4503822280	WASHER	RONDELLE	3	\$1.67
229	4503822290	HEX. NUT	ECROU HEXAGONAL	3	\$1.73
230	4503822300	CHAIN	CHAINE	1	\$44.56
231	4503822310	BALL BEARING	ROULEMENT A BILLES	4	\$13.74
232	4503822320	TABLE ROLLER	ROULEAU DE LA TABLE	2	\$27.20
233	4503822330	SPROCKET BRACKET	SUPPORT DE L'ENGRENAGE	1	\$6.84
233A	4503822331	CHAIN SPROCKET	ENGRENAGE A PIGNON	1	\$15.93
233B	4503822332	RETAINING RING/SHAFT	ANNEAU DE RETENU/TIGE	1	\$1.55
234	4503822340	WASHER	RONDELLE	2	\$1.67
235	4503822350	HEX. BOLT	BOULON HEXAGONAL	2	\$1.84
239	4503822390	BALL BEARING	ROULEMENT A BILLES	1	\$11.44
240	4503822400	RETAINING RING/BORE	ANNEAU RETENU/ALESAGE	1	\$1.90
241	4503822410	CHAIN SPROCKET	ENGRENAGE A PIGNON	1	\$16.85
242	4503822420	WASHER	RONDELLE	1	\$1.67
243	4503822430	HEX. NUT	ECROU HEXAGONAL	1	\$1.73
244	4503822440	FRAME	CHASSIS	1	\$103.33
245	4503822450	WASHER	RONDELLE	4	\$1.73
246	4503822460	HEX. NUT	ECROU HEXAGONAL	4	\$1.61
270	4503822700	KNIFE GAUGE BAR	TIGE DES JAUGES A COUTEAUX	1	\$11.10
271	4503822710	"E" RETAINING RING	ANNEAU DE RETENUE "E"	2	\$1.55
272	4503822720	KNIFE GAUGE	JAUGE A COUTEAUX	2	\$10.18
272-1	4503822721	COMPLETE KNIFE GAUGE ASS'Y	JAUGE A COUTEAUX COMP. ASS'Y	1	\$34.44
273	4503822730	OPEN END WRENCH 14-17	CLE OUVERTE 14-17MM	1	\$6.15
274	4503822740	OPEN END WRENCH 10-12	CLE OUVERTE 10-12MM	1	\$4.43
275	4503822750	ALLEN KEY 6MM	CLE HEXAGONALE 6MM	1	\$2.93
276	4503822760	ALLEN KEY 5MM	CLE HEXAGONALE 5MM	1	\$2.82
277	4503822770	ALLEN KEY 3MM	CLE HEXAGONALE 3MM	1	\$2.59
278	4503822780	ALLEN KEY 2.5MM	CLE HEXAGONAL 2.5MM	1	\$3.39
301	4503823010	CAP SCREW	BOULON A TETE CYLINDRIQUE	5	\$2.47
302	4503823020	GEAR BOX COVER	COUVERCLE DU BOITIER D'ENG.	1	\$67.68
303	4503823030	HEX HD. BOLT	BOULON HEXAGONAL	1	\$1.67
304	4503823040	WASHER	RONDELLE	1	\$1.67
305	4503823050	CHAIN SPROCKET	ENGRENAGE A PIGNON	1	\$17.08

Pricing subject to change without prior notice. / Prix sujet à changement sans préavis.



® Parts Pricing List / Liste de Prix des Pièces **KC-382C**

Diag.	Order # Com.	English Description	Description Française	Qty./Qté.	Price/Prix
306	4503823060	DRIVE CHAIN	CHAINE D'ENTRAINEMENT	1	\$17.19
307	4503823070	SPEED SHAFT KNOB	BOUTON DE LA TIGE DES VITESSES	1	\$3.39
308	4503823080	BALL BEARING	ROULEMENT A BILLES	1	\$11.10
309	4503823090	SINGLE GEARED SHAFT	TIGE D'ENGRENAGE SIMPLE	1	\$20.64
310	4503823100	KEY	CLE DE RETENUE	2	\$1.78
311	4503823110	GEAR	ENGRENAGE	1	\$33.75
312	4503823120	BALL BEARING	ROULEMENT A BILLES	1	\$11.10
313	4503823130	BALL BEARING	ROULEMENT A BILLES	1	\$11.10
314	4503823140	DOUBLE GEARED SHAFT	TIGE D'ENGRENAGE DOUBLE	1	\$27.54
315	4503823150	GEAR	ENGRENAGE	1	\$34.33
316	4503823160	BALL BEARING	ROULEMENT A BILLES	1	\$11.10
317	4503823170	OIL SEAL	JOINT D'ETANCHEITE	1	\$13.63
318	4503823180	BALL BEARING	ROULEMENT A BILLES	1	\$22.94
319	4503823190	RETAINING RING/SHAFT	ANNEAU DE RETENUE/TIGE	1	\$1.67
320	4503823200	KEY	CLE DE RETENUE	1	\$2.24
321	4503823210	SPRING	RESSORT	1	\$2.70
321A	4503823211	STEEL BALL	BILLE EN ACIER	1	\$2.01
322	4503823220	SHAFT FOR GEAR	TIGE POUR ENGRENAGE	1	\$34.44
323	4503823230	DOUBLE GEAR ASS'Y	ENGRENAGE DOUBLE ASSEMBLE	1	\$103.39
324	4503823240	BALL BEARING	ROULEMENT A BILLES	1	\$11.10
326	4503823260	SPEED CHANGE FORK	FOURCHETTE/CHANG. DES VITESSE	1	\$27.31
327	4503823270	O-RING	ANNEAU D'ETANCHEITE	1	\$2.01
328	4503823280	GEAR BOX GASKET	JOINT D'ETANCHEITE DU BOITIER	1	\$10.06
328A	4503823281	PAN HD. SCREW	VIS A TETE BOMBEE	1	\$1.55
328B	4503823282	WASHER	RONDELLE	1	\$1.55
329	4503823290	GEAR BOX HOUSING	BOITIER DES L'ENGRENAGES	1	\$96.43
329A	4503823291	OIL DRAIN PLUG	BUCHON DE VIDANGE D'HUILE	1	\$3.39
329B	4503823292	OIL FILL PLUG	BUCHON DE REMPLISSAGE D'HUILE	1	\$3.39
329C	4503823293	OIL LEVER PLUG	OEIL DU NIVEAU D'HUILE	1	\$3.39
330	4503823300	OIL SEAL	JOINT D'ETANCHEITE	1	\$20.64
331	4503823310	OIL SEAL COVER	COUVERCLE DU JOINT D'ETANCHEITE	1	\$4.54
332	4503823320	PAN HD. SCREW	VIS A TETE BOMBEE	3	\$1.55
401	4503824010	CABINET STAND	SUPPORT CABINET	1	\$500.25
403	4503824030	ROLLER FRAME	SUPPORT DES ROULEAUX	1	\$39.04
403-1	4503824031	COMP. EXTENSION ROLLER ASS'Y	ENS. ROULEAU D'EXTENSION COM.	2	\$112.30
404	4503824040	ROLLER	ROULEAU	3	\$16.85
404-2	4503824042	ROLLER ROD	TIGE DES ROULEAUX	3	\$12.59
405	4503824050	ROLLER BUSHING	BAGUE DES ROULEAUX	6	\$3.05
406	4503824060	HEX. BOLT	BOULON HEXAGONALE	6	\$1.67
406-2	4503824062	WASHER	RONDELLE	6	\$1.61
408	4503824080	WASHER	RONDELLE	6	\$1.61
409	4503824090	SPRING WASHER	RONDELLE A RESSORT	6	\$1.67
410	4503824100	CAP SCREW	BOULON A TETE CYLINDRIQUE	6	\$1.84
411	4503824110	HEX. NUT	ECROU HEXAGONAL	4	\$1.73
412	4503824120	ADJUSTING FOOT	PIED D'AJUSTEMENT	4	\$3.74
413	4503824130	MOUNTING SWITCH PLATE	PLAQUE DE MONTAGE	1	\$11.10
414	4503824140	CAP SCREW	BOULON A TETE CYLINDRIQUE	2	\$1.73
	450382MBIL	BILINGUAL MANUAL KC-382C	MANUEL BILINGUE KC-382C	1	\$15.00