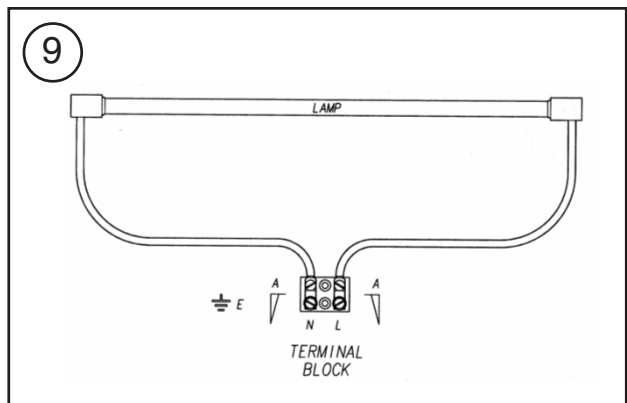
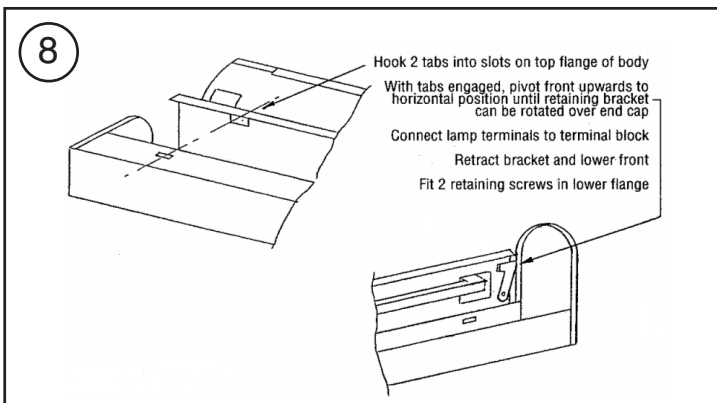
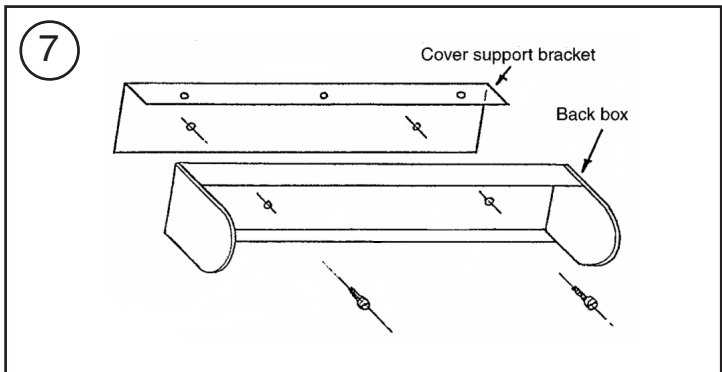
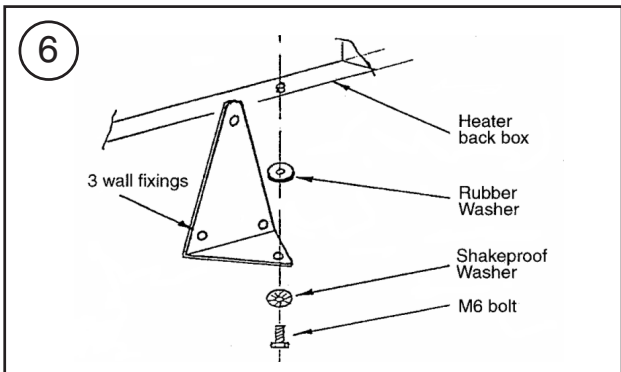
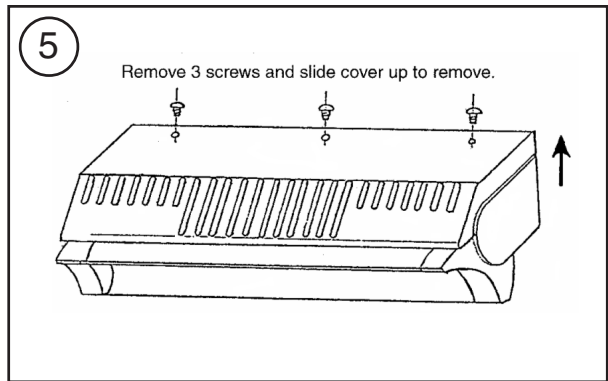
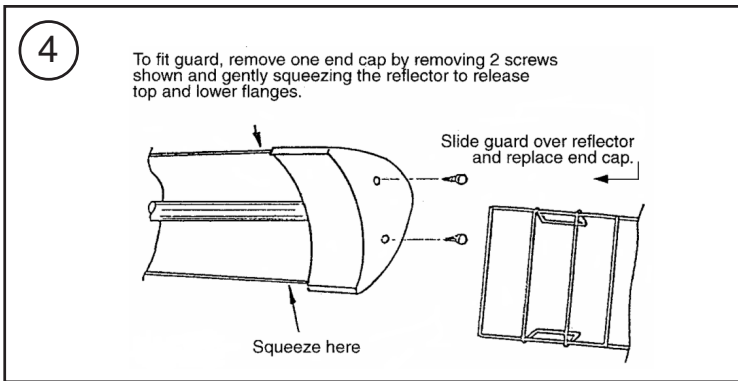
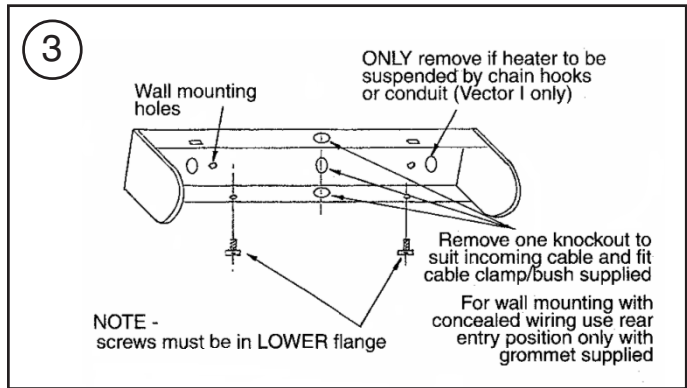
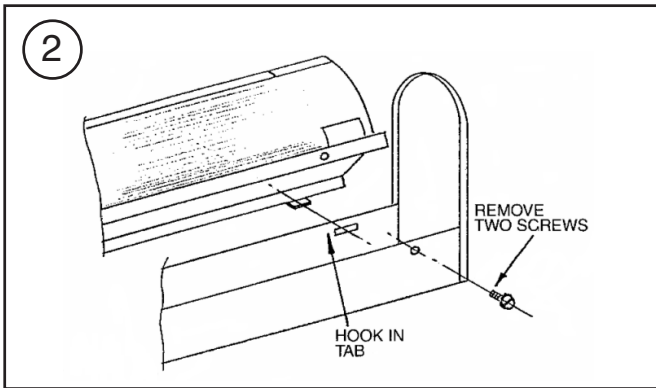
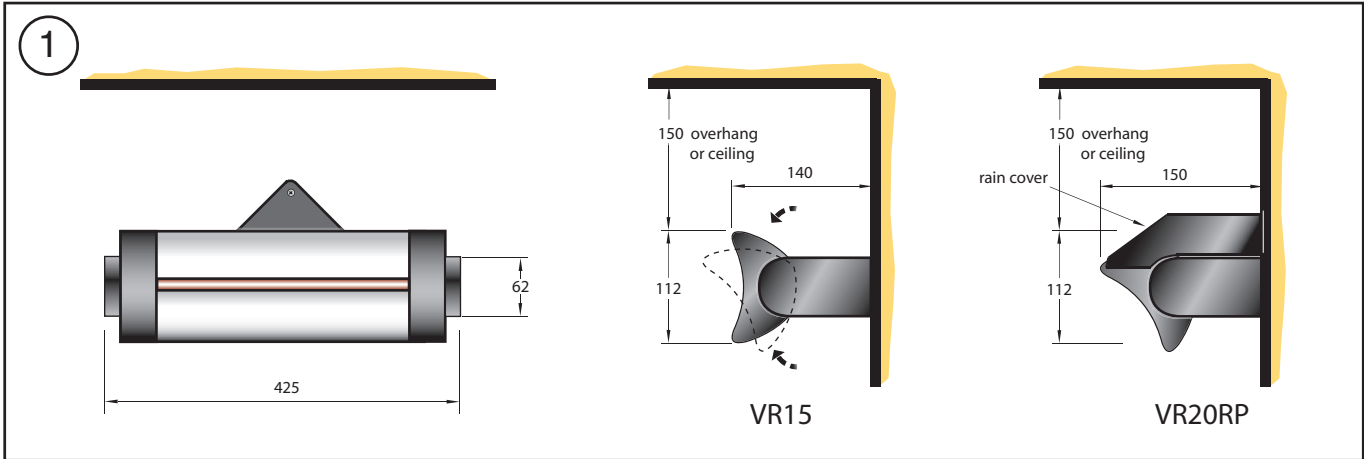




VR15 & VR20RP Quartzray Vector Heaters

08/18149/1 (UK) Issue 1



Dimplex VR15 & VR20RP Quartzray Vector Heaters

THESE INSTRUCTIONS SHOULD BE READ CAREFULLY AND RETAINED FOR FUTURE REFERENCE

Models

	Heating Elements	Voltage	Weight
VR15	1 x 1.5kW	230-240V	2.2kg
VR20RP	1 x 2.0kW	230-240V	2.2kg

Important Safety Advice

The installation of these appliances must always be carried out by a competent electrician and be in accordance with the current IEE wiring regulations and relevant Building Regulations.

The radiated heat from the heater is considerable and must be taken into account when siting the heater. Ensure that the heater is not used in close proximity to the skin or eyes.

Always isolate the heater from the supply before undertaking any maintenance work of the appliance.

The Vector VR15 model is designed for internal use only, whilst the VR20RP Patio Vector model can be internally or externally installed. Both heaters are not rated as flame-proof and must not be used when flammable dusts, gases, or vapours, etc., are likely to be present in the atmosphere. If in doubt, advice should be sought from the Health and Safety Executive inspectors or local fire officers.

Quartz lamps are extremely fragile and must be handled with extreme care at all times. Avoid touching the surface of the quartz sleeve with bare fingers. If the sleeve is accidentally touched remove the finger print with a soft cloth moistened with methylated spirits.

As with any fragile fitting mounted above head height, care must be taken when siting the heater to avoid locations where it may be subjected to knocks. In high risk areas such as sports halls etc. extra guarding may be required to protect the heater from flying objects. If in doubt consult the heater manufacturer.

WARNING - THIS APPLIANCE MUST BE EARTHED. HEATERS MUST BE MOUNTED OUT OF REACH FROM OVERHEAD WALKWAYS AND OPENING WINDOWS. THE HEATER MUST BE SECURELY FIXED AS IT WILL BE DANGEROUS IN THE EVENT OF ANY INSECURITY IN ITS FIXINGS.

General

The Dimplex Vector range is available in two models, 1.5kW for internal use and a 2.0kW, which is suitable for both internal and external installation. Both models are suitable for permanent connection to a 230-240V 1PN supply.

Assembly

Vector VR15

Remove the front assembly (see Fig. 2) and disconnect the lamp leads from the terminal block. Remove knockout(s) as shown in Fig. 3. DO NOT attempt to remove knockouts on assembled heater as this will cause damage to the fragile lamps.

If a guard is to be fitted it is necessary to remove one end cap from the heater front (see Fig. 4).

Vector VR20RP - Patio

Similar to Vector VR15 but rain cover must be removed before front assembly can be removed (see Fig. 5).

Important

The supply cable MUST enter the back box from below on this rain-proof model to prevent water entering the heater. If the heater is to be wall mounted the two screws/nuts retaining the cover support bracket will need to be removed.

Installation

The minimum mounting height from ground/floor is 1.8 metres for both models.

The heater should not be mounted in enclosed areas. The minimum distance to an end wall is 1.0 metre. Large objects should also be kept 1.0 metre away from the front of the heater. Allow a minimum space of 150mm to any overhang or ceiling - see Fig. 1.

Do not locate the heater above or below any socket outlet.

VR15

- Wall mounting – screw back box to wall using 2 holes (see Fig. 3).
- Bracket mounting – fit bracket to wall and back box to bracket (see Fig. 6).
- Suspended mounting – remove 2 knockouts (see Fig. 3) and suspend back box using conduit or chain hooks.

VR20RP - Patio

- Bracket mounting only – fit bracket to wall and back box (cover support fitted) to wall bracket (see Fig. 6).

IMPORTANT When deciding upon the best location, consideration must be given to the following requirements.

- Avoid structures liable to vibration, e.g. crane gantries, which could otherwise adversely affect lamp life.
- The lamps are designed to operate within 5° of the horizontal plane. It is very important to ensure that the heater is mounted horizontally, otherwise the operating life of the lamp could be impaired.
- Ensure appliance is mounted the correct way up so that it can be tilted down but not up.
- WARNING – THESE HEATERS ARE DESIGNED TO BE WALL MOUNTED, BRACKET MOUNTED, OR SUSPENDED MOUNTED – THEY MUST NOT BE CEILING MOUNTED. THEY MUST NOT BE MOUNTED IN A ROOM CONTAINING A BATH OR SHOWER. DO NOT MOUNT HEATERS CLOSER THAN 3.5 METRES FROM CURTAINS OR SIMILAR SOFT FURNISHINGS.**

Electrical

Wiring to the heater must be installed in compliance with the requirement of the IEE Regulations and any local or insurance regulations.

All heaters are suitable for use on 230-240V single phase supplies.

Wiring between the heater and the spur outlet or isolation switch must be in a heat resisting cable with a temperature rating of T150. Sufficient slack cable must be left to allow for angular adjustment of the heater body.

An all-pole isolating switch with a minimum separation of 3mm in each pole must be fitted adjacent to the heater to

facilitate local isolation.

If miniature circuit breakers are to be used to avoid 'nuisance tripping' due to the high inrush at switch on, a type 'C' MCB with a tripping coefficient of 7-10 times rated current should be used. Any other switching device should be Tungsten lamp load rated.

Always ensure that the cable grip is tightened.

IMPORTANT Ensure the electrical supply cable is routed and restrained to prevent contact with the external surfaces of the heater and is not positioned in the direct heat beam.

When heater is close to a ceiling the reflectors must be rotated to avoid the heat beam from directly overheating it. The reflector must point down at more than 30° from the horizontal.

Always ensure that the heat beam is parallel to or angled away from a side wall when mounted close to and end wall to avoid overheating wall surfaces. The minimum distance to an end wall is 1.0m.

It is important that the user is instructed not to stack inflammable material in the direct heat beam.

Maintenance

Since the Dimplex Vector Heater contains no moving parts little maintenance is required beyond cleaning and lamp replacement. It is however essential that the heater is not operated with accumulation of dust or dirt on the lamp(s) or reflector(s) as this can cause a build up of heat and eventual damage. For this reason the heater must be inspected regularly, depending upon conditions and at least at yearly intervals.

Before undertaking any maintenance work on the heater due attention must be paid to the following,

1. Always disconnect the heater from the electricity supply before attempting to work on or near it.
2. Always ensure a safe means of access using an access tower or properly supported ladder.
3. Some types of quartz lamps run with an internal pressure in excess of atmospheric and while construction is very strong there is a slight risk of shattering. If it is necessary to examine a bare lamp whilst in operation then a protective screen must be used.
4. Allow adequate time for the lamps and body casing to cool before attempting to work on the heater.

Inspection and Cleaning

1. Check that all the lamps are functioning. If any thermostatic or time controls are fitted ensure that the supply is 'off' before checking lamps. Any failed lamps should be replaced (see lamp replacement). Remove any accumulated dirt and check wiring and connections.

2. Clean the lamp(s) and reflector(s) using a mild detergent solution and soft cloth. Do not use any abrasive or caustic cleaners. Dry with a soft cloth. Avoid touching either the quartz lamp sleeve or the aluminium reflector with bare fingers. If they are accidentally touched remove any finger prints using a soft cloth moistened with methylated spirit.
3. Check that the lamp(s) are properly located in the spring retaining clips and that they have not been disturbed by cleaning. The lamps should be pushed fully back into the clips by applying light pressure on the end caps only.

Safety in Operation

The heater is operated by simply switching on the electrical supply, or, if used in conjunction with a control system, then the supplier's instructions must be observed.

ALWAYS disconnect the heater from the supply before attempting to work on or near it.

NEVER operate the heater with a high accumulation of dust or dirt on the lamp(s) or reflector or with a damaged or corroded reflector.

NEVER use the heater where flammable dusts, gases or vapours, etc., are likely to be present in the atmosphere.

NEVER operate the heater in close proximity to the skin or eyes.

NEVER allow materials which could be damaged or ignited by the radiated heat to be placed in close proximity to the heater.

NEVER cover the heater – even when it is switched off.

ALWAYS refer to these instructions before attempting to dismantle the heater.

After Sales Service

Your product is guaranteed for one year from the date of purchase.

Within this period, we undertake to repair or exchange this product free of charge (excluding lamps & subject to availability) provided it has been installed and operated in accordance with these instructions. Your rights under the guarantee are additional to your statutory rights, which in turn are not affected by this guarantee.

Should you require after sales service, you should contact our customer services help desk on 0870 727 0101. It would assist us if you can quote the model number, series, date of purchase, and nature of the fault at the time of your call. The customer services help desk will also be able to advise you should you need to purchase any spares.

Please do not return a faulty product to us in the first instance as this may result in loss or damage and delay in providing you with a satisfactory service.

Please retain your receipt as proof of purchase.

Glen Dimplex UK Limited
Millbrook House
Grange Drive
Hedge End
Southampton
Hampshire. SO30 2DF

UK customer help line (8.00AM – 6.00PM Mon-Fri; 8.30AM-1.00PM Sat)

Customer Services:	Tel.	0870 7270101
	Fax.	0870 7270102
	e-mail	customer.services@glendimplex.com
Republic of Ireland	Tel.	01 8424833

[c] Glen Dimplex UK Limited

All rights reserved. Material contained in this publication may not be reproduced in whole or in part, without prior permission in writing of Glen Dimplex UK Limited.