

**MODEL NUMBER:**

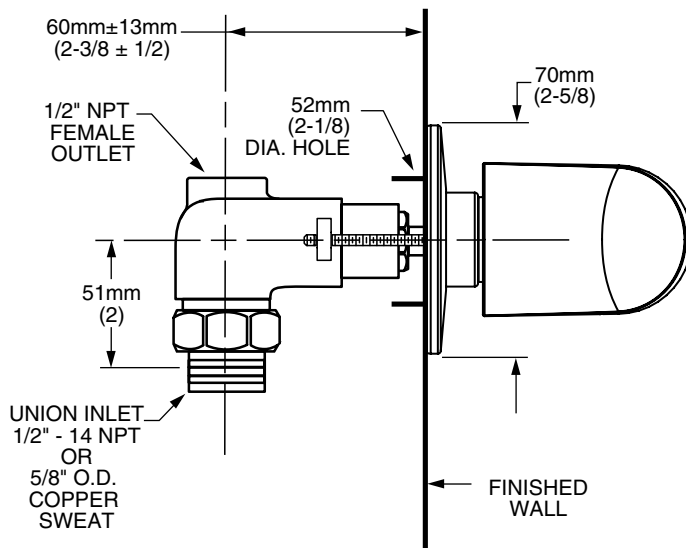
**TRIM KITS:**

- T203.700 On/Off & Volume Control Valve Trim**  
Valve Trim ONLY. LESS Valve.

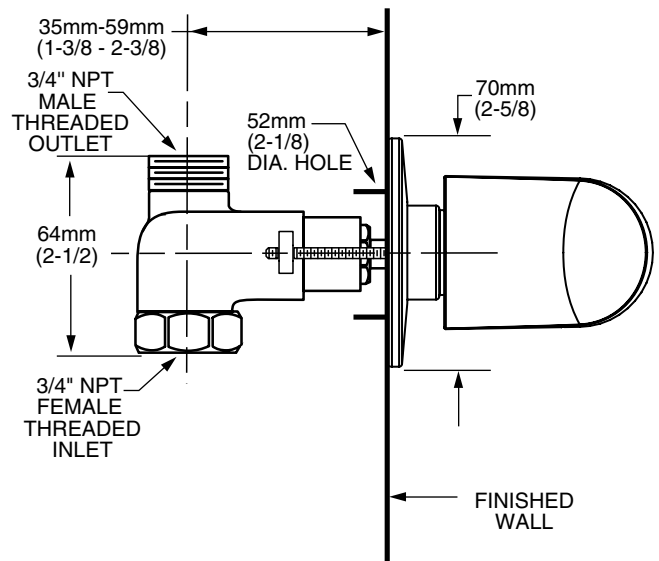
**ROUGH VALVE BODIES:**

- R701 On/Off & Volume Control Valve Rough**  
1/2" inlet/outlet. Less handle.
- R711 On/Off & Volume Control Valve Rough**  
3/4" inlet/outlet. Less handle.

**Model R701**  
**1/2" NPT**



**Model R711**  
**3/4" NPT**



**GENERAL DESCRIPTION:**

Cast brass valve body. Amaris washerless ceramic disc valve cartridge. Choice of 1/2" or 3/4" NPT inlets and outlets.

**PRODUCT FEATURES:**

**Brass Construction:** Durable - Excellent in high use applications. Ideal for prolonged contact with water.

**Ceramic Disc Valve Cartridge:** Assures a lifetime of drip-free performance.

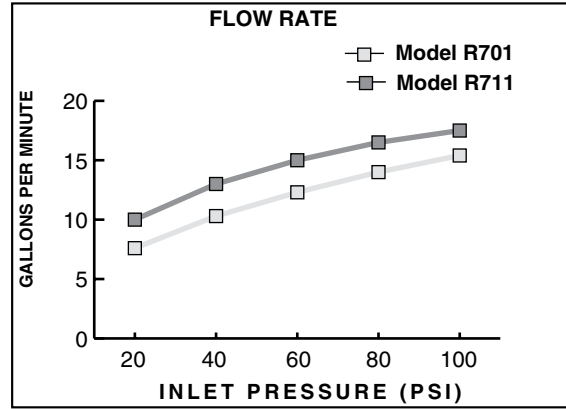
**SUGGESTED SPECIFICATION:**

In-wall single valve shall feature a cast brass valve body. Model R701 shall feature combination 1/2" NPT threaded and direct sweat inlets. 1/2" NPT female outlet. Model R711 shall feature 3/4" female inlet. 3/4" male outlet. Shall also feature 1/4 turn washerless ceramic disc valve cartridges. Trim shall be constructed of brass. Fitting shall be American Standard Model # T203.700.\_\_\_\_ (Trim) and R7\_1 (Rough Valve Body).

**CODES AND STANDARDS**

These products meet or exceed the following codes and standards:

- ASME A112.18.1
- CSA B 125



TRIM KITS**	Product Number	Description	Finish Options			
			Polished Chrome	PVD Blackened Bronze	PVD Polished Brass	PVD Satin Nickel
			002	068	099	295
	T200.700	On/Off & Volume Control Valve Trim.				

ROUGH VALVE BODIES	Product Number	Description		
			R701	In-wall single valve. 1/2" inlet/outlet. Less handle.
			R711	In-wall single valve. 3/4" inlet/outlet. Less handle.

**\*\* ROUGHS AND TRIMS MUST BE ORDERED SEPARATELY.**