



[®]
gemini



OPERATIONS MANUAL

BEDIENUNGSHANDBUCH
MANUAL DEL OPERADOR
MANUEL D'INSTRUCTIONS

SA-2400

HIGH-TORQUE DIRECT-DRIVE PROFESSIONAL TURNTABLE

PROFESSIONELLER PLATTENSPIELER MIT
DREHMOMENTSTARKEM DIREKTANTRIEB

GIRADISCOS PROFESIONAL DE ACCIONAMIENTO DIRECTO Y
DE ALTO PAR MOTOR

PLATINE VINYLE PROFESSIONNELLE HI-TORQUE À
ENTRAÎNEMENT DIRECT PILOTÉE PAR QUARTZ

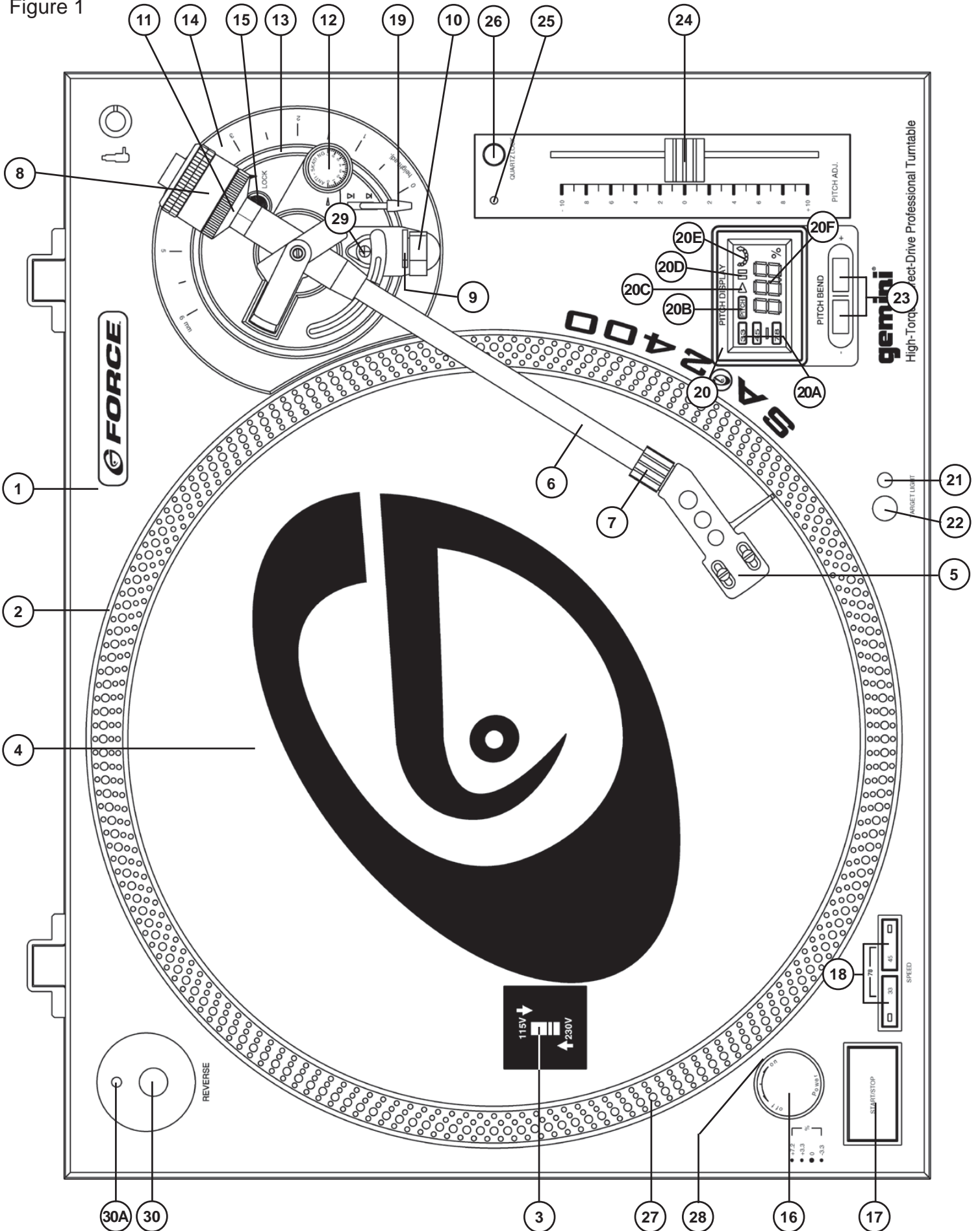
GIRADISCHI PROFESSIONALE A COMANDO DIRETTO ED A
ALTA COPPIA MOTRICE



MULTI LANGUAGE INSTRUCTIONS:

English.....	Page 4
Deutsch.....	Page 7
Español.....	Page 10
Français.....	Page 13
Italiano.....	Page 16

Figure 1



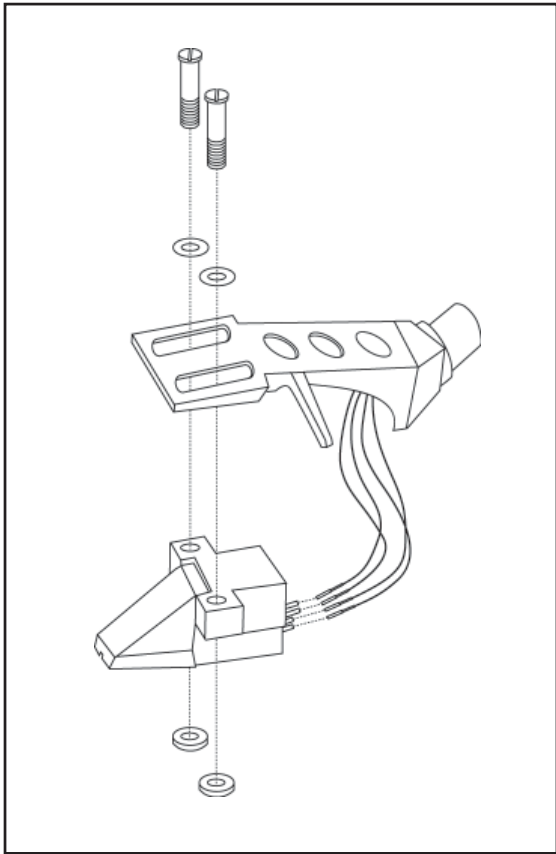


Figure 2

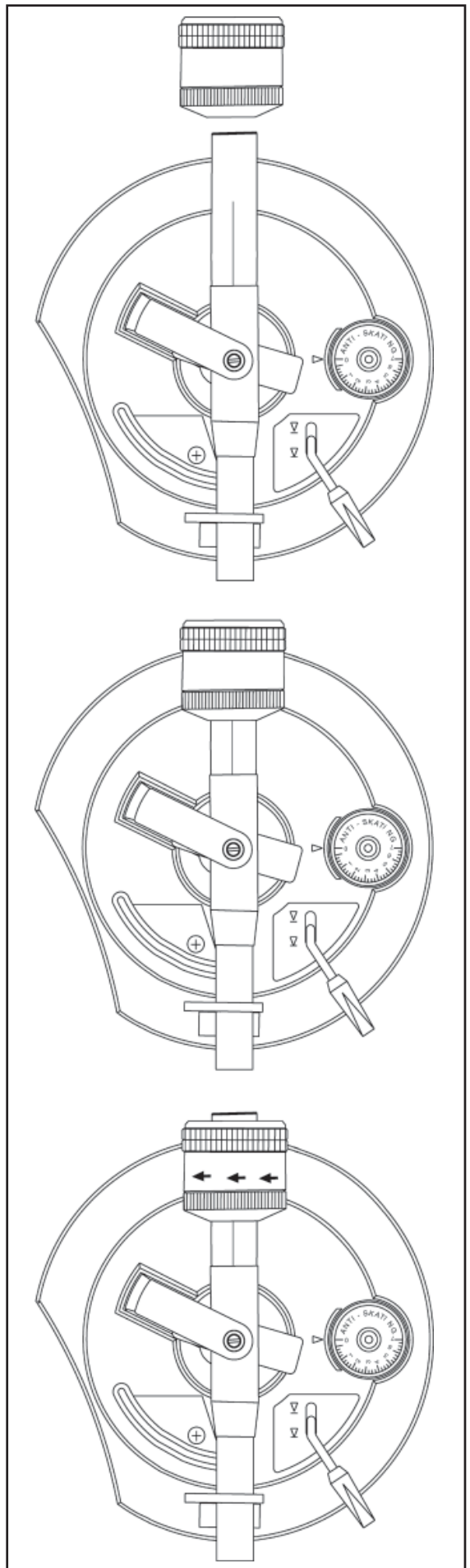


Figure 3

Introduction

Congratulations on purchasing a Gemini SA-2400 high-torque direct drive professional turntable. This state of the art turntable includes the latest features in modern direct drive turntable technology. Prior to use, we suggest that you carefully read all the instructions.

Features

- Quartz locked speed
- +/- 10% Pitch control
- Fully electronic braking
- Strobe illuminator
- Soft-touch start/stop switch
- Platter Reverse
- Digital Display

Precautions

1. Read all operating instructions before using this equipment.
2. The apparatus should not be exposed to dripping or splashing and no objects filled with liquids such as vases should be placed on the apparatus.
3. To reduce the risk of electrical shock, do not open the unit. There are **NO USER REPLACEABLE PARTS INSIDE**. Please contact the Gemini Service Department or your authorized dealer to speak to a qualified service technician.

In the U.S.A., if you have any problems with this unit, call 1-732-969-9000 for customer service. Do not return equipment to your dealer.

4. Tone arm bearings are factory set and sealed. Any attempt at adjustment will void the warranty.
5. Be sure that all AC power is OFF while making connections.
6. Cables should be low capacitance, shielded and of proper length. Make sure that all plugs and jacks are tight and properly connected.
7. Always begin with the audio level faders/volume controls set at minimum and the speaker volume control(s) set to OFF. Wait 8 to 10 seconds prior to turning up the speaker volume to prevent the transient "POP" that could result in speaker/crossover damage.
8. **DO NOT EXPOSE THIS UNIT TO RAIN OR MOISTURE.**
9. **DO NOT USE ANY SPRAY CLEANER OR LUBRICANT ON ANY CONTROLS OR SWITCHES.**

Parts Checklist

Turntable unit.....	1
Dust cover hinge.....	2
Turntable platter.....	1
45 RPM adapter.....	1
Neoprene mat.....	1
Counter balance.....	1
Dust cover.....	1
Headshell.....	1

Assembly and Set-Up

NOTE: SEE FIG. 1 (PAGE 1) FOR PART NUMBERS AND LOCATIONS.

TURNTABLE INSTALLATION:

1. Set the **TURNTABLE BASE (1)** on a flat, level surface free of vibration. Try to place the unit as far away from the speakers as possible. Keep the unit away from direct exposure to the sun, heat, moisture or dirt. Keep the unit well ventilated. Use the turntable feet to horizontally stabilize the unit.

2. Make sure that the **VOLTAGE SELECTOR (3)** switch (located on the **TURNTABLE BASE**) is set to the correct voltage. **WARNING:** If you try to operate the turntable with the incorrect voltage setting, it can damage your turntable.
3. After checking to ensure that all packing materials have been removed, gently place the **PLATTER (2)** on the center spindle of the **TURNTABLE BASE (1)**.
4. Put the **NEOPRENE MAT (4)** on the **PLATTER (2)**.

CARTRIDGE INSTALLATION: (SEE FIG. 2)

Because all cartridges have their own designs, please refer to your particular cartridge's instructions to insure proper installation.

1. Connect the lead wires to the cartridge terminals. For your convenience, the terminals of most cartridges are color coded. Connect each lead wire to the terminal of the same color.
 - White (L+).....Left Channel +
 - Blue (L-).....Left Channel -
 - Red (R+).....Right Channel +
 - Green (R-).....Right Channel -
2. Mount the cartridge in the **HEADSHELL (5)** and tighten it with the screws included with the cartridge.

HEADSHELL INSTALLATION:

Insert the **HEADSHELL (5)** into the front of the tubular **TONE ARM (6)**. While holding the **HEADSHELL** firmly in a horizontal position, turn the **LOCKING NUT (7)** counter clockwise until the **HEADSHELL** is locked in place. The Gemini angled headshell was designed to be used with a straight tone arm. Any type of cartridge can be mounted in the Gemini angled headshell.

USING A STRAIGHT TONE ARM:

When using a straight tone arm with a banana stylus or a cartridge mounted in a standard headshell, you should always use a conical type of needle. If you use an elliptical needle, the needle will sit in the groove of the record properly, but one channel will be louder than the other channel.

The Gemini straight tone arm has been designed so that it will line up with markings on LPs you have made when using a turntable with an S-shaped tone arm.

COUNTERWEIGHT INSTALLATION: (SEE FIG. 3)

1. Slide the **COUNTERWEIGHT (8)** onto the rear of the **TONE ARM (6)** with the numbered stylus gauge facing forward.
2. Twist the **COUNTERWEIGHT (8)** lightly counter clockwise, to screw it onto the rear of the **TONE ARM (6)**.

ADJUSTING HORIZONTAL ZERO (0) BALANCE AND STYLUS PRESSURE:

1. Without touching the stylus tip, remove the stylus protector (if your cartridge has a detachable one).
2. Release the **ARM CLAMP (9)** and lift the **TONE ARM (6)** off the **ARM REST (10)**.
3. Counter clockwise advancement of the **COUNTERWEIGHT (8)** will cause the cartridge side of the **TONE ARM (6)** to be lowered. Clockwise will cause the opposite. Turn the **COUNTERWEIGHT** clockwise or counter clockwise as needed until the **TONE ARM** is balanced horizontally. You can easily tell this by watching for the point where the **TONE ARM** "floats" freely.
4. Place **TONE ARM (6)** on **ARM REST (10)** and lock it in place with the **ARM CLAMP (9)**.
5. With the **TONE ARM (6)** locked on the **ARM REST (10)**, hold the **COUNTERWEIGHT (8)** steady with one hand while rotating the **STYLUS PRESSURE RING (11)** until the numeral "0" on the ring aligns with the center line on the **TONE ARM** rear shaft. The horizontal zero (0) balance should be completed.
6. Refloat the **TONE ARM** to ensure horizontal zero (0) balance. If zero balance has not been maintained, repeat counterweight steps 3 - 5.

- After adjusting the horizontal zero (0) balance, turn the balanced **COUNTERWEIGHT (8)** counter clockwise until the cartridge manufacturer's recommend stylus pressure appears on the **STYLUS PRESSURE RING (11)** where it meets the center line of the **TONE ARM (6)** rear shaft.

ADJUSTING THE ANTI-SKATING CONTROL:

Set the **ANTI-SKATING CONTROL (12)** to the same value as the stylus pressure.

ADJUSTING TONE ARM HEIGHT:

The tone arm height is adjustable between 0 and 6 mm. A **HEIGHT SCALE (14)** (in 0.5 mm increments) is provided to aid in an accurate setting.

- Unlock the tone arm by turning the **ARM LOCK (15)** knob away from the lock position.
- Look up the cartridge height on Table A and find its corresponding height scale reading.
- Turn the **ARM HEIGHT ADJUSTMENT RING (13)** until the reference line on the ring is positioned at the correct scale reading.
- Lock the tone arm by turning the **ARM LOCK (15)** knob clockwise until it reaches the lock position.

TABLE A

CARTRIDGE HEIGHT (mm)	SCALE READING
15	0
16	1
17	2
18	3
19	4
20	5
21	6

For example, if the height of the cartridge is 18.5 mm, the **ARM HEIGHT ADJUSTMENT RING (13)** reference line should be positioned between 3 and 4 on the **HEIGHT SCALE (14)**.

INSTALLING THE DUSTCOVER:

- Mount the hinges onto the dustcover.
- Hold the dustcover in position, directly above the turntable, and slide the hinge bases into the holders mounted on the rear panel.
- Always raise the dustcover before removal.
- Avoid opening and closing the dustcover during play. Undesirable vibration and stylus skipping can result.

CONNECTIONS:

- Plug the AC power plug into an appropriate outlet.
- See Table A for proper connection of the output RCA plugs and ground connector. Make sure that all the plugs are firmly plugged into the appropriate jacks (phono inputs). To reduce hum, make sure the ground lug is firmly connected to the ground screw.

TABLE B

OUTPUT CONNECTORS	MIXER OR RECEIVER
L (WHITE)	PHONO L CHANNEL
R (RED)	PHONO R CHANNEL
GND (Spade Lug)	GND Screw

Operating Instructions

BASIC OPERATION:

- Place a record on the **NEOPRENE MAT (4)** which sits on the **PLATTER (2)**.

- Select the desired speed by depressing the 33 or 45 **SPEED SELECTOR (18)** button. Press both the 33 and 45 **SPEED SELECTOR** buttons at the same time for 78 RPM.
- Turn the **POWER (16)** switch to the "ON" position, at which point the strobe illuminator (built into the **POWER** switch and the speed indicator (for the selected speed) will illuminate.
- Remove the stylus protector (if applicable to your cartridge).
- Release the **ARM CLAMP (9)** found on the **ARM REST (10)**.
- Push the **START STOP (17)** button. The turntable **PLATTER (2)** will start to spin.
- Push the **CUE LEVER (19)** to the "UP" position.
- Position the tone arm over the desired position on the record and push the **CUE LEVER** to the "DOWN" position. The **TONE ARM (6)** will slowly lower onto the record at which time play will begin.
- When play is over, raise the **TONE ARM (6)**, move it to the **ARM REST (10)**, and secure it with the **ARM CLAMP (9)**.
- You now have the option of turning off the power by turning the **POWER (16)** switch to the "OFF" position, or stopping the **PLATTER (2)** by pushing the **START STOP (17)** button and engaging the electronic brake.

INTERRUPTING PLAY:

- Pushing the **CUE LEVER (19)** to the "UP" position will cause the **TONE ARM (6)** to lift, stopping play.
- Pushing the **CUE LEVER (19)** to the "DOWN" position will cause the **TONE ARM (6)** to slowly lower onto the record at the point where play was interrupted.

PLAYING 45 RPM RECORDS:

- When playing a 45 RPM record with a large center hole, first place the **45 ADAPTER** on the center spindle.
- Be sure that the 45 **SPEED SELECTOR (18)** button is pushed and the 45 speed indicator is illuminated.

TARGET LIGHT:

- Push the **TARGET LIGHT SWITCH (21)** firmly and the **TARGET LIGHT (22)** will raise into position and illuminate the stylus tip.
- To lower the **TARGET LIGHT**, push down on it until it locks in the casing.
- When not being used, the **TARGET LIGHT** should be kept in the lowered position.

ADJUSTING THE PITCH CONTROL:

- The SA-2400 is equipped with **PITCH CONTROL (24)** and **QUARTZ LOCK (26)**. When the **QUARTZ LOCK** is activated, the **QUARTZ LOCK LED (25)** lights **GREEN**, and the speed will be exactly 33 1/3, 45 or 78 RPM depending on which speed has been selected regardless of the position of the pitch control. **PITCH CONTROL** automatically disengages when **QUARTZ LOCK** is activated.
- When the **QUARTZ LOCK** is off, you can adjust the **PITCH CONTROL (24)**. When you move **PITCH CONTROL (24)** off center, the pitch can vary +/- 10% depending on the position of the **PITCH CONTROL**.
- Push the **QUARTZ LOCK (26)** button to bring the speed back to exactly 33 1/3, 45 or 78 RPM when the **PITCH CONTROL (24)** is positioned off center. Disengaging the **QUARTZ LOCK** will bring the platter speed back to the original pitch setting.
- The **PLATTER (2)** is equipped with a **STROBE RPM INDICATOR STRIP (27)** and the **POWER (16)** switch contains built in **STROBE LIGHTS (28)**. When the **PLATTER** is spinning, the **STROBE LIGHTS** illuminate the **STROBE RPM INDICATOR STRIP**. The bottom row of dots will appear to be stationary when the pitch is -3.3%. The second row of dots from the bottom will appear to be stationary when the speed is exactly 33 1/3, 45 or 78 RPM depending on which **SPEED SELECTOR (18)** buttons are pushed. The third row of dots from the bottom will appear to be stationary when the pitch is +3.3%. The top row of dots will appear to be stationary when the pitch is +7.2%.

PITCH BEND:

1. Pushing the **PITCH BEND (23)** buttons will temporarily raise or lower the pitch without changing the slide setting. Releasing the buttons will return the pitch to the slide setting.

USING THE REVERSE BUTTON:

1. Press the **REVERSE (30)** button to reverse the rotation of the **PLATTER (2)** (the **REVERSE LED (30A)** will light while in reverse mode). Press the **REVERSE** button a second time to return to normal play.

DIGITAL DISPLAY:

1. The **DIGITAL DISPLAY (20)** indicates **SPEED (20A)**, **PITCH SLIDE ACTIVATION (20B)**, **PLAY (20C)**, **PAUSE (20D)**, **REVERSE (20E)** and **PITCH PERCENTAGE (20F)**.

ARM-LIFT HEIGHT ADJUSTMENT:

If the pre-adjusted distance that the **CUE LEVER (19)** raises the stylus off the record surface is inadequate, it can be adjusted by turning the **ARM-LIFT HEIGHT ADJUSTMENT SCREW (29)** while simultaneously pushing down on the **TONE ARM (6)**. Clockwise rotation of the screw will decrease the distance and counterclockwise rotation will increase the distance.

Specifications

TURNTABLE SECTION:

Type.....Quartz Direct Drive Manual Turntable
Drive Method.....Direct Drive
Motor.....Brushless DC Motor 18V
Platter.....Aluminum Diecast 13" (332mm) Dia.
Speed.....33 1/3, 45 or 78 RPM
Starting Torque.....2.2 kg/cm
Build-up Characteristics.....0.6 sec. standstill to 33 1/3 RPM
Braking System.....Electronic Brake
Wow and Flutter.....0.01% WRMS*
* This rating refers to the turntable assembly and platter only and excludes effects of records, cartridges or tonearms.
Rumble.....78 dB (IEC 98A WTD)

TONARM SECTION:

Type.....Universal Straight Tubular Arm
Effective Length.....9 1/16" (231.5 mm)
Arm Height Adjust Range.....0 - 6 mm
Overhang.....19/32" (15.1 mm)
Effective Mass.....9 g (Without Cartridge)
Offset Angle.....22°
Friction.....Less Than 7 mg (Lateral, Vertical)
Tracking Error Angle.....Within 2°32' at the outer groove and within 0°32' at the inner groove of a 30 cm (12") record
Stylus Pressure Adjust Range.....0 - 5 g
Applicable Cartridge Weight Range.....6 - 10 g
Headshell Weight.....9 g

GENERAL:

Power Supply.....115V~60Hz/230V~50Hz
Power Consumption.....15 Watts
Dimensions.....17 3/4" x 6" x 14"
450mm x 152mm x 352 mm
Weight.....27 lbs. (12.3 kg)

Specifications are subject to change without notice. The weight and dimensions shown are approximate.

Einleitung

Wir gratulieren Ihnen zum Kauf eines drehmomentstarken Gemini SA-2400 Plattenspielers. Dieser moderne Plattenspieler enthält die neuesten Funktionen, die die Plattenspieler-technik mit Direktantrieb zu bieten hat. Vor Anwendung des Plattenspielers lesen Sie bitte alle Anweisungen sorgfältig durch.

Leistungsmerkmale

- Quartzgesteuerte Drehzahl
- +/- 10% Drehzahlregulierung (Pitch)
- Elektronische Bremsvorrichtung
- Strobelicht
- Start-/Stop-Funktionstaste
- Rückwärtslauf
- Digitalanzeige

Vorsichtsmaßnahmen

1. Vor Anwendung dieses Geräts bitten alle Anweisungen sorgfältig durchlesen.
2. Das Gerät vor Tropfen und Spritzern schützen, und es dürfen keine mit Flüssigkeit gefüllte Behälter wie Vasen darauf gestellt werden.
3. Das Gerät nicht öffnen, um das Risiko elektrischer Schocks zu vermeiden. Es enthält KEINE VOM ANWENDER ERSETZBAREN TEILE. Die Wartung darf nur von ausgebildeten Servicetechnikern durchgeführt werden.
4. Die Tonarmlager sind werkseingestellt und abgedichtet. Jegliche Änderungsversuche führen zum Erlöschen der Garantie.
5. Darauf achten, daß beim Anschluß die Netzspannung abgeschaltet ist.
6. Nur kapazitätsarme, abgeschirmte Kabel vorschriftsmäßiger Länge benutzen. Darauf achten, daß alle Stecker und Buchsen fest angeschraubt und richtig angeschlossen sind.
7. Zu Beginn müssen die Überblendregler und Lautstärkeregler Ihres Verstärkers auf Minimum eingestellt und die Lautsprecherschalter in OFF-Position geschaltet sein. Vor dem Lautstellen 8 bis 10 Sekunden warten, um den durch Einschwingung erzeugten Schrotteffekt zu vermeiden, welches zu Lautsprecher- und Frequenzweichenschäden führen könnte.
8. Dieses Gerät nicht Regen oder Feuchtigkeit aussetzen.
9. An den Reglern oder Schaltern keine Spray-Reinigungsmittel oder Schmiermittel benutzen.

Teile-Lieferumfang

Plattenspieler.....	1
Plattenteller.....	1
Neoprenauflage.....	1
Abdeckhaube.....	1
Abdeckhaubenscharniere.....	2
45-U/min-Adapter.....	1
Balancegewicht.....	1
Tonkopf (Systemträger).....	1

Zusammenbau und Aufstellung

HINWEIS: SIEHE ABBILDUNG 1 (SEITE 1) FÜR TEILENUMMERN UND POSITIONEN.

EINBAU DES PLATTENSPIELERS:

1. Setzen Sie das **PLATTENSPIELERCHASSIS - TURNTABLE BASE (1)** auf eine flache, ebene Fläche ohne Vibration. Das Gerät so weit wie möglich von den Lautsprechern entfernt aufstellen. Das Gerät von direktem Sonnenlicht, Wärme, Feuchtigkeit oder Schmutz fernhalten. Das Gerät in gut belüfteter Umgebung aufstellen. Es mit den Plattentellerfüßen horizontal lagern fest machen.

2. Den **SPANNUNGSWAHLER - VOLTAGE SELECTOR (3)** (befindet sich auf dem **PLATTENSPIELERCHASSIS**) auf die richtige Spannung (230 Volt) überprüfen. **WARNUNG:** Schalten Sie den **PLATTENSPIELER** mit einer falschen Spannung (115 Volt) ein, kann der Plattenspieler beschädigt werden.
3. Nachdem Sie überprüft haben, da das Verpackungsmaterial vollkommen entfernt worden ist, setzen Sie den **PLATTENTELLER - PLATTER (2)** vorsichtig auf die mittige Spindel des **PLATTENSPIELERCHASSIS - TURNTABLE BASE (1)**.
4. Die **NEOPRENAUFLAGE - NEOPRENE MAT (4)** auf den **PLATTENTELLER - PLATTER (2)** legen.

EINBAU DES TONABNEHMERS: (SIEHE ABBILDUNG 2)

Weil alle Tonabnehmer individuell ausgeführt sind, siehe jeweilige Anweisungen für Tonabnehmer, um einen richtigen Einbau sicherzustellen.

1. Die Zuleitungsdrähte an den Tonabnehmerstiften anschließen. Um den Anschluß zu erleichtern, sind die meisten Tonabnehmerstifte farblich kodiert. Die Zuleitungsdrähte an den Stiften der jeweiligen Farbkennzeichnung anschließen.

Weiß (L+).....linker Kanal +
Blau (L-).....linker Kanal -
Rot (R+).....rechter Kanal +
Grün (R-).....rechter Kanal -

2. Den Tonabnehmer in den **TONKOPF/ SYSTEMTRÄGER - HEADSHELL (5)** einbauen und mit den dem Tonabnehmer beige gefügten Schrauben befestigen.

EINBAU DES TONKOPFES:

Den **TONKOPF - HEADSHELL (5)** an der Vorderseite des röhrenförmigen **TONARMS - TONE ARM (6)** einstecken. Beim Halten des **TONKOPFES** in horizontaler Position die **SICHERUNGSMUTTER - LOCKING NUT (7)** gegen den Uhrzeigersinn drehen, bis der **TONKOPF** festgeschraubt ist. Der winkelige Gemini-Tonkopf wurde zum Gebrauch mit einem geraden Tonarm konstruiert. Jede Art von Tonabnehmer kann in den winkligen Gemini-Tonkopf montiert werden.

BENUTZUNG EINES GERADEN TONARMS:

Bei Benutzung eines geraden Tonarms mit einer in einem Standardtonkopf installierten Abtastnadel oder einem kompletten Bananen-System sollten Sie immer eine sphärische Nadel benutzen. Wenn Sie eine elliptische Nadel benutzen, wird die Nadel zwar in der Plattennut sitzen, jedoch wird ein Kanal lauter sein als der andere.

Der gerade Gemini-Tonarm wurde so konstruiert, damit er mit den Markierungen fluchtet, die Sie bei Benutzung eines S-förmigen Tonarms auf den LPs gemacht haben.

EINBAU DES BALANCEGEWICHTS: (SIEHE ABBILDUNG 3)

1. Das **BALANCEGEWICHT - COUNTERWEIGHT (8)** auf den hinteren Teil des **TONARMS - TONE ARM (6)** schieben, wobei die numerierte Skala nach vorne gerichtet sein muss.
2. Das **BALANCEGEWICHT - COUNTERWEIGHT (8)** gering im Gegenuhrzeigersinn ziehen, um es auf den hinteren Teil des **TONARMS - TONE ARM (6)** zu schrauben.

HORIZONTALER NULLPUNKTABGLEICH UND REGULIERUNG DES AUFLAGEDRUCKS:

1. Ohne die Nadelspitze zu berühren, entfernen Sie den Nadelschutz (falls Ihr Tonabnehmer einen abnehmbaren Nadelschutz hat).
2. Die **TONARM-KLEMMSCHELLE - ARM CLAMP (9)** lösen und den **TONARM - TONE ARM (6)** von der **TONARMAUFLAGE - ARM REST (10)** abheben.
3. Durch das Verdrehen gegen den Uhrzeigersinn des **BALANCEGEWICHTS - COUNTERWEIGHT (8)** wird die Tonabnehmerseite des **TONARMS - TONE ARM (6)** gesenkt. Beim Drehen im Uhrzeigersinn geschieht das Gegenteil. Das **BALANCEGEWICHT** je nach Bedarf im oder gegen den Uhrzeigersinn drehen, bis der **TONARM** horizontal ausbalanciert ist. Dies läßt sich leicht feststellen, indem man die Stelle beobachtet, wo der **TONARM** unbehindert "schwimmt".

- Den **TONARM - TONE ARM (6)** auf die **TONARMAUFLAGE - ARM REST (10)** setzen und ihn mit der **TONARM-KLEMMSCHELLE - ARM CLAMP (9)** festklemmen.
- Indem der **TONARM - TONE ARM (6)** auf der **TONARMAUFLAGE - ARM REST (10)** festgeklemmt ist, halten Sie das **BALANCEGEWICHTS - COUNTERWEIGHT (8)** ruhig mit der Hand, während Sie den **AUFLAGEDRUCKRING - STYLUS PRESSURE RING (11)** rotieren, bis sich die Ziffer "0" auf dem Ring mit der Mittellinie an dem hinteren Rohr des **TONARMS** ausrichtet. Der horizontale Nullpunktgleich (0) ist nun abgeschlossen.
- Den **TONARM** erneut schwimmen lassen, um sicherzustellen, daß der horizontale Nullpunktgleich (0) gleich geblieben ist. Wurde er nicht beibehalten, wiederholen Sie die Schritte 3 - 5.
- Nach dem horizontalen NULLPUNKTGLEICH das abgegliche **BALANCEGEWICHTS - COUNTERWEIGHT (8)** gegen den Uhrzeigersinn drehen, bis der vom Tonabnehmerhersteller empfohlene Auflagedruck auf dem **AUFLAGEDRUCKRING - STYLUS PRESSURE RING (11)** erscheint, wo er mit der Mittellinie des **TONARMS - TONE ARM (6)** zusammentrifft.

REGULIERUNG DER ANTISKATING-VORRICHTUNG:

Die **ANTISKATING-VORRICHTUNG - ANTI-SKATING CONTROL (12)** auf den gleichen Wert wie den Auflagedruck einstellen.

REGULIERUNG DER TONARMHÖHE:

Die Tonarmhöhe ist zwischen 0 und 6 mm einstellbar. Eine **HÖHENSKALA - HEIGHT SCALE (14)** (in Unterteilungen von 0,5 mm) wird mitgeliefert, um bei Einstellung den genauen Skalenwert zu gewähren.

- Den Tonarm lösen, indem Sie den Knopf der **TONARMARRETIERUNG - ARM LOCK (15)** entgegen die Arretierposition drehen.
- In Tabelle A finden Sie die Höhe des Tonabnehmers und auch ihren entsprechenden Skalenwert.
- Den **HÖHENJUSTIERRING - ARM HEIGHT ADJUSTMENT RING (13)** drehen, bis die Referenzlinie auf dem Ring am korrekten Skalenwert eingestellt ist.
- Arretieren Sie den Tonarm, indem Sie den Knopf der **ARMARRETIERUNG - ARM LOCK (15)** im Uhrzeigersinn drehen, bis er die Arretierposition erreicht.

TABELLE A

Tonabnehmernhöhe (mm)	Skalenwert
15	0
16	1
17	2
18	3
19	4
20	5
21	6

Zum Beispiel: wenn der Tonabnehmer eine Höhe von 18,5 mm hat, sollte die Referenzlinie des **ARMHÖHENJUSTIERRINGS - ARM HEIGHT ADJUSTMENT RING (13)** zwischen 3 und 4 an der **HÖHENSKALA - HEIGHT SCALE (14)** eingestellt sein.

EINBAU DER ABDECKHAUBE:

- Die Scharniere an der Abdeckhaube anbringen.
- Halten Sie die Abdeckhaube direkt über dem Plattenspieler in Position und schieben die Scharniersockel in die Halterungen, die in die Rückwand montiert sind.
- Vor dem Entfernen immer die Abdeckhaube anheben.
- Es sollte vermieden werden, die Abdeckhaube während des Spielens zu öffnen und zu schließen. Dies könnte zu unerwünschten Vibrationen und Nadelspringen führen.

ANSCHLÜSSE:

- Den Netzstecker an einer entsprechenden Steckdose anschließen.

- Siehe Tabelle A für vorschriftsmäßige Anschlüsse der Ausgangs-RCA-Stecker und des Erdungssteckers. Achten Sie darauf, daß alle Stecker an den richtigen Buchsen fest angeschlossen sind (Phono-Eingänge). Um Brummtöne zu vermeiden, ist darauf zu achten, daß die Erdungsöse fest an der Erdungsschraube angeschlossen ist.

TABELLE B

AUSGANGS-ANSCHLUSS	MIXER ODER RECEIVER
L (Weiß)	PHONO- L KANAL
R (ROT)	PHONO- R KANAL
ERDUNG (Flachöse)	Erdungsschraube

Bedienungsanweisungen

GRUNDBETRIEB:

- Die Platte auf die **NEOPRENAUFLAGE - NEOPRENE MAT (4)** legen, die auf dem **PLATTENTELLER - PLATTER (2)** sitzt.
- Die gewünschte Drehzahl auswählen, indem Sie an der **DREHZAHLTASTE - SPEED SELECTOR (18)** entweder 33 oder 45 auswählen. Für die 78 U/min Drehzahl, beide **DREHZAHLTASTEN 33** und 45 gleichzeitig auswählen.
- Den **NETZSCHALTER - POWER (16)** in die "ON"-Position schalten, woraufhin das (in den **NETZSCHALTER** eingebaute) Stroblicht und die Drehzahlanzeige (für die ausgewählte Drehzahl) aufleuchten wird.
- Den Nadelschutz abnehmen (falls an Ihrem Tonabnehmer vorhanden).
- Die **TONARM-KLEMMSCHELLE - ARM CLAMP (9)** an der **TONARMAUFLAGE - ARM REST (10)** lösen.
- Die **START STOP (17)** taste drücken. Der **PLATTENTELLER - PLATTER (2)** wird anfangen zu drehen.
- Den **TONARMLIFT-HEBEL - CUE LEVER (19)** in die "UP"-Position schieben.
- Den Tonarm über die gewünschte Rille auf der Platte positionieren, und den **TONARMLIFT-HEBEL** in die "DOWN"-Position schieben. Der **TONARM - TONE ARM (6)** wird sich langsam auf die Platte senken, woraufhin die Platte zu spielen beginnt.
- Bei Beendigung des Spielens heben Sie den **TONARM - TONE ARM (6)**, schieben ihn auf die **TONARMAUFLAGE - ARM REST (10)** und befestigen ihn mit der **TONARM-KLEMMSCHELLE - ARM CLAMP (9)**.
- Nun haben Sie die Option, den Strom abzuschalten, indem Sie den **NETZSCHALTER - POWER (16)** in die "OFF"-Position schalten, oder den **PLATTENTELLER - PLATTER (2)** zu stoppen, indem Sie die **START STOP (17)** taste drücken und die elektronische Bremse aktivieren.

SPIELUNTERBRECHUNG:

- Durch das Anheben des **TONARMLIFT-HEBELS - CUE LEVER (19)** in die "UP"-Position wird der **TONARM - TONE ARM (6)** angehoben und unterbricht das Spielen.
- Das Senken des **TONARMLIFT-HEBELS** in die "DOWN"-Position wird den **TONARM - TONE ARM (6)** langsam an der Stelle auf die Platte setzen, wo das Spielen unterbrochen wurde.

DAS SPIELEN VON 45-U/MIN-PLATTEN:

- Wenn Sie eine 45-U/min-Platte spielen, die ein großes Mittelloch hat (z.B. Singles), setzen Sie zunächst einen **ADAPTER** auf die Spindel.
- Darauf achten, daß die 45-U/min-**DREHZAHLWÄHLTASTE - SPEED SELECTOR (18)** gedrückt ist und die 45-U/min-Drehzahlanzeige aufleuchtet.

NADELBELEUCHTUNG:

- Fest auf den **LAMPENSCHALTER - TARGET LIGHT SWITCH (21)** drücken, wodurch die **NADELBELEUCHTUNG - TARGET LIGHT (22)** so weit herausgefahren wird, um die Nadelspitze zu beleuchten.
- Um die **NADELBELEUCHTUNG** zu versenken, drücken Sie so lange auf die Lampe, bis diese im Gehäuse arretiert.

- Bei Nichtgebrauch sollte die **NADLEBELEUCHTUNG** in versenkter Position gehalten werden.

REGULIERUNG DER GESCHWINDIGKEIT:

- Der SA-2400 ist mit einem **GESCHWINDIGKEITSREGLER - PITCH CONTROL (24)** und **QUARTZSPERRE - QUARTZ LOCK (26)** ausgerüstet. Wenn die **QUARTZSPERRE** aktiviert ist, leuchtet die **grüne PITCH LED - QUARTZ LOCK LED (25)** und die Drehzahl wird genau 33 1/3 , 45 und 78 U/min sein, je nachdem welche **DREHZAHLOWAHLTASTE - SPEED SELECTOR (18)** gedrückt wird ohne Rücksicht auf die Reglerstellung. Der **GESCHWINDIGKEITSREGLER** schaltet sich automatisch aus wenn die **QUARTZSPERRE** aktiviert ist.
- Wenn die **QUARTZSPERRE** ausgeschaltet ist, können Sie den **GESCHWINDIGKEITSREGLER** nachjustieren. Wenn Sie den **GESCHWINDIGKEITSREGLER** außerhalb der Mittenposition schieben, kann die Tonhöhe zwischen +/- 10% eingestellt werden, abhängig von der Position des **GESCHWINDIGKEITSREGLERS**.
- Drücken Sie Taste der **QUARTZSPERRE**, um die Drehzahl wieder genau auf 33 1/3, 45 oder 78 U/min zu bringen, wenn der **GESCHWINDIGKEITSREGLER** außerhalb der Mittenposition steht. Das Ausschalten der **QUARTZSPERRE** wird die Geschwindigkeit des Plattentellers auf die ursprüngliche Einstellung des Geschwindigkeitsreglers zurückführen.
- Der **PLATTENTELLER - PLATTER (2)** ist mit einem **STROBELICHT-U/ MIN-ANZEIGESTREIFEN - STROBE RPM INDICATOR STRIP (27)** ausgerüstet, und der **NETZSCHALTER - POWER (16)** enthält eingebaute **STROBELICHTER - STROBE LIGHTS (28)**. Wenn sich der **PLATTENTELLER - PLATTER (2)** dreht, erleuchten die **STROBELICHTER - STROBE LIGHTS (28)** den **STROBELICHT-U/ MIN-ANZEIGESTREIFEN - STROBE RPM INDICATOR STRIP (27)**. Die untere Punktreihe wird feststehend erscheinen, wenn die Tonhöhe -3,3% ist. Die zweite Punktreihe von unten wird feststehend erscheinen wenn die Drehzahl genau 33 1/3, 45 oder 78 U/min ist, je nachdem welche **DREHZAHLOWAHLTASTE - SPEED SELECTOR (18)** gedrückt wird. Die dritte Punktreihe von unten wird feststehend erscheinen wenn die Tonhöhe +3,3% ist. Die oberste Punktreihe wird feststehend erscheinen wenn die Tonhöhe +7,2% ist.

PITCH BEND-TASTEN:

- Wenn die **PITCH BEND (23)** Tasten (Beschleunigung / Abbremsung) gedrückt werden, wird die Geschwindigkeit automatisch angehoben oder gesenkt, ohne die Reglereinstellung zu verändern. Wenn die Tasten freigegeben werden, kehrt die Geschwindigkeit zur Reglereinstellung zurück. Sie können diese Funktion benutzen, um die Geschwindigkeitsunterschiede beim Mischen von einem Titel zum anderen anzupassen.

BENUTZUNG DER RÜCKWÄRTSLAUF-TASTE:

- Die **REVERSE (30) (RÜCKWÄRTSLAUF)** Taste drücken um den **PLATTENTELLER - PLATTER (2)** in die entgegengesetzte Richtung zu drehen (die **REVERSE LED (30A)** leuchtet auf). Die **REVERSE** Taste nochmals drücken um den Plattenteller zur normalen Drehrichtung zurückzubringen.

DIGITALANZEIGE:

- Die **DIGITALANZEIGE - DIGITAL DISPLAY (20)** zeigt **DREHZAHLOWAHLTASTE - SPEED (20A)**, **FADERAKTIVIERUNG - PITCH SLIDE ACTIVATION (20B)**, **ABSPIELEN - PLAY (20C)**, **PAUSE (20D)**, **RÜCKWÄRTSLAUF - REVERSE (20E)** und **DREHZAHLOWAHLTASTE - PITCH PERCENTAGE (20F)** an.

REGULIERUNG DER ARMLIFTHÖHE:

- Wenn der voreingestellte Abstand, bei dem der **CUEING-HEBEL - CUE LEVER (19)** die Nadel von der Plattenfläche hebt, nicht weit genug ist, kann dieser reguliert werden, indem man die **ARMLIFTHÖHENJUSTIERSCHRAUBE - ARM-LIFT HEIGHT ADJUSTMENT SCREW (29)** durch Drehen und gleichzeitiges Drücken auf den **TONARM - TONE ARM (6)** nachjustiert. Das Drehen der Schraube im Uhrzeigersinn wird den Abstand verringern, und das Drehen gegen den Uhrzeigersinn wird ihn verlängern.

Spezifikationen

PLATTENSPIELER:

Typ.....	Manueller Plattenspieler mit Quartzdirektantrieb
Antriebsmethode.....	Direktantrieb
Motor.....	Bürstenloser 18-V-Gleichstrommotor
Plattenteller.....	Druckguß 332 mm Durchmesser
Drehzahl.....	33 1/3, 45 oder 78 U/min
Anlaufmoment.....	2,2 Kg/cm
Hochlaufzeit.....	0,6 sec. Stillstand bis 33 1/3 U/min
Bremssystem.....	Elektronische Bremse
Gleichlaufschwankungen.....	0,01% WRMS*
* Dieser Nennwert bezieht sich nur auf das Laufwerk inklusive Plattenteller, ausschließlich Auswirkungen der Platten, Tonabnehmer oder Tonarme.	
Rumpeln.....	78 dB (IEC 98A WTD)

TONARM:

Typ.....	Gerader röhrenförmiger Universaltönenarm
Nutzlänge.....	231,5 mm (9 1/16")
Armhöhen-Einstellbereich.....	0 - 6 mm
Überhang.....	15,1 mm (19/32")
Effektive Masse.....	9 g (ohne Tonabnehmer)
Reibungswinkel.....	22°
Reibung.....	Wenige als 7 mg (seitlich, vertikal)
Abtastfehlerwinkel.....	Innerhalb 2°32' an der Außenrinne und innerhalb 0°32' an der Innenrinne einer 30-cm-Platte
Auflagedruck-Einstellbereich.....	0 - 5 g
Anwendbarer Tonabnehmer-Gewichtsbereich.....	6 - 10 g
Tonkopfgewicht.....	9 g

ALLGEMEINES:

Stromversorgung.....	115V~60Hz/230V~50Hz
Leistungsaufnahme.....	15W
Abmessungen.....	450 x 152 x 352 mm
Gewicht.....	12.3 kg

Technische Änderungen vorbehalten. Gewichtsangaben und Abmessungen sind annähernd.

Introducción

Felicitaciones por su compra del giradiscos profesional de accionamiento directo y de alto par motor Gemini SA-2400. Este giradiscos ultramoderno está dotado de las características más avanzadas de tecnología de giradiscos de accionamiento directo. Antes de usarlo, le sugerimos leer cuidadosamente todas las instrucciones.

Características

- Velocidad regulada por cuarzo
- Regulación del tono de $\pm 10\%$
- Frenado plenamente electrónico
- Iluminador estroboscópico
- Interruptor táctil de arranque/parada
- Reverse
- Pantalla Numérica

Precauciones

1. Deberán leerse todas las instrucciones de operación antes de usar el equipo.
2. Este aparato no debería estar expuesto al goteo o a las salpicaduras y ningún objeto llenado de líquido, tal como floreros, no debería estar colocado sobre del aparato.
3. Para reducir el riesgo de shock eléctrico, no abra la unidad. **NO CONTIENE PIEZAS REEMPLAZABLES POR EL USUARIO.** Sírvase comunicarse con el Departamento de Servicio Gemini o su distribuidor autorizado y hablar con un técnico de servicio calificado.
4. Los cojinetes del brazo de fonocaptor están ajustados y sellados en fábrica. Cualquier intento de ajuste dejará sin efecto la garantía.
5. Cerciórese de que toda la corriente CA esté APAGADA para efectuar las conexiones.
6. Los cables deberán ser de baja capacidad, reguardados, y de apropiada longitud. Cerciórese de que todos los enchufes y jacks estén apretados y debidamente conectados.
7. Comience siempre con los atenuadores de nivel de audio/control de volumen fijados en el nivel mínimo y el control de volumen de los altavoces fijados en APAGADO. Espere 8 a 10 segundos antes de aumentar el volumen de los altavoces para evitar el "chasquido" transitorio que podría ocasionar daños a los altavoces/de cruce.
8. No deje esta unidad expuesta a lluvia o humedad.
9. No use ningún limpiador de rocío o lubricante en cualquiera de los controles o interruptores.

Lista de comprobación de piezas

Unidad de tocadisco.....	1
Plato del tocadisco.....	1
Estera de neopreno.....	1
Tapa contra polvo.....	1
Bisagra de tapa contra polvo.....	2
Adaptador de 45 RPM.....	1
Contrapeso.....	1
Portacápsulas.....	1

Montaje y configuración

NOTA: VÉASE LA FIG. 1 (PÁGINA 1) PARA NÚMEROS DE PIEZA Y UBICACIONES.

INSTALACIÓN DEL TOCADISCO:

1. Ponga la **BASE DEL TOCADISCO - TURNTABLE BASE (1)** sobre una superficie plana y nivelada sin vibraciones. Trate de colocar la unidad lo mas alejado posible de los altavoces. Mantenga la unidad alejada de la

exposición directa del Sol, calor, humedad o suciedad. Mantenga la unidad bien ventilada. Use la patas del tocadisco para estabilizar la unidad en sentido horizontal.

2. Cerciórese de que el **SELECTOR DE VOLTAJE - VOLTAGE SELECTOR (3)** (colocado en la **BASE DEL TOCADISCO**) esté ajustado para el voltaje correcto. **ADVERTENCIA:** Si trata de hacer funcionar el tocadisco con el voltaje incorrecto, corre el riesgo de dañarlo.
3. Después de comprobar que se hayan quitado todos los materiales de embalaje, coloque el **PLATO - PLATTER (2)** suavemente en el huso central de la **BASE DEL TOCADISCO - TURNTABLE BASE (1)**.
4. Coloque la **ESTERA DE NEOPRENO - NEOPRENE MAT (4)** sobre el **PLATO - PLATTER (2)**.

INSTALACIÓN DEL CARTUCHO: (VÉASE LA FIG. 2)

Debido a que todos los cartuchos son de diseño distinto, sírvase referirse a las instrucciones de su cartucho específico, para garantizar la instalación correcta.

1. Conecte los cables conductores a los terminales del cartucho. Para su conveniencia, los terminales de la mayoría de los cartuchos están codificados por colores. Conecte cada cable conductor al terminal del mismo color.

Blanco (I+).....Canal izquierdo +
Azul (I-).....Canal izquierdo -
Rojo (D+).....Canal derecho +
Verde (D-).....Canal derecho -

2. Monte el cartucho dentro del **PORTACÁPSULAS - HEADSHELL (5)** y apriételo con los tornillos incluidos con el cartucho.

INSTALACIÓN DEL PORTACÁPSULAS:

Inserte el **PORTACÁPSULAS - HEADSHELL (5)** en la parte delantera del **BRAZO DE FONOCAPTOR - TONE ARM (6)** tubular. Sosteniendo el **PORTACÁPSULAS** firmemente en posición horizontal, gire la **TUERCA FIADORA - LOCKING NUT (7)** hacia la izquierda hasta que el **PORTACÁPSULAS** se haya asegurado en posición. El portacápsulas angular de Gemini fue diseñado para el uso con el brazo de fonocaptor recto. Es posible instalar cualquier tipo de cartucho en el portacápsulas angular de Gemini.

USO DEL BRAZO DE FONOCAPTOR RECTO:

Cuando se usa el brazo de fonocaptor recto con aguja tipo banana o un cartucho montado en un portacápsulas estándar, siempre se debería utilizar agujas del tipo cónico. Si se usa aguja elíptica, la aguja se posicionará correctamente en la ranura del disco pero un canal será más fuerte que el otro.

El brazo de fonocaptor recto de Gemini ha sido diseñado para que se alinee con las marcaciones en los discos LP cuando se usa un giradiscos con brazo de fonocaptor en forma de S.

INSTALACIÓN DEL CONTRAPESO: (VÉASE LA FIG. 3)

1. Deslice el **CONTRAPESO - COUNTERWEIGHT (8)** sobre la parte posterior del **BRAZO DEL FONOCAPTOR - TONE ARM (6)** con la medida de la aguja numerada hacia el frente.
2. Gire el **CONTRAPESO - COUNTERWEIGHT (8)** ligeramente hacia la izquierda para enroscarlo en la parte posterior del **BRAZO DE FONOCAPTOR - TONE ARM (6)**.

AJUSTE DEL EQUILIBRIO CERO (0) HORIZONTAL Y PRESIÓN DE LA AGUJA:

1. Sin tocar la punta de la aguja, quite el protector de aguja (si el de su cartucho es reemplazable).
2. Suelte el **SUJETABRAZO - ARM CLAMP (9)** y levante el **BRAZO DE FONOCAPTOR - TONE ARM (6)** del **DESCANSILLO - ARM REST (10)**.
3. Si el **CONTRAPESO - COUNTERWEIGHT (8)** se avanza hacia la izquierda, se bajará el lado del cartucho del **BRAZO DE FONOCAPTOR - TONE ARM (6)**. Si el **CONTRAPESO** se avanza hacia la derecha ocurrirá lo contrario. Gire el **CONTRAPESO** hacia la derecha o la izquierda según sea necesario hasta que el **BRAZO DE FONOCAPTOR**

esté horizontalmente equilibrado. Ese equilibrio es fácil de determinar; espere el punto en que el **BRAZO DE FONOCAPTOR** "flote" libremente.

- Coloque el **BRAZO DE FONOCAPTOR - TONE ARM (6)** sobre el **DESCANSILLO - ARM REST (10)** y asegúrelo en posición con el **SUJETABRAZO - ARM CLAMP (9)**.
- Con el **BRAZO FONOCAPTOR - TONE ARM (6)** enganchado en el **PORTABRAZO - ARM REST (10)**, sostenga el **CONTRAPESO - COUNTERWEIGHT (8)** en una mano y gire el **ANILLO DE PRESIÓN DEL ESTILETE - STYLUS PRESSURE RING (11)** hasta que el número "0" en el anillo se alinee con la línea central del eje trasero del **BRAZO FONOCAPTOR**. El equilibrio horizontal en cero (0) deberá quedar completo.
- Flote de nuevo el **BRAZO FONOCAPTOR** para asegurarse que se haya obtenido el equilibrio horizontal en cero (0). Si no se ha mantenido este equilibrio, repita los pasos de contrapeso 3 al 5.
- Después de ajustar el equilibrio cero (0) horizontal, gire el **CONTRAPESO - COUNTERWEIGHT (8)** equilibrado hacia la izquierda hasta que aparezca en el **ARO DE PRESIÓN DE AGUJA - STYLUS PRESSURE RING (11)** la presión de aguja recomendada del fabricante del cartucho en el punto donde coincide con la línea central del eje posterior del **BRAZO DE FONOCAPTOR - TONE ARM (6)**.

AJUSTE DEL CONTROL ANTIDESLIZANTE:

Fije el **CONTROL ANTIDESLIZANTE - ANTI-SKATING CONTROL (12)** al mismo valor que la presión de la aguja.

AJUSTE DE LA ALTURA DEL BRAZO DE FONOCAPTOR:

La altura del brazo de fonocaptor es ajustable entre 0 y 6 mm. Se incluye una **ESCALA DE ALTURA - HEIGHT SCALE (14)** (en incrementos de 0,5mm) para ayudar a lograr un ajuste preciso.

- Desenganche el brazo de fonocaptor, girando la perilla de **ENGANCHE DE BRAZO - ARM LOCK (15)** en sentido contrario a la posición de enganche.
- Busque la altura del cartucho en el Cuadro A y determine su valor correspondiente en la escala de alturas.
- Gire el **ARO DE AJUSTE DE ALTURA - ARM HEIGHT ADJUSTMENT RING (13)** hasta que la línea de referencia en el aro esté situada en la lectura correcta de la escala.
- Enganche el brazo de fonocaptor en posición, girando la perilla de **ENGANCHE DE BRAZO - ARM LOCK (15)** hacia la derecha hasta que llegue a la posición asegurada.

CUADRO A

Altura del cartucho (mm)	Lectura de la escala
15	0
16	1
17	2
18	3
19	4
20	5
21	6

Por ejemplo, si el cartucho tiene una altura de 18,5mm, la línea de referencia del **ARO DE AJUSTE DE ALTURA DEL BRAZO - ARM HEIGHT ADJUSTMENT RING (13)** deberá situarse entre 3 y 4 en la **ESCALA DE ALTURAS - HEIGHT SCALE (14)**.

INSTALACIÓN DE LA TAPA CONTRA POLVOS:

- Instale las bisagras en la cubierta.
- Sostenga la tapa contra polvos en posición directamente arriba del tocadisco y deslice las bases de las bisagras en los portabisagras montados en el panel posterior.
- Siempre levante la tapa contra polvos antes de quitarla.
- Evite abrir y cerrar la tapa contra polvos cuando el tocadisco está en funcionamiento, ya que podría ocurrir vibración indeseable y saltos de la aguja.

CONEXIONES:

- Conecte el enchufe CA en una toma de corriente apropiada.
- Véase el Cuadro A para las conexiones apropiadas de los enchufes de salida RCA y el conector a tierra. Cerciérese de que todos los enchufes estén firmemente conectados en los jack apropiados (entradas fonográficas). Para reducir el zumbido, cerciéreese de que la toma de tierra esté firmemente conectada al tornillo de tierra.

CUADRO B

CONECTORES DE SALIDA	MEZCLADOR O RECEPTOR
I (BLANCO)	I CANAL DEL FONÓGRAFO
D (ROJO)	D CANAL DEL FONÓGRAFO
TIERRA (Orejeta de paleta)	Tornillo de TIERRA

Instrucciones de operación

OPERACIÓN BÁSICA:

- Ponga un disco sobre la **ESTERA DE NEOPRENO - NEOPRENE MAT (4)** que descansa sobre el **PLATO - PLATTER (2)**.
- Seleccione la velocidad deseada oprimiendo el **BOTÓN SELECTOR DE VELOCIDAD - SPEED SELECTOR (18)** de 33 ó 45. Para obtener la velocidad de 78, oprima a la vez ambos **BOTONES SELECTORES DE VELOCIDAD** de 33 y 45.
- Ponga el **ALIMENTACIÓN - POWER (16)** en la posición de "ENCENDIDO", en cuyo momento se encenderán el iluminador estroboscópico (incorporado en el **ALIMENTACIÓN** y el indicador de velocidad (para la velocidad seleccionada).
- Quite el protector de aguja (si se aplica a su cartucho).
- Suelte el **SUJETABRAZO - ARM CLAMP (9)** que se encuentra en el **DESCANSILLO - ARM REST (10)**.
- Oprima el **BOTÓN DE ARRANQUE/PARADA - START STOP (17)**. El **PLATO - PLATTER (2)** del tocadisco empezará a girar.
- Oprima la **PALANCA DE INDICACION - CUE LEVER (19)** en la posición de "ARRIBA".
- Sítúe el brazo de fonocaptor arriba del surco deseado en el disco y ponga la **PALANCA DE INDICACION** en la posición de "ABAJO". El **BRAZO DE FONOCAPTOR - TONE ARM (6)** se bajará lentamente sobre el disco en cuyo momento empezará a reproducir.
- Una vez que haya terminado de reproducir, levante el **BRAZO DE FONOCAPTOR - TONE ARM (6)**, MUEVALO hacia el **DESCANSILLO - ARM REST (10)** y fíjelo con el **SUJETABRAZO - ARM CLAMP (9)**.
- Ahora tiene la opción de apagar la unidad, pasando el **ALIMENTACIÓN - POWER (16)** a la posición de "APAGADO" o de detener el **PLATO - PLATTER (2)**, oprimiendo el **BOTÓN DE ARRANQUE/PARADA - START STOP (17)** y enganchando el freno electrónico.

INTERRUPCIÓN DE LA REPRODUCCIÓN:

- Oprimiendo la **PALANCA DE INDICACION - CUE LEVER (19)** a la posición de "ARRIBA", causara que el **BRAZO DE FONOCAPTOR - TONE ARM (6)** se levantará y se detengá la reproducción.
- Oprimiendo la **PALANCA DE INDICACION - CUE LEVER (19)** a la posición de "ABAJO" causara que el **BRAZO DE FONOCAPTOR - TONE ARM (6)** se baje lentamente sobre el disco en el lugar donde se interrumpió la reproducción.

REPRODUCCIÓN DE DISCOS DE 45 RPM:

- Para reproducir un disco de 45 RPM con un agujero central más grande, ponga primero el **ADAPTADOR DE 45** en el huso central.
- Cerciéreese de que se haya oprimido el **BOTÓN SELECTOR DE VELOCIDAD - SPEED SELECTOR (18)** 45 y que esté iluminado el indicador de velocidad 45.

LUZ DE POSICIÓN:

1. Al oprimir firmemente el **INTERRUPTOR DE LUZ DE POSICIÓN - TARGET LIGHT SWITCH (21)**, la **LUZ DE POSICIÓN - TARGET LIGHT (22)** subirá a su posición e iluminará la punta de la aguja.
2. Para bajar la **LUZ DE POSICIÓN**, presiónela hacia abajo hasta que se enganche en su caja.
3. Cuando no esté en uso, la **LUZ DE POSICIÓN** deberá mantenerse en la posición de abajo.

AJUSTE DEL CONTROL DE TONO:

1. El tocadiscos SA-2400 está dotado de un **CONTROL DE TONO - PITCH CONTROL (24)** y de un **REGULADOR DE CUARZO - QUARTZ LOCK (26)**. Cuando el **REGULADOR DE CUARZO** está activado, la **LED del TONO - QUARTZ LOCK LED (25)** se pone **VERDE** y la velocidad será exactamente 33 1/3, 45 ó 78 RPM según la velocidad que se haya escogido sin tener cuenta de la posición del control de tono. El **CONTROL DE TONO** se desactiva automáticamente cuando se active el **REGULADOR DE CUARZO**.
2. Cuando el **REGULADOR DE CUARZO** está desactivado, se puede ajustar el **CONTROL DE TONO**. Cuando el **CONTROL DE TONO** se mueve en una posición descentrada, el tono podrá variar en $\pm 10\%$ según la posición del **CONTROL DE TONO**.
3. Oprima el botón del **CONTROL DE TONO** para restablecer la velocidad a precisamente 33 1/3, 45 ó 78 RPM cuando el **CONTROL DE TONO** esté descentrada. La desactivación del **REGULADOR DE CUARZO** llevará la velocidad del plato de nuevo al ajuste original del tono.
4. El **PLATO - PLATTER (2)** está dotado de una **TIRA INDICADORA DE RPM ESTROBOSCÓPICA - STROBE RPM INDICATOR STRIP (27)** y el **INTERRUPTOR DE ENERGÍA - POWER (16)** contiene **LUCES ESTROBOSCÓPICAS - STROBE LIGHTS (28)** incorporadas. Cuando el **PLATO - PLATTER (2)** gira, las **LUCES ESTROBOSCÓPICAS** iluminan la **TIRA INDICADORA DE RPM ESTROBOSCÓPICA**. La fila inferior de puntos parecerá estar estacionaria cuando el tono sea -3,3%. La segunda fila de puntos del fondo parecerá estar estacionaria cuando la velocidad sea exactamente 33 1/3, 45 ó 78 RPM según el **BOTON SELECTOR DE VELOCIDAD - SPEED SELECTOR (18)** que se haya oprimido. La tercera fila de puntos del fondo parecerá estar estacionaria cuando el tono sea +3,3%. La fila de puntos superior parecerá estacionaria cuando el tono sea +7,2%.

PITCH BEND BUTTONS (BOTONES DE AFINACIÓN DEL TONO):

1. El hecho de apretar los botones **PITCH BEND (23)** alza o baja automáticamente el tono sin cambiar la posición de la llave corrediza. Soltando los botones, se vuelve el tono a la graduación de la llave corrediza. Se puede utilizar esta función para igualar la afinación del tono cuando se mezclan canciones.

EMPLEO DEL PULSADOR REVERSE

1. Apriete el pulsador **REVERSE (30)** para invertir la dirección de marcha del **PLATO - PLATTER (2)** (el **REVERSE DEL - REVERSE LED (30A)** se encenderá durante la marcha inversa). Apriete el pulsador **REVERSE** otra vez para volver a la marcha normal.

PANTALLA NUMÉRICA:

1. La **PANTALLA NUMÉRICA - DIGITAL DISPLAY (20)** indica la **VELOCIDAD - SPEED (20A)**, la **ACTIVACIÓN PITCH SLIDE - PITCH SLIDE ACTIVATION (20B)**, la **REPRODUCCIÓN - PLAY (20C)**, la **PAUSA - PAUSE (20D)**, **INVERSO - REVERSE (20E)** y el **PORCENTAJE DEL PITCH - PITCH PERCENTAGE (20F)**.

AJUSTE DE ALTURA DEL ALZABRAZO:

1. Si la distancia preajustada que la **PALANCA DE INDICACION - CUE LEVER (19)** levanta la aguja arriba del disco no resulta adecuada, podrá ajustarse girando el **TORNILLO DE AJUSTE DE ALTURA DEL ALZABRAZO - ARM-LIFT HEIGHT ADJUSTMENT SCREW (29)** y presionando simultáneamente hacia abajo sobre el **BRAZO DE FONOCAPTOR - TONE ARM (6)**. La rotación hacia la derecha del tornillo disminuirá la distancia, y la rotación hacia la izquierda la aumentará.

Especificaciones

SECCIÓN DE TOCADISCO:

Tipo.....Tocadisco manual de transmisión directa de cuarzo
Método de transmisión.....Transmisión directa
Motor.....Motor de 18 V CC sin escobillas
Plato.....Troquelado de aluminio, 13p" (332mm) de diám.
Velocidad.....33 1/3, 45, 78 RPM
Par motor de arranque.....2,2 Kg/cm (1.3 lb/in)
Características de cebado.....0.6 sec. standstill to 33 1/3 RPM
Sistema de frenado..... Freno electrónico
Gimoteo y tremolación.....0.01% WRMS*
*Este valor se refiere al conjunto de tocadisco y plato solamente, y excluye los efectos de los discos, cartuchos o brazos de fonocaptor.

Rumor sordo.....78 dB (IEC 98A WTD)

SECCIÓN DE BRAZO DE FONOCAPTOR:

Tipo.....Brazo tubular recto universal
Largo efectivo.....9 1/16" (231.5 mm)
Gama de ajuste de altura del brazo.....0 - 6 mm
Proyección.....19/32" (15.1 mm)
Masa efectiva.....9 g (Sin cartucho)
Ángulo del fonocaptor.....22°
Fricción.....Menos de 7 mg (lateral, vertical)
Ángulo de error de seguimiento.....Dentro de 232" en el surco exterior y dentro de 032" en el surco interior de un disco de 30 cm (12")

Gama de ajuste de presión de la aguja.....0 - 5 g
Gama aplicable de peso de cartucho.....6 - 10 g
Peso del portafonocaptor.....9 g

GENERALIDADES:

Fuente de alimentación.....115V~60Hz/230V~50Hz
Consumo de energía.....15 vatios
Dimensiones.....450 x 152 x 352 mm
Peso.....12.3 kg

Las especificaciones están sujetas a cambio sin previo aviso. El peso y las dimensiones indicados son aproximaciones.

Introduction

Nos félicitations à l'occasion de votre achat de la platine vinyle professionnelle Hi-Torque à entraînement direct pilotée par quartz SA-2400 de Gemini. Cette platine vinyle très moderne inclut les dernières caractéristiques de la technologie de platines vinyles à entraînement direct. Avant son emploi, nous vous recommandons de lire soigneusement les instructions.

Caractéristiques

- Vitesse contrôlée par quartz
- Réglage de vitesse +/-10%
- Freinage entièrement électronique
- Source lumineuse stroboscopique
- Commutateur marche/arrêt
- Reverse
- Affichage Numérique

Précautions

1. Toutes les instructions de fonctionnement doivent être lues avant de vous servir de cet appareil.
2. Cet appareil ne devrait pas être exposé aux égouttements ou aux éclaboussures et aucun objet rempli de liquide, p.e. vases, ne devrait être placé sur l'appareil.
3. Afin réduire tout risque de chocs électriques, vous êtes prié de ne pas ouvrir l'appareil. Ce dernier ne contient pas DE PIÈCES À REMPLACER PAR L'UTILISATEUR À L'INTÉRIEUR. En cas de problème, merci de contacter le service technique de Gemini ou votre revendeur habituel.
4. Les roulements du bras de lecture ont été ajustés et scellés à l'usine. Toute tentative d'ajustement ou de réglage par l'utilisateur annulera la garantie.
5. Avant d'effectuer les branchements, vérifiez que l'appareil n'est pas sous tension.
6. Le câblage doit avoir une faible capacité; il doit être blindé et avoir la bonne longueur. Tous les connecteurs RCA et fiches doivent être bien serrés et convenablement branchés.
7. Commencez toujours vos réglages en ayant le volume réglé au minimum et la (les) commande(s) du volume des haut-parleurs sur OFF (arrêt). Attendez 8 à 10 secondes avant d'augmenter le volume des haut-parleurs afin de prévenir le "bruit" transitoire qui pourrait endommager des haut-parleurs.
8. Protégez cet appareil de la pluie et l'humidité.
9. N'utilisez aucun produit de nettoyage ou lubrifiant (spray) sur les commandes ou interrupteurs de l'appareil.

Liste des pièces

Platine vinyle.....	1
Plateau de lecture.....	1
Feutrine néoprène.....	1
Capot anti-poussière.....	1
Charnière du capot anti-poussière.....	2
Adaptateur 45 RPM.....	1
Contrepoids.....	1
Porte-cellule pour cellule de lecture.....	1

Montage et configuration

NOTA: VOIR LA FIGURE 1 (PAGE 1) POUR LES NUMEROS DES PIÈCES ET LES EMPLACEMENTS.

INSTALLATION DE LA PLATINE VINYLE:

1. Placez l'**EMBASE DE LA PLATINE VINYLE - TURNTABLE BASE (1)** sur une surface plane et équilibrée sans vibrations. Essayez de placer

l'appareil aussi loin que possible des haut-parleurs. Protégez l'appareil contre les rayons directs du soleil, la chaleur, l'humidité et les saletés. Assurez une bonne ventilation pour l'appareil. Utilisez les pieds pour stabiliser l'appareil horizontalement.

2. Assurez-vous que le **SELECTEUR DE LA TENSION - VOLTAGE SELECTOR (3)** (situé sur la **PLATINE VINYLE**) soit correctement réglé. **AVERTISSEMENT:** Si vous essayez de faire fonctionner la platine vinyle avec une tension incorrecte, vous risquez de l'endommager.
3. Après avoir retiré tout l'emballage, positionnez soigneusement le **PLATEAU DE LECTURE - PLATTER (2)** sur l'axe central de la **PLATINE VINYLE - TURNTABLE BASE (1)**.
4. Placez la **FEUTRINE EN NEOPRENE - NEOPRENE MAT (4)** sur le **PLATEAU DE LECTURE - PLATTER (2)**.

INSTALLATION DE LA CELLULE DE LECTURE: (VOIR LA FIGURE 2)

Etant donné que toutes les cellules de lecture ont leurs propres particularités, consultez les instructions de votre cellule de lecture pour vous assurer d'une bonne installation.

1. Branchez les fils aux bornes de la cellule de lecture. Pour vous faciliter la tâche, les bornes de la plupart des cellules de lecture sont codées par couleurs. Branchez chaque fil à la borne de la même couleur.
Blanc (L+).....Canal gauche +
Bleu (L-).....Canal gauche -
Rouge (R+).....Canal droit +
Vert (R-).....Canal droit -
2. Installez la cellule de lecture sur le **PORTE-CELLULE - HEADSHELL (5)** et serrez-la bien avec les vis fournies avec la cellule de lecture.

INSTALLATION DU PORTE-CELLULE:

Introduisez le **PORTE-CELLULE - HEADSHELL (5)** sur le devant du **BRAS DE LECTURE - TONE ARM (6)** tubulaire. Tout en tenant le **PORTE-CELLULE** fermement dans la position horizontale, tournez l'**ECROU DE BLOCAGE - LOCKING NUT (7)** dans le sens contraire des aiguilles d'une montre jusqu'à ce que le **PORTE-CELLULE** soit verrouillé. Le porte-cellule en biais de Gemini a été conçu pour l'emploi avec un bras de lecture droit. Il est possible de monter tout type de cellule de lecture sur ce dernier.

UTILISATION DU BRAS DE LECTURE DROIT:

Lorsqu'un bras de lecture droit s'utilise avec une cellule de lecture de type banane (concorde) ou avec une cellule de lecture montée sur un porte-cellule traditionnel, il faudrait toujours utiliser une aiguille du type conique. Si vous utilisez une cellule de lecture équipée d'un diamant elliptique, la cellule de lecture se positionnera correctement dans le sillon du disque, mais une voie aura un niveau sonore plus élevé que l'autre.

Le bras de lecture droit de Gemini a été conçu afin de s'aligner avec les repères des disques LP que vous avez faits lorsque vous utilisez une platine vinyle équipée d'un bras de lecture en S.

INSTALLATION DU CONTREPOIDS: (VOIR LA FIGURE 3)

1. Glissez le **CONTREPOIDS - COUNTERWEIGHT (8) (COUNTERWEIGHT)** sur l'extrémité arrière du **BRAS DE LECTURE - TONE ARM (6)**, la jauge de l'aiguille numérotée étant tournée vers l'avant.
2. Tournez le **CONTREPOIDS - COUNTERWEIGHT (8)** légèrement dans le sens contraire des aiguilles d'une montre afin de le visser sur l'extrémité arrière du **BRAS DE LECTURE - TONE ARM (6)**.

REGLAGE DE L'EQUILIBRE ZERO (0) HORIZONTAL ET DE LA PRESSION DE LA CELLULE DE LECTURE:

1. Sans toucher le diamant de la cellule de lecture, enlevez la protection du diamant de lecture
2. Desserrez le **SERRE-BRAS - ARM CLAMP (9)** et soulevez le **BRAS DE LECTURE - TONE ARM (6)** du **PORTE-BRAS - ARM REST (10)**.
3. Lorsque vous tournez le **CONTREPOIDS - COUNTERWEIGHT (8)** dans le sens inverse des aiguilles d'une montre, la cellule de lecture montée sur le **BRAS DE LECTURE - TONE ARM (6)** descendra. Lorsque vous tournez le contrepoids dans le sens inverse, la cellule de lecture remontera. Tournez le **CONTREPOIDS** dans le sens horaire ou

dans le sens inverse des aiguilles d'une montre selon le besoin, jusqu'à ce que le **BRAS DE LECTURE** soit équilibré horizontalement. Lorsque ce moment se produit, et vous le verrez facilement, le **BRAS DE LECTURE** "flotte" librement.

- Placez le **BRAS DE LECTURE - TONE ARM (6)** sur le **PORTE-BRAS - ARM REST (10)** bloquez-le en place avec le **SERRE-BRAS - ARM CLAMP (9)**.
- Le **BRAS DE LECTURE - TONE ARM (6)** étant verrouillé sur le **PORTE-BRAS - ARM REST (10)**, stabilisez le **CONTREPOIDS - COUNTERWEIGHT (8)** avec une main tout en tournant l'**ANNEAU DE PRESSION DE L'AIGUILLE - STYLUS PRESSURE RING (11)** jusqu'à ce que le numéro "0" sur l'anneau s'aligne avec la ligne médiane sur l'arbre arrière du **BRAS DE LECTURE**. L'équilibre zéro horizontal (0) devrait être complété.
- Faites flotter le **BRAS DE LECTURE** de nouveau pour vous assurer de l'équilibre zéro horizontal (0). Si l'équilibre zéro n'est pas maintenu, répétez les étapes 3-5 du contrepois.
- Après le réglage de l'équilibre zéro (0) horizontal, tournez le **CONTREPOIDS - COUNTERWEIGHT (8)** équilibré dans le sens inverse des aiguilles d'une montre jusqu'à ce que la pression de la cellule de lecture recommandée par le fabricant apparaisse sur la **BAGUE DE PRESSION DE L'AIGUILLE - STYLUS PRESSURE RING (11)** là où elle rencontre la ligne médiane de l'arbre arrière du **BRAS DE LECTURE - TONE ARM (6)**.

REGLAGE DE L'ANTI-SKATING:

Mettez la **COMMANDE ANTI-DERAPAGE - ANTI-SKATING CONTROL (12)** à la même valeur que celle de la pression de l'aiguille.

REGLAGE DE LA HAUTEUR DU BRAS DE LECTURE:

La hauteur du bras de lecture est réglable entre 0 et 6 mm. Une **ECHELLE DE HAUTEUR - HEIGHT SCALE (14)** (incrémentés par pas de 0,5 mm) est fournie pour vous permettre un réglage précis.

- Dévissez le bras de lecture en tournant le bouton **BLOCAGE DU BRAS - ARM LOCK (15)** dans le sens opposé de la position verrouillée.
- Consultez la hauteur de la cellule de lecture sur le Tableau A et trouvez la lecture de l'échelle de hauteur correspondante.
- Tournez la **BAGUE DE REGLAGE DE LA HAUTEUR - ARM HEIGHT ADJUSTMENT RING (13)** jusqu'à ce que la ligne de référence sur la bague corresponde à la lecture de l'échelle correcte.
- Bloquez le bras de lecture en tournant le bouton **BLOCAGE DU BRAS - ARM LOCK (15)** dans le sens horaire jusqu'à ce qu'il soit verrouillé.

TABLEAU A

Hauteur de la cartouche (mm)	Lecture de l'échelle
15	0
16	1
17	2
18	3
19	4
20	5
21	6

Par exemple, si la hauteur de la cartouche est égale à 18,5 mm, la ligne de référence de la **BAGUE DE REGLAGE DE LA HAUTEUR DU BRAS - ARM HEIGHT ADJUSTMENT RING (13)** doit être positionnée entre 3 et 4 sur l'**ECHELLE DE LA HAUTEUR - HEIGHT SCALE (14)**.

INSTALLATION DU CAPOT ANTI-POUSSIÈRE:

- Montez les charnières sur le capot anti-poussière.
- Tenez le capot anti-poussière en position, directement au-dessus du plateau de lecture, et glissez les bases des articulations dans les porte-articulations se trouvant sur le panneau arrière.
- Soulevez toujours le capot anti-poussière avant de l'enlever.
- N'ouvrez et ne fermez pas le capot durant le fonctionnement de la platine vinyle. Ceci pourrait produire des vibrations indésirées et le dérapage de l'aiguille.

CONNEXIONS:

- Branchez la fiche à courant alternatif à une prise adéquate.
- Voir le Tableau B afin d'effectuer correctement les connexions des fiches RCA de sortie et du connecteur de mise à la terre. Assurez-vous que toutes les fiches soient solidement raccordées dans les RCA prévus à cet effet (entrées phono). Pour réduire les problèmes de masse (ronronnement), assurez-vous que la mise à la terre de la platine ait été réalisé correctement.

TABLEAU B

CONNECTEURS DE SORTIE	MELANGEUR OU RECEPTEUR
L (BLANC)	L CANAL PHONO
R (ROUGE)	R CANAL PHONO
Masse (Oeillet)	Vis de mise à la masse

Mode d'emploi

FONCTIONNEMENT DE BASE:

- Placez un disque sur la **FEUTRINE EN NEOPRENE - NEOPRENE MAT (4)** se trouvant sur le **PLATEAU DE LECTURE - PLATTER (2)**.
- Choisissez la vitesse désirée en appuyant sur le **SÉLECTEUR DE VITESSE - SPEED SELECTOR (18)** 33 ou 45. Appuyez sur les deux **SÉLECTEURS DE VITESSE** 33 et 45 à la fois pour sélectionner 78 tours par minute.
- Mettez l'**INTERRUPTEUR DE MISE SOUS TENSION - POWER (16)** sur la position "ON" (Sous tension); à ce moment, la source lumineuse stroboscopique (intégrée à l'**INTERRUPTEUR DE MISE SOUS TENSION** et l'indicateur de vitesse (pour la vitesse choisie) s'allumeront.
- Enlevez la protection de la cellule de lecture (si elle fait partie de votre cellule de lecture).
- Libérez le **SERRE-BRAS - ARM CLAMP (9)** qui se trouve sur le **PORTE-BRAS - ARM REST (10)**.
- Appuyez sur le **BOUTON MARCHE/ARRET - START STOP (17)**. Le **PLATEAU - PLATTER (2)** de la platine vinyle commencera à tourner.
- Poussez le **LEVIER DE COMMANDE - CUE LEVER (19)** vers la position "UP" (haut).
- Positionnez le bras de lecture au-dessus du sillon désiré du disque et poussez le **LEVIER DE COMMANDE** vers la position "DOWN" (Bas). Le **BRAS DE LECTURE - TONE ARM (6)** descendra lentement et déposera la cellule de lecture sur le disque; à ce moment, vous entendrez l'enregistrement.
- Une fois l'enregistrement terminé, soulevez le **BRAS DE LECTURE - TONE ARM (6)**, guidez-le vers le **PORTE-BRAS - ARM REST (10)** et bloquez-le à l'aide du **SERRE-BRAS - ARM CLAMP (9)**.
- Maintenant, vous avez le choix de mettre l'appareil hors tension en tournant l'**INTERRUPTEUR - POWER (16)** sur la position "OFF" (hors tension) ou d'arrêter le **PLATEAU DE LECTURE - PLATTER (2)** en appuyant sur le **BOUTON MARCHE/ARRET - START STOP (17)** pour activer le frein électronique.

ARRET DE LA LECTURE:

- Lorsque vous poussez le **LEVIER DE COMMANDE - CUE LEVER (19)** vers la position "UP" (haut), le **BRAS DE LECTURE - TONE ARM (6)** montera et la lecture de l'enregistrement s'arrêtera.
- Lorsque vous poussez le **LEVIER DE COMMANDE** vers la position "DOWN" (bas), le **BRAS DE LECTURE - TONE ARM (6)** descendra lentement et déposera la cellule de lecture sur le disque au point où la lecture avait été interrompue.

DISQUES DE 45 T/MN:

- Lorsque vous jouez un disque de 45 t/mn, placez d'abord l'**ADAPTATEUR 45 t/mn** sur l'axe central.
- Assurez-vous d'appuyer sur le **SÉLECTEUR DE VITESSE - SPEED SELECTOR (18)** 45 et que l'indicateur de vitesse 45t/mn soit allumé.

ECLAIRAGE DE LA TETE DE LECTURE:

1. Lorsque vous appuyez bien sur l'**INTERRUPTEUR D'ECLAIRAGE DE LA TETE DE LECTURE - TARGET LIGHT SWITCH (21)**, celle-ci monte et s'allume automatiquement afin d'éclairer la cellule de lecture.
2. Pour faire descendre l'**ECLAIRAGE DE LA TETE DE LECTURE LUMIERE CIBLE - TARGET LIGHT (22)**, appuyez sur celle-ci jusqu'à ce qu'elle se bloque dans le socle de la platine.
3. Gardez l'**ECLAIRAGE DE LA TETE DE LECTURE** en position basse si vous ne souhaitez pas l'utiliser.

REGLAGE DE VITESSE PAR PITCH LINEAIRE:

1. La platine vinyle SA-2400 est équipée d'une **COMMANDE DE REGLAGE DE VITESSE - PITCH CONTROL (24)** et d'un **RÉGULATEUR PILOTE PAR QUARTZ - QUARTZ LOCK (26)**. Lorsque le **RÉGULATEUR** est activé, la **LED DU REGLAGE DE VITESSE PAR QUARTZ - QUARTZ LOCK LED (25)** s'allume en **VERT** et la vitesse sera exactement de 33 1/3, 45 ou 78 tours par minute selon la vitesse choisie sans tenir compte de la position du pitch. Celle-ci sera désactivée automatiquement dès l'activation du **REGULATEUR PILOTE PAR QUARTZ**.
2. Lorsque le **RÉGULATEUR PAR QUARTZ** est désactivé, vous pouvez ajuster le **REGLAGE DE VITESSE**. Lorsque cette commande est décentrée, la hauteur tonale peut varier de +/- 10% selon la position occupée par la **COMMANDE DE REGLAGE DE VITESSE**.
3. Appuyez sur le bouton du **RÉGULATEUR PAR QUARTZ** pour ramener la vitesse à exactement 33 1/3, 45 ou 78 tours par minute lorsque la **COMMANDE DE REGLAGE DE VITESSE** est décentrée. La désactivation du **RÉGULATEUR PAR QUARTZ** remettra la vitesse du plateau sur le réglage original de la vitesse.
4. Le **PLATEAU DE LECTURE - PLATTER (2)** est équipé d'une **BANDE INDICATRICE RPM - STROBE RPM INDICATOR STRIP (27)** et l'**INTERRUPTEUR DE MISE SOUS TENSION - POWER (16)** incorpore des **LUMIERES STROBOSCOPIQUES - STROBE LIGHTS (28)**. Lorsque le **PLATEAU DE LECTURE - PLATTER (2)** tourne, les **LUMIERES** illumineront la **BANDE INDICATRICE RPM**. La rangée de points inférieure apparaîtra stationnaire lorsque le réglage de vitesse indique -3,3%. La seconde rangée de points à partir du fond apparaîtra stationnaire quand la vitesse sera exactement de 33 1/3, 45 ou 78 tours par minute selon le **SELECTEUR DE VITESSE - SPEED SELECTOR (18)** enclenché. La troisième rangée de points à partir du fond apparaîtra stationnaire quand le réglage de vitesse indique +3,3%. La rangée de points supérieure apparaîtra stationnaire quand le réglage de vitesse indique +7,2%.

PITCH BEND BUTTONS (TOUCHES DE RATTRAPAGE):

1. Le fait d'appuyer sur les **PITCH BEND (23)** (touches de rattrapage) augmentera ou réduira automatiquement la vitesse de lecture sans changer le réglage de la tonalité. Le fait de relâcher les touches permet de retrouver instantanément le réglage initial de la **COMMANDE DE REGLAGE DE VITESSE**. Vous pouvez utiliser cette fonction afin de synchroniser le disque que vous êtes en train de mixer.

UTILISATION DE LA TOUCHE REVERSE

1. Appuyez sur la touche **REVERSE (30)** pour inverser le sens de rotation du **PLATEAU DE LECTURE - PLATTER (2)** (la **REVERSE LED (30A)** s'allumera durant la marche en sens inverse). Appuyez sur la touche **REVERSE** une seconde fois pour revenir à la marche normale.

AFFICHAGE NUMÉRIQUE:

1. L'**AFFICHAGE NUMÉRIQUE - DIGITAL DISPLAY (20)** indique la **VITESSE - SPEED (20A)**, l'**ACTIVATION PITCH (COMMANDE DE REGLAGE DE VITESSE) - PITCH SLIDE ACTIVATION (20B)**, le mode **LECTURE - PLAY (20C)**, le mode **PAUSE (20D)**, le mode lecture **ARRIÈRE - REVERSE (20E)** et le **POURCENTAGE DE REGLAGE DE VITESSE - PITCH PERCENTAGE (20F)**.

REGLAGE DE LA HAUTEUR DE MONTEE DU BRAS:

1. Si la distance pré-réglée du **LEVIER DE COMMANDE - CUE LEVER (19)** ne permet pas à la cellule de lecture d'atteindre le disque, c'est que ce réglage est inadéquate. Ce réglage peut être ajusté en tournant la **VISSE DE REGLAGE DE LA HAUTEUR DE MONTEE DU BRAS - ARM-LIFT HEIGHT ADJUSTMENT SCREW (29)** tout en poussant simultanément en bas sur le **BRAS DE LECTURE - TONE ARM (6)**. La rotation dans le sens horaire de la visse réduira la hauteur de réglage du bras de lecture et la rotation dans le sens inverse des aiguilles d'une montre augmentera la hauteur de réglage du bras de lecture.

Caractéristiques Techniques

PLATINE VINYLE:

Type.....	platine vinyle manuelle à transmission directe piloté par quartz
Type d'entraînement.....	Transmission directe
Moteur.....	Moteur courant continu 18V sans balais
Plateau de lecture.....	Moulé par injection, en aluminium, de 332 mm (13 pouces) de diamètre
Vitesse.....	33 1/3, 45 ou 78 t/mn
Couple de démarrage.....	2,2 kg/cm (1,3 liv./po.)
Caractéristiques d'accélération.....	33 1/3 t/mn en 0,6 sec
Système de freinage.....	Frein électronique
Pleurage et scintillement.....	0,01% WRMS*
*Cette valeur ne correspond qu'à la platine vinyle et au plateau de lecture, à l'exception des effets produits par les disques, la cellule ou le bras de lecture.	
Ronflement.....	78 dB (IEC 98A WTD)

BRAS DE LECTURE:

Type.....	Bras tubulaire droit universel
Longueur réelle.....	231,5 mm (9 1/16")
Plage de réglage de la hauteur du bras.....	de 0 à 6 mm
Surplomb.....	15,1 mm (19/32 po.)
Poids réel.....	9 g (sans cartouche)
Déplacement angulaire.....	22°
Friction.....	moins de 7 mg (latérale, verticale)
Angle d'erreur de sillon.....	à 2 32' près du sillon externe et à 0°32' près du sillon interne d'un disque de 30 cm
Réglage de la pression de la cellule de lecture.....	de 0 à 5 g
Gamme du poids de la cellule de lecture.....	de 6 à 10 g
Poids de la coquille.....	9 g

GENERALITES:

Alimentation électrique.....	115V-60 Hz/230V-50 Hz
Consommation.....	15 watts
Dimensions.....	450 x 152 x 352 mm
Poids.....	12,3 kg

Les spécifications peuvent changer sans préavis. Le poids et les dimensions indiqués sont approximatifs.

Introduzione

Complimenti per l'acquisto di questo giradischi professionale a comando diretto ed a alta coppia motrice Gemini SA-2400. Questo giradischi d'avanguardia ha incorporato i componenti più recenti nella tecnologia dei giradischi a trazione diretta. Prima dell'uso leggere attentamente tutte le istruzioni.

Caratteristiche principali

- Velocità controllata al quarzo
- Controllo pitch +/- 10%
- Arresto completamente elettronico
- Spia stroboscopio
- Interruttore soft-touch start/stop
- Reverse
- Display Digitale

Precauzioni

1. Leggere attentamente queste istruzioni prima di usare il giradischi.
2. L'apparecchiatura non va esposta a infiltrazioni o spruzzi. Non appoggiare alcun oggetto contenente liquidi sull'apparecchiatura.
3. Per evitare scosse elettriche non aprire l'unità. **INTERNAMENTE NON CI SONO COMPONENTI SOSTITUIBILI DALL'UTENTE.** Per le riparazioni rivolgersi al Reparto assistenza della Gemini o al rivenditore autorizzato e consultare un tecnico qualificato.
4. I cuscinetti del braccio sono montati e sigillati dalla fabbrica. Qualsiasi tentativo di regolazione invaliderà la garanzia.
5. Non inserire la spina prima, di effettuare i collegamenti.
6. I cavi dovrebbero essere a bassa capacità, schermati e di lunghezza adeguata. Accertarsi che tutte le spine e i jack siano ben fissati e correttamente collegati.
7. Iniziare sempre con i controlli del livello del volume/fader impostati al minimo e il controllo/i del volume dell'altoparlante su OFF. Attendere 8/10 secondi prima di alzare il volume dell'altoparlante per evitare "POP" transitori che potrebbero causare un danno al crossover/altoparlante.
8. Evitare di esporre l'unità alla pioggia o all'umidità.
9. Non usare detergenti spray o lubrificanti su qualsiasi comando e interruttore.

Lista dei componenti

Unità giradischi.....	1
Piatto portadischi.....	1
Tappetino di neoprene.....	1
Cappa.....	1
Perni parapolvere.....	2
Adattatore 45 giri.....	1
Contrappeso.....	1
Fonorivelatore.....	1

Montaggio e regolazione

NOTA: VEDERE FIG. 1 (PAGINA 1) PER I NUMERI DEI COMPONENTI E LA DISPOSIZIONE.

INSTALLAZIONE PORTADISCHI:

1. Mettere la **BASE DEL GIRADISCHI - TURNTABLE BASE (1)** su di una superficie piana e stabile senza vibrazione. Cercare di installare l'unità il più distante possibile dagli altoparlanti. Tenere l'unità distante dalla luce solare diretta, da fonti di calore, dall'umidità o dalla sporcizia. Consentire una buona circolazione d'aria. Usare i piedini del giradischi per stabilizzarlo orizzontalmente.
2. Regolare il **SELETTORE VOLTAGGIO - VOLTAGE SELECTOR (3)** (collocato nella **BASE DEL GIRADISCHI**) nel voltaggio corretto.

AVVERTENZA: Se si tenta di far funzionare il GIRADISCHI con il voltaggio scorretto, il giradischi potrà danneggiarsi.

3. Dopo aver rimosso l'imballaggio, posizionare con cura il **PIATTO PORTADISCHI - PLATTER (2)** sul centro dell'asse della **BASE DEL GIRADISCHI - TURNTABLE BASE (1)**.
4. Collocare il **TAPPETINO DI NEOPRENE - NEOPRENE MAT (4)** sul **PIATTO PORTADISCO - PLATTER (2)**.

INSTALLAZIONE CARTUCCIA: (VEDERE FIG. 2)

Dal momento che tutte le cartucce hanno un proprio design, per una corretta installazione si consiglia di far riferimento alle relative istruzioni.

1. Collegare i conduttori ai terminali della cartuccia. Per praticità, i terminali della maggior parte delle cartucce hanno colori codificati. Collegare ciascun conduttore con il terminale del medesimo colore.
 - Bianco (L+).....Canale sinistro+
 - Blu (L-).....Canale sinistro-
 - Rosso (R+).....Canale destro+
 - Verde (R-).....Canale destro-
2. Montate la cartuccia nel **FONORIVELATORE - HEADSHELL (5)** e fissatela con le viti in dotazione con la cartuccia.

INSTALLAZIONE DEL FONORIVELATORE:

Inserire il **FONORIVELATORE - HEADSHELL (5)** nella parte anteriore del **BRACCIO - TONE ARM (6)** tubolare. Mentre si tiene saldamente il **FONORIVELATORE** in posizione orizzontale, girare in senso antiorario il **CONTRODADO - LOCKING NUT (7)** finché il **FONORIVELATORE** è posizionato. Il fonorivelatore angolato Gemini va usato con un braccio dritto. Su questo fonorivelatore Gemini si può montare qualsiasi cartuccia.

USO DEL BRACCIO DRITTO:

Quando si usa un braccio dritto con una punta a banana o una cartuccia montata su un fonorivelatore standard, usare sempre un ago di tipo conico. Se si usa un ago ellittico, esso appoggerà correttamente sul solco del disco ma un canale risulterà più sonoro dell'altro.

Il braccio dritto Gemini è stato progettato in modo da allinearsi con i segni sull'LPs fatti utilizzando un giradischi con braccio a S.

INSTALLAZIONE CONTRAPPESO: (VEDERE FIG. 3)

1. Far scivolare il **CONTRAPESO - COUNTERWEIGHT (8)** sulla parte posteriore del **BRACCIO - TONE ARM (6)**, con il calibro numerato della puntina di fronte.
2. Girare un poco il **CONTRAPPESO - COUNTERWEIGHT (8)** in senso antiorario, per avvitarlo sulla parte posteriore del **BRACCIO - TONE ARM (6)**.

REGOLAZIONE BILANCIAMENTO ZERO (0) ORIZZONTALE E PRESSIONE DELLA PUNTINA:

1. Senza toccare la puntina, rimuovere la protezione della puntina (se la cartuccia ne ha una staccabile).
2. Rilasciare il **FERMA-BRACCIO - ARM CLAMP (9)** e mettere fuori il **BRACCIO - LOCKING NUT (7)** dal **PORTABRACCIO - ARM REST (10)**.
3. Spostando in senso antiorario il **CONTRAPPESO - COUNTERWEIGHT (8)** il **BRACCIO - TONE ARM (6)** si abbasserà e in senso orario si avrà un movimento opposto. Girare in senso orario o antiorario il **CONTRAPPESO** fino ad avere il bilanciamento orizzontale del **BRACCIO**. Questo può essere facilmente evidenziato osservando il punto in cui il **BRACCIO** "fluttua" liberamente.
4. Posizionare il **BRACCIO - TONE ARM (6)** sul **PORTABRACCIO - ARM REST (10)** e bloccarlo in posizione con il **FERMA-BRACCIO - ARM CLAMP (9)**.
5. Con il **BRACCIO - TONE ARM (6)** bloccato sui **PORTABRACCIO - ARM REST (10)** tenere saldamente con una mano il **CONTRAPPESO - COUNTERWEIGHT (8)** mentre si ruota l'**ANELLO DI PRESSIONE DELLA PUNTINA - STYLUS PRESSURE RING (11)** finché il numero "0" sull'anello è allineato con la linea centrale dell'asta posteriore del **BRACCIO**. In questo modo si è effettuato la regolazione del bilanciamento zero (0) orizzontale.

- Sospendere di nuovo il braccio per ottenere il bilanciamento zero (0) orizzontale. Se non è stato mantenuto il bilanciamento zero (0) orizzontale ripetere i punti 3-5 del contrappeso.
- Dopo aver regolato il bilanciamento zero (0) orizzontale, girare in senso antiorario il **CONTRAPPESO - COUNTERWEIGHT (8)** che è stato bilanciato finché sull'**ANELLO DI PRESSIONE DELLA PUNTINA - STYLUS PRESSURE RING (11)** appare il valore della pressione consigliata dal fabbricante allineata con la linea centrale dell'asta del **BRACCIO - TONE ARM (6)**.

REGOLAZIONE DEL CONTROLLO ANTISKATING:

Impostare il **CONTROLLO ANTI-SKATING - ANTI-SKATING CONTROL (12)** sullo stesso valore impostato per la pressione della puntina.

REGOLAZIONE DELL'ELEVAZIONE DEL BRACCIO:

L'elevazione del braccio è regolabile tra 0 e 6 mm. Per una accurata regolazione viene fornita una **SCALA DI ALTEZZA - HEIGHT SCALE (14)** (con incrementi di 0.5mm).

- Bloccare il braccio spostando la manopola di **BLOCCAGGIO - ARM LOCK (15)** all'esterno.
- Sulla Tavola A cercare l'elevazione della cartuccia e trovare la relativa scala di lettura.
- Girare l'**ANELLO DI REGOLAZIONE DELL'ELEVAZIONE - ARM HEIGHT ADJUSTMENT RING (13)** finché la linea di riferimento sull'anello è posizionata sulla corretta scala di lettura.
- Bloccare il braccio girando in senso orario la manopola di **BLOCCAGGIO - ARM LOCK (15)** fino a ottenere il bloccaggio.

TAVOLA A

Elevazione cartuccia (mm)	Scala di lettura
15	0
16	1
17	2
18	3
19	4
20	5
21	6

Per esempio, se l'elevazione della cartuccia è di 18.5mm, la linea di riferimento dell'**ANELLO DI REGOLAZIONE DELL'ELEVAZIONE DEL BRACCIO - ARM HEIGHT ADJUSTMENT RING (13)** dovrebbe essere posizionata fra 3 e 4 della **SCALA DI ELEVAZIONE - HEIGHT SCALE (14)**.

INSTALLAZIONE DELLA CAPP A:

- Colloca i cardini nella coperta o spolverina.
- Tenere in posizione la cappa, direttamente sopra il giradischi e far scivolare i perni nei sostegni installati sul retro del pannello.
- Sollevar e sempre la cappa prima di rimuoverlo.
- Evitare di aprire e chiudere la cappa quando il giradischi è in funzione. Questo può determinare vibrazioni e salti della puntina.

COLLEGAMENTI:

- Collegare la spina di alimentazione ad una presa appropriata.
- Consultare la Tavola A per i corretti collegamenti alle spine di uscita RCA e alla presa di terra. Assicurarsi che tutte le spine siano ben inserite nei jack appropriati (ingressi phono). Per ridurre il ronzio, assicurarsi che il capocorda sia ben collegato alla vite di terra.

TAVOLA B

CONNETTOR USCITA	MIXER O RICEVITORI
L (BIANCO)	PHONO CANALE L
R (ROSSO)	PHONO CANALE R
GND (Capocorda)	Vite GND

Istruzioni per il funzionamento

OPERAZIONI PRINCIPALI:

- Mettere un disco sul **TAPPETINO DI NEOPRENE - NEOPRENE MAT (4)** che poggia sul **PIATTO PORTADISCO - PLATTER (2)**.
- Selezionare la velocità desiderata abbassando il **PULSANTE SELETTORE DI VELOCITÀ - SPEED SELECTOR (18)** su 33 o 45 giri. Per la velocità di 78 giri, premere ambi **PULSANTE SELETTORI DI VELOCITÀ** su 33 ed 45 giri.
- Portare su 'ON' l'**INTERRUTTORE - POWER (16)**; si illuminano la spia dello stroboscopio (incorporato nell'**INTERRUTTORE** e l'indicatore di velocità (per la velocità selezionata).
- Rimuovere la protezione della cartuccia (se la cartuccia è protetta).
- Rilasciare il **FERMA-BRACCIO - ARM CLAMP (9)** che si trova sul **PORTABRACCIO - ARM REST (10)**.
- Spingere il **PULSANTE START STOP (17)**. Il **PIATTO PORTADISCO - PLATTER (2)** inizierà a girare.
- Portare la **LEVETTA ALZABRACCIO - CUE LEVER (19)** su "UP".
- Posizionare il braccio sopra la pista desiderata e spingere la **LEVETTA ALZABRACCIO - CUE LEVER (19)** su "DOWN". Il **BRACCIO - TONE ARM (6)** si abbasserà lentamente sul disco e inizierà la riproduzione.
- Alla fine della riproduzione, sollevare il **BRACCIO - TONE ARM (6)**, rimetterlo sul **PORTABRACCIO - ARM REST (10)** e fissarlo con il **FERMA-BRACCIO - ARM CLAMP (9)**.
- Se si desidera si può spegnere l'alimentazione portando l'**INTERRUTTORE - POWER (16)** su "OFF" o fermare il **PIATTO PORTADISCO - PLATTER (2)** spingendo il **PULSANTE START STOP (17)** usando l'arresto elettronico.

ARRESTO DELLA RIPRODUZIONE:

- Spingendo la **LEVETTA ALZABRACCIO - CUE LEVER (19)** su "UP" il **BRACCIO - TONE ARM (6)** si alzerà e si arresterà la riproduzione.
- Spingendo la **LEVETTA ALZABRACCIO** su "DOWN" il **BRACCIO - TONE ARM (6)** si abbasserà lentamente sul disco nel punto in cui la riproduzione è stata interrotta.

RIPRODUZIONE A 45 GIRI AL MINUTO:

- Quando si riproducono dischi a 45 giri con un foro centrale grande, posizionare prima l'**ADATTATORE 45** sul centro dell'asse.
- Assicurarsi che il **PULSANTE SELETTORE DI VELOCITÀ - SPEED SELECTOR (18)** 45 sia premuto e che la spia della velocità a 45 giri sia illuminata.

INDICATORI:

- Premere l'**INTERRUTTORE INDICATORI - TARGET LIGHT SWITCH (21)** così che l'**INDICATORE - TARGET LIGHT (22)** si metta in posizione e illumini la puntina.
- Per abbassare l'**INDICATORE** premerlo finché si arresta nell'alloggiamento.
- Quando non si usa, l'**INDICATORE** dovrebbe essere tenuto in posizione abbassata.

REGOLAZIONE DEL CONTROLLO PITCH:

- L'unità SA-2400 è dotata di un **CONTROLLO PITCH - PITCH CONTROL (24)** con **CONTROLLO AL QUARZO - QUARTZ LOCK (26)**. Quando il **CONTROLLO AL QUARZO** è attivato, il indicatore **LED - QUARTZ LOCK LED (25)** diventa VERDI e la velocità sarà esattamente di 33 1/3, 45 o 78 giri a seconda la velocità scelta senza riguardo della posizione del controllo pitch. Quando si attiva il **CONTROLLO AL QUARZO**, il **CONTROLLO PITCH** viene automaticamente disattivato.
- Quando il **CONTROLLO AL QUARZO** è disattivato, è possibile regolare il **CONTROLLO PITCH**. Quando il **CONTROLLO PITCH** non è in posizione centrale, il pitch può variare da +/-10% a seconda della posizione del **CONTROLLO PITCH**.

3. Spingere il pulsante **CONTROLLO AL QUARZO** per ripristinare la velocità esattamente a 33 1/3, 45 o 78 giri quando il **CONTROLLO PITCH** non è in posizione centrale. Disattivando il **CONTROLLO PITCH** verrà di nuovo ripristinata l'impostazione iniziale della velocità del piatto portadisco.
4. Il **PIATTO PORTADISCO - PLATTER (2)** è dotato di **UNA RIGA DI INDICATORI STROBOSCOPIO RPM - STROBE RPM INDICATOR STRIP (27)** (giri al minuto) e l'**INTERRUTTORE - POWER (16)** ha incorporato le **LUCI STROBOSCOPICHE - STROBE LIGHTS (28)**. Quando il **PIATTO PORTADISCO - PLATTER (2)** gira le **LUCI STROBOSCOPICHE** illuminano la **RIGA DI INDICATORI STROBOSCOPIO RPM**. La riga inferiore di puntini apparirà ferma quando il pitch è -3,3%. La seconda riga a partire dal basso apparirà ferma quando la velocità è esattamente 33 1/3, 45 o 78 giri a seconda del **PULSANTE SELETTORE DE VELOCITÀ - SPEED SELECTOR (18)** spinto. La terza riga di puntini a partire dal basso apparirà ferma quando il pitch è +3,3%. La riga superiore di puntini apparirà ferma quando il pitch è +7,2%.

PITCH BEND:

1. Premendo i **PITCH BEND (23)** il tono diventerà più alto o più basso senza cambiare la posizione della guida. Liberando i tasti, il tono diventerà di nuovo quello indicato dalla posizione della guida.

USO DEL PULSANTE REVERSE

1. Premete il pulsante **REVERSE (30)** per far girare il **PIATTO - PLATTER (2)** in senso inverso (il **REVERSE DEL - REVERSE LED (30A)** sarà illuminato durante la marcia in senso inverso). Premete il pulsante **REVERSA** una seconda volta per ritornare alla marcia normale.

DISPLAY DIGITALE:

1. Il **DISPLAY DIGITALE - DIGITAL DISPLAY (20)** indica **VELOCITÀ - SPEED (20A)**, **ATTIVAZIONE - PITCH SLIDE ACTIVATION (20B)**, **SONARE - PLAY (20C)**, **PAUSA - PAUSE (20D)**, **INDIETRO - REVERSE (20E)** ed **PERCENTUALE PITCH - PITCH PERCENTAGE (20F)**.

REGOLAZIONE DELL'ELEVAZIONE DEL BRACCIO:

1. Se la distanza pre-regolata con cui la **LEVETTA ALZABRACCIO - CUE LEVER (19)** solleva la puntina dalla superficie del disco è inadeguata, può essere regolata girando la **VITE DI REGOLAZIONE DELL'ELEVAZIONE DEL BRACCIO - ARM-LIFT HEIGHT ADJUSTMENT SCREW (29)** mentre simultaneamente si spinge in giù il **BRACCIO - TONE ARM (6)**. La rotazione in senso orario della vite diminuirà la distanza mentre una rotazione in senso anti-orario l'accrescerà.

Specifiche Tecniche

GIRADISCHI:

Tipo.....Manuale, Trazione al Quartzo
 Sistema di trasmissione.....Trazione diretta
 Motore.....Motore 18V CD brushless
 Piattoportadisco.....Alluminio pressofuso 332 mm Dia.
 Velocità.....33 1/3, 45 o 78 giri al minuto
 Coppia d'avviamento.....2.2 Kg/cm
 Caratteristiche incorporate.....0.6 sec., arresto a 33 1/3 giri
 Sistema d'arresto.....Arresto elettronico
 Wow e flutter.....0.01% WRMS*

* Questi valori si riferiscono solo all'insieme del giradischi e del piatto portadisco e non includono quindi il carico dei dischi, della cartuccia e del braccio.

Rapporto segnale rumore.....78 dB (IEC 98A WTD)

BRACCIO:

Tipo.....Braccio universale tubolare dritto
 Lunghezza effettiva.....231.5 mm
 Campo regolazione elevazione braccio.....0 - 6 mm
 Sporgenza.....15.1 mm
 Mass. effettiva.....9 g (senza cartuccia)
 Angolo di deviazione.....22°
 Frizione.....Meno di 7 mg (laterale, verticale)
 Errore dell'angolo di tracciamento.....entro i 232' sulla pista esterna e entro 032' sulla pista interna di un disco di 30 cm (12")

Campo regolazione pressione puntina.....0 - 5 g
 Campo applicabile peso cartuccia.....6 - 10 g
 Peso fonorivelatore.....9 g

CARATTERISTICHE:

Alimentazione.....230V~50Hz
 Consumo.....15 Watts
 Dimensioni.....450mm x 152mm x 352 mm
 Peso.....12.3 kg

Le specifiche sono soggette a cambiamenti senza preavviso. Il peso e le dimensioni sono indicativi.

NOTES:



Gemini Sound Products Corp.
120 Clover Place P.O. Box 6928
Edison, NJ 08818-6928
732-738-9003 (Phone) • 732-738-9006 (Fax)



**In the USA: If you experience problems with this unit,
call 1-732-738-9003 for Gemini Customer Service.**

Do not attempt to return this equipment to your dealer.

Parts of the design of this product may be protected by worldwide patents.

Information in this manual is subject to change without notice and does not represent a commitment on the part of the vendor. Gemini Sound Products Corp. shall not be liable for any loss or damage whatsoever arising from the use of information or any error contained in this manual.

No part of this manual may be reproduced, stored in a retrieval system or transmitted, in any form or by any means, electronic, electrical, mechanical, optical, chemical, including photocopying and recording, for any purpose without the express written permission of Gemini Sound Products Corp.

It is recommended that all maintenance and service on this product is performed by Gemini Sound Products Corp. or its authorized agents.

Gemini Sound Products Corp. will not accept liability for loss or damage caused by maintenance or repair performed by unauthorized personnel.

**Worldwide Headquarters • 120 Clover Place, Edison, NJ 08837 • USA
Tel: (732) 738-9003 • Fax: (732) 738-9006**

France • G.S.L. France • 11, Avenue Leon Harmel, Z.I. Antony, 92160 Antony, France
Tel: + 33 (0) 1 55 59 04 70 • Fax: + 33 (0) 1 55 59 04 80

Germany • Gemini Sound Products GmbH • Ottostrasse 6, 85757 Karlsfeld, Germany
Tel: 08131 - 39171-0 • Fax: 08131 - 39171-9

UK • Gemini Sound Products • Unit C4 Hazleton Industrial Estate, Waterlooville, UK P08 9JU
Tel: 087 087 00880 • Fax: 087 087 00990

Spain • Gemini Sound Products S.A. • Rosello, 516, Barcelona, Spain, 08026
Tel: 349-3435-0814 • Fax: 3493-347-6961