



mellerware®

TRENDS FOR LIFE

# Marco Aldany

Precisione Beard Trimmer



complies with  
INTERNATIONAL  
IEC60335  
SAFETY SPECIFICATIONS



CE  
2 YEAR  
GUARANTEE

Model:  
MA20050

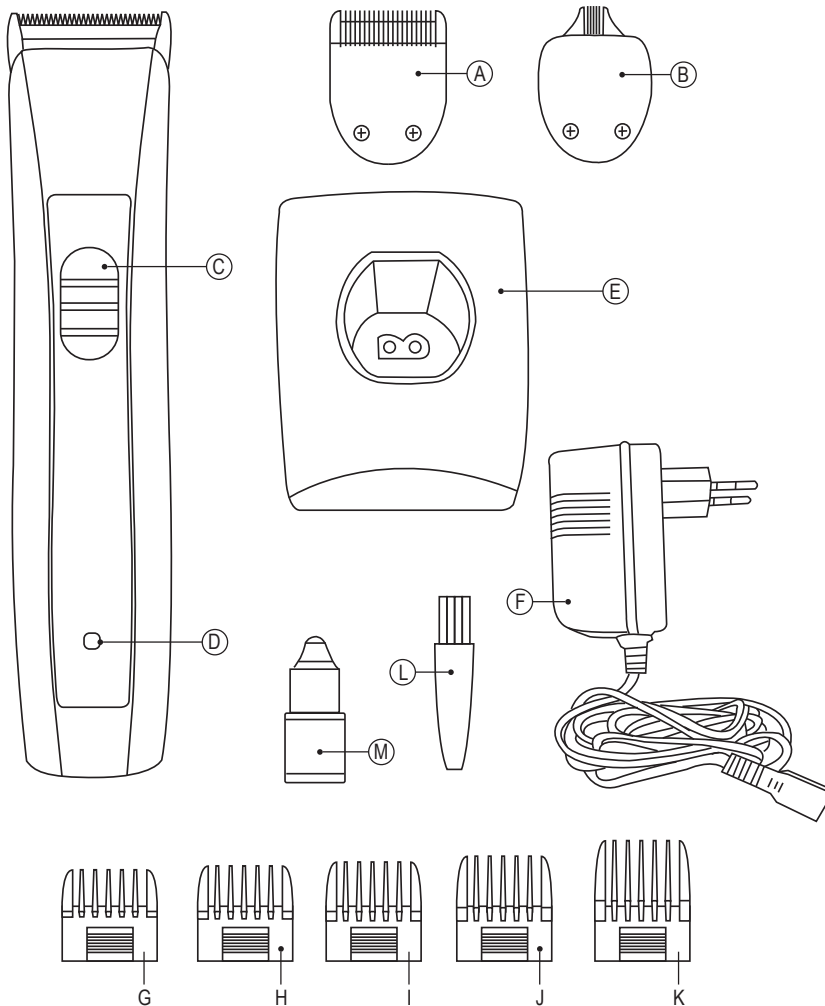
**PLEASE READ ALL INSTRUCTIONS BEFORE USE**





Dear customer,

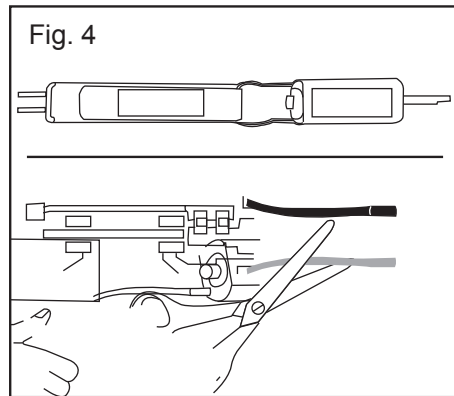
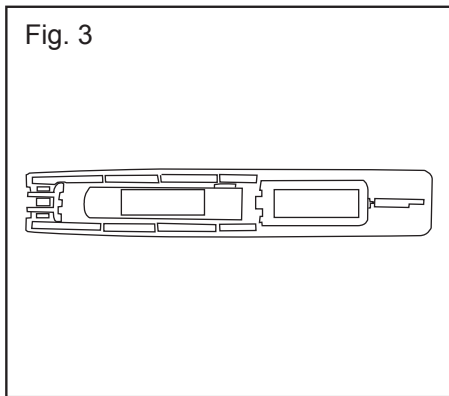
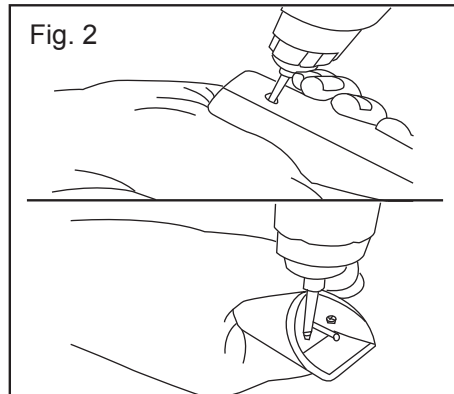
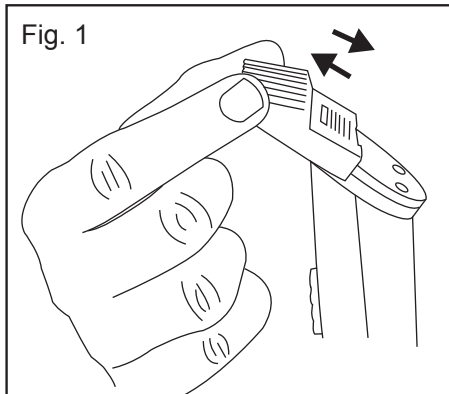
Many thanks for purchasing a MELLERWARE product. Thanks to its technology, design and operation and the fact that it goes through strict quality controls - we feel sure you will be entirely satisfied.



### Description

- |                                                 |                             |
|-------------------------------------------------|-----------------------------|
| A Interchangeable blade with 26mm cutting grade | H Comb guide #2             |
| B Interchangeable blade with 5mm cutting grade  | I Comb guide #3             |
| C On/Off switch                                 | J Comb guide #4             |
| D Charge-up battery indicator                   | K Comb guide #5             |
| E Charger                                       | L Cleaning brush            |
| F Adaptor                                       | M Bottle of lubricating oil |
| G Comb guide #1                                 |                             |





### Safety advice and cautions

Read these instructions carefully before switching on the appliance and keep them for future reference. Failure to follow and observe these instructions may result in an accident.

### Electric safety

- Do not use the appliance if the cable or plug is damaged.
- Ensure that the voltage indicated on the nameplate matches the mains voltage before plugging in the appliance.
- The appliance's plug must fit into the mains socket properly. Do not alter the plug. Do not use plug adaptors.
- Only use the appliance with the specified base / electric plug, provided with the appliance.
- If any of the appliance's casing breaks, immediately disconnect the appliance from the mains to

prevent the possibility of an electric shock.

- Do not use the appliance if it has fallen on the floor, if there are visible signs of damage or if it has a leak.
- **WARNING:** Keep the appliance dry.
- **WARNING:** Do not use the appliance near water.
- Do not use the appliance with damp hands or feet, or when barefooted.
- Do not force the electrical wire. Never use the electric wire to lift up, carry or unplug the appliance / charger.
- Ensure that the electric cable does not get trapped or tangled.
- Check the state of the electrical connection cable. Damaged or tangled cables increase the risk of electric shock.
- Do not touch the plug with wet hands.





### Personal safety:

- Take the necessary measures to avoid starting the appliance involuntarily.
- Before using the appliance ensure that the tool is properly fixed in place.
- Do not touch any of the appliance's moving parts while it is operating.

### Use and care:

- Fully unroll the appliance's power cable before each use.
- Do not use the appliance if the parts or accessories are not properly fitted.
- Do not use the appliance if joinable accessories are faulty. Replace them immediately.
- Do not use the appliance on wet hair.
- Do not use the appliance if the on/off switch does not work.
- If you use the appliance in a bathroom or similar place, unplug the appliance from the mains when it is not in use, even if it is only for a short while, as proximity to water involves a risk, even if the appliance is disconnected.
- Unplug the appliance from the mains when not in use and before undertaking any cleaning task, adjustment, charge-up or change of accessories.
- This appliance is not a toy. Children should be supervised to ensure that they do not play with the appliance.
- This appliance is intended for adult use. Ensure that this product is not used by the disabled, children or people unused to its handling.
- This appliance should be stored out of reach of children and/or the disabled.
- Do not use the appliance on pets or animals.
- Do not leave the appliance resting on surfaces when it is still switched on.
- This appliance was oiled during the manufacturing process. To maintain the appliance in good working conditions, we recommend that you oil the blades each time the appliance is cleaned, by placing some drops of oil on the ends of the blades and turning the appliance on for a few seconds.
- Any misuse or failure to follow the instructions for use renders the guarantee and the manufacturer's liability null and void.

### Charging the battery

Warning: The new battery does not come completely charged and must be charged up to the maximum before using the appliance for the first time.

- Charge the battery at room temperature between 4 and 40°C.
  - Connect the charger to the mains.
  - The time needed to charge completely is 14 hours approximately. Never try to overcharge the batteries (although it is recommended that the batteries are charged for 16 hours for the first time).
  - While the battery is charging, the pilot light will come on indicating that the charger is charging the battery. Instructions for use
- Please take the following precautions prior to use:
- Ensure that all packaging material has been removed from the product.
  - It is important to fully charge the batteries before using the product for the first time.
  - Adjust the appliance so that it will perform the function that you wish to use.

### Accessories:

- Interchangeable permanent blade with 26 mm grade cut: for areas of beard, side burns, nape of neck, etc.
- Interchangeable permanent blade with 5 mm grade cut: for small sections of the cut, this blade is ideal for shapes or raised outlines.
- Guiding combs: 5 guiding combs according to the choice of cut you want to carry out.

### Inserting a guide comb:

- Grasp the guide comb by both ends, and press it against the blades (Fig. 1).
- In order to extract the guide comb, simply pull it out. (Fig. 1).

### Use:

- The appliance can be plugged into the mains or used with batteries.
- Plug the appliance into the electric mains socket.
- Start the appliance by pressing the stop/go switch.

### How to cut hair

- Situate the person whose hair you are going to cut so that the top of their head is at your eye level. Place a protective towel or cloth around their neck.
- To obtain best results it is better to use the appliance on dry hair, as it is much easier to control the hair and the result.
- Comb hair well before cutting. Make sure that there are no tangles or knots.
- Hold the appliance in a calm and relaxed manner in order to ensure maximum control of the cut and a uniform result. Proceed to use short cuts gradually





going around the head.

- Leave the hair a little longer than the desired length as it can always be altered later.
- While working adapt the comb/comb guide to the desired length.
- At regular intervals, stop cutting in order to comb the hair and check the results so far.

#### **Once you have finished using the appliance:**

- Turn the appliance off, using the on/off switch.
- Unplug the appliance from the mains if it was connected to the mains.
- Return the appliance to the charger if used with battery power.
- Clean the appliance.

#### **Cleaning:**

- Disconnect the appliance from the mains and allow it to cool before undertaking any cleaning task.
- Clean the device BODY with a damp cloth that has been administered a couple of drops of detergent. Dry afterwards.
- Do not use solvents, or products with an acid or base pH such as bleach, or abrasive products, for cleaning the appliance.
- Clean the blades and the comb guides with the cleaning brush. Remove the hairs from the blades and from within the appliance using the brush. It is important to clean off all the hairs after each use.
- If the appliance is not kept in a clean condition, its surface can deteriorate and badly affect the product's shelf life, provoking a potentially dangerous situation.

#### **Anomalies and repair**

- Take the appliance to an authorised technical support service if problems arise. Do not try to dismantle or repair without assistance, as this may be dangerous.
- If the connection to the mains has been damaged, it must be replaced and you should proceed as you would in the case of damage.

#### **Ecology and recyclability of the product**

- The materials of which the packaging of this appliance consists are included in a collection, classification and recycling system. Should you wish to dispose of them, use the appropriate public containers for each type of material.
- The product does not contain concentrations of substances that could be considered harmful to the environment. - This symbol means that; should you

wish to dispose of the product once its working life has ended, take it to an authorised waste agent for the selective collection of Waste from Electric and Electronic Appliances (WEEA).

- The product may include a battery or batteries; the user must remove them before disposing of the product. Remember that batteries must be disposed of in duly authorised containers. Do not dispose of them in fire.

#### **How to remove the batteries from the inside of the appliance:**

**Warning:** It's important that the batteries are completely de-charged before removing from the appliance.

#### **To remove the batteries once the appliance life has come to an end, follow the instructions:**

- Open the bottom outside casing of the appliance, removing the screw that keeps everything in position beforehand. Remove the blade, extracting the two screws that are located on the upper part of the bottom outside casing (Fig 2).
- Remove the upper casing of the appliance (Fig. 3).
- Locate the battery and cut the wires (red and black). To minimize the risk of short-circuiting the appliance with the possible residual battery charge, first cut the red wire and protect its conductive part with insulating tape. Next, cut the black wire in the same way (Fig 4).
- Safely remove the battery from where it is kept.

#### **Characteristics:**

- Degree of protection: IPX0
- Acoustic pressure level: < 60dB(A)

**NB:** These characteristics can be subject to change without prior warning, for the purpose of improvements made to this product.

This appliance complies with Directive 2006/95/EC on Low Voltage and Directive 2004/108/EC on Electromagnetic Compatibility.









**creative housewares**

27 Nourse Avenue Epping 2 Cape Town  
P.O. Box 975 Eppindust 7475 South Africa  
Tel: +27 21 534 8114 Fax: +27 21 534 8086  
Service Centre Share Call: 086 111 5006  
web: [www.creativehousewares.co.za](http://www.creativehousewares.co.za)

