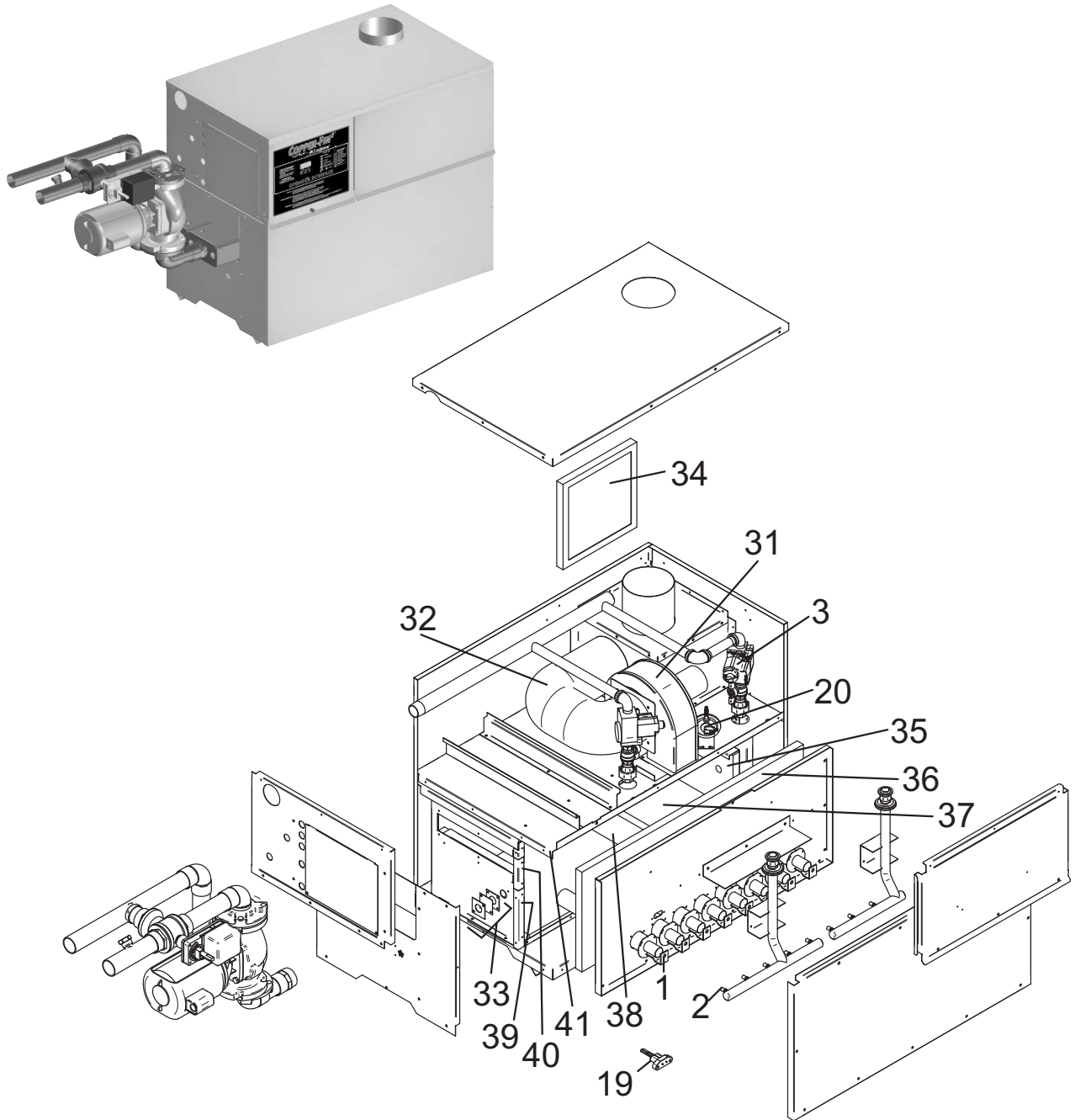




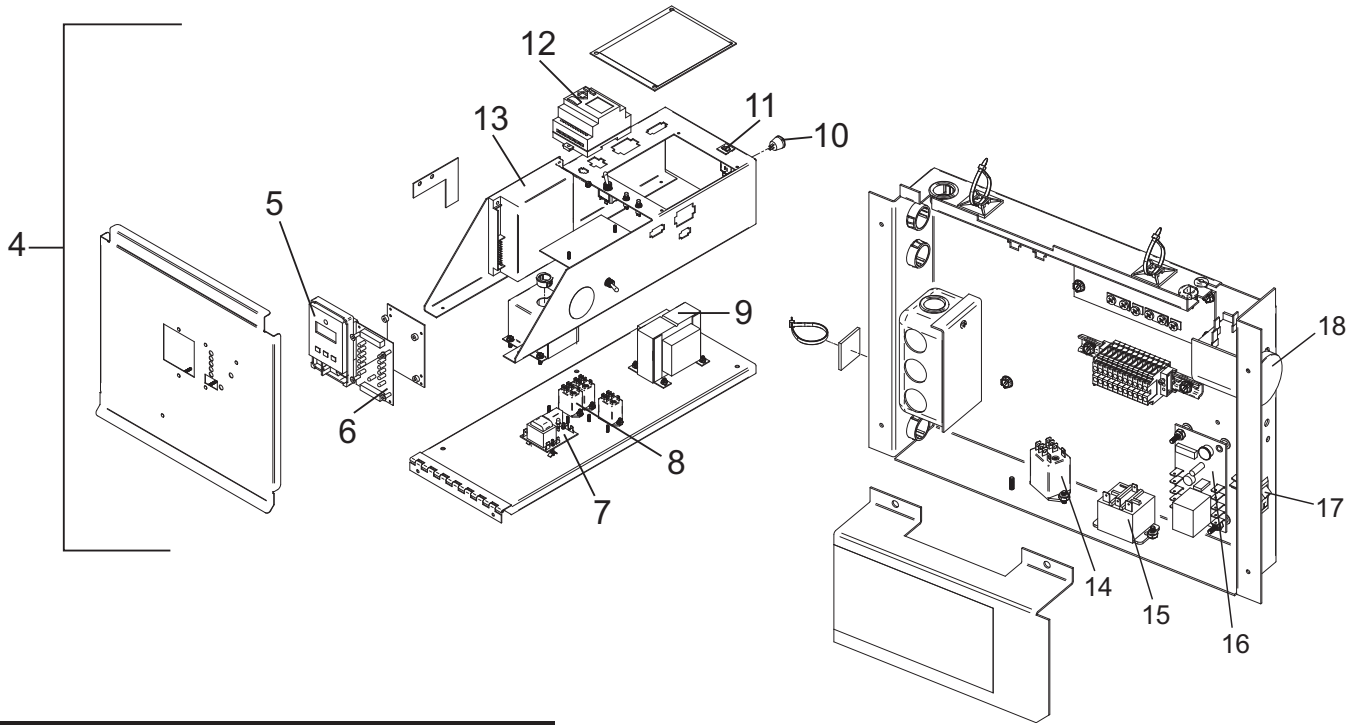
PARTS AND SERVICE DEPARTMENT
 Nashville, Tennessee
 615-889-8900 • Fax: 615-547-1000
 www.Lochinvar.com

Replacement Parts List

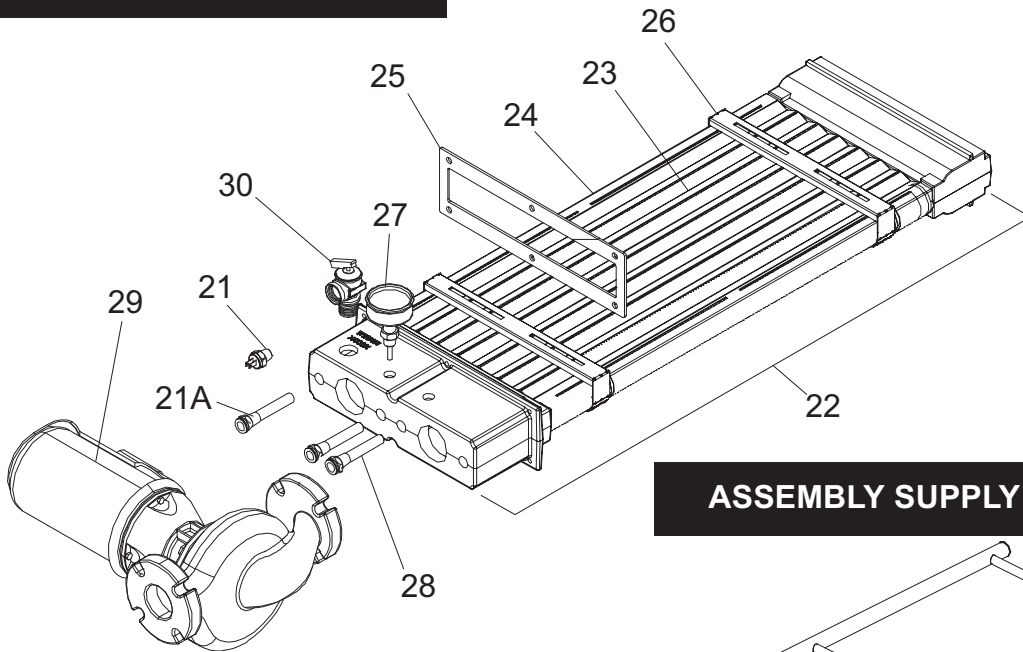
Copper-Fin²[®]
Commercial Pool Heaters
CP 501 - 751



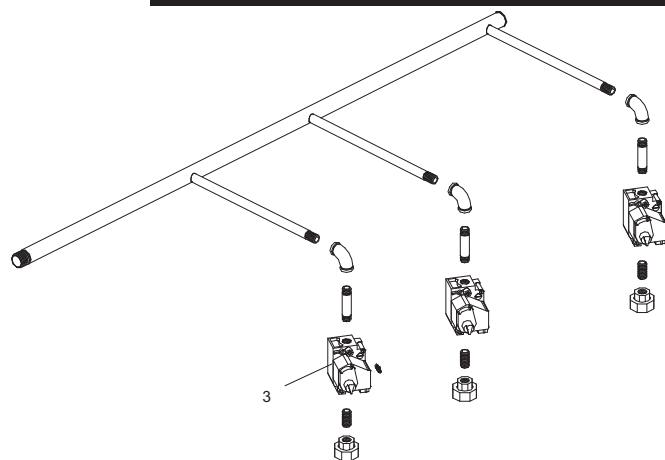
CONTROL PANEL



HEAT EXCHANGER ASSEMBLY



ASSEMBLY SUPPLY MANIFOLD



ITEM NO.	PART NO.	DESCRIPTION	MODEL NO.	
BURNERS				
1	BNR3417 IS MAIN BURNER BNR3416 IS MAIN BURNER W/ BARB PRESSURE TAP.	Model	BNR3416	BNR3417
		501	1 ea	9 ea
		651	1 ea	12 ea
		751	1 ea	14 ea
GAS TRAIN ASSEMBLIES				
2	ORF2050	NATURAL GAS ORIFICE	CPN501-751	
2	ORF2051	LP GAS ORIFICE	CPL501-751	
3	VAL2412	NATURAL GAS VALVE ASSEMBLY	CPN501-751	
3	VAL2413	LP GAS VALVE ASSEMBLY	CPL501-751	
CONTROLS & GAUGES				
4	PAN3021	COMPLETE CONTROL PANEL BEGINNING SERIAL # F0600187510	ALL	
4	PAN3017	COMPLETE CONTROL PANEL BEFORE SERIAL # F0600187510	ALL	
5	RLY2904	ELECTRONIC CONTROL BEGINNING SERIAL# F0600187510	ALL	
5	RLY2038	ELECTRONIC CONTROL BEFORE SERIAL# F0600187510	ALL	
6	RLY2044	DISPLAY BOARD	ALL	
7	WTR2530	LOW WATER CUTOFF, MANUAL RESET (OPTIONAL) PRIOR TO H08H00211366	ALL	
7	WTR30000	LOW WATER CUTOFF, MANUAL RESET (OPTIONAL) BEGINNING H08H00211366	ALL	
7	WTR2528	LOW WATER CUTOFF, AUTO RESET (OPTIONAL) PRIOR TO H08H00211366	ALL	
7	WTR30001	LOW WATER CUTOFF, AUTO RESET (OPTIONAL) BEGINNING H08H00211366	ALL	
-	WTR2532	LOW WATER CUTOFF PROBE (OPTIONAL) PRIOR TO H08H00211366	ALL	
-	WTR2222	LOW WATER CUTOFF PROBE (OPTIONAL) BEGINNING H08H00211366	ALL	
-	WTR2533	LOW WATER CUTOFF BOOT (OPTIONAL) PRIOR TO H08H00211366	ALL	
-	WTR20000	LOW WATER CUTOFF BOOT (OPTIONAL) BEGINNING H08H00211366	ALL	
8	RLY2903	24V RELAY	ALL	
9	TRF2010	TRANSFORMER 120VA	ALL	
10	SWT2004	SWITCH	ALL	
11	MSC2465	CIRCUIT BREAKER 5 AMP	ALL	
12	RLY3058	RELAY/ PUMP	ALL	
13	RLY2402	IGNITION MODULE	ALL	
14	RLY2051	RELAY/ 10AMP	ALL	
15	RLY2708	RELAY / 24VAC	ALL	
16	RLY2714	ADJUSTABLE RELAY - OPTIONAL	ALL	
17	SWT2006	SWITCH, ON/ OFF	ALL	
18	HLC2702	MANUAL RESET HIGH LIMIT	ALL	
19	PLT3400	HOT SURFACE IGNITOR	ALL	
20	PRS2421	AIR PRESSURE SWITCH BEFORE SERIAL # A04	ALL	
20	PRS2424	AIR PRESSURE SWITCH BEGINNING SERIAL # A04	ALL	
21	HLC2510	HIGH LIMIT BEFORE SERIAL # F0600187510	ALL	
21A	TST2300	EMMEN BULB WELL BEGINNING SERIAL # F0600187510	ALL	
-	TST2313	TEMPERATURE SENSOR, INLET/ OUTLET - NOT SHOWN	ALL	
-	HLC2503	SWITCH, HIGH LIMIT, 110 DEGREES	ALL	
HEAT EXCHANGER				
22	HEX3012	HEAT EXCHANGER HLW (AFTER SERIAL F00)	501	
22	HEX3013	HEAT EXCHANGER HLW (AFTER SERIAL F00)	651	
22	HEX3014	HEAT EXCHANGER HLW (AFTER SERIAL F00)	751	
22	HEX3016	HEAT EXCHANGER CUPRO NICKEL HLW (AFTER SERIAL F00)	401	
22	HEX3017	HEAT EXCHANGER CUPRO NICKEL HLW (AFTER SERIAL F00)	501	
22	HEX3018	HEAT EXCHANGER CUPRO NICKEL HLW (AFTER SERIAL F00)	651	
22	HEX3019	HEAT EXCHANGER CUPRO NICKEL HLW (AFTER SERIAL F00)	751	
22	HEX3402	HEAT EXCHANGER H (BEFORE SERIAL F00)	501	
22	HEX3403	HEAT EXCHANGER H (BEFORE SERIAL F00)	651	
22	HEX3404	HEAT EXCHANGER H (BEFORE SERIAL F00)	751	
22	HEX3442	HEAT EXCHANGER H CUPRO NICKEL (BEFORE SERIAL F00)	501	
22	HEX3443	HEAT EXCHANGER H CUPRO NICKEL (BEFORE SERIAL F00)	651	
22	HEX3444	HEAT EXCHANGER H CUPRO NICKEL (BEFORE SERIAL F00)	751	
23	JKD2252	V-BAFFLE (5 REQUIRED)	501	
23	JKD2253	V-BAFFLE (5 REQUIRED)	651	
23	JKD2254	V-BAFFLE (5 REQUIRED)	751	
24	JKD6450	V-BAFFLE FRAME RUNNER (2 REQUIRED)	501	
24	JKD6451	V-BAFFLE FRAME RUNNER (2 REQUIRED)	651	
24	JKD6452	V-BAFFLE FRAME RUNNER (2 REQUIRED)	751	
25	GKT2400	HEATSHIELD GASKET	ALL	
26	JKD6186	V-BAFFLE FRAME END	ALL	
27	GTP3000	TEMPERATURE GAUGE	ALL	

**NOTE: CP = POOL HEATER
PLEASE HAVE MODEL NUMBER AND SERIAL NUMBER WHEN ORDERING PARTS.**

ITEM NO.	PART NO.	DESCRIPTION	MODEL NO.
MISCELLANEOUS			
28	TST2301	THERMOSTAT BULB WELL BEFORE SERIAL # F0600187510	ALL
28	TST2305	THERMOSTAT BULB WELL BEGINNING SERIAL # F0600187510	ALL
29	ARM3044PABTE	PUMP COMPLETE	ALL
30	RLV2017	TEMPERATURE & PRESSURE RELIEF VALVE	ALL
31	FAN2010	FAN	ALL
32	MSC2078	TUBE, AIR INLET	ALL
-	MSC2079	BAND CLAMP (2) - NOT SHOWN	ALL
33	MSC3415	SIGHT GLASS KIT	ALL
-	PIP4030	PIPING LOOP 2 HORIZONTAL BEGINNING SERIAL# F0600187510	ALL
-	PIP4032	PIPING LOOP 2 VERTICAL BEGINNING SERIAL # F0600187510	ALL
-	PIP3013	PIPING LOOP 2 HORIZONTAL BEFORE SERIAL# F0600187510	ALL
-	PIP3015	PIPING LOOP 2 VERTICAL BEFORE SERIAL # F0600187510	ALL
-	VAL2125	BYPASS VALVE	ALL
-	WTR2080	FLOW SWITCH	ALL
34	FIL2075	FILTER	ALL
LOCH-HEAT™ TILE			
35	FIB2130	REAR HEAD SIDE	ALL
36	FIB2132	FRONT PANEL	501
36	FIB2133	FRONT PANEL	651
36	FIB2134	FRONT PANEL	751
37	FIB2502	BOTTOM RIGHT PANEL	501
37	FIB2503	BOTTOM RIGHT PANEL	651
37	FIB2504	BOTTOM RIGHT PANEL	751
38	FIB2806	BOTTOM DIVIDER PANEL	ALL
39	FIB2420	FRONT HEAD SIDE	ALL
-	FIB2505	BOTTOM CENTER PANEL - NOT SHOWN	651/751
40	FIB2402	BACK PANEL	501
40	FIB2403	BACK PANEL	651
40	FIB2404	BACK PANEL	751
41	FIB2502	BOTTOM LEFT PANEL	501
41	FIB2503	BOTTOM LEFT PANEL	651
41	FIB2504	BOTTOM LEFT PANEL	751
-	FIB2480	TOP PANEL - NOT SHOWN	501
-	FIB2481	TOP PANEL - NOT SHOWN	651
-	FIB2482	TOP PANEL - NOT SHOWN	751
-	FIB2261	INSULATION PAD - BACK - NOT SHOWN	501
-	FIB2262	INSULATION PAD - BACK - NOT SHOWN	651/751
-	FIB2263	INSULATION PAD - BACK - NOT SHOWN	ALL
NOTE: CP = POOL HEATER			
PLEASE HAVE MODEL NUMBER AND SERIAL NUMBER WHEN ORDERING PARTS.			